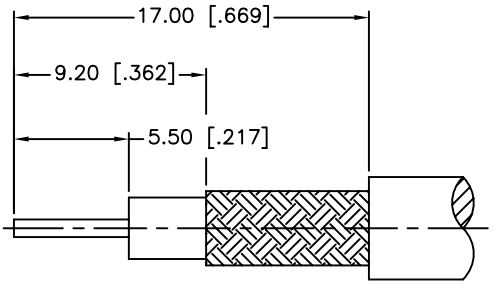
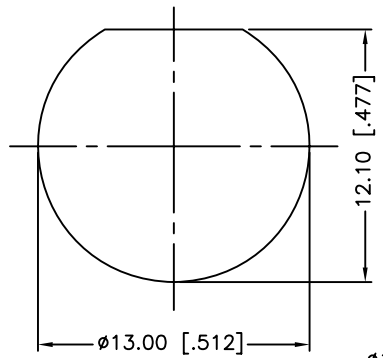


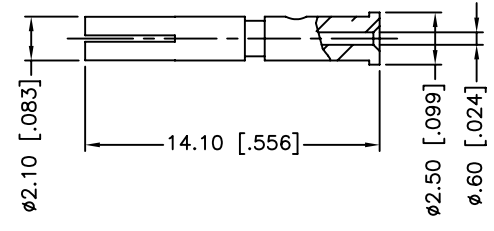
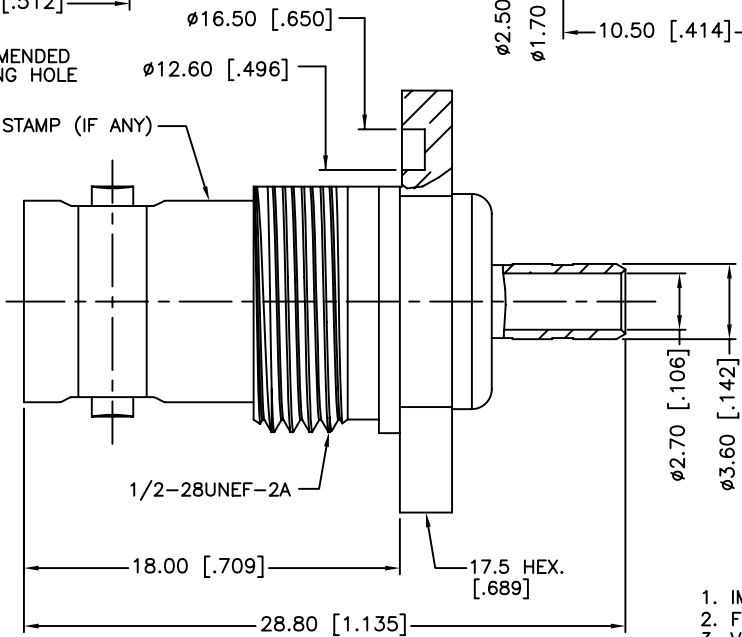
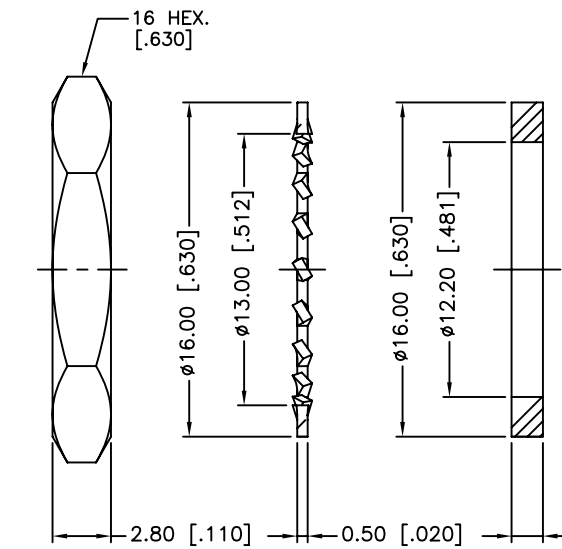
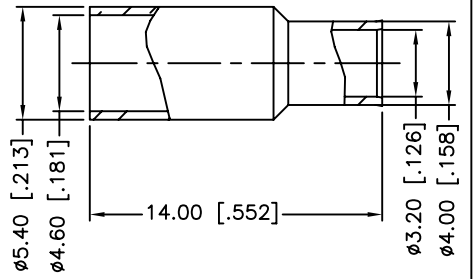
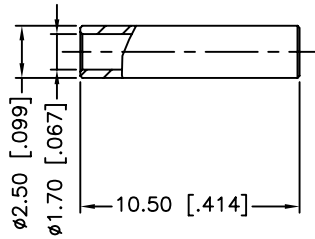
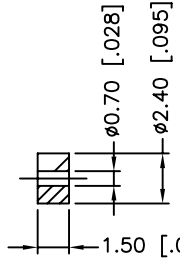
REV.	DATE	ECR NO.	DESCRIPTION
A	01/10/04	XXXXXX	UPDATE DRAWING FORMAT
B	02/16/12	2281	CHANGE THE DESIGN



RECOMMENDED CABLE STRIPPING DIM'S



RECOMMENDED MOUNTING HOLE



1. IMPEDANCE: 50 OHM
2. FREQUENCY RANGE: DC - 4 GHz
3. VSWR: 1.3 MAX.
4. DIELECTRIC WITHSTANDING VOLTAGE: 1500 VRMS, MIN.
5. DURABILITY: 500 CYCLES MIN.
6. TEMPERATURE RANGE: -65°C TO +165°C
7. CRIMPED FERRULE
HEX. CRIMP SIZE .178"
8. CRIMPED CONTACT PIN
HEX. CRIMP SIZE .068" OR TO SOLDER
9. MAX.PANEL THICKNESS=3.5mm

QTY	DESCRIPTION	MATERIAL	FINISH	QTY
11	INSULATOR	PTFE	NATURAL	1
10	FERRULE	BRASS	NICKEL	1
9	SLEEVE	BRASS	NICKEL	1
8	CONTACT PIN	PHOSPHOR BRONZE	GOLD	1
7	HEX NUT	BRASS	NICKEL	1
6	LOCK WASHER	BRASS	NICKEL	1
5	GASKET	RUBBER	RED	1
4	BARREL	BRASS	NICKEL	1
3	INSULATOR	PTFE	NATURAL	1
2	BODY	BRASS	NICKEL	1
1	HOUSING	BRASS	NICKEL	1

UNLESS OTHERWISE SPECIFIED DIMENSIONS ARE IN MILLIMETERS. DIMENSIONS IN [] ARE IN INCHES AND FOR CUSTOMER REFERENCE ONLY.

UNLESS OTHERWISE SPECIFIED TOLERANCES FOR MILLIMETERS ARE:
0.5 - 8mm ± 0.20mm
8 - 30mm ± 0.40mm
30 - 120mm ± 0.50mm

UNLESS OTHERWISE SPECIFIED TOLERANCES FOR INCHES ARE:
.020 - .315 = ± 0.007"
.315 - 1.180 = ± 0.015"
1.180 - 4.724 = ± 0.020"

DO NOT SCALE DRAWING

APPROVALS	DATE
DRAWN M.ZHANG	02/16/12
CHECKED	
ISSUED	
SHEET 1 OF 1	
CAD FILE C:/CONNEX/112517.DWG	

Amphenol Connex

**BNC BULKHEAD CRIMP JACK
(FOR RG-316U/D CABLE)**

PART NO. **112517**

DWG. NO. 112517.DWG REV. B SIZE A SCALE NA

Mouser Electronics

Authorized Distributor

Click to View Pricing, Inventory, Delivery & Lifecycle Information:

[Amphenol:](#)

[112517](#)