

KM2520SGC01

SUPER BRIGHT GREEN

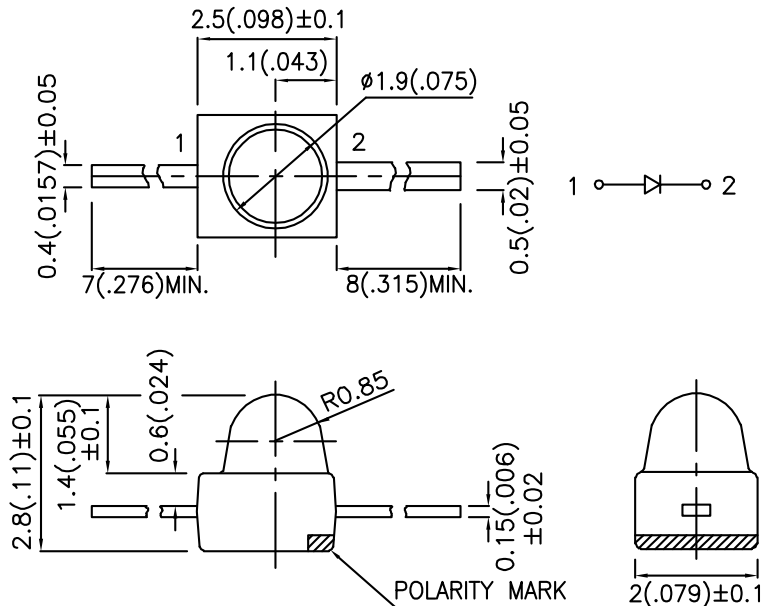
Features

- SUBMINIATURE PACKAGE.
- WIDE VIEWING ANGLE.
- LONG LIFE SOLID STATE RELIABILITY.
- LOW PACKAGE PROFILE.
- RoHS COMPLIANT.

Description

The Super Bright Green source color devices are made with Gallium Phosphide Green Light Emitting Diode.

Package Dimensions



Notes:

1. All dimensions are in millimeters (inches).
2. Tolerance is $\pm 0.25(0.01)$ unless otherwise noted.
3. Lead spacing is measured where the leads emerge from the package.
4. Specifications are subject to change without notice.

Selection Guide

| Part No. | Dice | Lens Type | Iv (mcd) @ 20mA | | Viewing Angle |
|-------------|--------------------------|-------------|--------------------|------|------------------|
| | | | Min. | Typ. | 2θ1/2 |
| KM2520SGC01 | SUPER BRIGHT GREEN (GaP) | WATER CLEAR | 36 | 80 | 20° |

Note:

1. θ1/2 is the angle from optical centerline where the luminous intensity is 1/2 the optical centerline value.

Electrical / Optical Characteristics at TA=25°C

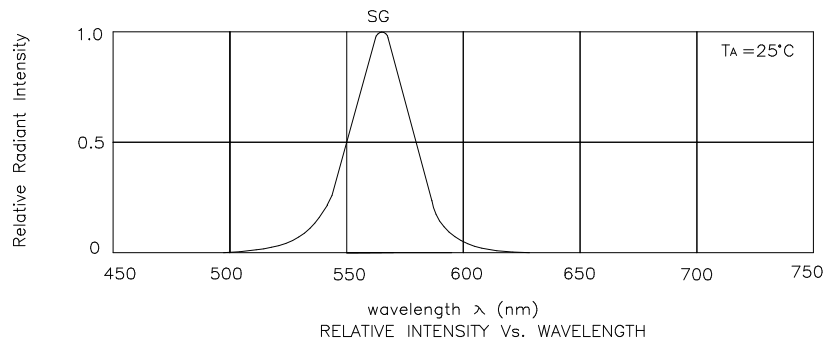
| Symbol | Parameter | Device | Typ. | Max. | Units | Test Conditions |
|-----------------------|--------------------------|--------------------|------|------|-------|-----------------|
| λ_{peak} | Peak Wavelength | Super Bright Green | 565 | | nm | IF=20mA |
| λ_D | Dominant Wavelength | Super Bright Green | 568 | | nm | IF=20mA |
| $\Delta\lambda_{1/2}$ | Spectral Line Half-width | Super Bright Green | 30 | | nm | IF=20mA |
| C | Capacitance | Super Bright Green | 15 | | pF | VF=0V;f=1MHz |
| VF | Forward Voltage | Super Bright Green | 2.2 | 2.5 | V | IF=20mA |
| IR | Reverse Current | Super Bright Green | | 10 | uA | VR= 5V |

Absolute Maximum Ratings at TA=25°C

| Parameter | Super Bright Green | Units |
|---------------------------------|---------------------|-------|
| Power dissipation | 105 | mW |
| DC Forward Current | 25 | mA |
| Peak Forward Current [1] | 140 | mA |
| Reverse Voltage | 5 | V |
| Operating / Storage Temperature | -40°C To +85°C | |
| Lead Solder Temperature [2] | 260°C For 3 Seconds | |
| Lead Solder Temperature [3] | 260°C For 5 Seconds | |

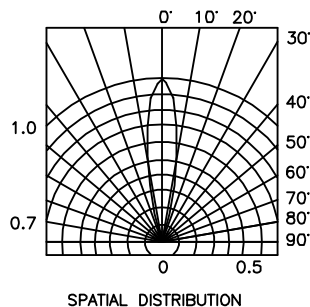
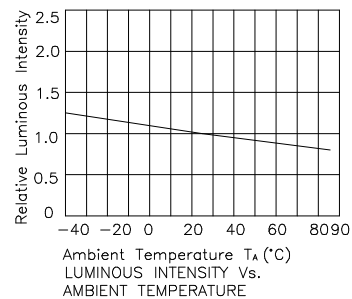
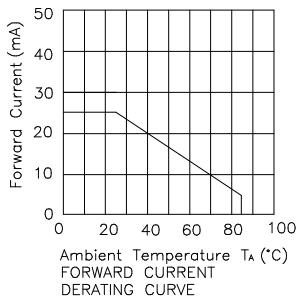
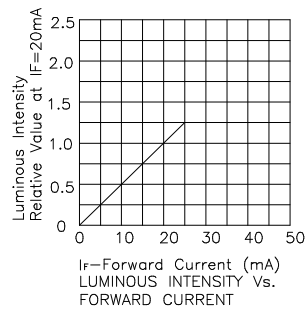
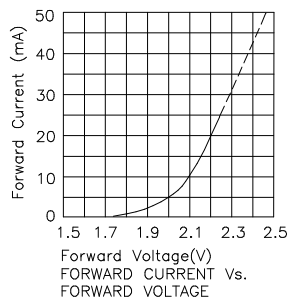
Notes:

1. 1/10 Duty Cycle, 0.1ms Pulse Width.
2. 2mm below package base.
3. 5mm below package base.



Super Bright Green

KM2520SGC01



Remarks:

If special sorting is required (e.g. binning based on forward voltage, luminous intensity, or wavelength), the typical accuracy of the sorting process is as follows:

1. Wavelength: +/-1nm
2. Luminous Intensity: +/-15%
3. Forward Voltage: +/-0.1V

Note: Accuracy may depend on the sorting parameters.