

# Thermocouple

# Type 289RS

Issue 11/21

**Applications:**

Thermocouple for screwing in with mini-connector  
(for special applications in the plastics industry)

**Degree of protection**

IP 54 acc. DIN EN 60 529

**Measuring range**

0...550°C (on plug max. 220°C)

**Thermo junction**

1x Typ J (FeCu-Ni) DIN EN 60584 (+ bl; - wh)

**Implementation of the measuring point**

not insulated from the protective tube

**Protective tube -  $\varnothing$** 

$\varnothing 6$  mm

**Protective tube material**

1.4571

**Installment length L**

14 / 24 / 90 mm

**Thread**

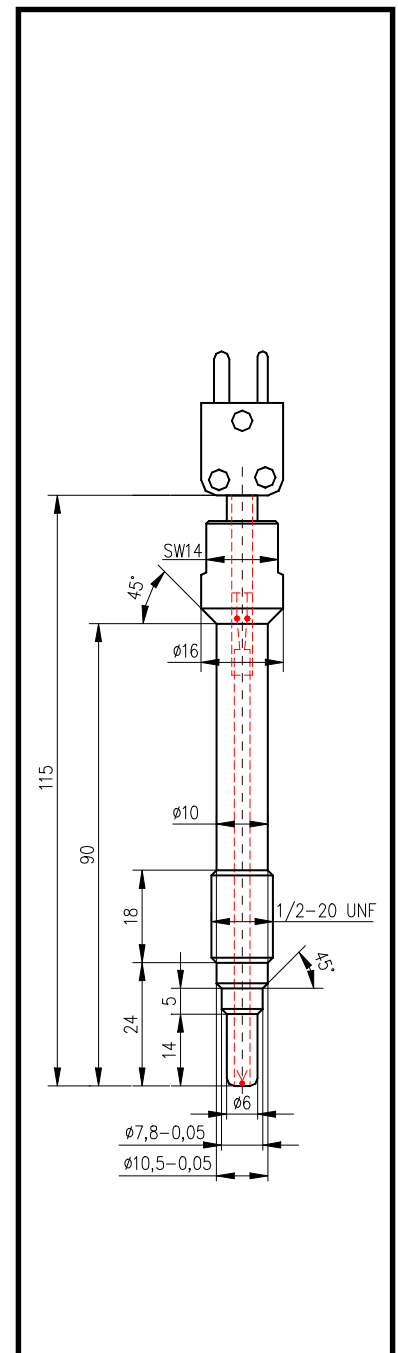
1/2-20UNF

**Connection**

mini connector

**Order example**

289-1J-1/2-20UNF



Subject to change without notice

**D- 99331 Geratal OT Geraberg, Gewerbepark 6**

**Tel: +49 (0) 3677 / 7956-0 // Fax: +49 (0) 3677 / 795 625**

**E-Mail: info@electrotherm.de**

**Internet: www.electrotherm.de**