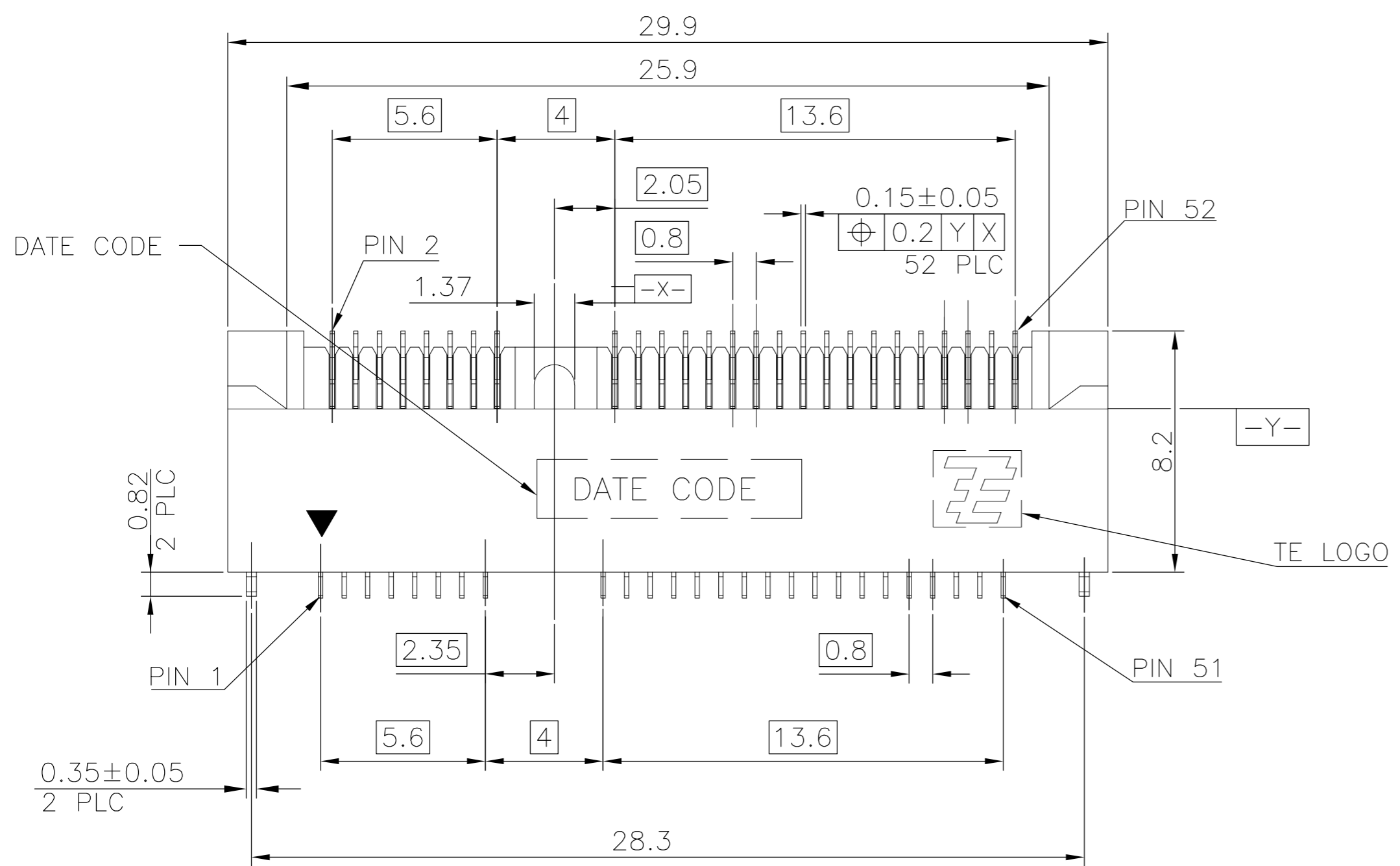
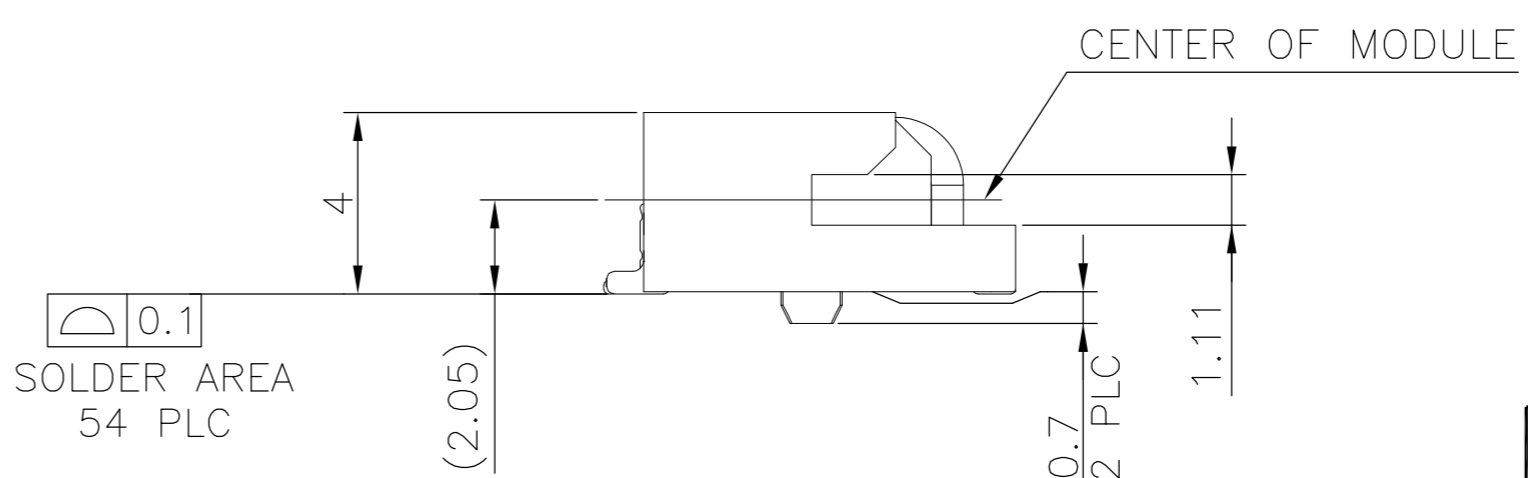
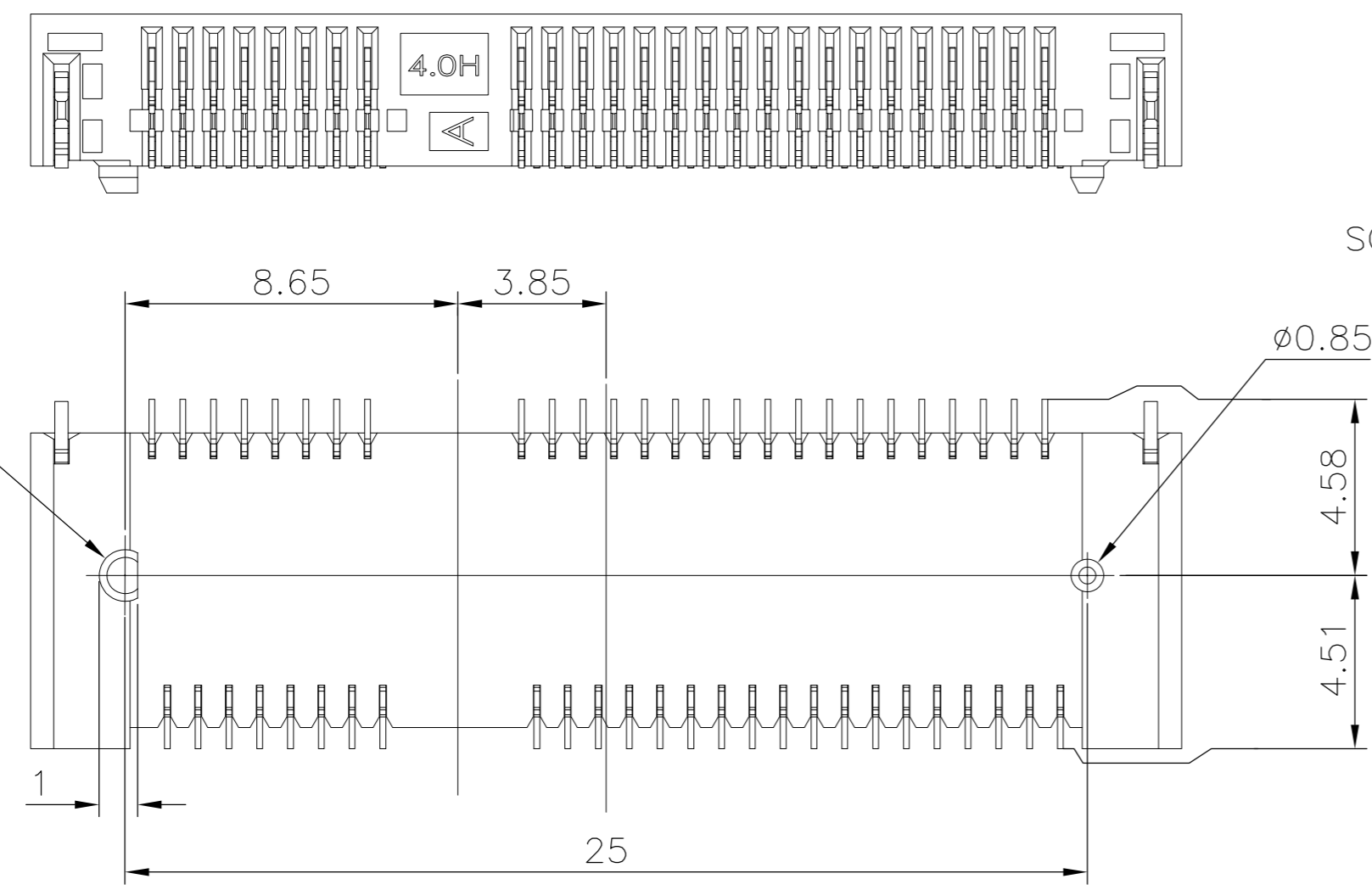
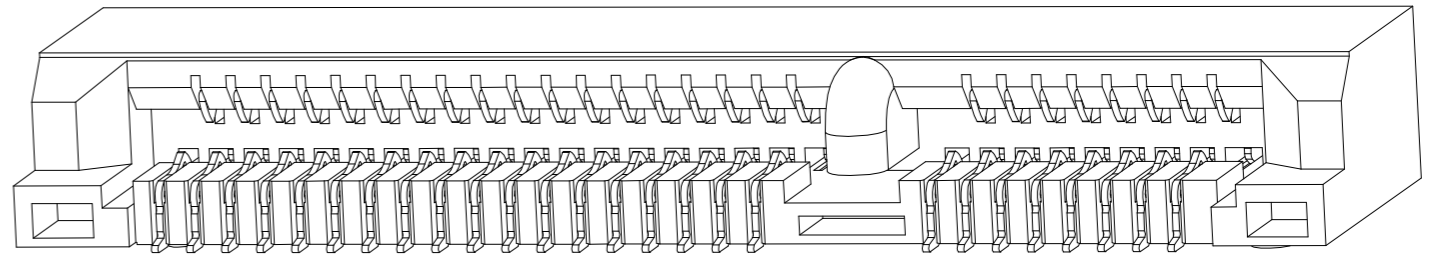


THIS DRAWING IS UNPUBLISHED. RELEASED FOR PUBLICATION  
 © COPYRIGHT 2012 BY TE CONNECTIVITY. ALL RIGHTS RESERVED.

REVISIONS					
P	LTR	DESCRIPTION	DATE	DWN	APVD
G		REVISED PER ECR-16-006365	01JUN16	DZ	SL



- NOTES:
- MATERIAL:  
 HOUSING: LCP WITH 30% GF, UL 94V-0, BLACK COLOR.  
 CONTACTS: PHOSPHOR BRONZE.  
 PEGS: BRASS.
  - FINISH:  
 CONTACTS: (SEE TABLE) GOLD PLATED ON CONTACT AREA, GOLD FLASH ON SOLDER AREA, WITH ENTIRE CONTACT UNDERPLATED 1.27µm [50µ"] MIN. NICKEL.  
 PEGS: 3.048µm [120µ"] MIN. MATTE-TIN OVER 1.27µm [50µ"] MIN. NICKEL.
  - REFLOW SOLDER CAPABLE TO 260° PER TEC-109-201, CONDITION B.
  - SUBSTANCE RESTRICTIONS FOR LOW HALOGEN (BY WEIGHT):
    - BROMINE (Br) ≤ 900 PPM (0.09%)
    - CHLORINE (Cl) ≤ 900 PPM (0.09%)
    - TOTAL CONCENTRATION OF CHLORINE (Cl) + BROMINE (Br) ≤ 1500 PPM (0.15%)

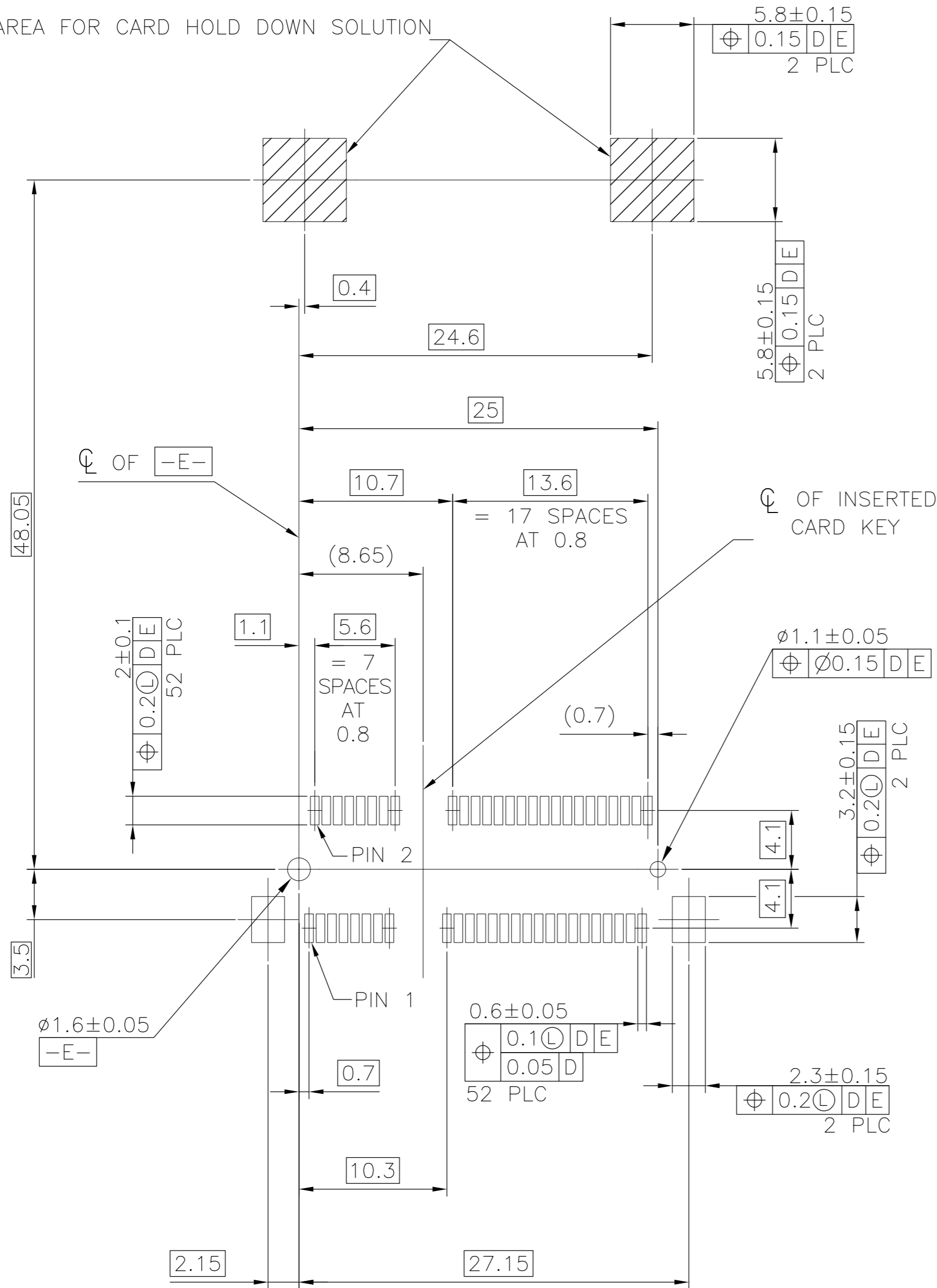


OBSOLETE	TYPE II	0.254µm [10µ"]	1-1775861-3
		GOLD FLASH	1-1775861-2
OBSOLETE	TYPE I	0.0762µm [5µ"]	1775861-4
		GOLD FLASH	1775861-2
OBSOLETE		0.254µm [10µ"]	1775861-1
	PACKING TYPE	MIN. GOLD THICKNESS	PART NUMBER

THIS DRAWING IS A CONTROLLED DOCUMENT.		DWN	A. WU	25SEP2009		TE Connectivity									
DIMENSIONS: mm		CHK	S. CHIEN	25SEP2009		NAME									
TOLERANCES UNLESS OTHERWISE SPECIFIED:		APVD	W. KODAMA	25SEP2009		PRODUCT SPEC									
0 PLC ± - 1 PLC ± 0.3 2 PLC ± 0.2 3 PLC ± - 4 PLC ± - ANGLES ± 3° FINISH -		APPLICATION SPEC		108-99102		RESTRICTED TO									
MATERIAL		WEIGHT		1.172 GRAMS	SIZE	A2	CAGE CODE	00779	DRAWING NO	C=1775861	SCALE	SHEET	1 of 4	REV	G
		CUSTOMER DRAWING													

REVISIONS					
P	LTR	DESCRIPTION	DATE	DWN	APVD
-	-	SEE SHEET 1	-	-	-

COMPONENT KEEP OUT AREA FOR CARD HOLD DOWN SOLUTION



-D- IS THE TOP SURFACE OF PCB.

RECOMMENDED P.C. BOARD PATTERN LAYOUT  
 (TOP VIEW)

### CONNECTOR PIN-OUT DEFINITIONS

PIN#	NAME	PIN#	NAME
51	RESERVED	52	+3.3Vaux
49	RESERVED	50	GND
47	RESERVED	48	+1.5V
45	RESERVED	46	LED_WPAN#
43	GND	44	LED_WLAN#
41	+3.3Vaux	42	LED_WWAN#
39	+3.3Vaux	40	GND
37	GND	38	USB_D+
35	GND	36	USB_D-
33	PETp0	34	GND
31	PETn0	32	SMB_DATA
29	GND	30	SMB_CLK
27	GND	28	+1.5V
25	PERp0	26	GND
23	PERn0	24	+3.3Vaux
21	GND	22	PERST#
19	RESERVED* (UIM_C4)	20	W_DISABLE#
17	RESERVED* (UIM_C8)	18	GND
MECHANICAL KEY			
15	GND	16	UIM_VPP
13	REFCLK+	14	UIM_RESET
11	REFCLK-	12	UIM_CLK
9	GND	10	UIM_DATA
7	CLKREQ#	8	UIM_PWR
5	COEX2	6	1.5V
3	COEX1	4	GND
1	WAKE#	2	3.3Vaux

\* RESERVED FOR FUTURE UIM INTERFACE (IF NEEDED)

THIS DRAWING IS A CONTROLLED DOCUMENT.		DWN	01JUN2016		
DIMENSIONS:		CHK	-		
mm		APVD	-		
TOLERANCES UNLESS OTHERWISE SPECIFIED:		PRODUCT SPEC			
0 PLC	± -	APPLICATION SPEC			
1 PLC	± -	-			
2 PLC	± -	-			
3 PLC	± -	-			
4 PLC	± -	-			
ANGLES	± -	-			
MATERIAL	FINISH	WEIGHT		-	
-	-	A2		CAGE CODE	00779
CUSTOMER DRAWING		DRAWING NO		C=1775861	
		SCALE		SHEET	2 of 4
				REV G	

REVISIONS					
P	LTR	DESCRIPTION	DATE	DWN	APVD
-	-	SEE SHEET 1	-	-	-

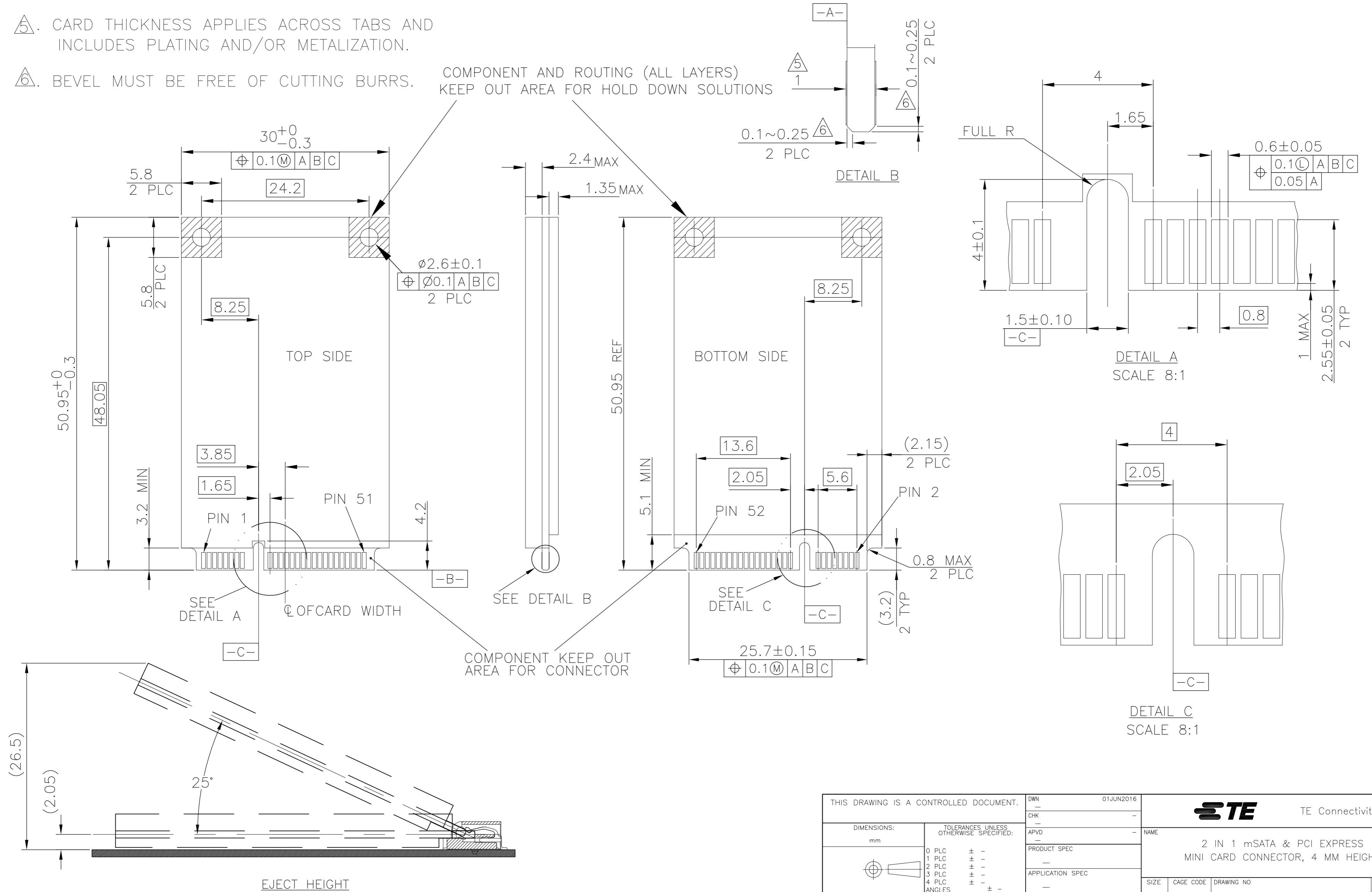
4. PCI EXPRESS MINI CARD, PCB THICKNESS 1 MM.

5. CARD THICKNESS APPLIES ACROSS TABS AND INCLUDES PLATING AND/OR METALIZATION.

6. BEVEL MUST BE FREE OF CUTTING BURRS.

COMPONENT AND ROUTING (ALL LAYERS) KEEP OUT AREA FOR HOLD DOWN SOLUTIONS

COMPONENT KEEP OUT AREA FOR CONNECTOR



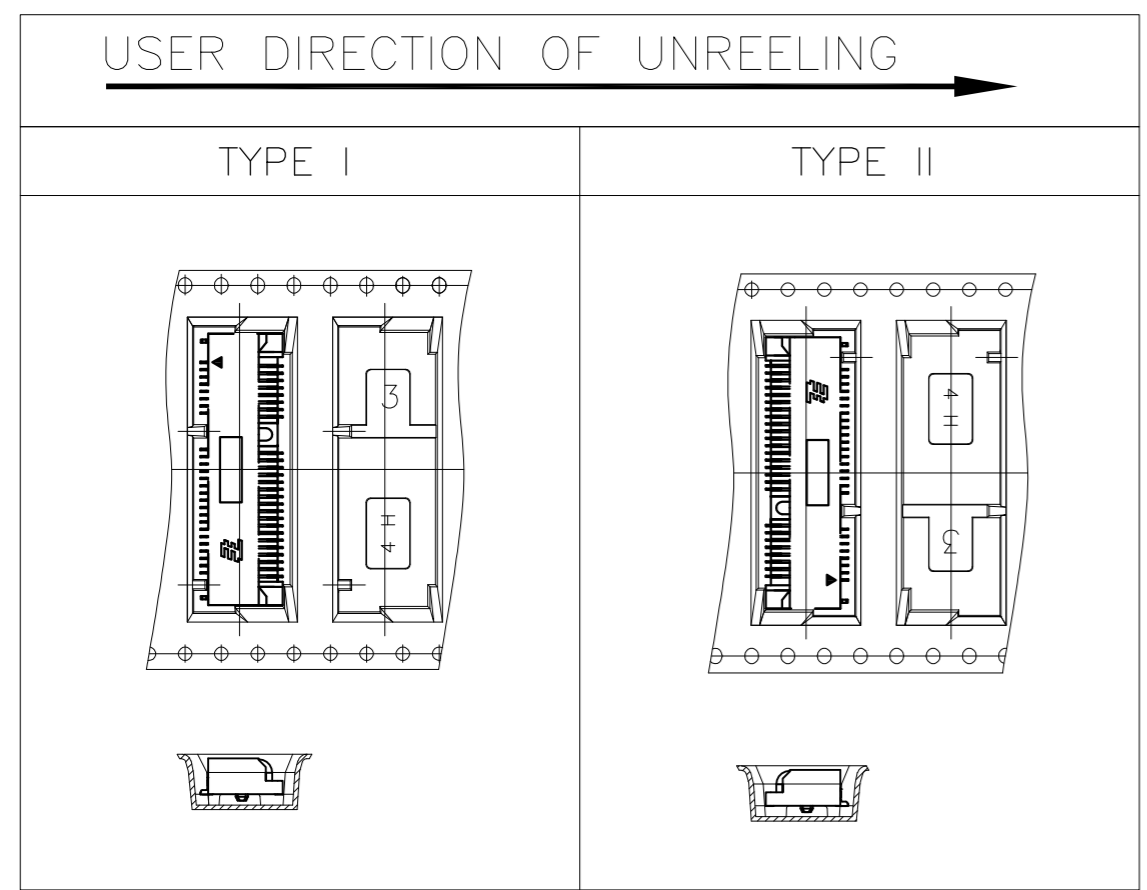
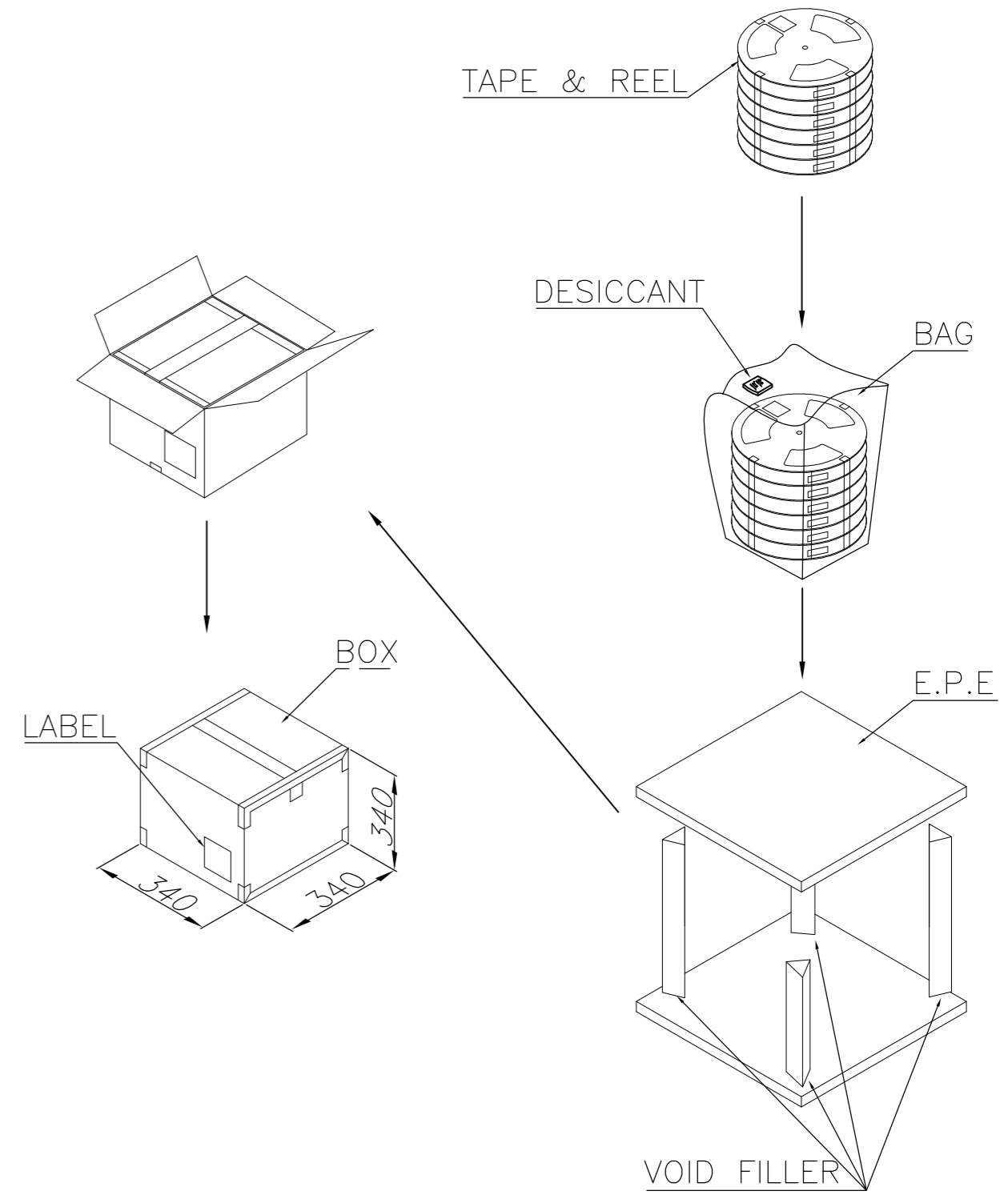
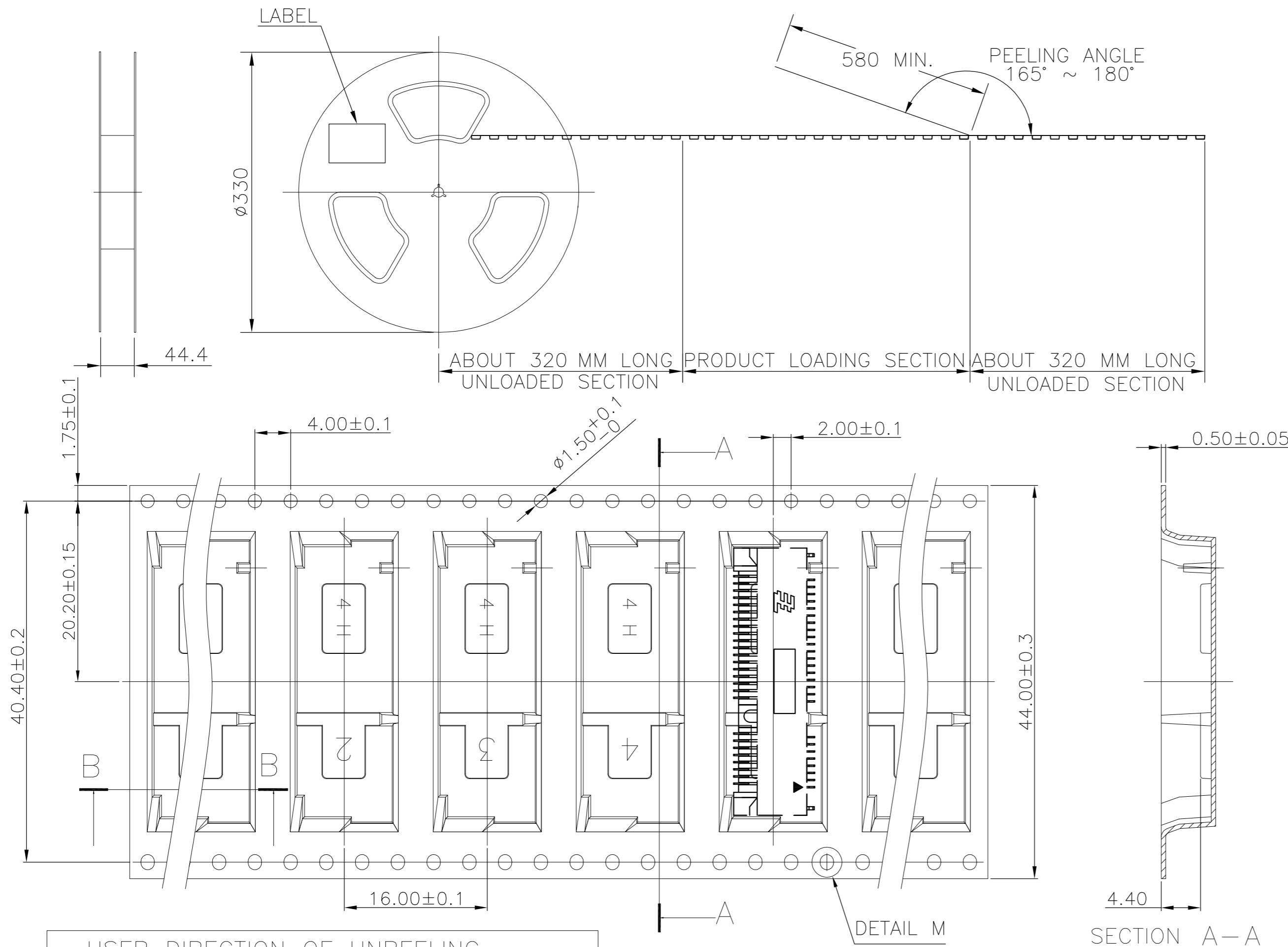
THIS DRAWING IS A CONTROLLED DOCUMENT.		DWN	01JUN2016			TE Connectivity	
DIMENSIONS: mm		CHK	-			NAME	
TOLERANCES UNLESS OTHERWISE SPECIFIED:		APVD	-		2 IN 1 mSATA & PCI EXPRESS MINI CARD CONNECTOR, 4 MM HEIGHT		
0 PLC	± -	PRODUCT SPEC	-		SIZE	CAGE CODE	DRAWING NO
1 PLC	± -	APPLICATION SPEC	-		A2	00779	C=1775861
2 PLC	± -	WEIGHT	-		RESTRICTED TO		
3 PLC	± -	CUSTOMER DRAWING	-		SCALE	SHEET	3 OF 4
4 PLC	± -		-		REV	G	
ANGLES	± -		-				
FINISH	-		-				

THIS DRAWING IS UNPUBLISHED. RELEASED FOR PUBLICATION  
 © COPYRIGHT 2012 BY TE CONNECTIVITY. ALL RIGHTS RESERVED.

REVISIONS					
P	LTR	DESCRIPTION	DATE	DWN	APVD
-	-	SEE SHEET 1	-	-	-

NOTES:

- MATERIAL:  
 BOX: FIBREBOARD, CORRUGATED, DOUBLE WALL.  
 COVER TAPE: POLYSTYRENES, TRANSPARENT COLOR.  
 CARRIER TAPE: POLYSTYRENES, TRANSPARENT COLOR.  
 REEL: HIPS, BLUE COLOR.  
 BAG: POLYETHYLENES, TRANSPARENT COLOR.
- EACH BAG SHALL BE INCLUDED DESICCANT.
- PEELING STRENGTH: 0.1 ~ 1.3 N (10 ~ 130 GRAMS).
- PEELING SPEED: 300 mm/min.



3900 PCS	650	6	9.5	4.618
QUANTITY	PCS/TAPE	REELS/BOX	G/W(Kg)	N/W(Kg)

THIS DRAWING IS A CONTROLLED DOCUMENT.		DWN	01JUN2016	TE Connectivity	
DIMENSIONS: mm		CHK	-	NAME	
TOLERANCES UNLESS OTHERWISE SPECIFIED:		APVD	-	2 IN 1 mSATA & PCI EXPRESS MINI CARD CONNECTOR, 4 MM HEIGHT	
0 PLC	± -	PRODUCT SPEC	-	SIZE	CAGE CODE
1 PLC	± -	APPLICATION SPEC	-	A2	00779
2 PLC	± -	WEIGHT	-	DRAWING NO	C=1775861
3 PLC	± -	CUSTOMER DRAWING	-	RESTRICTED TO	-
4 PLC	± -	SCALE	-	SHEET	4 OF 4
ANGLES	± -	REV	G		
FINISH	-				

# Mouser Electronics

Authorized Distributor

Click to View Pricing, Inventory, Delivery & Lifecycle Information:

[TE Connectivity:](#)

[1775861-2](#)