

Tous droits strictement réservés. Reproduction ou communication à des tiers interdite sous quelque forme que ce soit sans autorisation écrite du propriétaire. © FCI b.v.

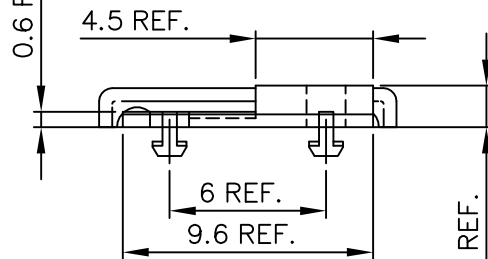
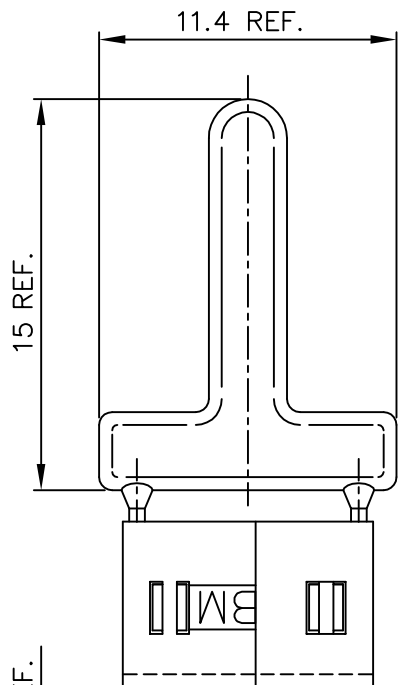


Reproduction or issue to third parties in any form, whatever is not permitted without written authority from the proprietor. © FCI b.v.

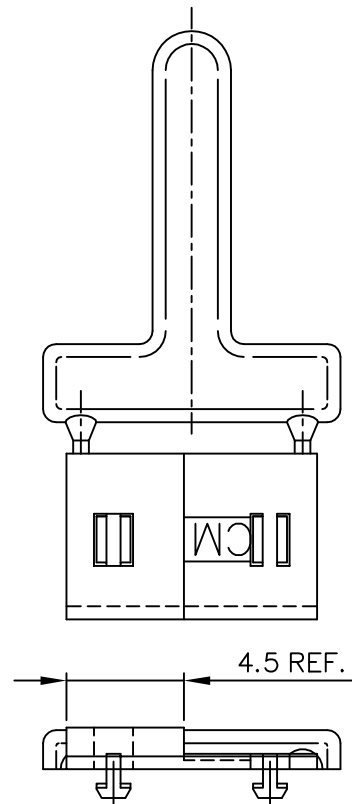
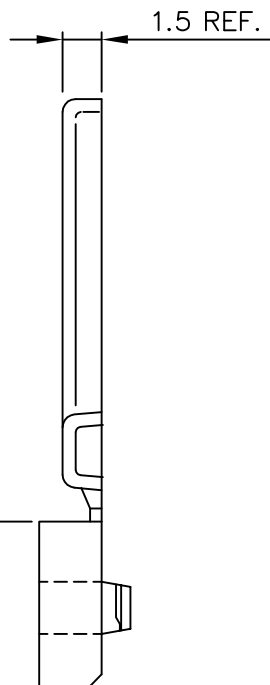
All rights strictly reserved. Reproduction or issue to third parties in any form, whatever is not permitted without written authority from the proprietor. © FCI b.v.

form: A3

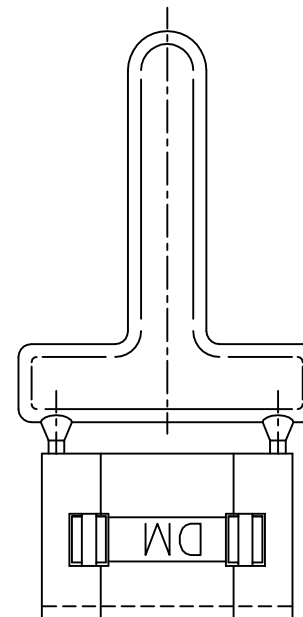
PRODUCT NUMBER 91289-10XLF



-101LF
LEFT MALE KEY



-102LF
RIGHT MALE KEY



-103LF
MIDDLE MALE KEY

6.35 REF.

NOTES:

- MATERIAL: LIQUID CRYSTAL POLYMER. FLAME RETARDANT ACC. UL 94-V0 30% GLASS FILLED, COLOR: SEE TABLE.
- PRODUCT TO BE DELIVERED TO THE CUSTOMER WITH THE RUNNER ATTACHED
- THIS PRODUCT WITH "LF" SUFFIX MEETS EUROPEAN UNION DIRECTIVES AND OTHER COUNTRY REGULATIONS AS DESCRIBED IN GS -22-008.
- THE PRODUCT IS NOT INTENDED TO BE EXPOSED TO A MANUFACTURING SOLDER PROCESS.

PRODUCT NUMBER	COLOR
91289-101LF	BLUE
91289-102LF	PINK
91289-103LF	BROWN

mat'l. code SEE NOTE 1		tolerances unless otherwise specified		CUSTOMER COPY		ELECTRONICS www.fciconnect.com	
ltr	ecn no	dr	date	linear	projection	title	
A	V41309	RDO	940729			MALE HALF KEYS	
B	H40388	RV	940810	angles		product family	
C	H40583	DDB	940916			CENTRAL (tm)	
D	bg05-0382	Clu	051011	dr	D. de Bil	940609	code
				engr	E. Feijen	940729	213
				chr	G.S. Lee	940609	sheet
				appd	G.S. Lee	940609	1 of 1
sheet index	revision	D					
	sheet	1					

PDM: Rev:D

STATUS: Released

Printed: May 19, 2001