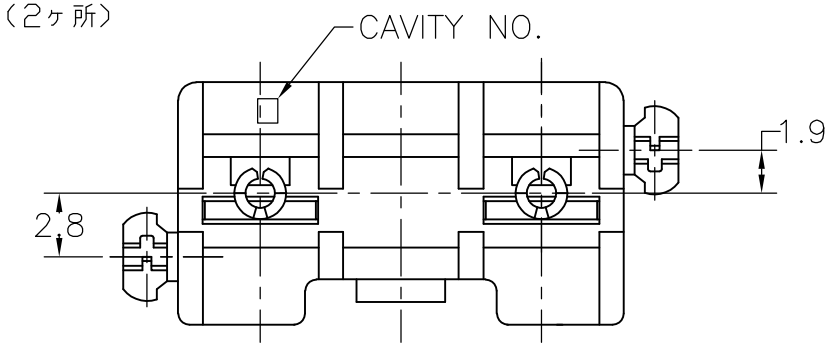
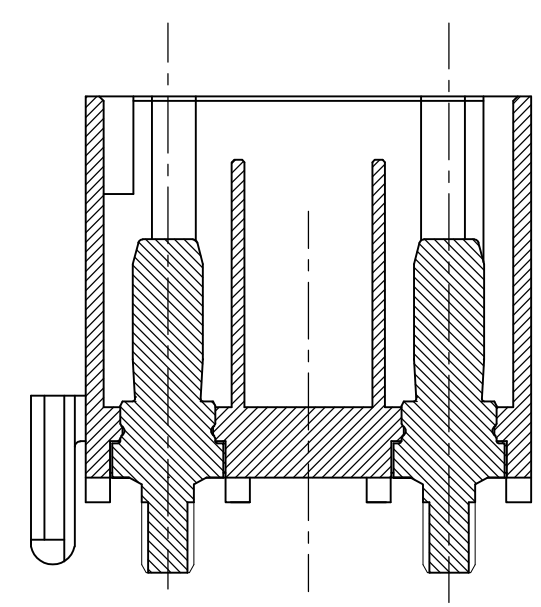
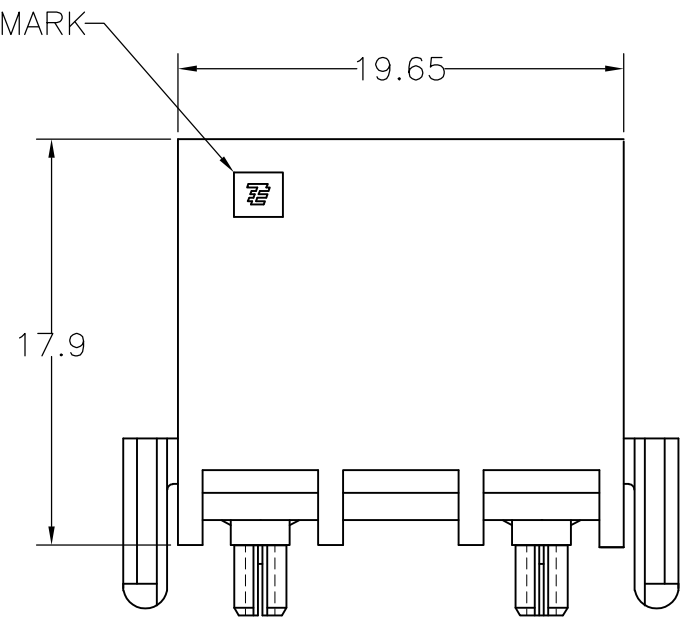
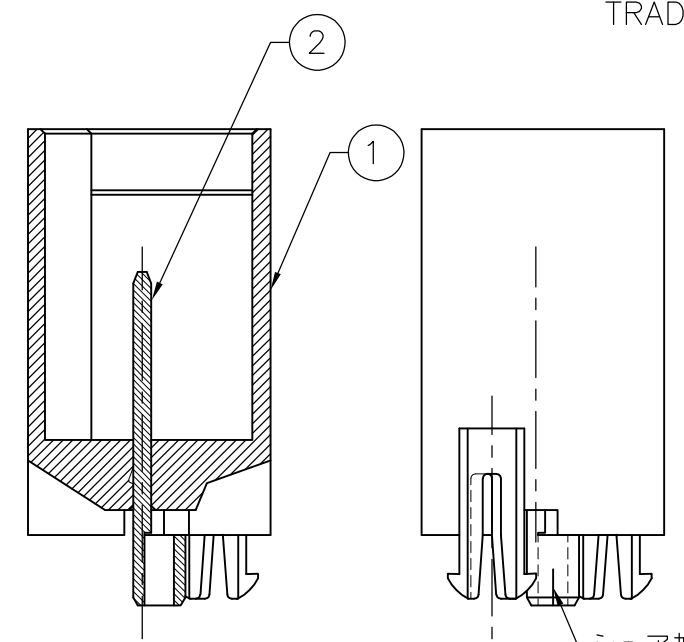
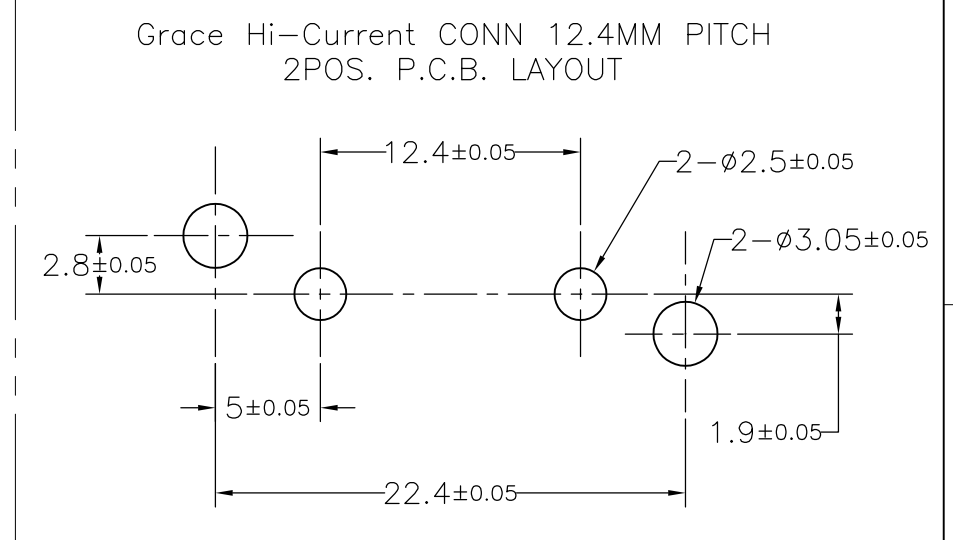
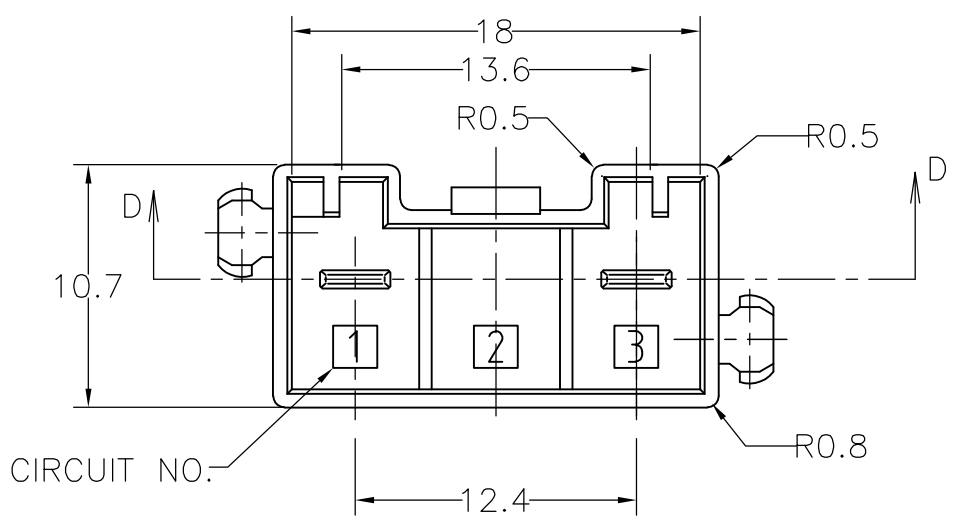


THIS DRAWING IS UNPUBLISHED. RELEASED FOR PUBLICATION
 © COPYRIGHT BY TYCO ELECTRONICS CORPORATION. ALL RIGHTS RESERVED.

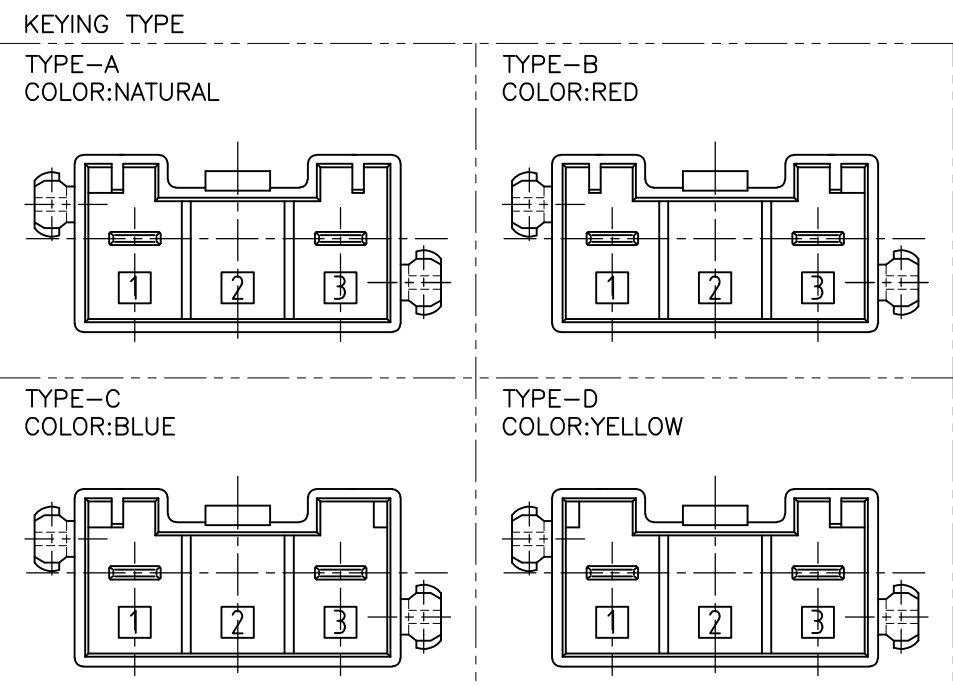
| LOC | DIST | REVISIONS | | | | | |
|-----|------|-----------|-----|---------------------------|---------|-----|------|
| | | P | LTR | DESCRIPTION | DATE | DWN | APVD |
| J | - | | B1 | REVISED PER ECR-10-019989 | 05OCT10 | HMR | TM |

注)
 △嵌合相手製品型番
 プラグハウジング : SEE TABLE
 リセコンタクト : 1746971-1
 : 1746972-1
 △色むらが出る可能性があります。

NOTES)
 △MATING CONN. P/N
 PLUG HOUSING : SEE TABLE
 REC CONTACT : 1746971-1
 : 1746972-1
 △AN UNEVEN COLORING MIGHT COME OUT.



| NO. | 名称 (NAME) | 材料 (MATERIAL) |
|-----|----------------------------|---------------------------------------|
| ② | ヘッダーハウジング (HEADER HOUSING) | 6/6ナイロンガラス強化 (6/6 NYLON GRASS FILLED) |
| ① | タブ (TAB) | 錫めっき済み銅合金 (COPPER ALLOY TIN PLATED) |



THIS DRAWING IS A CONTROLLED DOCUMENT.

| | | | |
|----------------------|---|-----------------------------|---|
| DIMENSIONS: 単位: 耗 mm | TOLERANCES UNLESS OTHERWISE SPECIFIED: 一般公差 | DWN A.OISHI 7DEC2004 | Tyco Electronics Tyco Electronics Tyco Electronics |
| 0 PLC ± 0.3 | 1 PLC ± 0.3 | CHK N.YAMASAKI 7DEC2004 | |
| 2 PLC ± 0.3 | 3 PLC ± 0.2 | APVD S.MANABE 7DEC2004 | NAME 名称 |
| 4 PLC ± 0.2 | ANGLES ± 3 | PRODUCT SPEC 製品規格 108-78232 | GRACE HI CURRENT CONNECTOR(GHC) EYELET 12.4 MM PITCH 2POS HEADER ASSY |
| MATERIAL 材料 | FINISH 仕上 | APPLICATION SPEC 取付適用規格 | SIZE CAGE CODE DRAWING NO 番号 RESTRICTED TO |
| | | WEIGHT - | A3 00779 C-1747996 |
| CUSTOMER DRAWING | | | SCALE 尺度 3:1 SHEET 1 OF 1 REV B1 |

| | | | |
|--------------------|-------------|----------|-------------|
| 1747995-4 | TYPE D | △ YELLOW | 1747996-4 |
| 1747995-3 | TYPE C | △ BLUE | 1747996-3 |
| 1747995-2 | TYPE B | △ RED | 1747996-2 |
| 1747995-1 | TYPE A | NATURAL | 1747996-1 |
| △ MATING CONN. P/N | KEYING TYPE | COLOR | PART NUMBER |

Mouser Electronics

Authorized Distributor

Click to View Pricing, Inventory, Delivery & Lifecycle Information:

[TE Connectivity:](#)

[1747996-1](#)