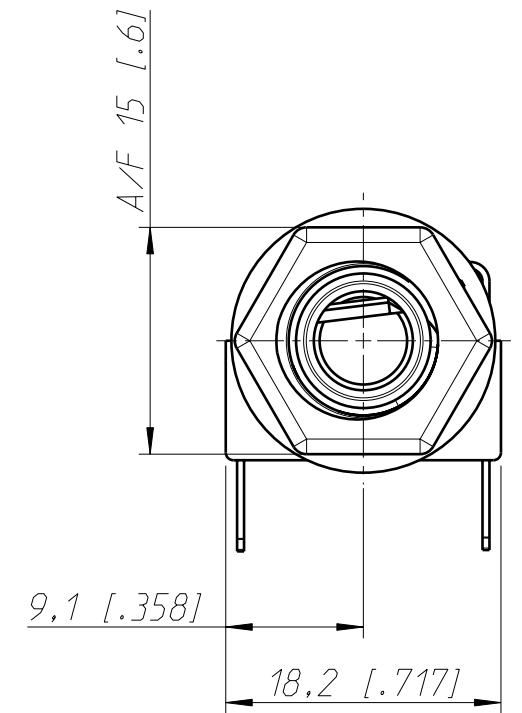
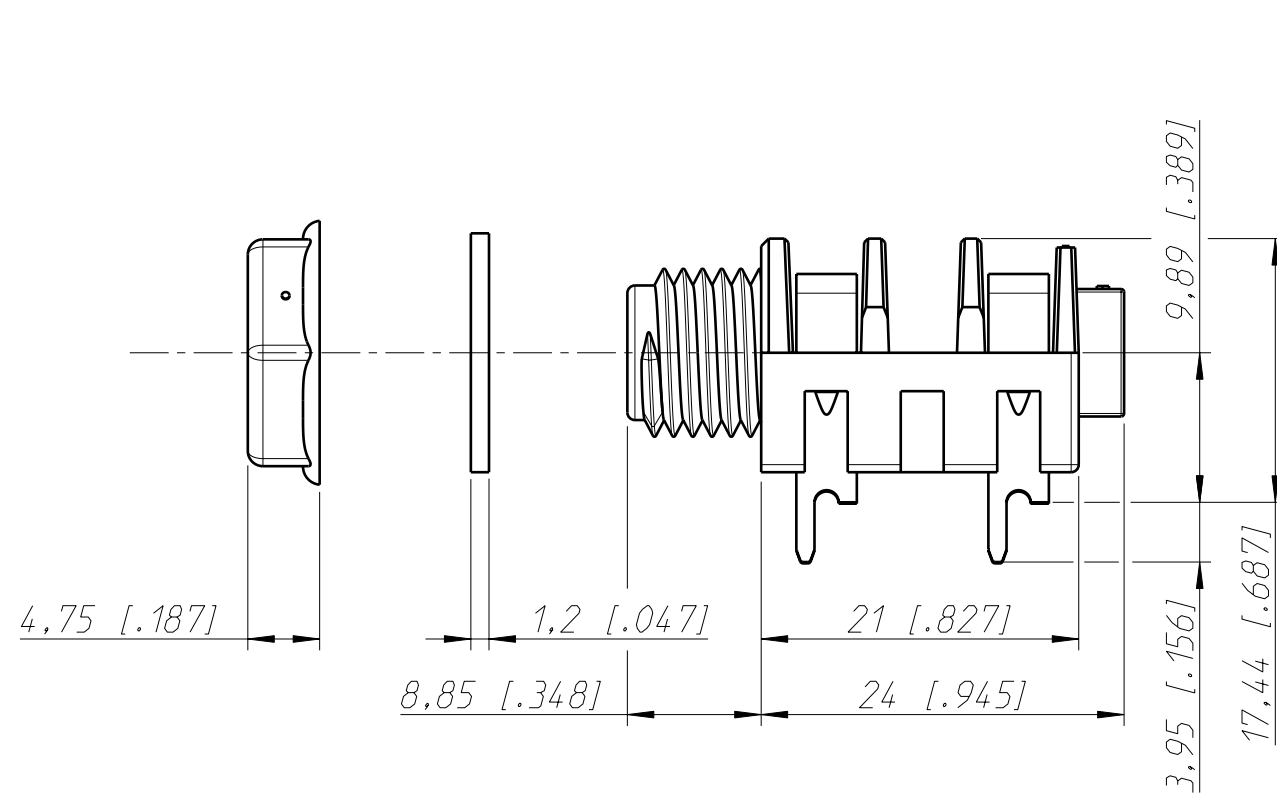
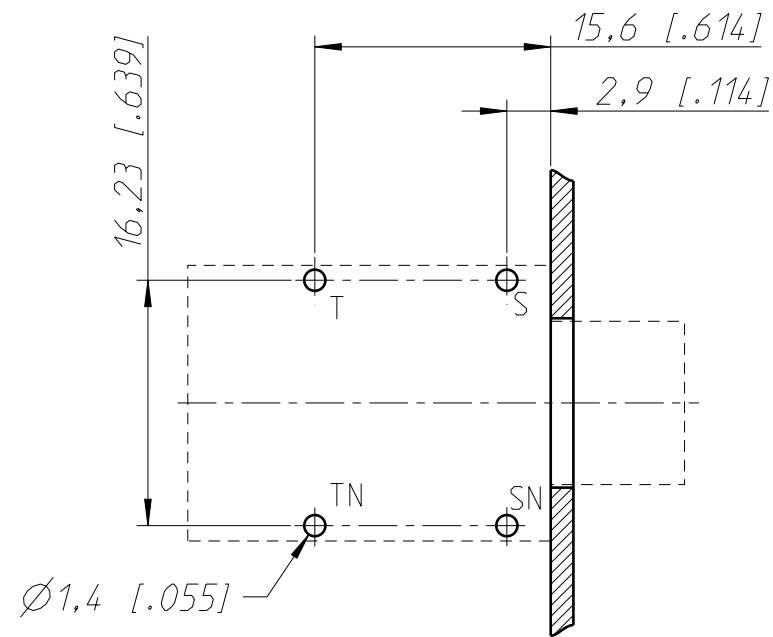
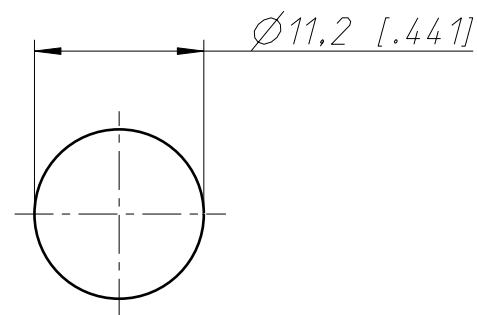


Print Bohrplan Bestückungsseite
PCB-Layout (component side)



Frontplattenausschnitt (Rückseite)
Panel cut out (rear side)



| | | | |
|---------------------------------------|----------|------------------|-------------|
| General tolerances ISO 2768-m | Scale | Date | Name |
| Refer to protection notice ISO 16016. | 2:1 (A3) | 04.02.03 | Ender |
| Name | M Jack | Modified | 10.05.17 |
| | NMJ4HFD3 | Change-No. | Sheet-No. |
| | | - | 1 / 1 |
| | | Replacement for: | |
| | | Drawing-No. | ST-NMJ4HFD3 |
| NEUTRIK | | | |

Mouser Electronics

Authorized Distributor

Click to View Pricing, Inventory, Delivery & Lifecycle Information:

[Neutrik:](#)

[NMJ4HFD3](#)