

4

3

2

1

THIS DRAWING IS UNPUBLISHED.
VERTRAULICHE UNVERÖFFENTLICHTE ZEICHNUNG

RELEASED FOR PUBLICATION
FREI FUER VERÖFFENTLICHUNG

MATED WITH:
PASSEND ZU:
HEE.32

LOC
AI

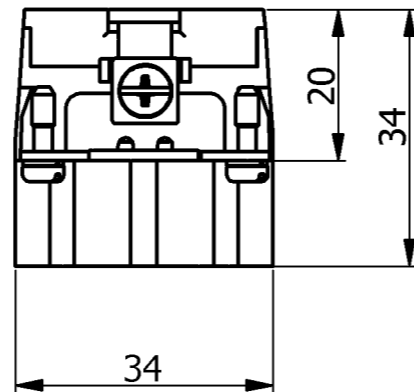
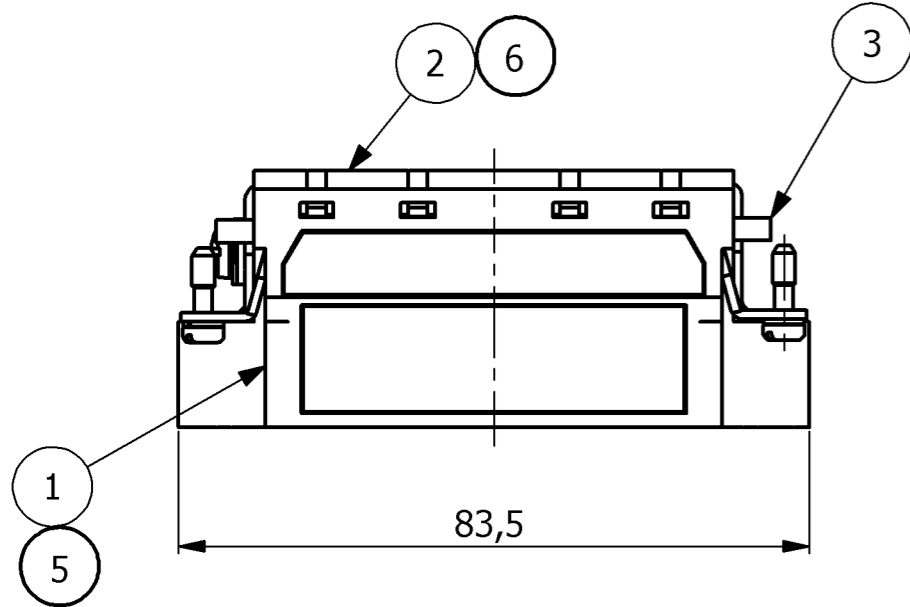
DIST

REVISIONS
ÄNDERUNGEN

© COPYRIGHT 2000 BY AMP INCORPORATED.

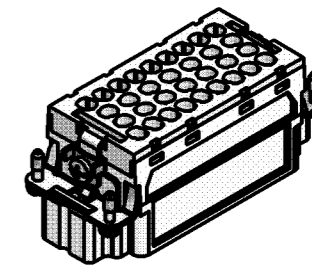
ALL RIGHTS RESERVED.
ALLE RECHTE VORBEHALTEN

P	LTR	DESCRIPTION	BESCHREIBUNG	DATE	DWN	APVD
	B2	REVISED PER ECO-11-004886		29APR11	HMR	MM



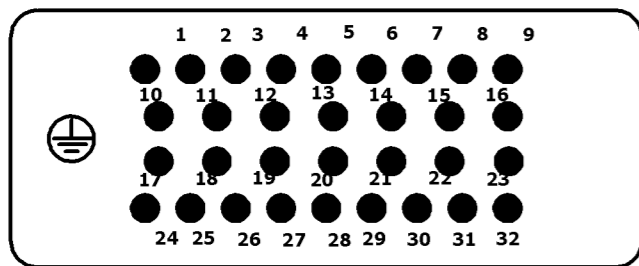
Notes,

- 1 Material, insert: LCP-GF
- 2 Material, insert: PC-GF20
- 3 Material, cover: PC-GF20
- 4 Packacking: 10 pieces

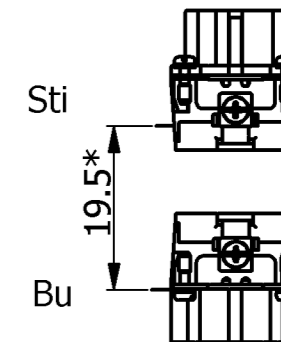
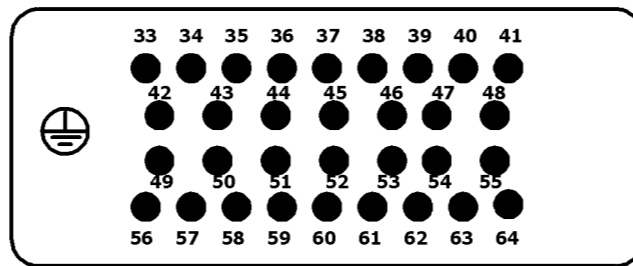


Contact arrangement view from termination side

PN 0-1; 0-3

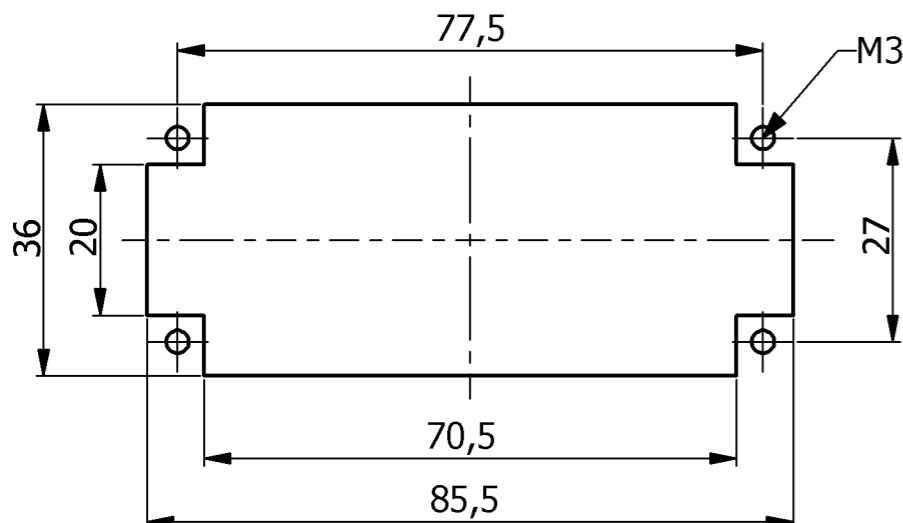


PN 0-2



* distance for guaranteed contact 21 mm max.

Panet cut-out for contact insert when used without housing



OBSOLETE

QTY	PN	DESCRIPTION	MATERIAL	SURFACE	COLOR	ITEM
1		COVER HEE.32-FS	LCP-FS30		NATURE	6
1		MALE INSERT HEE.32-FS	LCP-FS30		NATURE	5
1		Protection wire contact pin with mounting		zink plated	blue	8
1		Protection wire contact pin		zink plated	blue	3
1		COVER HEE.32	PC-GF20 (B1)	-	LIGHT-GREY	2
1		MALE INSERT HEE.32	PC-GF20 (B1)	-	LIGHT-GREY	1

PN	ORDERING TEXT	PARTS LIST
0-3	0-2	0-1
	HEE.32.Sti.C B1-32	
	HEE.32.Sti.C B33-64	
	HEE.32.Sti.C B1-32-FS	

<small>THIS DRAWING IS A CONTROLLED DOCUMENT FOR AMP INCORPORATED. IT IS SUBJECT TO CHANGE AND THE CONTROLLING ENGINEERING ORGANIZATION SHOULD BE CONTACTED FOR THE LATEST REVISION. DIESSES ZEICHNUNGSDOKUMENT WIRD DURCH AMP INCORPORATED KONTROLLIERT. ÄNDERUNGEN, DIE DEM TECHNISCHEN FORTSCHRITT DIENEN, SIND VORBEHALTEN. DEN JEWELIG LETZTGÜLTIGEN ÄNDERUNGSSTAND ERFAHREN SIE ALF ANFRAGE.</small>		DWN 29.11.2004 SCHWEIGER			
DIMENSIONS: DIMENSIONEN: mm		CHK 29.11.2004 M.SCHWEIGER			
		TOLERANCES UNLESS OTHERWISE SPECIFIED: ALLGEMEINTOLERANZEN n. ISO 8015 n. ISO 2768 - mH -E n. DIN 16901 - 140		NAME MALE INSERT HEE.32.STI.C	
MATERIAL		APVD 29.11.2004 T.SCHNURPFIL PRODUCT SPEC PRODUKTSPEZ. 108-74045		SIZE A3	
FINISH / OBERFLÄCHE / FARBE		APPLICATION SPEC VERARBEITUNGSSPEZ. 114-74060		CAGE CODE 00779	
WEIGHT GEWICHT		DRAWING NO ZEICHNUNGS-NR. 1102895		RESTRICTED TO NUR FUER	
CUSTOMER DRAWING / KUNDENZEICHNUNG				SCALE MASSSTAB 1:1	
				SHEET BLATT 1	
				OF VON 1	
				REV B2	

Mouser Electronics

Authorized Distributor

Click to View Pricing, Inventory, Delivery & Lifecycle Information:

[TE Connectivity:](#)

[1102895-1](#)