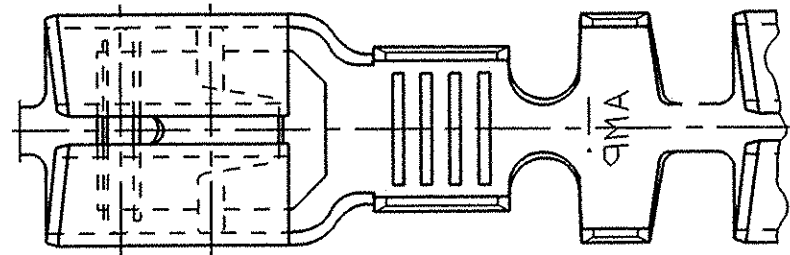


DO NOT SCALE

DIMENSIONS IN mm

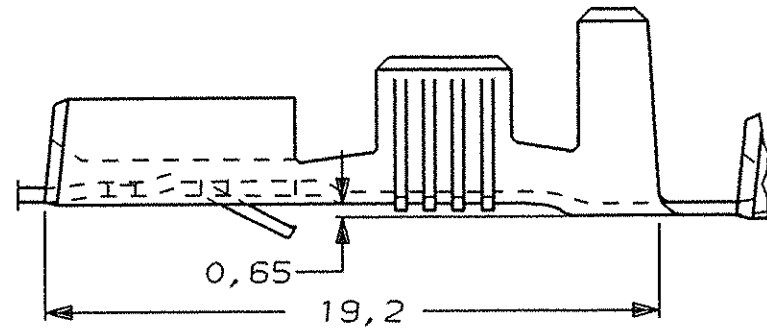
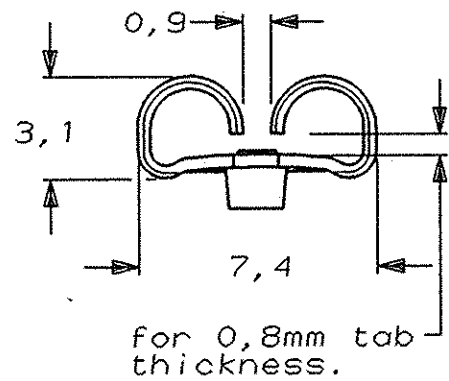
METRIC

THIRD ANGLE  
PROJECTION

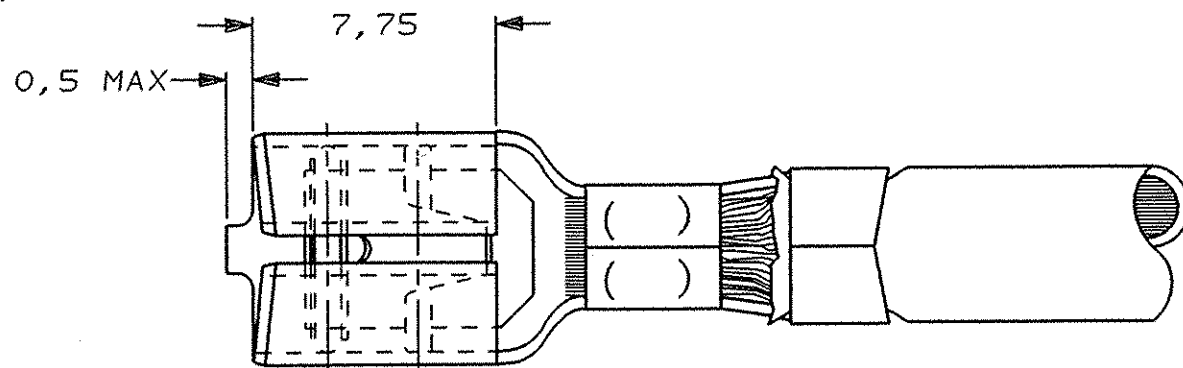


NOTES

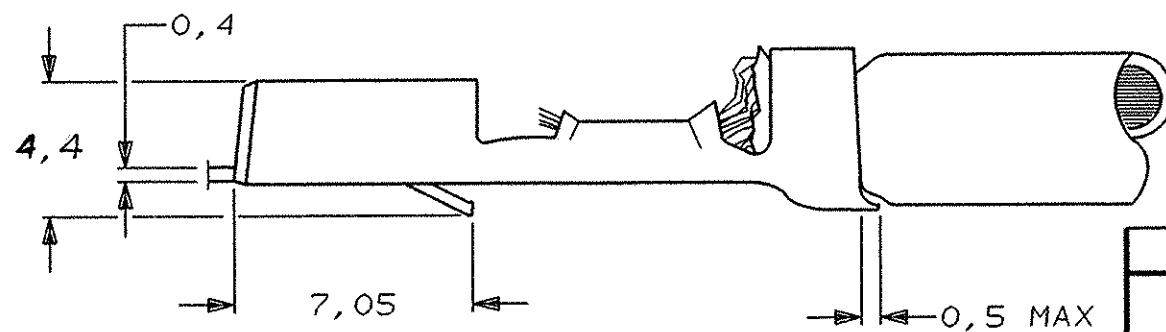
- 1. FOR USE ON MINIATURE APPLICATORS ( LEFT-RIGHT FEED ) AND STANDARD APPLICATORS ( RIGHT-LEFT FEED ).
- 2. REELED WITH PAPER COVER.



ORIGINAL DOCUMENT  
UNDER REVISION  
BY *P. Heyden*  
DATE *16.05.96*



GENERAL TOLERANCE  $\pm 0,3$  mm.



NOTES	FINISH	MATERIAL	PARTNUMBER
$\Delta$	PRE-TINPLATED	PH. BRONZE	6-160914-8
$\Delta$	PRE-TINPLATED	BRASS	6-160914-7
$\Delta$	TINPLATED	PH. BRONZE	160914-4
$\Delta$	UNPLATED	PH. BRONZE	160914-3
$\Delta$	TINPLATED	BRASS	160914-2
$\Delta$	UNPLATED	BRASS	160914-1

CUSTOMER  
DRAWING

**AMP**

TYCO ELECTRONICS AMP  
BARCELONA, SPAIN

FOR REFERENCE ONLY  
WILL NOT BE UPDATED

~~THIS DRAWING IS UNPUBLISHED~~ RELEASED FOR PUBLICATION JULY, 1987

© COPYRIGHT 1987 BY AMP-HOLLAND B.V.  
ALL INTERNATIONAL RIGHTS RESERVED.  
AMP PRODUCTS MAY BE COVERED BY U.S. AND FOREIGN PATENTS AND/OR  
PATENTS PENDING.

DR.	DATE	WIRE RANGE	NAME	REV. DATE
L.V.D. HEYDEN	02.07.87	4,0-6,0 mm <sup>2</sup>	.250 SRS FASTIN-ON RECEPTACLE.	D M Y
CHK. A.B.	10.08.87	INSUL. RANGE 4,0-5,2mmDIA		17 01 03
APP. L.v. Soest	25.08.87	SIZE A3	SHEET 1 OF 1	DWG. No. C-160914
				REV. LTR. D1

# Mouser Electronics

Authorized Distributor

Click to View Pricing, Inventory, Delivery & Lifecycle Information:

[TE Connectivity:](#)

[160914-4 \(Cut Strip\)](#)