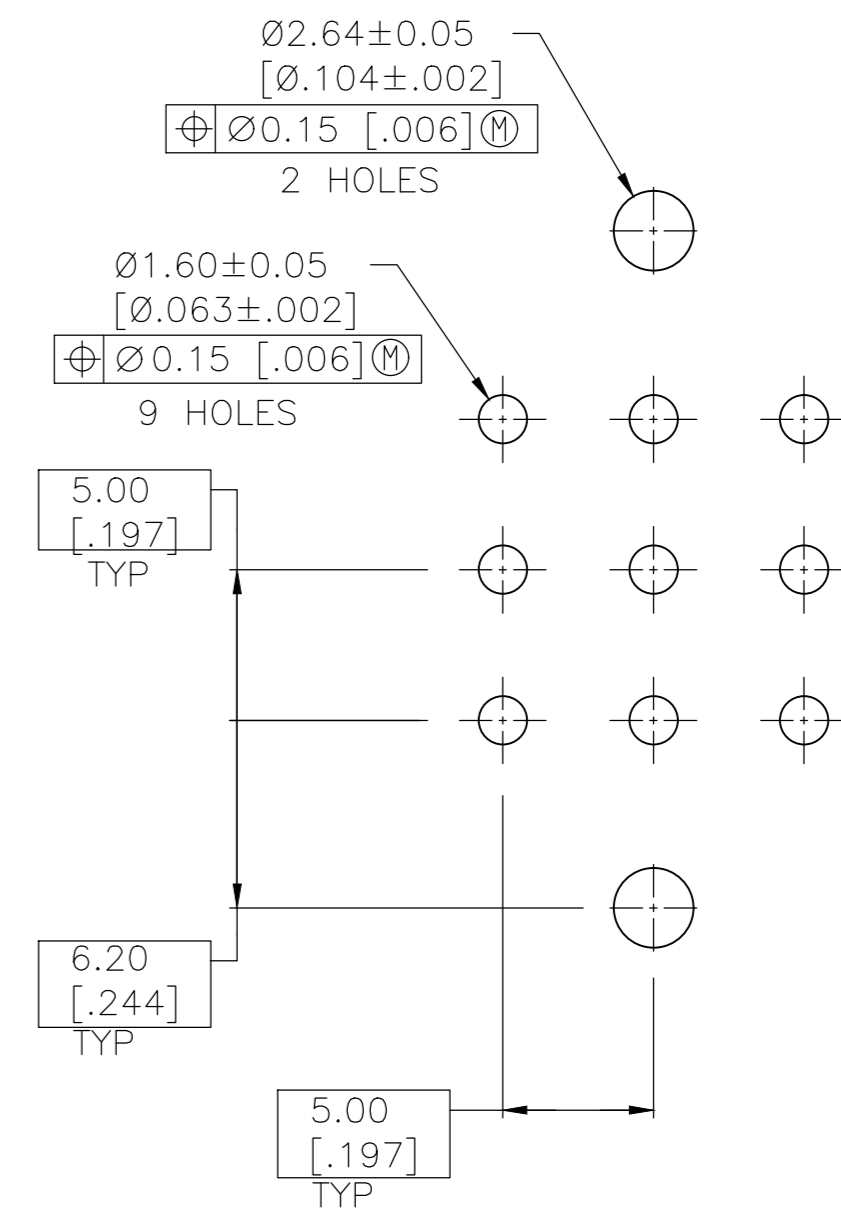
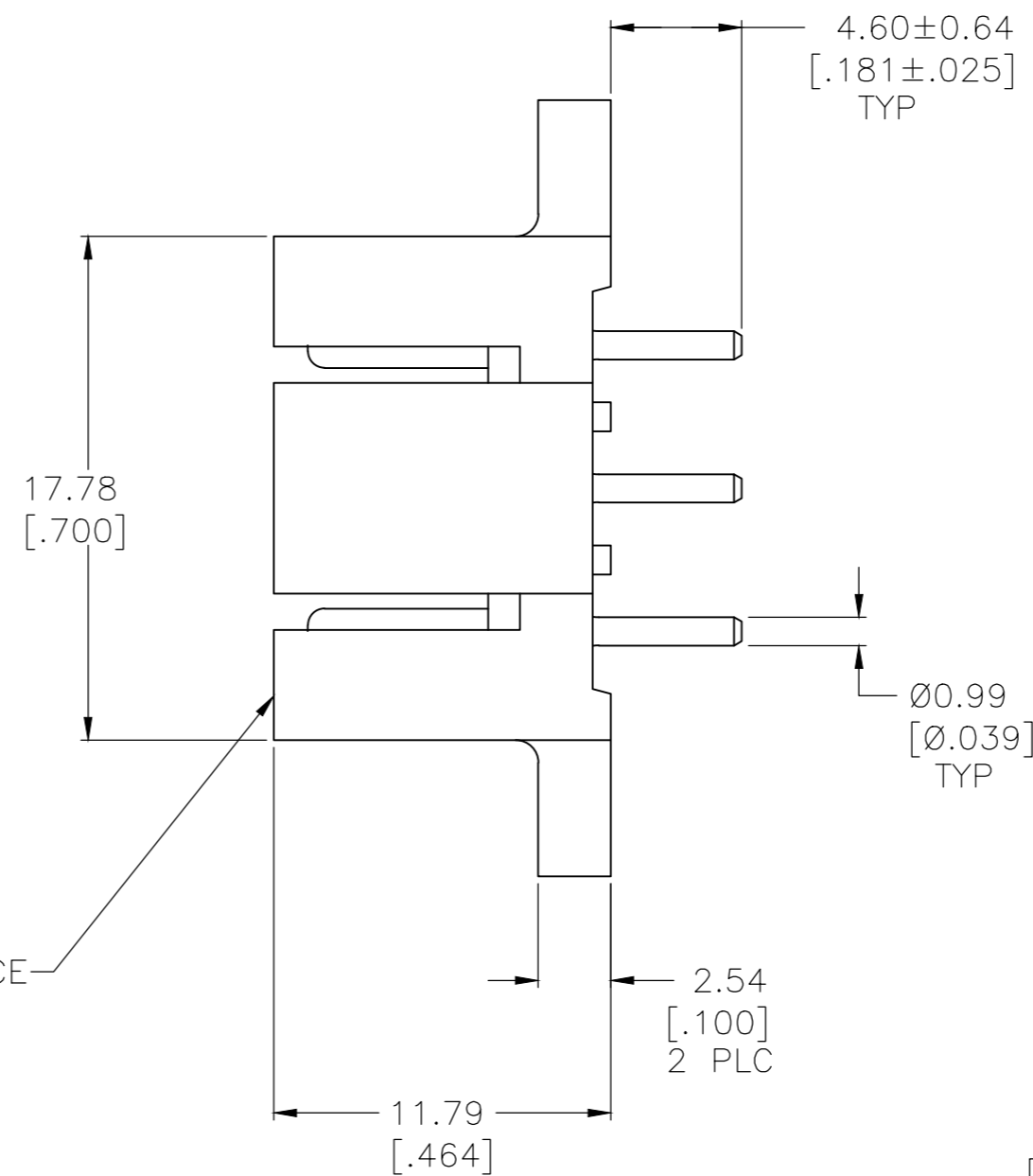
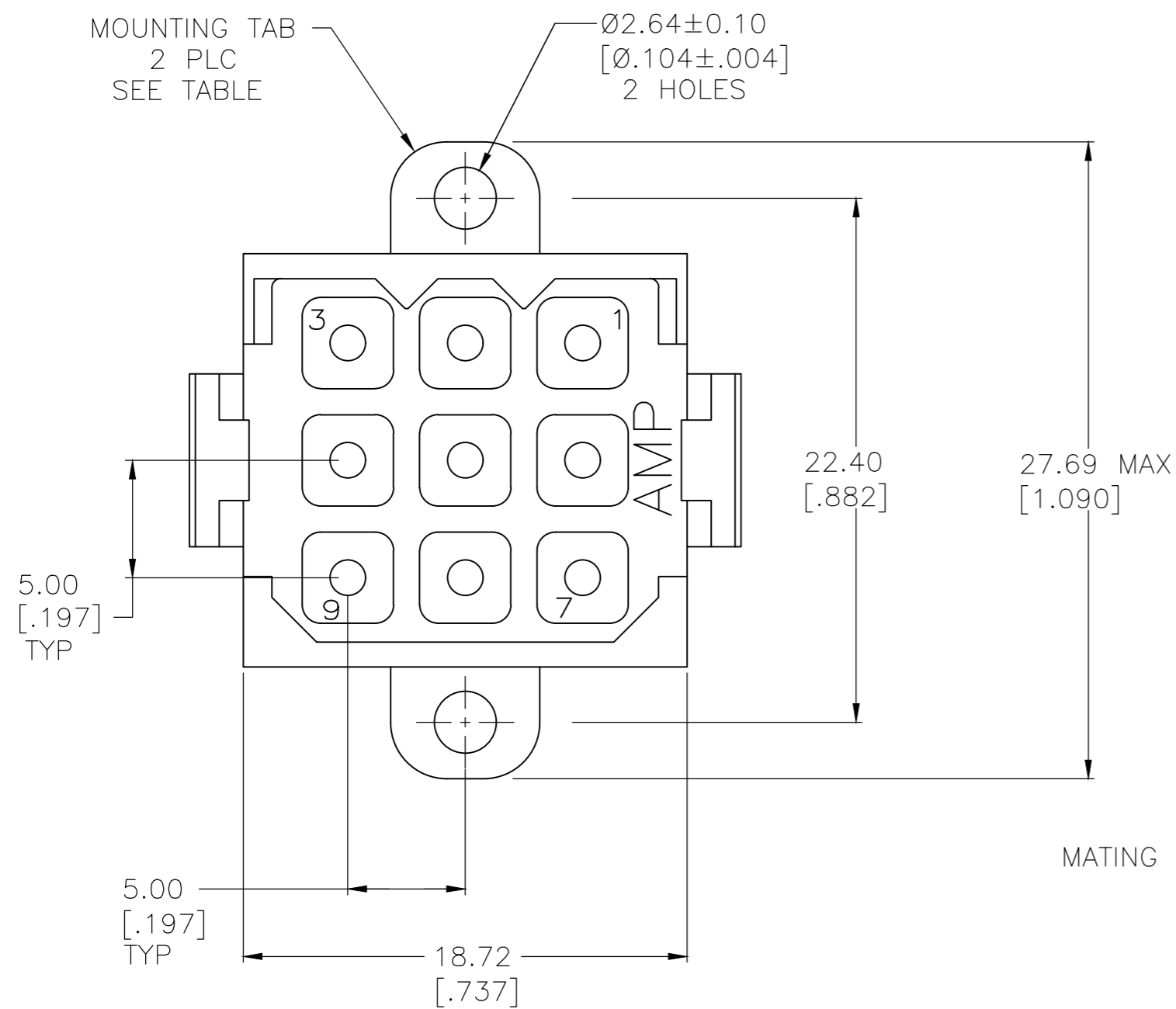
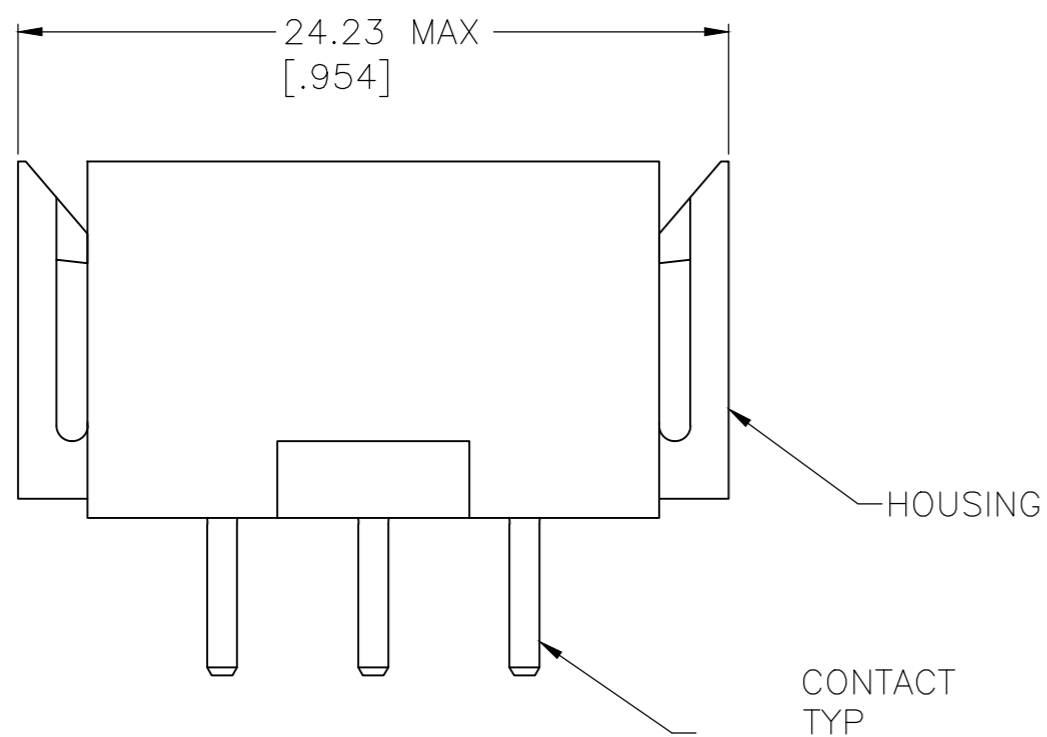


REVISIONS					
P	LTR	DESCRIPTION	DATE	DWN	APVD
N		REVISED PER ECO-16-004940	29JUL2016	NK	MZ
P		REVISED PER ECO-18-000441	24JAN2018	RS	MZ
R		REVISED PER ECO-20-002045	13FEB2020	RK	MZ



RECOMMENDED PC BOARD LAYOUT

- ▲ HOUSING MATERIAL: PA66, BLACK, UL 94 V-0 RATED.
- ▲ CONTACT MATERIAL: BRASS PER ASTM B36.
- ▲ 3.81 μ m [.000150] MIN TIN OVER 2.54 μ m [.000100] MIN COPPER.
- ▲ 0.76 μ m [.000030] MIN GOLD FOR A LENGTH OF 5.08 [.200] FROM MATING END, 3.81 μ m [.000150] MIN TIN FOR A LENGTH OF 4.83 [.190] MIN FROM OPPOSITE END, BOTH OVER 1.27 μ m [.000050] MIN NICKEL.
- ▲ 3.81 μ m [.000150] MIN LEAD FREE TIN OVER 2.54 μ m [.000100] MIN COPPER.
- ▲ 0.76 μ m [.000030] MIN GOLD FOR A LENGTH OF 5.08 [.200] FROM MATING END, 3.81 μ m [.000150] MIN LEAD FREE TIN FOR A LENGTH OF 4.83 [.190] MIN FROM OPPOSITE END, BOTH OVER 1.27 μ m [.000050] MIN NICKEL.



CONTACT FINISH	MOUNTING TABS	PART NO
6	YES	1-207441-0
6	NO	207441-9
5	NO	207441-8
5	YES	207441-7
4	NO	207441-4
4	YES	207441-3
3	NO	207441-2
3	YES	207441-1

THIS DRAWING IS A CONTROLLED DOCUMENT.

DWN 03/10/92
L.SIPE
CHK 3-17-92
R.STONE
APVD 3-17-92
A.TRAVIS
PRODUCT SPEC
108-10033
APPLICATION SPEC

TE Connectivity

PIN HEADER ASSEMBLY,
9 POSITION, METRIMATE

SIZE A2 CAGE CODE 00779 DRAWING NO C=207441 RESTRICTED TO -

SCALE 4:1 SHEET 1 OF 1 REV R

MATERIAL HOUSING: ▲ CONTACT: ▲ FINISH CONTACT: SEE TABLE WEIGHT -

CUSTOMER DRAWING

Mouser Electronics

Authorized Distributor

Click to View Pricing, Inventory, Delivery & Lifecycle Information:

[TE Connectivity:](#)

[1-207441-0](#)