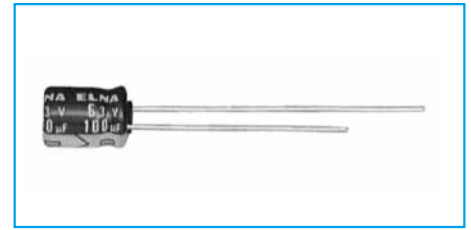
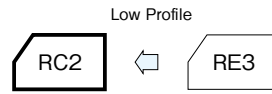


7mm L, Standard Capacitors

GREEN CAP Anti-cleaning solvent

- Diameters from  $\phi 4$  to  $\phi 8$ mm and a height of 7mm.
- Guarantees 1000 hours at 85°C.



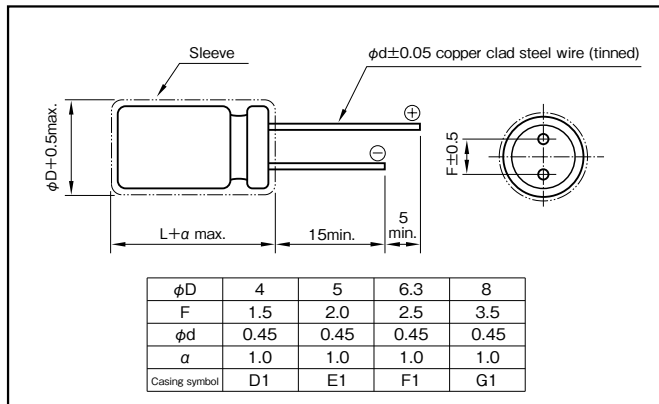
Marking color : White print on a blue sleeve

Specifications

| Item  | Performance  |   |      |      |      |      |      |      |      |      |
|---|--|---|------|------|------|------|------|------|------|------|
| Category temperature range (°C)             | -40 to +85   |   |      |      |      |      |      |      |      |      |
| Tolerance at rated capacitance (%)          | ±20 (20°C, 120Hz)  |   |      |      |      |      |      |      |      |      |
| Leakage current (µA)                        | Less than 0.01CV or 3 whichever is larger (after 2 minutes) C : Rated capacitance (µF); V : Rated voltage (V) (20°C)                   |   |      |      |      |      |      |      |      |      |
| Tangent of loss angle (tanδ)                | Rated voltage (V)  | 4   | 6.3  | 10   | 16   | 25   | 35   | 50   | 63   | 100  |
|   | tanδ (max.)  | 0.35  | 0.24 | 0.20 | 0.16 | 0.14 | 0.12 | 0.10 | 0.08 | 0.08 |
| Characteristics at high and low temperature | Rated voltage (V)  | 4   | 6.3  | 10   | 16   | 25   | 35   | 50   | 63   | 100  |
|   | Impedance ratio (max.)   | Z-25°C/Z+20°C                               | 6    | 4    | 3    | 2    | 2    | 2    | 2    | 2    |
| Endurance (85°C) (Applied ripple current)   | Test time  | 1000 hours                                  |      |      |      |      |      |      |      |      |
|   | Leakage current  | The initial specified value or less         |      |      |      |      |      |      |      |      |
|   | Percentage of capacitance change   | Within ±20% of initial value                |      |      |      |      |      |      |      |      |
|   | Tangent of the loss angle  | 200% or less of the initial specified value |      |      |      |      |      |      |      |      |
| Shelf life (85°C)                           | Test time : 1000 hours ; other items are the same as those for the endurance. Voltage application treatment : According to JIS C5101-1 |   |      |      |      |      |      |      |      |      |
| Applicable standards                        | JIS C5101-1, -4 1998 (IEC 60384-1 1992, -4 1985)   |   |      |      |      |      |      |      |      |      |

Outline Drawing

Unit : mm



Coefficient of Frequency for Rated Ripple Current

| Rated voltage (V) | Frequency (Hz) |     |     |            |
|-------------------|----------------|-----|-----|------------|
|                   | 50 · 60        | 120 | 1k  | 10k · 100k |
| 4 to 16           | 0.8            | 1   | 1.1 | 1.2        |
| 25 to 35          | 0.8            | 1   | 1.5 | 1.7        |
| 50 to 100         | 0.8            | 1   | 1.6 | 1.9        |

Part numbering system (example : 10V220µF)

|             |                      |                          |                              |               |                 |                       |   |   |   |   |
|-------------|----------------------|--------------------------|------------------------------|---------------|-----------------|-----------------------|---|---|---|---|
| RC2         | —                    | 10                       | V                            | 221           | M               | G1                    | # | □ | — | □ |
| Series code | Rated voltage symbol | Rated capacitance symbol | Capacitance tolerance symbol | Casing symbol | Optional symbol | Taping/Forming symbol |   |   |   |   |

Standard Ratings

| Rated voltage (V) | 4     |                           | 6.3   |                           | 10    |                           | 16    |                           | 25    |                           | 35    |                           | 50    |                           | 63   |                           | 100  |                           |
|-------------------|-------|---------------------------|-------|---------------------------|-------|---------------------------|-------|---------------------------|-------|---------------------------|-------|---------------------------|-------|---------------------------|------|---------------------------|------|---------------------------|
|                   | Case  | Rated ripple current (mA) | Case  | Rated ripple current (mA) | Case  | Rated ripple current (mA) | Case  | Rated ripple current (mA) | Case  | Rated ripple current (mA) | Case  | Rated ripple current (mA) | Case  | Rated ripple current (mA) | Case | Rated ripple current (mA) | Case | Rated ripple current (mA) |
| 0.33              | —     | —                         | —     | —                         | —     | —                         | —     | —                         | —     | —                         | —     | —                         | —     | —                         | —    | —                         | —    | —                         |
| 0.47              | —     | —                         | —     | —                         | —     | —                         | —     | —                         | —     | —                         | —     | —                         | —     | —                         | —    | —                         | —    | —                         |
| 1                 | —     | —                         | —     | —                         | —     | —                         | —     | —                         | —     | —                         | —     | —                         | —     | —                         | —    | —                         | —    | —                         |
| 2.2               | —     | —                         | —     | —                         | —     | —                         | —     | —                         | —     | —                         | —     | —                         | —     | —                         | —    | —                         | —    | —                         |
| 3.3               | —     | —                         | —     | —                         | —     | —                         | —     | —                         | —     | —                         | —     | —                         | —     | —                         | —    | —                         | —    | —                         |
| 4.7               | —     | —                         | —     | —                         | —     | —                         | —     | —                         | —     | —                         | —     | —                         | —     | —                         | —    | —                         | —    | —                         |
| 10                | —     | —                         | —     | —                         | —     | —                         | —     | —                         | —     | —                         | —     | —                         | —     | —                         | —    | —                         | —    | —                         |
| 22                | —     | —                         | 4×7   | 35                        | 4×7   | 35                        | 4×7   | 40                        | 5×7   | 50                        | 5×7   | 55                        | 6.3×7 | 70                        | —    | —                         | —    | —                         |
| 33                | 4×7   | 35                        | 4×7   | 40                        | 4×7   | 45                        | 5×7   | 55                        | 6.3×7 | 70                        | 6.3×7 | 75                        | 8×7   | 100                       | —    | —                         | —    | —                         |
| 47                | 4×7   | 40                        | 4×7   | 50                        | 5×7   | 60                        | 5×7   | 70                        | 6.3×7 | 85                        | 8×7   | 110                       | —     | —                         | —    | —                         | —    | —                         |
| 100               | 5×7   | 70                        | 5×7   | 80                        | 6.3×7 | 105                       | 6.3×7 | 120                       | 8×7   | 145                       | —     | —                         | —     | —                         | —    | —                         | —    | —                         |
| 220               | 6.3×7 | 120                       | 6.3×7 | 140                       | 8×7   | 185                       | 8×7   | 205                       | —     | —                         | —     | —                         | —     | —                         | —    | —                         | —    | —                         |
| 330               | 8×7   | 170                       | 8×7   | 205                       | —     | —                         | —     | —                         | —     | —                         | —     | —                         | —     | —                         | —    | —                         | —    | —                         |

(Note) Rated ripple current : 85°C, 120Hz.

# Mouser Electronics

Authorized Distributor

Click to View Pricing, Inventory, Delivery & Lifecycle Information:

Elna:

[RC2-16V101MF1#-T58](#) [RSRC2101M1ED07119T](#)