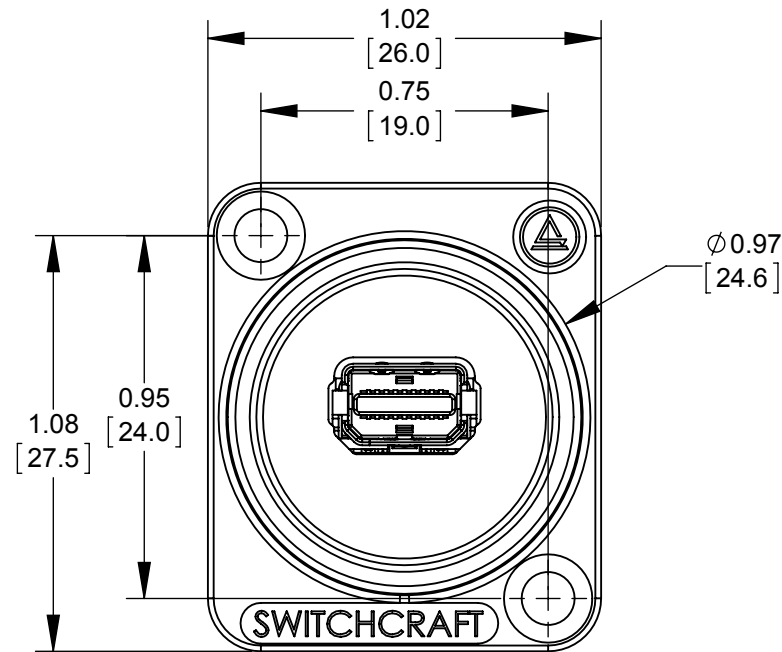
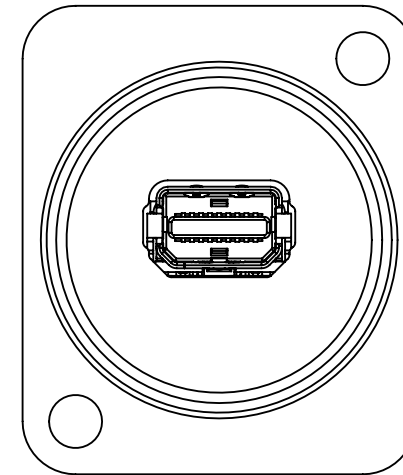
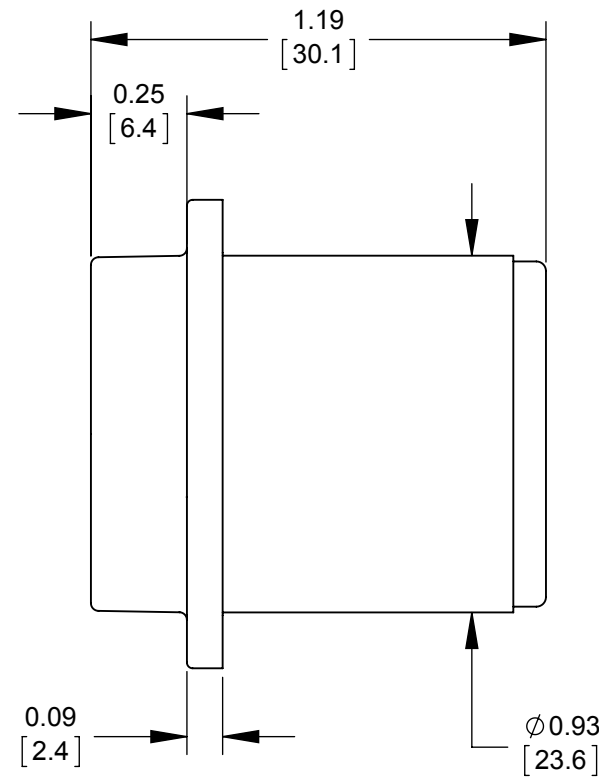


RECOMMENDED
PANEL CUT-OUT



FRONT



BACK

SPECIFICATIONS

1. CONNECTOR

- **TYPE:** MINI DP
- **MECHANICAL CHARACTERISTICS:**
 - INSERTION FORCE: 9.9 lb
 - WITHDRAWAL FORCE 2.2- 8.8 lb
- **CONTACT PLATING:** GOLD

2. OVERALL:

- **MECHANICAL:**
 - **VIBRATION:** MIL-STD 202G METHOD 201A
- **ENVIRONMENTAL:**
 - **THERMAL SHOCK:** MIL-STD-202G METHOD 107G CONDITION A
 - **OPERATING TEMP:** 0 TO 65°C
- **HOUSING MATERIAL:** THERMOPLASTIC, BLACK.

CUSTOMER DRAWING

NOTES:
1- ALL PARTS ARE RoHS COMPLIANT.

REV	ECO NUMBER	DATE	BY	APVD
0A	PRELIMINARY	4/11/16	NS	SRC
REVISIONS				

UNLESS OTHERWISE SPECIFIED
1. ALL DIMENSIONS IN INCHES [mm]
- TWO PLACE DECIMALS ±0.02 [0.5]
- THREE PLACE DECIMALS ±0.005 [0.13]

DO NOT SCALE DRAWING

THIS DRAWING DESCRIBES A DESIGN CONSIDERED PROPRIETARY IN NATURE, DEVELOPED AND MANUFACTURED BY SWITCHCRAFT INC. AND IS RELEASED ON A CONFIDENTIAL BASIS FOR IDENTIFICATION PURPOSES ONLY.									
SIZE *	WIDTH *	MULT *	LBS/M *	TEMPER *					
FINISH *					MATERIAL *				
SPEC No. *					SPEC No. *				
FIRST USED ON *				SCALE 1:1					
DATE DRAWN	BY	CHKD	APVD						
4/11/16	NS	NS	SRC						
			4/11/16						
			4/11/16						
NAME				EH SERIES				PART No.	
MINI DISPLAYPORT COUPLER				EHMDP2				REV 0A	

Switchcraft®

SHEET 1 OF 1

Mouser Electronics

Authorized Distributor

Click to View Pricing, Inventory, Delivery & Lifecycle Information:

[Switchcraft:](#)

[EHMDP2](#) [EHMDP2PKG](#)