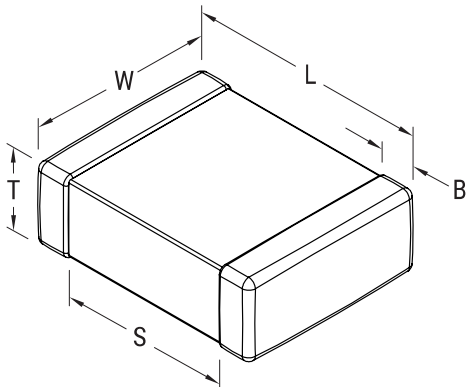


KEMET Part Number: C0603C225K4PACTU
(C0603C225K4PAC7867)

SMD Comm X5R, Ceramic, 2.2 uF, 10%, 16 VDC, X5R, SMD, MLCC, Temperature Stable, Class II, 0603



Dimensions

Dimensions	
L	1.6mm +/-0.15mm
W	0.8mm +/-0.15mm
T	0.8mm +/-0.10mm
S	0.7mm MIN
B	0.35mm +/-0.15mm

Packaging Specifications

Packaging Specifications	
Packaging:	T&R, 180mm, Paper Tape
Packaging Quantity:	4000

General Information

General Information	
Supplier:	KEMET
Series:	SMD Comm X5R
Style:	SMD Chip
Description:	SMD, MLCC, Temperature Stable, Class II
Features:	Temperature Stable, Class II
RoHS:	Yes
Termination:	Tin
Marking:	No
Miscellaneous:	Note: Referee time for X5R dielectric for this part number is 48 hours
Chip Size:	0603

Specifications

Specifications	
Capacitance:	2.2 uF
Capacitance Tolerance:	10%
Voltage DC:	16 VDC
Dielectric Withstanding Voltage:	40 VDC
Temperature Range:	-55/+85C
Temperature Coefficient:	X5R
Dissipation Factor:	10.00% 1kHz 25C
Aging Rate:	5% Loss/Decade Hour
Insulation Resistance:	45 MOhms