

# Mounting Instruction

## SENCITY® Omni-SR Slim 6x6 MIMO Antenna



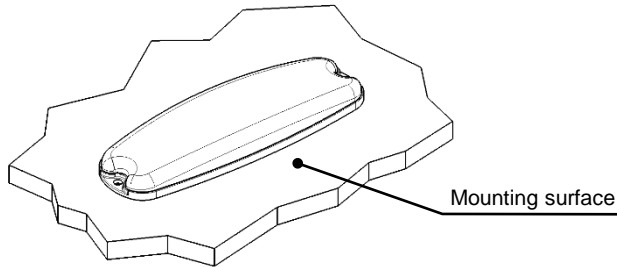
Keep away from catenary and high voltage lines.  
Be careful when working at height!  
Always secure ladders!  
Always tighten screws!



Avoid bringing the cover of the antenna into contact with acetone, gasoline or oil.

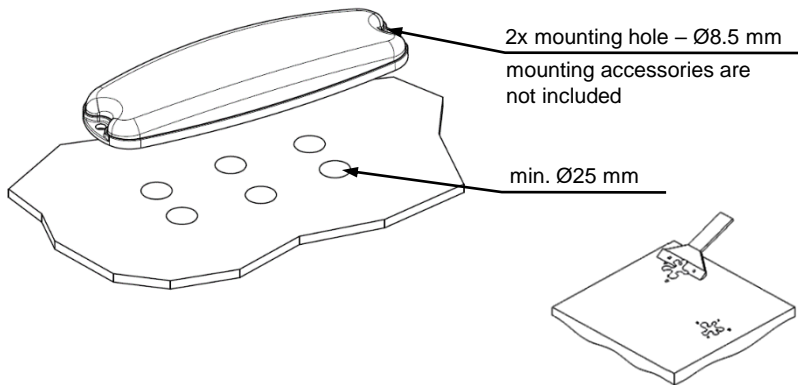
Dimensions in millimeter [mm]

### Mounting surface



The mounting surface shall be planar and stable.

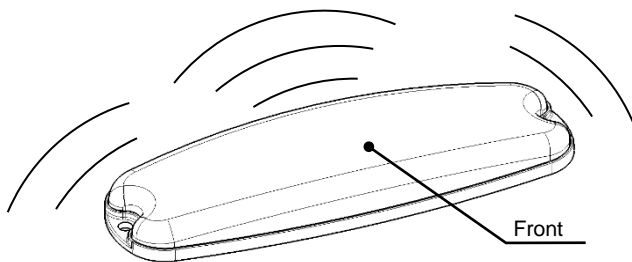
### Drilling of boreholes and preparation of mounting surface for the antenna deployment



Product shall be mounted with 2 screws.  
Find a suitable mounting surface and drill the holes using the drilling template on page 2.

Clear the area where the antenna is mounted from paint, corrosion, anodized layer, dust, cutting chip, oil and fat.

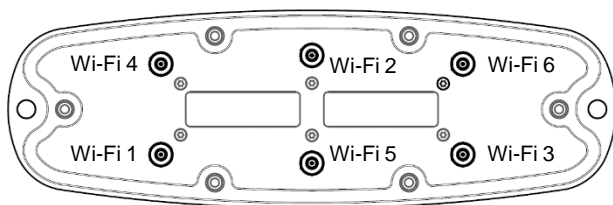
### Connection of cables



Please avoid any metallic material in front of the antenna or beside it.

Connect cables and use cable holder to avoid any tension forces on the connectors.

### Recommended antenna port combinations



For 3x3 MIMO

Wi-Fi 1 + Wi-Fi 2 + Wi-Fi 3

and / or

Wi-Fi 4 + Wi-Fi 5 + Wi-Fi 6

For 4x4 MIMO

Wi-Fi 1 + Wi-Fi 6 + Wi-Fi 3 + Wi-Fi 4

where:

- Wi-Fi 1 - ANT 0 - Primary
- Wi-Fi 6 - ANT 0 - Secondary
- Wi-Fi 3 - ANT 1 - Primary
- Wi-Fi 4 - ANT 1 - Secondary

### General remarks

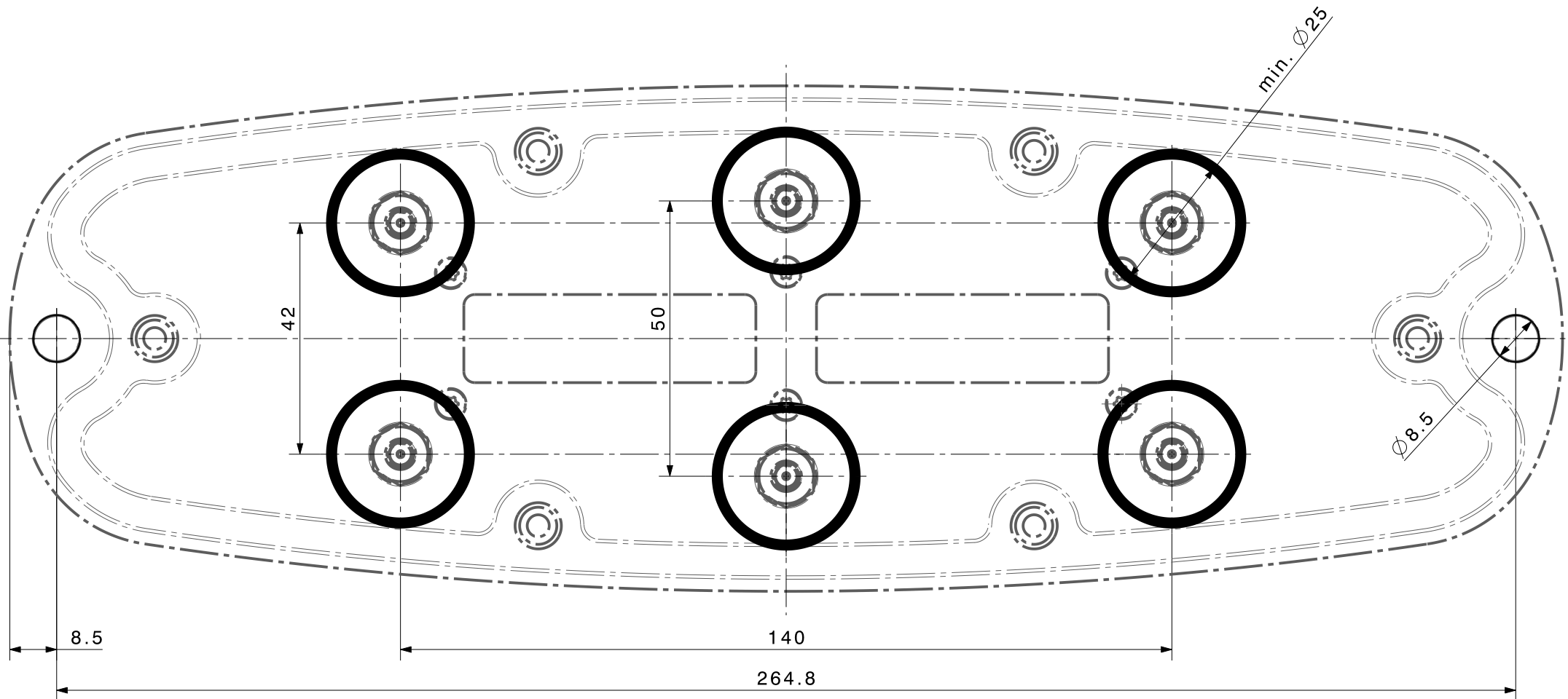
In the final position of the antenna, the cable outlet and the connectors need to be protected against environmental impacts (indoor environment).

This product can be returned to HUBER+SUHNER for recycling at the end or its useful life. Please contact your local agent.

HUBER+SUHNER is certified according to ISO 9001, ISO 14001, ISO/TS 16949 and IRIS

[www.hubersuhner.com](http://www.hubersuhner.com)

Waiver: It is exclusively in written agreements that we provide our customers with warrants and representations as to the technical specifications and/or the fitness for any particular purpose. The facts and figures contained herein are carefully compiled to the best of our knowledge, but they are intended for general information purposes only.



Scale 1:1

dimensions in millimeter [mm]	part no. / Teile Nr.: PRO-00461679	B sheet/Blatt XX / XX
description / Beschreibung	drawing-no. / Zeichnungsnr.	Release
Drilling template	DOU-00461679.1	A



alternative ID: