

# HUBER+SUHNER<sup>®</sup> SENCITY<sup>®</sup> ANTENNA FOR WIRELESS COMMUNICATION



## Mounting Instruction

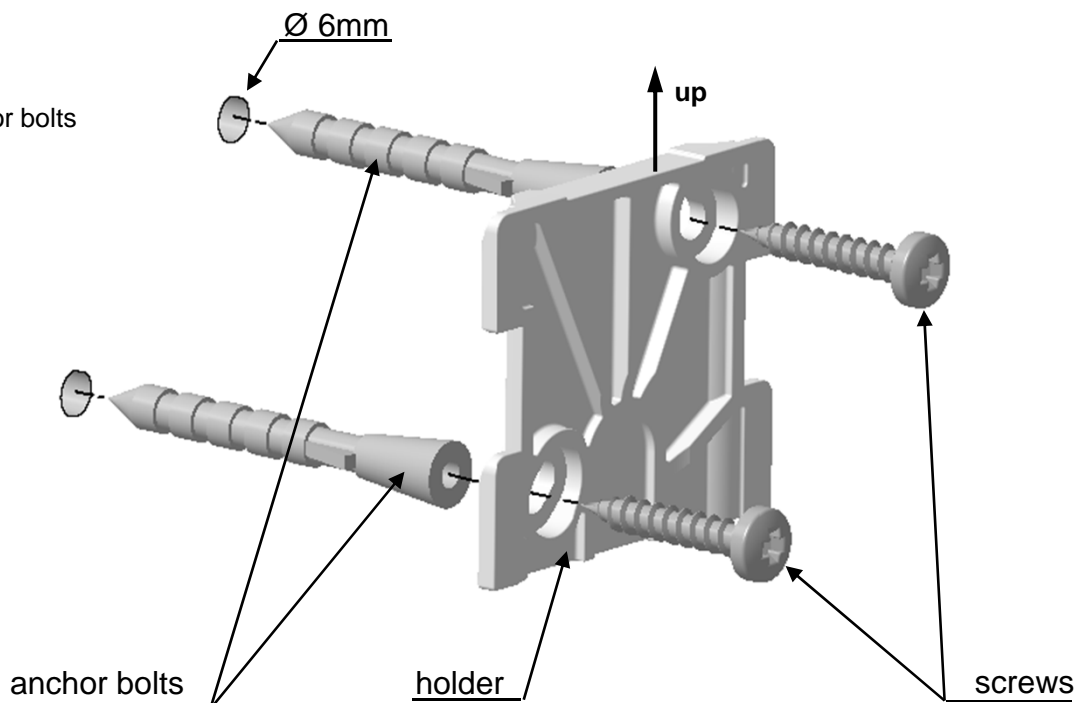


Keep away from catenary and high voltage lines.  
Be careful when working at height!  
Always secure ladders!  
Always tighten screws!

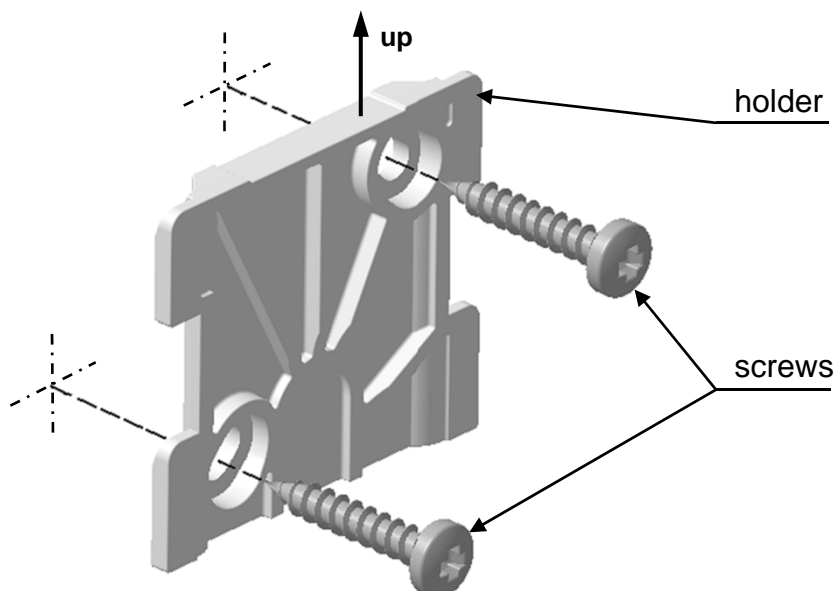
### Antenna mounting

Step 1:  
Mount the holder at the wall  
(screws and plugs are included)

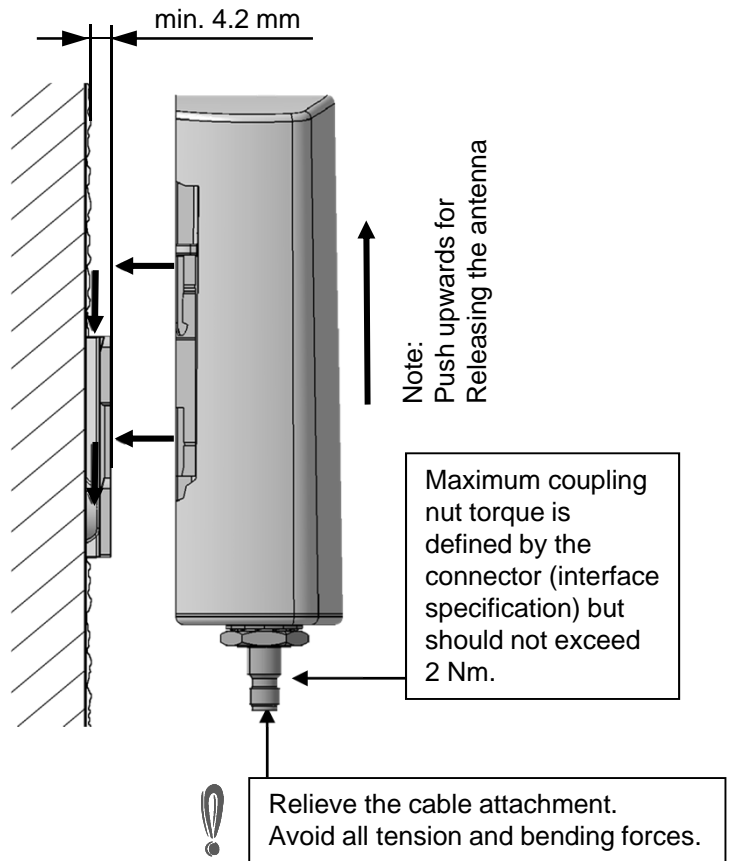
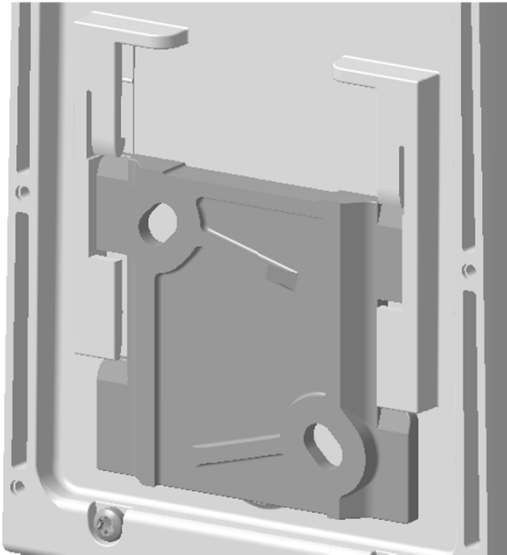
a) mounting with anchor bolts



b) mounting without anchor bolts

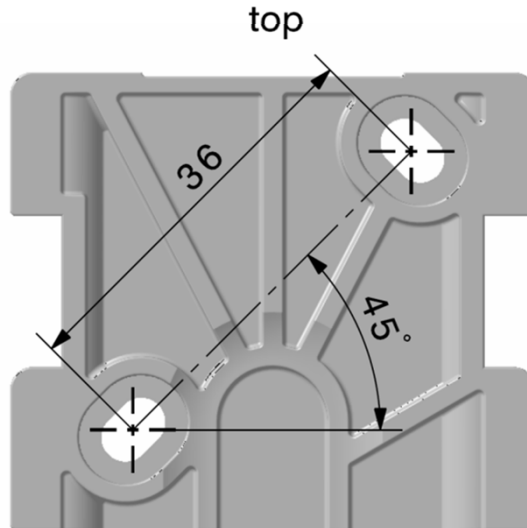


Step 2:  
Mount the Antenna onto the holder  
(Set the antenna on the guide  
and press it down, until it engages)



Drawing of mounting holes  
(all dimensions in mm)

! Do not use as 1:1 drilling template!



HUBER+SUHNER is certified according to ISO 9001 and ISO 14001,  
ISO/TS 16949 and IRIS.

**WAIVER!**  
It is exclusively in written agreements that we provide our customers with warrants and representations as to the technical contained specifications and/or the fitness for any particular purpose. The facts and figures herein are carefully compiled to the best of our knowledge, but they are intended for general informational purposes only.



**HUBER+SUHNER AG**  
**RF Technology**  
**9100 Herisau, Switzerland**  
Phone +41 (0)71 353 41 11  
Fax +41 (0)71 353 47 51  
www.hubersuhner.com

HUBER+SUHNER – Excellence in Connectivity Solutions

Doc. No. 0000287053  
Art. No. 84071491  
Revision F