

HUBER+SUHNER[®]

SENCITY[®] RAIL ANTENNA

FOR WIRELESS COMMUNICATION



Mounting Instruction



Keep away from catenary and high voltage lines.
Be careful when working at height!
Always secure ladders!
Always tighten screws!



Caution! ESD (electrostatic discharge) sensitive device.
Always ground yourself while handling the GPS connector.
For more information, see the Security Instruction for this product on the Huber + Suhr website.

Dimensions in millimetre [mm]

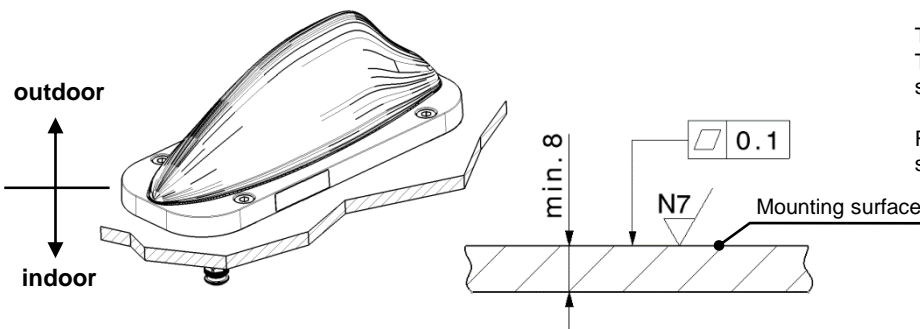


Avoid bringing the cover of the antenna into contact with acetone, gasoline or oil.

Mounting surface

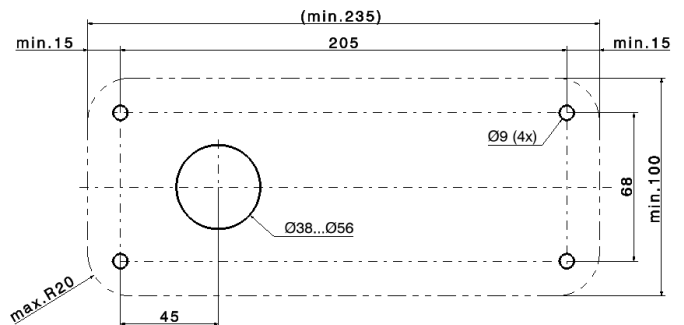
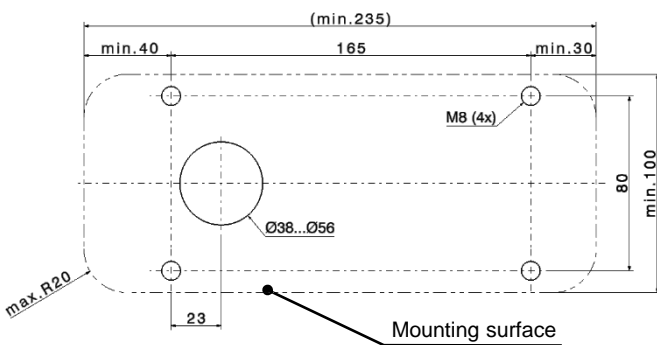
The mounting surface shall be planar and stable.
The material of the mounting surface shall be steel or aluminium.

Recommended thicknesses of the mounting surface is 8mm (steel) or 12mm (aluminium).

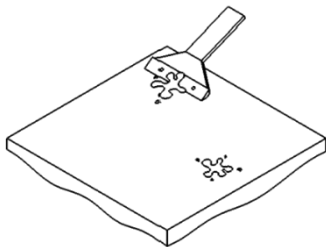


Drilling of threaded hole for top side mounting

Drilling of boreholes for bottom side mounting

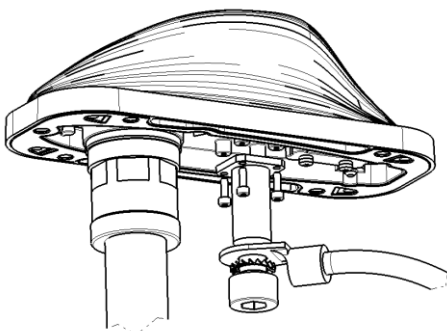


Preparation of roof



1. Clear the area where the antenna is mounted from paint, corrosion or any anodized layer.
2. Clear this area from any dust, brake dust, cutting chip, oil or fat.

Installation on bracket: Mounting of cable conduit and grounding kit

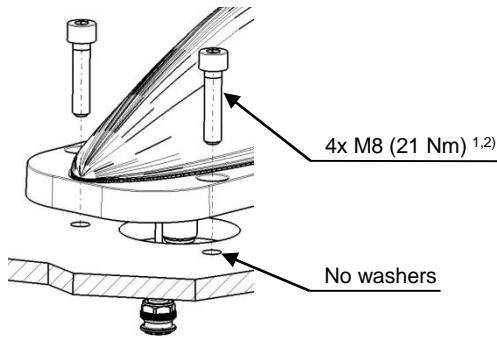


When mounting the antenna onto a bracket, the cable entry has to be protected against environmental impact. If the mounting surface doesn't fulfill the requirements mentioned above, the antenna has to be grounded using a separate grounding cable.

The conduit support kit (Art. no. 84079593) allows the use of standard M40x1.5 conduit guides. Please refer to the mounting instruction of article 84079593.

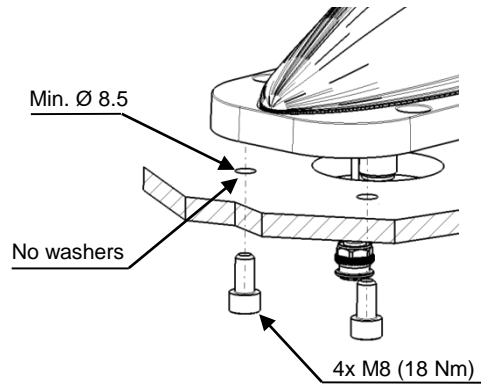
The grounding kit (Art. no. 84079030) allows the connection of a grounding cable. Please refer to the mounting instruction of article 84079030.

Top side mounting

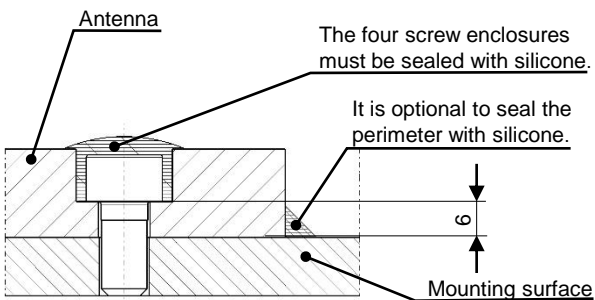


- 1) For a minimum 8mm thick mounting surface, use screws with a minimum length of 14mm. For a minimum 12mm thick mounting surface, use screws with a minimum length of 18mm.
- 2) Use mounting screws according to ISO 4762. Screws are not included.

Bottom side mounting

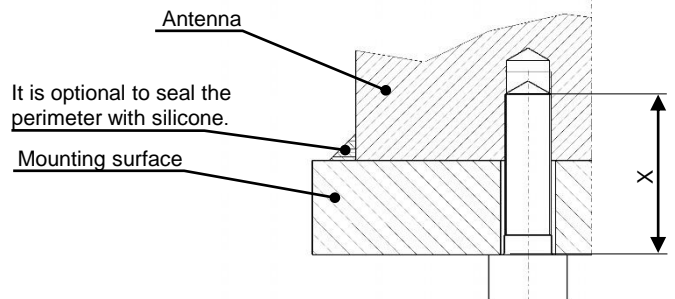


Sealing top side mounting



Sealing bottom side mounting

X: Length of screw = Mounting surface thickness + 8.5 mm ±1 mm

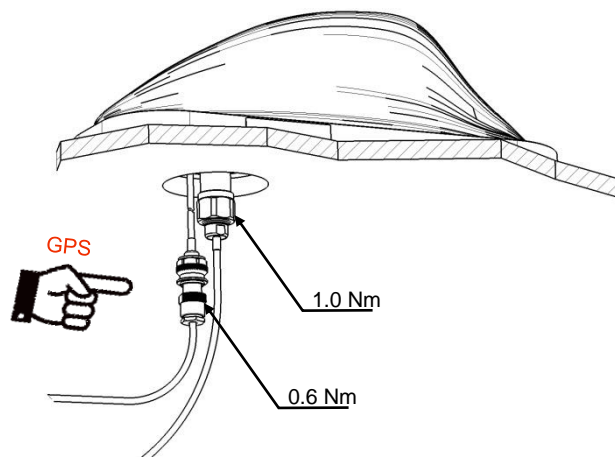


Connection of cables

GPS Connector:

GPS without LNA (check product datasheet): Do not apply a voltage as this antenna is DC grounded.

GPS with LNA (check product datasheet): Take ESD precautions (ground yourself).
Inner conductor: 3...5 V
Outer conductor: GND



General remarks

In the final position of the antenna, the draining hole and the connectors need to be protected against environmental impacts (indoor environment). Otherwise a cable conduit has to be used.

HUBER+SUHNER is certified according to ISO 9001 and ISO 14001

WAIVER!

It is exclusively in written agreements that we provide our customers with warrants and representations as to the technical contained specifications and/or the fitness for any particular purpose. The facts and figures herein are carefully compiled to the best of our knowledge, but they are intended for general informational purposes only.

HUBER+SUHNER – Excellence in Connectivity Solutions



HUBER+SUHNER AG
RF Technology
9100 Herisau, Switzerland
Phone +41 (0)71 353 41 11
Fax +41 (0)71 353 47 51
www.hubersuhner.com

Doc. No. 0000295392
Art. No. 84078802
Revision H