



# LM Guide®

THK General Catalog

# LM Guide

THK General Catalog

## A Product Descriptions

Classification Table of the LM Guides ... A1-8

**Point of Selection** ..... A1-10

Flowchart for Selecting an LM Guide .... A1-10

Setting Conditions ..... A1-12

- Conditions of the LM Guide ..... A1-12

Selecting a Type ..... A1-28

- Types of LM Guides ..... A1-28

Calculating the Applied Load ..... A1-40

- Calculating an Applied Load ..... A1-40

Calculating the Equivalent Load ..... A1-58

- Rated Load of an LM Guide in Each Direction ... A1-58

Calculating the Static Safety Factor ..... A1-62

Calculating the Average Load ..... A1-63

Calculating the Nominal Life ..... A1-65

- Calculating the Nominal Life ..... A1-65

- Calculating the Modified Nominal Life .... A1-66

Predicting the Rigidity ..... A1-69

- Selecting a Radial Clearance (Preload) ... A1-69

- Service Life with a Preload Considered ... A1-70

- Rigidity ..... A1-70

- Radial Clearance Standard for Each Model ... A1-71

Determining the Accuracy ..... A1-74

- Accuracy Standards ..... A1-74

- Guidelines for Accuracy Grades by Machine Type .. A1-75

- Accuracy Standard for Each Model ..... A1-76

**Features and Dimensions of Each Model** .. A1-87

Structure and Features of the Caged Ball LM Guide .. A1-88

- Advantages of the Ball Cage Technology .. A1-89

**Caged Ball LM Guide Global Standard Size Model SHS** ... A1-92

- Structure and Features ..... A1-93

- Types and Features ..... A1-94

**Dimensional Drawing, Dimensional Table**

Models SHS-C, SHS-CM, SHS-LC and SHS-LCM .. A1-96

Models SHS-V, SHS-VM, SHS-LV and SHS-LVM .. A1-98

Models SHS-R, SHS-RM, SHS-LR and SHS-LRM .. A1-100

- Standard Length and Maximum Length of the LM Rail .. A1-102

- Tapped-hole LM Rail Type of Model SHS .. A1-103

**Caged Ball LM Guide Radial Type Model SSR** ... A1-104

- Structure and Features ..... A1-105

- Types and Features ..... A1-106

**Dimensional Drawing, Dimensional Table**

Models SSR-XW and SSR-XWM ..... A1-108

Models SSR-XV and SSR-XVM ..... A1-110

Model SSR-XTB ..... A1-112

Model SSR-XSB ..... A1-114

- Standard Length and Maximum Length of the LM Rail .. A1-116

- Tapped-hole LM Rail Type of Model SSR .. A1-117

**Caged Ball LM Guide Ultra-heavy Load Type for Machine Tools Model SVR/SVS** ... A1-118

- Structure and Features ..... A1-119

- Types and Features ..... A1-121

**Dimensional Drawing, Dimensional Table**

Models SVR-R and SVR-LR ..... A1-124

Models SVS-R and SVS-LR ..... A1-126

Models SVR-C and SVR-LC ..... A1-128

Models SVS-C and SVS-LC ..... A1-130

Models SVR-RH, SVR-LRH, SVS-RH and SVS-LRH ... A1-132

Models SVR-CH, SVR-LCH, SVS-CH and SVS-LCH ... A1-134

- Standard Length and Maximum Length of the LM Rail .. A1-136

**Caged Ball LM Guide Wide Rail Model SHW** ... A1-138

- Structure and Features ..... A1-139

- Types and Features ..... A1-140

**Dimensional Drawing, Dimensional Table**

Model SHW-CA ..... A1-142

Models SHW-CR and SHW-HR ..... A1-144

- Standard Length and Maximum Length of the LM Rail .. A1-146

- Greasing Hole ..... A1-147

**Caged Ball LM Guide Miniature Type Model SRS** ... A1-148

- Structure and Features ..... A1-149

- Types and Features ..... A1-150

- Flatness of the LM Rail and the LM Block Mounting Surface .. A1-153

**Dimensional Drawing, Dimensional Table**

Models SRS-S, SRS-M and SRS-N ..... A1-154

Models SRS-WS, SRS-WM and SRS-WN ... A1-158

- Standard Length and Maximum Length of the LM Rail .. A1-162

**Caged Ball LM Guide Cross LM Guide Model SCR** ... A1-164

- Structure and Features ..... A1-165

- Types and Features ..... A1-166

**Dimensional Drawing, Dimensional Table**

Model SCR ..... A1-168

- Standard Length and Maximum Length of the LM Rail .. A1-170

- Tapped-hole LM Rail Type of Model SCR .. A1-171

**Caged Ball LM Guide Finite stroke Model EPF** ... A1-172

- Structure and Features ..... A1-173

- Types and Features ..... A1-174
- Accuracy of the Mounting Surface ..... A1-175

### Dimensional Drawing, Dimensional Table

- Model EPF ..... A1-176
- Standard Length of the LM Rail ..... A1-178

### LM Guide Global Standard Size Model HSR ..... A1-180

- Structure and Features ..... A1-181
- Types ..... A1-182

### Dimensional Drawing, Dimensional Table

Models HSR-C, HSR-CM, HSR-LC, HSR-LCM, HSR-XC and HSR-XLC .. A1-186

Model HSR-RM ..... A1-188

Models HSR-R, HSR-RM, HSR-LR, HSR-LRM, HSR-XR and HSR-XLR .. A1-190

Models HSR-A and HSR-AM, Models HSR-LA and HSR-LAM .. A1-192

Models HSR-B, HSR-BM, HSR-LB and HSR-LBM .. A1-194

Models HSR-YR, HSR-YRM and HSR-YXR .. A1-196

Models HSR-CA, HSR-CAM, HSR-HA, HSR-HAM, HSR-XCA and HSR-XHA .. A1-198

Models HSR-CB, HSR-CBM, HSR-HB, HSR-HBM, HSR-XCB and HSR-XHB .. A1-200

Models HSR-HA, HSR-HB and HSR-HR .. A1-202

- Standard Length and Maximum Length of the LM Rail .. A1-204
- Tapped-hole LM Rail Type of Model HSR .. A1-205
- Prevention of LM block from falling off of LM rail ... A1-206
- Greasing Hole ..... A1-206

### LM Guide Radial Type Model SR ..... A1-210

- Structure and Features ..... A1-211
- Types and Features ..... A1-212
- Characteristics of Model SR ..... A1-214

### Dimensional Drawing, Dimensional Table

Models SR-W, SR-WM, SR-V and SR-VM .. A1-216

Models SR-TB, SR-TBM, SR-SB and SR-SBM .. A1-218

- Standard Length and Maximum Length of the LM Rail .. A1-220
- Tapped-hole LM Rail Type of Model SR... A1-221

### LM Guide Ultra-heavy Load Type for Machine Tools Model NR/NRS-X .. A1-222

- Structure and Features ..... A1-223
- Types and Features ..... A1-224

### Dimensional Drawing, Dimensional Table

Models NR-RX, NR-LRX, NR-R and NR-LR .. A1-228

Models NRS-RX, NRS-LRX, NRS-R and NRS-LR .. A1-230

Models NR-CX and NR-LCX ..... A1-232

Models NRS-CX and NRS-LCX ..... A1-234

Models NR-A, NR-LA, NRS-A and NRS-LA .. A1-236

Models NR-B, NR-LB, NRS-B and NRS-LB .. A1-238

- Standard Length and Maximum Length of the LM Rail .. A1-240

### LM Guide Wide Rail Model HRW ..... A1-242

- Structure and Features ..... A1-243
- Types and Features ..... A1-244

### Dimensional Drawing, Dimensional Table

Models HRW-CA and HRW-CAM ..... A1-246

Models HRW-CR, HRW-CRM and HRW-LRM .. A1-248

- Standard Length and Maximum Length of the LM Rail .. A1-250
- Prevention of LM block from falling off of LM rail... A1-250

### LM Guide Miniature Type Model RSX .. A1-252

- Structure and Features ..... A1-253
- Types and Features ..... A1-254
- Flatness of the LM Rail and the LM Block Mounting Surface.. A1-255

### Dimensional Drawing, Dimensional Table

Model RSX-M ..... A1-256

Model RSX-WM ..... A1-258

- Standard Length and Maximum Length of the LM Rail .. A1-260

### LM Guide Miniature Types Model RSR .. A1-262

- Structure and Features ..... A1-263
- Types and Features ..... A1-264
- Accuracy of the Mounting Surface ..... A1-266

### Dimensional Drawing, Dimensional Table

Models RSR-M, RSR-N, RSR-WM, RSR-WN and RSR-WWM .. A1-268

- Standard Length and Maximum Length of the LM Rail .. A1-270
- Prevention of LM block from falling off of LM rail... A1-270

### LM Guide Separate Type (4-way Equal Load) Model HR .... A1-272

- Structure and Features ..... A1-273
- Types and Features ..... A1-274
- Example of Clearance Adjustment ..... A1-275
- Comparison of Model Numbers with Cross-roller Guides .. A1-276

### Dimensional Drawing, Dimensional Table

Models HR, HR-T, HR-M and HR-TM.... A1-278

- Standard Length and Maximum Length of the LM Rail .. A1-282
- Accessories ..... A1-283
- Greasing Hole ..... A1-284

### LM Guide Separate Type (Radial) Model GSR ... A1-286

- Structure and Features ..... A1-287
- Types and Features ..... A1-288
- Example of Clearance Adjustment ..... A1-289

### Dimensional Drawing, Dimensional Table

Models GSR-T and GSR-V ..... A1-290

- Standard Length and Maximum Length of the LM Rail .. [A1-292](#)
- Tapped-hole LM Rail Type of Model GSR .. [A1-292](#)

#### LM Guide Separate Type (Radial) Model GSR-R ... [A1-294](#)

- Structure and Features ..... [A1-295](#)
- Types and Features ..... [A1-296](#)

#### Dimensional Drawing, Dimensional Table

- Model GSR-R ..... [A1-298](#)
- Standard Length of the LM Rail ..... [A1-300](#)
  - Rack and Pinion ..... [A1-301](#)
  - Rack and Pinion Dimensional Drawing.... [A1-304](#)

#### LM Guide Cross LM Guide Model CSR .. [A1-306](#)

- Structure and Features ..... [A1-307](#)
- Types and Features ..... [A1-308](#)

#### Dimensional Drawing, Dimensional Table

- Model CSR ..... [A1-310](#)
- Standard Length and Maximum Length of the LM Rail .. [A1-312](#)
  - Tapped-hole LM Rail Type of Model CSR .. [A1-313](#)

#### LM Guide Miniature Cross Guide Model MX... [A1-314](#)

- Structure and Features ..... [A1-315](#)
- Types and Features ..... [A1-315](#)

#### Dimensional Drawing, Dimensional Table

- Model MX ..... [A1-316](#)
- Standard Length and Maximum Length of the LM Rail .. [A1-318](#)

#### LM Guide Structural Member Rail Model JR... [A1-320](#)

- Structure and Features ..... [A1-321](#)
- Second Moment of Inertia of the LM Rail .. [A1-321](#)
- Types and Features ..... [A1-322](#)

#### Dimensional Drawing, Dimensional Table

- Models JR-A, JR-B and JR-R..... [A1-324](#)
- Standard Length and Maximum Length of the LM Rail .. [A1-326](#)
  - Model JB frame for LM rail clamps..... [A1-327](#)
  - Model JT steel plate for LM rail clamps... [A1-327](#)

#### LM Guide R Guide Model HCR ..... [A1-328](#)

- Structure and Features ..... [A1-329](#)
- Types and Features ..... [A1-330](#)

#### Dimensional Drawing, Dimensional Table

- R Guide Model HCR..... [A1-332](#)

#### LM Guide Straight-Curved Guide Model HMG... [A1-334](#)

- Structure and Features ..... [A1-335](#)
- Types and Features ..... [A1-337](#)
- Examples of Table Mechanisms ..... [A1-338](#)

#### Dimensional Drawing, Dimensional Table

- Model HMG ..... [A1-340](#)
- Jointed LM rail..... [A1-342](#)

#### LM Guide Self-aligning Type Model NSR-TBC ... [A1-344](#)

- Structure and Features ..... [A1-345](#)
- Types and Features ..... [A1-345](#)

#### Dimensional Drawing, Dimensional Table

- Model NSR-TBC..... [A1-346](#)
- Standard Length and Maximum Length of the LM Rail .. [A1-348](#)

#### LM Guide High Temperature Type Model HSR-M1 ... [A1-350](#)

- Structure and Features ..... [A1-351](#)
- Types and Features ..... [A1-353](#)
- Service Life..... [A1-354](#)

#### Dimensional Drawing, Dimensional Table

- Models HSR-M1A and HSR-M1LA..... [A1-356](#)
- Models HSR-M1B and HSR-M1LB..... [A1-358](#)
- Models HSR-M1R and HSR-M1LR..... [A1-360](#)
- Model HSR-M1YR..... [A1-362](#)
- Standard Length and Maximum Length of the LM Rail .. [A1-364](#)

#### LM Guide High Temperature Type Model SR-M1... [A1-366](#)

- Structure and Features ..... [A1-367](#)
- Thermal Characteristics of LM Rail and LM Block Materials .. [A1-367](#)
- Types and Features ..... [A1-368](#)
- Service Life..... [A1-369](#)

#### Dimensional Drawing, Dimensional Table

- Models SR-M1W and SR-M1V..... [A1-370](#)
- Models SR-M1TB and SR-M1SB..... [A1-372](#)
- Standard Length and Maximum Length of the LM Rail .. [A1-374](#)

#### LM Guide High Temperature Type Model RSR-M1 ... [A1-376](#)

- Structure and Features ..... [A1-377](#)
- Thermal Characteristics of LM Rail and LM Block Materials .. [A1-377](#)
- Types and Features ..... [A1-378](#)
- Service Life..... [A1-379](#)

#### Dimensional Drawing, Dimensional Table

- Models RSR-M1K, RSR-M1V and RSR-M1N .. [A1-380](#)
- Models RSR-M1WV and RSR-M1WN... [A1-382](#)
- Standard Length and Maximum Length of the LM Rail .. [A1-384](#)



- Prevention of LM block from falling off of LM rail .. [A1-1384](#)

#### LM Guide High Corrosion Resistance Type Model HSR-M2 .. [A1-1386](#)

- Structure and Features .. [A1-1387](#)
- Types and Features .. [A1-1387](#)

#### Dimensional Drawing, Dimensional Table

##### Model HSR-M2A .. [A1-1388](#)

- Standard Length and Maximum Length of the LM Rail .. [A1-1390](#)

#### LM Guide Medium-to-Low Vacuum Type Model HSR-M1VV .. [A1-1392](#)

- Structure and Features .. [A1-1393](#)
- Types and Features .. [A1-1394](#)
- Precautions on Design .. [A1-1394](#)

#### Dimensional Drawing, Dimensional Table

##### Model HSR-M1VV .. [A1-1396](#)

- Standard Length and Maximum Length of the LM Rail .. [A1-1398](#)

#### LM Guide Oil-Free for Special Environments Model SR-MS .. [A1-1400](#)

- Structure and Features .. [A1-1401](#)
- Nominal Life Equation for the Oil-Free LM Guide .. [A1-1403](#)
- Types and Features .. [A1-1403](#)

#### Dimensional Drawing, Dimensional Table

##### Models SR-MSV and SR-MSW .. [A1-1404](#)

- Standard Length and Maximum Length of the LM Rail .. [A1-1406](#)

#### Structure and Features of the Caged Roller LM Guide .. [A1-1408](#)

- Advantages of the Caged Roller Technology .. [A1-1409](#)

#### Caged Roller LM Guide Ultra-high Rigidity Type Model SRG .. [A1-1412](#)

- Structure and Features .. [A1-1413](#)
- Types and Features .. [A1-1414](#)
- Error Allowance of the Mounting Surface .. [A1-1417](#)

#### Dimensional Drawing, Dimensional Table

##### Models SRG-A, SRG-LA, SRG-C and SRG-LC .. [A1-1418](#)

##### Models SRG-C, SRG-LC and SRG-SLC .. [A1-1420](#)

##### Model SRG-LC .. [A1-1422](#)

##### Models SRG-V, SRG-LV, SRG-R and SRG-LR .. [A1-1424](#)

##### Models SRG-V, SRG-LV, SRG-SLV, SRG-R, SRG-LR and SRG-SLR .. [A1-1426](#)

- Standard Length and Maximum Length of the LM Rail .. [A1-1428](#)
- Plate Cover .. [A1-1429](#)
- Greasing Hole .. [A1-1430](#)

#### Caged Roller LM Guide Ultra-high Rigidity Type (Low Center of Gravity) Model SRN .. [A1-1432](#)

- Structure and Features .. [A1-1433](#)
- Types and Features .. [A1-1434](#)

- Error Allowance of the Mounting Surface .. [A1-1436](#)

#### Dimensional Drawing, Dimensional Table

##### Models SRN-C, SRN-LC and SRN-SLC .. [A1-1438](#)

##### Models SRN-R, SRN-LR and SRN-SLR .. [A1-1440](#)

- Standard Length and Maximum Length of the LM Rail .. [A1-1442](#)
- Plate Cover .. [A1-1443](#)
- Greasing Hole .. [A1-1444](#)

#### Caged Roller LM Guide Ultra-high Rigidity Type (Wide) Model SRW .. [A1-1446](#)

- Structure and Features .. [A1-1447](#)
- Types and Features .. [A1-1448](#)
- Permissible Error of the Mounting Surface .. [A1-1449](#)

#### Dimensional Drawing, Dimensional Table

##### Model SRW-LR .. [A1-1450](#)

- Standard Length and Maximum Length of the LM Rail .. [A1-1452](#)
- Greasing Hole .. [A1-1453](#)

#### Point of Design .. [A1-1454](#)

##### Designing the Guide System .. [A1-1454](#)

- Examples of Arrangements of the Guide System .. [A1-1455](#)
- Method for Securing an LM Guide to Meet the Conditions .. [A1-1459](#)

##### Designing a Mounting Surface .. [A1-1461](#)

- Designing a Mounting Surface .. [A1-1461](#)
- Shoulder Height of the Mounting Base and the Corner Radius .. [A1-1463](#)
- Permissible Error of the Mounting Surface .. [A1-1470](#)
- Marking on the Master LM Guide and Combined Use .. [A1-1475](#)

#### Options .. [A1-1477](#)

##### Table of Supported Options by Models .. [A1-1478](#)

##### Seal and Metal scraper .. [A1-1482](#)

##### Laminated Contact Scraper LaCS .. [A1-1484](#)

##### Side Scraper .. [A1-1486](#)

##### Protector .. [A1-1487](#)

##### Light-Resistance Contact Seal LiCS .. [A1-1489](#)

##### High Chemical Resistance Fluorine Seal FS .. [A1-1490](#)

##### Dimensions of Each Model with an Option Attached .. [A1-1491](#)

- The LM Block Dimension (Dimension L) with LaCS and Seals Attached .. [A1-1491](#)
- Incremental Dimension with Grease Nipple (When LaCS is Attached) .. [A1-1499](#)
- LM Block Dimension (Dimension L) with LiCS Attached .. [A1-1501](#)
- Incremental Dimension with Grease Nipple (When LiCS is Attached) .. [A1-1502](#)
- Overall block length with fluorine seals and other accessories attached .. [A1-1503](#)
- Maximum Seal Resistance .. [A1-1504](#)
- Maximum resistance for LaCS .. [A1-1507](#)
- Maximum resistance for LiCS .. [A1-1508](#)
- Maximum seal resistance of FS .. [A1-1508](#)
- Maximum resistance for the side scraper .. [A1-1508](#)

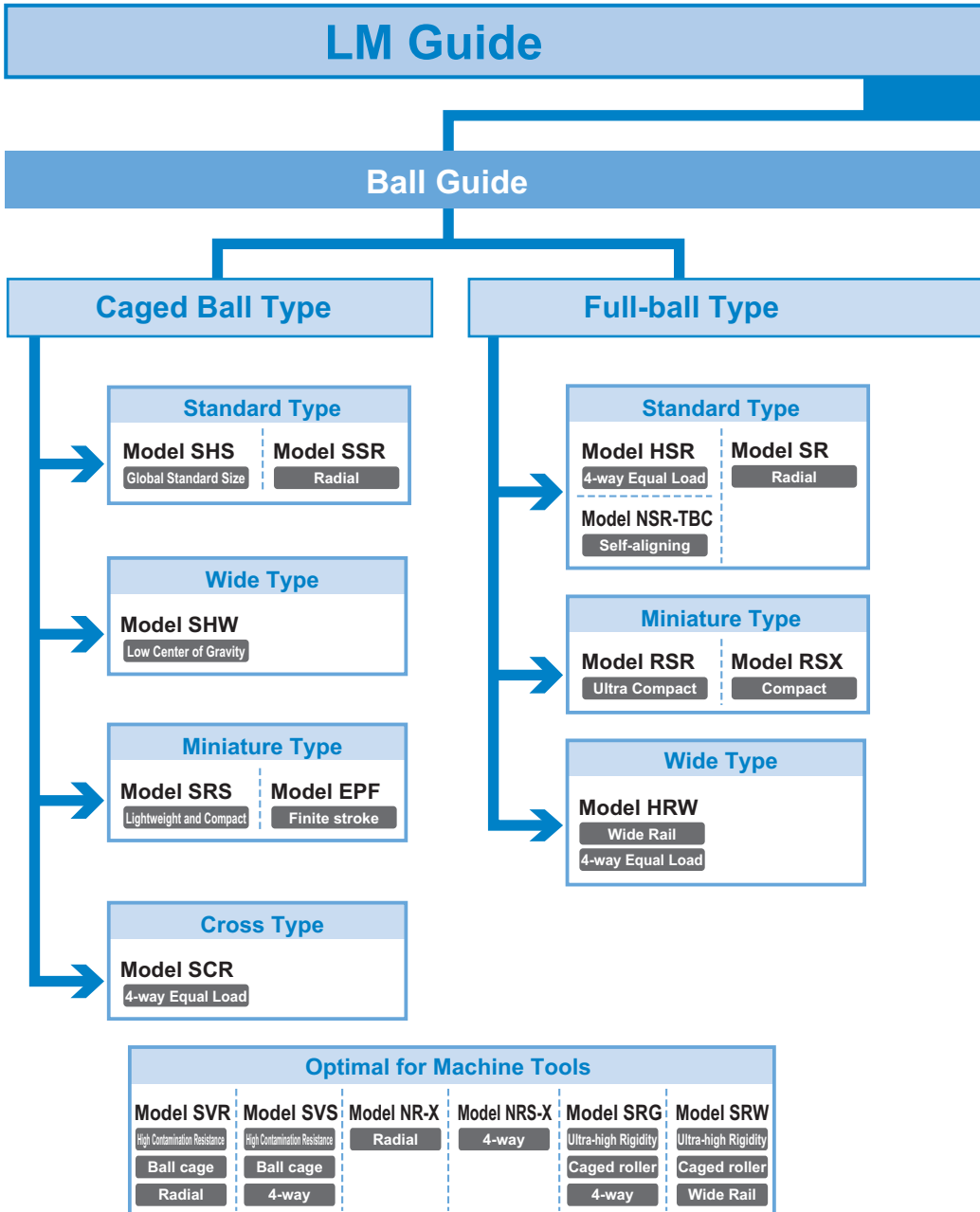
##### QZ Lubricator .. [A1-1509](#)

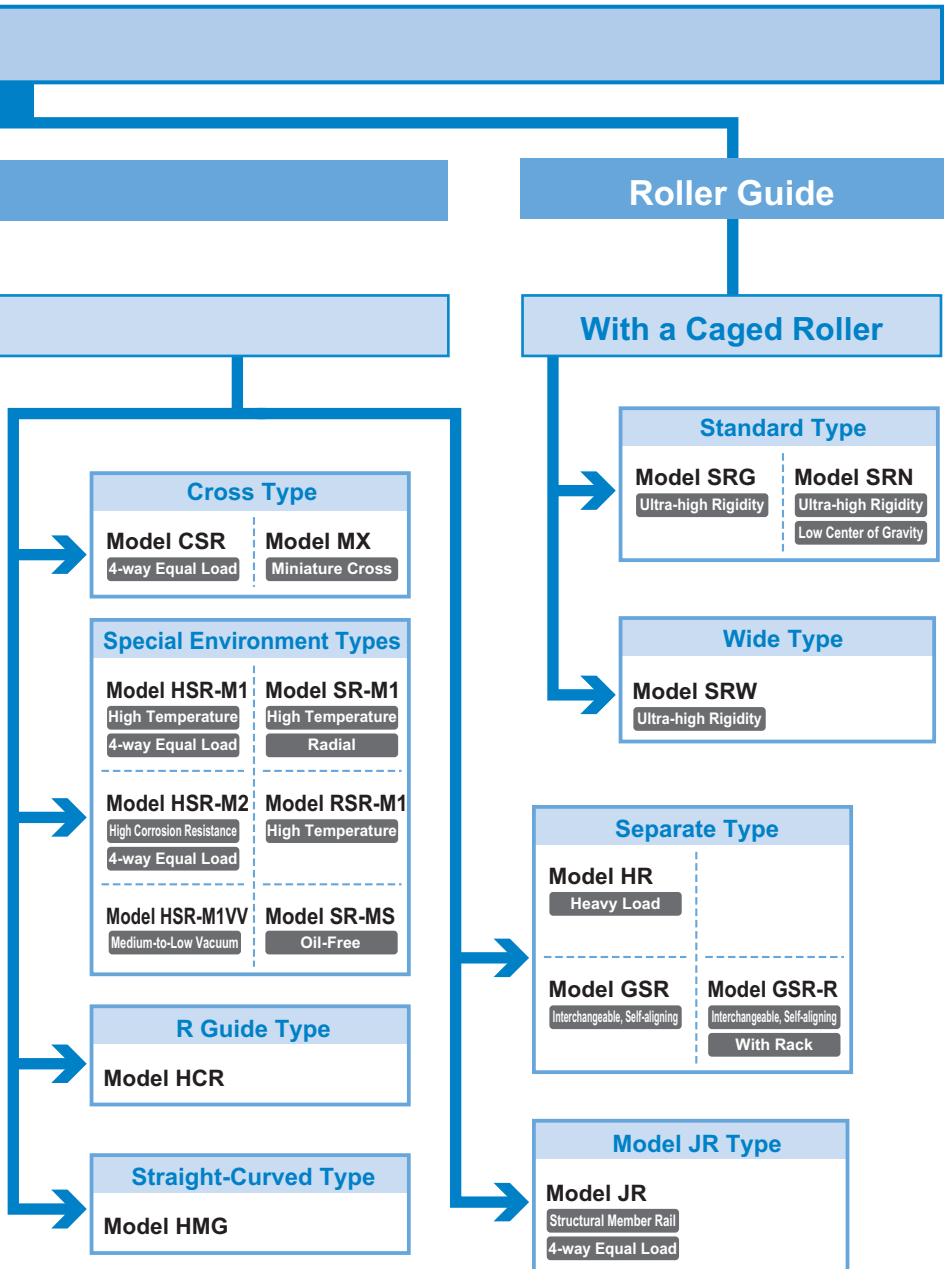
• LM Block Dimension (Dimension L) with QZ Attached ..	A1-512
List of Parts Symbols .....	A1-516
Dedicated Bellows .....	A1-519
• Bellows .....	A1-520
Dedicated LM Cover .....	A1-532
• LM Cover .....	A1-533
Dedicated Cap for LM Rail Mounting Holes ..	A1-534
Plate Cover SV Steel Tape SP .....	A1-537
Lubrication Adapter .....	A1-540
Removing/mounting Jig .....	A1-541
End Piece EP .....	A1-542
<b>Model No.</b> .....	A1-543
• Model Number Coding .....	A1-543
• Notes on Ordering .....	A1-547
<b>Precautions on Use</b> .....	A1-549
Precautions on Using the LM Guide .....	A1-549
Precautions on Handling the LM Guide for Special Environment ..	A1-551
• LM Guide for Medium-to-Low Vacuum ....	A1-551
• Oil-Free LM Guide .....	A1-551
Precautions on Using Options for the LM Guide ..	A1-552
• QZ Lubricator for the LM Guide .....	A1-552
• Laminated Contact Scraper LaCS, Side Scraper for LM Guides ..	A1-552
• Light Contact Seal LiCS for LM Guides ...	A1-553
• High Chemical Resistance Fluorine Seal FS for the LM Guide ..	A1-553
• Cap GC .....	A1-553

## **B** Support Book (Separate)

<b>Features and Types</b> .....	<a href="#">B1-8</a>	
<b>Features of the LM Guide</b> .....	<a href="#">B1-8</a>	
• Large Permissible Load and High Rigidity ..	<a href="#">B1-9</a>	
• High Precision of Motion .....	<a href="#">B1-11</a>	
• Accuracy Averaging Effect by Absorbing Mounting Surface Error ..	<a href="#">B1-14</a>	
• Easy Maintenance .....	<a href="#">B1-16</a>	
• Substantial Energy Savings .....	<a href="#">B1-17</a>	
• Low Total Cost .....	<a href="#">B1-18</a>	
• Ideal Four Raceway, Circular-Arc Groove, Two-Point Contact Structure ..	<a href="#">B1-19</a>	
• Superb Error-Absorbing Capability with the DF Design ..	<a href="#">B1-23</a>	
<b>Classification Table of the LM Guides</b> ..	<a href="#">B1-24</a>	
<b>Point of Selection</b> .....	<a href="#">B1-26</a>	
<b>Flowchart for Selecting an LM Guide</b> ....	<a href="#">B1-26</a>	
<b>Setting Conditions</b> .....	<a href="#">B1-28</a>	
• Conditions of the LM Guide .....	<a href="#">B1-28</a>	
<b>Selecting a Type</b> .....	<a href="#">B1-44</a>	
• Types of LM Guides .....	<a href="#">B1-44</a>	
<b>Calculating the Applied Load</b> .....	<a href="#">B1-56</a>	
• Calculating an Applied Load .....	<a href="#">B1-56</a>	
• Example of calculation .....	<a href="#">B1-59</a>	
<b>Calculating the Equivalent Load</b> .....	<a href="#">B1-66</a>	
• Rated Load of an LM Guide in Each Direction ..	<a href="#">B1-66</a>	
<b>Calculating the Static Safety Factor</b> .....	<a href="#">B1-68</a>	
<b>Calculating the Average Load</b> .....	<a href="#">B1-69</a>	
• Example of Calculating the Average Load (1) - with Horizontal Mount and Acceleration/Deceleration Considered - ..	<a href="#">B1-71</a>	
• Example of Calculating the Average Load (2) - When the Rails are Movable .....	<a href="#">B1-72</a>	
<b>Calculating the Nominal Life</b> .....	<a href="#">B1-73</a>	
• Calculating the Nominal Life .....	<a href="#">B1-73</a>	
• Calculating the Modified Nominal Life .....	<a href="#">B1-74</a>	
• Nominal Life Equation for the Oil-Free LM Guide ..	<a href="#">B1-74</a>	
• Example of Calculating the Nominal Life (1) - with Horizontal Mount and High-speed Acceleration ..	<a href="#">B1-77</a>	
• Example of Calculating the Nominal Life (2) - with Vertical Mount .....	<a href="#">B1-82</a>	
<b>Predicting the Rigidity</b> .....	<a href="#">B1-85</a>	
• Selecting a Radial Clearance (Preload) ..	<a href="#">B1-85</a>	
• Service Life with a Preload Considered ..	<a href="#">B1-86</a>	
• Rigidity .....	<a href="#">B1-86</a>	
<b>Determining the Accuracy</b> .....	<a href="#">B1-87</a>	
• Accuracy Standards .....	<a href="#">B1-87</a>	
• Guidelines for Accuracy Grades by Machine Type ..	<a href="#">B1-88</a>	
<b>Mounting Procedure and Maintenance</b> ..	<a href="#">B1-89</a>	
<b>Mounting the LM Guide</b> .....	<a href="#">B1-89</a>	
• Marking on the Master LM Guide and Combined Use ..	<a href="#">B1-89</a>	
• Mounting Procedure .....	<a href="#">B1-91</a>	
		• Methods for Measuring Accuracy after Installation .. <a href="#">B1-101</a>
		• Recommended Tightening Torque for LM Rails .. <a href="#">B1-101</a>
<b>Options</b> .....	<a href="#">B1-103</a>	
<b>Seal and Metal scraper</b> .....	<a href="#">B1-104</a>	
<b>Laminated Contact Scraper LaCS</b> .....	<a href="#">B1-106</a>	
<b>Side Scraper</b> .....	<a href="#">B1-108</a>	
<b>Protector</b> .....	<a href="#">B1-109</a>	
<b>Light-Resistance Contact Seal LiCS</b> .....	<a href="#">B1-110</a>	
<b>High Chemical Resistance Fluorine Seal FS</b> ..	<a href="#">B1-111</a>	
<b>Dedicated bellows</b> .....	<a href="#">B1-112</a>	
<b>Dedicated LM Cover</b> .....	<a href="#">B1-112</a>	
<b>Dedicated Cap for LM Rail Mounting Holes</b> ..	<a href="#">B1-113</a>	
<b>Plate Cover SV Steel Tape SP</b> .....	<a href="#">B1-115</a>	
<b>QZ Lubricator</b> .....	<a href="#">B1-118</a>	
<b>Lubrication Adapter</b> .....	<a href="#">B1-121</a>	
<b>Removing/mounting Jig</b> .....	<a href="#">B1-122</a>	
<b>End Piece EP</b> .....	<a href="#">B1-123</a>	
<b>Model No.</b> .....	<a href="#">B1-124</a>	
• Model Number Coding .....	<a href="#">B1-124</a>	
• Notes on Ordering .....	<a href="#">B1-128</a>	
<b>Precautions on Use</b> .....	<a href="#">B1-130</a>	
<b>Precautions on Using the LM Guide</b> .....	<a href="#">B1-130</a>	
<b>Precautions on Handling the LM Guide for Special Environment</b> ..	<a href="#">B1-132</a>	
• LM Guide for Medium-to-Low Vacuum ....	<a href="#">B1-132</a>	
• Oil-Free LM Guide .....	<a href="#">B1-132</a>	
<b>Precautions on Using Options for the LM Guide</b> ..	<a href="#">B1-133</a>	
• QZ Lubricator for the LM Guide .....	<a href="#">B1-133</a>	
• Laminated Contact Scraper LaCS, Side Scraper for LM Guides ..	<a href="#">B1-133</a>	
• Light Contact Seal LiCS for LM Guides ..	<a href="#">B1-134</a>	
• High Chemical Resistance Fluorine Seal FS for the LM Guide ..	<a href="#">B1-134</a>	
• Cap GC .....	<a href="#">B1-134</a>	

# Classification Table of the LM Guides

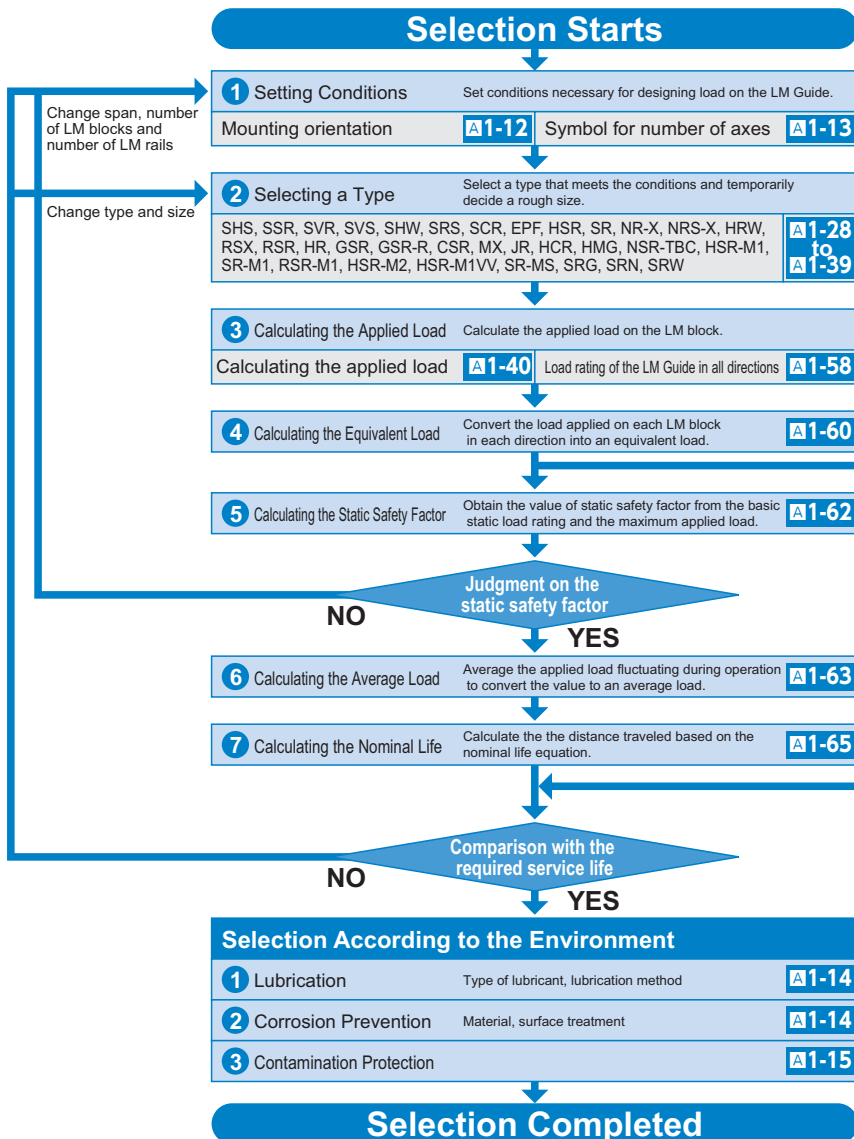




# Flowchart for Selecting an LM Guide

## [Steps for Selecting an LM Guide]

The following flowchart can be used as reference for selecting an LM Guide.



- Space in the guide section
- Dimensions (span, number of LM blocks, number of LM rails, thrust)
- Installation direction (horizontal, vertical, slant mount, wall mount, suspended)
- Magnitude, direction and position of the working load
- Operating frequency (duty cycle)
- Speed (acceleration)
- Stroke length
- Required service life
- Precision of motion
- Environment
- In a special environment (vacuum, clean room, high temperature, environment exposed to contaminated environment, etc.), it is necessary to take into account material, surface treatment, lubrication and contamination protection.

### Prediction the Rigidity

- |   |  |        |
|---|--|--------|
| 1 | Selecting a Radial Clearance (Preload)   | A1-69  |
| 2 | Service Life with a Preload Considered   | A1-70  |
| 3 | Rigidity                                 | A1-70  |
| 4 | Radial Clearance Standard for Each Model | A1-71  |
| 5 | Designing the Guide System               | A1-454 |

### Determining the Accuracy

- |   |  |        |
|---|--|--------|
| 1 | Accuracy Standards                             | A1-74  |
| 2 | Guidelines for Accuracy Grades by Machine Type | A1-75  |
| 3 | Accuracy Standard for Each Model               | A1-76~ |

# Setting Conditions

## Conditions of the LM Guide

### [Mounting Orientation]

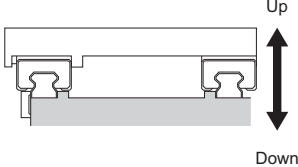
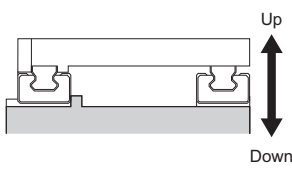
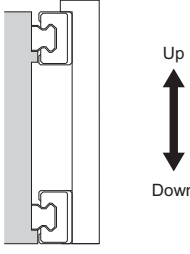
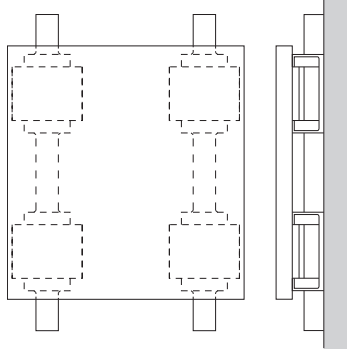
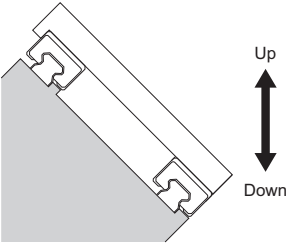
The LM Guide can be mounted in the following five orientations.

If the mounting orientation of the LM Guide is other than horizontal use, the lubricant may not reach the raceway completely.

Be sure to let THK know the mounting orientation and the exact position in each LM block where the grease nipple or the piping joint should be attached.

For the lubrication, see **A24-2**.

### [Mounting Orientation]

Horizontal (symbol: H)	Inverted (symbol: R)	Wall mount (symbol: K)
		
Vertical (symbol: V)		Slant mount (symbol: T)
		



**[Symbol for Number of Axes]**

If two or more units of the LM Guide are parallelly used in combination on the same plane, specify the number of the LM rails (symbol for number of axes) used in combination in advance.

(For accuracy standards and radial clearance standards, see **A1-76** and **A1-71**, respectively.)

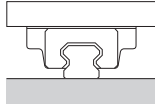
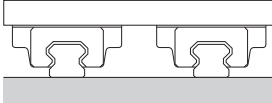
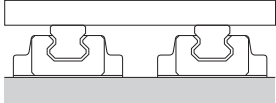
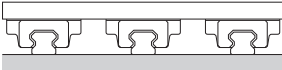
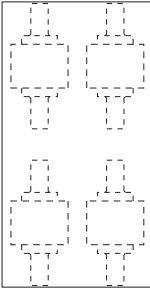
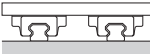
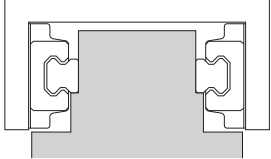
**Model number coding**

**SHS25C2SSCO+1000LP - II**

Model number (details are given on the corresponding page of the model)

Symbol for number of axes  
("II" indicates 2 axes. No symbol for a single axis)

**[Symbol for Number of Axes]**

Symbol for number of axes: none	Symbol for number of axes: II	Symbol for number of axes: II
<p><b>Required number of axes: 1</b></p> 	<p><b>Required number of axes: 2</b></p>  <p>Note: When placing an order, specify the number in multiple of 2 axes.</p>	<p><b>Required number of axes: 2</b></p>  <p>Note: When placing an order, specify the number in multiple of 2 axes.</p>
Symbol for number of axes: III	Symbol for number of axes: IV	Other
<p><b>Required number of axes: 3</b></p>  <p>Note: When placing an order, specify the number in multiple of 3 axes.</p>	<p><b>Required number of axes: 4</b></p>   <p>Note: When placing an order, specify the number in multiple of 4 axes.</p>	<p><b>Required number of axes: 2</b></p>  <p>Using 2 axes opposed to each other</p>

## [Service environment]

### ● Lubrication

When using an LM system, it is necessary to provide effective lubrication. Without lubrication, the rolling elements or the raceway may be worn faster and the service life may be shortened.

A lubricant has effects such as the following.

- (1) Minimizes friction in moving elements to prevent seizure and reduce wear.
- (2) Forms an oil film on the raceway to decrease stress acting on the surface and extend rolling fatigue life.
- (3) Covers the metal surface to prevent rust formation.

To fully bring out the LM Guide's functions, it is necessary to provide lubrication according to the conditions.

If the mounting orientation is other than horizontal use, the lubricant may not reach the raceway completely.

Be sure to let THK know the mounting orientation and the exact position in each LM block where the grease nipple or the piping joint should be attached. For the mounting orientations of LM Guides, see **A1-12**. For the lubrication, see **A24-2**.

Even with an LM Guide with seals, the internal lubricant gradually seeps out during operation. Therefore, the system needs to be lubricated at an appropriate interval according to the service conditions.

### ● Corrosion Prevention

#### ■Determining a Material

Any LM system requires a material that meets the environments. For use in environments where corrosion resistance is required, some LM system models can use martensite stainless steel.

(Martensitic stainless steel can be used for LM Guide models SHS, SSR, SHW, SRS, HSR, SR, HRW, RSX, RSR and HR.)

The HSR series includes HSR-M2, a highly corrosion resistant LM Guide using austenite stainless steel, which has high anti-corrosive effect. For details, see **A1-386**.

#### ■Surface Treatment

The surfaces of the rails and shafts of LM systems can be treated for anti-corrosive or aesthetic purposes.

THK offers THK-AP treatment, which is the optimum surface treatment for LM systems.

There are roughly three types of THK-AP treatment: AP-HC, AP-C and AP-CF. (See **B0-20**.)

### ● Contamination Protection

When foreign material enters an LM system, it will cause abnormal wear or shorten the service life, and it is necessary to prevent foreign material from entering the system. When entrance of foreign material is predicted, it is important to select an effective sealing device or dust-control device that meets the environment conditions.

THK offers contamination protection accessories for LM Guides by model number, such as end seals made of special synthetic rubber with high wear resistance, and side seals and inner seals for further increasing dust-prevention effect.

In addition, for locations with adverse environment, Laminated Contact Scraper LaCS and dedicated bellows are available by model number. Also, THK offers dedicated caps for LM rail mounting holes, designed to prevent cutting chips from entering the LM rail mounting holes.

When it is required to provide contamination protection for a Ball Screw in an environment exposed to cutting chips and moisture, we recommend using a telescopic cover that protects the whole system or a large bellows.

For the options, see **A1-482**.

## [Special environments]

## Clean Room

In a clean environment generation of dust from the LM system has to be reduced and anti-rust oil cannot be used. Therefore, it is necessary to increase the corrosion resistance of the LM system. In addition, depending on the level of cleanliness, a dust collector is required.

### Dust Generation from the LM System

#### ■ Measure to Prevent Dust Generation Resulting from Flying Grease

##### THK AFE-CA and AFF Grease

Use environmentally clean grease that produces little dust.

#### ■ Measure to Reduce Dust Generation Resulting from Metallic Abrasion Dust

##### Caged Ball LM Guide

Use the Caged Ball LM Guide, which has no friction between balls and generates little metallic abrasion dust, to allow generation of dust to be minimized.

### Corrosion Prevention

#### ■ Material-based Measure

##### Stainless Steel LM Guide

This LM Guide uses martensite stainless steel, which has corrosion resistant effect.

##### Highly Corrosion Resistant LM Guide


It uses austenite stainless steel, which has a high corrosion resistant effect, in its LM rail.

#### ■ Measure Through Surface Treatment

##### THK AP-HC, AP-C and AP-CF Treatment

The LM system is surface treated to increase corrosion resistance.

### Caged Ball LM Guide

 SHS SSR SVR/SVS  
SHW SRS SCR EPF

### Caged Roller LM Guide

 SRG SRN SRW

### Stainless Steel LM Guide

 SHS SSR SHW SRS HSR  
SR HRW HR RSX RSR

### LM Guides for Special Environment

 High Corrosion Resistance HSR-M2  
Oil-Free SR-MS

### Surface Treatment

### Grease

SHS  A1-92	SSR  A1-104	SVR/SVS  A1-118	SHW  A1-138	
SRS  A1-148	SCR  A1-164	EPF  A1-172		
SRG  A1-412	SRN  A1-432	SRW  A1-446		
SHS  A1-92	SSR  A1-104	SHW  A1-138	SRS  A1-148	HSR  A1-180
SR  A1-210	HRW  A1-242	HR  A1-272	RSX  A1-252	RSR  A1-262
HSR-M2  A1-386	SR-MS  A1-400			
THK AP-HC Treatment  B0-20				
THK AFE-CA Grease  A24-13	THK AFF Grease  A24-15	L100 Grease  A24-25		

## Vacuum

In a vacuum environment, measures are required to prevent gas from being emitted from a resin and the scattering of grease. Anti-rust oil cannot be used, therefore, it is necessary to select a product with high corrosion resistance.

### ■ Measure to Prevent Emission of Gas from Resin

#### Stainless Steel LM Guide

The endplate (ball circulation path normally made of resin) of the LM block is made of stainless steel to reduce emission of gas.

### ■ Measure to Prevent Grease from Evaporating

#### Vacuum Grease

If a general-purpose grease is used in a vacuum environment, oil contained in the grease evaporates and the grease loses lubricity. Therefore, use a vacuum grease that uses fluorine based oil, whose vapor pressure is low, as the base oil.

### ■ Corrosion Prevention

#### Stainless Steel LM Guide

In a vacuum environment, use a stainless steel LM Guide, which is highly corrosion resistant.

#### High Temperature LM Guide

If high temperature is predicted due to baking, use a High Temperature LM Guide, which is highly resistant to heat and corrosion.

### ■ Highly Corrosion Resistant LM Guide

This LM Guide uses austenite stainless steel, which has a high anti-corrosion effect, in the LM rail.

## Oil-Free

In environments susceptible to liquid lubricants, a lubrication method other than grease or oil is required.

### ■ Dry Lubricant

#### Dry Lubrication S-Compound Film

Dry Lubrication S-Compound Film is a fully dry lubricant developed for use under atmospheric to high-vacuum environments. It has superior characteristics in load carrying capacity, wear resistance and sealability to other lubrication systems.

### High Temperature LM Guide



HSR-M1 SR-M1  
RSR-M1

### LM Guides for Special Environment



For Medium-to-Low Vacuum HSR-M1VV  
Oil-Free SR-MS

### Highly Corrosion Resistant LM Guide

### Stainless Steel LM Guide

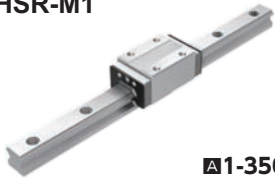


HSR SR HRW HR  
RSX RSR

### Vacuum Grease

### Oil-Free LM Guide

HSR-M1



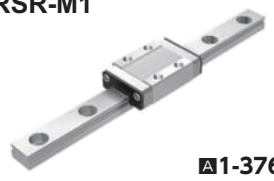
A1-350

SR-M1



A1-366

RSR-M1



A1-376

HSR-M1VV



A1-392

SR-MS



A1-400

HSR-M2



A1-386

HSR



A1-180

SR



A1-210

HRW



A1-242

HR



A1-272

RSX



A1-252

RSR



A1-262

SR-MS



A1-400

# Corrosion Prevention

As with clean room applications, it is necessary to increase corrosion resistance through material selection and surface treatment.

## ■ Material-based Measure

### Stainless Steel LM Guide

This LM Guide uses martensite stainless steel, which has an anti-corrosion effect.

### Highly Corrosion Resistant LM Guide

It uses austenite stainless steel, which has a high anti-corrosion effect, in its LM rail.

## ■ Measure Through Surface Treatment

### THK AP-HC, AP-C and AP-CF Treatment

The LM system is surface treated to increase corrosion resistance.

## Stainless Steel LM Guide






SHS SSR SHW SRS HSR  
SR HRW HR RSX RSR

## Highly Corrosion Resistant LM Guide

## Surface Treatment



<p><b>SHS</b></p>  <p><b>A1-92</b></p>	<p><b>SSR</b></p>  <p><b>A1-104</b></p>	<p><b>SHW</b></p>  <p><b>A1-138</b></p>	<p><b>SRS</b></p>  <p><b>A1-148</b></p>
<p><b>HSR</b></p>  <p><b>A1-180</b></p>	<p><b>SR</b></p>  <p><b>A1-210</b></p>	<p><b>HRW</b></p>  <p><b>A1-242</b></p>	<p><b>HR</b></p>  <p><b>A1-272</b></p>
<p><b>RSX</b></p>  <p><b>A1-252</b></p>	<p><b>RSR</b></p>  <p><b>A1-262</b></p>		
<p><b>HSR-M2</b></p>  <p><b>A1-386</b></p>			
<p><b>THK AP-HC Treatment</b></p>  <p><b>B0-20</b></p>			
<p><b>THK AP-C Treatment</b></p>  <p><b>B0-20</b></p>			
<p><b>THK AP-CF Treatment</b></p>  <p><b>B0-20</b></p>			

## High Speed

In a high speed environment, it is necessary to apply an optimum lubrication method that reduces heat generation during high speed operation and increases grease retention.

### ■ Measures to Reduce Heat Generation

#### Caged Ball LM Guide

Use of a ball cage eliminates friction between balls to reduce heat generation. In addition, grease retention is increased, thus to achieve long service life and high speed operation.

#### THK AFA Grease, AFJ Grease

It reduces heat generation in high speed operation and has superb lubricity.

### ■ Measure to Improve Lubrication

#### QZ Lubricator

Continuous oil lubrication ensures that the lubrication and maintenance interval can significantly be extended. It also applies the right amount of oil to the raceway, making itself an eco-friendly lubrication system that does not contaminate the surrounding area.

### Caged Ball LM Guide

Supported models

SHS SSR SVR/SVS  
SHW SRS SCR EPF

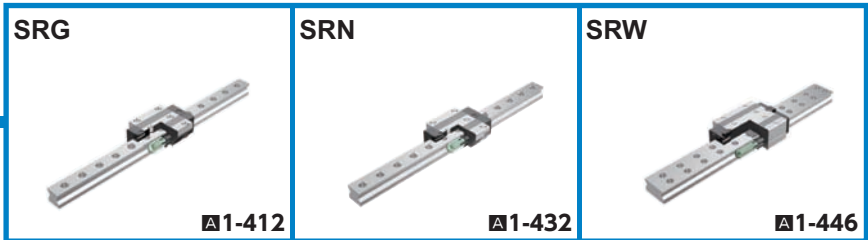
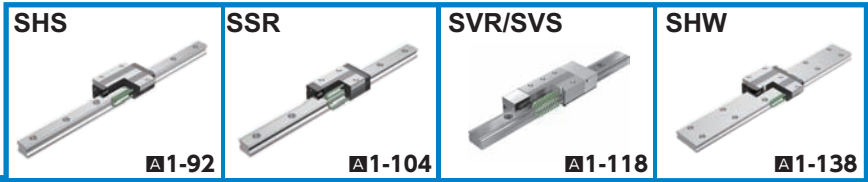
### Caged Roller LM Guide

Supported models

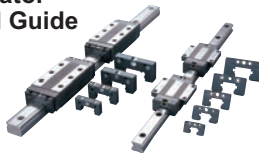
SRG SRN SRW

### QZ Lubricator

### Grease



**QZ Lubricator  
for the LM Guide**



**A1-509**

**THK AFA Grease**



**A24-7**

**THK AFJ Grease**



**A24-21**

## High Temperature

In a high temperature environment, dimensional alterations caused by heat is problematic. Use a High Temperature LM Guide, which is heat resistant and has minimal dimensional alterations after being heated. Also, use a high temperature grease.

### Heat Resistance

#### High Temperature LM Guide

A special heat treatment to maintain dimensional stability minimizes dimensional variations due to heating and cooling.

### Grease

#### High Temperature Grease

Use a high temperature grease with which the rolling resistance of the LM system is consistent even at high temperature.

## High Temperature LM Guide



HSR-M1 SR-M1 RSR-M1  
HSR-M1VV

## High Temperature Grease

## Low Temperature

In a low temperature environment, use an LM system with a minimal amount of resin components and a grease that minimize fluctuations in rolling resistance, even at low temperature.

### Impact of Low Temperature on Resin Components

#### Stainless Steel LM Guide

The endplate (ball circulation path normally made of resin) of the LM block is made of stainless steel.

### Corrosion Prevention

Provide surface treatment to the LM system to increase its corrosion resistance.

### Grease

Use THK AFC Grease, with which the rolling resistance of the system little is consistent even at low temperature.

## Stainless Steel LM Guide



SHS SSR SHW SRS HSR  
SR HRW HR RSX RSR

## Surface Treatment

## Low Temperature Grease

## Micro Motion

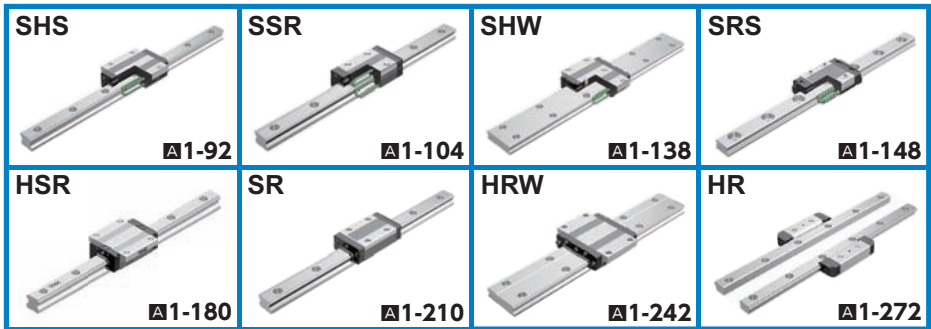
Micro strokes cause the oil film to break, resulting in poor lubrication and early wear. In such cases, select a grease with which the oil film strength is high and an oil film can easily be formed.

### Grease

#### THK AFC Grease

AFC Grease is a urea-based grease that excels in oil film strength and wear resistance.

## Grease



## Foreign Matter

If foreign matter enters the LM system, it will cause abnormal wear and shorten the service life. Therefore, it is necessary to prevent such entrance of foreign matter.

Especially in an environment containing small foreign matter or a water-soluble coolant that a telescopic cover or a bellows cannot remove, it is necessary to attach a contamination protection accessory capable of efficiently removing foreign matter.

### ■ Metal Scraper

It is used to remove relatively large foreign objects such as cutting chips, spatter and sand or hard foreign matter that adhere to the LM rail.

### ■ Laminated Contact Scraper LaCS

Unlike a metal scraper, it removes foreign matter while it is in contact with the LM rail. Therefore, it demonstrates a high contamination protection effect against small foreign matter, which has been difficult to remove with conventional metal scrapers.

### ■ QZ Lubricator

QZ Lubricator is a lubrication system that feeds the right amount of lubricant by closely contacting its highly oil-impregnated fiber net to the ball raceway.

### ■ Metal Cap Dedicated for LM Rail Mounting Holes GC Cap

GC cap is a metallic cap that plugs the LM rail mounting hole (article compliant with the RoHS Directives). It prevents the entrance of foreign material and coolant from the LM rail top face (mounting hole) under harsh environments, and significantly increases the dust control performance of the LM Guide if used with a dust control seal.

### ■ Protector

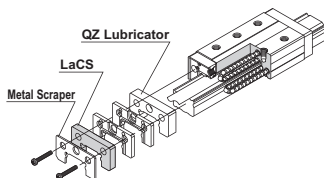
The protector minimizes the entrance of foreign material even in harsh environments where foreign material such as fine particles and liquids are present.

## LM Guide

+Metal scraper

+Contact scraper LaCS

+Cap GC, etc.



■ A1-477

Supported models

**Caged Ball LM Guide**

SHS SSR SVR/SVS SHW SRS

**Full Ball LM Guide**

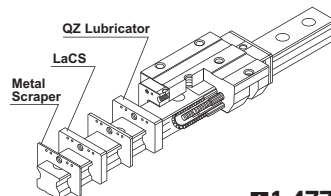
HSR NR/NRS-X

## Caged Roller LM Guide

+Metal scraper

+Contact scraper LaCS

+Cap GC, etc.



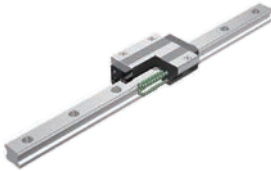
■ A1-477

Supported models

**SRG**

## Caged Ball LM Guide

SHS



A1-92

SSR



A1-104

SHW



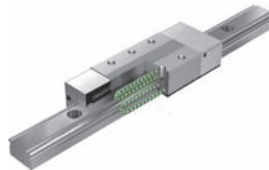
A1-138

SRS



A1-148

SVR/SVS



Featuring the protector A1-118

## Full ball LM Guide

HSR



A1-180

NR/NRS-X



A1-222

## Caged Roller LM Guide

SRG



Featuring the protector

A1-412

# Selecting a Type

## Types of LM Guides

THK offers a wide array of types and dimensions with LM Guides as standard so that you can select the optimal product for any application. With the unit structure of each model, you can easily obtain high running accuracy with no clearance simply by mounting the product on a plane surface with bolts. We have a proven track record and know-how in extensive applications with LM Guides.

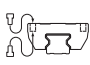
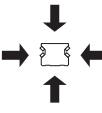
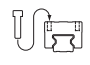
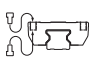
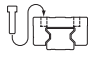
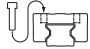



Classification		Type		Specification Table	Load capacity diagram	Basic load rating (kN)		
						Basic dynamic load rating	Basic static load rating	
Radial type	Caged Ball LM Guide		SSR-XW	▶ <a href="#">A1-108</a>		14.7 to 64.6	16.5 to 71.6	
			SSR-XV	▶ <a href="#">A1-110</a>		9.1 to 48.3	9.7 to 46.7	
			SSR-XTB	▶ <a href="#">A1-112</a>		14.7 to 64.6	16.5 to 71.6	
			SSR-XSB	▶ <a href="#">A1-114</a>		9.1 to 48.3	9.7 to 46.7	
	Full-Complement Ball LM Guides		SR-W	▶ <a href="#">A1-216</a>		13.8 to 411	20.5 to 537	
			SR-M1W	▶ <a href="#">A1-370</a>		13.8 to 60.4	20.5 to 81.8	
			SR-V	▶ <a href="#">A1-216</a>		9.1 to 40.9	11.7 to 46.7	
			SR-M1V	▶ <a href="#">A1-370</a>		9.1 to 40.9	11.7 to 46.7	
			SR-TB	▶ <a href="#">A1-218</a>		13.8 to 136	20.5 to 179	
			SR-M1TB	▶ <a href="#">A1-372</a>		13.8 to 60.4	20.5 to 81.8	
			SR-SB	▶ <a href="#">A1-218</a>		9.1 to 40.9	11.7 to 46.7	
			SR-M1SB	▶ <a href="#">A1-372</a>		9.1 to 40.9	11.7 to 46.7	
	Oil-Free LM Guides for Special Environments		SR-MSV	▶ <a href="#">A1-404</a>		—	—	
			SR-MSW	▶ <a href="#">A1-404</a>		—	—	
	Caged Ball LM Guides for Machine Tools high-rigidity model for ultra-heavy loads		SVR-C	▶ <a href="#">A1-128</a>			48 to 260	68 to 328
			SVR-LC	▶ <a href="#">A1-128</a>			57 to 340	86 to 481
			SVR-R	▶ <a href="#">A1-124</a>			48 to 260	68 to 328
			SVR-LR	▶ <a href="#">A1-124</a>			57 to 340	86 to 481
			SVR-CH	▶ <a href="#">A1-134</a>			90 to 177	115 to 238
			SVR-LCH	▶ <a href="#">A1-134</a>			108 to 214	159 to 312
		SVR-RH	▶ <a href="#">A1-132</a>	90 to 177	115 to 238			
		SVR-LRH	▶ <a href="#">A1-132</a>	108 to 214	159 to 312			



	External dimensions (mm)		Features	Major application
	Height	Width		
	24 to 48	34 to 70	<ul style="list-style-type: none"> <li>Long service life, long-term maintenance-free operation</li> <li>Low dust generation, low noise, acceptable running sound</li> <li>Superbly high speed</li> <li>Smooth motion in all mounting orientations</li> <li>Thin, compact design, large radial load capacity</li> <li>Superb in planar running accuracy</li> <li>Superb capability of absorbing mounting error</li> <li>Stainless steel type also available as standard</li> </ul>	<ul style="list-style-type: none"> <li>Surface grinder table</li> <li>Tool grinder table</li> <li>Electric discharge machine</li> <li>Printed circuit board drilling machine</li> <li>Chip mounter</li> <li>High-speed transfer equipment</li> <li>Traveling unit of robots</li> <li>Machining center</li> <li>NC lathe</li> <li>Five axis milling machine</li> <li>Conveyance system</li> <li>Mold guide of pressing machines</li> <li>Inspection equipment</li> <li>Testing machine</li> <li>Food-related machine</li> <li>Medical equipment</li> <li>3D measuring instrument</li> <li>Packaging machine</li> <li>Injection molding machine</li> <li>Woodworking machine</li> <li>Ultra precision table</li> <li>Semiconductor/liquid crystal manufacturing equipment</li> </ul>
	24 to 48	34 to 70		
	24 to 48	52 to 100		
	24 to 48	52 to 100		
	24 to 135	34 to 250	<ul style="list-style-type: none"> <li>Thin, compact design, large radial load capacity</li> <li>Superb in planar running accuracy</li> <li>Superb capability of absorbing mounting error</li> <li>Stainless steel type also available as standard</li> <li>Type M1, achieving max service temperature of 150°C, also available</li> </ul>	<ul style="list-style-type: none"> <li>Photolithography machine</li> <li>Organic EL display manufacturing machine</li> <li>Ion implantation equipment</li> </ul>
	24 to 48	34 to 70		
	24 to 48	34 to 70		
	24 to 48	34 to 70		
	24 to 68	52 to 140		
	24 to 48	52 to 100		
	24 to 48	52 to 100		
	24 to 48	52 to 100		
	24 to 28	34 to 42		
	24 to 28	34 to 42		
	31 to 75	72 to 170	<ul style="list-style-type: none"> <li>Long service life, long-term maintenance-free operation</li> <li>Low dust generation, low noise, acceptable running sound</li> <li>Superbly high speed</li> <li>Smooth motion in all mounting orientations</li> <li>Ultra-heavy load capacity optimal for machine tools</li> <li>Thin, compact design, large radial load capacity</li> <li>High vibration resistance and impact resistance due to improved damping characteristics</li> <li>Superb in planar running accuracy</li> </ul>	<ul style="list-style-type: none"> <li>Machining center</li> <li>NC lathe</li> <li>Grinding machine</li> <li>Five axis milling machine</li> <li>Jig borer</li> <li>Drilling machine</li> <li>NC milling machine</li> <li>Horizontal milling machine</li> <li>Mold processing machine</li> <li>Graphite working machine</li> <li>Electric discharge machine</li> <li>Wire-cut electric discharge machine</li> </ul>
	31 to 75	72 to 170		
	31 to 75	50 to 126		
	31 to 75	50 to 126		
	48 to 70	100 to 140	<ul style="list-style-type: none"> <li>Long service life, long-term maintenance-free operation</li> <li>Low dust generation, low noise, acceptable running sound</li> <li>Superbly high speed</li> <li>Smooth motion in all mounting orientations</li> <li>Ultra-heavy load capacity optimal for machine tools</li> <li>Large radial load capacity</li> <li>High vibration resistance and impact resistance due to improved damping characteristics</li> <li>Superb in planar running accuracy</li> <li>Has dimensions almost the same as that of the full-ball type LM Guide model HSR, which is practically a global standard size</li> </ul>	<ul style="list-style-type: none"> <li>Horizontal milling machine</li> <li>Mold processing machine</li> <li>Graphite working machine</li> <li>Electric discharge machine</li> <li>Wire-cut electric discharge machine</li> </ul>
	48 to 70	100 to 140		
	55 to 80	70 to 100		
	55 to 80	70 to 100		

Classification		Type		Specification Table	Load capacity diagram	Basic load rating (kN)	
						Basic dynamic load rating	Basic static load rating
Radial type	Full-Complement Ball LM Guides for Machine Tools high-rigidity model for ultra-heavy loads		NR-RX	▶A1-228		37.1 to 208.7	68.1 to 351.7
			NR-LRX	▶A1-228		45.4 to 268.9	90.8 to 505.5
			NR-CX	▶A1-232		37.1 to 208.7	68.1 to 351.7
			NR-LCX	▶A1-232		45.4 to 268.9	90.8 to 505.5
			NR-R	▶A1-228		271 to 479	610 to 1040
			NR-LR	▶A1-228		355 to 599	800 to 1300
			NR-A	▶A1-236		271 to 479	610 to 1040
			NR-LA	▶A1-236		355 to 599	800 to 1300
	NR-B	▶A1-238	271 to 479	610 to 1040			
NR-LB	▶A1-238	355 to 599	800 to 1300				
4-way type	LM Guides for Machine Tools high-rigidity model for ultra-heavy loads		SVS-R	▶A1-126	37 to 199	52 to 251	
			SVS-LR	▶A1-126	44 to 261	66 to 368	
			SVS-C	▶A1-130	37 to 199	52 to 251	
			SVS-LC	▶A1-130	44 to 261	66 to 368	
			SVS-RH	▶A1-132	69 to 136	88 to 182	
			SVS-LRH	▶A1-132	83 to 164	122 to 239	
		SVS-CH	▶A1-134	69 to 136	88 to 182		
		SVS-LCH	▶A1-134	83 to 164	122 to 239		
	Full-Complement Ball LM Guides for Machine Tools high-rigidity model for ultra-heavy loads		NRS-CX	▶A1-234	28.4 to 159.8	52.2 to 269.4	
			NRS-LCX	▶A1-234	34.7 to 206	69.6 to 387.2	
			NRS-RX	▶A1-230	28.4 to 159.8	52.2 to 269.4	
			NRS-LRX	▶A1-230	34.7 to 206	69.6 to 387.2	
Full-Complement Ball LM Guides for Machine Tools high-rigidity model for ultra-heavy loads		NRS-A	▶A1-236	212 to 376	431 to 737		
		NRS-LA	▶A1-236	278 to 470	566 to 920		
		NRS-B	▶A1-238	212 to 376	431 to 737		
		NRS-LB	▶A1-238	278 to 470	566 to 920		
		NRS-R	▶A1-230	212 to 376	431 to 737		
		NRS-LR	▶A1-230	278 to 470	566 to 920		


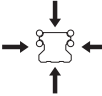
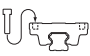

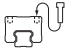


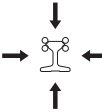


External dimensions (mm)		Features	Major application
Height	Width		
31 to 75	50 to 126	<ul style="list-style-type: none"> <li>• Low dust generation, low noise, acceptable running sound</li> <li>• Superbly high speed</li> <li>• Smooth motion in all mounting orientations</li> <li>• Ultra-heavy load capacity optimal for machine tools</li> <li>• Thin, compact design, large radial load capacity</li> <li>• High vibration resistance and impact resistance due to improved damping characteristics</li> <li>• Superb in planar running accuracy</li> </ul>	<ul style="list-style-type: none"> <li>• Machining center</li> <li>• NC lathe</li> <li>• Grinding machine</li> <li>• Five axis milling machine</li> <li>• Jig borer</li> <li>• Drilling machine</li> <li>• NC milling machine</li> <li>• Horizontal milling machine</li> <li>• Mold processing machine</li> <li>• Graphite working machine</li> <li>• Electric discharge machine</li> <li>• Wire-cut electric discharge machine</li> </ul>
31 to 75	50 to 126		
31 to 75	72 to 170		
31 to 75	72 to 170		
83 to 105	145 to 200	<ul style="list-style-type: none"> <li>• Ultra-heavy load capacity optimal for machine tools</li> <li>• High vibration resistance and impact resistance due to improved damping characteristics</li> <li>• Thin, compact design, large radial load capacity</li> <li>• Superb in planar running accuracy</li> </ul>	
83 to 105	145 to 200		
83 to 105	195 to 260		
83 to 105	195 to 260		
83 to 105	195 to 260		
83 to 105	195 to 260		
31 to 75	50 to 126	<ul style="list-style-type: none"> <li>• Long service life, long-term maintenance-free operation</li> <li>• Low dust generation, low noise, acceptable running sound</li> <li>• Superbly high speed</li> <li>• Smooth motion in all mounting orientations</li> <li>• Ultra-heavy load capacity optimal for machine tools</li> <li>• Low profile, compact 4-way type</li> <li>• High vibration resistance and impact resistance due to improved damping characteristics</li> </ul>	
31 to 75	50 to 126		
31 to 75	72 to 170		
31 to 75	72 to 170		
55 to 80	70 to 100	<ul style="list-style-type: none"> <li>• Long service life, long-term maintenance-free operation</li> <li>• Low dust generation, low noise, acceptable running sound</li> <li>• Superbly high speed</li> <li>• Smooth motion in all mounting orientations</li> <li>• Ultra-heavy load capacity optimal for machine tools</li> <li>• 4-way type</li> <li>• High vibration resistance and impact resistance due to improved damping characteristics</li> <li>• Has dimensions almost the same as that of the full-ball type LM Guide model HSR, which is practically a global standard size</li> </ul>	
55 to 80	70 to 100		
48 to 70	100 to 140		
48 to 70	100 to 140		
31 to 75	72 to 170	<ul style="list-style-type: none"> <li>• Low dust generation, low noise, acceptable running sound</li> <li>• Superbly high speed</li> <li>• Smooth motion in all mounting orientations</li> <li>• Ultra-heavy load capacity optimal for machine tools</li> <li>• Low profile, compact 4-way type</li> <li>• High vibration resistance and impact resistance due to improved damping characteristics</li> </ul>	
31 to 75	72 to 170		
31 to 75	50 to 126		
31 to 75	50 to 126		
83 to 105	195 to 260	<ul style="list-style-type: none"> <li>• Ultra-heavy load capacity optimal for machine tools</li> <li>• High vibration resistance and impact resistance due to improved damping characteristics</li> <li>• Low-Profile compact design, 4-way equal load</li> </ul>	
83 to 105	195 to 260		
83 to 105	195 to 260		
83 to 105	195 to 260		
83 to 105	145 to 200		
83 to 105	145 to 200		

Classification		Type		Specification Table	Load capacity diagram	Basic load rating (kN)	
						Basic dynamic load rating	Basic static load rating
4-way equal load type	Caged Roller LM Guide - super ultra-heavy-load, high rigidity types		SRG-A, C	▶ <a href="#">A1-418</a>		11.3 to 131	25.8 to 266
			SRG-LA, LC	▶ <a href="#">A1-418</a>		26.7 to 278	63.8 to 599
			SRG-R, V	▶ <a href="#">A1-424</a>		11.3 to 131	25.8 to 266
			SRG-LR, LV	▶ <a href="#">A1-424</a>		26.7 to 601	63.8 to 1170
			SRN-C	▶ <a href="#">A1-438</a>		59.1 to 219	119 to 441
			SRN-LC	▶ <a href="#">A1-438</a>		76 to 278	165 to 599
			SRN-SLC	▶ <a href="#">A1-438</a>		87.9 to 352	199 to 811
			SRN-R	▶ <a href="#">A1-440</a>		59.1 to 219	119 to 441
			SRN-LR	▶ <a href="#">A1-440</a>		76 to 278	165 to 599
			SRN-SLR	▶ <a href="#">A1-440</a>		87.9 to 352	199 to 811
			SRW-LR	▶ <a href="#">A1-450</a>		115 to 601	256 to 1170
		Caged Ball LM Guide - heavy-load, high rigidity types		SHS-C		▶ <a href="#">A1-96</a>	14.2 to 205
	SHS-LC			▶ <a href="#">A1-96</a>	17.2 to 253	31.9 to 408	
			SHS-V	▶ <a href="#">A1-98</a>		14.2 to 205	24.2 to 320
			SHS-LV	▶ <a href="#">A1-98</a>		17.2 to 253	31.9 to 408
			SHS-R	▶ <a href="#">A1-100</a>		14.2 to 128	24.2 to 197
			SHS-LR	▶ <a href="#">A1-100</a>		36.8 to 161	64.7 to 259

## Point of Selection

## Selecting a Type

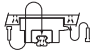
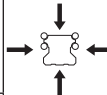
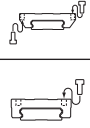
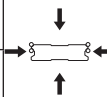
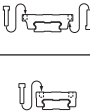

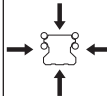

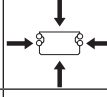

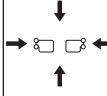
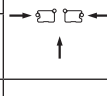
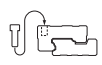
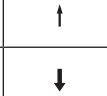
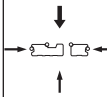
External dimensions (mm)		Features	Major application
Height	Width		
24 to 70	47 to 140	<ul style="list-style-type: none"> <li>• Long service life, long-term maintenance-free operation</li> <li>• Low noise, acceptable running sound</li> <li>• Superbly high speed</li> <li>• Smooth motion due to prevention of rollers from skewing</li> <li>• Ultra-heavy load capacity optimal for machine tools</li> </ul>	<ul style="list-style-type: none"> <li>• Machining center</li> <li>• NC lathe</li> <li>• Grinding machine</li> <li>• Five axis milling machine</li> <li>• Jig borer</li> <li>• Drilling machine</li> <li>• NC milling machine</li> <li>• Horizontal milling machine</li> <li>• Mold processing machine</li> <li>• Graphite working machine</li> <li>• Electric discharge machine</li> <li>• Wire-cut electric discharge machine</li> </ul>
30 to 120	63 to 250		
24 to 80	34 to 100		
30 to 90	44 to 126		
44 to 75	100 to 170	<ul style="list-style-type: none"> <li>• Long service life, long-term maintenance-free operation</li> <li>• Low noise, acceptable running sound</li> <li>• Superbly high speed</li> <li>• Smooth motion due to prevention of rollers from skewing</li> <li>• Ultra-heavy load capacity optimal for machine tools</li> <li>• Low center of gravity, ultra-high rigidity</li> </ul>	
44 to 75	100 to 170		
44 to 75	100 to 170		
44 to 75	70 to 126		
44 to 75	70 to 126		
44 to 75	70 to 126		
44 to 75	70 to 126		
70 to 150	135 to 300		
24 to 90	47 to 170	<ul style="list-style-type: none"> <li>• Long service life, long-term maintenance-free operation</li> <li>• Low dust generation, low noise, acceptable running sound</li> <li>• Superbly high speed</li> <li>• Smooth motion in all mounting orientations</li> <li>• Heavy load, high rigidity</li> <li>• Has dimensions almost the same as that of the full-ball type LM Guide model HSR, which is practically a global standard size</li> <li>• Superb capability of absorbing mounting error</li> </ul>	<ul style="list-style-type: none"> <li>• Machining center</li> <li>• NC lathe</li> <li>• XYZ axes of heavy cutting machine tools</li> <li>• Grinding head feeding axis of grinding machines</li> <li>• Components requiring a heavy moment and high accuracy</li> <li>• NC milling machine</li> <li>• Horizontal milling machine</li> <li>• Gantry five axis milling machine</li> <li>• Z axis of electric discharge machines</li> <li>• Wire-cut electric discharge machine</li> <li>• Car elevator</li> <li>• Food-related machine</li> <li>• Testing machine</li> <li>• Vehicle doors</li> <li>• Printed circuit board drilling machine</li> <li>• ATC</li> <li>• Construction equipment</li> <li>• Shield machine</li> <li>• Semiconductor/liquid crystal manufacturing equipment</li> </ul>
24 to 90	47 to 170		
24 to 90	34 to 126		
24 to 90	34 to 126		
28 to 80	34 to 100		
28 to 80	34 to 100		

Classification		Type		Specification Table	Load capacity diagram	Basic load rating (kN)			
						Basic dynamic load rating	Basic static load rating		
4-way equal load type	Full-Complement Ball LM Guide - heavy-load, high rigidity types		HSR-C/XC	▶ <a href="#">A1-186</a>		10.9 to 195	15.7 to 228		
			HSR-LC/XLC	▶ <a href="#">A1-186</a>		14.2 to 249	22.9 to 323		
			HSR-A	▶ <a href="#">A1-192</a>		10.9 to 304	15.7 to 355		
			HSR-M1A	▶ <a href="#">A1-356</a>		10.9 to 53.9	15.7 to 70.2		
			HSR-LA	▶ <a href="#">A1-192</a>		23.9 to 367	35.8 to 464		
			HSR-M1LA	▶ <a href="#">A1-356</a>		23.9 to 65	35.8 to 91.7		
			HSR-CA/XCA	▶ <a href="#">A1-198</a>		19.8 to 304	27.4 to 355		
			HSR-HA/XHA	▶ <a href="#">A1-198</a>		23.9 to 518	35.8 to 728		
			HSR-B	▶ <a href="#">A1-194</a>		10.9 to 304	15.7 to 355		
			HSR-M1B	▶ <a href="#">A1-358</a>		10.9 to 53.9	15.7 to 70.2		
			HSR-LB	▶ <a href="#">A1-194</a>		23.9 to 367	35.8 to 464		
			HSR-M1LB	▶ <a href="#">A1-358</a>		23.9 to 65	35.8 to 91.7		
			HSR-CB/XCB	▶ <a href="#">A1-200</a>		19.8 to 304	27.4 to 355		
			HSR-HB/XHB	▶ <a href="#">A1-200</a>		23.9 to 518	35.8 to 728		
			HSR-R/XR	▶ <a href="#">A1-190</a>		1.08 to 304	2.16 to 355		
			HSR-M1R	▶ <a href="#">A1-360</a>		10.9 to 53.9	15.7 to 70.2		
			HSR-LR/XLR	▶ <a href="#">A1-190</a>		23.9 to 367	35.8 to 464		
			HSR-M1LR	▶ <a href="#">A1-360</a>		23.9 to 65	35.8 to 91.7		
			HSR-HR	▶ <a href="#">A1-202</a>		441 to 518	540 to 728		
		LM Guide for Medium-to-Low Vacuum		HSR-M1VV		▶ <a href="#">A1-396</a>		10.9	15.7
		Full-ball LM Guide - side mount types		HSR-YR/XYR		▶ <a href="#">A1-196</a>	10.9 to 195	15.7 to 228	
	HSR-M1YR			▶ <a href="#">A1-362</a>	10.9 to 53.9	15.7 to 70.2			
	Full-Complement LM Guides - special LM rail types		JR-A	▶ <a href="#">A1-324</a>		27.6 to 121	36.4 to 146		
			JR-B	▶ <a href="#">A1-324</a>		27.6 to 121	36.4 to 146		
			JR-R	▶ <a href="#">A1-324</a>		27.6 to 121	36.4 to 146		

## Point of Selection

## Selecting a Type

External dimensions (mm)		Features	Major application
Height	Width		
24 to 90	47 to 170	<ul style="list-style-type: none"> <li>• Heavy load, high rigidity</li> <li>• Practically a global standard size</li> <li>• Superb capability of absorbing mounting error</li> <li>• Stainless steel type also available as standard</li> <li>• Type M1, achieving max service temperature of 150°C, also available</li> <li>• Type M2, with high corrosion resistance, also available (Basic dynamic load rating: 2.33 to 5.57 kN) (Basic static load rating: 2.03 to 5.16 kN)</li> </ul>	<ul style="list-style-type: none"> <li>• Machining center</li> <li>• NC lathe</li> <li>• XYZ axes of heavy cutting machine tools</li> <li>• Grinding head feeding axis of grinding machines</li> <li>• Components requiring a heavy moment and high accuracy</li> <li>• NC milling machine</li> <li>• Horizontal milling machine</li> <li>• Gantry five axis milling machine</li> <li>• Z axis of electric discharge machines</li> <li>• Wire-cut electric discharge machine</li> <li>• Car elevator</li> <li>• Food-related machine</li> <li>• Testing machine</li> <li>• Vehicle doors</li> <li>• Printed circuit board drilling machine</li> <li>• ATC</li> <li>• Construction equipment</li> <li>• Shield machine</li> <li>• Semiconductor/liquid crystal manufacturing equipment</li> </ul>
24 to 90	47 to 170		
24 to 110	47 to 215		
24 to 48	47 to 100		
30 to 110	63 to 215		
30 to 48	63 to 100		
30 to 110	63 to 215		
30 to 145	63 to 350		
24 to 110	47 to 215		
24 to 48	47 to 100		
30 to 110	63 to 215		
30 to 48	63 to 100		
30 to 110	63 to 215		
30 to 145	63 to 350		
11 to 110	16 to 156		
28 to 55	34 to 70		
30 to 110	44 to 156		
30 to 55	44 to 70		
120 to 145	250 to 266		
28	34	<ul style="list-style-type: none"> <li>• Can be used in various environments at atmospheric pressure to vacuum (<math>10^{-3}</math> [Pa])</li> <li>• Allows baking temperature of 200°C* at a maximum</li> <li>* If the baking temperature exceeds 100°C, multiply the basic load rating with the temperature coefficient.</li> </ul>	<ul style="list-style-type: none"> <li>• Medical equipment</li> <li>• Semiconductor/liquid crystal manufacturing equipment</li> </ul>
28 to 90	33.5 to 124.5	<ul style="list-style-type: none"> <li>• Easy mounting and reduced mounting height when using 2 units opposed to each other since the side faces of the LM block have mounting holes</li> <li>• Heavy load, high rigidity</li> <li>• Superb capability of absorbing mounting error</li> <li>• Stainless steel type also available as standard</li> <li>• Type M1, achieving max service temperature of 150°C, also available</li> </ul>	<ul style="list-style-type: none"> <li>• Cross rails of gantry machine tools</li> <li>• Z axis of woodworking machines</li> <li>• Z axis of measuring instruments</li> <li>• Components opposed to each other</li> </ul>
28 to 55	33.5 to 69.5		
61 to 114	70 to 140	<ul style="list-style-type: none"> <li>• Since the central part of the LM rail is thinly structured, the LM Guide is capable of absorbing an error and achieving smooth motion if the parallelism between the two axes is poor</li> <li>• Since the LM rail has a highly rigid sectional shape, it can be used as a structural member</li> </ul>	<ul style="list-style-type: none"> <li>• Automated warehouse</li> <li>• Garage</li> <li>• Gantry robot</li> <li>• FMS traveling rail</li> <li>• Lift</li> <li>• Conveyance system</li> <li>• Welding machine</li> <li>• Lifter</li> <li>• Crane</li> <li>• Forklift</li> <li>• Coating machine</li> <li>• Shield machine</li> <li>• Stage setting</li> </ul>
61 to 114	70 to 140		
65 to 124	48 to 100		

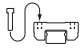
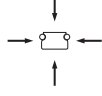
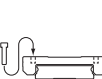

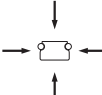
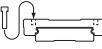
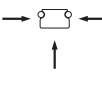
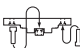
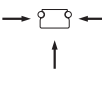

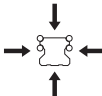

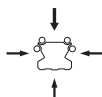
Classification		Type		Specification Table	Load capacity diagram	Basic load rating (kN)	
						Basic dynamic load rating	Basic static load rating
4-way equal load type	Caged Ball Cross LM Guide		SCR	▶ <b>A1-168</b>		36.8 to 253	64.7 to 408
	Full-Complement LM Guide orthogonal type		CSR	▶ <b>A1-310</b>		10.9 to 100	15.7 to 135
	Caged Ball LM Guide - wide, low center of gravity types		SHW-CA	▶ <b>A1-142</b>		4.31 to 70.2	5.66 to 91.4
			SHW-CR, HR	▶ <b>A1-144</b>		4.31 to 70.2	5.66 to 91.4
	Full-Complement Ball LM Guide - wide, low center of gravity types		HRW-CA	▶ <b>A1-246</b>		5.53 to 80.3	9.1 to 109
			HRW-CR, LRM	▶ <b>A1-248</b>		3.29 to 62.4	7.16 to 86.3
	Full-ball Straight - Curved Guide		HMG	▶ <b>A1-340</b>		2.56 to 66.2	Straight section 4.23 to 66.7 Curved section 0.44 to 36.2
	Caged Ball LM Guides Finite stroke		EPF	▶ <b>A1-176</b>		0.90 to 3.71	1.60 to 5.88
Interchangeable designs	Full-Complement Ball LM Guide - separate types		HR, HR-T	▶ <b>A1-278</b>		2.82 to 226	3.48 to 232
			GSR-T	▶ <b>A1-290</b>		8.42 to 37	9.77 to 39.1
	Full-Complement Ball LM Guides - LM rail-rack intergrated type		GSR-V	▶ <b>A1-290</b>		6.51 to 15.5	6.77 to 15.2
			GSR-R	▶ <b>A1-298</b>		15.5 to 37	15.2 to 39.1



## Point of Selection

## Selecting a Type

External dimensions (mm)		Features	Major application	
Height	Width			
70 to 180	88 to 226	<ul style="list-style-type: none"> <li>• A compact XY structure is allowed due to an XY orthogonal, single-piece LM block</li> <li>• Since a saddle-less structure is allowed, the machine can be lightweighted and compactly designed</li> <li>• Long service life, long-term maintenance-free operation</li> <li>• Low dust generation, low noise, acceptable running sound</li> <li>• Superbly high speed</li> </ul>	<ul style="list-style-type: none"> <li>• Low center of gravity, precision XY table</li> <li>• NC lathe</li> <li>• Optical measuring instrument</li> <li>• Automatic lathe</li> <li>• Inspection equipment</li> <li>• Cartesian coordinate robot</li> <li>• Bonding machine</li> </ul>	<ul style="list-style-type: none"> <li>• Wire-cut electric discharge machine</li> <li>• Hollow table</li> <li>• Printed circuit board assembler</li> <li>• Machine tool table</li> <li>• Electric discharge machine</li> <li>• XY axes of horizontal machining center</li> </ul>
47 to 118	38.8 to 129.8	<ul style="list-style-type: none"> <li>• A compact XY structure is allowed due to an XY orthogonal, single-piece LM block</li> <li>• Since a saddle-less structure is allowed, the machine can be lightweighted and compactly designed</li> </ul>		
12 to 50	40 to 162	<ul style="list-style-type: none"> <li>• Long service life, long-term maintenance-free operation</li> <li>• Low dust generation, low noise, acceptable running sound</li> <li>• Superbly high speed</li> <li>• Smooth motion in all mounting orientations</li> <li>• Wide, low center of gravity, space saving structure</li> <li>• Stainless steel type also available as standard</li> </ul>	<ul style="list-style-type: none"> <li>• Z axis of IC printed circuit board drilling machine</li> <li>• Z axis of small electric discharge machine</li> <li>• Loader</li> <li>• Machining center</li> <li>• NC lathe</li> <li>• Robot</li> <li>• Wire-cut electric discharge machine</li> </ul>	<ul style="list-style-type: none"> <li>• APC</li> <li>• Semiconductor/liquid crystal manufacturing equipment</li> <li>• Measuring instrument</li> <li>• Wafer transfer equipment</li> <li>• Construction equipment</li> <li>• Railroad vehicle</li> </ul>
12 to 50	30 to 130			
17 to 60	60 to 200	<ul style="list-style-type: none"> <li>• 4-way equal load, thin and highly rigid</li> <li>• Wide, low center of gravity, space saving structure</li> <li>• Stainless steel type also available as standard</li> </ul>		
12 to 50	30 to 130			
24 to 90	47 to 170	<ul style="list-style-type: none"> <li>• Freedom of design</li> <li>• Cost reduction through simplified structure</li> </ul>	<ul style="list-style-type: none"> <li>• Large swivel base</li> <li>• Pendulum vehicle for railroad</li> <li>• Pantagraph</li> <li>• Control unit</li> <li>• Optical measuring machine</li> <li>• Tool grinder</li> <li>• X-Ray machine</li> </ul>	<ul style="list-style-type: none"> <li>• CT scanner</li> <li>• Medical equipment</li> <li>• Stage setting</li> <li>• Car elevator</li> <li>• Amusement machine</li> <li>• Turntable</li> <li>• Tool changer</li> </ul>
8 to 16	17 to 32	<ul style="list-style-type: none"> <li>• Caged ball effect using a cage</li> <li>• Smooth movement with minimal rolling variation</li> <li>• 4-groove construction in a compact body</li> </ul>	<ul style="list-style-type: none"> <li>• Semiconductor manufacturing equipment</li> <li>• Medical equipment</li> <li>• Inspection equipment</li> <li>• Industrial machinery</li> </ul>	
8.5 to 60	18 to 125	<ul style="list-style-type: none"> <li>• Low-Profile high rigidity, space saving structure</li> <li>• Interchangeable with Cross-Roller Guide</li> <li>• Preload can be adjusted</li> <li>• Stainless steel type also available as standard</li> </ul>	<ul style="list-style-type: none"> <li>• XYZ axes of electric discharge machine</li> <li>• Precision table</li> <li>• XZ axes of NC lathe</li> <li>• Assembly robot</li> <li>• Conveyance system</li> </ul>	<ul style="list-style-type: none"> <li>• Machining center</li> <li>• Wire-cut electric discharge machine</li> <li>• Tool changer</li> <li>• Woodworking machine</li> </ul>
20 to 38	32 to 68	<ul style="list-style-type: none"> <li>• LM block and LM rail are both interchangeable</li> <li>• Preload can be adjusted</li> <li>• Capable of absorbing vertical level error and horizontal tolerance for parallelism</li> </ul>	<ul style="list-style-type: none"> <li>• Industrial robot</li> <li>• Various conveyance systems</li> <li>• Automated warehouse</li> <li>• Palette changer</li> <li>• ATC</li> <li>• Door closing device</li> </ul>	<ul style="list-style-type: none"> <li>• Guide using an aluminum mold base</li> <li>• Welding machine</li> <li>• Coating machine</li> <li>• Car washing machine</li> </ul>
20 to 30	32 to 50			
30 to 38	59.91 to 80.18	<ul style="list-style-type: none"> <li>• LM rail-rack integrated design eliminates assembly and adjustment work</li> <li>• LM rail-rack integrated design enables a space-saving structure to be achieved</li> <li>• Capable of supporting long strokes</li> </ul>		

Classification		Type		Specification Table	Load capacity diagram	Basic load rating (kN)		
						Basic dynamic load rating	Basic static load rating	
Miniature types	Caged Ball LM Guides		SRS-S	▶ <b>A1-154</b>		1.09 to 4.5	0.964 to 3.39	
			SRS-M			0.439 to 16.5	0.468 to 20.2	
			SRS-N			0.515 to 9.71	0.586 to 8.55	
			SRS-WS	▶ <b>A1-158</b>		1.38 to 6.64	1.35 to 5.94	
			SRS-WM			0.584 to 9.12	0.703 to 8.55	
			SRS-WN			0.746 to 12.4	0.996 to 12.1	
	Full-Complement Ball LM Guides		RSX-M	▶ <b>A1-256</b>		1.16 to 5.59	1.54 to 6.78	
			RSX-WM	▶ <b>A1-258</b>		1.63 to 7.43	2.51 to 10.18	
			RSR-M	▶ <b>A1-268</b>		0.18 to 8.82	0.27 to 12.7	
			RSR-M1V	▶ <b>A1-380</b>		1.47 to 8.82	2.25 to 12.7	
			RSR-N	▶ <b>A1-268</b>		0.3 to 14.2	0.44 to 20.6	
			RSR-M1N	▶ <b>A1-380</b>		2.6 to 14.2	3.96 to 20.6	
	Full-Complement Ball LM Guide - wide types		RSR-WM/WV	▶ <b>A1-268</b>		0.25 to 6.66	0.47 to 9.8	
			RSR-M1WV	▶ <b>A1-382</b>		2.45 to 6.66	3.92 to 9.8	
			RSR-WN	▶ <b>A1-268</b>		0.39 to 9.91	0.75 to 14.9	
			RSR-M1WN	▶ <b>A1-382</b>		3.52 to 9.91	5.37 to 14.9	
	Full Complement Ball LM Guide - orthogonal type		MX	▶ <b>A1-316</b>		0.59 to 2.04	1.1 to 3.21	
	Circular arc types	Full-Complement Ball LM Guides		HCR	▶ <b>A1-332</b>		4.7 to 141	8.53 to 215
	Self-aligning types	Full-Complement Ball LM Guides		NSR-TBC	▶ <b>A1-346</b>		9.41 to 90.8	18.6 to 152

External dimensions (mm)		Features	Major application
Height	Width		
8 to 16	17 to 32	<ul style="list-style-type: none"> <li>• Long service life, long-term maintenance-free operation</li> <li>• Low dust generation, low noise, acceptable running sound</li> <li>• Superbly high speed</li> <li>• Smooth motion in all mounting orientations</li> <li>• Stainless steel type also available as standard</li> <li>• Lightweight and compact</li> </ul>	<ul style="list-style-type: none"> <li>• IC/LSI manufacturing machine</li> <li>• Hard disc drive</li> <li>• Slide unit of OA equipment</li> <li>• Wafer transfer equipment</li> <li>• Printed circuit board assembly table</li> <li>• Medical equipment</li> <li>• Electronic components of electron microscope</li> <li>• Optical stage</li> <li>• Stepper</li> <li>• Plotting machine</li> <li>• Feed mechanism of IC bonding machine</li> <li>• Inspection equipment</li> </ul>
6 to 25	17 to 48		
6 to 16	12 to 32		
9 to 16	25 to 60		
6.5 to 16	17 to 60		
8 to 16	17 to 32	<ul style="list-style-type: none"> <li>• Lightweight and compact</li> <li>• Smooth motion in all mounting orientations</li> <li>• Stainless steel type also available as standard</li> </ul>	<ul style="list-style-type: none"> <li>• IC/LSI manufacturing machine</li> <li>• Hard disc drive</li> <li>• Slide unit of OA equipment</li> <li>• Wafer transfer equipment</li> <li>• Printed circuit board assembly table</li> <li>• Medical equipment</li> <li>• Electronic components of electron microscope</li> <li>• Optical stage</li> <li>• Stepper</li> <li>• Plotting machine</li> <li>• Feed mechanism of IC bonding machine</li> <li>• Inspection equipment</li> </ul>
9 to 16	25 to 60		
4 to 25	8 to 46	<ul style="list-style-type: none"> <li>• Ultra-compact</li> <li>• Stainless steel type also available as standard</li> </ul>	
10 to 25	20 to 46		
4 to 25	8 to 46	<ul style="list-style-type: none"> <li>• Long type with increased load capacity also offered as standard</li> <li>• Type M1, achieving max service temperature of 150°C, also available</li> </ul>	
10 to 25	20 to 46		
4.5 to 16	12 to 60	<ul style="list-style-type: none"> <li>• Stainless steel type also available as standard</li> <li>• Long type with increased load capacity also offered as standard</li> <li>• Type M1, achieving max service temperature of 150°C, also available</li> </ul>	
12 to 16	30 to 60		
4.5 to 16	12 to 60		
12 to 16	30 to 60		
10 to 14.5	15.2 to 30.2	<ul style="list-style-type: none"> <li>• A compact XY structure is allowed due to an XY orthogonal, single-piece LM block</li> <li>• Stainless steel type also available as standard</li> </ul>	<ul style="list-style-type: none"> <li>• IC/LSI manufacturing machine</li> <li>• Inspection equipment</li> <li>• Slide unit of OA equipment</li> <li>• Wafer transfer equipment</li> <li>• Feed mechanism of IC bonding machine</li> <li>• Printed circuit board assembly table</li> <li>• Medical equipment</li> <li>• Electronic components of electron microscope</li> <li>• Optical stage</li> </ul>
18 to 90	39 to 170	<ul style="list-style-type: none"> <li>• Circular motion guide in a 4-way equal load design</li> <li>• Highly accurate circular motion without play</li> <li>• Allows an efficient design with the LM block placed in the loading point</li> <li>• Large circular motion easily achieved</li> </ul>	<ul style="list-style-type: none"> <li>• Large swivel base</li> <li>• Pendulum vehicle for railroad</li> <li>• Pantagraph</li> <li>• Control unit</li> <li>• Optical measuring machine</li> <li>• Tool grinder</li> <li>• X-Ray machine</li> <li>• CT scanner</li> <li>• Medical equipment</li> <li>• Stage setting</li> <li>• Car elevator</li> <li>• Amusement machine</li> <li>• Turntable</li> <li>• Tool changer</li> </ul>
40 to 105	70 to 175	<ul style="list-style-type: none"> <li>• Can be used in rough mount due to self-aligning on the fit surface of the case</li> <li>• Preload can be adjusted</li> <li>• Can be mounted on a black steel sheet</li> </ul>	<ul style="list-style-type: none"> <li>• XY axes of ordinary industrial machinery</li> <li>• Various conveyance systems</li> <li>• Automated warehouse</li> <li>• Palette changer</li> <li>• Automatic coating machine</li> <li>• Various welding machines</li> </ul>

## Calculating the Applied Load

The LM Guide is capable of receiving loads and moments in all directions that are generated due to the mounting orientation, alignment, gravity center position of a traveling object, thrust position and cutting resistance.

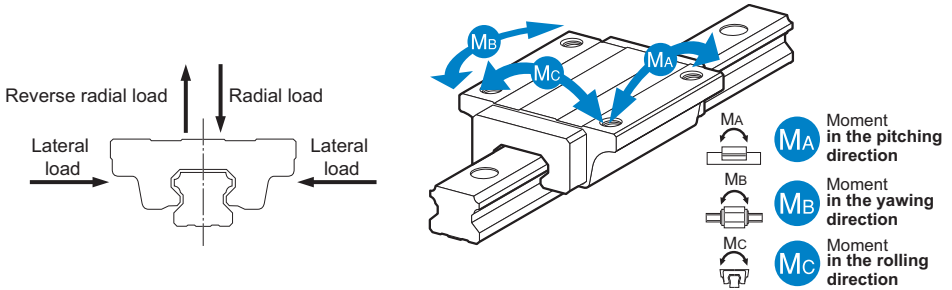


Fig.1 Directions of the Loads Applied on the LM Guide

## Calculating an Applied Load

### [Single-Axis Use]

#### ● Moment Equivalence

When the installation space for the LM Guide is limited, you may have to use only one LM block, or double LM blocks closely contacting with each other. In such a setting, the load distribution is not uniform and, as a result, an excessive load is applied in localized areas (i.e., both ends) as shown in Fig.2. Continued use under such conditions may result in flaking in those areas, consequently shortening the service life. In such a case, calculate the actual load by multiplying the moment value by any one of the equivalent-moment factors specified in Table1 to Table6.

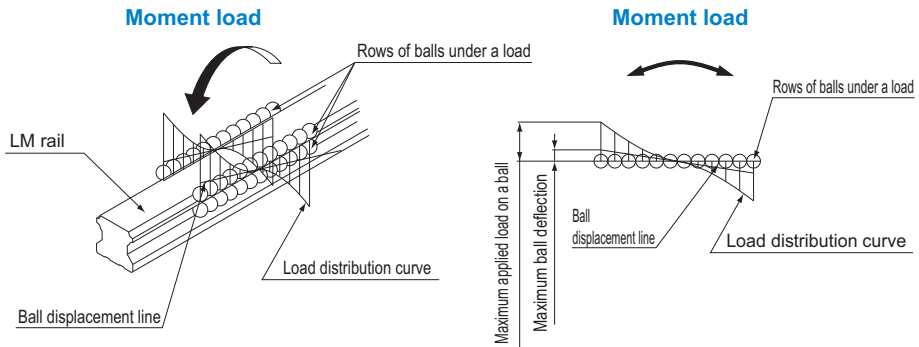


Fig.2 Ball Load when a Moment is Applied

An equivalent-load equation applicable when a moment acts on an LM Guide is shown below.

$$P = K \cdot M$$

P : Equivalent load per LM Guide (N)

K : Equivalent moment factor

M : Applied moment (N·mm)

### ● Equivalent Factor

Since the rated load is equivalent to the permissible moment, the equivalent factor to be multiplied when equalizing the  $M_A$ ,  $M_B$  and  $M_C$  moments to the applied load per block is obtained by dividing the rated loads in the corresponding directions.

With those models other than 4-way equal load types, however, the load ratings in the 4 directions differ from each other. Therefore, the equivalent factor values for the  $M_A$  and  $M_C$  moments also differ depending on whether the direction is radial or reverse radial.

### ■ Equivalent Factors for the $M_A$ Moment

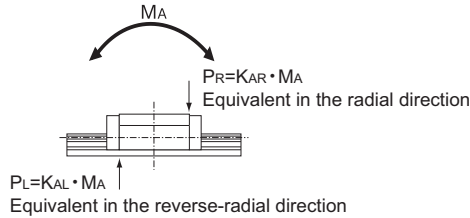


Fig.3 Equivalent Factors for the  $M_A$  Moment

Equivalent factors for the  $M_A$  Moment

Equivalent factor in the radial direction	$K_{AR} = \frac{C_0}{M_A}$
Equivalent factor in the reverse radial direction	$K_{AL} = \frac{C_{0L}}{M_A}$

$$\frac{C_0}{K_{AR} \cdot M_A} = \frac{C_{0L}}{K_{AL} \cdot M_A} = 1$$

### ■ Equivalent Factors for the $M_B$ Moment

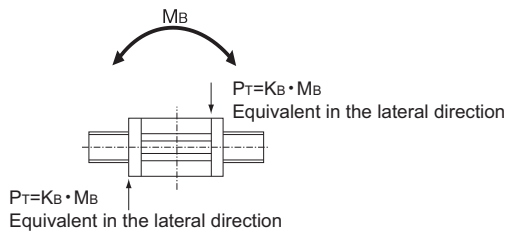


Fig.4 Equivalent Factors for the  $M_B$  Moment

Equivalent factors for the  $M_B$  Moment

Equivalent factor in the lateral directions	$K_B = \frac{C_{0T}}{M_B}$
--	----------------------------

$$\frac{C_{0T}}{K_B \cdot M_B} = 1$$

## ■ Equivalent Factors for the $M_c$ Moment

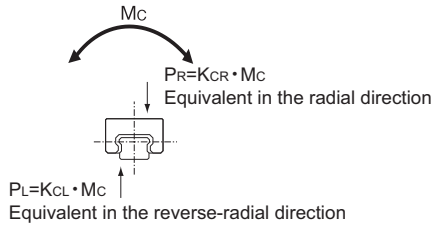


Fig.5 Equivalent Factors for the  $M_c$  Moment

Equivalent factors for the  $M_c$  Moment

Equivalent factor in the radial direction	$K_{CR} = \frac{C_0}{M_c}$
Equivalent factor in the reverse radial direction	$K_{CL} = \frac{C_{0L}}{M_c}$

$$\frac{C_0}{K_{CR} \cdot M_c} = \frac{C_{0L}}{K_{CL} \cdot M_c} = 1$$

$C_0$	: Basic static load rating (radial direction)	(N)
$C_{0L}$	: Basic static load rating (reverse radial direction)	(N)
$C_{0T}$	: Basic static load rating (lateral direction)	(N)
$P_R$	: Calculated load (radial direction)	(N)
$P_L$	: Calculated load (reverse radial direction)	(N)
$P_T$	: Calculated load (lateral direction)	(N)

Table1 Equivalent Factors (Models SHS, SSR, SVR, SVS, SHW and SRS)

Model No.		Equivalent factor							
		K <sub>AR1</sub>	K <sub>AL1</sub>	K <sub>AR2</sub>	K <sub>AL2</sub>	K <sub>B1</sub>	K <sub>B2</sub>	K <sub>CR</sub>	K <sub>CL</sub>
SHS	15	1.38 × 10 <sup>-1</sup>		2.69 × 10 <sup>-2</sup>		1.38 × 10 <sup>-1</sup>	2.69 × 10 <sup>-2</sup>		1.50 × 10 <sup>-1</sup>
	15L	1.07 × 10 <sup>-1</sup>		2.22 × 10 <sup>-2</sup>		1.07 × 10 <sup>-1</sup>	2.22 × 10 <sup>-2</sup>		1.50 × 10 <sup>-1</sup>
	20	1.15 × 10 <sup>-1</sup>		2.18 × 10 <sup>-2</sup>		1.15 × 10 <sup>-1</sup>	2.18 × 10 <sup>-2</sup>		1.06 × 10 <sup>-1</sup>
	20L	8.85 × 10 <sup>-2</sup>		1.79 × 10 <sup>-2</sup>		8.85 × 10 <sup>-2</sup>	1.79 × 10 <sup>-2</sup>		1.06 × 10 <sup>-1</sup>
	25	9.25 × 10 <sup>-2</sup>		1.90 × 10 <sup>-2</sup>		9.25 × 10 <sup>-2</sup>	1.90 × 10 <sup>-2</sup>		9.29 × 10 <sup>-2</sup>
	25L	7.62 × 10 <sup>-2</sup>		1.62 × 10 <sup>-2</sup>		7.62 × 10 <sup>-2</sup>	1.62 × 10 <sup>-2</sup>		9.29 × 10 <sup>-2</sup>
	30	8.47 × 10 <sup>-2</sup>		1.63 × 10 <sup>-2</sup>		8.47 × 10 <sup>-2</sup>	1.63 × 10 <sup>-2</sup>		7.69 × 10 <sup>-2</sup>
	30L	6.52 × 10 <sup>-2</sup>		1.34 × 10 <sup>-2</sup>		6.52 × 10 <sup>-2</sup>	1.34 × 10 <sup>-2</sup>		7.69 × 10 <sup>-2</sup>
	35	6.95 × 10 <sup>-2</sup>		1.43 × 10 <sup>-2</sup>		6.95 × 10 <sup>-2</sup>	1.43 × 10 <sup>-2</sup>		6.29 × 10 <sup>-2</sup>
	35L	5.43 × 10 <sup>-2</sup>		1.16 × 10 <sup>-2</sup>		5.43 × 10 <sup>-2</sup>	1.16 × 10 <sup>-2</sup>		6.29 × 10 <sup>-2</sup>
	45	6.13 × 10 <sup>-2</sup>		1.24 × 10 <sup>-2</sup>		6.13 × 10 <sup>-2</sup>	1.24 × 10 <sup>-2</sup>		4.69 × 10 <sup>-2</sup>
	45L	4.79 × 10 <sup>-2</sup>		1.02 × 10 <sup>-2</sup>		4.79 × 10 <sup>-2</sup>	1.02 × 10 <sup>-2</sup>		4.69 × 10 <sup>-2</sup>
	55	4.97 × 10 <sup>-2</sup>		1.02 × 10 <sup>-2</sup>		4.97 × 10 <sup>-2</sup>	1.02 × 10 <sup>-2</sup>		4.02 × 10 <sup>-2</sup>
	55L	3.88 × 10 <sup>-2</sup>		8.30 × 10 <sup>-3</sup>		3.88 × 10 <sup>-2</sup>	8.30 × 10 <sup>-3</sup>		4.02 × 10 <sup>-2</sup>
	65	3.87 × 10 <sup>-2</sup>		7.91 × 10 <sup>-3</sup>		3.87 × 10 <sup>-2</sup>	7.91 × 10 <sup>-3</sup>		3.40 × 10 <sup>-2</sup>
	65L	3.06 × 10 <sup>-2</sup>		6.51 × 10 <sup>-3</sup>		3.06 × 10 <sup>-2</sup>	6.51 × 10 <sup>-3</sup>		3.40 × 10 <sup>-2</sup>
SSR	15XW(XTB)	2.08 × 10 <sup>-1</sup>	1.04 × 10 <sup>-1</sup>	3.75 × 10 <sup>-2</sup>	1.87 × 10 <sup>-2</sup>	1.46 × 10 <sup>-1</sup>	2.59 × 10 <sup>-2</sup>	1.71 × 10 <sup>-1</sup>	8.57 × 10 <sup>-2</sup>
	15XV(XSB)	3.19 × 10 <sup>-1</sup>	1.60 × 10 <sup>-1</sup>	5.03 × 10 <sup>-2</sup>	2.51 × 10 <sup>-2</sup>	2.20 × 10 <sup>-1</sup>	3.41 × 10 <sup>-2</sup>	1.71 × 10 <sup>-1</sup>	8.57 × 10 <sup>-2</sup>
	20XW(XTB)	1.69 × 10 <sup>-1</sup>	8.46 × 10 <sup>-2</sup>	3.23 × 10 <sup>-2</sup>	1.62 × 10 <sup>-2</sup>	1.19 × 10 <sup>-1</sup>	2.25 × 10 <sup>-2</sup>	1.29 × 10 <sup>-1</sup>	6.44 × 10 <sup>-2</sup>
	20XV(XSB)	2.75 × 10 <sup>-1</sup>	1.37 × 10 <sup>-1</sup>	4.28 × 10 <sup>-2</sup>	2.14 × 10 <sup>-2</sup>	1.89 × 10 <sup>-1</sup>	2.89 × 10 <sup>-2</sup>	1.29 × 10 <sup>-1</sup>	6.44 × 10 <sup>-2</sup>
	25XW(XTB)	1.41 × 10 <sup>-1</sup>	7.05 × 10 <sup>-2</sup>	2.56 × 10 <sup>-2</sup>	1.28 × 10 <sup>-2</sup>	9.86 × 10 <sup>-2</sup>	1.77 × 10 <sup>-2</sup>	1.10 × 10 <sup>-1</sup>	5.51 × 10 <sup>-2</sup>
	25XV(XSB)	2.15 × 10 <sup>-1</sup>	1.08 × 10 <sup>-1</sup>	3.40 × 10 <sup>-2</sup>	1.70 × 10 <sup>-2</sup>	1.48 × 10 <sup>-1</sup>	2.31 × 10 <sup>-2</sup>	1.10 × 10 <sup>-1</sup>	5.51 × 10 <sup>-2</sup>
	30XW(XTB)	1.18 × 10 <sup>-1</sup>	5.91 × 10 <sup>-2</sup>	2.19 × 10 <sup>-2</sup>	1.10 × 10 <sup>-2</sup>	8.26 × 10 <sup>-2</sup>	1.52 × 10 <sup>-2</sup>	9.22 × 10 <sup>-2</sup>	4.61 × 10 <sup>-2</sup>
	30XV(XSB)	1.85 × 10 <sup>-1</sup>	9.24 × 10 <sup>-2</sup>	4.69 × 10 <sup>-2</sup>	2.34 × 10 <sup>-2</sup>	1.27 × 10 <sup>-1</sup>	3.19 × 10 <sup>-2</sup>	9.16 × 10 <sup>-2</sup>	4.58 × 10 <sup>-2</sup>
	35XW(XTB)	1.01 × 10 <sup>-1</sup>	5.03 × 10 <sup>-2</sup>	1.92 × 10 <sup>-2</sup>	9.60 × 10 <sup>-3</sup>	7.04 × 10 <sup>-2</sup>	1.33 × 10 <sup>-2</sup>	7.64 × 10 <sup>-2</sup>	3.82 × 10 <sup>-2</sup>
	35XV(XSB)	1.58 × 10 <sup>-1</sup>	7.91 × 10 <sup>-2</sup>	4.04 × 10 <sup>-2</sup>	2.02 × 10 <sup>-2</sup>	1.09 × 10 <sup>-1</sup>	2.75 × 10 <sup>-2</sup>	7.59 × 10 <sup>-2</sup>	3.80 × 10 <sup>-2</sup>
SVR	25	1.13 × 10 <sup>-1</sup>	7.28 × 10 <sup>-2</sup>	2.25 × 10 <sup>-2</sup>	1.45 × 10 <sup>-2</sup>	7.14 × 10 <sup>-2</sup>	1.43 × 10 <sup>-2</sup>	9.59 × 10 <sup>-2</sup>	6.17 × 10 <sup>-2</sup>
	25L	9.14 × 10 <sup>-2</sup>	5.88 × 10 <sup>-2</sup>	1.85 × 10 <sup>-2</sup>	1.19 × 10 <sup>-2</sup>	5.80 × 10 <sup>-2</sup>	1.17 × 10 <sup>-2</sup>	9.59 × 10 <sup>-2</sup>	6.17 × 10 <sup>-2</sup>
	30	1.01 × 10 <sup>-1</sup>	6.50 × 10 <sup>-2</sup>	1.89 × 10 <sup>-2</sup>	1.21 × 10 <sup>-2</sup>	6.36 × 10 <sup>-2</sup>	1.19 × 10 <sup>-2</sup>	8.45 × 10 <sup>-2</sup>	5.43 × 10 <sup>-2</sup>
	30L	7.56 × 10 <sup>-2</sup>	4.86 × 10 <sup>-2</sup>	1.57 × 10 <sup>-2</sup>	1.01 × 10 <sup>-2</sup>	4.79 × 10 <sup>-2</sup>	1.00 × 10 <sup>-2</sup>	8.45 × 10 <sup>-2</sup>	5.43 × 10 <sup>-2</sup>
	35	9.19 × 10 <sup>-2</sup>	5.91 × 10 <sup>-2</sup>	1.68 × 10 <sup>-2</sup>	1.08 × 10 <sup>-2</sup>	5.77 × 10 <sup>-2</sup>	1.06 × 10 <sup>-2</sup>	7.08 × 10 <sup>-2</sup>	4.55 × 10 <sup>-2</sup>
	35L	6.80 × 10 <sup>-2</sup>	4.37 × 10 <sup>-2</sup>	1.39 × 10 <sup>-2</sup>	8.97 × 10 <sup>-3</sup>	4.31 × 10 <sup>-2</sup>	8.86 × 10 <sup>-3</sup>	7.08 × 10 <sup>-2</sup>	4.55 × 10 <sup>-2</sup>
	45	6.73 × 10 <sup>-2</sup>	4.33 × 10 <sup>-2</sup>	1.35 × 10 <sup>-2</sup>	8.71 × 10 <sup>-3</sup>	4.25 × 10 <sup>-2</sup>	8.59 × 10 <sup>-3</sup>	5.32 × 10 <sup>-2</sup>	3.42 × 10 <sup>-2</sup>
	45L	5.40 × 10 <sup>-2</sup>	3.47 × 10 <sup>-2</sup>	1.10 × 10 <sup>-2</sup>	7.09 × 10 <sup>-3</sup>	3.41 × 10 <sup>-2</sup>	6.97 × 10 <sup>-3</sup>	5.30 × 10 <sup>-2</sup>	3.41 × 10 <sup>-2</sup>
	55	5.89 × 10 <sup>-2</sup>	3.79 × 10 <sup>-2</sup>	1.14 × 10 <sup>-2</sup>	7.35 × 10 <sup>-3</sup>	3.72 × 10 <sup>-2</sup>	7.24 × 10 <sup>-3</sup>	4.63 × 10 <sup>-2</sup>	2.98 × 10 <sup>-2</sup>
	55L	4.55 × 10 <sup>-2</sup>	2.92 × 10 <sup>-2</sup>	9.45 × 10 <sup>-3</sup>	6.08 × 10 <sup>-3</sup>	2.89 × 10 <sup>-2</sup>	6.02 × 10 <sup>-3</sup>	4.63 × 10 <sup>-2</sup>	2.98 × 10 <sup>-2</sup>
	65	4.85 × 10 <sup>-2</sup>	3.12 × 10 <sup>-2</sup>	1.01 × 10 <sup>-2</sup>	6.48 × 10 <sup>-3</sup>	3.06 × 10 <sup>-2</sup>	6.40 × 10 <sup>-3</sup>	3.91 × 10 <sup>-2</sup>	2.51 × 10 <sup>-2</sup>
65L	3.58 × 10 <sup>-2</sup>	2.30 × 10 <sup>-2</sup>	7.73 × 10 <sup>-3</sup>	4.97 × 10 <sup>-3</sup>	2.28 × 10 <sup>-2</sup>	4.93 × 10 <sup>-3</sup>	3.91 × 10 <sup>-2</sup>	2.51 × 10 <sup>-2</sup>	

Model No.		Equivalent factor							
		$K_{AR1}$	$K_{AL1}$	$K_{AR2}$	$K_{AL2}$	$K_{B1}$	$K_{B2}$	$K_{CR}$	$K_{CL}$
SVS	25	$1.09 \times 10^{-1}$	$9.14 \times 10^{-2}$	$2.17 \times 10^{-2}$	$1.82 \times 10^{-2}$	$1.00 \times 10^{-1}$	$2.00 \times 10^{-2}$	$9.95 \times 10^{-2}$	$8.35 \times 10^{-2}$
	25L	$8.82 \times 10^{-2}$	$7.40 \times 10^{-2}$	$1.78 \times 10^{-2}$	$1.50 \times 10^{-2}$	$8.13 \times 10^{-2}$	$1.64 \times 10^{-2}$	$9.95 \times 10^{-2}$	$8.35 \times 10^{-2}$
	30	$9.71 \times 10^{-2}$	$8.15 \times 10^{-2}$	$1.82 \times 10^{-2}$	$1.52 \times 10^{-2}$	$8.95 \times 10^{-2}$	$1.67 \times 10^{-2}$	$8.78 \times 10^{-2}$	$7.37 \times 10^{-2}$
	30L	$7.29 \times 10^{-2}$	$6.11 \times 10^{-2}$	$1.51 \times 10^{-2}$	$1.27 \times 10^{-2}$	$6.72 \times 10^{-2}$	$1.39 \times 10^{-2}$	$8.78 \times 10^{-2}$	$7.37 \times 10^{-2}$
	35	$8.84 \times 10^{-2}$	$7.42 \times 10^{-2}$	$1.61 \times 10^{-2}$	$1.35 \times 10^{-2}$	$8.14 \times 10^{-2}$	$1.48 \times 10^{-2}$	$7.36 \times 10^{-2}$	$6.17 \times 10^{-2}$
	35L	$6.56 \times 10^{-2}$	$5.50 \times 10^{-2}$	$1.34 \times 10^{-2}$	$1.13 \times 10^{-2}$	$6.04 \times 10^{-2}$	$1.24 \times 10^{-2}$	$7.36 \times 10^{-2}$	$6.17 \times 10^{-2}$
	45	$6.48 \times 10^{-2}$	$5.44 \times 10^{-2}$	$1.30 \times 10^{-2}$	$1.09 \times 10^{-2}$	$5.98 \times 10^{-2}$	$1.20 \times 10^{-2}$	$5.45 \times 10^{-2}$	$4.57 \times 10^{-2}$
	45L	$5.22 \times 10^{-2}$	$4.38 \times 10^{-2}$	$1.07 \times 10^{-2}$	$8.94 \times 10^{-3}$	$4.81 \times 10^{-2}$	$9.81 \times 10^{-3}$	$5.44 \times 10^{-2}$	$4.56 \times 10^{-2}$
	55	$5.67 \times 10^{-2}$	$4.76 \times 10^{-2}$	$1.10 \times 10^{-2}$	$9.24 \times 10^{-3}$	$5.23 \times 10^{-2}$	$1.01 \times 10^{-2}$	$4.78 \times 10^{-2}$	$4.01 \times 10^{-2}$
	55L	$4.39 \times 10^{-2}$	$3.68 \times 10^{-2}$	$9.12 \times 10^{-3}$	$7.65 \times 10^{-3}$	$4.05 \times 10^{-2}$	$8.40 \times 10^{-3}$	$4.78 \times 10^{-2}$	$4.01 \times 10^{-2}$
	65	$4.67 \times 10^{-2}$	$3.92 \times 10^{-2}$	$9.72 \times 10^{-3}$	$8.15 \times 10^{-3}$	$4.30 \times 10^{-2}$	$8.95 \times 10^{-3}$	$4.04 \times 10^{-2}$	$3.39 \times 10^{-2}$
	65L	$3.46 \times 10^{-2}$	$2.90 \times 10^{-2}$	$7.46 \times 10^{-3}$	$6.26 \times 10^{-3}$	$3.19 \times 10^{-2}$	$6.88 \times 10^{-3}$	$4.04 \times 10^{-2}$	$3.39 \times 10^{-2}$
SHW	12	$2.48 \times 10^{-1}$		$4.69 \times 10^{-2}$		$2.48 \times 10^{-1}$	$4.69 \times 10^{-2}$	$1.40 \times 10^{-1}$	
	12HR	$1.70 \times 10^{-1}$		$3.52 \times 10^{-2}$		$1.70 \times 10^{-1}$	$3.52 \times 10^{-2}$	$1.40 \times 10^{-1}$	
	14	$1.92 \times 10^{-1}$		$3.80 \times 10^{-2}$		$1.92 \times 10^{-1}$	$3.80 \times 10^{-2}$	$9.93 \times 10^{-2}$	
	17	$1.72 \times 10^{-1}$		$3.41 \times 10^{-2}$		$1.72 \times 10^{-1}$	$3.41 \times 10^{-2}$	$6.21 \times 10^{-2}$	
	21	$1.59 \times 10^{-1}$		$2.95 \times 10^{-2}$		$1.59 \times 10^{-1}$	$2.95 \times 10^{-2}$	$5.57 \times 10^{-2}$	
	27	$1.21 \times 10^{-1}$		$2.39 \times 10^{-2}$		$1.21 \times 10^{-1}$	$2.39 \times 10^{-2}$	$4.99 \times 10^{-2}$	
	35	$8.15 \times 10^{-2}$		$1.64 \times 10^{-2}$		$8.15 \times 10^{-2}$	$1.64 \times 10^{-2}$	$3.02 \times 10^{-2}$	
	50	$6.22 \times 10^{-2}$		$1.24 \times 10^{-2}$		$6.22 \times 10^{-2}$	$1.24 \times 10^{-2}$	$2.30 \times 10^{-2}$	
SRS	5M	$6.33 \times 10^{-1}$		$9.20 \times 10^{-2}$		$6.45 \times 10^{-1}$	$9.30 \times 10^{-2}$	$3.85 \times 10^{-1}$	
	5GM	$6.71 \times 10^{-1}$		$9.15 \times 10^{-2}$		$6.66 \times 10^{-1}$	$9.08 \times 10^{-2}$	$3.85 \times 10^{-1}$	
	5N	$5.23 \times 10^{-1}$		$7.87 \times 10^{-2}$		$5.32 \times 10^{-1}$	$7.99 \times 10^{-2}$	$3.86 \times 10^{-1}$	
	5GN	$5.25 \times 10^{-1}$		$7.97 \times 10^{-2}$		$5.33 \times 10^{-1}$	$8.12 \times 10^{-2}$	$3.84 \times 10^{-1}$	
	5WM	$4.48 \times 10^{-1}$		$7.30 \times 10^{-2}$		$4.56 \times 10^{-1}$	$7.40 \times 10^{-2}$	$1.96 \times 10^{-1}$	
	5WGM	$4.58 \times 10^{-1}$		$7.39 \times 10^{-2}$		$4.54 \times 10^{-1}$	$7.34 \times 10^{-2}$	$1.96 \times 10^{-1}$	
	5WN	$3.31 \times 10^{-1}$		$5.93 \times 10^{-2}$		$3.36 \times 10^{-1}$	$6.02 \times 10^{-2}$	$1.96 \times 10^{-1}$	
	5WGN	$3.31 \times 10^{-1}$		$5.97 \times 10^{-2}$		$3.35 \times 10^{-1}$	$6.05 \times 10^{-2}$	$1.96 \times 10^{-1}$	
	7S	$6.03 \times 10^{-1}$		$7.65 \times 10^{-2}$		$6.27 \times 10^{-1}$	$7.91 \times 10^{-2}$	$2.58 \times 10^{-1}$	
	7GS	$5.92 \times 10^{-1}$		$7.89 \times 10^{-2}$		$6.14 \times 10^{-1}$	$8.17 \times 10^{-2}$	$2.58 \times 10^{-1}$	
	7M	$4.19 \times 10^{-1}$		$6.76 \times 10^{-2}$		$4.18 \times 10^{-1}$	$6.94 \times 10^{-2}$	$2.58 \times 10^{-1}$	
	7GM	$4.27 \times 10^{-1}$		$6.04 \times 10^{-2}$		$4.43 \times 10^{-1}$	$6.23 \times 10^{-2}$	$2.34 \times 10^{-1}$	
	7N	$2.97 \times 10^{-1}$		$5.35 \times 10^{-2}$		$3.07 \times 10^{-1}$	$5.50 \times 10^{-2}$	$2.58 \times 10^{-1}$	
	7GN	$3.11 \times 10^{-1}$		$5.35 \times 10^{-2}$		$3.20 \times 10^{-1}$	$5.51 \times 10^{-2}$	$2.58 \times 10^{-1}$	
	7WS	$4.67 \times 10^{-1}$		$6.89 \times 10^{-2}$		$4.84 \times 10^{-1}$	$7.08 \times 10^{-2}$	$1.36 \times 10^{-1}$	
	7WGS	$5.23 \times 10^{-1}$		$6.75 \times 10^{-2}$		$5.43 \times 10^{-1}$	$6.95 \times 10^{-2}$	$1.36 \times 10^{-1}$	
	7WM	$3.01 \times 10^{-1}$		$5.32 \times 10^{-2}$		$3.00 \times 10^{-1}$	$5.46 \times 10^{-2}$	$1.36 \times 10^{-1}$	
	7WGM	$2.83 \times 10^{-1}$		$4.87 \times 10^{-2}$		$2.93 \times 10^{-1}$	$5.02 \times 10^{-2}$	$1.24 \times 10^{-1}$	
7WN	$2.19 \times 10^{-1}$		$4.16 \times 10^{-2}$		$2.24 \times 10^{-1}$	$4.28 \times 10^{-2}$	$1.36 \times 10^{-1}$		
7WGN	$2.20 \times 10^{-1}$		$4.17 \times 10^{-2}$		$2.27 \times 10^{-1}$	$4.31 \times 10^{-2}$	$1.36 \times 10^{-1}$		

$K_{AR1}$  : Equivalent factor in the  $M_r$  radial direction when one LM block is used  
 $K_{AL1}$  : Equivalent factor in the  $M_r$  reverse radial direction when one LM block is used  
 $K_{AR2}$  : Equivalent factor in the  $M_A$  radial direction when two LM blocks are used in close contact with each other  
 $K_{AL2}$  : Equivalent factor in the  $M_A$  reverse radial direction when two LM blocks are used in close contact with each other

$K_{B1}$  :  $M_s$  Equivalent factor when one LM block is used  
 $K_{B2}$  :  $M_s$  Equivalent factor when two LM blocks are used in close contact with each other  
 $K_{CR}$  : Equivalent factor in the  $M_c$  radial direction  
 $K_{CL}$  : Equivalent factor in the  $M_c$  reverse radial direction



Table2 Equivalent Factors (Models SRS, SCR, EPF and HSR)

Model No.		Equivalent factor							
		K <sub>AR1</sub>	K <sub>AL1</sub>	K <sub>AR2</sub>	K <sub>AL2</sub>	K <sub>B1</sub>	K <sub>B2</sub>	K <sub>CR</sub>	K <sub>CL</sub>
SRS	9XS	4.86×10 <sup>-1</sup>		6.89×10 <sup>-2</sup>		5.04×10 <sup>-1</sup>	7.11×10 <sup>-2</sup>		2.17×10 <sup>-1</sup>
	9XGS	5.37×10 <sup>-1</sup>		6.77×10 <sup>-2</sup>		5.57×10 <sup>-1</sup>	7.00×10 <sup>-2</sup>		2.17×10 <sup>-1</sup>
	9XM	2.95×10 <sup>-1</sup>		5.27×10 <sup>-2</sup>		3.06×10 <sup>-1</sup>	5.43×10 <sup>-2</sup>		2.17×10 <sup>-1</sup>
	9XGM	3.10×10 <sup>-1</sup>		5.28×10 <sup>-2</sup>		3.19×10 <sup>-1</sup>	5.44×10 <sup>-2</sup>		2.17×10 <sup>-1</sup>
	9XN	2.13×10 <sup>-1</sup>		4.12×10 <sup>-2</sup>		2.19×10 <sup>-1</sup>	4.23×10 <sup>-2</sup>		2.17×10 <sup>-1</sup>
	9XGN	2.18×10 <sup>-1</sup>		4.14×10 <sup>-2</sup>		2.24×10 <sup>-1</sup>	4.27×10 <sup>-2</sup>		2.17×10 <sup>-1</sup>
	9WS	4.10×10 <sup>-1</sup>		5.73×10 <sup>-2</sup>		4.25×10 <sup>-1</sup>	5.63×10 <sup>-2</sup>		1.06×10 <sup>-1</sup>
	9WGS	4.16×10 <sup>-1</sup>		5.80×10 <sup>-2</sup>		4.30×10 <sup>-1</sup>	5.98×10 <sup>-2</sup>		1.06×10 <sup>-1</sup>
	9WM	2.37×10 <sup>-1</sup>		4.25×10 <sup>-2</sup>		2.44×10 <sup>-1</sup>	4.37×10 <sup>-2</sup>		1.06×10 <sup>-1</sup>
	9WGM	2.41×10 <sup>-1</sup>		4.80×10 <sup>-2</sup>		2.41×10 <sup>-1</sup>	4.13×10 <sup>-2</sup>		1.06×10 <sup>-1</sup>
	9WN	1.74×10 <sup>-1</sup>		3.35×10 <sup>-2</sup>		1.78×10 <sup>-1</sup>	3.44×10 <sup>-2</sup>		1.06×10 <sup>-1</sup>
	9WGN	1.75×10 <sup>-1</sup>		3.38×10 <sup>-2</sup>		1.73×10 <sup>-1</sup>	3.32×10 <sup>-2</sup>		1.06×10 <sup>-1</sup>
	12S	4.55×10 <sup>-1</sup>		5.60×10 <sup>-2</sup>		4.55×10 <sup>-1</sup>	5.60×10 <sup>-2</sup>		1.52×10 <sup>-1</sup>
	12GS	5.04×10 <sup>-1</sup>		5.51×10 <sup>-2</sup>		5.04×10 <sup>-1</sup>	5.51×10 <sup>-2</sup>		1.52×10 <sup>-1</sup>
	12M	2.94×10 <sup>-1</sup>		4.50×10 <sup>-2</sup>		2.94×10 <sup>-1</sup>	4.50×10 <sup>-2</sup>		1.53×10 <sup>-1</sup>
	12GM	2.93×10 <sup>-1</sup>		4.49×10 <sup>-2</sup>		2.93×10 <sup>-1</sup>	4.49×10 <sup>-2</sup>		1.53×10 <sup>-1</sup>
	12N	1.86×10 <sup>-1</sup>		3.51×10 <sup>-2</sup>		1.86×10 <sup>-1</sup>	3.51×10 <sup>-2</sup>		1.53×10 <sup>-1</sup>
	12GN	1.96×10 <sup>-1</sup>		3.50×10 <sup>-2</sup>		1.96×10 <sup>-1</sup>	3.50×10 <sup>-2</sup>		1.53×10 <sup>-1</sup>
	12WS	3.22×10 <sup>-1</sup>		5.00×10 <sup>-2</sup>		3.22×10 <sup>-1</sup>	5.00×10 <sup>-2</sup>		7.97×10 <sup>-2</sup>
	12WGS	3.32×10 <sup>-1</sup>		5.07×10 <sup>-2</sup>		3.32×10 <sup>-1</sup>	5.07×10 <sup>-2</sup>		7.97×10 <sup>-2</sup>
	12WM	2.00×10 <sup>-1</sup>		3.69×10 <sup>-2</sup>		2.00×10 <sup>-1</sup>	3.69×10 <sup>-2</sup>		7.97×10 <sup>-2</sup>
	12WGM	2.07×10 <sup>-1</sup>		3.64×10 <sup>-2</sup>		2.07×10 <sup>-1</sup>	3.64×10 <sup>-2</sup>		7.96×10 <sup>-2</sup>
	12WN	1.44×10 <sup>-1</sup>		2.83×10 <sup>-2</sup>		1.44×10 <sup>-1</sup>	2.83×10 <sup>-2</sup>		7.97×10 <sup>-2</sup>
	12WGN	1.46×10 <sup>-1</sup>		2.85×10 <sup>-2</sup>		1.46×10 <sup>-1</sup>	2.85×10 <sup>-2</sup>		7.95×10 <sup>-2</sup>
	15S	3.56×10 <sup>-1</sup>		4.38×10 <sup>-2</sup>		3.56×10 <sup>-1</sup>	4.38×10 <sup>-2</sup>		1.41×10 <sup>-1</sup>
	15GS	3.37×10 <sup>-1</sup>		4.57×10 <sup>-2</sup>		3.37×10 <sup>-1</sup>	4.57×10 <sup>-2</sup>		1.41×10 <sup>-1</sup>
	15M	2.17×10 <sup>-1</sup>		3.69×10 <sup>-2</sup>		2.17×10 <sup>-1</sup>	3.69×10 <sup>-2</sup>		1.41×10 <sup>-1</sup>
	15GM	2.31×10 <sup>-1</sup>		3.61×10 <sup>-2</sup>		2.31×10 <sup>-1</sup>	3.61×10 <sup>-2</sup>		1.41×10 <sup>-1</sup>
	15N	1.43×10 <sup>-1</sup>		2.73×10 <sup>-2</sup>		1.43×10 <sup>-1</sup>	2.73×10 <sup>-2</sup>		1.41×10 <sup>-1</sup>
	15GN	1.45×10 <sup>-1</sup>		2.75×10 <sup>-2</sup>		1.45×10 <sup>-1</sup>	2.75×10 <sup>-2</sup>		1.41×10 <sup>-1</sup>
	15WS	2.34×10 <sup>-1</sup>		3.76×10 <sup>-2</sup>		2.34×10 <sup>-1</sup>	3.76×10 <sup>-2</sup>		4.83×10 <sup>-2</sup>
	15WGS	2.34×10 <sup>-1</sup>		3.81×10 <sup>-2</sup>		2.34×10 <sup>-1</sup>	3.81×10 <sup>-2</sup>		4.84×10 <sup>-2</sup>
	15WM	1.67×10 <sup>-1</sup>		2.94×10 <sup>-2</sup>		1.67×10 <sup>-1</sup>	2.94×10 <sup>-2</sup>		4.83×10 <sup>-2</sup>
	15WGM	1.63×10 <sup>-1</sup>		2.93×10 <sup>-2</sup>		1.63×10 <sup>-1</sup>	2.93×10 <sup>-2</sup>		4.83×10 <sup>-2</sup>
	15WN	1.13×10 <sup>-1</sup>		2.27×10 <sup>-2</sup>		1.13×10 <sup>-1</sup>	2.27×10 <sup>-2</sup>		4.83×10 <sup>-2</sup>
	15WGN	1.15×10 <sup>-1</sup>		2.28×10 <sup>-2</sup>		1.15×10 <sup>-1</sup>	2.28×10 <sup>-2</sup>		4.83×10 <sup>-2</sup>
	20M	1.80×10 <sup>-1</sup>		3.30×10 <sup>-2</sup>		1.86×10 <sup>-1</sup>	3.41×10 <sup>-2</sup>		9.34×10 <sup>-2</sup>
	20GM	2.10×10 <sup>-1</sup>		3.88×10 <sup>-2</sup>		2.10×10 <sup>-1</sup>	3.87×10 <sup>-2</sup>		1.03×10 <sup>-1</sup>
	25M	1.14×10 <sup>-1</sup>		2.17×10 <sup>-2</sup>		1.14×10 <sup>-1</sup>	2.17×10 <sup>-2</sup>		8.13×10 <sup>-2</sup>
	25GM	1.23×10 <sup>-1</sup>		2.32×10 <sup>-2</sup>		1.23×10 <sup>-1</sup>	2.32×10 <sup>-2</sup>		8.75×10 <sup>-2</sup>

Model No.		Equivalent factor							
		$K_{AR1}$	$K_{AL1}$	$K_{AR2}$	$K_{AL2}$	$K_{B1}$	$K_{B2}$	$K_{CR}$	$K_{CL}$
SCR	15S	$1.38 \times 10^{-1}$		$2.69 \times 10^{-2}$		$1.38 \times 10^{-1}$		$1.50 \times 10^{-1}$	
	20S	$1.15 \times 10^{-1}$		$2.18 \times 10^{-2}$		$1.15 \times 10^{-1}$		$1.06 \times 10^{-1}$	
	20	$8.85 \times 10^{-2}$		$1.79 \times 10^{-2}$		$8.85 \times 10^{-2}$		$1.06 \times 10^{-1}$	
	25	$9.25 \times 10^{-2}$		$1.90 \times 10^{-2}$		$9.25 \times 10^{-2}$	$1.90 \times 10^{-2}$	$9.29 \times 10^{-2}$	
	30	$8.47 \times 10^{-2}$		$1.63 \times 10^{-2}$		$8.47 \times 10^{-2}$	$1.63 \times 10^{-2}$	$7.69 \times 10^{-2}$	
	35	$6.95 \times 10^{-2}$		$1.43 \times 10^{-2}$		$6.95 \times 10^{-2}$	$1.43 \times 10^{-2}$	$6.29 \times 10^{-2}$	
	45	$6.13 \times 10^{-2}$		$1.24 \times 10^{-2}$		$6.13 \times 10^{-2}$	$1.24 \times 10^{-2}$	$4.69 \times 10^{-2}$	
EPF	65	$3.87 \times 10^{-2}$		$7.91 \times 10^{-3}$		$3.87 \times 10^{-2}$	$7.91 \times 10^{-3}$	$3.40 \times 10^{-2}$	
	7M	$3.55 \times 10^{-1}$		—		$3.55 \times 10^{-1}$		$2.86 \times 10^{-1}$	
	9M	$3.10 \times 10^{-1}$		—		$3.10 \times 10^{-1}$		$2.22 \times 10^{-1}$	
	12M	$2.68 \times 10^{-1}$		—		$2.68 \times 10^{-1}$		$1.67 \times 10^{-1}$	
	15M	$2.00 \times 10^{-1}$		—		$2.00 \times 10^{-1}$		$1.34 \times 10^{-1}$	
HSR	8	$4.39 \times 10^{-1}$		$6.75 \times 10^{-2}$		$4.39 \times 10^{-1}$	$6.75 \times 10^{-2}$	$2.97 \times 10^{-1}$	
	10	$3.09 \times 10^{-1}$		$5.33 \times 10^{-2}$		$3.09 \times 10^{-1}$	$5.33 \times 10^{-2}$	$2.35 \times 10^{-1}$	
	12	$2.08 \times 10^{-1}$		$3.74 \times 10^{-2}$		$2.08 \times 10^{-1}$	$3.74 \times 10^{-2}$	$1.91 \times 10^{-1}$	
	15	$1.66 \times 10^{-1}$		$2.98 \times 10^{-2}$		$1.66 \times 10^{-1}$	$2.98 \times 10^{-2}$	$1.57 \times 10^{-1}$	
	15L	$1.18 \times 10^{-1}$		$2.33 \times 10^{-2}$		$1.18 \times 10^{-1}$	$2.33 \times 10^{-2}$	$1.57 \times 10^{-1}$	
	20	$1.26 \times 10^{-1}$		$2.28 \times 10^{-2}$		$1.26 \times 10^{-1}$	$2.28 \times 10^{-2}$	$1.17 \times 10^{-1}$	
	20L	$9.88 \times 10^{-2}$		$1.92 \times 10^{-2}$		$9.88 \times 10^{-2}$	$1.92 \times 10^{-2}$	$1.17 \times 10^{-1}$	
	25	$1.12 \times 10^{-1}$		$2.02 \times 10^{-2}$		$1.12 \times 10^{-1}$	$2.02 \times 10^{-2}$	$9.96 \times 10^{-2}$	
	25L	$8.23 \times 10^{-2}$		$1.70 \times 10^{-2}$		$8.23 \times 10^{-2}$	$1.70 \times 10^{-2}$	$9.96 \times 10^{-2}$	
	30	$8.97 \times 10^{-2}$		$1.73 \times 10^{-2}$		$8.97 \times 10^{-2}$	$1.73 \times 10^{-2}$	$8.24 \times 10^{-2}$	
	30L	$7.05 \times 10^{-2}$		$1.44 \times 10^{-2}$		$7.05 \times 10^{-2}$	$1.44 \times 10^{-2}$	$8.24 \times 10^{-2}$	
	35	$7.85 \times 10^{-2}$		$1.56 \times 10^{-2}$		$7.85 \times 10^{-2}$	$1.56 \times 10^{-2}$	$6.69 \times 10^{-2}$	
	35L	$6.17 \times 10^{-2}$		$1.29 \times 10^{-2}$		$6.17 \times 10^{-2}$	$1.29 \times 10^{-2}$	$6.69 \times 10^{-2}$	
	45	$6.73 \times 10^{-2}$		$1.21 \times 10^{-2}$		$6.73 \times 10^{-2}$	$1.21 \times 10^{-2}$	$5.20 \times 10^{-2}$	
	45L	$5.22 \times 10^{-2}$		$1.01 \times 10^{-2}$		$5.22 \times 10^{-2}$	$1.01 \times 10^{-2}$	$5.20 \times 10^{-2}$	
	55	$5.61 \times 10^{-2}$		$1.03 \times 10^{-2}$		$5.61 \times 10^{-2}$	$1.03 \times 10^{-2}$	$4.26 \times 10^{-2}$	
	55L	$4.35 \times 10^{-2}$		$8.56 \times 10^{-3}$		$4.35 \times 10^{-2}$	$8.56 \times 10^{-3}$	$4.26 \times 10^{-2}$	
	65	$4.49 \times 10^{-2}$		$9.13 \times 10^{-3}$		$4.49 \times 10^{-2}$	$9.13 \times 10^{-3}$	$3.68 \times 10^{-2}$	
	65L	$3.29 \times 10^{-2}$		$7.08 \times 10^{-3}$		$3.29 \times 10^{-2}$	$7.08 \times 10^{-3}$	$3.68 \times 10^{-2}$	
	85	$3.49 \times 10^{-2}$		$6.94 \times 10^{-3}$		$3.49 \times 10^{-2}$	$6.94 \times 10^{-3}$	$2.78 \times 10^{-2}$	
	85L	$2.74 \times 10^{-2}$		$5.72 \times 10^{-3}$		$2.74 \times 10^{-2}$	$5.72 \times 10^{-3}$	$2.78 \times 10^{-2}$	
	100	$2.61 \times 10^{-2}$		$5.16 \times 10^{-3}$		$2.61 \times 10^{-2}$	$5.16 \times 10^{-3}$	$2.24 \times 10^{-2}$	
	120	$2.37 \times 10^{-2}$		$4.72 \times 10^{-3}$		$2.37 \times 10^{-2}$	$4.72 \times 10^{-3}$	$1.96 \times 10^{-2}$	
150	$2.17 \times 10^{-2}$		$4.35 \times 10^{-3}$		$2.17 \times 10^{-2}$	$4.35 \times 10^{-3}$	$1.61 \times 10^{-2}$		
15M2A	$1.65 \times 10^{-1}$		$2.89 \times 10^{-2}$		$1.65 \times 10^{-1}$	$2.89 \times 10^{-2}$	$1.86 \times 10^{-1}$		
20M2A	$1.23 \times 10^{-1}$		$2.23 \times 10^{-2}$		$1.23 \times 10^{-1}$	$2.23 \times 10^{-2}$	$1.34 \times 10^{-1}$		
25M2A	$1.10 \times 10^{-1}$		$1.98 \times 10^{-2}$		$1.10 \times 10^{-1}$	$1.98 \times 10^{-2}$	$1.14 \times 10^{-1}$		

$K_{AR1}$  : Equivalent factor in the  $M_A$  radial direction when one LM block is used

$K_{AL1}$  : Equivalent factor in the  $M_A$  reverse radial direction when one LM block is used

$K_{AR2}$  : Equivalent factor in the  $M_A$  radial direction when two LM blocks are used in close contact with each other

$K_{AL2}$  : Equivalent factor in the  $M_A$  reverse radial direction when two LM blocks are used in close contact with each other

$K_{B1}$  :  $M_B$  Equivalent factor when one LM block is used

$K_{B2}$  :  $M_B$  Equivalent factor when two LM blocks are used in close contact with each other

$K_{CR}$  : Equivalent factor in the  $M_C$  radial direction

$K_{CL}$  : Equivalent factor in the  $M_C$  reverse radial direction

Table3 Equivalent Factors (Models SR, NR-X and NR)

Model No.		Equivalent factor							
		$K_{AR1}$	$K_{AL1}$	$K_{AR2}$	$K_{AL2}$	$K_{B1}$	$K_{B2}$	$K_{CR}$	$K_{CL}$
SR	15W (TB)	$2.08 \times 10^{-1}$	$1.04 \times 10^{-1}$	$3.72 \times 10^{-2}$	$1.86 \times 10^{-2}$	$1.46 \times 10^{-1}$	$2.57 \times 10^{-2}$	$1.69 \times 10^{-1}$	$8.43 \times 10^{-2}$
	15V (SB)	$3.40 \times 10^{-1}$	$1.70 \times 10^{-1}$	$5.00 \times 10^{-2}$	$2.50 \times 10^{-2}$	$2.34 \times 10^{-1}$	$3.37 \times 10^{-2}$	$1.69 \times 10^{-1}$	$8.43 \times 10^{-2}$
	20W (TB)	$1.71 \times 10^{-1}$	$8.56 \times 10^{-2}$	$3.23 \times 10^{-2}$	$1.61 \times 10^{-2}$	$1.20 \times 10^{-1}$	$2.24 \times 10^{-2}$	$1.28 \times 10^{-1}$	$6.40 \times 10^{-2}$
	20V (SB)	$2.69 \times 10^{-1}$	$1.34 \times 10^{-1}$	$4.34 \times 10^{-2}$	$2.17 \times 10^{-2}$	$1.86 \times 10^{-1}$	$2.95 \times 10^{-2}$	$1.28 \times 10^{-1}$	$6.39 \times 10^{-2}$
	25W (TB)	$1.37 \times 10^{-1}$	$6.85 \times 10^{-2}$	$2.57 \times 10^{-2}$	$1.29 \times 10^{-2}$	$9.61 \times 10^{-2}$	$1.78 \times 10^{-2}$	$1.09 \times 10^{-1}$	$5.47 \times 10^{-2}$
	25V (SB)	$2.15 \times 10^{-1}$	$1.08 \times 10^{-1}$	$3.47 \times 10^{-2}$	$1.73 \times 10^{-2}$	$1.49 \times 10^{-1}$	$2.36 \times 10^{-2}$	$1.10 \times 10^{-1}$	$5.48 \times 10^{-2}$
	30W (TB)	$1.14 \times 10^{-1}$	$5.71 \times 10^{-2}$	$2.21 \times 10^{-2}$	$1.10 \times 10^{-2}$	$8.01 \times 10^{-2}$	$1.54 \times 10^{-2}$	$9.16 \times 10^{-2}$	$4.58 \times 10^{-2}$
	30V (SB)	$1.98 \times 10^{-1}$	$9.92 \times 10^{-2}$	$2.98 \times 10^{-2}$	$1.49 \times 10^{-2}$	$1.37 \times 10^{-1}$	$2.01 \times 10^{-2}$	$9.16 \times 10^{-2}$	$4.58 \times 10^{-2}$
	35W (TB)	$1.04 \times 10^{-1}$	$5.21 \times 10^{-2}$	$1.91 \times 10^{-2}$	$9.57 \times 10^{-3}$	$7.30 \times 10^{-2}$	$1.32 \times 10^{-2}$	$7.59 \times 10^{-2}$	$3.80 \times 10^{-2}$
	35V (SB)	$1.70 \times 10^{-1}$	$8.50 \times 10^{-2}$	$2.61 \times 10^{-2}$	$1.31 \times 10^{-2}$	$1.17 \times 10^{-1}$	$1.77 \times 10^{-2}$	$7.59 \times 10^{-2}$	$3.80 \times 10^{-2}$
	45W (TB)	$9.11 \times 10^{-2}$	$4.56 \times 10^{-2}$	$1.69 \times 10^{-2}$	$8.44 \times 10^{-3}$	$6.38 \times 10^{-2}$	$1.17 \times 10^{-2}$	$5.67 \times 10^{-2}$	$2.83 \times 10^{-2}$
	55W (TB)	$6.85 \times 10^{-2}$	$3.42 \times 10^{-2}$	$1.37 \times 10^{-2}$	$6.86 \times 10^{-3}$	$4.80 \times 10^{-2}$	$9.57 \times 10^{-3}$	$5.38 \times 10^{-2}$	$2.69 \times 10^{-2}$
	15MSV	$4.00 \times 10^{-1}$	$2.48 \times 10^{-1}$	$5.89 \times 10^{-2}$	$3.65 \times 10^{-2}$	$3.51 \times 10^{-1}$	$4.98 \times 10^{-2}$	$2.76 \times 10^{-1}$	$1.71 \times 10^{-1}$
	15MSW	$2.43 \times 10^{-1}$	$1.50 \times 10^{-1}$	$4.38 \times 10^{-2}$	$2.72 \times 10^{-2}$	$2.17 \times 10^{-1}$	$3.84 \times 10^{-2}$	$2.74 \times 10^{-1}$	$1.70 \times 10^{-1}$
	20MSV	$3.19 \times 10^{-1}$	$1.97 \times 10^{-1}$	$5.09 \times 10^{-2}$	$3.16 \times 10^{-2}$	$2.77 \times 10^{-1}$	$4.36 \times 10^{-2}$	$2.10 \times 10^{-1}$	$1.30 \times 10^{-1}$
20MSW	$1.99 \times 10^{-1}$	$1.24 \times 10^{-1}$	$3.77 \times 10^{-2}$	$2.34 \times 10^{-2}$	$1.78 \times 10^{-1}$	$3.33 \times 10^{-2}$	$2.09 \times 10^{-1}$	$1.30 \times 10^{-1}$	
NR-X	25	$1.19 \times 10^{-1}$	$7.64 \times 10^{-2}$	$2.24 \times 10^{-2}$	$1.43 \times 10^{-2}$	$7.47 \times 10^{-2}$	$1.41 \times 10^{-2}$	$9.69 \times 10^{-2}$	$6.20 \times 10^{-2}$
	25L	$9.18 \times 10^{-2}$	$5.87 \times 10^{-2}$	$1.85 \times 10^{-2}$	$1.18 \times 10^{-2}$	$5.78 \times 10^{-2}$	$1.17 \times 10^{-2}$	$9.69 \times 10^{-2}$	$6.21 \times 10^{-2}$
	30	$9.95 \times 10^{-2}$	$6.37 \times 10^{-2}$	$1.90 \times 10^{-2}$	$1.21 \times 10^{-2}$	$6.23 \times 10^{-2}$	$1.19 \times 10^{-2}$	$8.55 \times 10^{-2}$	$5.47 \times 10^{-2}$
	30L	$7.65 \times 10^{-2}$	$4.89 \times 10^{-2}$	$1.57 \times 10^{-2}$	$1.00 \times 10^{-2}$	$4.82 \times 10^{-2}$	$9.91 \times 10^{-3}$	$8.55 \times 10^{-2}$	$5.47 \times 10^{-2}$
	35	$9.08 \times 10^{-2}$	$5.81 \times 10^{-2}$	$1.69 \times 10^{-2}$	$1.08 \times 10^{-2}$	$5.67 \times 10^{-2}$	$1.06 \times 10^{-2}$	$7.17 \times 10^{-2}$	$4.59 \times 10^{-2}$
	35L	$6.88 \times 10^{-2}$	$4.40 \times 10^{-2}$	$1.40 \times 10^{-2}$	$8.96 \times 10^{-3}$	$4.32 \times 10^{-2}$	$8.81 \times 10^{-3}$	$7.17 \times 10^{-2}$	$4.59 \times 10^{-2}$
	45	$7.02 \times 10^{-2}$	$4.50 \times 10^{-2}$	$1.35 \times 10^{-2}$	$8.64 \times 10^{-3}$	$4.37 \times 10^{-2}$	$8.39 \times 10^{-3}$	$5.31 \times 10^{-2}$	$3.40 \times 10^{-2}$
	45L	$5.25 \times 10^{-2}$	$3.36 \times 10^{-2}$	$1.11 \times 10^{-2}$	$7.11 \times 10^{-3}$	$3.31 \times 10^{-2}$	$7.05 \times 10^{-3}$	$5.32 \times 10^{-2}$	$3.41 \times 10^{-2}$
	55	$5.92 \times 10^{-2}$	$3.79 \times 10^{-2}$	$1.15 \times 10^{-2}$	$7.36 \times 10^{-3}$	$3.72 \times 10^{-2}$	$7.21 \times 10^{-3}$	$4.66 \times 10^{-2}$	$2.98 \times 10^{-2}$
	55L	$4.66 \times 10^{-2}$	$2.98 \times 10^{-2}$	$9.43 \times 10^{-3}$	$6.02 \times 10^{-3}$	$2.92 \times 10^{-2}$	$5.93 \times 10^{-3}$	$4.65 \times 10^{-2}$	$2.98 \times 10^{-2}$
	65	$5.12 \times 10^{-2}$	$3.28 \times 10^{-2}$	$1.00 \times 10^{-2}$	$6.40 \times 10^{-3}$	$3.21 \times 10^{-2}$	$6.31 \times 10^{-3}$	$3.93 \times 10^{-2}$	$2.52 \times 10^{-2}$
65L	$3.66 \times 10^{-2}$	$2.34 \times 10^{-2}$	$7.73 \times 10^{-3}$	$4.93 \times 10^{-3}$	$2.31 \times 10^{-2}$	$4.89 \times 10^{-3}$	$3.93 \times 10^{-2}$	$2.52 \times 10^{-2}$	
NR	75	$4.21 \times 10^{-2}$	$2.99 \times 10^{-2}$	$8.31 \times 10^{-3}$	$5.90 \times 10^{-3}$	$3.08 \times 10^{-2}$	$6.13 \times 10^{-3}$	$3.16 \times 10^{-2}$	$2.24 \times 10^{-2}$
	75L	$3.14 \times 10^{-2}$	$2.23 \times 10^{-2}$	$6.74 \times 10^{-3}$	$4.78 \times 10^{-3}$	$2.33 \times 10^{-2}$	$5.04 \times 10^{-3}$	$3.16 \times 10^{-2}$	$2.24 \times 10^{-2}$
	85	$3.70 \times 10^{-2}$	$2.62 \times 10^{-2}$	$7.31 \times 10^{-3}$	$5.19 \times 10^{-3}$	$2.71 \times 10^{-2}$	$5.40 \times 10^{-3}$	$2.80 \times 10^{-2}$	$1.99 \times 10^{-2}$
	85L	$2.80 \times 10^{-2}$	$1.99 \times 10^{-2}$	$6.07 \times 10^{-3}$	$4.31 \times 10^{-3}$	$2.08 \times 10^{-2}$	$4.55 \times 10^{-3}$	$2.80 \times 10^{-2}$	$1.99 \times 10^{-2}$
	100	$3.05 \times 10^{-2}$	$2.17 \times 10^{-2}$	$6.20 \times 10^{-3}$	$4.41 \times 10^{-3}$	$2.26 \times 10^{-2}$	$4.63 \times 10^{-3}$	$2.38 \times 10^{-2}$	$1.69 \times 10^{-2}$
	100L	$2.74 \times 10^{-2}$	$1.95 \times 10^{-2}$	$5.46 \times 10^{-3}$	$3.87 \times 10^{-3}$	$2.00 \times 10^{-2}$	$4.00 \times 10^{-3}$	$2.38 \times 10^{-2}$	$1.69 \times 10^{-2}$

$K_{AR1}$  : Equivalent factor in the  $M_A$  radial direction when one LM block is used

$K_{AL1}$  : Equivalent factor in the  $M_A$  reverse radial direction when one LM block is used

$K_{AR2}$  : Equivalent factor in the  $M_A$  radial direction when two LM blocks are used in close contact with each other

$K_{AL2}$  : Equivalent factor in the  $M_A$  reverse radial direction when two LM blocks are used in close contact with each other

$K_{B1}$  :  $M_B$  Equivalent factor when one LM block is used

$K_{B2}$  :  $M_B$  Equivalent factor when two LM blocks are used in close contact with each other

$K_{CR}$  : Equivalent factor in the  $M_C$  radial direction

$K_{CL}$  : Equivalent factor in the  $M_C$  reverse radial direction

Table4 Equivalent Factors (Models NRS-X, NRS, HRW, and RSX)

Model No.		Equivalent factor							
		$K_{AR1}$	$K_{AL1}$	$K_{AR2}$	$K_{AL2}$	$K_{B1}$	$K_{B2}$	$K_{CR}$	$K_{CL}$
NRS-X	25	$1.15 \times 10^{-3}$	$9.66 \times 10^{-2}$	$2.16 \times 10^{-2}$	$1.81 \times 10^{-2}$	$1.06 \times 10^{-1}$	$1.98 \times 10^{-2}$	$9.51 \times 10^{-2}$	$7.99 \times 10^{-2}$
	25L	$8.85 \times 10^{-2}$	$7.44 \times 10^{-2}$	$1.79 \times 10^{-2}$	$1.50 \times 10^{-2}$	$8.14 \times 10^{-2}$	$1.64 \times 10^{-2}$	$9.51 \times 10^{-2}$	$7.99 \times 10^{-2}$
	30	$9.58 \times 10^{-2}$	$8.05 \times 10^{-2}$	$1.83 \times 10^{-2}$	$1.53 \times 10^{-2}$	$8.81 \times 10^{-2}$	$1.68 \times 10^{-2}$	$8.40 \times 10^{-2}$	$7.05 \times 10^{-2}$
	30L	$7.38 \times 10^{-2}$	$6.20 \times 10^{-2}$	$1.51 \times 10^{-2}$	$1.27 \times 10^{-2}$	$6.79 \times 10^{-2}$	$1.39 \times 10^{-2}$	$8.40 \times 10^{-2}$	$7.05 \times 10^{-2}$
	35	$8.73 \times 10^{-2}$	$7.33 \times 10^{-2}$	$1.62 \times 10^{-2}$	$1.36 \times 10^{-2}$	$8.03 \times 10^{-2}$	$1.49 \times 10^{-2}$	$7.04 \times 10^{-2}$	$5.91 \times 10^{-2}$
	35L	$6.63 \times 10^{-2}$	$5.57 \times 10^{-2}$	$1.35 \times 10^{-2}$	$1.13 \times 10^{-2}$	$6.10 \times 10^{-2}$	$1.24 \times 10^{-2}$	$7.04 \times 10^{-2}$	$5.91 \times 10^{-2}$
	45	$6.78 \times 10^{-2}$	$5.69 \times 10^{-2}$	$1.30 \times 10^{-2}$	$1.09 \times 10^{-2}$	$6.23 \times 10^{-2}$	$1.19 \times 10^{-2}$	$5.22 \times 10^{-2}$	$4.39 \times 10^{-2}$
	45L	$5.07 \times 10^{-2}$	$4.26 \times 10^{-2}$	$1.07 \times 10^{-2}$	$8.99 \times 10^{-3}$	$4.66 \times 10^{-2}$	$9.86 \times 10^{-3}$	$5.22 \times 10^{-2}$	$4.39 \times 10^{-2}$
	55	$5.71 \times 10^{-2}$	$4.79 \times 10^{-2}$	$1.10 \times 10^{-2}$	$9.24 \times 10^{-3}$	$5.25 \times 10^{-2}$	$1.01 \times 10^{-2}$	$4.58 \times 10^{-2}$	$3.84 \times 10^{-2}$
	55L	$4.50 \times 10^{-2}$	$3.78 \times 10^{-2}$	$9.14 \times 10^{-3}$	$7.65 \times 10^{-3}$	$4.14 \times 10^{-2}$	$8.39 \times 10^{-3}$	$4.57 \times 10^{-2}$	$3.84 \times 10^{-2}$
	65	$4.93 \times 10^{-2}$	$4.14 \times 10^{-2}$	$9.70 \times 10^{-3}$	$8.15 \times 10^{-3}$	$4.53 \times 10^{-2}$	$8.88 \times 10^{-3}$	$3.86 \times 10^{-2}$	$3.25 \times 10^{-2}$
65L	$3.54 \times 10^{-2}$	$2.97 \times 10^{-2}$	$7.47 \times 10^{-3}$	$6.30 \times 10^{-3}$	$3.25 \times 10^{-2}$	$6.86 \times 10^{-3}$	$3.86 \times 10^{-2}$	$3.25 \times 10^{-2}$	
NRS	75	$4.05 \times 10^{-2}$		$8.01 \times 10^{-3}$		$4.05 \times 10^{-2}$	$8.01 \times 10^{-3}$		$3.20 \times 10^{-2}$
	75L	$3.03 \times 10^{-2}$		$6.50 \times 10^{-3}$		$3.03 \times 10^{-2}$	$6.50 \times 10^{-3}$		$3.20 \times 10^{-2}$
	85	$3.56 \times 10^{-2}$		$7.05 \times 10^{-3}$		$3.56 \times 10^{-2}$	$7.05 \times 10^{-3}$		$2.83 \times 10^{-2}$
	85L	$2.70 \times 10^{-2}$		$5.87 \times 10^{-3}$		$2.70 \times 10^{-2}$	$5.87 \times 10^{-3}$		$2.83 \times 10^{-2}$
	100	$2.93 \times 10^{-2}$		$5.97 \times 10^{-3}$		$2.93 \times 10^{-2}$	$5.97 \times 10^{-3}$		$2.41 \times 10^{-2}$
	100L	$2.65 \times 10^{-2}$		$5.27 \times 10^{-3}$		$2.65 \times 10^{-2}$	$5.27 \times 10^{-3}$		$2.41 \times 10^{-2}$
HRW	12	$2.72 \times 10^{-1}$	$1.93 \times 10^{-1}$	$5.16 \times 10^{-2}$	$3.65 \times 10^{-2}$	$5.47 \times 10^{-1}$	$1.04 \times 10^{-1}$	$1.40 \times 10^{-1}$	$9.92 \times 10^{-2}$
	14	$2.28 \times 10^{-1}$	$1.61 \times 10^{-1}$	$4.16 \times 10^{-2}$	$2.94 \times 10^{-2}$	$4.54 \times 10^{-1}$	$8.28 \times 10^{-2}$	$1.01 \times 10^{-1}$	$7.18 \times 10^{-2}$
	17	$1.96 \times 10^{-1}$		$3.34 \times 10^{-2}$		$1.96 \times 10^{-1}$	$3.34 \times 10^{-2}$		$6.30 \times 10^{-2}$
	21	$1.65 \times 10^{-1}$		$2.90 \times 10^{-2}$		$1.65 \times 10^{-1}$	$2.90 \times 10^{-2}$		$5.89 \times 10^{-2}$
	27	$1.30 \times 10^{-1}$		$2.34 \times 10^{-2}$		$1.30 \times 10^{-1}$	$2.34 \times 10^{-2}$		$5.11 \times 10^{-2}$
	35	$8.69 \times 10^{-2}$		$1.60 \times 10^{-2}$		$8.69 \times 10^{-2}$	$1.60 \times 10^{-2}$		$3.06 \times 10^{-2}$
	50	$6.52 \times 10^{-2}$		$1.22 \times 10^{-2}$		$6.52 \times 10^{-2}$	$1.22 \times 10^{-2}$		$2.35 \times 10^{-2}$
	60	$5.80 \times 10^{-2}$		$1.08 \times 10^{-2}$		$5.80 \times 10^{-2}$	$1.08 \times 10^{-2}$		$1.77 \times 10^{-2}$
RSX	7	$4.72 \times 10^{-1}$		$6.68 \times 10^{-2}$		$4.87 \times 10^{-1}$	$6.88 \times 10^{-2}$		$2.59 \times 10^{-1}$
	9	$3.10 \times 10^{-1}$		$5.28 \times 10^{-2}$		$3.19 \times 10^{-1}$	$5.44 \times 10^{-2}$		$2.17 \times 10^{-1}$
	12	$2.96 \times 10^{-1}$		$4.55 \times 10^{-2}$		$2.96 \times 10^{-1}$	$4.55 \times 10^{-2}$		$1.52 \times 10^{-1}$
	15	$2.34 \times 10^{-1}$		$3.65 \times 10^{-2}$		$2.34 \times 10^{-1}$	$3.65 \times 10^{-2}$		$1.41 \times 10^{-1}$
	7W	$3.10 \times 10^{-1}$		$5.34 \times 10^{-2}$		$3.20 \times 10^{-1}$	$5.50 \times 10^{-2}$		$1.36 \times 10^{-1}$
	9W	$2.31 \times 10^{-1}$		$4.31 \times 10^{-2}$		$2.38 \times 10^{-1}$	$4.43 \times 10^{-2}$		$1.06 \times 10^{-1}$
	12W	$2.10 \times 10^{-1}$		$3.69 \times 10^{-2}$		$2.10 \times 10^{-1}$	$3.69 \times 10^{-2}$		$7.97 \times 10^{-2}$
	15W	$1.66 \times 10^{-1}$		$2.97 \times 10^{-2}$		$1.66 \times 10^{-1}$	$2.97 \times 10^{-2}$		$4.82 \times 10^{-2}$

$K_{AR1}$  : Equivalent factor in the  $M_a$  radial direction when one LM block is used

$K_{AL1}$  : Equivalent factor in the  $M_a$  reverse radial direction when one LM block is used

$K_{AR2}$  : Equivalent factor in the  $M_a$  radial direction when two LM blocks are used in close contact with each other

$K_{AL2}$  : Equivalent factor in the  $M_a$  reverse radial direction when two LM blocks are used in close contact with each other

$K_{B1}$  :  $M_b$  Equivalent factor when one LM block is used

$K_{B2}$  :  $M_b$  Equivalent factor when two LM blocks are used in close contact with each other

$K_{CR}$  : Equivalent factor in the  $M_c$  radial direction

$K_{CL}$  : Equivalent factor in the  $M_c$  reverse radial direction

Table5 Equivalent Factors (Models RSR and HR)

Model No.		Equivalent factor							
		$K_{AR1}$	$K_{AL1}$	$K_{AR2}$	$K_{AL2}$	$K_{B1}$	$K_{B2}$	$K_{CR}$	$K_{CL}$
RSR	2N	$6.81 \times 10^{-1}$		$1.28 \times 10^{-1}$		$6.81 \times 10^{-1}$	$1.28 \times 10^{-1}$	$8.69 \times 10^{-1}$	
	2WN	$5.10 \times 10^{-1}$		$9.32 \times 10^{-2}$		$5.10 \times 10^{-1}$	$9.32 \times 10^{-2}$	$4.54 \times 10^{-1}$	
	3M	$9.20 \times 10^{-1}$		$1.27 \times 10^{-1}$		$9.20 \times 10^{-1}$	$1.27 \times 10^{-1}$	$6.06 \times 10^{-1}$	
	3N	$6.06 \times 10^{-1}$		$1.01 \times 10^{-1}$		$6.06 \times 10^{-1}$	$1.01 \times 10^{-1}$	$6.06 \times 10^{-1}$	
	3W	$7.03 \times 10^{-1}$		$1.06 \times 10^{-1}$		$7.03 \times 10^{-1}$	$1.06 \times 10^{-1}$	$3.17 \times 10^{-1}$	
	3WN	$4.76 \times 10^{-1}$		$8.27 \times 10^{-2}$		$4.76 \times 10^{-1}$	$8.27 \times 10^{-2}$	$3.17 \times 10^{-1}$	
	9M1K	$3.06 \times 10^{-1}$		$5.19 \times 10^{-2}$		$3.06 \times 10^{-1}$	$5.19 \times 10^{-2}$	$2.15 \times 10^{-1}$	
	9M1N	$2.15 \times 10^{-1}$		$4.08 \times 10^{-2}$		$2.15 \times 10^{-1}$	$4.08 \times 10^{-2}$	$2.15 \times 10^{-1}$	
	12M1V	$3.52 \times 10^{-1}$	$2.46 \times 10^{-1}$	$5.37 \times 10^{-2}$	$3.76 \times 10^{-2}$	$2.81 \times 10^{-1}$	$4.21 \times 10^{-2}$	$2.09 \times 10^{-1}$	$1.46 \times 10^{-1}$
	12M1N	$2.30 \times 10^{-1}$	$1.61 \times 10^{-1}$	$4.08 \times 10^{-2}$	$2.85 \times 10^{-2}$	$1.85 \times 10^{-1}$	$3.25 \times 10^{-2}$	$2.09 \times 10^{-1}$	$1.46 \times 10^{-1}$
	14WV	$2.10 \times 10^{-1}$	$1.47 \times 10^{-1}$	$3.89 \times 10^{-2}$	$2.73 \times 10^{-2}$	$1.69 \times 10^{-1}$	$3.10 \times 10^{-2}$	$8.22 \times 10^{-2}$	$5.75 \times 10^{-2}$
	15M1V	$2.77 \times 10^{-1}$	$1.94 \times 10^{-1}$	$4.38 \times 10^{-2}$	$3.07 \times 10^{-2}$	$2.21 \times 10^{-1}$	$3.45 \times 10^{-2}$	$1.69 \times 10^{-1}$	$1.18 \times 10^{-1}$
	15M1N	$1.70 \times 10^{-1}$	$1.19 \times 10^{-1}$	$3.24 \times 10^{-2}$	$2.27 \times 10^{-2}$	$1.37 \times 10^{-1}$	$2.59 \times 10^{-2}$	$1.69 \times 10^{-1}$	$1.18 \times 10^{-1}$
	15M1WV	$1.95 \times 10^{-1}$	$1.36 \times 10^{-1}$	$3.52 \times 10^{-2}$	$2.46 \times 10^{-2}$	$1.56 \times 10^{-1}$	$2.80 \times 10^{-2}$	$5.83 \times 10^{-2}$	$4.08 \times 10^{-2}$
	15M1WN	$1.34 \times 10^{-1}$	$9.41 \times 10^{-2}$	$2.68 \times 10^{-2}$	$1.88 \times 10^{-2}$	$1.09 \times 10^{-1}$	$2.16 \times 10^{-2}$	$5.82 \times 10^{-2}$	$4.08 \times 10^{-2}$
	20M1V	$1.68 \times 10^{-1}$	$1.18 \times 10^{-1}$	$2.92 \times 10^{-2}$	$2.04 \times 10^{-2}$	$1.35 \times 10^{-1}$	$2.32 \times 10^{-2}$	$1.30 \times 10^{-1}$	$9.13 \times 10^{-2}$
20M1N	$1.20 \times 10^{-1}$	$8.39 \times 10^{-2}$	$2.30 \times 10^{-2}$	$1.61 \times 10^{-2}$	$9.68 \times 10^{-2}$	$1.84 \times 10^{-2}$	$1.30 \times 10^{-1}$	$9.13 \times 10^{-2}$	
HR	918	$2.65 \times 10^{-1}$		$3.58 \times 10^{-2}$		$2.65 \times 10^{-1}$	$3.58 \times 10^{-2}$	—	—
	1123	$2.08 \times 10^{-1}$		$3.17 \times 10^{-2}$		$2.08 \times 10^{-1}$	$3.17 \times 10^{-2}$	—	—
	1530	$1.56 \times 10^{-1}$		$2.39 \times 10^{-2}$		$1.56 \times 10^{-1}$	$2.39 \times 10^{-2}$	—	—
	2042	$1.11 \times 10^{-1}$		$1.80 \times 10^{-2}$		$1.11 \times 10^{-1}$	$1.80 \times 10^{-2}$	—	—
	2042T	$8.64 \times 10^{-2}$		$1.53 \times 10^{-2}$		$8.64 \times 10^{-2}$	$1.53 \times 10^{-2}$	—	—
	2555	$7.79 \times 10^{-2}$		$1.38 \times 10^{-2}$		$7.79 \times 10^{-2}$	$1.38 \times 10^{-2}$	—	—
	2555T	$6.13 \times 10^{-2}$		$1.17 \times 10^{-2}$		$6.13 \times 10^{-2}$	$1.17 \times 10^{-2}$	—	—
	3065	$6.92 \times 10^{-2}$		$1.15 \times 10^{-2}$		$6.92 \times 10^{-2}$	$1.15 \times 10^{-2}$	—	—
	3065T	$5.45 \times 10^{-2}$		$9.92 \times 10^{-3}$		$5.45 \times 10^{-2}$	$9.92 \times 10^{-3}$	—	—
	3575	$6.23 \times 10^{-2}$		$1.08 \times 10^{-2}$		$6.23 \times 10^{-2}$	$1.08 \times 10^{-2}$	—	—
	3575T	$4.90 \times 10^{-2}$		$9.42 \times 10^{-3}$		$4.90 \times 10^{-2}$	$9.42 \times 10^{-3}$	—	—
	4085	$5.19 \times 10^{-2}$		$9.53 \times 10^{-3}$		$5.19 \times 10^{-2}$	$9.53 \times 10^{-3}$	—	—
	4085T	$4.09 \times 10^{-2}$		$7.97 \times 10^{-3}$		$4.09 \times 10^{-2}$	$7.97 \times 10^{-3}$	—	—
	50105	$4.15 \times 10^{-2}$		$7.40 \times 10^{-3}$		$4.15 \times 10^{-2}$	$7.40 \times 10^{-3}$	—	—
	50105T	$3.27 \times 10^{-2}$		$6.26 \times 10^{-3}$		$3.27 \times 10^{-2}$	$6.26 \times 10^{-3}$	—	—
	60125	$2.88 \times 10^{-2}$		$5.18 \times 10^{-3}$		$2.88 \times 10^{-2}$	$5.18 \times 10^{-3}$	—	—

$K_{AR1}$  : Equivalent factor in the  $M_a$  radial direction when one LM block is used

$K_{AL1}$  : Equivalent factor in the  $M_a$  reverse radial direction when one LM block is used

$K_{AR2}$  : Equivalent factor in the  $M_a$  radial direction when two LM blocks are used in close contact with each other

$K_{AL2}$  : Equivalent factor in the  $M_a$  reverse radial direction when two LM blocks are used in close contact with each other

$K_{B1}$  :  $M_b$  Equivalent factor when one LM block is used

$K_{B2}$  :  $M_b$  Equivalent factor when two LM blocks are used in close contact with each other

$K_{CR}$  : Equivalent factor in the  $M_c$  radial direction

$K_{CL}$  : Equivalent factor in the  $M_c$  reverse radial direction

Table6 Equivalent Factors (Models GSR, CSR, MX, JR, NSR, SRG, SRN, and SRW)

Model No.		Equivalent factor							
		$K_{AR1}$	$K_{AL1}$	$K_{AR2}$	$K_{AL2}$	$K_{B1}$	$K_{B2}$	$K_{GR}$	$K_{CL}$
GSR	15T	$1.61 \times 10^{-1}$	$1.44 \times 10^{-1}$	$2.88 \times 10^{-2}$	$2.59 \times 10^{-2}$	$1.68 \times 10^{-1}$	$3.01 \times 10^{-2}$	—	—
	15V	$2.21 \times 10^{-1}$	$1.99 \times 10^{-1}$	$3.54 \times 10^{-2}$	$3.18 \times 10^{-2}$	$2.30 \times 10^{-1}$	$3.68 \times 10^{-2}$	—	—
	20T	$1.28 \times 10^{-1}$	$1.16 \times 10^{-1}$	$2.34 \times 10^{-2}$	$2.10 \times 10^{-2}$	$1.34 \times 10^{-1}$	$2.44 \times 10^{-2}$	—	—
	20V	$1.77 \times 10^{-1}$	$1.59 \times 10^{-1}$	$2.87 \times 10^{-2}$	$2.58 \times 10^{-2}$	$1.84 \times 10^{-1}$	$2.99 \times 10^{-2}$	—	—
	25T	$1.07 \times 10^{-1}$	$9.63 \times 10^{-2}$	$1.97 \times 10^{-2}$	$1.77 \times 10^{-2}$	$1.12 \times 10^{-1}$	$2.06 \times 10^{-2}$	—	—
	25V	$1.47 \times 10^{-1}$	$1.33 \times 10^{-1}$	$2.42 \times 10^{-2}$	$2.18 \times 10^{-2}$	$1.53 \times 10^{-1}$	$2.52 \times 10^{-2}$	—	—
	30T	$9.17 \times 10^{-2}$	$8.26 \times 10^{-2}$	$1.68 \times 10^{-2}$	$1.51 \times 10^{-2}$	$9.59 \times 10^{-2}$	$1.76 \times 10^{-2}$	—	—
	35T	$8.03 \times 10^{-2}$	$7.22 \times 10^{-2}$	$1.48 \times 10^{-2}$	$1.33 \times 10^{-2}$	$8.39 \times 10^{-2}$	$1.55 \times 10^{-2}$	—	—
CSR	15	$1.66 \times 10^{-1}$	—	—	—	$1.66 \times 10^{-1}$	—	$1.57 \times 10^{-1}$	—
	20S	$1.26 \times 10^{-1}$	—	—	—	$1.26 \times 10^{-1}$	—	$1.17 \times 10^{-1}$	—
	20	$9.88 \times 10^{-2}$	—	—	—	$9.88 \times 10^{-2}$	—	$1.17 \times 10^{-1}$	—
	25S	$1.12 \times 10^{-1}$	—	—	—	$1.12 \times 10^{-1}$	—	$9.96 \times 10^{-2}$	—
	25	$8.23 \times 10^{-2}$	—	—	—	$8.23 \times 10^{-2}$	—	$9.96 \times 10^{-2}$	—
	30S	$8.97 \times 10^{-2}$	—	—	—	$8.97 \times 10^{-2}$	—	$8.24 \times 10^{-2}$	—
	30	$7.05 \times 10^{-2}$	—	—	—	$7.05 \times 10^{-2}$	—	$8.24 \times 10^{-2}$	—
	35	$6.17 \times 10^{-2}$	—	—	—	$6.17 \times 10^{-2}$	—	$6.69 \times 10^{-2}$	—
MX	5	$4.27 \times 10^{-1}$	—	$7.01 \times 10^{-2}$	—	$4.27 \times 10^{-1}$	$7.01 \times 10^{-2}$	$3.85 \times 10^{-1}$	—
	7W	$2.18 \times 10^{-1}$	—	$4.13 \times 10^{-2}$	—	$2.18 \times 10^{-1}$	$4.13 \times 10^{-2}$	$1.40 \times 10^{-1}$	—
JR	25	$1.12 \times 10^{-1}$	—	$2.02 \times 10^{-2}$	—	$1.12 \times 10^{-1}$	$2.02 \times 10^{-2}$	$9.96 \times 10^{-2}$	—
	35	$7.85 \times 10^{-2}$	—	$1.56 \times 10^{-2}$	—	$7.85 \times 10^{-2}$	$1.56 \times 10^{-2}$	$6.69 \times 10^{-2}$	—
	45	$6.73 \times 10^{-2}$	—	$1.21 \times 10^{-2}$	—	$6.73 \times 10^{-2}$	$1.21 \times 10^{-2}$	$5.20 \times 10^{-2}$	—
	55	$5.61 \times 10^{-2}$	—	$1.03 \times 10^{-2}$	—	$5.61 \times 10^{-2}$	$1.03 \times 10^{-2}$	$4.26 \times 10^{-2}$	—
NSR	20TBC	$2.29 \times 10^{-1}$	—	$2.68 \times 10^{-2}$	—	$2.29 \times 10^{-1}$	$2.68 \times 10^{-2}$	—	—
	25TBC	$2.01 \times 10^{-1}$	—	$2.27 \times 10^{-2}$	—	$2.01 \times 10^{-1}$	$2.27 \times 10^{-2}$	—	—
	30TBC	$1.85 \times 10^{-1}$	—	$1.93 \times 10^{-2}$	—	$1.85 \times 10^{-1}$	$1.93 \times 10^{-2}$	—	—
	40TBC	$1.39 \times 10^{-1}$	—	$1.60 \times 10^{-2}$	—	$1.39 \times 10^{-1}$	$1.60 \times 10^{-2}$	—	—
	50TBC	$1.24 \times 10^{-1}$	—	$1.42 \times 10^{-2}$	—	$1.24 \times 10^{-1}$	$1.42 \times 10^{-2}$	—	—
	70TBC	$9.99 \times 10^{-2}$	—	$1.15 \times 10^{-2}$	—	$9.99 \times 10^{-2}$	$1.15 \times 10^{-2}$	—	—

Model No.		Equivalent factor							
		$K_{AR1}$	$K_{AL1}$	$K_{AR2}$	$K_{AL2}$	$K_{B1}$	$K_{B2}$	$K_{CR}$	$K_{CL}$
SRG	15	$1.23 \times 10^{-1}$		$2.07 \times 10^{-2}$		$1.23 \times 10^{-1}$	$2.07 \times 10^{-2}$		$1.04 \times 10^{-1}$
	20	$9.60 \times 10^{-2}$		$1.71 \times 10^{-2}$		$9.60 \times 10^{-2}$	$1.71 \times 10^{-2}$		$8.00 \times 10^{-2}$
	20L	$7.21 \times 10^{-2}$		$1.42 \times 10^{-2}$		$7.21 \times 10^{-2}$	$1.42 \times 10^{-2}$		$8.00 \times 10^{-2}$
	25	$8.96 \times 10^{-2}$		$1.55 \times 10^{-2}$		$8.96 \times 10^{-2}$	$1.55 \times 10^{-2}$		$7.23 \times 10^{-2}$
	25L	$6.99 \times 10^{-2}$		$1.31 \times 10^{-2}$		$6.99 \times 10^{-2}$	$1.31 \times 10^{-2}$		$7.23 \times 10^{-2}$
	30	$8.06 \times 10^{-2}$		$1.33 \times 10^{-2}$		$8.06 \times 10^{-2}$	$1.33 \times 10^{-2}$		$5.61 \times 10^{-2}$
	30L	$6.12 \times 10^{-2}$		$1.11 \times 10^{-2}$		$6.12 \times 10^{-2}$	$1.11 \times 10^{-2}$		$5.61 \times 10^{-2}$
	35	$7.14 \times 10^{-2}$		$1.18 \times 10^{-2}$		$7.14 \times 10^{-2}$	$1.18 \times 10^{-2}$		$4.98 \times 10^{-2}$
	35L	$5.26 \times 10^{-2}$		$9.67 \times 10^{-3}$		$5.26 \times 10^{-2}$	$9.67 \times 10^{-3}$		$4.98 \times 10^{-2}$
	35SL	$4.40 \times 10^{-2}$		$8.34 \times 10^{-3}$		$4.40 \times 10^{-2}$	$8.34 \times 10^{-3}$		$4.98 \times 10^{-2}$
	45	$5.49 \times 10^{-2}$		$9.58 \times 10^{-3}$		$5.49 \times 10^{-2}$	$9.58 \times 10^{-3}$		$3.85 \times 10^{-2}$
	45L	$4.18 \times 10^{-2}$		$7.93 \times 10^{-3}$		$4.18 \times 10^{-2}$	$7.93 \times 10^{-3}$		$3.85 \times 10^{-2}$
	45SL	$3.28 \times 10^{-2}$		$6.56 \times 10^{-3}$		$3.28 \times 10^{-2}$	$6.56 \times 10^{-3}$		$3.85 \times 10^{-2}$
	55	$4.56 \times 10^{-2}$		$8.04 \times 10^{-3}$		$4.56 \times 10^{-2}$	$8.04 \times 10^{-3}$		$3.25 \times 10^{-2}$
	55L	$3.37 \times 10^{-2}$		$6.42 \times 10^{-3}$		$3.37 \times 10^{-2}$	$6.42 \times 10^{-3}$		$3.25 \times 10^{-2}$
	55SL	$2.56 \times 10^{-2}$		$5.22 \times 10^{-3}$		$2.56 \times 10^{-2}$	$5.22 \times 10^{-3}$		$3.25 \times 10^{-2}$
	65	$3.54 \times 10^{-2}$		$6.06 \times 10^{-3}$		$3.54 \times 10^{-2}$	$6.06 \times 10^{-3}$		$2.70 \times 10^{-2}$
	65L	$2.63 \times 10^{-2}$		$4.97 \times 10^{-3}$		$2.63 \times 10^{-2}$	$4.97 \times 10^{-3}$		$2.70 \times 10^{-2}$
	65SL	$1.97 \times 10^{-2}$		$4.01 \times 10^{-3}$		$1.97 \times 10^{-2}$	$4.01 \times 10^{-3}$		$2.70 \times 10^{-2}$
	85LC	$2.19 \times 10^{-2}$		$4.15 \times 10^{-3}$		$2.19 \times 10^{-2}$	$4.15 \times 10^{-3}$		$1.91 \times 10^{-2}$
100LC	$1.95 \times 10^{-2}$		$3.67 \times 10^{-3}$		$1.95 \times 10^{-2}$	$3.67 \times 10^{-3}$		$1.62 \times 10^{-2}$	
SRN	35	$7.14 \times 10^{-2}$		$1.18 \times 10^{-2}$		$7.14 \times 10^{-2}$	$1.18 \times 10^{-2}$		$4.98 \times 10^{-2}$
	35L	$5.26 \times 10^{-2}$		$9.67 \times 10^{-3}$		$5.26 \times 10^{-2}$	$9.67 \times 10^{-3}$		$4.98 \times 10^{-2}$
	35SL	$4.40 \times 10^{-2}$		$8.34 \times 10^{-3}$		$4.40 \times 10^{-2}$	$8.34 \times 10^{-3}$		$4.98 \times 10^{-2}$
	45	$5.49 \times 10^{-2}$		$9.58 \times 10^{-3}$		$5.49 \times 10^{-2}$	$9.58 \times 10^{-3}$		$3.85 \times 10^{-2}$
	45L	$4.18 \times 10^{-2}$		$7.93 \times 10^{-3}$		$4.18 \times 10^{-2}$	$7.93 \times 10^{-3}$		$3.85 \times 10^{-2}$
	45SL	$3.28 \times 10^{-2}$		$6.56 \times 10^{-3}$		$3.28 \times 10^{-2}$	$6.56 \times 10^{-3}$		$3.85 \times 10^{-2}$
	55	$4.56 \times 10^{-2}$		$8.04 \times 10^{-3}$		$4.56 \times 10^{-2}$	$8.04 \times 10^{-3}$		$3.25 \times 10^{-2}$
	55L	$3.37 \times 10^{-2}$		$6.42 \times 10^{-3}$		$3.37 \times 10^{-2}$	$6.42 \times 10^{-3}$		$3.25 \times 10^{-2}$
	55SL	$2.56 \times 10^{-2}$		$5.22 \times 10^{-3}$		$2.56 \times 10^{-2}$	$5.22 \times 10^{-3}$		$3.25 \times 10^{-2}$
	65	$3.54 \times 10^{-2}$		$6.06 \times 10^{-3}$		$3.54 \times 10^{-2}$	$6.06 \times 10^{-3}$		$2.70 \times 10^{-2}$
	65L	$2.63 \times 10^{-2}$		$4.97 \times 10^{-3}$		$2.63 \times 10^{-2}$	$4.97 \times 10^{-3}$		$2.70 \times 10^{-2}$
	65SL	$1.97 \times 10^{-2}$		$4.01 \times 10^{-3}$		$1.97 \times 10^{-2}$	$4.01 \times 10^{-3}$		$2.70 \times 10^{-2}$
SRW	70	$4.18 \times 10^{-2}$		$7.93 \times 10^{-3}$		$4.18 \times 10^{-2}$	$7.93 \times 10^{-3}$		$2.52 \times 10^{-2}$
	85	$3.37 \times 10^{-2}$		$6.42 \times 10^{-3}$		$3.37 \times 10^{-2}$	$6.42 \times 10^{-3}$		$2.09 \times 10^{-2}$
	100	$2.63 \times 10^{-2}$		$4.97 \times 10^{-3}$		$2.63 \times 10^{-2}$	$4.97 \times 10^{-3}$		$1.77 \times 10^{-2}$
	130	$2.19 \times 10^{-2}$		$4.15 \times 10^{-3}$		$2.19 \times 10^{-2}$	$4.15 \times 10^{-3}$		$1.33 \times 10^{-2}$
	150	$1.95 \times 10^{-2}$		$3.67 \times 10^{-3}$		$1.95 \times 10^{-2}$	$3.67 \times 10^{-3}$		$1.15 \times 10^{-2}$

$K_{AR1}$  : Equivalent factor in the  $M_A$  radial direction when one LM block is used

$K_{AL1}$  : Equivalent factor in the  $M_A$  reverse radial direction when one LM block is used

$K_{AR2}$  : Equivalent factor in the  $M_A$  radial direction when two

LM blocks are used in close contact with each other

$K_{AL2}$  : Equivalent factor in the  $M_A$  reverse radial direction when two LM blocks are used in close contact with each other

$K_{B1}$  :  $M_B$  Equivalent factor when one LM block is used

$K_{B2}$  :  $M_B$  Equivalent factor when two LM blocks are used in close contact with each other

$K_{CR}$  : Equivalent factor in the  $M_C$  radial direction

$K_{CL}$  : Equivalent factor in the  $M_C$  reverse radial direction

### [Double-axis Use]

#### ● Setting Conditions

Set the conditions needed to calculate the LM system's applied load and service life in hours.

The conditions consist of the following items.

- (1) Mass:  $m$  (kg)
- (2) Direction of the working load
- (3) Position of the working point (e.g., center of gravity):  $l_2, l_3, h_1$ (mm)
- (4) Thrust position:  $l_4, h_2$ (mm)
- (5) LM system arrangement:  $l_0, l_1$ (mm)  
(No. of units and axes)
- (6) Velocity diagram  
Speed:  $V$  (mm/s)  
Time constant:  $t_n$  (s)  
Acceleration:  $\alpha_n$ (mm/s<sup>2</sup>)

$$(\alpha_n = \frac{V}{t_n})$$

- (7) Duty cycle  
Number of reciprocations per minute:  $N_i$ (min<sup>-1</sup>)
- (8) Stroke length:  $l_s$ (mm)
- (9) Average speed:  $V_m$ (m/s)
- (10) Required service life in hours:  $L_h$ (h)

Gravitational acceleration  $g=9.8$  (m/s<sup>2</sup>)

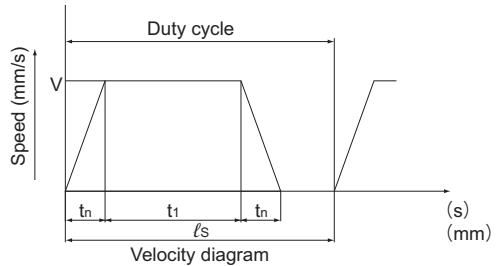
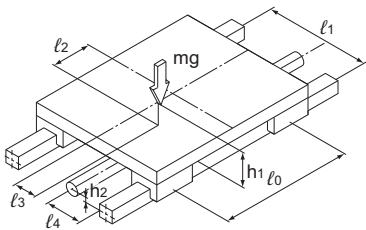


Fig.6 Condition



### ● Applied Load Equation

The load applied to the LM Guide varies with the external force, such as the position of the gravity center of an object, thrust position, inertia generated from acceleration/deceleration during start or stop, and cutting force.

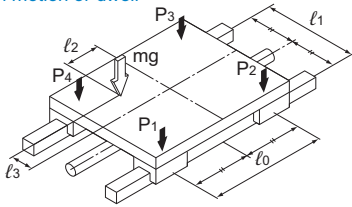
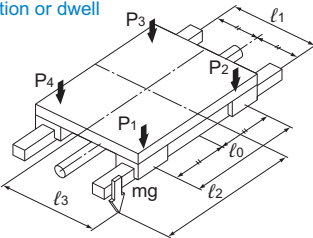
In selecting an LM Guide, it is necessary to obtain the value of the applied load while taking into account these conditions.

Calculate the load applied to the LM Guide in each of the examples 1 to 10 shown below.

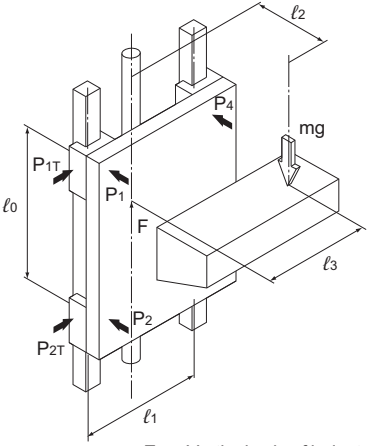
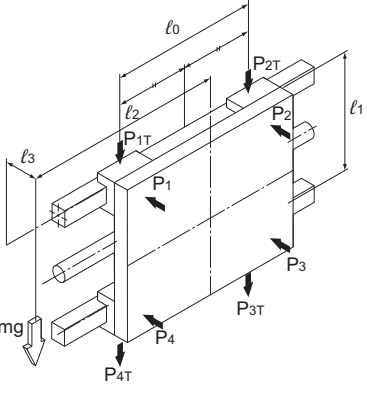
m	: Mass	(kg)
$\ell_n$	: Distance	(mm)
$F_n$	: External force	(N)
$P_n$	: Applied load (radial/reverse radial direction)	(N)
$P_{nT}$	: Applied load (lateral directions)	(N)
g	: Gravitational acceleration	(m/s <sup>2</sup> )
	(g = 9.8m/s <sup>2</sup> )	
V	: Speed	(m/s)
$t_n$	: Time constant	(s)
$\alpha_n$	: Acceleration	(m/s <sup>2</sup> )

$$(\alpha_n = \frac{V}{t_n})$$

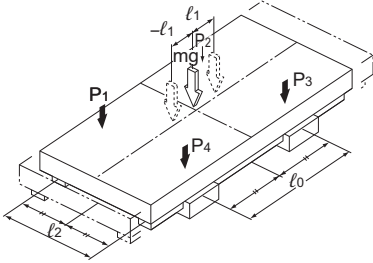
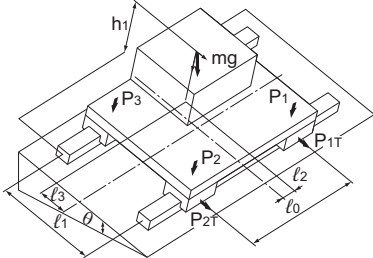
### [Example]

	Condition	Applied Load Equation
1	Horizontal mount (with the block traveling) Uniform motion or dwell 	$P_1 = \frac{mg}{4} + \frac{mg \cdot \ell_2}{2 \cdot \ell_0} - \frac{mg \cdot \ell_3}{2 \cdot \ell_1}$ $P_2 = \frac{mg}{4} - \frac{mg \cdot \ell_2}{2 \cdot \ell_0} - \frac{mg \cdot \ell_3}{2 \cdot \ell_1}$ $P_3 = \frac{mg}{4} - \frac{mg \cdot \ell_2}{2 \cdot \ell_0} + \frac{mg \cdot \ell_3}{2 \cdot \ell_1}$ $P_4 = \frac{mg}{4} + \frac{mg \cdot \ell_2}{2 \cdot \ell_0} + \frac{mg \cdot \ell_3}{2 \cdot \ell_1}$
2	Horizontal mount, overhung (with the block traveling) Uniform motion or dwell 	$P_1 = \frac{mg}{4} + \frac{mg \cdot \ell_2}{2 \cdot \ell_0} + \frac{mg \cdot \ell_3}{2 \cdot \ell_1}$ $P_2 = \frac{mg}{4} - \frac{mg \cdot \ell_2}{2 \cdot \ell_0} + \frac{mg \cdot \ell_3}{2 \cdot \ell_1}$ $P_3 = \frac{mg}{4} - \frac{mg \cdot \ell_2}{2 \cdot \ell_0} - \frac{mg \cdot \ell_3}{2 \cdot \ell_1}$ $P_4 = \frac{mg}{4} + \frac{mg \cdot \ell_2}{2 \cdot \ell_0} - \frac{mg \cdot \ell_3}{2 \cdot \ell_1}$

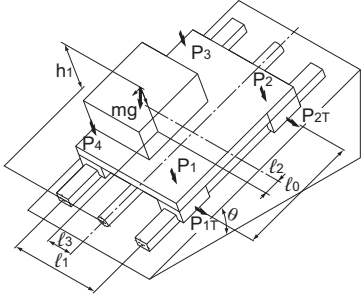
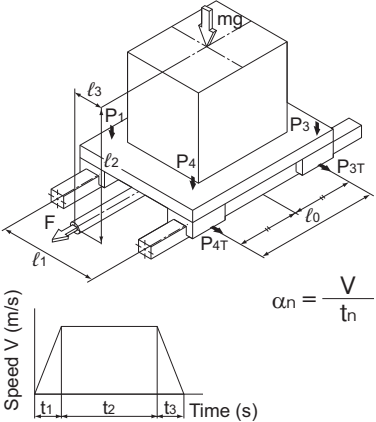
Note) Load is positive in the direction of the arrow.

	Condition	Applied Load Equation
3	<p><b>Vertical mount</b> <b>Uniform motion or dwell</b></p>  <p>E.g.: Vertical axis of industrial robot, automatic coating machine, lifter</p>	$P_1 = P_4 = - \frac{mg \cdot l_2}{2 \cdot l_0}$ $P_2 = P_3 = \frac{mg \cdot l_2}{2 \cdot l_0}$ $P_{1T} = P_{4T} = \frac{mg \cdot l_3}{2 \cdot l_0}$ $P_{2T} = P_{3T} = - \frac{mg \cdot l_3}{2 \cdot l_0}$
4	<p><b>Wall mount</b> <b>Uniform motion or dwell</b></p>  <p>E.g.: Travel axis of cross-rail loader</p>	$P_1 = P_2 = - \frac{mg \cdot l_3}{2 \cdot l_1}$ $P_3 = P_4 = \frac{mg \cdot l_3}{2 \cdot l_1}$ $P_{1T} = P_{4T} = \frac{mg}{4} + \frac{mg \cdot l_2}{2 \cdot l_0}$ $P_{2T} = P_{3T} = \frac{mg}{4} - \frac{mg \cdot l_2}{2 \cdot l_0}$

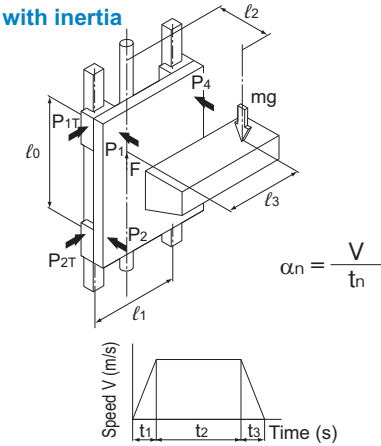
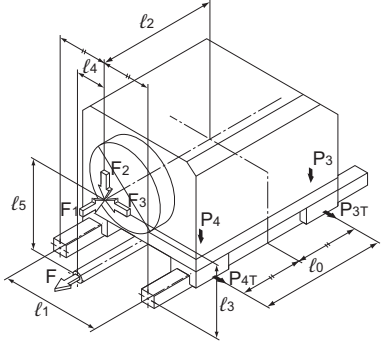
Note) Load is positive in the direction of the arrow.

	Condition	Applied Load Equation
5	<p><b>With the LM rails movable</b> <b>Horizontal mount</b></p>  <p>E.g.: XY table sliding fork</p>	$P_1 \text{ to } P_4 (\text{max}) = \frac{mg}{4} + \frac{mg \cdot l_1}{2 \cdot l_0}$ $P_1 \text{ to } P_4 (\text{min}) = \frac{mg}{4} - \frac{mg \cdot l_1}{2 \cdot l_0}$
6	<p><b>Laterally tilt mount</b></p>  <p>E.g.: NC lathe Carriage</p>	$P_1 = + \frac{mg \cdot \cos\theta}{4} + \frac{mg \cdot \cos\theta \cdot l_2}{2 \cdot l_0}$ $- \frac{mg \cdot \cos\theta \cdot l_3}{2 \cdot l_1} + \frac{mg \cdot \sin\theta \cdot h_1}{2 \cdot l_1}$ $P_{1T} = \frac{mg \cdot \sin\theta}{4} + \frac{mg \cdot \sin\theta \cdot l_2}{2 \cdot l_0}$ $P_2 = + \frac{mg \cdot \cos\theta}{4} - \frac{mg \cdot \cos\theta \cdot l_2}{2 \cdot l_0}$ $- \frac{mg \cdot \cos\theta \cdot l_3}{2 \cdot l_1} + \frac{mg \cdot \sin\theta \cdot h_1}{2 \cdot l_1}$ $P_{2T} = \frac{mg \cdot \sin\theta}{4} - \frac{mg \cdot \sin\theta \cdot l_2}{2 \cdot l_0}$ $P_3 = + \frac{mg \cdot \cos\theta}{4} - \frac{mg \cdot \cos\theta \cdot l_2}{2 \cdot l_0}$ $+ \frac{mg \cdot \cos\theta \cdot l_3}{2 \cdot l_1} - \frac{mg \cdot \sin\theta \cdot h_1}{2 \cdot l_1}$ $P_{3T} = \frac{mg \cdot \sin\theta}{4} - \frac{mg \cdot \sin\theta \cdot l_2}{2 \cdot l_0}$ $P_4 = + \frac{mg \cdot \cos\theta}{4} + \frac{mg \cdot \cos\theta \cdot l_2}{2 \cdot l_0}$ $+ \frac{mg \cdot \cos\theta \cdot l_3}{2 \cdot l_1} - \frac{mg \cdot \sin\theta \cdot h_1}{2 \cdot l_1}$ $P_{4T} = \frac{mg \cdot \sin\theta}{4} + \frac{mg \cdot \sin\theta \cdot l_2}{2 \cdot l_0}$

Note) Load is positive in the direction of the arrow.

	Condition	Applied Load Equation
7	<p><b>Longitudinally tilt mount</b></p>  <p>E.g.: NC lathe Tool rest</p>	$P_1 = + \frac{mg \cdot \cos\theta}{4} + \frac{mg \cdot \cos\theta \cdot l_2}{2 \cdot l_0}$ $- \frac{mg \cdot \cos\theta \cdot l_3}{2 \cdot l_1} + \frac{mg \cdot \sin\theta \cdot h_1}{2 \cdot l_0}$ $P_{1T} = + \frac{mg \cdot \sin\theta \cdot l_3}{2 \cdot l_0}$ $P_2 = + \frac{mg \cdot \cos\theta}{4} - \frac{mg \cdot \cos\theta \cdot l_2}{2 \cdot l_0}$ $- \frac{mg \cdot \cos\theta \cdot l_3}{2 \cdot l_1} - \frac{mg \cdot \sin\theta \cdot h_1}{2 \cdot l_0}$ $P_{2T} = - \frac{mg \cdot \sin\theta \cdot l_3}{2 \cdot l_0}$ $P_3 = + \frac{mg \cdot \cos\theta}{4} - \frac{mg \cdot \cos\theta \cdot l_2}{2 \cdot l_0}$ $+ \frac{mg \cdot \cos\theta \cdot l_3}{2 \cdot l_1} - \frac{mg \cdot \sin\theta \cdot h_1}{2 \cdot l_0}$ $P_{3T} = - \frac{mg \cdot \sin\theta \cdot l_3}{2 \cdot l_0}$ $P_4 = + \frac{mg \cdot \cos\theta}{4} + \frac{mg \cdot \cos\theta \cdot l_2}{2 \cdot l_0}$ $+ \frac{mg \cdot \cos\theta \cdot l_3}{2 \cdot l_1} + \frac{mg \cdot \sin\theta \cdot h_1}{2 \cdot l_0}$ $P_{4T} = + \frac{mg \cdot \sin\theta \cdot l_3}{2 \cdot l_0}$
8	<p><b>Horizontal mount with inertia</b></p>  <p>E.g.: Conveyance truck</p>	<p>During acceleration</p> $P_1 = P_4 = \frac{mg}{4} - \frac{m \cdot \alpha_1 \cdot l_2}{2 \cdot l_0}$ $P_2 = P_3 = \frac{mg}{4} + \frac{m \cdot \alpha_1 \cdot l_2}{2 \cdot l_0}$ $P_{1T} = P_{4T} = \frac{m \cdot \alpha_1 \cdot l_3}{2 \cdot l_0}$ $P_{2T} = P_{3T} = - \frac{m \cdot \alpha_1 \cdot l_3}{2 \cdot l_0}$ <p>During uniform motion</p> $P_1 \text{ to } P_4 = \frac{mg}{4}$ <p>During deceleration</p> $P_1 = P_4 = \frac{mg}{4} + \frac{m \cdot \alpha_3 \cdot l_2}{2 \cdot l_0}$ $P_2 = P_3 = \frac{mg}{4} - \frac{m \cdot \alpha_3 \cdot l_2}{2 \cdot l_0}$ $P_{1T} = P_{4T} = - \frac{m \cdot \alpha_3 \cdot l_3}{2 \cdot l_0}$ $P_{2T} = P_{3T} = \frac{m \cdot \alpha_3 \cdot l_3}{2 \cdot l_0}$

Note) Load is positive in the direction of the arrow.

	Condition	Applied Load Equation
9	<p><b>Vertical mount with inertia</b></p>  <p style="text-align: center;"><math>\alpha_n = \frac{V}{t_n}</math></p> <p style="text-align: center;">Velocity diagram E.g.: Conveyance lift</p>	<p>During acceleration</p> $P_1 = P_4 = - \frac{m(g + \alpha_1) l_2}{2 \cdot l_0}$ $P_2 = P_3 = \frac{m(g + \alpha_1) l_2}{2 \cdot l_0}$ $P_{1T} = P_{4T} = \frac{m(g + \alpha_1) l_3}{2 \cdot l_0}$ $P_{2T} = P_{3T} = - \frac{m(g + \alpha_1) l_3}{2 \cdot l_0}$ <p>During uniform motion</p> $P_1 = P_4 = - \frac{mg \cdot l_2}{2 \cdot l_0}$ $P_2 = P_3 = \frac{mg \cdot l_2}{2 \cdot l_0}$ $P_{1T} = P_{4T} = \frac{mg \cdot l_3}{2 \cdot l_0}$ $P_{2T} = P_{3T} = - \frac{mg \cdot l_3}{2 \cdot l_0}$ <p>During deceleration</p> $P_1 = P_4 = - \frac{m(g - \alpha_3) l_2}{2 \cdot l_0}$ $P_2 = P_3 = \frac{m(g - \alpha_3) l_2}{2 \cdot l_0}$ $P_{1T} = P_{4T} = \frac{m(g - \alpha_3) l_3}{2 \cdot l_0}$ $P_{2T} = P_{3T} = - \frac{m(g - \alpha_3) l_3}{2 \cdot l_0}$
10	<p><b>Horizontal mount with external force</b></p>  <p style="text-align: center;">E.g.: Drill unit, Milling machine, Lathe, Machining center and other cutting machine</p>	<p>Under force F<sub>1</sub></p> $P_1 = P_4 = - \frac{F_1 \cdot l_5}{2 \cdot l_0}$ $P_2 = P_3 = \frac{F_1 \cdot l_5}{2 \cdot l_0}$ $P_{1T} = P_{4T} = \frac{F_1 \cdot l_4}{2 \cdot l_0}$ $P_{2T} = P_{3T} = - \frac{F_1 \cdot l_4}{2 \cdot l_0}$ <p>Under force F<sub>2</sub></p> $P_1 = P_4 = \frac{F_2}{4} + \frac{F_2 \cdot l_2}{2 \cdot l_0}$ $P_2 = P_3 = \frac{F_2}{4} - \frac{F_2 \cdot l_2}{2 \cdot l_0}$ <p>Under force F<sub>3</sub></p> $P_1 = P_2 = \frac{F_3 \cdot l_3}{2 \cdot l_1}$ $P_3 = P_4 = - \frac{F_3 \cdot l_3}{2 \cdot l_1}$ $P_{1T} = P_{4T} = - \frac{F_3}{4} - \frac{F_3 \cdot l_2}{2 \cdot l_0}$ $P_{2T} = P_{3T} = - \frac{F_3}{4} + \frac{F_3 \cdot l_2}{2 \cdot l_0}$

Note) Load is positive in the direction of the arrow.

# Calculating the Equivalent Load

## Rated Load of an LM Guide in Each Direction

The LM Guide is categorized into roughly two types: the 4-way equal load type, which has the same rated load in the radial, reverse radial and lateral directions, and the radial type, which has a large rated load in the radial direction. With the radial type LM Guide, the rated load in the radial direction is different from that in the reverse radial and lateral directions. The basic load rating in the radial direction is indicated in the specification table. The values in the reverse-radial and lateral directions are obtained from Table7 on **A1-59**.

### [Rated Loads in All Directions]

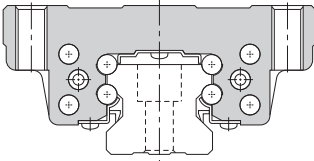
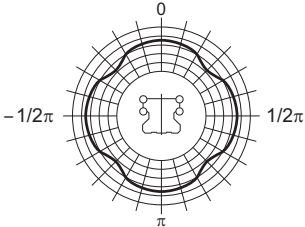
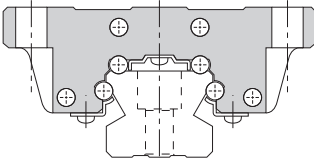
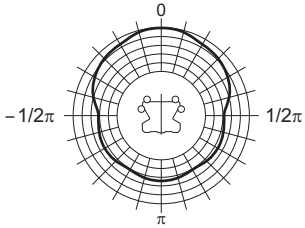


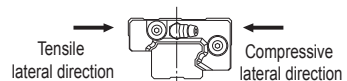
Type	Load Distribution Curve
<p data-bbox="204 520 434 544"><b>4-way Equal Load Type</b></p> 	
<p data-bbox="262 772 379 796"><b>Radial Type</b></p> 	

Table7 Rated Loads in All Directions

Classification	Model No.		Reverse radial direction 		Lateral directions 	
	Type	Size	Dynamic load rating $C_L$	Static load rating $C_{0L}$	Dynamic load rating $C_T$	Static load rating $C_{0T}$
4-way Equal Load	SHS		C	$C_0$	C	$C_0$
	SHW		C	$C_0$	C	$C_0$
	SRS	12,15,25	C	$C_0$	C	$C_0$
	SCR		C	$C_0$	C	$C_0$
	EPF		C	$C_0$	C	$C_0$
	HSR		C	$C_0$	C	$C_0$
	NRS	75,85,100	C	$C_0$	C	$C_0$
	HRW	17,21,27,35,50,60	C	$C_0$	C	$C_0$
	RSR	2,3	C	$C_0$	C	$C_0$
	CSR		C	$C_0$	C	$C_0$
	MX		C	$C_0$	C	$C_0$
	JR		C	$C_0$	C	$C_0$
	HCR		C	$C_0$	C	$C_0$
	HMG		C	$C_0$	C	$C_0$
	HSR-M1		C	$C_0$	C	$C_0$
	RSR-M1	9	C	$C_0$	C	$C_0$
	HSR-M2		C	$C_0$	C	$C_0$
HSR-M1VV		C	$C_0$	C	$C_0$	
SRG		C	$C_0$	C	$C_0$	
SRN	35,45,55,65	C	$C_0$	C	$C_0$	
SRW		C	$C_0$	C	$C_0$	
Radial	SSR		0.50C	0.50 $C_0$	0.53C	0.43 $C_0$
	SVR		0.64C	0.64 $C_0$	0.47C	0.38 $C_0$
	SR	15,20,25,30,35,45,55,70	0.62C	0.50 $C_0$	0.56C	0.43 $C_0$
	SR	85,100,120,150	0.78C	0.71 $C_0$	0.48C	0.35 $C_0$
	NR-X		0.64C	0.64 $C_0$	0.47C	0.38 $C_0$
	NR	75,85,100	0.78C	0.71 $C_0$	0.48C	0.45 $C_0$
	HRW	12,14	0.78C	0.71 $C_0$	0.48C	0.35 $C_0$
	NSR		0.62C	0.50 $C_0$	0.56C	0.43 $C_0$
	SR-M1		0.62C	0.50 $C_0$	0.56C	0.43 $C_0$
SR-MS		—	0.50 $F_0$	—	0.43 $F_0$	
Other	SVS		0.84C	0.84 $C_0$	0.92C	0.85 $C_0$
	NRS-X		0.84C	0.84 $C_0$	0.92C	0.85 $C_0$
	SRS	5,7,9,20	C	$C_0$	1.19C	1.19 $C_0$
	RSX	7,9	C	$C_0$	1.19C	1.19 $C_0$
	RSX	12,15	C	$C_0$	C	$C_0$
	RSR	14	0.78C	0.70 $C_0$	0.78C	0.71 $C_0$
	HR		C	$C_0$	C	$C_0$
	GSR		0.93C	0.90 $C_0$	(T) 0.84C* (C) 0.93C*	(T) 0.78 $C_0$ * (C) 0.90 $C_0$ *
	GSR-R		0.93C	0.90 $C_0$	(T) 0.84C* (C) 0.93C*	(T) 0.78 $C_0$ * (C) 0.90 $C_0$ *
RSR-M1	12,15,20	0.78C	0.70 $C_0$	0.78C	0.71 $C_0$	

\*(T): Tensile lateral direction; (C): Compressive lateral direction  
 Note) C and  $C_0$  in the table each represent the basic load rating indicated in the specification table of the respective model.  $F_0$  represents the permissible load.  
 For types with no size indication in the table, the same factor is applied to all sizes.  
 Models HR, GSR and GSR-R cannot be used in single-axis applications.



### [Equivalent Load $P_E$ ]

The LM Guide can bear loads and moments in all directions, including a radial load (PR), reverse radial load (PL) and lateral loads (PT), simultaneously.

When two or more loads (e.g., radial load and lateral load) are simultaneously applied to the LM Guide, the service life and the static safety factor are calculated using equivalent load values obtained by converting all the loads into radial load or reverse radial load.

### [Equivalent Load Equation]

When the LM block of the LM Guide receives loads simultaneously in the radial and lateral directions, or the reverse radial and lateral directions, the equivalent load is obtained from the equation below.

$$P_E = X \cdot P_{R(L)} + Y \cdot P_T$$

$P_E$	: Equivalent load	(N)
	·Radial direction	
	·Reverse radial direction	
$P_L$	: Reverse radial load	(N)
$P_T$	: Lateral load	(N)
X, Y	: Equivalent factor	(see Table8)

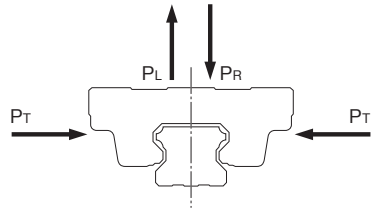




Fig.7 Equivalent of Load of the LM Guide



Table8 Equivalent factor in each direction

Classification	Model No.		If radial and lateral loads are applied simultaneously		If reverse-radial and lateral loads are applied simultaneously	
						
			Equivalent in radial direction		Equivalent in reverse radial direction	
Type	Size	X	Y	X	Y	
4-way Equal Load	SHS		1.000	1.000	1.000	1.000
	SHW		1.000	1.000	1.000	1.000
	SRS	12,15,25	1.000	1.000	1.000	1.000
	RSX	12,15	1.000	1.000	1.000	1.000
	SCR		1.000	1.000	1.000	1.000
	EPF		1.000	1.000	1.000	1.000
	HSR		1.000	1.000	1.000	1.000
	NRS	75,85,100	1.000	1.000	1.000	1.000
	HRW	17,21,27,35,50,60	1.000	1.000	1.000	1.000
	RSR	2,3	1.000	1.000	1.000	1.000
	CSR		1.000	1.000	1.000	1.000
	MX		1.000	1.000	1.000	1.000
	JR		1.000	1.000	1.000	1.000
	HCR		1.000	1.000	1.000	1.000
	HMG		1.000	1.000	1.000	1.000
	HSR-M1		1.000	1.000	1.000	1.000
	RSR-M1	9	1.000	1.000	1.000	1.000
	HSR-M2		1.000	1.000	1.000	1.000
	HSR-M1VV		1.000	1.000	1.000	1.000
	SRG		1.000	1.000	1.000	1.000
SRN		1.000	1.000	1.000	1.000	
SRW		1.000	1.000	1.000	1.000	
Radial	SSR		—	—	1.000	1.155
	SVR		—	—	1.000	1.678
	SR	15,20,25,30,35,45,55,70	—	—	1.000	1.155
	SR	85,100,120,150	—	—	1.000	2.000
	NR-X		—	—	1.000	1.678
	NR	75,85,100	—	—	1.000	2.000
	HRW	12,14	—	—	1.000	2.000
	NSR		—	—	1.000	1.155
SR-M1		—	—	1.000	1.155	
SR-MS		—	—	1.000	1.155	
Other	SVS		1.000	0.935	1.000	1.020
	NRS-X		1.000	0.935	1.000	1.020
	SRS	5,7,9,20	1.000	0.839	1.000	0.839
	RSX	7,9	1.000	0.839	1.000	0.839
	RSR	14	1.000	0.830	1.000	0.990
	HR		1.000	0.500	1.000	0.500
	GSR		1.000	1.280	1.000	1.000
	GSR-R		1.000	1.280	1.000	1.280
RSR-M1	12,15,20	1.000	0.830	1.000	0.990	

Note) If the radial type LM Guide receives radial and lateral loads simultaneously, study the safety static factor and the rated load in the radial-load and lateral-load directions.

For types with no size indication in the table, the same factor is applied to all sizes.

Models HR, GSR and GSR-R cannot be used in single-axis applications.

## Calculating the Static Safety Factor

To calculate a load applied to the LM Guide, the average load required for calculating the service life and the maximum load needed for calculating the static safety factor must be obtained first. In a system subject to frequent starts and stops, placed under cutting forces or under a large moment caused by an overhang load, an excessively large load may apply to the LM Guide. When selecting a model number, make sure that the desired model is capable of receiving the required maximum load (whether stationary or in motion). Table9 shows reference values for the static safety factor.

Table9 Reference Values for the Static Safety Factor ( $f_s$ )

Machine using the LM Guide	Load conditions	Lower limit of $f_s$
General industrial machinery	Without vibration or impact	1.0 to 3.5
	With vibration or impact	2.0 to 5.0
Machine tool	Without vibration or impact	1.0 to 4.0
	With vibration or impact	2.5 to 7.0

When the radial load is large	$\frac{f_H \cdot f_T \cdot f_C \cdot C_0}{P_R} \geq f_s$
When the reverse radial load is large	$\frac{f_H \cdot f_T \cdot f_C \cdot C_{OL}}{P_L} \geq f_s$
When the lateral loads are large	$\frac{f_H \cdot f_T \cdot f_C \cdot C_{OT}}{P_T} \geq f_s$

- $f_s$  : Static safety factor
- $C_0$  : Basic static load rating  
(radial direction) (N)
- $C_{OL}$  : Basic static load rating  
(reverse-radial direction) (N)
- $C_{OT}$  : Basic static load rating  
(lateral direction) (N)
- $P_R$  : Calculated load (radial direction) (N)
- $P_L$  : Calculated load  
(reverse-radial direction) (N)
- $P_T$  : Calculated load (lateral direction) (N)
- $f_H$  : Hardness factor (see Fig.8 on **A1-67**)
- $f_T$  : Temperature factor (see Fig.9 on **A1-67**)
- $f_C$  : Contact factor (see Table10 on **A1-67**)

# Calculating the Average Load

In cases where the load applied to each LM block fluctuates under different conditions, such as an industrial robot holding a work with its arm as it advances and receding with its arm empty, and a machine tool handling various workpieces, it is necessary to calculate the service life of the LM Block while taking into account such fluctuating loading conditions.

The average load ( $P_m$ ) is the load under which the service life of the LM Guide is equivalent to that under varying loads applied to the LM blocks.

$$P_m = \sqrt[i]{\frac{1}{L} \cdot \sum_{n=1}^n (P_n^i \cdot L_n)}$$

$P_m$  : Average Load (N)

$P_n$  : Varying load (N)

$L$  : Total travel distance (mm)

$L_n$  : Distance traveled under load  $P_n$  (mm)

$i$  : Constant determined by rolling element

Note) The above equation or the equation (1) below applies when the rolling elements are balls.

(1) When the load fluctuates stepwise

LM Guide Using Balls ( $i=3$ )

$$P_m = \sqrt[3]{\frac{1}{L} (P_1^3 \cdot L_1 + P_2^3 \cdot L_2 \cdots + P_n^3 \cdot L_n)} \cdots \cdots (1)$$

$P_m$  : Average load (N)

$P_n$  : Varying load (N)

$L$  : Total travel distance (mm)

$L_n$  : Distance traveled under  $P_n$  (mm)

LM Guide Using Rollers ( $i = \frac{10}{3}$ )

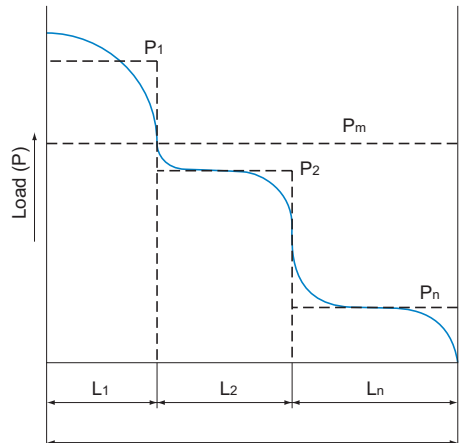
$$P_m = \sqrt[\frac{10}{3}]{\frac{1}{L} (P_1^{\frac{10}{3}} \cdot L_1 + P_2^{\frac{10}{3}} \cdot L_2 \cdots + P_n^{\frac{10}{3}} \cdot L_n)} \cdots \cdots (2)$$

$P_m$  : Average Load (N)

$P_n$  : Varying load (N)

$L$  : Total travel distance (mm)

$L_n$  : Distance traveled under  $P_n$  (mm)



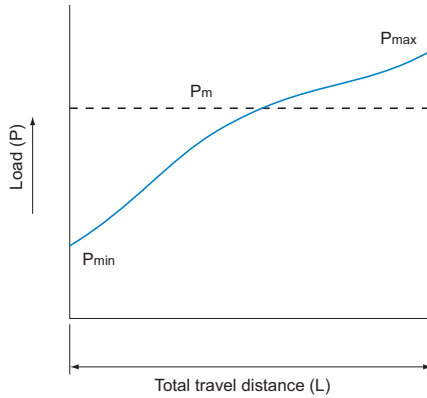
Total travel distance (L)

(2) When the load fluctuates monotonically

$$P_m \doteq \frac{1}{3} (P_{\min} + 2 \cdot P_{\max}) \dots\dots\dots(3)$$

$P_{\min}$  : Minimum load (N)

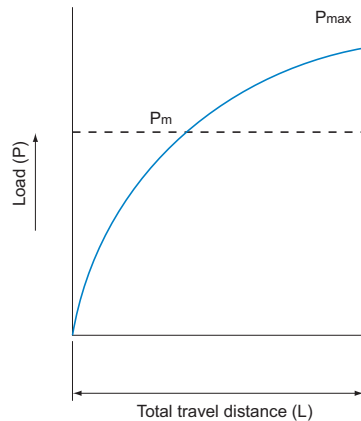
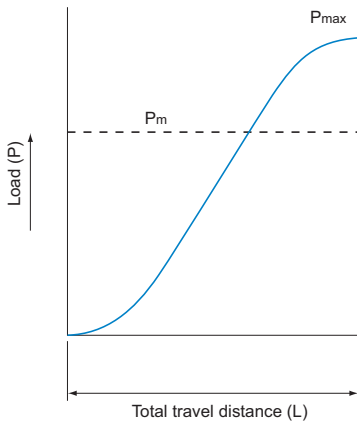
$P_{\max}$  : Maximum load (N)



(3) When the load fluctuates sinusoidally

(a)  $P_m \doteq 0.65P_{\max} \dots\dots\dots(4)$

(b)  $P_m \doteq 0.75P_{\max} \dots\dots\dots(5)$



## Calculating the Nominal Life

The service life of an LM Guide is subject to variations even under the same operational conditions. Therefore, it is necessary to use the nominal life defined below as a reference value for obtaining the service life of the LM Guide. The nominal life means the total travel distance that 90% of a group of units of the same LM Guide model can achieve without flaking (scale-like pieces on the metal surface) after individually running under the same conditions.

---

### Calculating the Nominal Life

---

The nominal life ( $L_{10}$ ) of an LM Guide is obtained from the following formulas using the basic dynamic load rating ( $C$ ), which is based on a reference distance of 50 km for an LM Guide with balls and 100 km for an LM Guide with rollers, and the calculated load acting on the LM Guide ( $P_c$ ).

- LM Guide with balls (Using a basic dynamic load rating based on a nominal life of 50 km)

$$L_{10} = \left( \frac{C}{P_c} \right)^3 \times 50 \dots\dots\dots(1)$$

$L_{10}$	: Nominal life	(km)
$C$	: Basic dynamic load rating	(N)
$P_c$	: Calculated load	(N)

- LM Guide with rollers (Using a basic dynamic load rating based on a nominal life of 100 km)

$$L_{10} = \left( \frac{C}{P_c} \right)^{\frac{10}{3}} \times 100 \dots\dots\dots(2)$$

\* These nominal life formulas may not apply if the length of the stroke is less than or equal to twice the length of the LM block.

When comparing the nominal life ( $L_{10}$ ), you must take into account whether the basic dynamic load rating was defined based on 50 km or 100 km. Convert the basic dynamic load rating based on ISO 14728-1 as necessary.

ISO-regulated basic dynamic load rating conversion formulas:

- LM Guide with balls

$$C_{100} = \frac{C_{50}}{1.26}$$

$C_{50}$  : Basic dynamic load rating based on a nominal life of 50 km

$C_{100}$  : Basic dynamic load rating based on a nominal life of 100 km

- LM Guide with rollers

$$C_{100} = \frac{C_{50}}{1.23}$$

## Calculating the Modified Nominal Life

During use, an LM Guide may be subjected to vibrations and shocks as well as fluctuating loads, which are difficult to detect. In addition, the surface hardness of the raceways, the operating temperature, and having LM blocks arranged directly behind one another will have a decisive impact on the service life. Taking these factors into account, the modified nominal life ( $L_{10m}$ ) can be calculated according to the following formulas (3) and (4).

• Modified factor  $\alpha$

$$\alpha = \frac{f_H \cdot f_T \cdot f_C}{f_W}$$

$\alpha$	: Modified factor	
$f_H$	: Hardness factor	(see Fig.8 on <b>A1-67</b> )
$f_T$	: Temperature factor	(see Fig.9 on <b>A1-67</b> )
$f_C$	: Contact factor	(see Table10 on <b>A1-67</b> )
$f_W$	: Load factor	(see Table11 on <b>A1-68</b> )

• Modified nominal life  $L_{10m}$

• LM Guide with balls

$$L_{10m} = \left( \alpha \times \frac{C}{P_C} \right)^3 \times 50 \dots\dots\dots (3)$$

$L_{10m}$	: Modified nominal life	(km)
$C$	: Basic dynamic load rating	(N)
$P_C$	: Calculated load	(N)

• LM Guide with rollers

$$L_{10m} = \left( \alpha \times \frac{C}{P_C} \right)^{\frac{10}{3}} \times 100 \dots\dots\dots (4)$$

Once the nominal life ( $L_{10}$ ) has been obtained, the service life time can be obtained using the following equation if the stroke length and the number of reciprocations are constant.

$$L_h = \frac{L_{10} \times 10^6}{2 \times l_s \times n_1 \times 60}$$

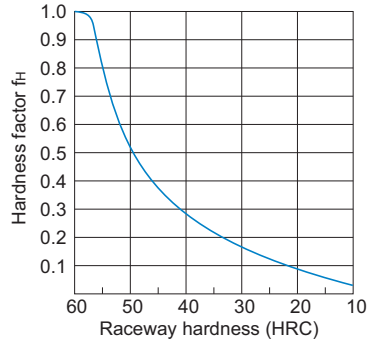
$L_h$	: Service life time	(h)
$l_s$	: Stroke length	(mm)
$n_1$	: Number of reciprocations per minute	(min <sup>-1</sup> )

**[f<sub>H</sub>: Hardness Factor]**

To ensure the achievement of the optimum load capacity of the LM Guide, the raceway hardness must be between 58 and 64 HRC.

If the hardness is lower than this range, the basic dynamic load rating and the basic static load rating decrease. Therefore, it is necessary to multiply each rating by the respective hardness factor ( $f_H$ ).

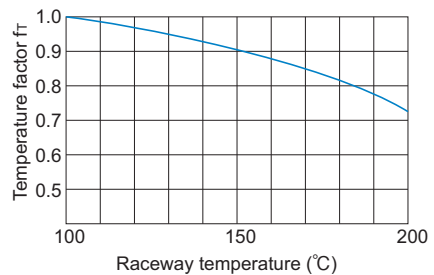
Since the LM Guide has sufficient hardness, the  $f_H$  value for the LM Guide is normally 1.0 unless otherwise specified.

Fig.8 Hardness Factor ( $f_H$ )**[f<sub>T</sub>: Temperature Factor]**

If the temperature of the environment surrounding the operating LM Guide exceeds 100°C, take into account the adverse effect of the high temperature and multiply the basic load ratings by the temperature factor indicated in Fig.9.

In addition, the selected LM Guide must also be of a high temperature type.

Note) LM guides not designed to withstand high temperatures should be used at 80°C or less. Please contact THK if application requirements exceed 80°C.

Fig.9 Temperature Factor ( $f_T$ )**[f<sub>c</sub>: Contact Factor]**

When multiple LM blocks are used in close contact with each other, it is difficult to achieve uniform load distribution due to moment loads and mounting-surface accuracy. When using multiple blocks in close contact with each other, multiply the basic load rating ( $C$  or  $C_0$ ) by the corresponding contact factor indicated in Table10.

Note) If uneven load distribution is expected in a large machine, take into account the respective contact factor indicated in Table10.

Table10 Contact Factor ( $f_c$ )

Number of blocks used in close contact	Contact factor $f_c$
2	0.81
3	0.72
4	0.66
5	0.61
6 or more	0.6
Normal use	1

**[f<sub>w</sub>: Load Factor]**

In general, reciprocating machines tend to involve vibrations or impact during operation. It is extremely difficult to accurately determine vibrations generated during high-speed operation and impact during frequent start and stop. Therefore, where the effects of speed and vibration are estimated to be significant, divide the basic dynamic load rating (C) by a load factor selected from Table11, which contains empirically obtained data.

Table11 Load Factor (f<sub>w</sub>)

Vibrations/ impact	Speed (V)	f <sub>w</sub>
Faint	Very low $V \leq 0.25\text{m/s}$	1 to 1.2
Weak	low $0.25 < V \leq 1\text{m/s}$	1.2 to 1.5
Medium	Medium $1 < V \leq 2\text{m/s}$	1.5 to 2
Strong	High $V > 2\text{m/s}$	2 to 3.5



# Predicting the Rigidity

## Selecting a Radial Clearance (Preload)

Since the radial clearance of an LM Guide greatly affects the running accuracy, load carrying capacity and rigidity of the LM Guide, it is important to select an appropriate clearance according to the application. In general, selecting a negative clearance (i.e., a preload\* is applied) while taking into account possible vibrations and impact generated from reciprocating motion favorably affects the service life and the accuracy.

For specific radial clearances, contact THK. We will help you select the optimal clearance according to the conditions.

The clearances of all LM Guide models (except model HR, GSR and GSR-R, which are separate types) are adjusted as specified before shipment, and therefore they do not need further preload adjustment.

\*Preload is an internal load applied to the rolling elements (balls, rollers, etc.) of an LM block in advance in order to increase its rigidity.

Table12 Types of Radial Clearance

	Normal Clearance	Clearance C1 (Light Preload)	Clearance C0 (Medium Preload)
Condition	<ul style="list-style-type: none"> <li>The loading direction is fixed, impact and vibrations are minimal and 2 rails are installed in parallel.</li> <li>Very high precision is not required, and the sliding resistance must be as low as possible.</li> </ul>	<ul style="list-style-type: none"> <li>An overhang load or moment load is applied.</li> <li>LM Guide is used in a single-rail configuration.</li> <li>Light load and high accuracy are required.</li> </ul>	<ul style="list-style-type: none"> <li>High rigidity is required and vibrations and impact are applied.</li> <li>Heavy-cutting machine tool</li> </ul>
Examples of applications	<ul style="list-style-type: none"> <li>Beam-welding machine</li> <li>Book-binding machine</li> <li>Automatic packaging machine</li> <li>XY axes of general industrial machinery</li> <li>Automatic sash-manufacturing machine</li> <li>Welding machine</li> <li>Flame cutting machine</li> <li>Tool changer</li> <li>Various kinds of material feeder</li> </ul>	<ul style="list-style-type: none"> <li>Grinding machine table feed axis</li> <li>Automatic coating machine</li> <li>Industrial robot</li> <li>various kinds of material high speed feeder</li> <li>NC drilling machine</li> <li>Vertical axis of general industrial machinery</li> <li>Printed circuit board drilling machine</li> <li>Electric discharge machine</li> <li>Measuring instrument</li> <li>Precision XY table</li> </ul>	<ul style="list-style-type: none"> <li>Machining center</li> <li>NC lathe</li> <li>Grinding stone feed axis of grinding machine</li> <li>Milling machine</li> <li>Vertical/horizontal boring machine</li> <li>Tool rest guide</li> <li>Vertical axis of machine tool</li> </ul>

## Service Life with a Preload Considered

When using an LM Guide under a medium preload (clearance C0), it is necessary to calculate the service life while taking into account the magnitude of the preload.

To identify the appropriate preload for any selected LM Guide model, contact THK.

## Rigidity

When a load is applied to an LM Guide, the bearings and LM block will elastically deform within the allowable load range. The ratio of displacement to applied load is referred to as "rigidity." The radial internal clearance (preload) for the LM Guide can be specified in order to reduce displacement.

By using balls larger than the width of the race, they will naturally deform elastically as they roll, allowing the load to be maintained for longer while limiting displacement in the LM Guide.

The effect of the preload can be up to 2.8 times greater than the size of the preload itself. If that level is exceeded, the preload is released and the effect of the preload is lost.

When a preloaded LM Guide takes an external load, the displacement will be linear. The level of displacement will be approximately half that of an LM Guide with no preload.

The preload, in addition to reducing displacement, helps prevent premature failure due to vibration and impact/shock.

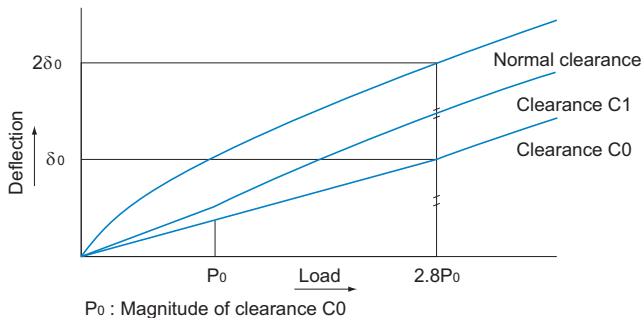
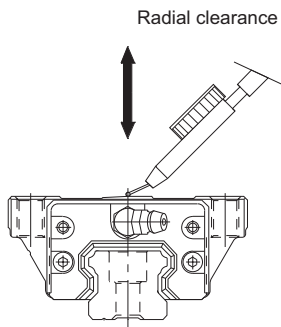


Fig.10 Rigidity Data

$$K = \frac{P}{\delta}$$

K	: Rigidity value	(N/ $\mu$ m)
$\delta$	: Deflection	( $\mu$ m)
P	: Calculated load	(N)

## Radial Clearance Standard for Each Model



### [Radial clearances for models SHS and SCR]

Unit:  $\mu\text{m}$ 

Indication symbol	Normal	Light preload	Medium preload
Model No.	No Symbol	C1	C0
15	-5 to 0	-12 to -5	—
20	-6 to 0	-12 to -6	-18 to -12
25	-8 to 0	-14 to -8	-20 to -14
30	-9 to 0	-17 to -9	-27 to -17
35	-11 to 0	-19 to -11	-29 to -19
45	-12 to 0	-22 to -12	-32 to -22
55	-15 to 0	-28 to -16	-38 to -28
65	-18 to 0	-34 to -22	-45 to -34

### [Radial clearance for model SSR]

Unit:  $\mu\text{m}$ 

Indication symbol	Normal	Light preload
Model No.	No Symbol	C1
15	-4 to +2	-10 to -4
20	-5 to +2	-12 to -5
25	-6 to +3	-15 to -6
30	-7 to +4	-18 to -7
35	-8 to +4	-20 to -8

### [Radial clearance for models SVR/SVS, NR/NRS-X and NR/NRS]

Unit:  $\mu\text{m}$ 

Indication symbol	Normal	Light preload	Medium preload
Model No.	No Symbol	C1	C0
25	-3 to +2	-6 to -3	-9 to -6
30	-4 to +2	-8 to -4	-12 to -8
35	-4 to +2	-8 to -4	-12 to -8
45	-5 to +3	-10 to -5	-15 to -10
55	-6 to +3	-11 to -6	-16 to -11
65	-8 to +3	-14 to -8	-20 to -14
75	-10 to +4	-17 to -10	-24 to -17
85	-13 to +4	-20 to -13	-27 to -20
100	-14 to +4	-24 to -14	-34 to -24

### [Radial clearance for model SHW]

Unit:  $\mu\text{m}$ 

Indication symbol	Normal	Light preload	Medium preload
Model No.	No Symbol	C1	C0
12	-1.5 to 0	-4 to -1	—
14	-2 to 0	-5 to -1	—
17	-3 to 0	-7 to -3	—
21	-4 to +2	-8 to -4	—
27	-5 to +2	-11 to -5	—
35	-8 to +4	-18 to -8	-28 to -18
50	-10 to +5	-24 to -10	-38 to -24

### [Radial clearances for models SRS and RSX]

Unit:  $\mu\text{m}$ 

Indication symbol	Normal	Light preload
Model No.	No Symbol	C1
5	0 to +1.5	-1 to 0
7	-2 to +2	-3 to 0
9	-2 to +2	-4 to 0
12	-3 to +3	-6 to 0
15	-5 to +5	-10 to 0
20	-5 to +5	-10 to 0
25	-7 to +7	-14 to 0

Note) Model RSX includes types 7, 9, 12, and 15.

**[Radial clearance for models HSR, CSR, HSR-M1 and HSR-M1VV]**Unit:  $\mu\text{m}$ 

Indication symbol	Normal	Light preload	Medium preload
Model No.	No Symbol	C1	C0
8	-1 to +1	-4 to -1	—
10	-2 to +2	-5 to -1	—
12	-3 to +3	-6 to -2	—
15	-4 to +2	-12 to -4	—
20	-5 to +2	-14 to -5	-23 to -14
25	-6 to +3	-16 to -6	-26 to -16
30	-7 to +4	-19 to -7	-31 to -19
35	-8 to +4	-22 to -8	-35 to -22

Unit:  $\mu\text{m}$ 

Indication symbol	Normal	Light preload	Medium preload
Model No.	No Symbol	C1	C0
45	-10 to +5	-25 to -10	-40 to -25
55	-12 to +5	-29 to -12	-46 to -29
65	-14 to +7	-32 to -14	-50 to -32
85	-16 to +8	-36 to -16	-56 to -36
100	-19 to +9	-42 to -19	-65 to -42
120	-21 to +10	-47 to -21	-73 to -47
150	-23 to +11	-51 to -23	-79 to -51

**[Radial clearances for models SR and SR-M1]**Unit:  $\mu\text{m}$ 

Indication symbol	Normal	Light preload	Medium preload
Model No.	No Symbol	C1	C0
15	-4 to +2	-10 to -4	—
20	-5 to +2	-12 to -5	-17 to -12
25	-6 to +3	-15 to -6	-21 to -15
30	-7 to +4	-18 to -7	-26 to -18
35	-8 to +4	-20 to -8	-31 to -20
45	-10 to +5	-24 to -10	-36 to -24
55	-12 to +5	-28 to -12	-45 to -28
70	-14 to +7	-32 to -14	-50 to -32
85	-20 to +9	-46 to -20	-70 to -46
100	-22 to +10	-52 to -22	-78 to -52
120	-25 to +12	-57 to -25	-87 to -57
150	-29 to +14	-69 to -29	-104 to -69

**[Radial clearance for model HRW]**Unit:  $\mu\text{m}$ 

Indication symbol	Normal	Light preload	Medium preload
Model No.	No Symbol	C1	C0
12	-1.5 to +1.5	-4 to -1	—
14	-2 to +2	-5 to -1	—
17	-3 to +2	-7 to -3	—
21	-4 to +2	-8 to -4	—
27	-5 to +2	-11 to -5	—
35	-8 to +4	-18 to -8	-28 to -18
50	-10 to +5	-24 to -10	-38 to -24
60	-12 to +5	-27 to -12	-42 to -27

**[Radial clearance for models RSR, RSR-W and RSR-M1]**Unit:  $\mu\text{m}$ 

Indication symbol	Normal	Light preload
Model No.	No Symbol	C1
2	0 to +4	—
3	0 to +1	-0.5 to 0
9	-2 to +2	-4 to 0
12	-3 to +3	-6 to 0
14	-5 to +5	-10 to 0
15	-5 to +5	-10 to 0
20	-7 to +7	-14 to 0

**[Radial clearance for model MX]**Unit:  $\mu\text{m}$ 

Indication symbol	Normal	Light preload
Model No.	No Symbol	C1
5	0 to +1.5	-1 to 0
7	-2 to +2	-3 to 0

## Point of Selection

Predicting the Rigidity

### [Radial clearance for model JR]

Unit:  $\mu\text{m}$

Indication symbol	Normal
Model No.	No Symbol
25	0 to +30
35	0 to +30
45	0 to +50
55	0 to +50

### [Radial clearances for models HCR and HMG]

Unit:  $\mu\text{m}$

Indication symbol	Normal	Light preload
Model No.	No Symbol	C1
12	-3 to +3	-6 to -2
15	-4 to +2	-12 to -4
25	-6 to +3	-16 to -6
35	-8 to +4	-22 to -8
45	-10 to +5	-25 to -10
65	-14 to +7	-32 to -14

### [Radial clearance for model NSR-TBC]

Unit:  $\mu\text{m}$

Indication symbol	Normal	Light preload	Medium preload
Model No.	No Symbol	C1	C0
20	-5 to +5	-15 to -5	-25 to -15
25	-5 to +5	-15 to -5	-25 to -15
30	-5 to +5	-15 to -5	-25 to -15
40	-8 to +8	-22 to -8	-36 to -22
50	-8 to +8	-22 to -8	-36 to -22
70	-10 to +10	-26 to -10	-42 to -26

### [Radial clearance for model HSR-M2]

Unit:  $\mu\text{m}$

Indication symbol	Normal	Light preload
Model No.	No Symbol	C1
15	-4 to +2	-12 to -4
20	-5 to +2	-14 to -5
25	-6 to +3	-16 to -6

### [Radial clearances for models SRG and SRN]

Unit:  $\mu\text{m}$

Indication symbol	Normal	Light preload	Medium preload
Model No.	No Symbol	C1	C0
15	-0.5 to 0	-1 to -0.5	-2 to -1
20	-0.8 to 0	-2 to -0.8	-3 to -2
25	-2 to -1	-3 to -2	-4 to -3
30	-2 to -1	-3 to -2	-4 to -3
35	-2 to -1	-3 to -2	-5 to -3
45	-2 to -1	-3 to -2	-5 to -3
55	-2 to -1	-4 to -2	-6 to -4
65	-3 to -1	-5 to -3	-8 to -5
85	-3 to -1	-7 to -3	-12 to -7
100	-3 to -1	-8 to -3	-13 to -8

### [Radial clearance for model SRW]

Unit:  $\mu\text{m}$

Indication symbol	Normal	Light preload	Medium preload
Model No.	No Symbol	C1	C0
70	-2 to -1	-3 to -2	-5 to -3
85	-2 to -1	-4 to -2	-6 to -4
100	-3 to -1	-5 to -3	-8 to -5
130	-3 to -1	-7 to -3	-12 to -7
150	-3 to -1	-8 to -3	-13 to -8

### [Radial clearance for model EPF]

Unit:  $\mu\text{m}$

Indication symbol	Normal
Model No.	No Symbol
7M	0 or less
9M	
12M	
15M	

### [Radial Clearance for the Oil-Free LM Guide Model SR-MS]

Unit:  $\mu\text{m}$

Indication symbol	Clearance CS
Model No.	
15	-2 to +1
20	-2 to +1

# Determining the Accuracy

## Accuracy Standards

Accuracy of the LM Guide is specified in terms of running parallelism, dimensional tolerance for height and width, and height and width difference between a pair when 2 or more LM blocks are used on one rail or when 2 or more rails are mounted on the same plane.

For details, see “Accuracy Standard for Each Model” on **A1-76** to **A1-86**.

### [Running of Parallelism]

It refers to the tolerance for parallelism between the LM block and the LM rail reference surface when the LM block travels the whole length of the LM rail with the LM rail secured on the reference surface using bolts.

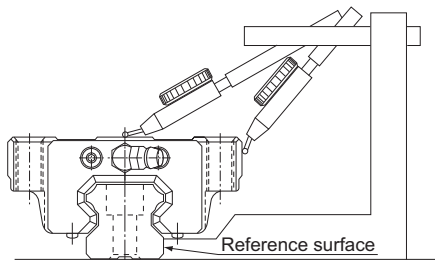


Fig.11 Running of Parallelism

### [Difference in Height M]

Indicates a difference between the minimum and maximum values of height (M) of each of the LM blocks used on the same plane in combination.

### [Difference in Width W<sub>2</sub>]

Indicates a difference between the minimum and maximum values of the width (W<sub>2</sub>) between each of the LM blocks, mounted on one LM rail in combination, and the LM rail.

Note 1) When two or more rails are used on the same plane in parallel, only the width (W<sub>2</sub>) variation and dimensional tolerance of the master rail apply. Master LM rails will have a serial number ending with “KB” printed on them. However, this is not the case for standard grade products.

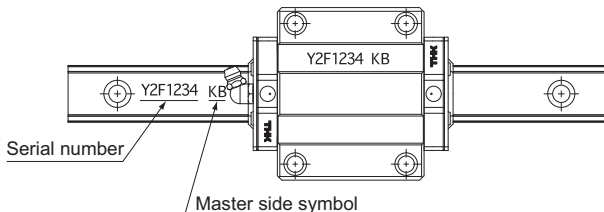


Fig.12 Master LM Rail (E.g. Model HSR-A)

Note 2) Accuracy measurements each represent the average value of the central point or the central area of the LM block.

Note 3) If it is mounted on a less rigid base such as an aluminum base, the curve of the rail will affect the accuracy of the machine. Therefore, it is necessary to define straightness of the rail in advance.

## Guidelines for Accuracy Grades by Machine Type

Table13 shows guidelines for selecting an accuracy grade of the LM Guide according to the machine type.

Table13 Guideline for Accuracy Grades by Machine Type

Type of machine		Accuracy grades				
		Normal	H	P	SP	UP
Machine tool	Machining center			●	●	
	Lathe			●	●	
	Milling machine			●	●	
	Boring machine			●	●	
	Jig borer				●	●
	Grinding machine				●	●
	Electric discharge machine			●	●	●
	Punching press		●	●		
	Laser beam machine		●	●	●	
	Woodworking machine	●	●	●		
	NC drilling machine		●	●		
	Tapping center		●	●		
	Palette changer	●				
	ATC	●				
	Wire cutting machine			●	●	
	Dressing machine				●	●
Industrial robot	Cartesian coordinate	●	●	●		
	Cylindrical coordinate	●	●			
Semiconductor manufacturing equipment	Wire bonding machine			●	●	
	Prober				●	●
	Electronic component inserter		●	●		
	Printed circuit board drilling machine		●	●	●	
Other equipment	Injection molding machine	●	●			
	3D measuring instrument				●	●
	Office equipment	●	●			
	Conveyance system	●	●			
	XY table		●	●	●	
	Coating machine	●	●			
	Welding machine	●	●			
	Medical equipment	●	●			
	Digitizer		●	●	●	
Inspection equipment			●	●	●	

Normal : Normal grade  
H : High accuracy grade  
P : Precision grade

SP : Super precision grade  
UP : Ultra precision grade

## Accuracy Standard for Each Model

- Accuracies of models SHS, SSR, SVR/SVS, SHW, HSR, SR, NR/NRS-X, NR/NRS, HRW, NSR-TBC, HSR-M1, HSR-M1VV, SR-M1, HSR-M2, SRG and SRN are categorized into Normal grade (no symbol), High accuracy grade (H), Precision grade (P), Super precision grade (SP) and Ultra precision grade (UP) by model numbers, as indicated in Table15 on **A1-77**.

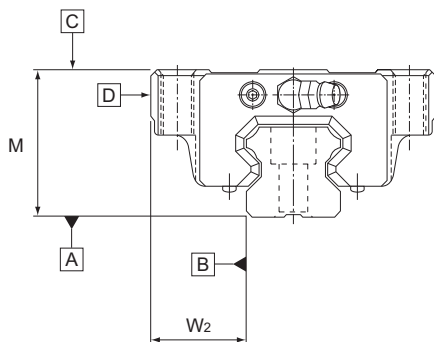


Fig.13

Table14 LM Rail Length and Running Parallelism by Accuracy Standard

Unit:  $\mu\text{m}$ 

LM rail length (mm)		Running Parallelism Values				
Above	Or less	Normal grade	High-accuracy grade	Precision grade	Super precision grade	Ultra precision grade
—	50	5	3	2	1.5	1
50	80	5	3	2	1.5	1
80	125	5	3	2	1.5	1
125	200	5	3.5	2	1.5	1
200	250	6	4	2.5	1.5	1
250	315	7	4.5	3	1.5	1
315	400	8	5	3.5	2	1.5
400	500	9	6	4.5	2.5	1.5
500	630	11	7	5	3	2
630	800	12	8.5	6	3.5	2
800	1000	13	9	6.5	4	2.5
1000	1250	15	11	7.5	4.5	3
1250	1600	16	12	8	5	4
1600	2000	18	13	8.5	5.5	4.5
2000	2500	20	14	9.5	6	5
2500	3090	21	16	11	6.5	5.5



## Point of Selection

## Determining the Accuracy

Table15 Accuracy Standards for Models SHS, SSR, SVR/SVS, SHW, HSR, SR, NR/NRS-X, NR/NRS, HRW, NSR-TBC, HSR-M1, HSR-M1VV, SR-M1, HSR-M2, SRG, and SRN.

Unit: mm

Model No.	Accuracy standards	Normal grade	High-accuracy grade	Precision grade	Super precision grade	Ultra precision grade
		No Symbol	H	P	SP	UP
8 10 12 14	Dimensional tolerance in height M	±0.07	±0.03	±0.015	±0.007	—
	Difference in height M	0.015	0.007	0.005	0.003	—
	Dimensional tolerance in width W <sub>2</sub>	±0.04	±0.02	±0.01	±0.007	—
	Difference in width W <sub>2</sub>	0.02	0.01	0.006	0.004	—
	Running parallelism of surface C against surface A	As shown in Table14 <b>A1-76</b>				
	Running parallelism of surface D against surface B	As shown in Table14 <b>A1-76</b>				
15 17 20 21	Dimensional tolerance in height M	±0.07	±0.03	0 -0.03	0 -0.015	0 -0.008
	Difference in height M	0.02	0.01	0.006	0.004	0.003
	Dimensional tolerance in width W <sub>2</sub>	±0.06	±0.03	0 -0.02	0 -0.015	0 -0.008
	Difference in width W <sub>2</sub>	0.02	0.01	0.006	0.004	0.003
	Running parallelism of surface C against surface A	As shown in Table14 <b>A1-76</b>				
	Running parallelism of surface D against surface B	As shown in Table14 <b>A1-76</b>				
25 27 30 35	Dimensional tolerance in height M	±0.08	±0.04	0 -0.04	0 -0.02	0 -0.01
	Difference in height M	0.02	0.015	0.007	0.005	0.003
	Dimensional tolerance in width W <sub>2</sub>	±0.07	±0.03	0 -0.03	0 -0.015	0 -0.01
	Difference in width W <sub>2</sub>	0.025	0.015	0.007	0.005	0.003
	Running parallelism of surface C against surface A	As shown in Table14 <b>A1-76</b>				
	Running parallelism of surface D against surface B	As shown in Table14 <b>A1-76</b>				
40 45 50 55 60	Dimensional tolerance in height M	±0.08	±0.04	0 -0.05	0 -0.03	0 -0.015
	Difference in height M	0.025	0.015	0.007	0.005	0.003
	Dimensional tolerance in width W <sub>2</sub>	±0.07	±0.04	0 -0.04	0 -0.025	0 -0.015
	Difference in width W <sub>2</sub>	0.03	0.015	0.007	0.005	0.003
	Running parallelism of surface C against surface A	As shown in Table14 <b>A1-76</b>				
	Running parallelism of surface D against surface B	As shown in Table14 <b>A1-76</b>				
65 70 75 85 100 120 150	Dimensional tolerance in height M	±0.08	±0.04	0 -0.05	0 -0.04	0 -0.03
	Difference in height M	0.03	0.02	0.01	0.007	0.005
	Dimensional tolerance in width W <sub>2</sub>	±0.08	±0.04	0 -0.05	0 -0.04	0 -0.03
	Difference in width W <sub>2</sub>	0.03	0.02	0.01	0.007	0.005
	Running parallelism of surface C against surface A	As shown in Table14 <b>A1-76</b>				
	Running parallelism of surface D against surface B	As shown in Table14 <b>A1-76</b>				

Note1) Models SRG35 to 65 are available in high accuracy grade and above. Other models are only available in precision grade or above. (Normal grade is not available.)

Note2) Model SRN is available in high accuracy grade or above. (Normal grade is not available.)

- Accuracies of model HMG are defined by model number as indicated in Table16.

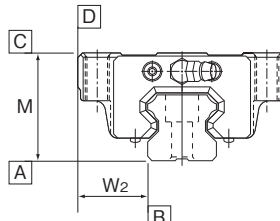


Fig.14

Table16 Model HMG Accuracy Standard

Unit: mm

Model No.	Accuracy Standards Item	Normal grade
		No symbol
15	Dimensional tolerance in height M	±0.1
	Difference in height M	0.02
	Dimensional tolerance in width $W_2$	±0.1
	Difference in width $W_2$	0.02
	Running parallelism of surface C against surface A	as shown in Table17
	Running parallelism of surface D against surface B	as shown in Table17
25 35	Dimensional tolerance in height M	±0.1
	Difference in height M	0.02
	Dimensional tolerance in width $W_2$	±0.1
	Difference in width $W_2$	0.03
	Running parallelism of surface C against surface A	as shown in Table17
	Running parallelism of surface D against surface B	as shown in Table17
45 65	Dimensional tolerance in height M	±0.1
	Difference in height M	0.03
	Dimensional tolerance in width $W_2$	±0.1
	Difference in width $W_2$	0.03
	Running parallelism of surface C against surface A	as shown in Table17
	Running parallelism of surface D against surface B	as shown in Table17

Table17 LM Rail Length and Running Parallelism by Accuracy Standard

Unit:  $\mu\text{m}$ 

LM rail length (mm)		Running Parallelism Values
Above	Or less	Normal grade
—	125	30
125	200	37
200	250	40
250	315	44
315	400	49
400	500	53
500	630	58
630	800	64
800	1000	70
1000	1250	77
1250	1600	84
1600	2000	92

- Accuracies of model HCR are categorized into normal and high accuracy grades by model number as indicated in Table18.

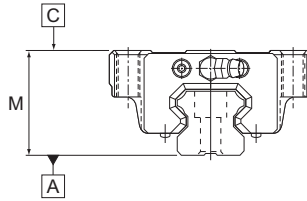


Fig.15

Table18 Accuracy Standard for Model HCR

Unit: mm

Model No.	Accuracy standards	Normal grade	High-accuracy grade
	Item	No Symbol	H
12	Dimensional tolerance in height M	$\pm 0.2$	$\pm 0.2$
15	Difference in height M	0.05	0.03
25	Running parallelism of surface C against surface A	as shown in Table19	
35			
45	Dimensional tolerance in height M	$\pm 0.2$	$\pm 0.2$
65	Difference in height M	0.06	0.04
	Running parallelism of surface C against surface A	as shown in Table19	

Table19 LM Rail Length and Running Parallelism by Accuracy Standard

Unit:  $\mu\text{m}$ 

LM rail length (mm)		Running Parallelism Values	
Above	Or less	Normal grade	High-accuracy grade
—	125	30	15
125	200	37	18
200	250	40	20
250	315	44	22
315	400	49	24
400	500	53	26
500	630	58	29
630	800	64	32
800	1000	70	35
1000	1250	77	38
1250	1600	84	42
1600	2000	92	46

- Accuracies of model JR are defined by model number as indicated in Table20.

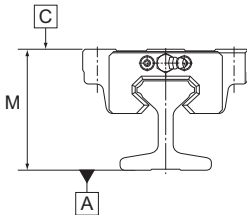


Fig.16

Table20 Accuracy Standard for Model JR

Unit: mm

Model No.	Accuracy standards	Normal grade
	Item	No Symbol
25	Difference in height M	0.05
35	Running parallelism of surface C against surface A	as shown in Table21
45	Difference in height M	0.06
55	Running parallelism of surface C against surface A	as shown in Table21

Table21 LM Rail Length and Running Parallelism by Accuracy Standard

Unit:  $\mu\text{m}$ 

LM rail length (mm)		Running Parallelism Values
Above	Or less	Normal grade
—	50	5
50	80	5
80	125	5
125	200	6
200	250	8
250	315	9
315	400	11
400	500	13
500	630	15
630	800	17
800	1000	19
1000	1250	21
1250	1600	23
1600	2000	26
2000	2500	28
2500	3150	30
3150	4000	33

- Accuracies of models SCR and CSR are categorized into precision, super precision and ultra precision grades by model number as indicated in Table22.

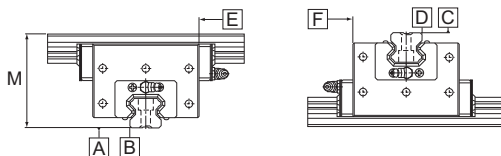


Fig.17

Table22 Accuracy Standard for Models SCR and CSR

Unit: mm

Model No.	Accuracy standards	Precision grade	Super precision grade	Ultra precision grade
		P	SP	UP
15 20	Difference in height M	0.01	0.007	0.005
	Perpendicularity of surface D against surface B	0.005	0.004	0.003
	Running parallelism of surface E against surface B	as shown in Table23		
25	Running parallelism of surface F against surface D	as shown in Table23		
	Difference in height M	0.01	0.007	0.005
	Perpendicularity of surface D against surface B	0.008	0.006	0.004
30 35	Running parallelism of surface E against surface B	as shown in Table23		
	Running parallelism of surface F against surface D	as shown in Table23		
	Difference in height M	0.01	0.007	0.005
45	Perpendicularity of surface D against surface B	0.01	0.007	0.005
	Running parallelism of surface E against surface B	as shown in Table23		
	Running parallelism of surface F against surface D	as shown in Table23		
65	Difference in height M	0.012	0.008	0.006
	Perpendicularity of surface D against surface B	0.012	0.008	0.006
	Running parallelism of surface E against surface B	as shown in Table23		
65	Running parallelism of surface F against surface D	as shown in Table23		
	Difference in height M	0.018	0.012	0.009
	Perpendicularity of surface D against surface B	0.018	0.012	0.009
65	Running parallelism of surface E against surface B	as shown in Table23		
	Running parallelism of surface F against surface D	as shown in Table23		

Table23 LM Rail Length and Running Parallelism

by Accuracy Standard

Unit:  $\mu\text{m}$ 

LM rail length (mm)		Running Parallelism Values		
Above	Or less	Precision grade	Super precision grade	Ultra precision grade
—	50	2	1.5	1
50	80	2	1.5	1
80	125	2	1.5	1
125	200	2	1.5	1
200	250	2.5	1.5	1
250	315	3	1.5	1
315	400	3.5	2	1.5
400	500	4.5	2.5	1.5
500	630	5	3	2
630	800	6	3.5	2
800	1000	6.5	4	2.5
1000	1250	7.5	4.5	3
1250	1600	8	5	4
1600	2000	8.5	5.5	4.5
2000	2500	9.5	6	5
2500	3090	11	6.5	5.5

## Point of Selection

## Determining the Accuracy

- Accuracies of model HR are categorized into normal, high accuracy, precision, super precision and ultra precision grades as indicated in Table24.

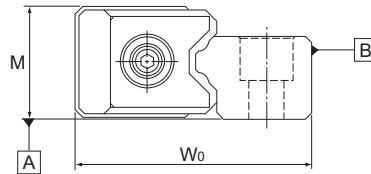


Fig. 18

Table24 Accuracy Standard for Model HR

Unit: mm

Accuracy standards	Normal grade	High-accuracy grade	Precision grade	Super precision grade	Ultra precision grade
Item	No Symbol	H	P	SP	UP
Dimensional tolerance in height M	±0.1	±0.05	±0.025	±0.015	±0.01
Difference in height M <sup>Note 1)</sup>	0.03	0.02	0.01	0.005	0.003
Dimensional tolerance for total width W <sub>0</sub>	±0.1		±0.05		
Difference in total width W <sub>0</sub> <sup>Note 2)</sup>	0.03	0.015	0.01	0.005	0.003
Parallelism of the raceway against surfaces A and B	as shown in Table25				

Note 1) Difference in height M applies to a set of LM Guides used on the same plane.

Note 2) Difference in total width W<sub>0</sub> applies to LM blocks used in combination on one LM rail.

Note 3) In a set of LM Guides, dimensional tolerance and difference in total width W<sub>0</sub> for precision and higher grades apply only to the master rail. The Master LM Guide will have a serial number ending with "KB" printed on it.

Table25 LM Rail Length and Running Parallelism by Accuracy Standard

Unit: μm

LM rail length (mm)		Running Parallelism Values				
Above	Or less	Normal grade	High-accuracy grade	Precision grade	Super precision grade	Ultra precision grade
—	50	5	3	2	1.5	1
50	80	5	3	2	1.5	1
80	125	5	3	2	1.5	1
125	200	5	3.5	2	1.5	1
200	250	6	4	2.5	1.5	1
250	315	7	4.5	3	1.5	1
315	400	8	5	3.5	2	1.5
400	500	9	6	4.5	2.5	1.5
500	630	11	7	5	3	2
630	800	12	8.5	6	3.5	2
800	1000	13	9	6.5	4	2.5
1000	1250	15	11	7.5	4.5	3
1250	1600	16	12	8	5	4
1600	2000	18	13	8.5	5.5	4.5
2000	2500	20	14	9.5	6	5
2500	3000	21	16	11	6.5	5.5

- Accuracies of model GSR are categorized into normal, high accuracy and precision grades by model number as indicated in Table26.

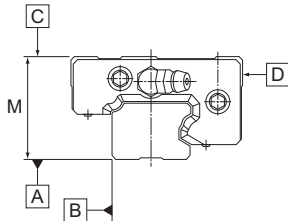


Fig.19

Table26 Accuracy Standard for Model GSR

Unit: mm

Model No.	Accuracy standards	Normal grade	High-accuracy grade	Precision grade
	Item	No Symbol	H	P
15 20	Dimensional tolerance in height M	±0.02		
	Running parallelism of surface C against surface A	as shown in Table27		
	Running parallelism of surface D against surface B	as shown in Table27		
25 30 35	Dimensional tolerance in height M	±0.03		
	Running parallelism of surface C against surface A	as shown in Table27		
	Running parallelism of surface D against surface B	as shown in Table27		

Table27 LM Rail Length and Running Parallelism by Accuracy Standard

Unit: μm

LM rail length (mm)		Running Parallelism Values		
Above	Or less	Normal grade	High-accuracy grade	Precision grade
—	50	5	3	2
50	80	5	3	2
80	125	5	3	2
125	200	5	3.5	2
200	250	6	4	2.5
250	315	7	4.5	3
315	400	8	5	3.5
400	500	9	6	4.5
500	630	11	7	5
630	800	12	8.5	6
800	1000	13	9	6.5
1000	1250	15	11	7.5
1250	1600	16	12	8
1600	2000	18	13	8.5
2000	2500	20	14	9.5
2500	3000	21	16	11

- Accuracies of model GSR-R are categorized into normal and high accuracy grades by model number as indicated in Table28.

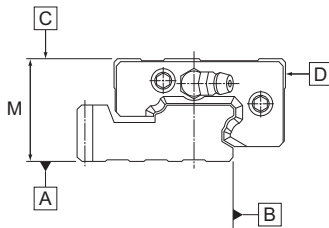


Fig.20

Table28 Accuracy Standard for GSR-R

Unit: mm

Model No.	Accuracy standards	Normal grade	High-accuracy grade
	Item	No Symbol	H
25 30 35	Dimensional tolerance in height M	±0.03	
	Running parallelism of surface C against surface A	as shown in Table29	
	Running parallelism of surface D against surface B	as shown in Table29	

Table29 LM Rail Length and Running Parallelism by Accuracy Standard

Unit: μm

LM rail length (mm)		Running Parallelism Values	
Above	Or less	Normal grade	High-accuracy grade
—	50	5	3
50	80	5	3
80	125	5	3
125	200	5	3.5
200	250	6	4
250	315	7	4.5
315	400	8	5
400	500	9	6
500	630	11	7
630	800	12	8.5
800	1000	13	9
1000	1250	15	11
1250	1600	16	12
1600	2000	18	13

## Point of Selection

## Determining the Accuracy

- Accuracies of models SRS, RSX, RSR, RSR-M1, and RSR-W are categorized into normal, high accuracy, and precision grades by model number as indicated in Table30.

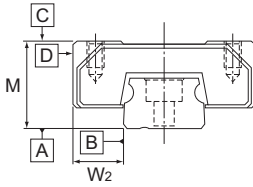


Fig.21

Table30 Accuracy Standards for Models SRS, RSX, RSR, RSR-M1, and RSR-W

Unit: mm

Model No.	Accuracy standards	Normal grade	High-accuracy grade	Precision grade
	Item	No Symbol	H	P
3 5	Dimensional tolerance in height M	±0.03	—	±0.015
	Difference in height M	0.015	—	0.005
	Dimensional tolerance in width $W_2$	±0.03	—	±0.015
	Difference in width $W_2$	0.015	—	0.005
	Running parallelism of surface C against surface A	as shown in Table31		
	Running parallelism of surface D against surface B	as shown in Table31		
7 9 12 14 15 20 25	Dimensional tolerance in height M	±0.04	±0.02	±0.01
	Difference in height M	0.03	0.015	0.007
	Dimensional tolerance in width $W_2$	±0.04	±0.025	±0.015
	Difference in width $W_2$	0.03	0.02	0.01
	Running parallelism of surface C against surface A	as shown in Table32		
	Running parallelism of surface D against surface B	as shown in Table32		

Table31 LM Rail Length and Running Parallelism for Models SRS5, RSR3 and RSR5 by Accuracy Standard

Unit:  $\mu\text{m}$ 

LM rail length (mm)		Running Parallelism Values	
Above	Or less	Normal grade	Precision grade
—	25	2.5	1.5
25	50	3.5	2
50	100	5.5	3
100	150	7	4
150	200	8.4	5

Table32 LM Rail Length and Running Parallelism for Models SRS7 to SRS25, RSX, and RSR7 to RSR25 by Accuracy Standard  
Unit:  $\mu\text{m}$ 

LM rail length (mm)		Running Parallelism Values		
Above	Or less	Normal grade	High-accuracy grade	Precision grade
—	40	8	4	1
40	70	10	4	1
70	100	11	4	2
100	130	12	5	2
130	160	13	6	2
160	190	14	7	2
190	220	15	7	3
220	250	16	8	3
250	280	17	8	3
280	310	17	9	3
310	340	18	9	3
340	370	18	10	3
370	400	19	10	3
400	430	20	11	4
430	460	20	12	4
460	520	21	12	4
520	550	22	12	4
550	640	22	13	4
640	670	23	13	4
670	700	23	13	5
700	820	23	14	5
820	850	24	14	5
850	970	24	15	5
970	1030	25	16	5
1030	1150	25	16	6
1150	1330	26	17	6
1330	1420	27	18	6
1420	1510	27	18	7
1510	1830	28	19	7
1830	2000	28	19	8

- Accuracies of model MX are categorized into normal and precision grades by model number as indicated in Table33.

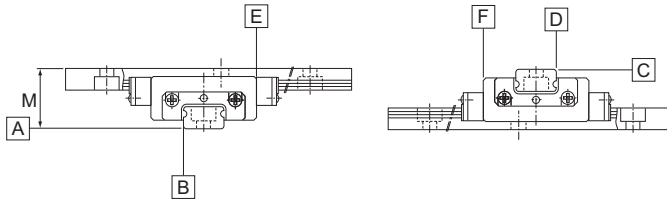


Fig.22

Table33 Accuracy Standard for Model MX

Unit: mm

Model No.	Accuracy standards	Normal grade	Precision grade
	Item	No Symbol	P
5	Difference in height M	0.015	0.005
	Perpendicularity of surface D against surface B	0.003	0.002
	Running parallelism of surface E against surface B	as shown in Table34	
	Running parallelism of surface F against surface D	as shown in Table34	
7	Difference in height M	0.03	0.007
	Perpendicularity of surface D against surface B	0.01	0.005
	Running parallelism of surface E against surface B	as shown in Table35	
	Running parallelism of surface F against surface D	as shown in Table35	

Table35 LM Rail Length and Running Parallelism for Model MX7 by Accuracy Standard

Unit:  $\mu\text{m}$ 

LM rail length (mm)		Running Parallelism Values	
Above	Or less	Normal grade	Precision grade
—	40	8	1
40	70	10	1
70	100	11	2
100	130	12	2
130	160	13	2
160	190	14	2
190	220	15	3
220	250	16	3
250	280	17	3
280	310	17	3
310	340	18	3
340	370	18	3
370	400	19	3

Table34 LM Rail Length and Running Parallelism for Model MX5 by Accuracy Standard

Unit:  $\mu\text{m}$ 

LM rail length (mm)		Running Parallelism Values	
Above	Or less	Normal grade	Precision grade
—	25	2.5	1.5
25	50	3.5	2
50	100	5.5	3
100	150	7	4
150	200	8.4	5



- Accuracies of model SRW are categorized into precision, super precision and ultra precision grades by model number as indicated in Table36.

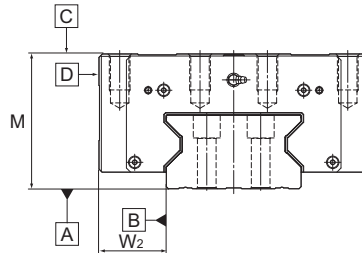


Fig.23

Table36 Accuracy Standard for Model SRW

Unit: mm

Model No.	Accuracy standards	Precision grade	Super precision grade	Ultra precision grade
		P	SP	UP
70 85	Dimensional tolerance in height M	0 -0.05	0 -0.03	0 -0.015
	Difference in height M	0.007	0.005	0.003
	Dimensional tolerance in width $W_2$	0 -0.04	0 -0.025	0 -0.015
	Difference in width $W_2$	0.007	0.005	0.003
	Running parallelism of surface C against surface A	as shown in Table37		
	Running parallelism of surface D against surface B	as shown in Table37		
100	Dimensional tolerance in height M	0 -0.05	0 -0.04	0 -0.03
	Difference in height M	0.01	0.007	0.005
	Dimensional tolerance in width $W_2$	0 -0.05	0 -0.04	0 -0.03
	Difference in width $W_2$	0.01	0.007	0.005
	Running parallelism of surface C against surface A	as shown in Table37		
	Running parallelism of surface D against surface B	as shown in Table37		
130 150	Dimensional tolerance in height M	0 -0.05	0 -0.04	0 -0.03
	Difference in height M	0.01	0.007	0.005
	Dimensional tolerance in width $W_2$	0 -0.05	0 -0.04	0 -0.03
	Difference in width $W_2$	0.01	0.007	0.005
	Running parallelism of surface C against surface A	as shown in Table37		
	Running parallelism of surface D against surface B	as shown in Table37		

Table37 LM Rail Length and Running Parallelism by Accuracy Standard

Unit:  $\mu\text{m}$ 

LM rail length (mm)		Running Parallelism Values		
Above	Or less	Precision grade	Super precision grade	Ultra precision grade
—	50	2	1.5	1
50	80	2	1.5	1
80	125	2	1.5	1
125	200	2	1.5	1
200	250	2.5	1.5	1
250	315	3	1.5	1
315	400	3.5	2	1.5
400	500	4.5	2.5	1.5
500	630	5	3	2
630	800	6	3.5	2
800	1000	6.5	4	2.5
1000	1250	7.5	4.5	3
1250	1600	8	5	4
1600	2000	8.5	5.5	4.5
2000	2500	9.5	6	5
2500	3090	11	6.5	5.5

- Accuracies of model EPF are categorized into normal, high accuracy and precision grades by model number as indicated in Table38.

Table38 Accuracy Standard for Model EPF

Unit: mm

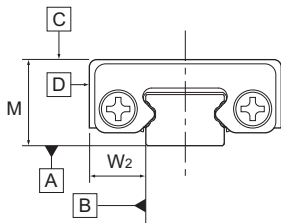


Fig.24

Model No.	Accuracy Standards	Normal grade	High-accuracy grade	Precision grade
		No Symbol	H	P
7M 9M 12M 15M	Dimensional tolerance in height M	±0.04	±0.02	±0.01
	Difference in height M	0.03	0.015	0.007
	Dimensional tolerance in width $W_2$	±0.04	±0.025	±0.015
	Running parallelism of surface C against surface A <sup>(Note)</sup>	0.008	0.004	0.001
	Running parallelism of surface D against surface B <sup>(Note)</sup>	0.008	0.004	0.001

(Note) If the stroke is more than 40 mm, contact THK.

- Accuracies of model SR-MS are categorized into precision, super precision and ultra precision grades by model number as indicated in Table39.

Table40 LM Rail Length and Running Parallelism by Accuracy Standard

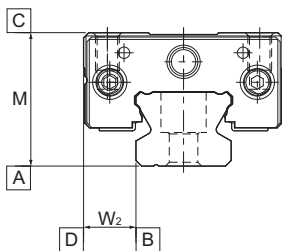
Unit:  $\mu\text{m}$ 

Fig.25

Table39 Accuracy Standard for Model SR-MS

Unit: mm

Model No.	Accuracy Standards	Precision grade	Super precision grade	Ultra precision grade
	Item	P	SP	UP
15 20	Dimensional tolerance in height M	0 -0.03	0 -0.015	0 -0.008
	Difference in Height M	0.006	0.004	0.003
	Dimensional tolerance in width $W_2$	0 -0.02	0 -0.015	0 -0.008
	Difference in Width $W_2$	0.006	0.004	0.003
	Running parallelism of surface C against surface A	as shown in Table40		
	Running parallelism of surface D against surface B	as shown in Table40		

LM rail length (mm)		Running Parallelism Values		
Above	Or less	Precision grade	Super precision grade	Ultra precision grade
		P	SP	UP
—	50	2	1.5	1
50	80	2	1.5	1
80	125	2	1.5	1
125	200	2	1.5	1
200	250	2.5	1.5	1
250	315	3	1.5	1
315	400	3.5	2	1.5

**LM Guide**

# **Features and Dimensions of Each Model**

## Structure and Features of the Caged Ball LM Guide

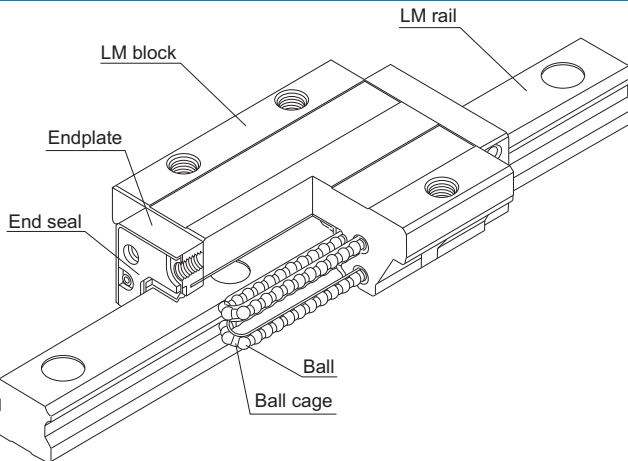


Fig.1 Structural Drawing of the Caged Ball LM Guide Model SHS

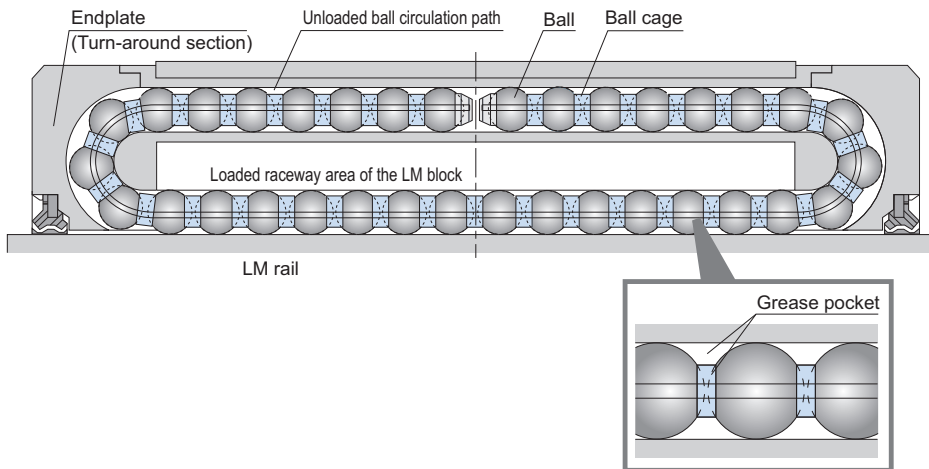


Fig.2 Circulation Structure inside the LM Block of the Caged Ball LM Guide

With the Caged Ball LM Guide, the use of a ball cage allows lines of evenly spaced balls to circulate, thus to eliminate friction between the balls.

In addition, grease held in a space between the ball circulation path and the ball cage (grease pocket) is applied on the contact surface between each ball and the ball cage as the ball rotates, forming an oil film on the ball surface. As a result, an oil film is not easily broken.

## Advantages of the Ball Cage Technology

- (1) The absence of friction between balls, together with increased grease retention, achieves long service life and long-term maintenance-free (lubrication-free) operation.
- (2) The absence of ball-to-ball collision achieves low noise and acceptable running sound.
- (3) The absence of friction between balls achieves low heat generation and high speed operation.
- (4) The circulation of lines of evenly spaced balls ensures smooth ball rotation.
- (5) The absence of friction between balls allows high grease retention and low dust generation.

### [Long Service Life and Long-term Maintenance-free Operation]

#### ● Data on Long Service Life and Long-term Maintenance-free Operation

Use of a ball cage eliminates friction between balls and increases grease retention, thus to achieve long service life and long-term maintenance-free operation.

[Condition]

Speed : 60m/min

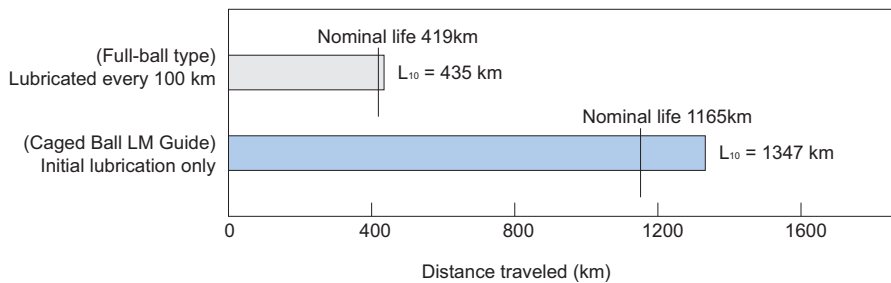
Stroke : 350mm

Acceleration: 9.8m/s<sup>2</sup>

Orientation : horizontal

Load : Caged Ball LM Guide : 11.1kN

Full-ball type : 9.8kN

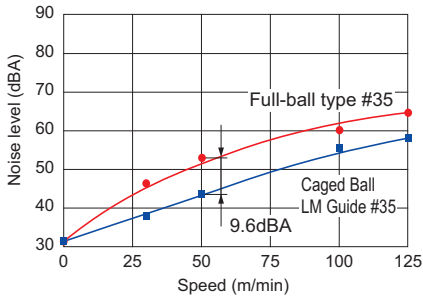


Caged Ball LM Guide and Full-Ball Type Durability Testing Data

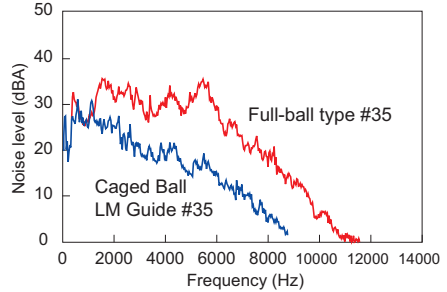
## [Low Noise, Acceptable Running Sound]

### ● Noise Level Data

Since the ball circulation path inside the LM block is made of resin, metallic noise between balls and the LM block is eliminated. In addition, use of a ball cage eliminates metallic noise of ball-to-ball collision, allowing a low noise level to be maintained even at high speed.



Comparison of Noise Levels between Caged Ball LM Guide #35 and Full-Ball Type #35



Comparison of Noise Levels between Caged Ball LM Guide #35 and Full-Ball Type #35 (at speed of 50 m/min)

## [High Speed]

### ● High-speed Durability Test Data

Since use of a ball cage eliminates friction between balls, only a low level of heat is generated and superhigh speed is achieved.

[Condition]

Model No. : Caged Ball LM Guide Model SHS65LVSS

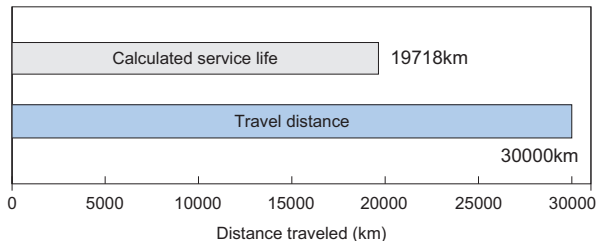
Speed : 200m/min

Stroke : 2500mm

Lubrication : initial lubrication only

Applied load: 34.5kN

Acceleration: 1.5G



SHS65LVSS High-speed Durability Test Data

Grease remains, and no anomaly is observed in the balls and grease.



Detail view of the ball cage

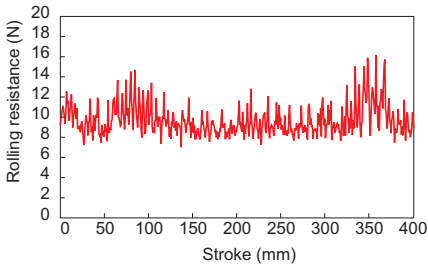
## Features and Dimensions of Each Model

### Structure and Features of the Caged Ball LM Guide

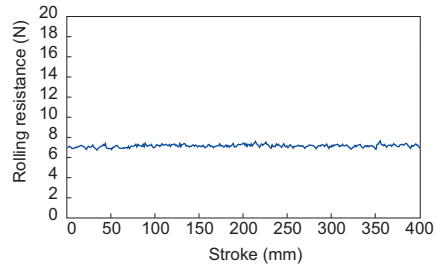
#### [Smooth Motion]

##### ● Rolling Resistance Data

Use of a ball cage allows the balls to be uniformly aligned and prevents a line of balls from meandering as they enter the LM block. This enables smooth and stable motion to be achieved, minimizes fluctuations in rolling resistance, and ensures high accuracy, in any mounting orientation.



Rolling Resistance Fluctuation Data with Full-Ball Type #25  
(Vertical-use feeding speed: 1 mm/s)

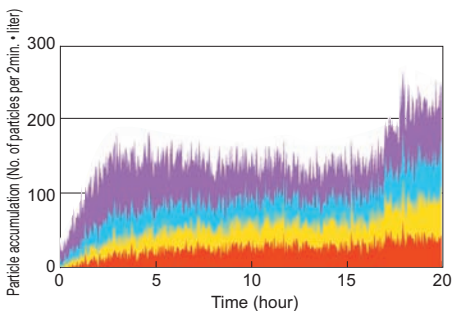
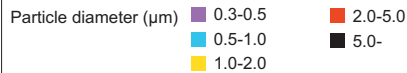


Rolling Resistance Fluctuation Data with Caged Ball LM Guide #25  
(Vertical-use feeding speed: 1 mm/s)

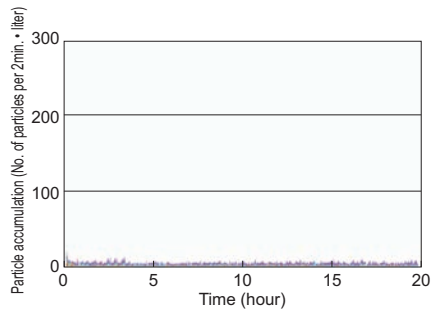
#### [Low dust generation]

##### ● Low Dust Generation Data

In addition to friction between balls, metallic contact has also been eliminated by using resin for the through holes. Furthermore, the Caged Ball LM Guide has a high level of grease retention and minimizes fly loss of grease, thus to achieve superbly low dust generation.



Full-Ball Type Dust Generation Data

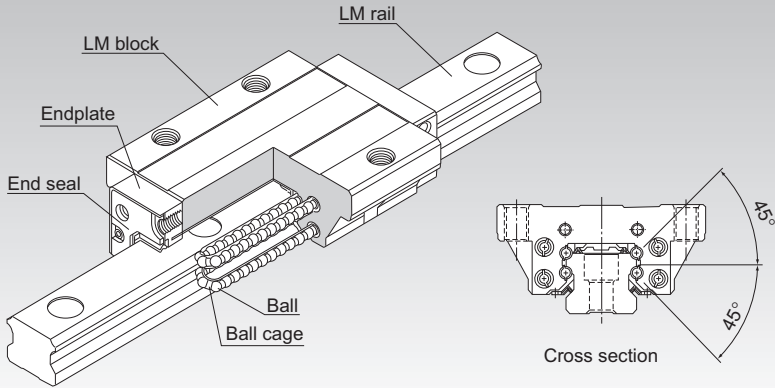


Caged Ball LM Guide Model SSR20  
Dust Generation Data

# SHS



## Caged Ball LM Guide Global Standard Size Model SHS



\*For the Ball Cage, see **A1-88**.

<b>Point of Selection</b>	<b>A1-10</b>
<b>Point of Design</b>	<b>A1-454</b>
<b>Options</b>	<b>A1-477</b>
<b>Model No.</b>	<b>A1-543</b>
<b>Precautions on Use</b>	<b>A1-549</b>
<b>Accessories for Lubrication</b>	<b>A24-1</b>
<b>Mounting Procedure and Maintenance</b>	<b>B1-89</b>
Equivalent moment factor	<b>A1-43</b>
Rated Loads in All Directions	<b>A1-59</b>
Equivalent factor in each direction	<b>A1-61</b>
Radial Clearance	<b>A1-71</b>
Accuracy Standards	<b>A1-77</b>
Shoulder Height of the Mounting Base and the Corner Radius	<b>A1-464</b>
Permissible Error of the Mounting Surface	<b>A1-470</b>
Dimensions of Each Model with an Option Attached	<b>A1-491</b>



---

## Structure and Features

---

Balls roll in four rows of raceways precision-ground on an LM rail and an LM block, and ball cages and endplates incorporated in the LM block allow the balls to circulate.

Each row of balls is placed at a contact angle of  $45^\circ$  so that the rated loads applied to the LM block are uniform in the four directions (radial, reverse-radial, and lateral directions), enabling the LM Guide to be used in all orientations. In addition, the LM block can receive a well-balanced preload, increasing the rigidity in the four directions while maintaining a constant, low friction coefficient.

### [4-way Equal Load]

Each row of balls is placed at a contact angle of  $45^\circ$  so that the rated loads applied to the LM block are uniform in the four directions (radial, reverse radial and lateral directions), enabling the LM Guide to be used in all orientations and in extensive applications.

### [Self-adjustment Capability]

The self-adjustment capability through front-to-front configuration of THK's unique circular-arc grooves (DF set) enables a mounting error to be absorbed even under a preload, thus to achieve highly accurate, smooth straight motion.

### [Global Standard Size]

SHS is designed to have dimensions almost the same as that of Full Ball LM Guide model HSR, which THK as a pioneer of the linear motion system has developed and is practically a global standard size.

### [Stainless Steel Type also Available]

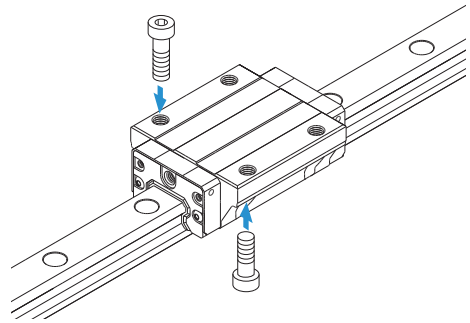
A special type whose LM block, LM rail, and balls are made of stainless steel is also available. Applicable only to models 15 through 25.

## Types and Features

### Model SHS-C

The flange of the LM block has tapped holes.  
Can be mounted from the top or the bottom.  
Used in places where the table cannot have through holes for mounting bolts.

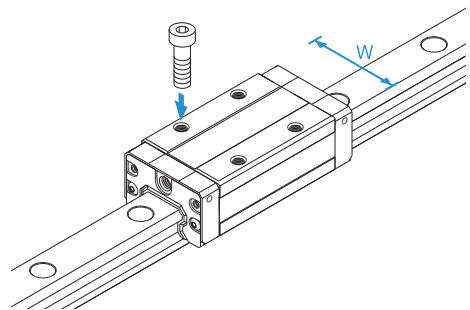
Specification Table⇒ **A1-96**



### Model SHS-V

With this type, the LM block has a smaller width (W) and tapped holes.  
Used in places where the space for table width is limited.

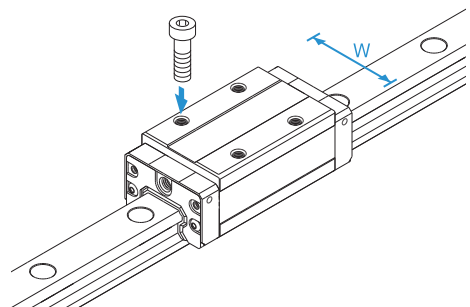
Specification Table⇒ **A1-98**



### Model SHS-R

The LM block has a smaller width (W) and the mounting holes are tapped.  
It exceeds the height dimension of full-ball type LM Guide HSR-R.

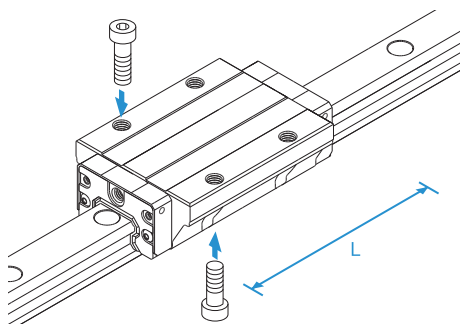
Specification Table⇒ **A1-100**



## Model SHS-LC

The LM block has the same cross-sectional shape as model SHS-C, but has a longer overall LM block length (L) and a greater rated load.

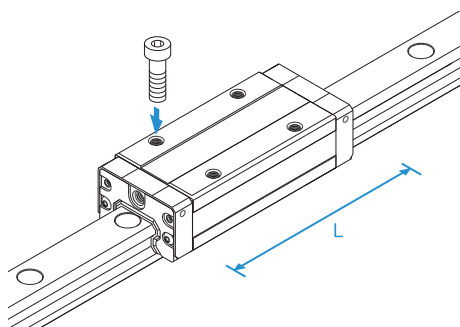
Specification Table⇒ **A**1-96



## Model SHS-LV

The LM block has the same cross-sectional shape as model SHS-V, but has a longer overall LM block length (L) and a greater rated load.

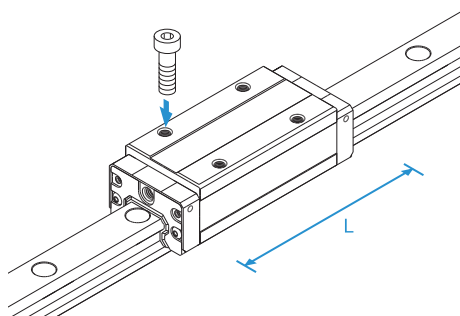
Specification Table⇒ **A**1-98



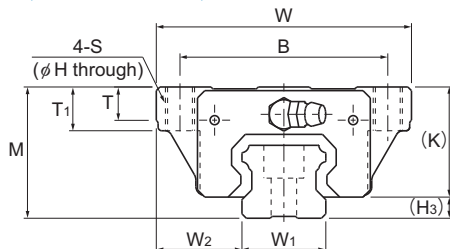
## Model SHS-LR

The LM block has the same cross-sectional shape as model SHS-R, but has a longer overall LM block length (L) and a greater rated load.

Specification Table⇒ **A**1-100



# Models SHS-C, SHS-CM, SHS-LC and SHS-LCM



Model No.	Outer dimensions			LM block dimensions											Pilot hole for side nipple		
	Height	Width	Length	B	C	S	H	L <sub>1</sub>	T	T <sub>1</sub>	K	N	E	Grease nipple	e <sub>0</sub>	f <sub>0</sub>	D <sub>0</sub>
	M	W	L														
SHS 15C SHS 15CM	24	47	64.4	38	30	M5	4.4	48	5.9	8	21	5.5	5.5	PB1021B	4	4	3
SHS 15LC SHS 15LCM	24	47	79.4	38	30	M5	4.4	63	5.9	8	21	5.5	5.5	PB1021B	4	4	3
SHS 20C SHS 20CM	30	63	79	53	40	M6	5.4	59	7.2	10	25.4	6.5	12	B-M6F	4.3	5.3	3
SHS 20LC SHS 20LCM	30	63	98	53	40	M6	5.4	78	7.2	10	25.4	6.5	12	B-M6F	4.3	5.3	3
SHS 25C SHS 25CM	36	70	92	57	45	M8	6.8	71	9.1	12	30.2	7.5	12	B-M6F	4.5	5.5	3
SHS 25LC SHS 25LCM	36	70	109	57	45	M8	6.8	88	9.1	12	30.2	7.5	12	B-M6F	4.5	5.5	3
SHS 30C SHS 30LC	42	90	106 131	72	52	M10	8.5	80 105	11.5	15	35	8	12	B-M6F	5.8	6	5.2
SHS 35C SHS 35LC	48	100	122 152	82	62	M10	8.5	93 123	11.5	15	40.5	8	12	B-M6F	6.5	5.5	5.2
SHS 45C SHS 45LC	60	120	140 174	100	80	M12	10.5	106 140	14.1	18	51.1	10.5	16	B-PT1/8	8	8	5.2
SHS 55C SHS 55LC	70	140	171 213	116	95	M14	12.5	131 173	16	21	57.3	11	16	B-PT1/8	10	8	5.2
SHS 65C SHS 65LC	90	170	221 272	142	110	M16	14.5	175 226	18.8	24	71	19	16	B-PT1/8	10	12	5.2

## Model number coding

**SHS25 LC 2 QZ KKHH C0 M +1200L P Z T M - II**

Model number

Type of LM block

With QZ Lubricator

Contamination protection accessory symbol (\*1)

Stainless steel LM block

LM rail length (in mm)

With steel tape

Stainless steel LM rail

No. of LM blocks used on the same rail

Radial clearance symbol (\*2)  
Normal (No symbol)  
Light preload (C1)  
Medium preload (C0)

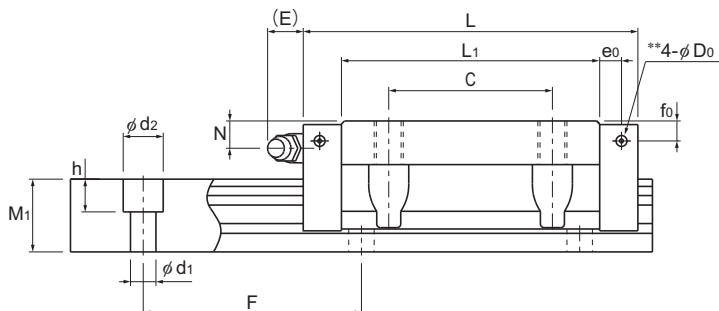
Accuracy symbol (\*3)  
Normal grade (No Symbol)  
High accuracy grade (H)  
Precision grade (P)  
Super precision grade (SP)  
Ultra precision grade (UP)

Symbol for LM rail jointed use  
Symbol for No. of rails used on the same plane (\*4)

(\*1) See contamination protection accessory on **A1-516**. (\*2) See **A1-71**. (\*3) See **A1-77**. (\*4) See **A1-13**.

(Note) This model number indicates that a single-rail unit constitutes one set. (i.e., required number of sets when 2 rails are used in parallel is 2 at a minimum.)

Those models equipped with QZ Lubricator cannot have a grease nipple. When desiring a grease nipple for a model attached with QZ, contact THK.



Unit: mm

H <sub>3</sub>	LM rail dimensions						Basic load rating		Static permissible moment kN·m*					Mass	
	W <sub>1</sub> 0 -0.05	Width	Height	Pitch	d <sub>1</sub> × d <sub>2</sub> × h	Length*	C	C <sub>0</sub>	M <sub>A</sub>		M <sub>B</sub>		M <sub>C</sub>	LM block kg	LM rail kg/m
		W <sub>2</sub>	M <sub>1</sub>	F		Max			1 block	Double blocks	1 block	Double blocks	1 block		
3	15	16	13	60	4.5 × 7.5 × 5.3	3000 (1240)	14.2	24.2	0.175	0.898	0.175	0.898	0.16	0.23	1.3
3	15	16	13	60	4.5 × 7.5 × 5.3	3000 (1240)	17.2	31.9	0.296	1.43	0.296	1.43	0.212	0.29	1.3
4.6	20	21.5	16.5	60	6 × 9.5 × 8.5	3000 (1480)	22.3	38.4	0.334	1.75	0.334	1.75	0.361	0.46	2.3
4.6	20	21.5	16.5	60	6 × 9.5 × 8.5	3000 (1480)	28.1	50.3	0.568	2.8	0.568	2.8	0.473	0.61	2.3
5.8	23	23.5	20	60	7 × 11 × 9	3000 (2020)	31.7	52.4	0.566	2.75	0.566	2.75	0.563	0.72	3.2
5.8	23	23.5	20	60	7 × 11 × 9	3000 (2020)	36.8	64.7	0.848	3.98	0.848	3.98	0.696	0.89	3.2
7	28	31	23	80	9 × 14 × 12	3000	44.8 54.2	66.6 88.8	0.786 1.36	4.08 6.6	0.786 1.36	4.08 6.6	0.865 1.15	1.34 1.66	4.5
7.5	34	33	26	80	9 × 14 × 12	3000	62.3 72.9	96.6 127	1.38 2.34	6.76 10.9	1.38 2.34	6.76 10.9	1.53 2.01	1.9 2.54	6.2
8.9	45	37.5	32	105	14 × 20 × 17	3090	82.8 100	126 166	2.05 3.46	10.1 16.3	2.05 3.46	10.1 16.3	2.68 3.53	3.24 4.19	10.4
12.7	53	43.5	38	120	16 × 23 × 20	3060	128 161	197 259	3.96 6.68	19.3 31.1	3.96 6.68	19.3 31.1	4.9 6.44	5.35 6.97	14.5
19	63	53.5	53	150	18 × 26 × 22	3000	205 253	320 408	8.26 13.3	40.4 62.6	8.26 13.3	40.4 62.6	9.4 11.9	10.7 13.7	23.7

Note) The maximum length under "Length\*" indicates the standard maximum length of an LM rail. (See **A1-102**.)

Static permissible moment\* 1 block: the static permissible moment with one LM block

Double blocks: static permissible moment when two LM blocks are in close contact with each other

Total block length L

: The total block length L shown in the table is the length with the dust proof parts, code UU or SS.  
If other contamination protection accessories or lubricant equipment are installed, the total block length will increase.

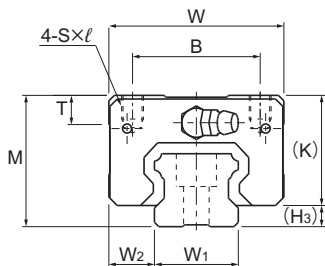
(See **A1-491** or **A1-512**)

\*\* A pilot hole for side nipples, when a grease nipple for a model equipped with LaCS or QZ Lubricator is needed.

Pilot holes for side nipples are not drilled through for models other than those stated above.

For grease nipple mount machining, contact THK.

## Models SHS-V, SHS-VM, SHS-LV and SHS-LVM



Model No.	Outer dimensions			LM block dimensions										Pilot hole for side nipple		
	Height M	Width W	Length L	B	C	S×ℓ	L <sub>1</sub>	T	K	N	E	Grease nipple	e <sub>0</sub>	f <sub>0</sub>	D <sub>0</sub>	
SHS 15V SHS 15VM	24	34	64.4	26	26	M4×4	48	5.9	21	5.5	5.5	PB1021B	4	4	3	
SHS 15LV SHS 15LVM	24	34	79.4	26	34	M4×4	63	5.9	21	5.5	5.5	PB1021B	4	4	3	
SHS 20V SHS 20VM	30	44	79	32	36	M5×5	59	8	25.4	6.5	12	B-M6F	4.3	5.3	3	
SHS 20LV SHS 20LVM	30	44	98	32	50	M5×5	78	8	25.4	6.5	12	B-M6F	4.3	5.3	3	
SHS 25V SHS 25VM	36	48	92	35	35	M6×6.5	71	8	30.2	7.5	12	B-M6F	4.5	5.5	3	
SHS 25LV SHS 25LVM	36	48	109	35	50	M6×6.5	88	8	30.2	7.5	12	B-M6F	4.5	5.5	3	
SHS 30V SHS 30LV	42	60	106 131	40	40 60	M8×8	80 105	8	35	8	12	B-M6F	5.8	6	5.2	
SHS 35V SHS 35LV	48	70	122 152	50	50 72	M8×10	93 123	14.7	40.5	8	12	B-M6F	6.5	5.5	5.2	
SHS 45V SHS 45LV	60	86	140 174	60	60 80	M10×15	106 140	14.9	51.1	10.5	16	B-PT1/8	8	8	5.2	
SHS 55V SHS 55LV	70	100	171 213	75	75 95	M12×15	131 173	19.4	57.3	11	16	B-PT1/8	10	8	5.2	
SHS 65V SHS 65LV	90	126	221 272	76	70 120	M16×20	175 226	19.5	71	19	16	B-PT1/8	10	12	5.2	

### Model number coding

**SHS30 V 2 QZ KKHH C1 M +1240L P Z T M -II**

Model number

Type of LM block

With QZ Lubricator

Contamination protection accessory symbol (\*1)

Stainless steel LM block

LM rail length (in mm)

With steel tape

Stainless steel LM rail

No. of LM blocks used on the same rail

Radial clearance symbol (\*2)  
Normal (No symbol)  
Light preload (C1)  
Medium preload (C0)

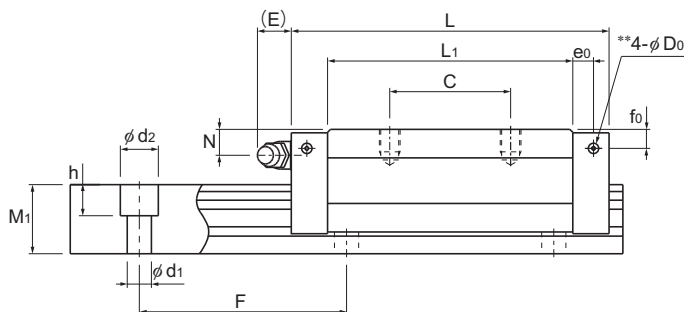
Accuracy symbol (\*3)  
Normal grade (No Symbol)  
High accuracy grade (H)  
Precision grade (P)  
Super precision grade (SP)  
Ultra precision grade (UP)

Symbol for LM rail jointed use  
Symbol for No. of rails used on the same plane (\*4)

(\*1) See contamination protection accessory on **■1-516**. (\*2) See **■1-71**. (\*3) See **■1-77**. (\*4) See **■1-13**.

Note) This model number indicates that a single-rail unit constitutes one set. (i.e., required number of sets when 2 rails are used in parallel is 2 at a minimum.)

Those models equipped with QZ Lubricator cannot have a grease nipple. When desiring a grease nipple for a model attached with QZ, contact THK.



Unit: mm

H <sub>3</sub>	LM rail dimensions							Basic load rating		Static permissible moment kN*m*					Mass	
	W <sub>1</sub> 0 -0.05	W <sub>2</sub>	M <sub>1</sub>	F	d <sub>1</sub> × d <sub>2</sub> × h	Length* Max	C	C <sub>0</sub>	M <sub>A</sub>		M <sub>B</sub>		M <sub>C</sub>	LM block kg	LM rail kg/m	
									1 block	Double blocks	1 block	Double blocks				1 block
3	15	9.5	13	60	4.5 × 7.5 × 5.3	3000 (1240)	14.2	24.2	0.175	0.898	0.175	0.898	0.16	0.19	1.3	
3	15	9.5	13	60	4.5 × 7.5 × 5.3	3000 (1240)	17.2	31.9	0.296	1.43	0.296	1.43	0.212	0.22	1.3	
4.6	20	12	16.5	60	6 × 9.5 × 8.5	3000 (1480)	22.3	38.4	0.334	1.75	0.334	1.75	0.361	0.35	2.3	
4.6	20	12	16.5	60	6 × 9.5 × 8.5	3000 (1480)	28.1	50.3	0.568	2.8	0.568	2.8	0.473	0.46	2.3	
5.8	23	12.5	20	60	7 × 11 × 9	3000 (2020)	31.7	52.4	0.566	2.75	0.566	2.75	0.563	0.54	3.2	
5.8	23	12.5	20	60	7 × 11 × 9	3000 (2020)	36.8	64.7	0.848	3.98	0.848	3.98	0.696	0.67	3.2	
7	28	16	23	80	9 × 14 × 12	3000	44.8 54.2	66.6 88.8	0.786 1.36	4.08 6.6	0.786 1.36	4.08 6.6	0.865 1.15	0.94 1.16	4.5	
7.5	34	18	26	80	9 × 14 × 12	3000	62.3 72.9	96.6 127	1.38 2.34	6.76 10.9	1.38 2.34	6.76 10.9	1.53 2.01	1.4 1.84	6.2	
8.9	45	20.5	32	105	14 × 20 × 17	3090	82.8 100	126 166	2.05 3.46	10.1 16.3	2.05 3.46	10.1 16.3	2.68 3.53	2.54 3.19	10.4	
12.7	53	23.5	38	120	16 × 23 × 20	3060	128 161	197 259	3.96 6.68	19.3 31.1	3.96 6.68	19.3 31.1	4.9 6.44	4.05 5.23	14.5	
19	63	31.5	53	150	18 × 26 × 22	3000	205 253	320 408	8.26 13.3	40.4 62.6	8.26 13.3	40.4 62.6	9.4 11.9	8.41 10.7	23.7	

Note) The maximum length under "Length\*" indicates the standard maximum length of an LM rail. (See **A1-102**.)

Static permissible moment\* 1 block: the static permissible moment with one LM block

Double blocks: static permissible moment when two LM blocks are in close contact with each other

Total block length L

: The total block length L shown in the table is the length with the dust proof parts, code UU or SS.

If other contamination protection accessories or lubricant equipment are installed, the total block length will increase.

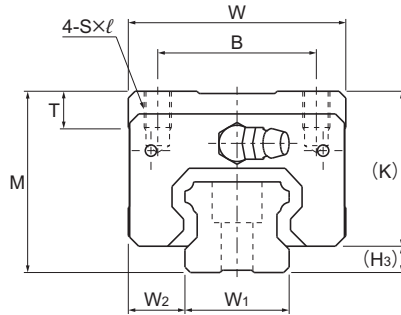
(See **A1-491** or **A1-512**)

\*\* A pilot hole for side nipples, when a grease nipple for a model equipped with LaCS or QZ Lubricator is needed.

Pilot holes for side nipples are not drilled through for models other than those stated above.

For grease nipple mount machining, contact THK.

# Models SHS-R, SHS-RM, SHS-LR and SHS-LRM



Model No.	Outer dimensions			LM block dimensions										Pilot hole for side nipple		
	Height	Width	Length	B	C	S×ℓ	L <sub>1</sub>	T	K	N	E	Grease nipple	e <sub>o</sub>	f <sub>o</sub>	D <sub>o</sub>	
	M	W	L													
SHS 15R SHS 15RM	28	34	64.4	26	26	M4×5	48	5.9	25	9.5	5.5	PB1021B	4	8	3	
SHS 25R SHS 25RM	40	48	92	35	35	M6×8	71	8	34.2	11.5	12	B-M6F	6	9.5	3	
SHS 25LR SHS 25LRM	40	48	109	35	50	M6×8	88	8	34.2	11.5	12	B-M6F	6	9.5	3	
SHS 30R SHS 30LR	45	60	106 131	40	40 60	M8×10	80 105	8	38	11	12	B-M6F	5.8	9	5.2	
SHS 35R SHS 35LR	55	70	122 152	50	50 72	M8×12	93 123	14.7	47.5	15	12	B-M6F	6.5	12.5	5.2	
SHS 45R SHS 45LR	70	86	140 174	60	60 80	M10×17	106 140	14.9	61.1	20.5	16	B-PT1/8	8	18	5.2	
SHS 55R SHS 55LR	80	100	171 213	75	75 95	M12×18	131 173	19.4	67.3	21	16	B-PT1/8	10	18	5.2	

## Model number coding

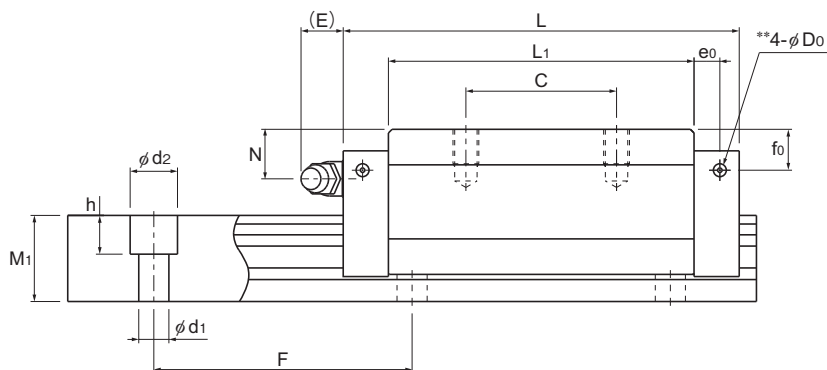
<b>SHS45</b>	<b>LR</b>	<b>2</b>	<b>QZ</b>	<b>KKHH</b>	<b>C0</b>	<b>M</b>	<b>+1200L</b>	<b>P</b>	<b>T</b>	<b>M</b>	<b>-II</b>								
Model number	Type of LM block	No. of LM blocks used on the same rail	With QZ Lubricator	Contamination protection accessory symbol (*1)	Radial clearance symbol (*2)	Normal (No symbol)	Light preload (C1)	Medium preload (C0)	Stainless steel LM block	LM rail length (in mm)	Accuracy symbol (*3)	Normal grade (No Symbol)	High accuracy grade (H)	Precision grade (P)	Super precision grade (SP)	Ultra precision grade (UP)	Stainless steel LM rail	Symbol for LM rail jointed use	No. of rails used on the same plane (*4)

(\*1) See contamination protection accessory on **A1-516**. (\*2) See **A1-71**. (\*3) See **A1-77**. (\*4) See **A1-13**.

Note) This model number indicates that a single-rail unit constitutes one set. (i.e., required number of sets when 2 rails are used in parallel is 2 at a minimum.)

Those models equipped with QZ Lubricator cannot have a grease nipple. When desiring a grease nipple for a model attached with QZ, contact THK.





Unit: mm

H <sub>s</sub>	LM rail dimensions							Basic load rating		Static permissible moment kN·m*					Mass	
	W <sub>1</sub> 0 -0.05	W <sub>2</sub>	M <sub>1</sub>	F	d <sub>1</sub> × d <sub>2</sub> × h	Length* Max	C	C <sub>0</sub>	M <sub>A</sub>		M <sub>B</sub>		M <sub>C</sub>	LM block kg	LM rail kg/m	
									1 block	Double blocks	1 block	Double blocks	1 block			
3	15	9.5	13	60	4.5 × 7.5 × 5.3	3000 (1240)	14.2	24.2	0.175	0.898	0.175	0.898	0.16	0.22	1.3	
5.8	23	12.5	20	60	7 × 11 × 9	3000 (2020)	31.7	52.4	0.566	2.75	0.566	2.75	0.563	0.66	3.2	
5.8	23	12.5	20	60	7 × 11 × 9	3000 (2020)	36.8	64.7	0.848	3.98	0.848	3.98	0.696	0.8	3.2	
7	28	16	23	80	9 × 14 × 12	3000	44.8 54.2	66.6 88.8	0.786 1.36	4.08 6.6	0.786 1.36	4.08 6.6	0.865 1.15	1.04 1.36	4.5	
7.5	34	18	26	80	9 × 14 × 12	3000	62.3 72.9	96.6 127	1.38 2.34	6.76 10.9	1.38 2.34	6.76 10.9	1.53 2.01	1.8 2.34	6.2	
8.9	45	20.5	32	105	14 × 20 × 17	3090	82.8 100	126 166	2.05 3.46	10.1 16.3	2.05 3.46	10.1 16.3	2.68 3.53	3.24 4.19	10.4	
12.7	53	23.5	38	120	16 × 23 × 20	3060	128 161	197 259	3.96 6.68	19.3 31.1	3.96 6.68	19.3 31.1	4.9 6.44	5.05 6.57	14.5	

Note) The maximum length under "Length\*" indicates the standard maximum length of an LM rail. (See **A1-102**.)

Static permissible moment\* 1 block: the static permissible moment with one LM block

Double blocks: static permissible moment when two LM blocks are in close contact with each other

Total block length L

: The total block length L shown in the table is the length with the dust proof parts, code UU or SS. If other contamination protection accessories or lubricant equipment are installed, the total block length will increase.

(See **A1-491** or **A1-512**)

\*\* A pilot hole for side nipples, when a grease nipple for a model equipped with LaCS or QZ Lubricator is needed.

Pilot holes for side nipples are not drilled through for models other than those stated above.

For grease nipple mount machining, contact THK.

## Standard Length and Maximum Length of the LM Rail

Table1 shows the standard and maximum lengths of the SHS model rail. If a rail length longer than the listed max length is required, rails may be jointed to meet the overall length. Contact THK for details. For special rail lengths, it is recommended to use a value corresponding to the G,g dimension from the table. As the G,g dimension increases, this portion becomes less stable, and the accuracy performance is severely impacted.

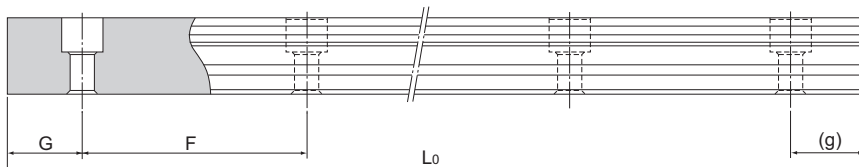


Table1 Standard Length and Maximum Length of the LM Rail for Model SHS

Unit: mm

Model No.	SHS 15	SHS 20	SHS 25	SHS 30	SHS 35	SHS 45	SHS 55	SHS 65
LM rail standard length (L <sub>0</sub> )	160	220	220	280	280	570	780	1270
	220	280	280	360	360	675	900	1570
	280	340	340	440	440	780	1020	2020
	340	400	400	520	520	885	1140	2620
	400	460	460	600	600	990	1260	
	460	520	520	680	680	1095	1380	
	520	580	580	760	760	1200	1500	
	580	640	640	840	840	1305	1620	
	640	700	700	920	920	1410	1740	
	700	760	760	1000	1000	1515	1860	
	760	820	820	1080	1080	1620	1980	
	820	940	940	1160	1160	1725	2100	
	940	1000	1000	1240	1240	1830	2220	
	1000	1060	1060	1320	1320	1935	2340	
	1060	1120	1120	1400	1400	2040	2460	
	1120	1180	1180	1480	1480	2145	2580	
	1180	1240	1240	1560	1560	2250	2700	
	1240	1360	1300	1640	1640	2355	2820	
	1360	1480	1360	1720	1720	2460	2940	
	1480	1600	1420	1800	1800	2565	3060	
1600	1720	1480	1880	1880	2670			
	1840	1540	1960	1960	2775			
	1960	1600	2040	2040	2880			
	2080	1720	2200	2200	2985			
	2200	1840	2360	2360	3090			
		1960	2520	2520				
		2080	2680	2680				
		2200	2840	2840				
		2320	3000	3000				
		2440						
Standard pitch F	60	60	60	80	80	105	120	150
G,g	20	20	20	20	20	22.5	30	35
Max length	3000 (1240)	3000 (1480)	3000 (2020)	3000	3000	3090	3060	3000

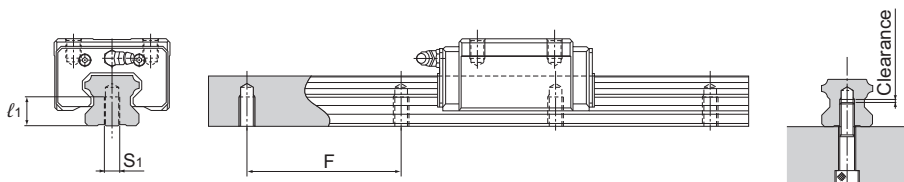
Note1) The maximum length varies with accuracy grades. Contact THK for details.

Note2) If jointed rails are not allowed and a greater length than the maximum values above is required, contact THK.

Note3) The figures in the parentheses indicate the maximum lengths of stainless steel models.

## Tapped-hole LM Rail Type of Model SHS

SHS model rails also include a type where the LM rail is tapped from the bottom. This type is useful when mounting from the bottom of the base and when increased contamination protection is desired.



- (1) Determine the bolt length so that a clearance of 2 to 5 mm is secured between the bolt end and the bottom of the tap (effective tap depth). (See figure above.)
- (2) For standard pitches of the taps, see Table1 on **A1-102**.

Table2 Dimensions of the LM Rail Tap

Unit: mm

Model No.	S <sub>1</sub>	Effective tap depth $l_1$
SHS 15	M5	8
SHS 20	M6	10
SHS 25	M6	12
SHS 30	M8	15
SHS 35	M8	17
SHS 45	M12	20
SHS 55	M14	24
SHS 65	M20	30

### Model number coding

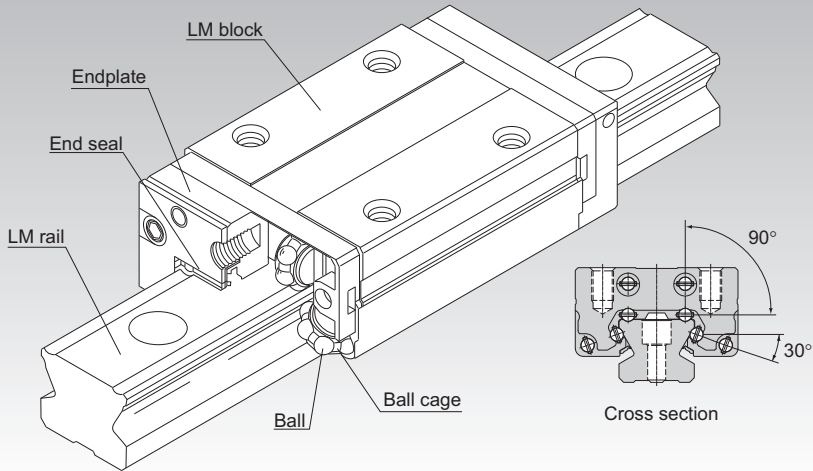
**SHS35 LC2UU +1000LH K**

Symbol for  
tapped-hole LM rail type

# SSR



## Caged Ball LM Guide Radial Type Model SSR



\*For the Ball Cage, see **A1-88**.

<b>Point of Selection</b>	<b>A1-10</b>
<b>Point of Design</b>	<b>A1-454</b>
<b>Options</b>	<b>A1-477</b>
<b>Model No.</b>	<b>A1-543</b>
<b>Precautions on Use</b>	<b>A1-549</b>
<b>Accessories for Lubrication</b>	<b>A24-1</b>
<b>Mounting Procedure and Maintenance</b>	<b>B1-89</b>
Equivalent moment factor	<b>A1-43</b>
Rated Loads in All Directions	<b>A1-59</b>
Equivalent factor in each direction	<b>A1-61</b>
Radial Clearance	<b>A1-71</b>
Accuracy Standards	<b>A1-77</b>
Shoulder Height of the Mounting Base and the Corner Radius	<b>A1-467</b>
Permissible Error of the Mounting Surface	<b>A1-470</b>
Dimensions of Each Model with an Option Attached	<b>A1-491</b>

---

## Structure and Features

---

Balls roll in four rows of raceways precision-ground on an LM rail and an LM block, and ball cages and endplates incorporated in the LM block allow the balls to circulate.

Use of the ball cage eliminates friction between balls and increases grease retention, thus to achieve low noise, high speed and long-term maintenance-free operation.

### [Compact, Radial Type]

Since it is a compactly designed model that has a low sectional height and a ball contact structure in the radial direction, this model is optimal for horizontal guide units.

### [Superb Planar Running Accuracy]

Use of a ball contact structure that is highly resistant to loads in the radial direction minimizes radial displacement under radial loads and provides stable, highly accurate motion.

### [Self-adjustment Capability]

The self-adjustment capability through front-to-front configuration of THK's unique circular-arc grooves (DF set) enables a mounting error to be absorbed even under a preload, thus to achieve highly accurate, smooth straight motion.

### [Stainless Steel Type Also Available]

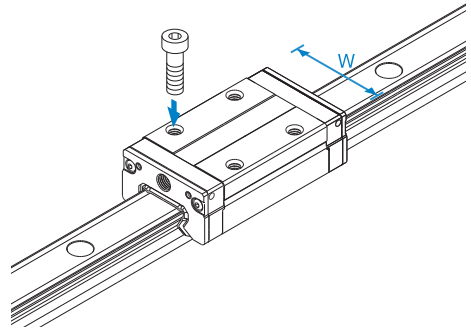
A special type whose LM block, LM rail, and balls are made of stainless steel is also available.

## Types and Features

### Model SSR-XW

With this type, the LM block has a smaller width (W) and tapped holes.

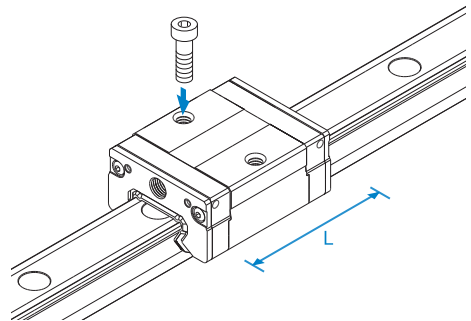
Specification Table⇒ [A1-107](#)



### Model SSR-XV

This type has the same cross-sectional shape as SSR-XW but has a shorter overall LM block length (L).

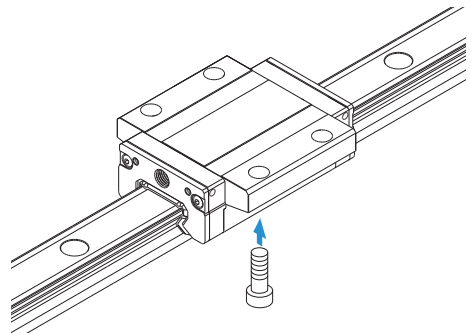
Specification Table⇒ [A1-110](#)



### Model SSR-XTB

Since the LM block can be mounted from the bottom, this type is optimal for applications where through holes for mounting bolts cannot be drilled on the table.

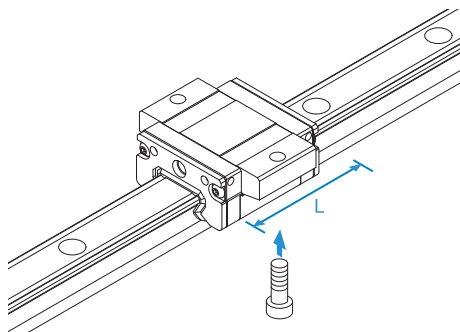
Specification Table⇒ [A1-112](#)



## Model SSR-XSB

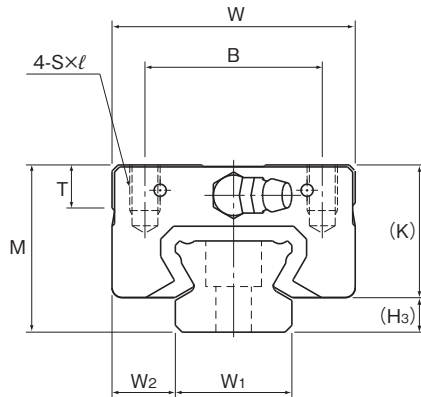
This type has the same cross-sectional shape as SSR-XTB but has a shorter overall LM block length (L).

Specification Table⇒ **A1-114**



LM Guide

## Models SSR-XW and SSR-XWM



Model No.	Outer dimensions			LM block dimensions													Grease nipple	H <sub>3</sub>
	Height	Width	Length	B	C	S × ℓ	L <sub>1</sub>	T	K	N	E	f <sub>0</sub>	e <sub>0</sub>	D <sub>0</sub>				
	M	W	L															
SSR 15XW SSR 15XWM	24	34	56.9	26	26	M4 × 7	39.9	6.5	19.5	4.5	5.5	2.7	4.5	3	PB1021B	4.5		
SSR 20XW SSR 20XWM	28	42	66.5	32	32	M5 × 8	46.6	8.2	22	5.5	12	2.9	5.2	3	B-M6F	6		
SSR 25XW SSR 25XWM	33	48	83	35	35	M6 × 9	59.8	8.4	26.2	6	12	3.3	6.8	3	B-M6F	6.8		
SSR 30XW SSR 30XWM	42	60	97	40	40	M8 × 12	70.7	11.3	32.5	8	12	4.5	7.6	4	B-M6F	9.5		
SSR 35XW	48	70	110.9	50	50	M8 × 12	80.5	13	36.5	8.5	12	4.7	8.8	4	B-M6F	11.5		

Note) The M in the model number symbol indicates that the LM block, LM rail and balls are made of stainless steel. The stainless steel provides excellent corrosion and environmental resistance.

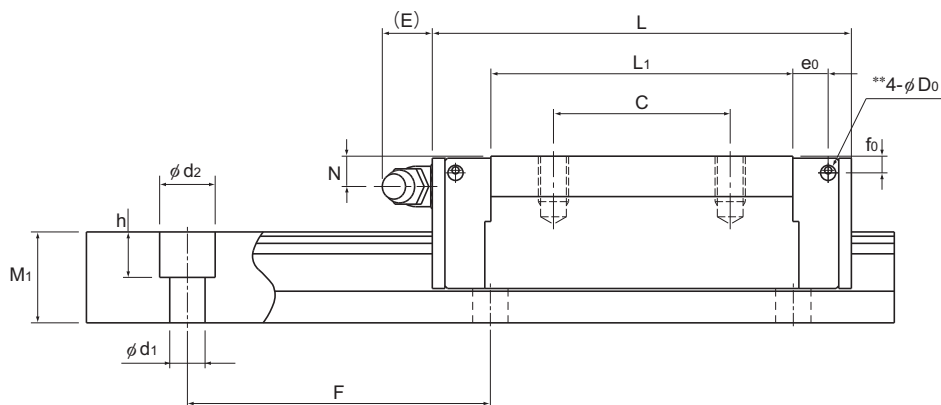
### Model number coding

Model number	Type of LM block	With QZ lubricator	Contamination protection accessory symbol (*1)	Stainless steel LM block	LM rail length (in mm)	Applied to only 15 and 25	Stainless steel LM rail	Symbol for LM rail jointed use	Symbol for No. of rails used on the same plane (*4)			
SSR25X	W	2	QZ	UU	C1	M	+1200L	Y	P	T	M	-II
	No. of LM blocks used on the same rail		Radial clearance symbol (*2) Normal (No symbol) Light preload (C1)		Accuracy symbol (*3) Normal grade (No Symbol) High accuracy grade (H)/Precision grade (P) Super precision grade (SP)/Ultra precision grade (UP)							

(\*1) See contamination protection accessory on **A1-516**. (\*2) See **A1-71**. (\*3) See **A1-77**. (\*4) See **A1-13**.

Note) This model number indicates that a single-rail unit constitutes one set. (i.e., required number of sets when 2 rails are used in parallel is 2 at a minimum.) Those models equipped with QZ Lubricator cannot have a grease nipple. When desiring a grease nipple for a model attached with QZ, contact THK.





Unit: mm

LM rail dimensions						Basic load rating		Static permissible moment $kN \cdot m^*$					Mass	
Width $W_1$ $\pm 0.05$	$W_2$	Height $M_1$	Pitch $F$	$d_1 \times d_2 \times h$	Length* Max	C kN	$C_0$ kN	$M_A$ 		$M_B$ 		$M_C$ 	LM block kg	LM rail kg/m
								1 block	Double blocks	1 block	Double blocks	1 block		
15	9.5	12.5	60	$4.5 \times 7.5 \times 5.3$	3000 (1240)	14.7	16.5	0.0792	0.44	0.0486	0.274	0.0962	0.15	1.2
20	11	15.5	60	$6 \times 9.5 \times 8.5$	3000 (1480)	19.6	23.4	0.138	0.723	0.0847	0.448	0.18	0.25	2.1
23	12.5	18	60	$7 \times 11 \times 9$	3000 (2020)	31.5	36.4	0.258	1.42	0.158	0.884	0.33	0.4	2.7
28	16	23	80	$7 \times 11 \times 9$	3000 (2520)	46.5	52.7	0.446	2.4	0.274	1.49	0.571	0.8	4.3
34	18	27.5	80	$9 \times 14 \times 12$	3000	64.6	71.6	0.711	3.72	0.437	2.31	0.936	1.1	6.4

Note1) The maximum length under "Length\*" indicates the standard maximum length of an LM rail. (See **A1-116**.)

Static permissible moment\* 1 block: the static permissible moment with one LM block

Double blocks: static permissible moment when two LM blocks are in close contact with each other

Total block length L : The total block length L shown in the table is the length with the dust proof parts, code UU or SS.

If other contamination protection accessories or lubricant equipment are installed, the total block length will increase.

(See **A1-491** or **A1-512**)

\*\* A pilot hole for side nipples, when a grease nipple for a model equipped with LaCS or QZ Lubricator is needed.

Pilot holes for side nipples are not drilled through for models other than those stated above.

For grease nipple mount machining, contact THK.

Note2) For models SSR15 and 25, two types of rails with different mounting hole dimensions are offered (see Table1).

When, replacing this model with model SR, pay attention to the mounting hole dimension of the LM rail.

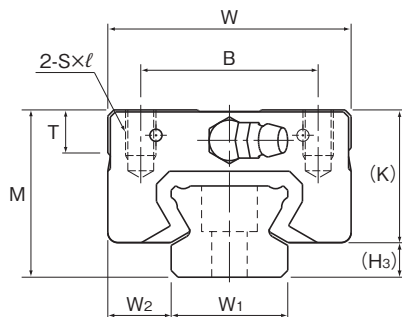
Contact THK for details.

Note3) The basic load rating in the dimension table is for a load in the radial direction. Use Table7 on **A1-59** to calculate the load rating for loads in the reverse radial direction or lateral direction.

Table1 The dimension of the rail mounting hole

Model No.	Standard rail	Semi-Standard rail
SSR 15	For M4 (Symbol Y)	For M3 (No symbol)
SSR 25	For M6 (Symbol Y)	For M5 (No symbol)

## Models SSR-XV and SSR-XVM



Model No.	Outer dimensions			LM block dimensions											Grease nipple	H <sub>3</sub>
	Height	Width	Length	B	S×ℓ	L <sub>1</sub>	T	K	N	E	f <sub>0</sub>	e <sub>0</sub>	D <sub>0</sub>			
	M	W	L	B	S×ℓ	L <sub>1</sub>	T	K	N	E	f <sub>0</sub>	e <sub>0</sub>	D <sub>0</sub>			
SSR 15XV SSR 15XVM	24	34	40.3	26	M4×7	23.3	6.5	19.5	4.5	5.5	2.7	4.5	3	PB1021B	4.5	
SSR 20XV SSR 20XVM	28	42	47.7	32	M5×8	27.8	8.2	22	5.5	12	2.9	5.2	3	B-M6F	6	
SSR 25XV SSR 25XVM	33	48	60	35	M6×9	36.8	8.4	26.2	6	12	3.3	6.8	3	B-M6F	6.8	
SSR 30XV SSR 30XVM	42	60	66.7	40	M8×12	40.4	11.5	32.5	8	12	4.5	7.6	4	B-M6F	9.5	
SSR 35XV	48	70	77.5	50	M8×12	47.1	16.2	36.5	8.5	12	4.7	8.8	4	B-M6F	11.5	

Note) The M in the model number symbol indicates that the LM block, LM rail and balls are made of stainless steel.  
The stainless steel provides excellent corrosion and environmental resistance.

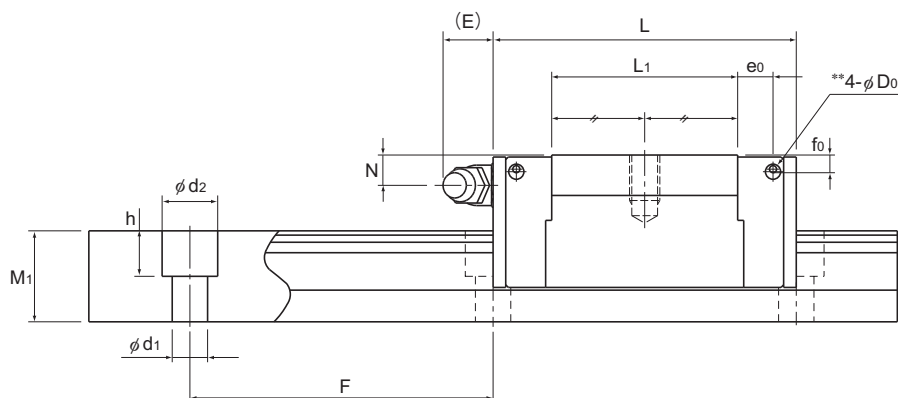
### Model number coding

<b>SSR25X</b>	<b>V</b>	<b>2</b>	<b>QZ</b>	<b>UU</b>	<b>C1</b>	<b>M</b>	<b>+1200L</b>	<b>Y</b>	<b>P</b>	<b>T</b>	<b>M</b>	<b>-III</b>
Model number	Type of LM block	No. of LM blocks used on the same rail	With QZ lubricator	Contamination protection accessory symbol (*1)	Radial clearance symbol (*2) Normal (No symbol) Light preload (C1)	Stainless steel LM block	LM rail length (in mm)	Applied to only 15 and 25	Accuracy symbol (*3) Normal grade (No Symbol) High accuracy grade (H)/Precision grade (P) Super precision grade (SP)/Ultra precision grade (UP)	Symbol for LM rail jointed use	Stainless steel LM rail	Symbol for No. of rails used on the same plane (*4)

(\*1) See contamination protection accessory on **A1-516**. (\*2) See **A1-71**. (\*3) See **A1-77**. (\*4) See **A1-13**.

Note) This model number indicates that a single-rail unit constitutes one set. (i.e., required number of sets when 3 rails are used in parallel is 3 at a minimum.)

Those models equipped with QZ Lubricator cannot have a grease nipple. When desiring a grease nipple for a model attached with QZ, contact THK.



Unit: mm

LM rail dimensions						Basic load rating		Static permissible moment kN•m*					Mass	
Width	Height	Pitch		Length*	C	C <sub>0</sub>	M <sub>A</sub>		M <sub>B</sub>		M <sub>C</sub>	LM block	LM rail	
W <sub>1</sub> ±0.05	W <sub>2</sub>	M <sub>1</sub>	F	d <sub>1</sub> ×d <sub>2</sub> ×h	Max	kN	kN	1 block	Double blocks	1 block	Double blocks	1 block	kg	kg/m
15	9.5	12.5	60	4.5×7.5×5.3	3000 (1240)	9.1	9.7	0.0303	0.119	0.0189	0.122	0.0562	0.08	1.2
20	11	15.5	60	6×9.5×8.5	3000 (1480)	13.4	14.4	0.0523	0.336	0.0326	0.213	0.111	0.14	2.1
23	12.5	18	60	7×11×9	3000 (2020)	21.7	22.5	0.104	0.661	0.0652	0.419	0.204	0.23	2.7
28	16	23	80	7×11×9	3000 (2020)	34.8	34.4	0.186	1.12	0.116	0.711	0.376	0.43	4.3
34	18	27.5	80	9×14×12	3000	48.3	46.7	0.295	1.77	0.184	1.12	0.615	0.6	6.4

Note1) The maximum length under "Length\*" indicates the standard maximum length of an LM rail. (See **A1-116**.)  
 Static permissible moment\* 1 block: the static permissible moment with one LM block

Double blocks: static permissible moment when two LM blocks are in close contact with each other  
 Total block length L : The total block length L shown in the table is the length with the dust proof parts, code UU or SS.  
 If other contamination protection accessories or lubricant equipment are installed, the total block length will increase.  
 (See **A1-491** or **A1-512**)

\*\* A pilot hole for side nipples, when a grease nipple for a model equipped with LaCS or QZ Lubricator is needed.

Pilot holes for side nipples are not drilled through for models other than those stated above.

For grease nipple mount machining, contact THK.

Note2) For models SSR15 and 25, two types of rails with different mounting hole dimensions are offered (see Table1).

When, replacing this model with model SR, pay attention to the mounting hole dimension of the LM rail.

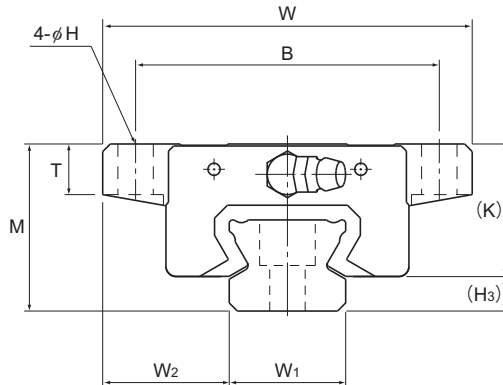
Contact THK for details.

Note3) The basic load rating in the dimension table is for a load in the radial direction. Use Table7 on **A1-59** to calculate the load rating for loads in the reverse radial direction or lateral direction.

Table1 The dimension of the rail mounting hole

Model No.	Standard rail	Semi-Standard rail
SSR 15	For M4 (Symbol Y)	For M3 (No symbol)
SSR 25	For M6 (Symbol Y)	For M5 (No symbol)

# Model SSR-XTB



Model No.	Outer dimensions			LM block dimensions												Grease nipple	H <sub>3</sub>
	Height	Width	Length	B	C	H	L <sub>1</sub>	T	K	N	E	f <sub>0</sub>	e <sub>0</sub>	D <sub>0</sub>			
	M	W	L	B	C	H	L <sub>1</sub>	T	K	N	E	f <sub>0</sub>	e <sub>0</sub>	D <sub>0</sub>			
SSR 15XTB	24	52	56.9	41	26	4.5	39.9	7	19.5	4.5	5.5	2.7	4.5	3	PB1021B	4.5	
SSR 20XTB	28	59	66.5	49	32	5.5	46.6	9	22	5.5	12	2.9	5.2	3	B-M6F	6	
SSR 25XTB	33	73	83	60	35	7	59.8	10	26.2	6	12	3.3	6.8	3	B-M6F	6.8	
SSR 30XTB	42	90	97	72	40	9	70.7	10	32.5	8	12	4.5	7.6	4	B-M6F	9.5	
SSR 35XTB	48	100	110.9	82	50	9	80.5	13	36.5	8.5	12	4.7	8.8	4	B-M6F	11.5	

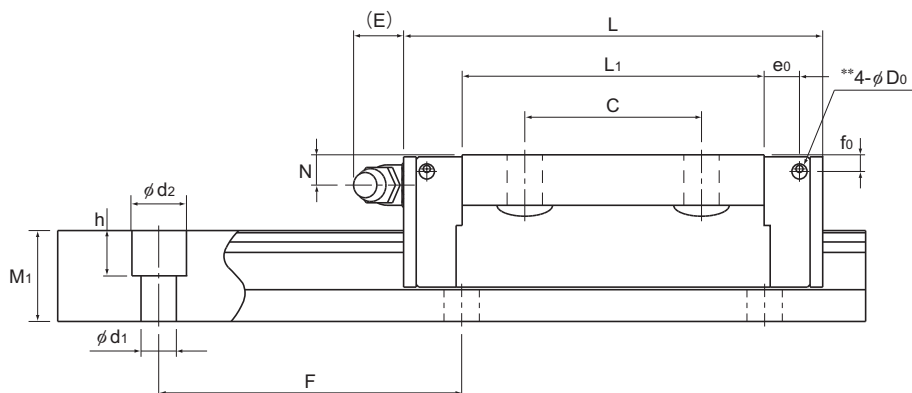
## Model number coding

<b>SSR15X</b>	<b>TB</b>	<b>2</b>	<b>QZ</b>	<b>UU</b>	<b>C1</b>	<b>+820L</b>	<b>Y</b>	<b>P</b>	<b>T</b>	<b>-II</b>
Model number	Type of LM block	No. of LM blocks used on the same rail	With QZ lubricator	Contamination protection accessory symbol (*1)	Radial clearance symbol (*2) Normal (No symbol) Light preload (C1) Medium preload (C0)	LM rail length (in mm) Applied to only 15 and 25 sizes	Accuracy symbol (*3) Normal grade (No Symbol) High accuracy grade (H) Precision grade (P) Super precision grade (SP) Ultra precision grade (UP)	Symbol for LM rail jointed use	Symbol for No. of rails used on the same plane (*4)	

(\*1) See contamination protection accessory on **A1-516**. (\*2) See **A1-71**. (\*3) See **A1-77**. (\*4) See **A1-13**.

Note) This model number indicates that a single-rail unit constitutes one set. (i.e., required number of sets when 2 rails are used in parallel is 2 at a minimum.)

Those models equipped with QZ Lubricator cannot have a grease nipple. When desiring a grease nipple for a model attached with QZ, contact THK.



Unit: mm

LM rail dimensions						Basic load rating		Static permissible moment $\text{kN}\cdot\text{m}^*$					Mass	
Width	Height	Pitch	Length*	C	$C_0$	$M_A$		$M_B$		$M_C$	LM block	LM rail		
$W_1$ $\pm 0.05$	$W_2$	$M_1$				$F$	$d_1 \times d_2 \times h$	Max	kN	kN			1 block	Double blocks
15	18.5	12.5	60	$4.5 \times 7.5 \times 5.3$	3000 (1240)	14.7	16.5	0.0792	0.44	0.0486	0.274	0.0962	0.19	1.2
20	19.5	15.5	60	$6 \times 9.5 \times 8.5$	3000 (1480)	19.6	23.4	0.138	0.723	0.0847	0.448	0.18	0.31	2.1
23	25	18	60	$7 \times 11 \times 9$	3000 (2020)	31.5	36.4	0.258	1.42	0.158	0.884	0.33	0.53	2.7
28	31	23	80	$7 \times 11 \times 9$	3000 (2020)	46.5	52.7	0.446	2.4	0.274	1.49	0.571	0.87	4.3
34	33	27.5	80	$9 \times 14 \times 12$	3000	64.6	71.6	0.711	3.72	0.437	2.31	0.936	1.33	6.4

Note1) The maximum length under "Length\*" indicates the standard maximum length of an LM rail. (See **A1-116**.)  
 Static permissible moment\* 1 block: the static permissible moment with one LM block

Double blocks: static permissible moment when two LM blocks are in close contact with each other  
 Total block length L : The total block length L shown in the table is the length with the dust proof parts, code UU or SS.  
 If other contamination protection accessories or lubricant equipment are installed, the total block length will increase.  
 (See **A1-491** or **A1-512**)

\*\* A pilot hole for side nipples, when a grease nipple for a model equipped with LaCS or QZ Lubricator is needed.  
 Pilot holes for side nipples are not drilled through for models other than those stated above.

For grease nipple mount machining, contact THK.

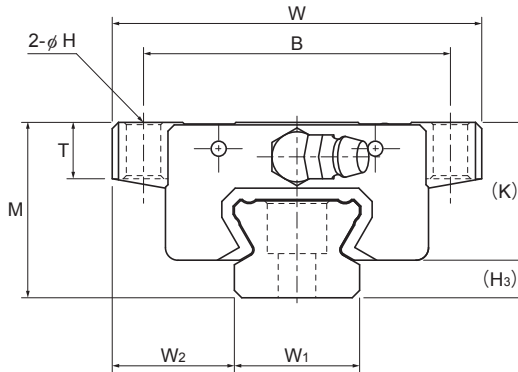
Note2) For models SSR15 and 25, two types of rails with different mounting hole dimensions are offered (see Table1).  
 When replacing this model with model SR, pay attention to the mounting hole dimension of the LM rail.  
 Contact THK for details.

Note3) The basic load rating in the dimension table is for a load in the radial direction. Use Table7 on **A1-59** to calculate the load rating for loads in the reverse radial direction or lateral direction.

Table1 The dimension of the rail mounting hole

Model No.	Standard rail	Semi-Standard rail
SSR 15	For M4 (Symbol Y)	For M3 (No symbol)
SSR 25	For M6 (Symbol Y)	For M5 (No symbol)

# Model SSR-XSB



Model No.	Outer dimensions			LM block dimensions											Grease nipple	H <sub>3</sub>
	Height	Width	Length	B	H	L <sub>1</sub>	T	K	N	E	f <sub>0</sub>	e <sub>0</sub>	D <sub>0</sub>			
	M	W	L	B	H	L <sub>1</sub>	T	K	N	E	f <sub>0</sub>	e <sub>0</sub>	D <sub>0</sub>			
SSR 15XSB	24	52	40.3	41	4.5	23.3	7	19.5	4.5	5.5	2.7	4.5	3	PB1021B	4.5	
SSR 20XSB	28	59	47.7	49	5.5	27.8	9	22	5.5	12	2.8	5.2	3	B-M6F	6	
SSR 25XSB	33	73	60	60	7	36.8	10	26.2	6	12	3.3	7	3	B-M6F	6.8	
SSR 30XSB	42	90	66.7	72	9	40.4	10	32.5	8	12	4.5	7.6	4	B-M6F	9.5	
SSR 35XSB	48	100	77.5	82	9	47.1	13	36.5	8.5	12	4.7	8.8	4	B-M6F	11.5	

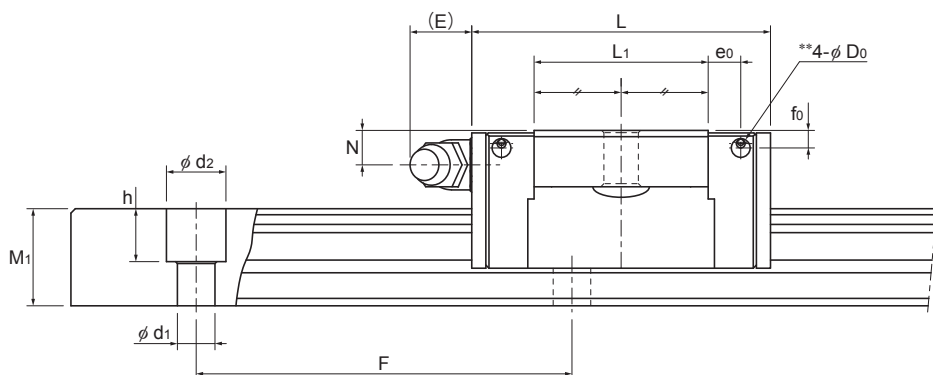
## Model number coding

<b>SSR15X</b>	<b>SB</b>	<b>2</b>	<b>QZ</b>	<b>UU</b>	<b>C1</b>	<b>+820L</b>	<b>Y</b>	<b>P</b>	<b>T</b>	<b>-II</b>
Model number	Type of LM block	No. of LM blocks used on the same rail	With QZ lubricator	Contamination protection accessory symbol (*1)	Radial clearance symbol (*2) Normal (No symbol) Light preload (C1) Medium preload (C0)	LM rail length (in mm) Applied to only 15 and 25 sizes		Symbol for LM rail jointed use		Symbol for No. of rails used on the same plane (*4)
								Accuracy symbol (*3) Normal grade (No Symbol) High accuracy grade (H) Precision grade (P) Super precision grade (SP) Ultra precision grade (UP)		

(\*1) See contamination protection accessory on **A1-516**. (\*2) See **A1-71**. (\*3) See **A1-77**. (\*4) See **A1-13**.

Note) This model number indicates that a single-rail unit constitutes one set (i.e., the required number of sets when 2 rails are used in parallel is 2 at a minimum).

Those models equipped with a QZ Lubricator cannot have a grease nipple. When desiring a grease nipple for a model with a QZ attached, contact THK.



Unit: mm

LM rail dimensions						Basic load rating		Static permissible moment kN·m *					Mass	
Width	Height	Pitch		Length*		C	C <sub>0</sub>	M <sub>a</sub>		M <sub>b</sub>		M <sub>c</sub>	LM block	LM rail
W <sub>1</sub> ±0.05	W <sub>2</sub>	M <sub>1</sub>	F	d <sub>1</sub> ×d <sub>2</sub> ×h	Max	kN	kN	1 block	2 blocks	1 block	2 blocks	1 block	kg	kg/m
15	18.5	12.5	60	4.5×7.5×5.3	3000 (1240)	9.1	9.7	0.0303	0.1192	0.0189	0.122	0.0562	0.11	1.2
20	19.5	15.5	60	6×9.5×8.5	3000 (1480)	13.4	14.4	0.0523	0.336	0.0326	0.213	0.111	0.18	2.1
23	25	18	60	7×11×9	3000 (2020)	21.7	22.5	0.104	0.661	0.0652	0.419	0.204	0.31	2.7
28	31	23	80	7×11×9	3000 (2520)	34.8	34.4	0.186	1.12	0.116	0.711	0.376	0.52	4.3
34	33	27.5	80	9×14×12	3000	48.3	46.7	0.295	1.77	0.184	1.12	0.615	0.77	6.4

Note1) The maximum length under "Length\*" indicates the standard maximum length of an LM rail. (See **A1-116**.)

Static permissible moment\* 1 block: The static permissible moment with one LM block

2 blocks: Static permissible moment when two LM blocks are in close contact with each other

Total block length L : The total block length L shown in the table is the length with the dust proof parts, code UU or SS. If other contamination protection accessories or lubricant equipment are installed, the total block length will increase.

(See **A1-491** or **A1-512**)

\*\* A pilot hole for side nipples, when a grease nipple for a model equipped with LaCS or QZ Lubricator is needed.

Pilot holes for side nipples are not drilled through for models other than those stated above.

For grease nipple mount machining, contact THK.

Note2) For models SSR15 and 25, two types of rails with different mounting hole dimensions are offered (see Table1).

When, replacing this model with model SR, pay attention to the mounting hole dimension of the LM rail.

Contact THK for details.

Note3) The basic load rating in the dimension table is for a load in the radial direction. Use Table7 on **A1-59** to calculate the load rating for loads in the reverse radial direction or lateral direction.

Table1 The dimension of the rail mounting hole

Model No.	Standard rail	Semi-standard rail
SSR 15	For M4 (Symbol Y)	For M3 (No symbol)
SSR 25	For M6 (Symbol Y)	For M5 (No symbol)

## Standard Length and Maximum Length of the LM Rail

Table1 shows the standard lengths and the maximum lengths of model SSR variations. If the maximum length of the desired LM rail exceeds them, jointed rails will be used. Contact THK for details. For special rail lengths, it is recommended to use a value corresponding to the G,g dimension from the table. As the G,g dimension increases, this portion becomes less stable, and the accuracy performance is severely impacted.

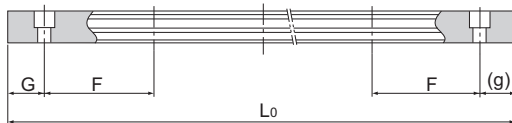


Table1 Standard Length and Maximum Length of the LM Rail

Unit: mm

Model No.	SSR 15X	SSR 20X	SSR 25X	SSR 30X	SSR 35X
LM rail standard length ( $L_0$ )	160	220	220	280	280
	220	280	280	360	360
	280	340	340	440	440
	340	400	400	520	520
	400	460	460	600	600
	460	520	520	680	680
	520	580	580	760	760
	580	640	640	840	840
	640	700	700	920	920
	700	760	760	1000	1000
	760	820	820	1080	1080
	820	940	940	1160	1160
	940	1000	1000	1240	1240
	1000	1060	1060	1320	1320
	1060	1120	1120	1400	1400
	1120	1180	1240	1480	1480
	1180	1240	1300	1640	1640
	1240	1300	1360	1720	1720
	1300	1360	1420	1800	1800
	1360	1420	1480	1880	1880
	1420	1480	1540	1960	1960
	1480	1540	1600	2040	2040
	1540	1600	1660	2120	2120
		1660	1720	2200	2200
		1720	1780	2280	2280
		1780	1840	2360	2360
		1840	1900	2440	2440
		1900	1960	2520	2520
	1960	2020	2600	2600	
	2020	2080	2680	2680	
	2080	2140	2760	2760	
	2140	2200	2840	2840	
		2260	2920	2920	
		2320			
		2380			
		2440			
Standard pitch F	60	60	60	80	80
G,g	20	20	20	20	20
Max length	3000 (1240)	3000 (1480)	3000 (2020)	3000 (2520)	3000

Note1) The maximum length varies with accuracy grades. Contact THK for details.

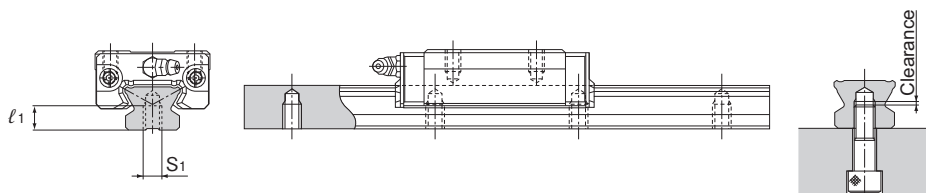
Note2) If jointed rails are not allowed and a greater length than the maximum values above is required, contact THK.

Note3) The figures in the parentheses indicate the maximum lengths of stainless steel made models.



## Tapped-hole LM Rail Type of Model SSR

SSR model rails also include a type where the LM rail is tapped from the bottom. This type is useful when mounting from the bottom of the base and when increased contamination protection is desired.



- (1) A tapped-hole LM rail type is available only for high accuracy or lower grades.
- (2) Determine the bolt length so that a clearance of 2 to 5 mm is secured between the bolt end and the bottom of the tap (effective tap depth). (See figure above.)
- (3) For standard pitches of the taps, see Table1 on **A1-116**.

Table2 Dimensions of the LM Rail Tap Unit: mm

Model No.	S <sub>1</sub>	Effective tap depth $l_1$
SSR 15X	M5	7
SSR 20X	M6	9
SSR 25X	M6	10
SSR 30X	M8	14
SSR 35X	M8	16

### Model number coding

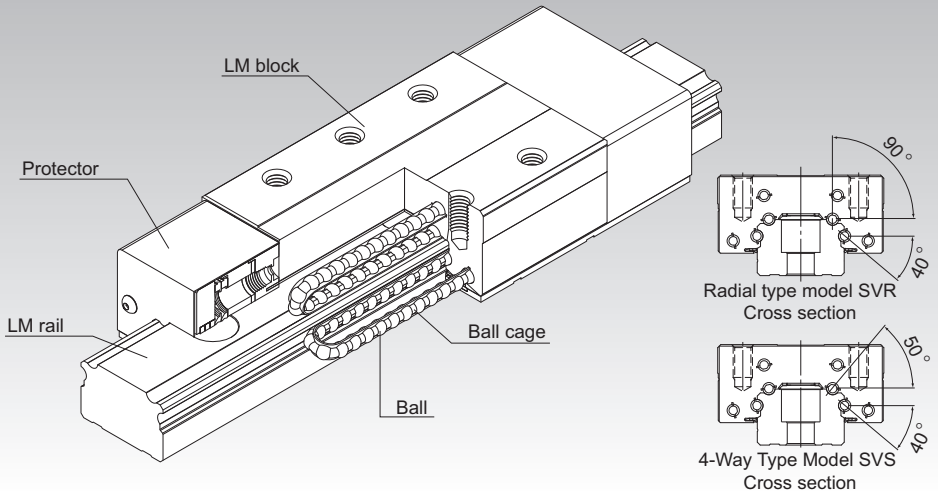
**SSR20X W2UU +1200LH K**

Symbol for  
tapped-hole LM rail t

# SVR/SVS



Caged Ball LM Guide Ultra-heavy Load Type for Machine Tools Model SVR/SVS



\*For the Ball Cage, see **A1-88**.

**Point of Selection** **A1-10**

**Point of Design** **A1-454**

**Options** **A1-477**

**Model No.** **A1-543**

**Precautions on Use** **A1-549**

**Accessories for Lubrication** **A24-1**

**Mounting Procedure and Maintenance** **B1-89**

Equivalent moment factor **A1-43**

Rated Loads in All Directions **A1-59**

Equivalent factor in each direction **A1-61**

Radial Clearance **A1-71**

Accuracy Standards **A1-77**

Shoulder Height of the Mounting Base and the Corner Radius **A1-464**

Permissible Error of the Mounting Surface **A1-470**

Dimensions of Each Model with an Option Attached **A1-491**

---

## Structure and Features

---

Models SVR/SVS have especially high rigidity and load carrying capacity among the Caged Ball LM Guide series. In addition, these models maintain the LM Guide performance and achieve high reliability through the strengthening of the dust proof performance with a broad range of options that take into account the service environments of machine tools, etc.

\*Since models SVR/SVS have very high rigidity, their structures are easily affected by the misalignment of the mounting surface and the installation error. If affected by these factors, their service life may be shortened or their motion may be disrupted. When considering using these models, contact THK.

### [Super Heavy Load, Increased Damping]

The raceway of models SVR/SVS adopts a circular-arc deep groove with a curvature approximate to the ball diameter. Since the ball contact area increases as the applied load increases, a large load carrying capacity is achieved and damping is also improved.

### [Increased Dust-proof Performance]

The foreign material removal function is improved with a newly developed protector to strengthen the dust-proof performance. In addition, use of a side scraper reduces the entrance of foreign material into the LM block, thus maintaining the LM Guide performance for a long period even in adverse environments.

### [High Rigidity]

Models SVR/SVS achieve the highest rigidity among the Caged Ball LM Guide series.

Both the radial type SVR and the 4-way equal load type SVS are available for the same size. Depending on the intended use, you can select either type.

### [Wide Array of Options]

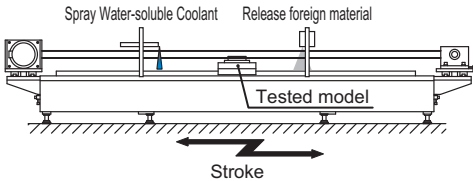
Various options are available, including end seal, inner seal, side seal, Laminated Contact Scraper LaCS, protector, side scraper and Cap GC, to respond to diversified service environments.

### [Models SVR/SVS Contamination Protection Performance Evaluation]

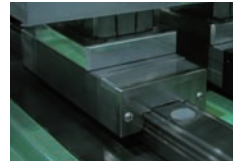
Models SVR/SVS maintain their performance under severe conditions with fine particles or liquid contamination.

#### Test conditions

Item	Description
Tested model	SVS45LR1TTHHYC1+2880LP×2set
Maximum speed	200m/min
Stroke	2500mm
Grease used	THK AFB-LF Grease
Environmental conditions	Foreign material
	Type: Metal powder (Atomized Powder) (particle diameter: 125 μm or less)
	Amount: 0.4 g/20 min
	Coolant
Water-soluble coolant	
Amount: 0.2 cc/10 s	

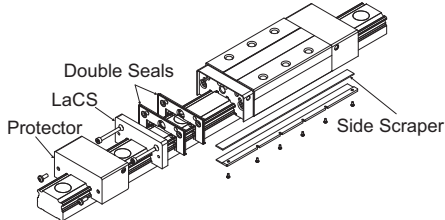


Test equipment



Tested model

#### Models SVR/SVS with option (TTHHY option)



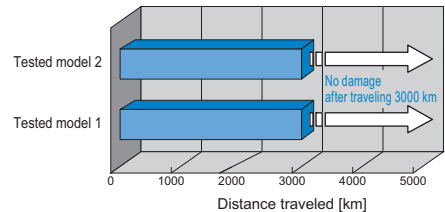
TTHHY Option:

Double Seals  
Laminated Contact Scraper LaCS  
Protector  
Side Scraper

#### Test Result



After traveling 3000 km



Models SVR/SVS maintain their performance even after traveling 3000 km under severe conditions with exposure to coolant and contamination.

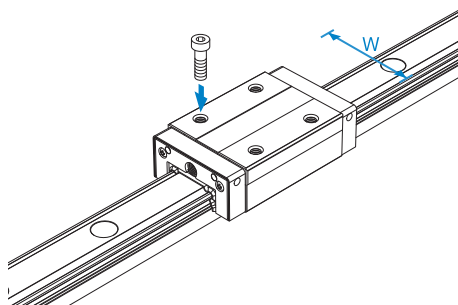
## Types and Features

### Models SVR-R/SVS-R

With this type, the LM block has a smaller width (W) and tapped holes.

Used in places where the space for table width is limited.

Specification Table⇒ [A1-124](#)/[A1-126](#)

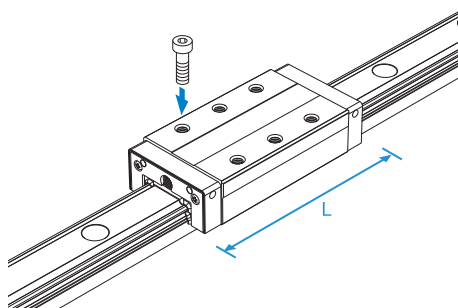


LM Guide

### Models SVR-LR/SVS-LR

The LM block has the same cross-sectional shape as models SVR/SVS-R, but has a longer overall LM block length (L) and a greater rated load.

Specification Table⇒ [A1-124](#)/[A1-126](#)

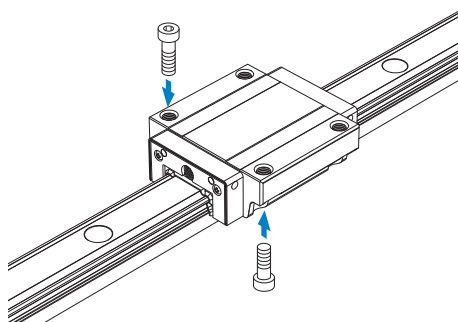


### Models SVR-C/SVS-C

The flange of the LM block has tapped holes. Can be mounted from the top or the bottom.

Can also be used in places where the table cannot have through holes for mounting bolts.

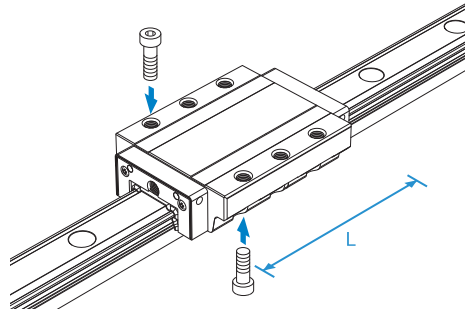
Specification Table⇒ [A1-128](#)/[A1-130](#)



## Models SVR-LC/SVS-LC

The LM block has the same cross-sectional shape as models SVR/SVS-C, but has a longer overall LM block length (L) and a greater rated load.

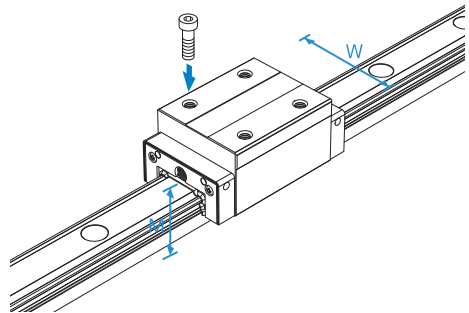
Specification Table⇒ [A1-128/A1-130](#)



## Models SVR-RH/SVS-RH

The dimensions are almost the same as that of LM Guide models SHS and HSR, and the LM block has tapped holes.

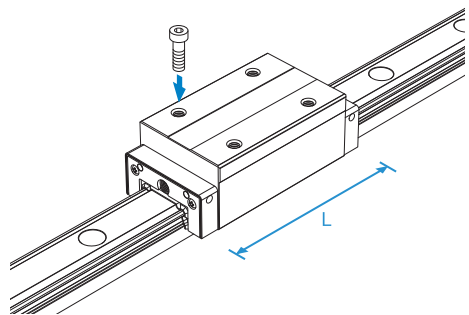
Specification Table⇒ [A1-132](#)



## Models SVR-LRH/SVS-LRH

The LM block has the same cross-sectional shape as models SVR/SVS-RH, but has a longer overall LM block length (L) and a greater rated load.

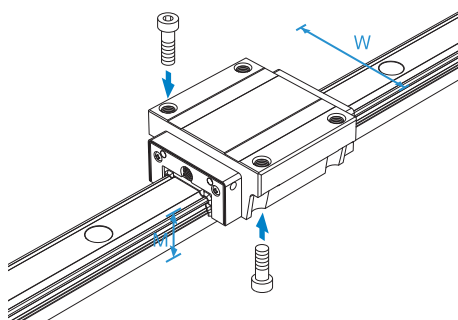
Specification Table⇒ [A1-132](#)



## Models SVR-CH/SVS-CH

The dimensions are similar to that of LM Guide models SHS and HSR, and the flange of the LM block has tapped holes.

Specification Table⇒ **A1-134**

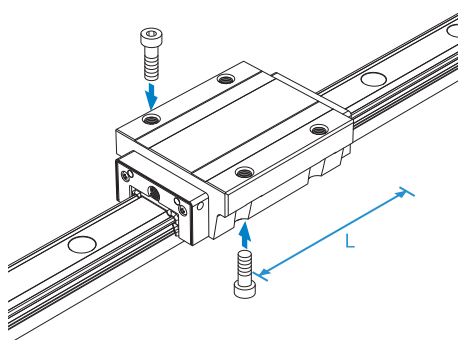


LM Guide

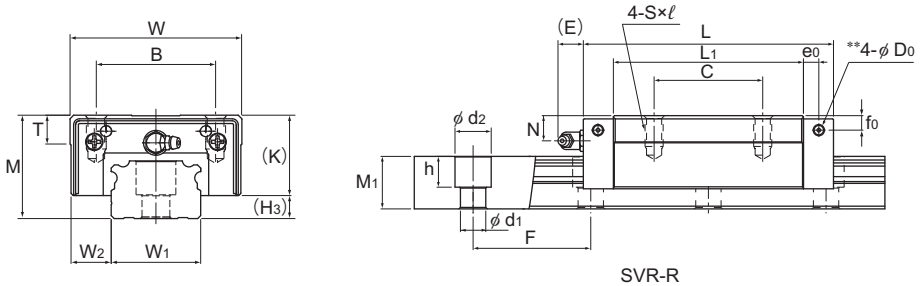
## Models SVR-LCH/SVS-LCH

The LM block has the same cross-sectional shape as models SVR/SVS-CH, but has a longer overall LM block length (L) and a greater rated load.

Specification Table⇒ **A1-134**



# Models SVR-R and SVR-LR



Model No.	Outer dimensions			LM block dimensions													Grease nipple	H <sub>3</sub>
	Height	Width	Length	B	C	S×ℓ	L <sub>1</sub>	T	K	N	f <sub>0</sub>	E	e <sub>0</sub>	D <sub>0</sub>				
	M	W	L	B	C	S×ℓ	L <sub>1</sub>	T	K	N	f <sub>0</sub>	E	e <sub>0</sub>	D <sub>0</sub>	H <sub>3</sub>			
SVR 25R SVR 25LR	31	50	82.8 102	32	35 50	M6×8	61.4 80.6	9.7	25.5	7.8	5.1	12	4.5	3.9	B-M6F	5.5		
SVR 30R SVR 30LR	38	60	98 120.5	40	40 60	M8×10	72.1 94.6	9.7	31	10.3	7	12	6.5	3.9	B-M6F	7		
SVR 35R SVR 35LR	44	70	109.5 135	50	50 72	M8×12	79 104.5	11.7	35	12.1	8	12	6	5.2	B-M6F	9		
SVR 45R SVR 45LR	52	86	138.2 171	60	60 80	M10×17	105 137.8	14.7	40.4	13.9	8	16	8.5	5.2	B-PT1/8	11.6		
SVR 55R SVR 55LR	63	100	163.3 200.5	65	75 95	M12×18	123.6 160.8	17.7	49	16.6	10	16	10	5.2	B-PT1/8	14		
SVR 65R SVR 65LR	75	126	186 246	76	70 110	M16×20	143.6 203.6	21.6	60	19	15	16	8.7	8.2	B-PT1/8	15		

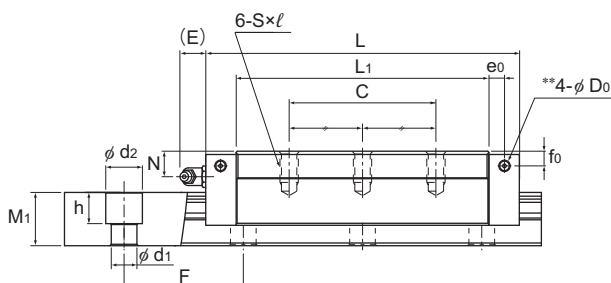
## Model number coding

<b>SVR45</b>	<b>LR</b>	<b>2</b>	<b>QZ</b>	<b>TT</b>	<b>HH</b>	<b>C0</b>	<b>+1200L</b>	<b>P</b>	<b>T</b>	<b>-II</b>
Model No.	Type of LM block	No. of LM blocks used on the same rail	With QZ Lubricator	Contamination protection accessory symbol (*1)		LM rail length (in mm)	Radial clearance symbol (*2)	Accuracy symbol (*3)	Symbol for LM rail jointed use	Symbol for No. of rails used on the same plane (*4)
						Normal (No symbol)	Light preload (C1)	Normal grade (No Symbol)/High accuracy grade (H)		
						Medium preload (C0)		Precision grade (P)/Super precision grade (SP)		
								Ultra precision grade (UP)		

(\*1) See contamination protection accessory on **A1-516**. (\*2) See **A1-71**. (\*3) See **A1-77**. (\*4) See **A1-13**.

Note) This model number indicates that an LM block and an LM rail constitute one set (i.e., the required number of sets when 2 rails are used in parallel is 2). Those models equipped with QZ Lubricator cannot have a grease nipple. When desiring a grease nipple for a model attached with QZ, contact THK.





SVR-LR

Unit: mm

Width W <sub>1</sub> 0 -0.05	LM rail dimensions					Basic load rating		Static permissible moment kN·m*					Mass	
	W <sub>2</sub>	M <sub>1</sub>	Pitch F	Length d <sub>1</sub> × d <sub>2</sub> × h Max*	C	C <sub>0</sub>	M <sub>A</sub>		M <sub>B</sub>		M <sub>C</sub>	LM block kg	LM rail kg/m	
							1 block	Double blocks	1 block	Double blocks	1 block			
25	12.5	17	40	6 × 9.5 × 8.5	3000	48.2 57	68.1 86.3	0.602 0.944	3.02 4.67	0.365 0.57	1.83 2.81	0.71 0.9	0.4 0.5	2.9
28	16	21	80	7 × 11 × 9	3000	67.9 84	91.6 124	0.907 1.64	4.85 7.92	0.552 0.991	2.94 4.76	1.08 1.47	0.7 0.9	4.2
34	18	24.5	80	9 × 14 × 12	3000	89.6 112	116 160	1.26 2.35	6.91 11.5	0.769 1.42	4.2 6.91	1.64 2.26	1 1.3	6.0
45	20.5	29	105	14 × 20 × 17	3090	138 161	186 233	2.76 4.52	13.7 22.1	1.67 2.74	8.3 13.4	3.5 4.6	1.8 2.3	9.5
53	23.5	36.5	120	16 × 23 × 20	3060	177 214	235 309	3.99 6.8	20.6 32.7	2.42 4.1	12.4 19.7	5.07 6.67	3.3 4.3	14
63	31.5	43	150	18 × 26 × 22	3000	271 339	352 484	7.26 13.5	34.9 62.6	4.4 8.14	21.1 37.6	9 12.4	6.0 8.5	19.6

Note1) The maximum length under "Length\*" indicates the standard maximum length of an LM rail. (See [A1-136](#).)

Static permissible moment\* 1 block: the static permissible moment with one LM block

Double blocks: static permissible moment when two LM blocks are in close contact with each other

For oil lubrication, be certain to let THK know the mounting orientation and where the LM block piping joint should be attached.

(Mounting orientation: see [A1-12](#), Lubricant: see [A24-2](#))

Total block length L : The total block length L shown in the table is the length with the dust proof parts, code UU or SS. If other contamination protection accessories or lubricant equipment are installed, the total block length will increase.

(See [A1-491](#) or [A1-512](#))

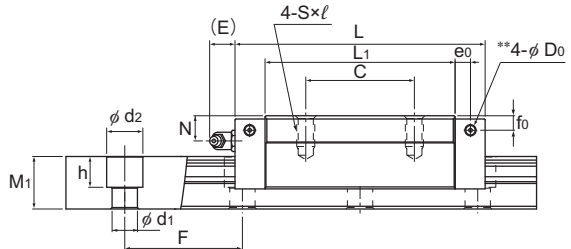
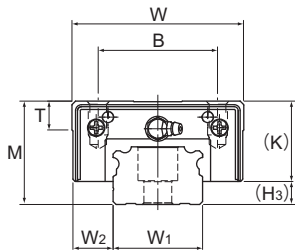
\*\* A pilot hole for side nipples, when a grease nipple for a model equipped with LaCS or QZ Lubricator is needed.

Pilot holes for side nipples are not drilled through for models other than those stated above.

For grease nipple mount machining, contact THK.

Note2) The basic load rating in the dimension table is for a load in the radial direction. Use Table7 on [A1-59](#) to calculate the load rating for loads in the reverse radial direction or lateral direction.

# Models SVS-R and SVS-LR



SVS-R

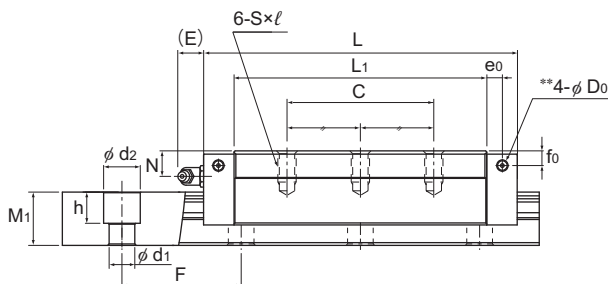
Model No.	Outer dimensions			LM block dimensions													Grease nipple	H <sub>3</sub>
	Height	Width	Length	B	C	S×ℓ	L <sub>1</sub>	T	K	N	f <sub>0</sub>	E	e <sub>0</sub>	D <sub>0</sub>				
	M	W	L															
SVS 25R SVS 25LR	31	50	82.8 102	32	35 50	M6×8	61.4 80.6	9.7	25.5	7.8	5.1	12	4.5	3.9	B-M6F	5.5		
SVS 30R SVS 30LR	38	60	98 120.5	40	40 60	M8×10	72.1 94.6	9.7	31	10.3	7	12	6.5	3.9	B-M6F	7		
SVS 35R SVS 35LR	44	70	109.5 135	50	50 72	M8×12	79 104.5	11.7	35	12.1	8	12	6	5.2	B-M6F	9		
SVS 45R SVS 45LR	52	86	138.2 171	60	60 80	M10×17	105 137.8	14.7	40.4	13.9	8	16	8.5	5.2	B-PT1/8	11.6		
SVS 55R SVS 55LR	63	100	163.3 200.5	65	75 95	M12×18	123.6 160.8	17.7	49	16.6	10	16	10	5.2	B-PT1/8	14		
SVS 65R SVS 65LR	75	126	186 246	76	70 110	M16×20	143.6 203.6	21.6	60	19	15	16	8.7	8.2	B-PT1/8	15		

## Model number coding

<b>SVS45</b>	<b>LR</b>	<b>2</b>	<b>QZ</b>	<b>TTHH</b>	<b>C0</b>	<b>+1200L</b>	<b>P</b>	<b>T</b>	<b>-II</b>
Model No.	Type of LM block	No. of LM blocks used on the same rail	With QZ Lubricator	Contamination protection accessory symbol (*1)	LM rail length (in mm) Radial clearance symbol (*2) Normal (No symbol) Light preload (C1) Medium preload (C0)	Symbol for LM rail jointed use	Accuracy symbol (*3) Normal grade (No Symbol)/High accuracy grade (H) Precision grade (P)/Super precision grade (SP) Ultra precision grade (UP)	Symbol for No. of rails used on the same plane (*4)	

(\*1) See contamination protection accessory on **A1-516**. (\*2) See **A1-71**. (\*3) See **A1-77**. (\*4) See **A1-13**.

Note) This model number indicates that an LM block and an LM rail constitute one set (i.e., the required number of sets when 2 rails are used in parallel is 2).  
Those models equipped with QZ Lubricator cannot have a grease nipple. When desiring a grease nipple for a model attached with QZ, contact THK.



SVS-LR

Unit: mm

LM rail dimensions						Basic load rating		Static permissible moment kN·m*					Mass	
Width	Height	Pitch	Length	C	C <sub>0</sub>	M <sub>A</sub>		M <sub>B</sub>		M <sub>C</sub>	LM block	LM rail		
W <sub>1</sub> 0 -0.05	W <sub>2</sub>	M <sub>1</sub>	F	d <sub>1</sub> × d <sub>2</sub> × h	Max*	kN	kN	1 block	Double blocks	1 block	Double blocks	1 block	kg	kg/m
25	12.5	17	40	6 × 9.5 × 8.5	3000	37 43.7	52.2 66.1	0.479 0.75	2.41 3.71	0.443 0.693	2.23 3.43	0.525 0.665	0.4 0.5	2.9
28	16	21	80	7 × 11 × 9	3000	52 64.4	70.1 95.2	0.722 1.31	3.86 6.3	0.667 1.21	3.58 5.83	0.798 1.08	0.7 0.9	4.2
34	18	24.5	80	9 × 14 × 12	3000	68.6 86.1	88.6 123	1 1.88	5.49 9.15	0.927 1.73	5.09 8.46	1.2 1.67	1 1.3	6.0
45	20.5	29	105	14 × 20 × 17	3090	105 123	142 178	2.19 3.58	10.9 17.5	2.02 3.31	10.1 16.2	2.6 3.44	1.8 2.3	9.5
53	23.5	36.5	120	16 × 23 × 20	3060	136 164	180 237	3.17 5.4	16.4 26	2.93 4.99	15.1 24	3.76 4.96	3.3 4.3	14
63	31.5	43	150	18 × 26 × 22	3000	208 260	269 370	5.76 10.7	27.7 49.6	5.33 9.88	25.6 45.8	6.66 9.16	6.0 8.5	19.6

Note1) The maximum length under "Length\*" indicates the standard maximum length of an LM rail. (See [A1-136](#).)

Static permissible moment\* 1 block: the static permissible moment with one LM block

Double blocks: static permissible moment when two LM blocks are in close contact with each other

For oil lubrication, be certain to let THK know the mounting orientation and where the LM block piping joint should be attached.

(Mounting orientation: see [A1-12](#), Lubricant: see [A24-2](#))

Total block length L

: The total block length L shown in the table is the length with the dust proof parts, code UU or SS.

If other contamination protection accessories or lubricant equipment are installed, the total block length will increase.

(See [A1-491](#) or [A1-512](#))

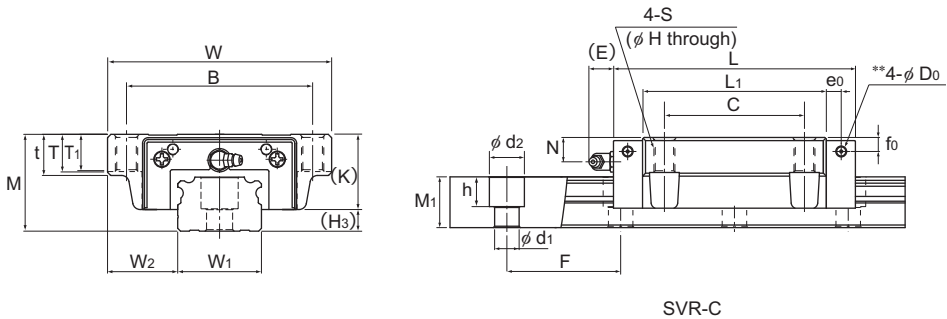
\*\* A pilot hole for side nipples, when a grease nipple for a model equipped with LaCS or QZ Lubricant is needed.

Pilot holes for side nipples are not drilled through for models other than those stated above.

For grease nipple mount machining, contact THK.

Note2) The basic load rating in the dimension table is for a load in the radial direction. Use Table7 on [A1-59](#) to calculate the load rating for loads in the reverse radial direction or lateral direction.

# Models SVR-C and SVR-LC



SVR-C

Model No.	Outer dimensions			LM block dimensions																Grease nipple	H <sub>3</sub>
	Height	Width	Length	B	C	S	H	L <sub>1</sub>	t	T	T <sub>1</sub>	K	N	f <sub>0</sub>	E	e <sub>0</sub>	D <sub>0</sub>				
	M	W	L	B	C	S	H	L <sub>1</sub>	t	T	T <sub>1</sub>	K	N	f <sub>0</sub>	E	e <sub>0</sub>	D <sub>0</sub>				
SVR 25C SVR 25LC	31	72	82.8 102	59	45	M8	6.8	61.4 80.6	16	14.8	12	25.5	7.8	5.1	12	4.5	3.9	B-M6F	5.5		
SVR 30C SVR 30LC	38	90	98 120.5	72	52	M10	8.5	72.1 94.6	18.1	16.9	14	31	10.3	7	12	6.5	3.9	B-M6F	7		
SVR 35C SVR 35LC	44	100	109.5 135	82	62	M10	8.5	79 104.5	20.1	18.9	16	35	12.1	8	12	6	5.2	B-M6F	9		
SVR 45C SVR 45LC	52	120	138.2 171	100	80	M12	10.5	105 137.8	22.1	20.6	20	40.4	13.9	8	16	8.5	5.2	B-PT1/8	11.6		
SVR 55C SVR 55LC	63	140	163.3 200.5	116	95	M14	12.5	123.6 160.8	24	22.5	22	49	16.6	10	16	10	5.2	B-PT1/8	14		
SVR 65C SVR 65LC	75	170	186 246	142	110	M16	14.5	143.6 203.6	28	26	25	60	19	15	16	8.7	8.2	B-PT1/8	15		

## Model number coding

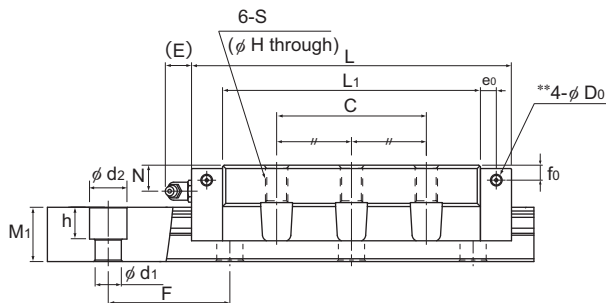
**SVR45 LC 2 QZ TTHH C0 +1200L P T - II**

Model No.	Type of LM block	With QZ Lubricator	Contamination protection accessory symbol (*1)	LM rail length (in mm)	Symbol for LM rail jointed use	Symbol for No. of rails used on the same plane (*4)
		No. of LM blocks used on the same rail		Radial clearance symbol (*2) Normal (No symbol) Light preload (C1) Medium preload (C0)	Accuracy symbol (*3) Normal grade (No Symbol)/High accuracy grade (H) Precision grade (P)/Super precision grade (SP) Ultra precision grade (UP)	

(\*1) See contamination protection accessory on **A1-516**. (\*2) See **A1-71**. (\*3) See **A1-77**. (\*4) See **A1-13**.

Note) This model number indicates that an LM block and an LM rail constitute one set (i.e., the required number of sets when 2 rails are used in parallel is 2).

Those models equipped with QZ Lubricator cannot have a grease nipple. When desiring a grease nipple for a model attached with QZ, contact THK.



SVR-LC

Unit: mm

LM rail dimensions						Basic load rating		Static permissible moment kN·m*					Mass	
Width	Height	Pitch	Length	C	C <sub>0</sub>	M <sub>A</sub>		M <sub>B</sub>		M <sub>C</sub>	LM block	LM rail		
W <sub>1</sub> 0 -0.05	W <sub>2</sub>	M <sub>1</sub>	F	d <sub>1</sub> ×d <sub>2</sub> ×h	Max*	kN	kN	1 block	Double blocks	1 block	Double blocks	1 block	kg	kg/m
25	23.5	17	40	6×9.5×8.5	3000	48.2 57	68.1 86.3	0.602 0.944	3.02 4.67	0.365 0.57	1.83 2.81	0.71 0.9	0.6 0.8	2.9
28	31	21	80	7×11×9	3000	67.9 84	91.6 124	0.907 1.64	4.85 7.92	0.552 0.991	2.94 4.76	1.08 1.47	1.1 1.5	4.2
34	33	24.5	80	9×14×12	3000	89.6 112	116 160	1.26 2.35	6.91 11.5	0.769 1.42	4.2 6.91	1.64 2.26	1.6 2	6.0
45	37.5	29	105	14×20×17	3090	138 161	186 233	2.76 4.52	13.7 22.1	1.67 2.74	8.3 13.4	3.5 4.6	2.7 3.6	9.5
53	43.5	36.5	120	16×23×20	3060	177 214	235 309	3.99 6.8	20.6 32.7	2.42 4.1	12.4 19.7	5.07 6.67	4.5 5.9	14
63	53.5	43	150	18×26×22	3000	271 339	352 484	7.26 13.5	34.9 62.6	4.4 8.14	21.1 37.6	9 12.4	7.8 11.0	19.6

Note1) The maximum length under "Length\*\*" indicates the standard maximum length of an LM rail. (See [A1-136](#).)

Static permissible moment \* 1 block: the static permissible moment with one LM block

Double blocks: static permissible moment when two LM blocks are in close contact with each other

For oil lubrication, be certain to let THK know the mounting orientation and where the LM block piping joint should be attached.

(Mounting orientation: see [A1-12](#), Lubricant: see [A24-2](#))

Total block length L

: The total block length L shown in the table is the length with the dust proof parts, code UU or SS.

If other contamination protection accessories or lubricant equipment are installed, the total block length will increase.

(See [A1-491](#) or [A1-512](#))

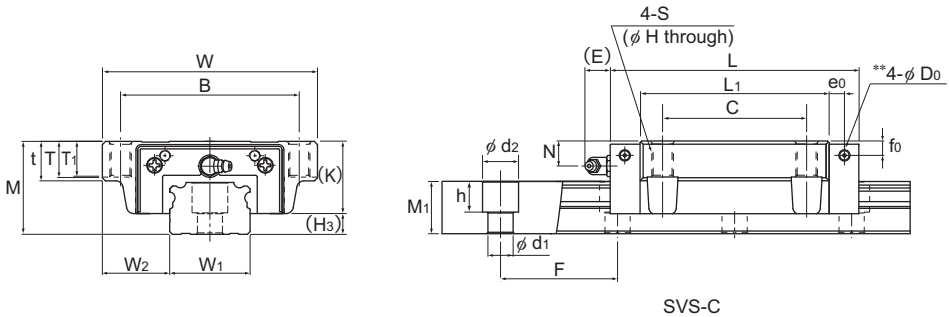
\*\* A pilot hole for side nipples, when a grease nipple for a model equipped with LaCS or QZ Lubricator is needed.

Pilot holes for side nipples are not drilled through for models other than those stated above.

For grease nipple mount machining, contact THK.

Note2) The basic load rating in the dimension table is for a load in the radial direction. Use Table7 on [A1-59](#) to calculate the load rating for loads in the reverse radial direction or lateral direction.

# Models SVS-C and SVS-LC



Model No.	Outer dimensions			LM block dimensions																Grease nipple	H <sub>3</sub>
	Height	Width	Length	B	C	S	H	L <sub>1</sub>	t	T	T <sub>1</sub>	K	N	f <sub>0</sub>	E	e <sub>0</sub>	D <sub>0</sub>				
	M	W	L	B	C	S	H	L <sub>1</sub>	t	T	T <sub>1</sub>	K	N	f <sub>0</sub>	E	e <sub>0</sub>	D <sub>0</sub>				
SVS 25C SVS 25LC	31	72	82.8 102	59	45	M8	6.8	61.4 80.6	16	14.8	12	25.5	7.8	5.1	12	4.5	3.9	B-M6F	5.5		
SVS 30C SVS 30LC	38	90	98 120.5	72	52	M10	8.5	72.1 94.6	18.1	16.9	14	31	10.3	7	12	6.5	3.9	B-M6F	7		
SVS 35C SVS 35LC	44	100	109.5 135	82	62	M10	8.5	79 104.5	20.1	18.9	16	35	12.1	8	12	6	5.2	B-M6F	9		
SVS 45C SVS 45LC	52	120	138.2 171	100	80	M12	10.5	105 137.8	22.1	20.6	20	40.4	13.9	8	16	8.5	5.2	B-PT1/8	11.6		
SVS 55C SVS 55LC	63	140	163.3 200.5	116	95	M14	12.5	123.6 160.8	24	22.5	22	49	16.6	10	16	10	5.2	B-PT1/8	14		
SVS 65C SVS 65LC	75	170	186 246	142	110	M16	14.5	143.6 203.6	28	26	25	60	19	15	16	8.7	8.2	B-PT1/8	15		

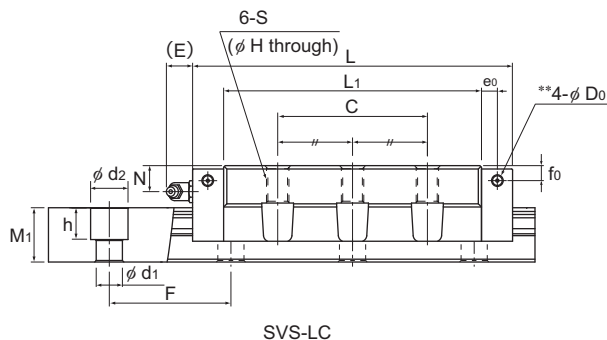
## Model number coding

**SVS45 LC 2 QZ TTHH C0 +1200L P T - II**

Model No.	Type of LM block	With QZ Lubricator	Contamination protection accessory symbol (*1)	LM rail length (in mm)	Radial clearance symbol (*2)	Symbol for LM rail jointed use	Symbol for No. of rails used on the same plane (*4)
		No. of LM blocks used on the same rail		Normal (No symbol) Light preload (C1) Medium preload (C0)	Normal grade (No Symbol)/High accuracy grade (H) Precision grade (P)/Super precision grade (SP) Ultra precision grade (UP)		

(\*1) See contamination protection accessory on **A1-516**. (\*2) See **A1-71**. (\*3) See **A1-77**. (\*4) See **A1-13**.

Note) This model number indicates that an LM block and an LM rail constitute one set (i.e., the required number of sets when 2 rails are used in parallel is 2).  
Those models equipped with QZ Lubricator cannot have a grease nipple. When desiring a grease nipple for a model attached with QZ, contact THK.



SVS-LC

Unit: mm

LM rail dimensions						Basic load rating		Static permissible moment kN·m*					Mass	
Width	Height	Pitch		Length	C	C <sub>0</sub>	M <sub>A</sub>		M <sub>B</sub>		M <sub>C</sub>	LM block	LM rail	
W <sub>1</sub> 0 -0.05	W <sub>2</sub>	M <sub>1</sub>	F	d <sub>1</sub> ×d <sub>2</sub> ×h	Max*	kN	kN	1 block	Double blocks	1 block	Double blocks	1 block	kg	kg/m
25	23.5	17	40	6×9.5×8.5	3000	37 43.7	52.2 66.1	0.479 0.75	2.41 3.71	0.443 0.693	2.23 3.43	0.525 0.665	0.6 0.8	2.9
28	31	21	80	7×11×9	3000	52 64.4	70.1 95.2	0.722 1.31	3.86 6.3	0.667 1.21	3.58 5.83	0.798 1.08	1.1 1.5	4.2
34	33	24.5	80	9×14×12	3000	68.6 86.1	88.6 123	1 1.88	5.49 9.15	0.927 1.73	5.09 8.46	1.2 1.67	1.6 2	6.0
45	37.5	29	105	14×20×17	3090	105 123	142 178	2.19 3.58	10.9 17.5	2.02 3.31	10.1 16.2	2.6 3.44	2.7 3.6	9.5
53	43.5	36.5	120	16×23×20	3060	136 164	180 237	3.17 5.4	16.4 26	2.93 4.99	15.1 24	3.76 4.96	4.5 5.9	14
63	53.5	43	150	18×26×22	3000	208 260	269 370	5.76 10.7	27.7 49.6	5.33 9.88	25.6 45.8	6.66 9.16	7.8 11.0	19.6

Note1) The maximum length under "Length\*" indicates the standard maximum length of an LM rail. (See [A1-136](#).)

Static permissible moment \* 1 block: the static permissible moment with one LM block

Double blocks: static permissible moment when two LM blocks are in close contact with each other

For oil lubrication, be certain to let THK know the mounting orientation and where the LM block piping joint should be attached.

(Mounting orientation: see [A1-12](#), Lubricant: see [A24-2](#))

Total block length L

: The total block length L shown in the table is the length with the dust proof parts, code UU or SS.

If other contamination protection accessories or lubricant equipment are installed, the total block length will increase.

(See [A1-491](#) or [A1-512](#))

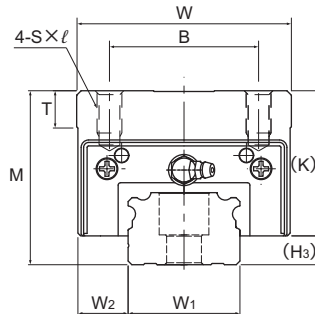
\*\* A pilot hole for side nipples, when a grease nipple for a model equipped with LaCS or QZ Lubricator is needed.

Pilot holes for side nipples are not drilled through for models other than those stated above.

For grease nipple mount machining, contact THK.

Note2) The basic load rating in the dimension table is for a load in the radial direction. Use Table7 on [A1-59](#) to calculate the load rating for loads in the reverse radial direction or lateral direction.

# Models SVR-RH, SVR-LRH, SVS-RH and SVS-LRH



Model No.	Outer dimensions			LM block dimensions													Grease nipple	H <sub>3</sub>
	Height	Width	Length	B	C	S × ℓ	L <sub>1</sub>	T	K	N	f <sub>0</sub>	E	e <sub>0</sub>	D <sub>0</sub>				
	M	W	L															
SVR 35RH SVS 35RH	55	70	109.5	50	50	M8 × 12	79	11.7	46	23.1	19	12	6	5.2	B-M6F	9		
SVR 35LRH SVS 35LRH	55	70	135	50	72	M8 × 12	104.5	11.7	46	23.1	19	12	6	5.2	B-M6F	9		
SVR 45RH SVS 45RH	70	86	138.2	60	60	M10 × 17	105	14.7	58.4	31.9	26	16	8.5	5.2	B-PT1/8	11.6		
SVR 45LRH SVS 45LRH	70	86	171	60	80	M10 × 17	137.8	14.7	58.4	31.9	26	16	8.5	5.2	B-PT1/8	11.6		
SVR 55RH SVS 55RH	80	100	163.3	75	75	M12 × 18	123.6	17.7	66	33.6	27	16	10	5.2	B-PT1/8	14		
SVR 55LRH SVS 55LRH	80	100	200.5	75	95	M12 × 18	160.8	17.7	66	33.6	27	16	10	5.2	B-PT1/8	14		

## Model number coding

**SVR35 RH 2 QZ TTHH C0 +920L H T - II**

Model No.

Type of LM block

With QZ Lubricator

Contamination protection accessory symbol (\*1)

LM rail length (in mm)  
Radial clearance symbol (\*2)  
Normal (No symbol)  
Light preload (C1)  
Medium preload (C0)

Symbol for LM rail jointed use

Symbol for No. of rails used on the same plane (\*4)

No. of LM blocks used on the same rail

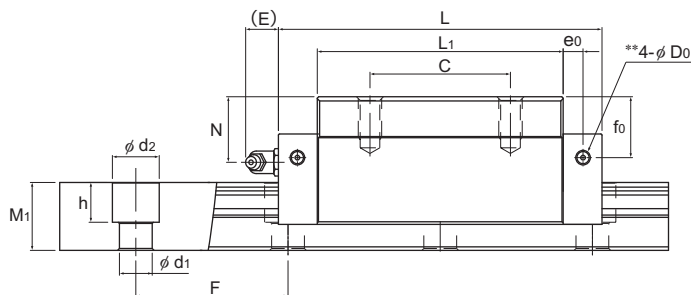
Accuracy symbol (\*3)  
Normal grade (No Symbol)/High accuracy grade (H)  
Precision grade (P)/Super precision grade (SP)  
Ultra precision grade (UP)

(\*1) See contamination protection accessory on **A1-516**. (\*2) See **A1-71**. (\*3) See **A1-77**. (\*4) See **A1-13**.

Note) This model number indicates that an LM block and an LM rail constitute one set (i.e., the required number of sets when 2 rails are used in parallel is 2).

Those models equipped with QZ Lubricator cannot have a grease nipple. When desiring a grease nipple for a model attached with QZ, contact THK.





Unit: mm

LM rail dimensions						Basic load rating		Static permissible moment kN·m*					Mass	
Width W <sub>1</sub> 0 -0.05	W <sub>2</sub>	Height M <sub>1</sub>	Pitch F	Length d <sub>1</sub> × d <sub>2</sub> × h	Length Max*	C kN	C <sub>0</sub> kN	M <sub>A</sub>		M <sub>B</sub>		M <sub>C</sub>	LM block kg	LM rail kg/m
								1 block	Double blocks	1 block	Double blocks	1 block		
34	18	24.5	80	9 × 14 × 12	3000	89.6 68.6	116 88.6	1.26 1	6.91 5.49	0.769 0.927	4.2 5.09	1.64 1.2	1.5	6.0
34	18	24.5	80	9 × 14 × 12	3000	112 86.1	160 123	2.35 1.88	11.5 9.15	1.42 1.73	6.91 8.46	2.26 1.67	2	6.0
45	20.5	29	105	14 × 20 × 17	3090	138 105	186 142	2.76 2.19	13.7 10.9	1.67 2.02	8.3 10.1	3.5 2.6	3.1	9.5
45	20.5	29	105	14 × 20 × 17	3090	161 123	233 178	4.52 3.58	22.1 17.5	2.74 3.31	13.4 16.2	4.6 3.44	4.1	9.5
53	23.5	36.5	120	16 × 23 × 20	3060	177 136	235 180	3.99 3.17	20.6 16.4	2.42 2.93	12.4 15.1	5.07 3.76	4.7	14
53	23.5	36.5	120	16 × 23 × 20	3060	214 164	309 237	6.8 5.4	32.7 26	4.1 4.99	19.7 24	6.67 4.96	6.2	14

Note1) The maximum length under "Length\*" indicates the standard maximum length of an LM rail. (See [A1-136](#).)

Static permissible moment\* 1 block: the static permissible moment with one LM block

Double blocks: static permissible moment when two LM blocks are in close contact with each other

For oil lubrication, be certain to let THK know the mounting orientation and where the LM block piping joint should be attached.

(Mounting orientation: see [A1-12](#), Lubricant: see [A24-2](#))

Total block length L

: The total block length L shown in the table is the length with the dust proof parts, code UU or SS.

If other contamination protection accessories or lubricant equipment are installed, the total block length will increase.

(See [A1-491](#) or [A1-512](#))

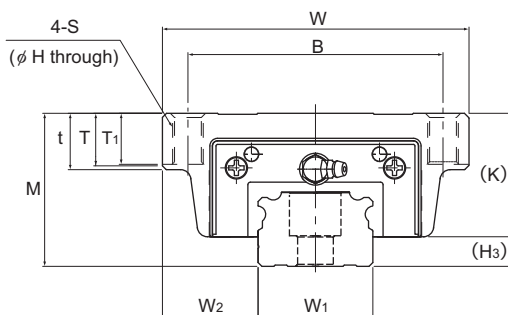
\*\* A pilot hole for side nipples, when a grease nipple for a model equipped with LaCS or QZ Lubricator is needed.

Pilot holes for side nipples are not drilled through for models other than those stated above.

For grease nipple mount machining, contact THK.

Note2) The basic load rating in the dimension table is for a load in the radial direction. Use Table7 on [A1-59](#) to calculate the load rating for loads in the reverse radial direction or lateral direction.

# Models SVR-CH, SVR-LCH, SVS-CH and SVS-LCH



Model No.	Outer dimensions			LM block dimensions																Grease nipple	H <sub>3</sub>
	Height	Width	Length	B	C	S	H	L <sub>1</sub>	t	T	T <sub>1</sub>	K	N	f <sub>0</sub>	E	e <sub>0</sub>	D <sub>0</sub>				
	M	W	L	B	C	S	H	L <sub>1</sub>	t	T	T <sub>1</sub>	K	N	f <sub>0</sub>	E	e <sub>0</sub>	D <sub>0</sub>		H <sub>3</sub>		
SVR 35CH SVS 35CH	48	100	109.5	82	62	M10	8.5	79	20	19	16	39	16.1	12	12	6	5.2	B-M6F	9		
SVR 35LCH SVS 35LCH	48	100	135	82	62	M10	8.5	104.5	20	19	16	39	16.1	12	12	6	5.2	B-M6F	9		
SVR 45CH SVS 45CH	60	120	138.2	100	80	M12	10.5	105	22	20.5	20	48.4	21.9	16	16	8.5	5.2	B-PT1/8	11.6		
SVR 45LCH SVS 45LCH	60	120	171	100	80	M12	10.5	137.8	22	20.5	20	48.4	21.9	16	16	8.5	5.2	B-PT1/8	11.6		
SVR 55CH SVS 55CH	70	140	163.3	116	95	M14	12.5	123.6	24	22.5	22	56	23.6	17	16	10	5.2	B-PT1/8	14		
SVR 55LCH SVS 55LCH	70	140	200.5	116	95	M14	12.5	160.8	24	22.5	22	56	23.6	17	16	10	5.2	B-PT1/8	14		

## Model number coding

**SVR45 LCH 2 QZ TTHH C0 +1200L P T -II**

Model No.

Type of LM block

With QZ Lubricator

Contamination protection accessory symbol (\*1)

LM rail length (in mm)  
Radial clearance symbol (\*2)  
Normal (No symbol)  
Light preload (C1)  
Medium preload (C0)

Symbol for LM rail jointed use

Symbol for No. of rails used on the same plane (\*4)

Accuracy symbol (\*3)

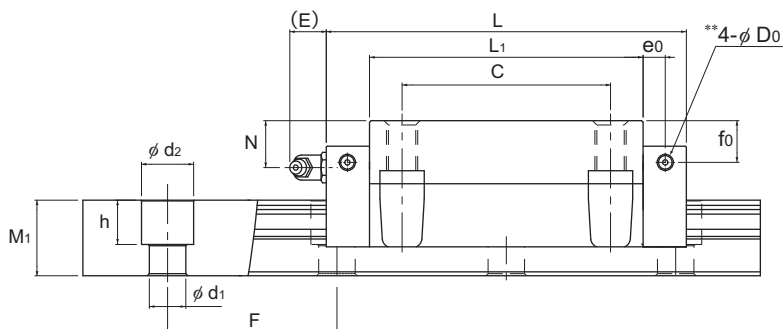
Normal grade (No Symbol)/High accuracy grade (H)  
Precision grade (P)/Super precision grade (SP)  
Ultra precision grade (UP)

No. of LM blocks used on the same rail

(\*1) See contamination protection accessory on **A1-516**. (\*2) See **A1-71**. (\*3) See **A1-77**. (\*4) See **A1-13**.

Note) This model number indicates that an LM block and an LM rail constitute one set (i.e., the required number of sets when 2 rails are used in parallel is 2).

Those models equipped with QZ Lubricator cannot have a grease nipple. When desiring a grease nipple for a model attached with QZ, contact THK.



Unit: mm

LM rail dimensions						Basic load rating		Static permissible moment kN·m*					Mass	
Width W <sub>1</sub> 0 -0.05	W <sub>2</sub>	Height M <sub>1</sub>	Pitch F	d <sub>1</sub> × d <sub>2</sub> × h	Length Max*	C kN	C <sub>0</sub> kN	M <sub>a</sub>		M <sub>b</sub>		M <sub>c</sub>	LM block kg	LM rail kg/m
								1 block	Double blocks	1 block	Double blocks	1 block		
34	33	24.5	80	9 × 14 × 12	3000	89.6	116	1.26	6.91	0.769	4.2	1.64	1.7	6.0
						68.6	88.6	1	5.49	0.927	5.09	1.2		
34	33	24.5	80	9 × 14 × 12	3000	112	160	2.35	11.5	1.42	6.91	2.26	2.2	6.0
						86.1	123	1.88	9.15	1.73	8.46	1.67		
45	37.5	29	105	14 × 20 × 17	3090	138	186	2.76	13.7	1.67	8.3	3.5	3.3	9.5
						105	142	2.19	10.9	2.02	10.1	2.6		
45	37.5	29	105	14 × 20 × 17	3090	161	233	4.52	22.1	2.74	13.4	4.6	4.3	9.5
						123	178	3.58	17.5	3.31	16.2	3.44		
53	43.5	36.5	120	16 × 23 × 20	3060	177	235	3.99	20.6	2.42	12.4	5.07	5.1	14
						136	180	3.17	16.4	2.93	15.1	3.76		
53	43.5	36.5	120	16 × 23 × 20	3060	214	309	6.8	32.7	4.1	19.7	6.67	6.6	14
						164	237	5.4	26	4.99	24	4.96		

Note1) The maximum length under "Length\*" indicates the standard maximum length of an LM rail. (See [A1-136](#).)

Static permissible moment\* 1 block: the static permissible moment with one LM block

Double blocks: static permissible moment when two LM blocks are in close contact with each other

For oil lubrication, be certain to let THK know the mounting orientation and where the LM block piping joint should be attached.

(Mounting orientation: see [A1-12](#), Lubricant: see [A24-2](#))

Total block length L

: The total block length L shown in the table is the length with the dust proof parts, code UU or SS.

If other contamination protection accessories or lubricant equipment are installed, the total block length will increase.

(See [A1-491](#) or [A1-512](#))

\*\* A pilot hole for side nipples, when a grease nipple for a model equipped with LaCS or QZ Lubricator is needed.

Pilot holes for side nipples are not drilled through for models other than those stated above.

For grease nipple mount machining, contact THK.

Note2) The basic load rating in the dimension table is for a load in the radial direction. Use Table7 on [A1-59](#) to calculate the load rating for loads in the reverse radial direction or lateral direction.

## Standard Length and Maximum Length of the LM Rail

Table1 shows the standard lengths and the maximum lengths of model SVR/SVS variations. If the maximum length of the desired LM rail exceeds them, jointed rails will be used. Contact THK for details.

For special rail lengths, it is recommended to use a value corresponding to the G,g dimension from the table. As the G,g dimension increases, this portion becomes less stable, and the accuracy performance is severely impacted.

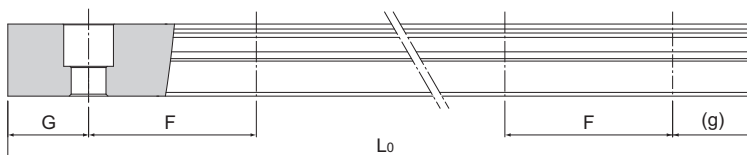


Table1 Standard Length and Maximum Length of the LM Rail for Models SVR/SVS

Unit: mm

Model No.	SVR/SVS 25	SVR/SVS 30	SVR/SVS 35	SVR/SVS 45	SVR/SVS 55	SVR/SVS 65
LM rail standard length (L <sub>0</sub> )	230	280	280	570	780	1270
	270	360	360	675	900	1570
	350	440	440	780	1020	2020
	390	520	520	885	1140	2620
	470	600	600	990	1260	
	510	680	680	1095	1380	
	590	760	760	1200	1500	
	630	840	840	1305	1620	
	710	920	920	1410	1740	
	750	1000	1000	1515	1860	
	830	1080	1080	1620	1980	
	950	1160	1160	1725	2100	
	990	1240	1240	1830	2220	
	1070	1320	1320	1935	2340	
	1110	1400	1400	2040	2460	
	1190	1480	1480	2145	2580	
	1230	1560	1560	2250	2700	
	1310	1640	1640	2355	2820	
	1350	1720	1720	2460	2940	
	1430	1800	1800	2565	3060	
	1470	1880	1880	2670		
	1550	1960	1960	2775		
	1590	2040	2040	2880		
	1710	2200	2200	2985		
	1830	2360	2360	3090		
	1950	2520	2520			
	2070	2680	2680			
2190	2840	2840				
2310	3000	3000				
2430						
2470						
Standard pitch F	40	80	80	105	120	150
G,g	15	20	20	22.5	30	35
Max length	3000	3000	3000	3090	3060	3000

Note1) The maximum length varies with accuracy grades. Contact THK for details.

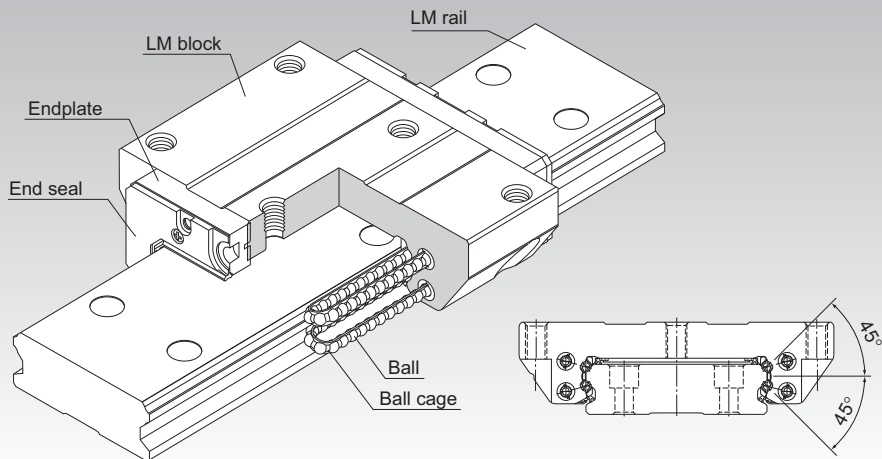
Note2) If jointed rails are not allowed and a greater length than the maximum values above is required, contact THK.



# SHW



## Caged Ball LM Guide Wide Rail Model SHW



\*For the ball cage, see **A1-88**.

**Point of Selection** **A1-10**

**Point of Design** **A1-454**

**Options** **A1-477**

**Model No.** **A1-543**

**Precautions on Use** **A1-549**

**Accessories for Lubrication** **A24-1**

**Mounting Procedure and Maintenance** **B1-89**

Equivalent moment factor **A1-43**

Rated Loads in All Directions **A1-59**

Equivalent factor in each direction **A1-61**

Radial Clearance **A1-71**

Accuracy Standards **A1-77**

Shoulder Height of the Mounting Base and the Corner Radius **A1-467**

Permissible Error of the Mounting Surface **A1-471**

Dimensions of Each Model with an Option Attached **A1-491**

---

## Structure and Features

---

A wide and highly rigid LM Guide that uses ball cages to achieve low noise, long-term maintenance-free operation and high speed.

### [Wide, Low Center of Gravity]

Model SHW, which has a wide LM rail and a low center of gravity, is optimal for locations requiring space saving and large  $M_o$  moment rigidity.

### [4-way Equal Load]

Each row of balls is placed at a contact angle of  $45^\circ$  so that the rated loads applied to the LM block are uniform in the four directions (radial, reverse radial and lateral directions), enabling the LM Guide to be used in all orientations and in extensive applications.

### [Self-adjustment Capability]

The self-adjustment capability through front-to-front configuration of THK's unique circular-arc grooves (DF set) enables a mounting error to be absorbed even under a preload, thus to achieve highly accurate, smooth straight motion.

### [Low Dust Generation]

Use of ball cages eliminates friction between balls and retains lubricant, thus achieving low dust generation.

---

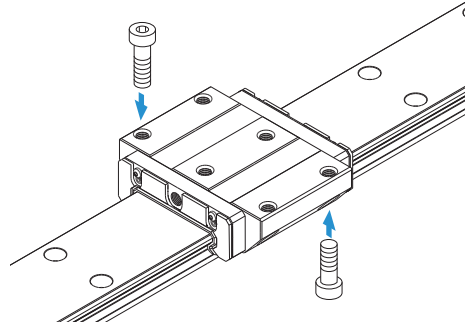
## Types and Features

---

### Model SHW-CA

The flange of the LM block has tapped holes.  
Can be mounted from the top or the bottom.

Specification Table⇒ [A1-142](#)

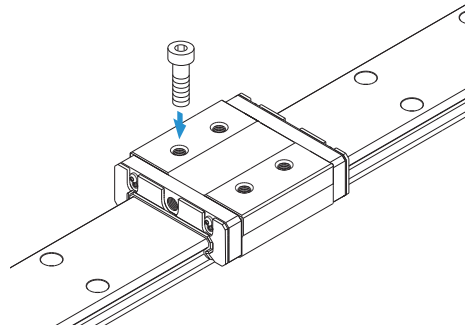


---

### Model SHW-CR

The LM block has tapped holes.

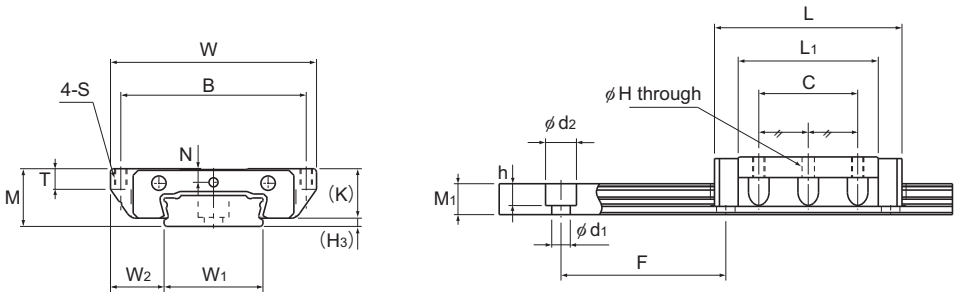
Specification Table⇒ [A1-144](#)







# Model SHW-CA



Models SHW12CAM and SHW14CAM

Model No.	Outer dimensions			LM block dimensions								
	Height	Width	Length	B	C	S	H	L <sub>1</sub>	T	K	N	H <sub>3</sub>
	M	W	L									
SHW 12CAM	12	40	37	35	18	M3	2.5	27	4	10	2.8	2
SHW 14CAM	14	50	45.5	45	24	M3	2.5	34	5	12	3.3	2
SHW 17CAM	17	60	51	53	26	M4	3.3	38	6	14.5	4	2.5
SHW 21CA	21	68	59	60	29	M5	4.4	43.6	8	17.7	5	3.3
SHW 27CA	27	80	72.8	70	40	M6	5.3	56.6	10	23.5	6	3.5
SHW 35CA	35	120	107	107	60	M8	6.8	83	14	31	7.6	4
SHW 50CA	50	162	141	144	80	M10	8.6	107	18	46	14	4

Note) The M in the model number symbol indicates that the LM block, LM rail and balls are made of stainless steel. The stainless steel provides excellent corrosion and environmental resistance.

## Model number coding

**SHW17 CA 2 QZ UU C1 M +580L P M -II**

Model number

Type of LM block

With QZ Lubricator

Contamination protection accessory symbol (\*1)

Stainless steel LM block

LM rail length (in mm)

Stainless steel LM rail

Symbol for No. of rails used on the same plane (\*4)

No. of LM blocks used on the same rail

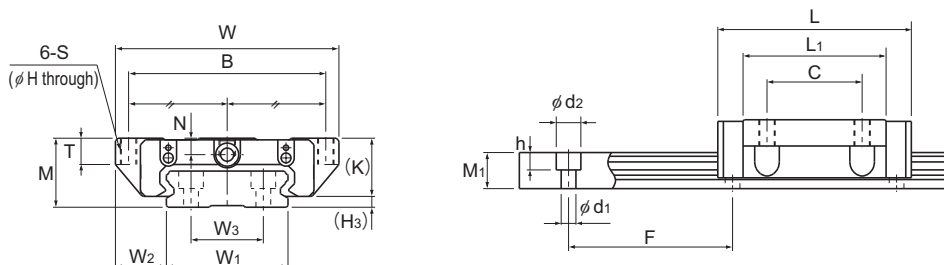
Radial clearance symbol (\*2)  
Normal (No symbol)  
Light preload (C1)  
Medium preload (C0)

Accuracy symbol (\*3)  
Normal grade (No Symbol)/High accuracy grade (H)  
Precision grade (P)/Super precision grade (SP)  
Ultra precision grade (UP)

(\*1) See contamination protection accessory on **A1-516**. (\*2) See **A1-71**. (\*3) See **A1-77**. (\*4) See **A1-13**.

Note) This model number indicates that a single-rail unit constitutes one set. (i.e., required number of sets when 2 rails are used in parallel is 2 at a minimum.)

Those models equipped with QZ Lubricator cannot have a grease nipple. When desiring a grease nipple for a model attached with QZ, contact THK.



Models SHW17CAM and SHW21 to 50CA

Unit: mm

LM rail dimensions										Basic load rating		Static permissible moment kN·m*					Mass	
Width			Height	Pitch		Length*	C	C <sub>0</sub>	M <sub>A</sub>		M <sub>B</sub>		M <sub>C</sub>	LM block	LM rail			
W <sub>1</sub>	W <sub>2</sub>	W <sub>3</sub>	M <sub>1</sub>	F	d <sub>1</sub> × d <sub>2</sub> × h	Max	kN	kN	1 block		Double blocks		1 block	kg	kg/m			
0 -0.05									1	Double blocks	1	Double blocks	1					
18	11	—	6.6	40	4.5 × 7.5 × 5.3	1230	4.31	5.66	0.0228	0.12	0.0228	0.12	0.0405	0.05	0.8			
24	13	—	7.5	40	4.5 × 7.5 × 5.3	1430	7.05	8.98	0.0466	0.236	0.0466	0.236	0.0904	0.1	1.23			
33	13.5	18	8.6	40	4.5 × 7.5 × 5.3	1800	7.65	10.18	0.0591	0.298	0.0591	0.298	0.164	0.15	1.9			
37	15.5	22	11	50	4.5 × 7.5 × 5.3	3000	8.24	12.8	0.0806	0.434	0.0806	0.434	0.229	0.24	2.9			
42	19	24	15	60	4.5 × 7.5 × 5.3	3000	16	22.7	0.187	0.949	0.187	0.949	0.455	0.47	4.5			
69	25.5	40	19	80	7 × 11 × 9	3000	35.5	49.2	0.603	3	0.603	3	1.63	1.4	9.6			
90	36	60	24	80	9 × 14 × 12	3000	70.2	91.4	1.46	7.37	1.46	7.37	3.97	3.7	15			

Note) The maximum length under "Length\*" indicates the standard maximum length of an LM rail. (See [A1-146](#).)

Static permissible moment\* 1 block: the static permissible moment with one LM block

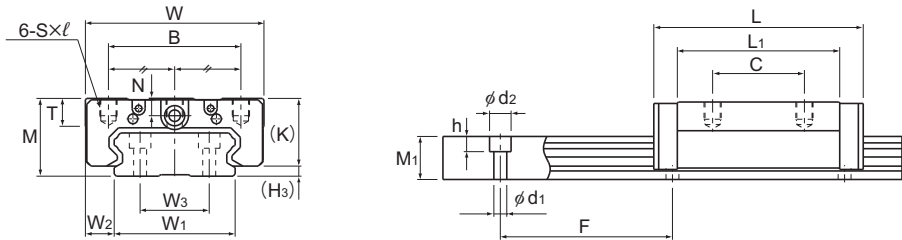
Double blocks: static permissible moment when two LM blocks are in close contact with each other

Total block length L : The total block length L shown in the table is the length with the dust proof parts, code UU or SS.

If other contamination protection accessories or lubricant equipment are installed, the total block length will increase.

(See [A1-491](#) or [A1-512](#))

# Models SHW-CR and SHW-HR



Models SHW27 to 50CR

Model No.	Outer dimensions			LM block dimensions							H <sub>3</sub>
	Height	Width	Length	B	C	S×ℓ	L <sub>1</sub>	T	K	N	
	M	W	L								
SHW 12CRM	12	30	37	21	12	M3×3.5	27	4	10	2.8	2
SHW 12HRM	12	30	50.4	21	24	M3×3.5	40.4	4	10	2.8	2
SHW 14CRM	14	40	45.5	28	15	M3×4	34	5	12	3.3	2
SHW 17CRM	17	50	51	29	15	M4×5	38	6	14.5	4	2.5
SHW 21CR	21	54	59	31	19	M5×6	43.6	8	17.7	5	3.3
SHW 27CR	27	62	72.8	46	32	M6×6	56.6	10	23.5	6	3.5
SHW 35CR	35	100	107	76	50	M8×8	83	14	31	7.6	4
SHW 50CR	50	130	141	100	65	M10×15	107	18	46	14	4

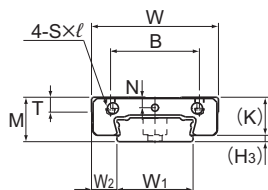
Note) The M in the model number symbol indicates that the LM block, LM rail and balls are made of stainless steel. The stainless steel provides excellent corrosion and environmental resistance.

## Model number coding

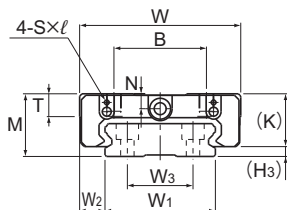
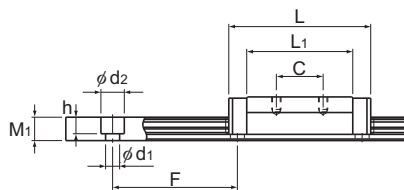
SHW17	CR	2	QZ	KKHH	C1	M	+820L	P	M	-II
Model number	Type of LM block	With QZ Lubricator	Contamination protection accessory symbol (*1)	Stainless steel LM block	LM rail length (in mm)	LM rail is made of stainless steel	Symbol for No. of rails used on the same plane (*4)			
	No. of LM blocks used on the same rail		Radial clearance symbol (*2)	Accuracy symbol (*3)						
			Normal (No symbol)	Normal grade (No Symbol)						
			Light preload (C1)	High accuracy grade (H)/Precision grade (P)						
			Medium preload (C0)	Super precision grade (SP)/Ultra precision grade (UP)						

(\*1) See contamination protection accessory on **A1-516**. (\*2) See **A1-71**. (\*3) See **A1-77**. (\*4) See **A1-13**.

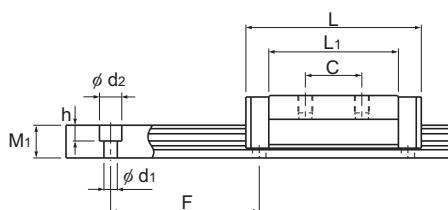
Note) Those models equipped with QZ Lubricator cannot have a grease nipple. When desiring a grease nipple for a model attached with QZ, contact THK.



Models SHW12CRM, SHW12HRM and SHW14CRM



Models SHW17CRM and SHW21CR



Unit: mm

		LM rail dimensions						Basic load rating		Static permissible moment kN·m*					Mass	
Width	W <sub>1</sub> 0 -0.05	W <sub>2</sub>	W <sub>3</sub>	Height M <sub>1</sub>	Pitch F	Length* d <sub>1</sub> ×d <sub>2</sub> ×h	Max	C kN	C <sub>0</sub> kN	M <sub>A</sub>		M <sub>B</sub>		M <sub>C</sub>	LM block kg	LM rail kg/m
										1 block	Double blocks	1 block	Double blocks	1 block		
18	6	—	6.6	40	4.5×7.5×5.3	1230	4.31	5.66	0.0228	0.12	0.0228	0.12	0.0405	0.04	0.8	
18	6	—	6.6	40	4.5×7.5×5.3	1230	5.56	8.68	0.0511	0.246	0.0511	0.246	0.0621	0.06	0.8	
24	8	—	7.5	40	4.5×7.5×5.3	1430	7.05	8.98	0.0466	0.236	0.0466	0.236	0.0904	0.08	1.23	
33	8.5	18	8.6	40	4.5×7.5×5.3	1800	7.65	10.18	0.0591	0.298	0.0591	0.298	0.164	0.13	1.9	
37	8.5	22	11	50	4.5×7.5×5.3	3000	8.24	12.8	0.0806	0.434	0.0806	0.434	0.229	0.19	2.9	
42	10	24	15	60	4.5×7.5×5.3	3000	16	22.7	0.187	0.949	0.187	0.949	0.455	0.36	4.5	
69	15.5	40	19	80	7×11×9	3000	35.5	49.2	0.603	3	0.603	3	1.63	1.2	9.6	
90	20	60	24	80	9×14×12	3000	70.2	91.4	1.46	7.37	1.46	7.37	3.97	3	15	

Note) The maximum length under "Length\*" indicates the standard maximum length of an LM rail. (See [A1-146](#).)  
 Static permissible moment\* 1 block: the static permissible moment with one LM block

Double blocks: static permissible moment when two LM blocks are in close contact with each other  
 Total block length L : The total block length L shown in the table is the length with the dust proof parts, code UU or SS.  
 If other contamination protection accessories or lubricant equipment are installed, the total block length will increase.  
 (See [A1-491](#) or [A1-512](#))

## Standard Length and Maximum Length of the LM Rail

Table1 shows the standard lengths and the maximum lengths of model SHW variations. If the maximum length of the desired LM rail exceeds them, jointed rails will be used. Contact THK for details. For special rail lengths, it is recommended to use a value corresponding to the G,g dimension from the table. As the G,g dimension increases, this portion becomes less stable, and the accuracy performance is severely impacted.

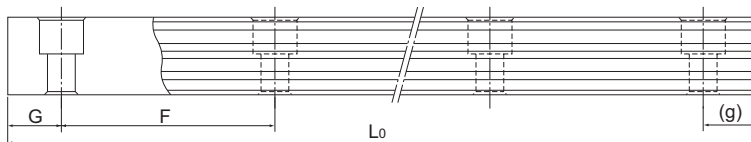


Table1 Standard Length and Maximum Length of the LM Rail for Model SHW

Unit: mm

Model No.	SHW 12	SHW 14	SHW 17	SHW 21	SHW 27	SHW 35	SHW 50
LM rail standard length ( $L_0$ )	70	70	110	130	160	280	280
	110	110	190	230	280	440	440
	150	150	310	380	340	760	760
	190	190	470	480	460	1000	1000
	230	230	550	580	640	1240	1240
	270	270		780	820	1560	1640
	310	310					2040
	390	390					
	470	470					
		550					
	670						
Standard pitch F	40	40	40	50	60	80	80
G,g	15	15	15	15	20	20	20
Max length	1230	1430	1800	3000	3000	3000	3000

Note1) The maximum length varies with accuracy grades. Contact THK for details.

Note2) If jointed rails are not allowed and a greater length than the maximum values above is required, contact THK.

Note3) Models SHW12, 14 and 17 are made of stainless steel.

## Greasing Hole

### [Grease Nipple and Greasing Hole for Model SHW]

Model SHW does not have a grease nipple as standard. Installation of a grease nipple and the drilling of a greasing hole is performed at THK. When ordering SHW, indicate that the desired model requires a grease nipple or greasing hole. (For greasing hole dimensions and supported grease nipple types and dimensions, see Table2).

When using SHW under harsh conditions, use QZ Lubricator\* (optional) or Laminated Contact Scraper LaCS\* (optional).

Note1) Grease nipple is not available for models SHW12 and SHW14. They can have a greasing hole.

Note2) Using a greasing hole other than for greasing may cause damage.

Note3) For QZ Lubricator\*, see [A1-509](#). For Laminated Contact Scraper LaCS\*, see [A1-484](#).

Note4) When desiring a grease nipple for a model attached with QZ Lubricator, contact THK.

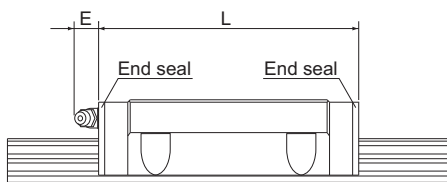


Fig.1 Dimensions of the Grease Nipple for Model SHW

Note) For the L dimension, see the corresponding specification table.

Table2 Table of Grease Nipple and Greasing Hole Dimensions

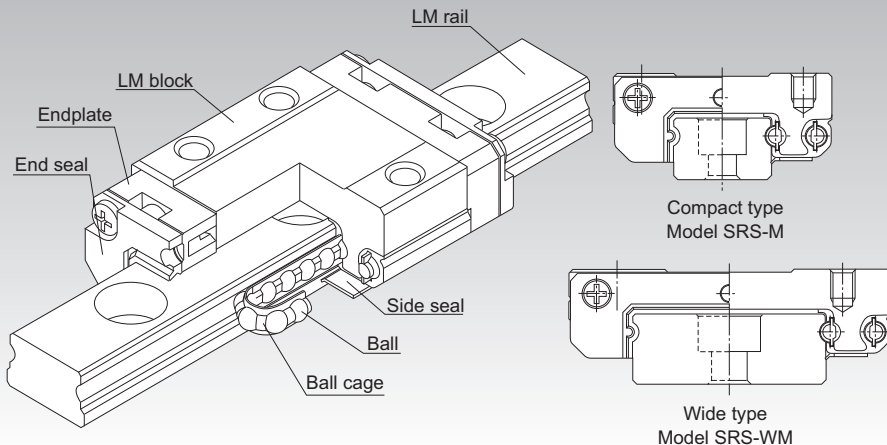
Unit: mm

Model No.	E	Grease nipple or greasing hole
SHW	12	— φ2.2 drilled hole
	14	— φ2.2 drilled hole
	17	5 PB107
	21	5.5 PB1021B
	27	12 B-M6F
	35	12 B-M6F
	50	16 B-PT1/8

# SRS



## Caged Ball LM Guide Miniature Type Model SRS



\*For the ball cage, see **A1-88**.

**Point of Selection** **A1-10**

**Point of Design** **A1-454**

**Options** **A1-477**

**Model No.** **A1-543**

**Precautions on Use** **A1-549**

**Accessories for Lubrication** **A24-1**

**Mounting Procedure and Maintenance** **B1-89**

Equivalent moment factor **A1-43**

Rated Loads in All Directions **A1-59**

Equivalent factor in each direction **A1-61**

Radial Clearance **A1-71**

Accuracy Standards **A1-83**

Shoulder Height of the Mounting Base and the Corner Radius **A1-469**

Permissible Error of the Mounting Surface **A1-471**

Flatness of the Mounting Surface **A1-472**

Dimensions of Each Model with an Option Attached **A1-491**



---

## Structure and Features

---

Caged Ball LM Guide model SRS has a structure where two raceways are incorporated into the compact body, enabling the model to receive loads in all directions, and to be used in locations where a moment is applied with a single rail. In addition, use of ball cages eliminates friction between balls, thus achieving high speed, low noise, acceptable running sound, long service life, and long-term maintenance-free operation.

### [Low Dust Generation]

Use of ball cages eliminates friction between balls and retains lubricant, thus achieving low dust generation. In addition, the LM block and LM rail use stainless steel, which is highly resistant to corrosion.

### [Compact]

Since SRS has a compact structure where the rail cross section is designed to be low and that contains only two rows of balls, it can be installed in space-saving locations.

### [Lightweight]

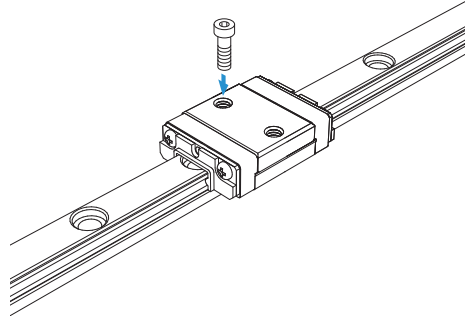
Since part of the LM block (e.g., around the ball relief hole) is made of resin and formed through insert molding, SRS is a lightweight, low inertia type of LM Guide.

## Types and Features

### Model SRS5M

Specification Table⇒ **A1-154**

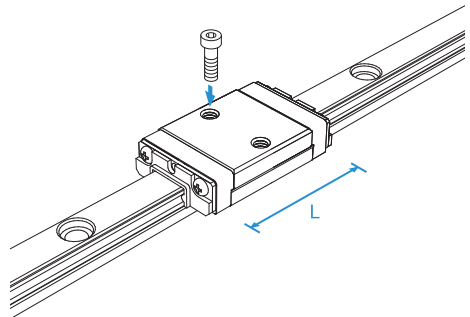
SRS5 is the smallest caged ball LM guide.



### Model SRS-5N

Specification Table⇒ **A1-154**

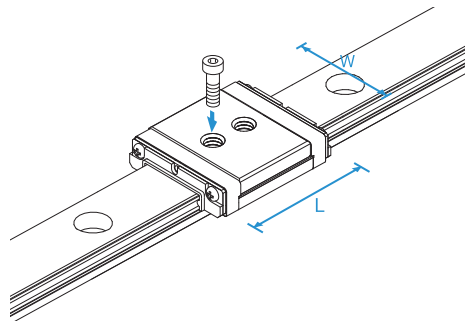
Overall LM block length (L) is greater than for model SRS5M; load rating and permissible moment are higher as well.



### Model SRS5WM

Specification Table⇒ **A1-158**

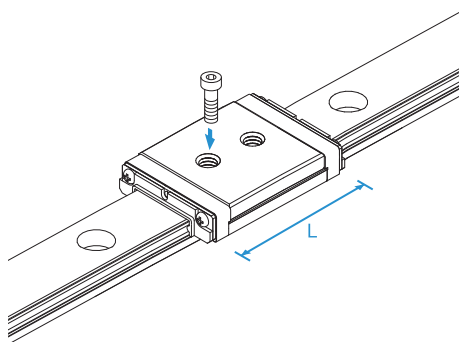
This model has a larger overall LM block length (L), width (W), rated load and permissible moment than model SRS5M.



## Model SRS-5WN

Overall LM block length (L) is greater than for model SRS5WM; load rating and permissible moment are higher as well.

Specification Table⇒ **A1-158**

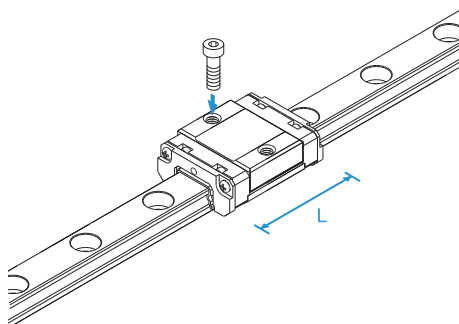


LM Guide

## Model SRS-S

Overall LM block length (L) is less than that of model SRS-M.

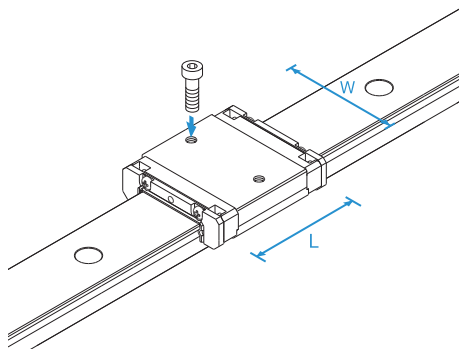
Specification Table⇒ **A1-154**



## Model SRS-WS

Has a longer overall LM block length (L), a greater width and a larger rated load and permissible moment than SRS-S.

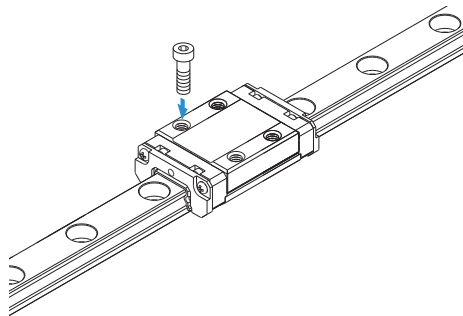
Specification Table⇒ **A1-158**



## Model SRS-M

A standard type of SRS.

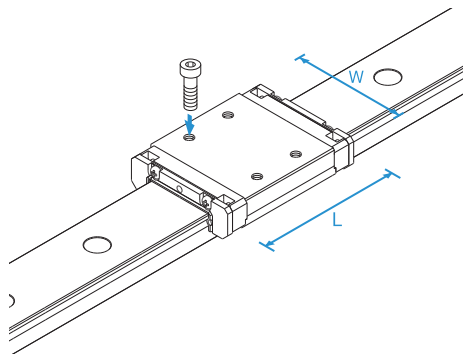
Specification Table⇒ [A1-154](#)



## Model SRS-WM

Has a longer overall LM block length (L), a greater width and a larger rated load and permissible moment than SRS-M.

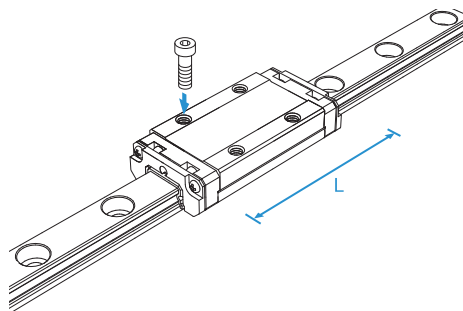
Specification Table⇒ [A1-158](#)



## Model SRS-N

Compared with model SRS-M, it has a longer total LM block length (L) and a higher load rating and permissible moment.

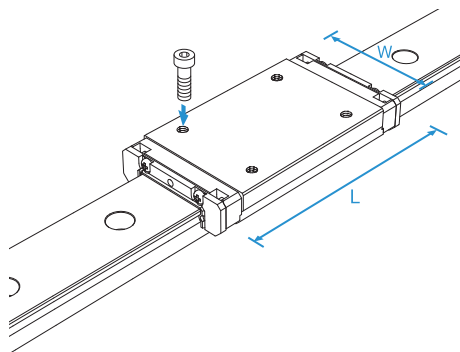
Specification Table⇒ [A1-154](#)



## Model SRS-WN

Compared with Model SRS-WM, it has a longer total LM block length (L) and a higher load rating and permissible moment.

Specification Table⇒ **A1-158**



## SRS-G

Specification Table⇒ **A1-154 to A1-160**

The SRS-G, a model equipped with uncaged, full-complement bearings, is also available. Due to its cageless design, however, the SRS-G's dynamic load rating is lower than that of standard SRS models. For specific data, please refer to the dimension tables in this catalog.

## Flatness of the LM Rail and the LM Block Mounting Surface

Since the Model SRS has Gothic-arch grooves, any precision errors in the mounting surface may negatively affect its operability. Therefore, we recommend using SRS on mounting surfaces made with high precision.

Table1 Flatness of the LM Rail and the LM Block Mounting Surface

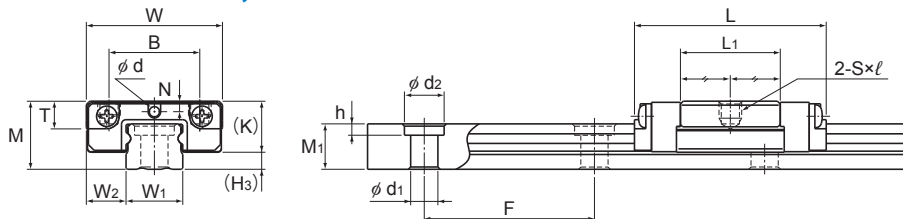
Unit: mm

Model No.	Flatness error
SRS 5	0.015/200
SRS 7	0.025/200
SRS 9	0.035/200
SRS 12	0.050/200
SRS 15	0.060/200
SRS 20	0.070/200
SRS 25	0.070/200

Note 1) As many factors can affect the mounting precision, we recommend using values 70% or less than those shown.

Note 2) The above figures apply to normal clearances. When using two or more rails with C1 clearance, we recommend using values 50% or less than those shown.

## Models SRS-S, SRS-M and SRS-N



Model SRS5

Model No.	Outer dimensions			LM block dimensions								H <sub>3</sub>	
	Height	Width	Length	B	C	S × l	L <sub>1</sub>	T	K	N	d		Greasing hole
	M	W	L										
SRS 5M SRS 5GM	6	12	16.9	8	—	M2 × 1.5	8.8	1.7	4.5	0.93	0.8	1.5	
SRS 5N SRS 5GN	6	12	20.1	8	—	M2 × 1.5	12	1.7	4.5	0.93	0.8	1.5	
SRS 7S SRS 7GS	8	17	19	12	—	M2 × 2.3	9	3.3	6.7	1.6	1.2	1.3	
SRS 7M SRS 7GM	8	17	23.4	12	8	M2 × 2.3	13.4	3.3	6.7	1.6	1.2	1.3	
SRS 7N SRS 7GN	8	17	31	12	13	M2 × 2.3	21	3.3	6.7	1.6	1.2	1.3	
SRS 9XS SRS 9XGS	10	20	21.5	15	—	M3 × 2.8	10.5	4.5	8.5	2.4	1.6	1.5	
SRS 9XM SRS 9XGM	10	20	30.8	15	10	M3 × 2.8	19.8	4.5	8.5	2.4	1.6	1.5	
SRS 9XN SRS 9XGN	10	20	40.8	15	16	M3 × 2.8	29.8	4.5	8.5	2.4	1.6	1.5	
SRS 12S SRS 12GS	13	27	25	20	—	M3 × 3.2	11.2	5.7	11	3	2	2.1	
SRS 12M SRS 12GM	13	27	34.4	20	15	M3 × 3.2	20.6	5.7	11	3	2	2.1	
SRS 12N SRS 12GN	13	27	47.1	20	20	M3 × 3.2	33.3	5.7	11	3	2	2.1	

Note) Since stainless steel is used in the LM block, LM rail and balls, these models are highly resistant to corrosion and environment.  
The SRS-G is equipped with uncaged, full-complement bearings.  
Using a greasing hole other than for greasing may cause damage.

### Model number coding

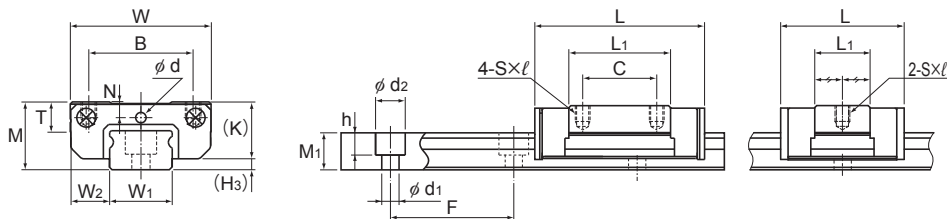
**2 SRS12M QZ UU C1 +220L P M - II**

Model No.    With QZ Lubricator    Contamination protection accessory symbol (\*2)    LM rail length (in mm)    Stainless steel LM rail    Symbol for No. of rails used on the same plane (\*5)

No. of LM blocks used on the same rail (\*1)    Radial clearance symbol (\*3)    Normal (No symbol)/Light preload (C1)    Accuracy symbol (\*4)    Normal grade (No Symbol)/High accuracy grade (H)    Precision grade (P)

(\*1) No symbol for 1 LM block. (\*2) See contamination protection accessories on **A1-516**.  
(\*3) See **A1-71**. (\*4) See **A1-83**. (\*5) See **A1-13**.

Note) This model number indicates that a single-rail unit constitutes one set. (i.e., required number of sets when 2 rails are used in parallel is 2 at a minimum.)  
Those models equipped with QZ Lubricator cannot have a grease nipple. When desiring a grease nipple for a model attached with QZ, contact THK.



Models SRS7M/N, 9XM/XN, 12M/N

Models SRS7S, 9XS, 12S  
Unit: mm

LM rail dimensions						Basic load rating		Static permissible moment N·m*					Mass	
Width	Height	Pitch	Length*	C	C <sub>0</sub>	M <sub>A</sub>		M <sub>B</sub>		M <sub>C</sub>	LM block	LM rail		
						1 block	Double blocks	1 block	Double blocks	1 block			kg	kg/m
W <sub>1</sub>	W <sub>2</sub>	M <sub>1</sub>	F	d <sub>1</sub> × d <sub>2</sub> × h	Max	kN	kN	1 block	Double blocks	1 block	Double blocks	1 block	kg	kg/m
5 <sup>0</sup> <sub>-0.02</sub>	3.5	4	15	2.4 × 3.5 × 1	220	0.439 0.366	0.468 0.527	0.74 0.79	5.11 5.76	0.86 0.94	5.99 6.91	1.21 1.37	0.002	0.13
5 <sup>0</sup> <sub>-0.02</sub>	3.5	4	15	2.4 × 3.5 × 1	220	0.515 0.448	0.586 0.703	1.12 1.34	7.45 8.82	1.31 1.57	8.73 10.3	1.52 1.83	0.003	0.13
7 <sup>0</sup> <sub>-0.02</sub>	5	4.7	15	2.4 × 4.2 × 2.3	480	1.09 0.946	0.964 1.16	1.60 1.96	12.6 14.7	1.83 2.25	14.5 16.9	3.73 4.49	0.005	0.25
7 <sup>0</sup> <sub>-0.02</sub>	5	4.7	15	2.4 × 4.2 × 2.3	480	1.51 1.16	1.29 1.54	3.09 3.61	17.2 25.5	3.69 4.14	17.3 29.4	5.02 6.57	0.009	0.25
7 <sup>0</sup> <sub>-0.02</sub>	5	4.7	15	2.4 × 4.2 × 2.3	480	2.01 1.63	2.31 2.51	7.77 8.08	43.2 46.9	8.96 9.32	50.0 54.2	8.96 9.72	0.012	0.25
9 <sup>0</sup> <sub>-0.02</sub>	5.5	5.5	20	3.5 × 6 × 3.3	1240	1.78 1.37	1.53 1.53	3.15 2.85	22.2 22.6	3.61 3.27	25.6 26	7.04 7.04	0.009	0.36
9 <sup>0</sup> <sub>-0.02</sub>	5.5	5.5	20	3.5 × 6 × 3.3	1240	2.69 2.22	2.75 3.06	9.31 9.87	52.2 57.9	10.7 11.4	60.3 66.9	12.7 14.1	0.016	0.36
9 <sup>0</sup> <sub>-0.02</sub>	5.5	5.5	20	3.5 × 6 × 3.3	1240	3.48 2.94	3.98 4.59	18.7 21.1	96.5 111	21.6 24.4	112 128	18.3 21.1	0.024	0.36
12 <sup>0</sup> <sub>-0.02</sub>	7.5	7.5	25	3.5 × 6 × 4.5	2000	2.70 2.07	2.10 2.10	4.62 4.17	37.5 38.1	4.62 4.17	37.5 38.1	13.8 13.8	0.017	0.65
12 <sup>0</sup> <sub>-0.02</sub>	7.5	7.5	25	3.5 × 6 × 4.5	2000	4.00 3.36	3.53 3.55	12.0 12.1	78.5 79.0	12.0 12.1	78.5 79.0	23.1 23.2	0.027	0.65
12 <sup>0</sup> <sub>-0.02</sub>	7.5	7.5	25	3.5 × 6 × 4.5	2000	5.82 4.72	5.30 6.83	28.4 34.8	151 195	28.4 34.8	151 195	34.7 44.7	0.049	0.65

Note1) The maximum length under "Length\*" indicates the standard maximum length of an LM rail. (See **A1-162**.)

Static permissible moment\* 1 block: the static permissible moment with one LM block

Double blocks: static permissible moment when two LM blocks are in close contact with each other

Total block length L : The total block length L shown in the table is the length with the dust proof parts, code UU or SS. If other contamination protection accessories or lubricant equipment are installed, the total block length will increase.

(See **A1-491** or **A1-512**)

For the SRS5M and SRS5N LM guide, the balls will fall out of the block if it is removed from the rail.

To secure the LM rail of model SRS5M, use cross-recessed head screws for precision equipment (No. 0 pan head screw, class 1) M2.

Note2) The basic load rating in the dimension table is for a load in the radial direction. Use Table7 on **A1-59** to calculate the load rating for loads in the reverse radial direction or lateral direction.

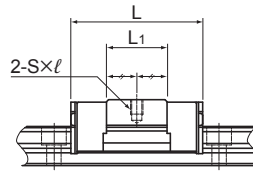
- Reference bolt tightening torque when mounting an LM block for model SRS 5 and 7 are shown in the table below.

Reference tightening torque

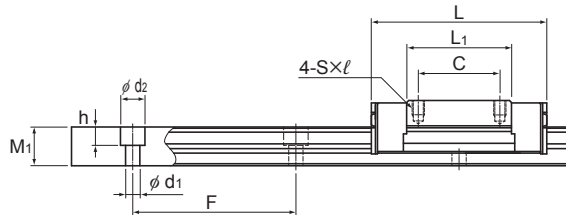
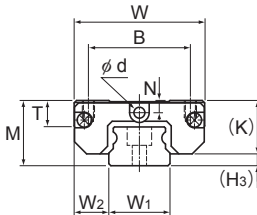
Model No.	Model No. of screw	Screw depth (mm)	Reference tightening torque(N·m)*
SRS 5	M2	1.5	0.4
SRS 7	M2	2.3	0.4

\*Tightening above the tightening torque affects accuracy.  
Be sure to tighten at or below the defined tightening torque.

# Models SRS-S, SRS-M and SRS-N



Model SRS15S



Models SRS15M/N, 20M, 25M

Model No.	Outer dimensions			LM block dimensions										H <sub>3</sub>
	Height	Width	Length	B	C	S × l	L <sub>1</sub>	T	K	N	E	Greasing hole	Grease nipple	
	M	W	L	B	C	S × l	L <sub>1</sub>	T	K	N	E	d		
SRS 15S SRS 15GS	16	32	32	25	—	M3 × 3.5	14.7	6.5	13.3	3	— 4	3 —	— PB107	2.7
SRS 15M SRS 15GM	16	32	43	25	20	M3 × 3.5	25.7	6.5	13.3	3	— 4	3 —	— PB107	2.7
SRS 15N SRS 15GN	16	32	60.8	25	25	M3 × 3.5	43.5	6.5	13.3	3	— 4	3 —	— PB107	2.7
SRS 20M SRS 20GM	20	40	50	30	25	M4 × 6	34	9	16.6	4	— 3.5	3 —	— PB107	3.4
SRS 25M SRS 25GM	25	48	77	35	35	M6 × 7	56	11	20	5	— 4	4 —	— PB1021B	5

Note) Since stainless steel is used in the LM block, LM rail and balls, these models are highly resistant to corrosion and environment.  
The SRS-G is equipped with uncaged, full-complement bearings.  
For the SRS15S/M/N, 20M, and 25M, if a grease nipple is required, please specify upon ordering.  
Using a greasing hole other than for greasing may cause damage.

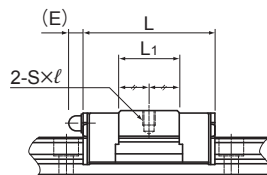
## Model number coding

**2 SRS20M QZ UU C1 +220L P M - II**

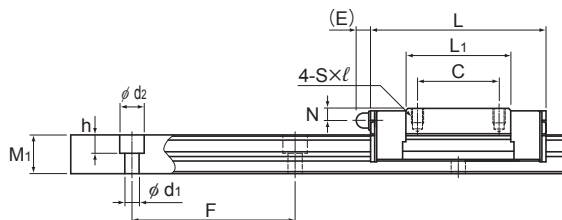
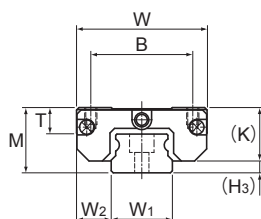
<p>Model No.</p> <p>No. of LM blocks used on the same rail (*1)</p>	<p>With QZ Lubricator</p>	<p>Contamination protection accessory symbol (*2)</p> <p>Radial clearance symbol (*3) Normal (No symbol)/Light preload (C1)</p>	<p>LM rail length (in mm)</p>	<p>Stainless steel LM rail</p>	<p>Symbol for No. of rails used on the same plane (*5)</p>
		<p>Accuracy symbol (*4) Normal grade (No Symbol)/High accuracy grade (H) Precision grade (P)</p>			
<p>(*1) No symbol for 1 LM block. (*2) See contamination protection accessories on <b>A1-516</b>. (*3) See <b>A1-71</b>. (*4) See <b>A1-83</b>. (*5) See <b>A1-13</b>.</p>					

Note) This model number indicates that a single-rail unit constitutes one set. (i.e., required number of sets when 2 rails are used in parallel is 2 at a minimum.)  
Those models equipped with QZ Lubricator cannot have a grease nipple. When desiring a grease nipple for a model attached with QZ, contact THK.





Model SRS15GS



Models SRS15GM/GN,20GM,25GM

Unit: mm

LM rail dimensions							Basic load rating		Static permissible moment N*m*					Mass	
Width	Height	Pitch	Length*	C	C <sub>0</sub>	M <sub>A</sub>	M <sub>B</sub>	M <sub>C</sub>	LM block	LM rail					
											kg	kg/m			
W <sub>1</sub>	W <sub>2</sub>	M <sub>1</sub>	F	d <sub>1</sub> × d <sub>2</sub> × h	Max	1 block	Double blocks	1 block	Double blocks	1 block	kg	kg/m			
15 <sup>0</sup> <sub>-0.02</sub>	8.5	9.5	40	3.5 × 6 × 4.5	2000	4.50 4.01	3.39 4.24	9.54 12.6	77.5 92.7	9.54 12.6	77.5 92.7	24.1 30.1	0.033	0.96	
15 <sup>0</sup> <sub>-0.02</sub>	8.5	9.5	40	3.5 × 6 × 4.5	2000	6.66 5.59	5.7 5.72	26.2 24.8	154 158	26.2 24.8	154 158	40.4 40.6	0.047	0.96	
15 <sup>0</sup> <sub>-0.02</sub>	8.5	9.5	40	3.5 × 6 × 4.5	2000	9.71 8.27	8.55 11.9	59.7 82.3	312 433	59.7 82.3	312 433	60.7 84.5	0.095	0.96	
20 <sup>0</sup> <sub>-0.03</sub>	10	11	60	6 × 9.5 × 8	1800	7.75 5.95	9.77 9.4	54.3 44.7	296 242	62.4 53.3	341 289	104 91.4	0.11	1.68	
23 <sup>0</sup> <sub>-0.03</sub>	12.5	15	60	7 × 11 × 9	1800	16.5 13.3	20.2 22.3	177 181	932 962	177 181	932 962	248 255	0.24	2.6	

Note1) The maximum length under "Length\*" indicates the standard maximum length of an LM rail. (See **A1-162**.)

Static permissible moment\* 1 block: the static permissible moment with one LM block

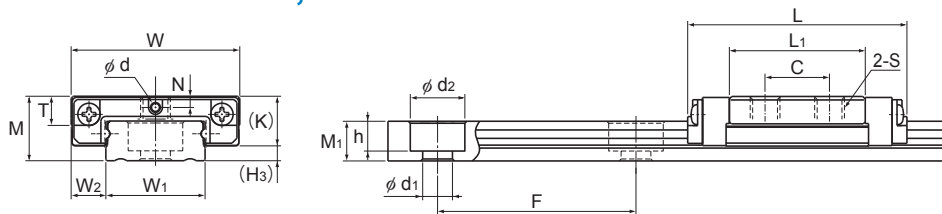
Double blocks: static permissible moment when two LM blocks are in close contact with each other

Total block length L : The total block length L shown in the table is the length with the dust proof parts, code UU or SS. If other contamination protection accessories or lubricant equipment are installed, the total block length will increase.

(See **A1-491** or **A1-512**)

Note2) The basic load rating in the dimension table is for a load in the radial direction. Use Table7 on **A1-59** to calculate the load rating for loads in the reverse radial direction or lateral direction.

# Models SRS-WS, SRS-WM and SRS-WN



Model SRS5

Model No.	Outer dimensions			LM block dimensions								Greasing hole	H <sub>3</sub>
	Height	Width	Length	B	C	S × ℓ	L <sub>1</sub>	T	K	N	d		
	M	W	L										
SRS 5WM SRS 5WGM	6.5	17	22.1	—	6.5	M3 through	13.7	2.7	5	1.1	0.8	1.5	
SRS 5WN SRS 5WGN	6.5	17	28.1	—	11	M3 through	19.7	2.7	5	1.1	0.8	1.5	
SRS 7WS SRS 7WGS	9	25	22.5	19	—	M3 × 2.8	11.9	3.8	7.2	1.8	1.2	1.8	
SRS 7WM SRS 7WGM	9	25	31	19	10	M3 × 2.8	20.4	3.8	7.2	1.8	1.2	1.8	
SRS 7WN SRS 7WGN	9	25	40.9	19	17	M3 × 2.8	30.3	3.8	7.2	1.8	1.2	1.8	
SRS 9WS SRS 9WGS	12	30	26.5	21	—	M3 × 2.8	14.5	4.9	9.1	2.3	1.6	2.9	
SRS 9WM SRS 9WGM	12	30	39	21	12	M3 × 2.8	27	4.9	9.1	2.3	1.6	2.9	
SRS 9WN SRS 9WGN	12	30	50.7	23	24	M3 × 2.8	38.7	4.9	9.1	2.3	1.6	2.9	
SRS 12WS SRS 12WGS	14	40	30.5	28	—	M3 × 3.5	16.9	5.7	11	3	2	3	
SRS 12WM SRS 12WGM	14	40	44.5	28	15	M3 × 3.5	30.9	5.7	11	3	2	3	
SRS 12WN SRS 12WGN	14	40	59.5	28	28	M3 × 3.5	45.9	5.7	11	3	2	3	

Note) Since stainless steel is used in the LM block, LM rail and balls, these models are highly resistant to corrosion and environment. The SRS-G is equipped with uncaged, full-complement bearings. Using a greasing hole other than for greasing may cause damage.

## Model number coding

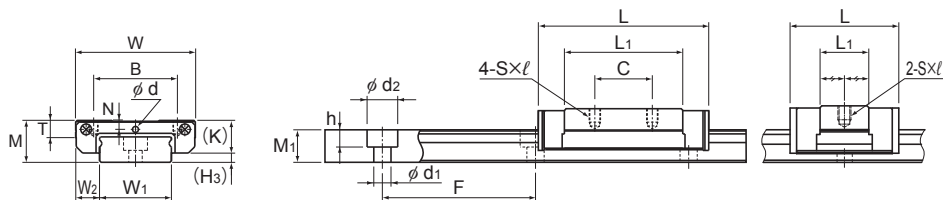
**2 SRS12WM QZ UU C1 +470L P M -II**

2: No. of LM blocks used on the same rail (\*1)  
 SRS12WM: Model No.  
 QZ: With QZ Lubricator  
 UU: Contamination protection accessory symbol (\*2)  
 C1: Radial clearance symbol (\*3) Normal (No symbol)/Light preload (C1)  
 +470L: LM rail length (in mm)  
 P: Accuracy symbol (\*4) Normal grade (No Symbol)/High accuracy grade (H) Precision grade (P)  
 M: Stainless steel LM rail  
 -II: Symbol for No. of rails used on the same plane (\*5)

(\*1) No symbol for 1 LM block. (\*2) See contamination protection accessories on **A1-51E**.




(\*3) See **A1-71**. (\*4) See **A1-83**. (\*5) See **A1-13**.

Note) This model number indicates that a single-rail unit constitutes one set. (i.e., required number of sets when 2 rails are used in parallel is 2 at a minimum.) Those models equipped with QZ Lubricator cannot have a grease nipple. When desiring a grease nipple for a model attached with QZ, contact THK.



Models SRS7WM/WN,9WM/WN,12WM/WN

Models SRS7 to 12WS  
Unit: mm

LM rail dimensions								Basic load rating		Static permissible moment N·m*					Mass	
Width			Height	Pitch		Length*	C	C <sub>0</sub>	M <sub>A</sub>		M <sub>B</sub>		M <sub>C</sub>	LM block	LM rail	
W <sub>1</sub>	W <sub>2</sub>	W <sub>3</sub>	M <sub>1</sub>	F	d <sub>1</sub> × d <sub>2</sub> × h	Max	kN	kN						kg	kg/m	
									1 block	Double blocks	1 block	Double blocks	1 block			
10 <sup>0</sup> <sub>-0.02</sub>	3.5	—	4	20	3×5.5×3	220	0.584 0.498	0.703 0.82	1.57 1.79	9.59 11.1	1.83 2.15	11.24 13.3	3.58 4.18	0.005	0.27	
10 <sup>0</sup> <sub>-0.02</sub>	3.5	—	4	20	3×5.5×3	220	0.746 0.64	0.996 1.17	3.01 3.54	16.8 19.6	3.53 4.15	19.3 23	5.08 5.97	0.007	0.27	
14 <sup>0</sup> <sub>-0.02</sub>	5.5	—	5.2	30	3.5×6×3.2	480	1.38 1.06	1.35 1.35	2.89 2.58	19.6 20.0	3.32 2.96	22.7 23.1	9.95 9.95	0.011	0.56	
14 <sup>0</sup> <sub>-0.02</sub>	5.5	—	5.2	30	3.5×6×3.2	480	2.01 1.63	1.94 2.51	6.47 8.87	36.4 51.5	7.71 10.2	42.3 59.5	14.33 20.3	0.018	0.56	
14 <sup>0</sup> <sub>-0.02</sub>	5.5	—	5.2	30	3.5×6×3.2	480	2.56 2.12	3.28 3.66	15.0 16.6	78.9 87.7	17.4 19.2	91.2 101	24.2 27	0.026	0.56	
18 <sup>0</sup> <sub>-0.02</sub>	6	—	7.5	30	3.5×6×4.5	1430	2.03 1.73	1.84 2.14	4.49 5.15	32.1 36.9	5.15 5.92	38.9 42.6	17.4 20.2	0.018	1.01	
18 <sup>0</sup> <sub>-0.02</sub>	6	—	7.5	30	3.5×6×4.5	1430	3.29 2.67	3.34 3.35	14.0 13.9	78.6 69.7	16.2 16.6	91.0 96.7	31.5 31.7	0.031	1.01	
18 <sup>0</sup> <sub>-0.02</sub>	6	—	7.5	30	3.5×6×4.5	1430	4.20 3.48	4.37 5.81	25.1 33.2	130 172	29.1 40	151 208	41.3 54.9	0.049	1.01	
24 <sup>0</sup> <sub>-0.02</sub>	8	—	8.5	40	4.5×8×4.5	2000	3.58 3.05	3.15 3.68	9.77 11.1	63 72.6	9.77 11.1	63 66	39.5 46.2	0.034	1.52	
24 <sup>0</sup> <sub>-0.02</sub>	8	—	8.5	40	4.5×8×4.5	2000	5.48 4.46	5.3 5.32	26.4 25.7	143 146	26.4 25.7	143 146	66.5 66.8	0.055	1.52	
24 <sup>0</sup> <sub>-0.02</sub>	8	—	8.5	40	4.5×8×4.5	2000	7.13 5.93	7.07 9.46	49.2 64.7	249 332	49.2 64.7	249 332	88.7 119	0.091	1.52	

Note1) The maximum length under "Length\*" indicates the standard maximum length of an LM rail. (See [A1-162](#).)

Static permissible moment\* 1 block: the static permissible moment with one LM block

Double blocks: static permissible moment when two LM blocks are in close contact with each other

Total block length L : The total block length L shown in the table is the length with the dust proof parts, code UU or SS. If other contamination protection accessories or lubricant equipment are installed, the total block length will increase.

(See [A1-491](#) or [A1-512](#))

For the SRS5WM and SRS5WN, the balls will fall out of the block if it is removed from the rail.

Note2) The basic load rating in the dimension table is for a load in the radial direction. Use Table7 on [A1-59](#) to calculate the load rating for loads in the reverse radial direction or lateral direction.

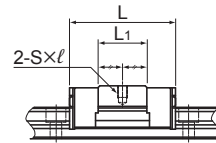
- Reference bolt tightening torque when mounting an LM block for model SRS 5 and 7W are shown in the table below.

Reference tightening torque

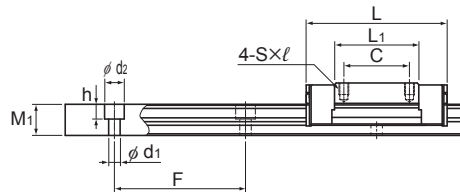
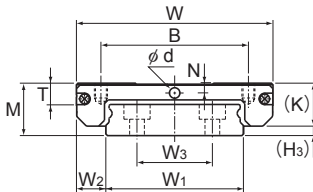
Model No.	Model No. of screw	Screw depth (mm)	Reference tightening torque(N·m)*
SRS 5W	M3	2.3	0.4
SRS 7W	M3	2.8	0.4

\*Tightening above the tightening torque affects accuracy.  
Be sure to tighten at or below the defined tightening torque.

# Models SRS-WS, SRS-WM and SRS-WN



Model SRS15WS



Model SRS15WM/WN

Model No.	Outer dimensions			LM block dimensions										Grease nipple	H <sub>3</sub>
	Height	Width	Length	B	C	S × ℓ	L <sub>1</sub>	T	K	N	E	d			
	M	W	L												
SRS 15WS	16	60	41.5	45	—	M4 × 4.5	24.9	6.5	13.3	3	—	3	—	—	2.7
SRS 15WGS														PB107	
SRS 15WM	16	60	55.5	45	20	M4 × 4.5	38.9	6.5	13.3	3	—	3	—	—	2.7
SRS 15WGM														PB107	
SRS 15WN	16	60	74.5	45	35	M4 × 4.5	57.9	6.5	13.3	3	—	3	—	—	2.7
SRS 15WGN														PB107	

Note) Since stainless steel is used in the LM block, LM rail and balls, these models are highly resistant to corrosion and environment. The SRS-G is equipped with uncaged, full-complement bearings. For the SRS15WS/WM/WN, if a grease nipple is required, please specify upon ordering. Using a greasing hole other than for greasing may cause damage.

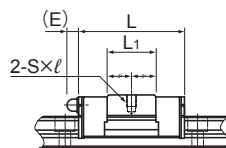
## Model number coding

**2 SRS15WM QZ UU C1 +550L P M - II**

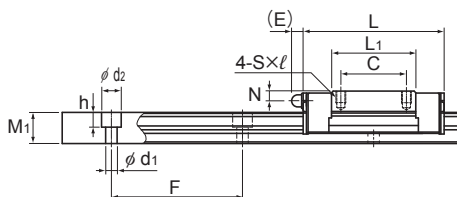
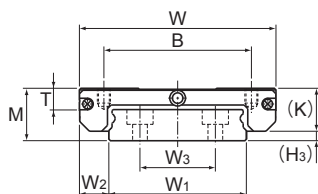
2	SRS15WM	QZ	UU	C1	+550L	P	M	- II
No. of LM blocks used on the same rail (*1)	Model No.	With QZ Lubricator	Contamination protection accessory symbol (*2)	Radial clearance symbol (*3) Normal (No symbol)/ Light preload (C1)	LM rail length (in mm)	Stainless steel LM rail	Accuracy symbol (*4) Normal grade (No Symbol)/High accuracy grade (H) Precision grade (P)	Symbol for No. of rails used on the same plane (*5)

(\*1) No symbol for 1 LM block. (\*2) See contamination protection accessories on **A1-516**. (\*3) See **A1-71**. (\*4) See **A1-83**. (\*5) See **A1-13**.

Note) This model number indicates that a single-rail unit constitutes one set. (i.e., required number of sets when 2 rails are used in parallel is 2 at a minimum.) Those models equipped with QZ Lubricator cannot have a grease nipple. When desiring a grease nipple for a model attached with QZ, contact THK.



Model SRS15WGS



Model SRS15WGM/WGN

Unit: mm

	LM rail dimensions							Basic load rating		Static permissible moment N·m*					Mass	
	Width	W <sub>2</sub>	W <sub>3</sub>	Height		Pitch	Length*	C	C <sub>0</sub>	M <sub>A</sub>		M <sub>B</sub>		M <sub>C</sub>	LM block	LM rail
				M <sub>1</sub>	F					d <sub>1</sub> × d <sub>2</sub> × h		Max	1 block			
	W <sub>1</sub>					Max	kN	kN	1 block	Double blocks	1 block	Double blocks	1 block	kg	kg/m	
	42 <sup>0</sup> <sub>-0.02</sub>	9	23	9.5	40	4.5×8×4.5	2000	6.64	5.94	25.4	158	25.4	158	123	0.087	2.87
								5.59	6.78	29	178	29	178	140		
	42 <sup>0</sup> <sub>-0.02</sub>	9	23	9.5	40	4.5×8×4.5	2000	9.12	8.55	51.2	290	51.2	290	176	0.13	2.87
								7.43	8.59	52.7	293	52.7	293	178		
	42 <sup>0</sup> <sub>-0.02</sub>	9	23	9.5	40	4.5×8×4.5	2000	12.4	12.1	106	532	106	532	250	0.201	2.87
								9.87	15.3	133	671	133	671	317		

Note) The maximum length under "Length \* " indicates the standard maximum length of an LM rail. (See [A1-162](#).)

Static permissible moment\* 1 block: the static permissible moment with one LM block

Double blocks: static permissible moment when two LM blocks are in close contact with each other

Total block length L

: The total block length L shown in the table is the length with the dust proof parts, code UU or SS. If other contamination protection accessories or lubricant equipment are installed, the total block length will increase.

(See [A1-491](#) or [A1-512](#))

## Standard Length and Maximum Length of the LM Rail

Table2 shows the standard lengths and the maximum lengths of model SRS variations. If the maximum length of the desired LM rail exceeds them, jointed rails will be used. Contact THK for details. For special rail lengths, it is recommended to use a value corresponding to the G,g dimension from the table. As the G,g dimension increases, this portion becomes less stable, and the accuracy performance is severely impacted.

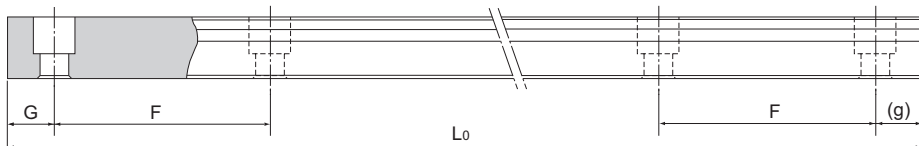


Table2 Standard Length and Maximum Length of the LM Rail for Model SRS

Unit: mm

Model No.	SRS 5	SRS 5W	SRS 7	SRS 7W	SRS 9	SRS 9W	SRS 12	SRS 12W	SRS 15	SRS 15W	SRS 20	SRS 25
LM rail standard length ( $L_0$ )	40	50	40	50	55	50	70	70	70	110	220	220
	55	70	55	80	75	80	95	110	110	150	280	280
	70	90	70	110	95	110	120	150	150	190	340	340
	100	110	85	140	115	140	145	190	190	230	460	460
	130	130	100	170	135	170	170	230	230	270	640	640
	160	150	115	200	155	200	195	270	270	310	880	880
			170	130	260	175	260	220	310	310	430	1000
				290	195	290	245	390	350	550		
					275	320	270	470	390	670		
					375		320	550	430	790		
							370		470			
							470		550			
							570		670			
								870				
Standard pitch F	15	20	15	30	20	30	25	40	40	40	60	60
G,g	5	5	5	10	7.5	10	10	15	15	15	20	20
Max length	220	220	480	480	1240	1430	2000	2000	2000	2000	1800	1800

Note1) The maximum length varies with accuracy grades. Contact THK for details.

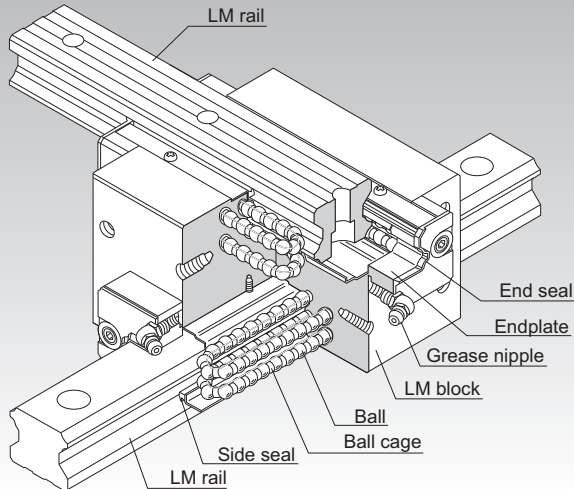
Note2) If jointed rails are not allowed and a greater length than the maximum values above is required, contact THK.



# SCR



## Caged Ball LM Guide Cross LM Guide Model SCR



\*For the ball cage, see **A1-88**.

**Point of Selection** **A1-10**

**Point of Design** **A1-454**

**Options** **A1-477**

**Model No.** **A1-543**

**Precautions on Use** **A1-549**

**Accessories for Lubrication** **A24-1**

**Mounting Procedure and Maintenance** **B1-89**

Equivalent moment factor **A1-43**

Rated Loads in All Directions **A1-59**

Equivalent factor in each direction **A1-61**

Radial Clearance **A1-71**

Accuracy Standards **A1-80**

Shoulder Height of the Mounting Base and the Corner Radius **A1-464**

Permissible Error of the Mounting Surface **A1-470**

Dimensions of Each Model with an Option Attached **A1-491**



---

## Structure and Features

---

Balls roll in four rows of raceways precision-ground on an LM rail and an LM block, and ball cages and endplates incorporated in the LM block allow the balls to circulate.

This model is an integral type of Caged Ball LM Guide that squares an internal structure similar to model SHS, which has a proven track record and is highly reliable, with another and uses two LM rails in combination. Since an orthogonal LM system can be achieved with model SCR alone, a conventionally required saddle is no longer necessary, the structure for X-Y motion can be simplified and the whole system can be downsized.

### [4-way Equal Load]

Each row of balls is placed at a contact angle of  $45^\circ$  so that the rated loads applied to the LM block are uniform in the four directions (radial, reverse radial and lateral directions), enabling the LM Guide to be used in all orientations and in extensive applications.

### [High Rigidity]

Since balls are arranged in four rows in a well-balanced manner, this model is stiff against a moment, and smooth straight motion is ensured even a preload is applied to increase the rigidity.

Since the rigidity of the LM block is higher than that of a combination of two LM blocks of the conventional type secured together back-to-back with bolts, this model is optimal for building an X-Y table that requires a high rigidity.

### [Compact]

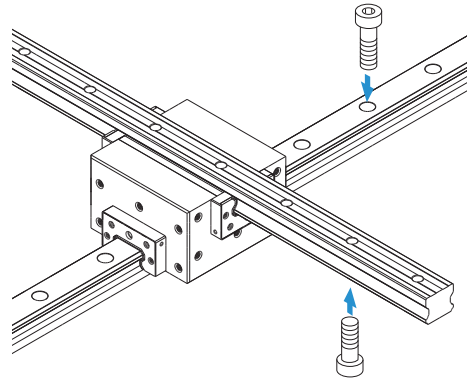
This model is an integral type of Caged Ball LM Guide that squares an internal structure similar to model SHS, which has a proven track record and is highly reliable, with another and uses two LM rails in combination. Since an orthogonal LM Guide can be achieved with model SCR alone, a conventionally required saddle is no longer necessary, the structure for X-Y motion can be simplified and the whole system can be downsized.

## Types and Features


### Model SCR

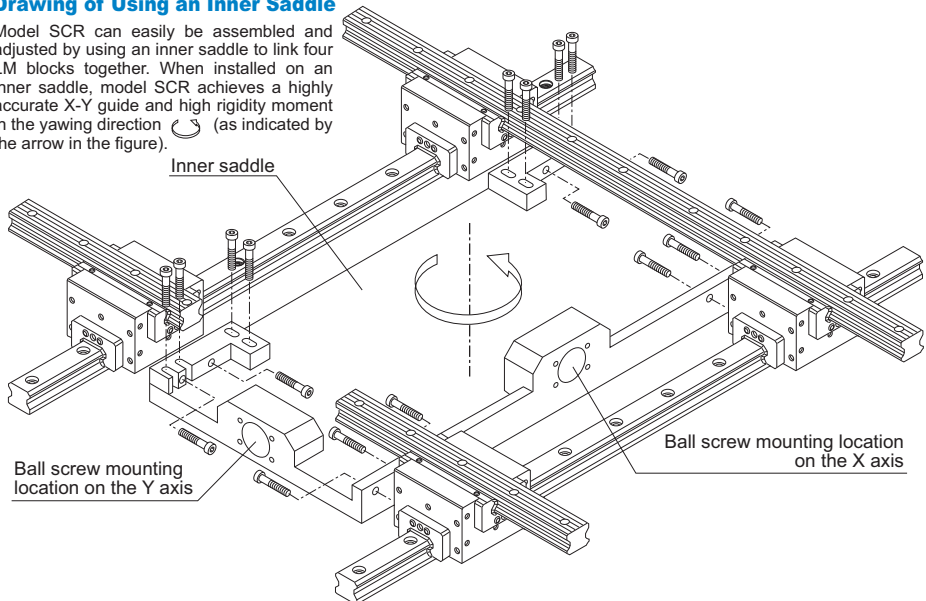
Specification Table⇒ **A1-168**

This model is a standard type.



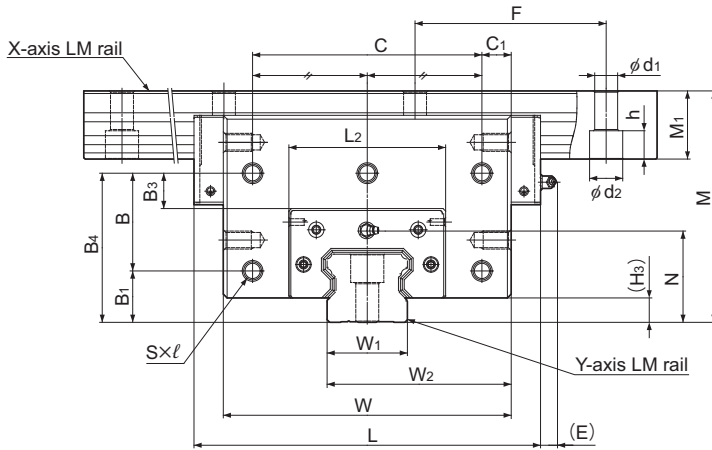
#### Drawing of Using an Inner Saddle

Model SCR can easily be assembled and adjusted by using an inner saddle to link four LM blocks together. When installed on an inner saddle, model SCR achieves a highly accurate X-Y guide and high rigidity moment in the yawing direction  (as indicated by the arrow in the figure).





# Model SCR



Model No.	Outer dimensions			LM block dimensions										
	Height	Width	Length	B <sub>1</sub>	B <sub>3</sub>	B <sub>4</sub>	B	C	C <sub>1</sub>	S × l	L <sub>2</sub>	H <sub>3</sub>	N	E
	M	W	L											
SCR 15S	47	48	64.4	—	11.3	34.8	—	20	14	2 × 2-M4 × 6	33.4	3	18.5	5.5
SCR 20S	57	59	79	—	13	42.5	—	30	14.5	2 × 2-M5 × 8	43	4.6	23.5	12
SCR 20	57	78	98	13	7.5	37	24	56	11	2 × 5-M5 × 8	43	4.6	23.5	12
SCR 25	70	88	109	18	9	44	26	64	12	2 × 5-M6 × 10	47.4	5.8	28.5	12
SCR 30	82	105	131	21	12	53	32	76	14.5	2 × 5-M6 × 10	58	7	34	12
SCR 35	95	123	152	24	14	61	37	90	16.5	2 × 5-M8 × 14	68	7.5	40	12
SCR 45	118	140	174	30	16.5	75	45	110	15	2 × 5-M10 × 15	84.6	8.9	49.5	16
SCR 65	180	226	272	40	27.5	116	76	180	23	2 × 5-M14 × 22	123	19	71	16

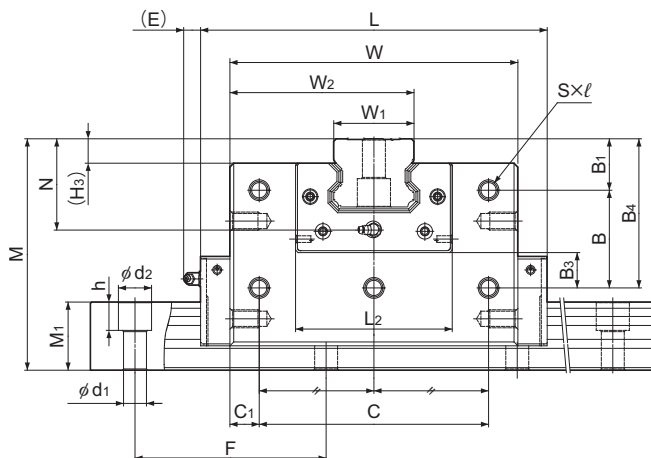
## Model number coding

**4 SCR25 QZ KKHH C0 +1200/1000L P**

4	SCR25	QZ	KKHH	C0	+1200/1000L	P
Total No. of LM blocks	Model number	With QZ Lubricator	Contamination protection accessory symbol (*1) Radial clearance symbol (*2) Normal (No symbol)/Light preload (C1) Medium preload (C0)	LM rail length on the X axis (in mm)	LM rail length on the Y axis (in mm)	Accuracy symbol (*3) Precision grade (P) Super precision grade (SP) Ultra precision grade (UP)

(\*1) See contamination protection accessory on **A1-516**. (\*2) See **A1-71**. (\*3) See **A1-80**.

Note) Those models equipped with QZ Lubricator cannot have a grease nipple. When desiring a grease nipple for a model attached with QZ, contact THK.

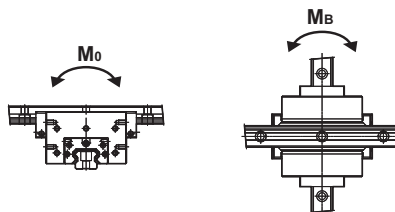


Unit: mm

	Grease nipple	LM rail dimensions					Basic load rating		Static permissible moment*		Mass	
		Width W <sub>1</sub> 0 -0.05	W <sub>2</sub>	Height M <sub>1</sub>	Pitch F	Mounting hole d <sub>1</sub> × d <sub>2</sub> × h	C	C <sub>0</sub>	M <sub>0</sub>	M <sub>B</sub>	LM block kg	LM rail kg/m
	PB1021B	15	31.5	13	60	4.5×7.5×5.3	14.2	24.2	0.16	0.175	0.54	1.3
	B-M6F	20	39.5	16.5	60	6×9.5×8.5	22.3	38.4	0.334	0.334	0.88	2.3
	B-M6F	20	49	16.5	60	6×9.5×8.5	28.1	50.3	0.473	0.568	1.7	2.3
	B-M6F	23	55.5	20	60	7×11×9	36.8	64.7	0.696	0.848	3.4	3.2
	B-M6F	28	66.5	23	80	9×14×12	54.2	88.8	1.15	1.36	4.6	4.5
	B-M6F	34	78.5	26	80	9×14×12	72.9	127	2.01	2.34	6.8	6.2
	B-PT1/8	45	92.5	32	105	14×20×17	100	166	3.46	3.46	10.8	10.4
	B-PT1/8	63	144.5	53	150	18×26×22	253	408	11.9	13.3	44.5	23.7

Note) Static permissible moment\*  
Total block length L

1 block: the static permissible moment with one LM block  
: The total block length L shown in the table is the length with the dust proof parts, code UU or SS.  
If other contamination protection accessories or lubricant equipment are installed, the total block length will increase.  
(See [A1-491](#) or [A1-512](#))



## Standard Length and Maximum Length of the LM Rail

Table1 shows the standard and maximum lengths of the SCR model rail. If a rail length longer than the listed max length is required, rails may be jointed to meet the overall length. Contact THK for details. For special rail lengths, it is recommended to use a value corresponding to the G,g dimension from the table. As the G,g dimension increases, this portion becomes less stable, and the accuracy performance is severely impacted.

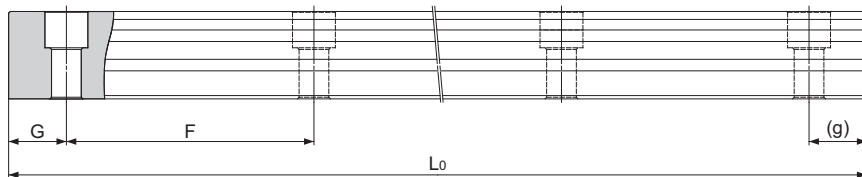


Table1 Standard Length and Maximum Length of the LM Rail for Model SCR

Unit: mm

Model No.	SCR 15	SCR 20	SCR 25	SCR 30	SCR 35	SCR 45	SCR 65
LM rail standard length (L <sub>0</sub> )	160	220	220	280	280	570	1270
	220	280	280	360	360	675	1570
	280	340	340	440	440	780	2020
	340	400	400	520	520	885	2620
	400	460	460	600	600	990	
	460	520	520	680	680	1095	
	520	580	580	760	760	1200	
	580	640	640	840	840	1305	
	640	700	700	920	920	1410	
	700	760	760	1000	1000	1515	
	760	820	820	1080	1080	1620	
	820	940	940	1160	1160	1725	
	940	1000	1000	1240	1240	1830	
	1000	1060	1060	1320	1320	1935	
	1060	1120	1120	1400	1400	2040	
	1120	1180	1180	1480	1480	2145	
	1180	1240	1240	1560	1560	2250	
	1240	1360	1300	1640	1640	2355	
	1360	1480	1360	1720	1720	2460	
	1480	1600	1420	1800	1800	2565	
1600	1720	1480	1880	1880	2670		
	1840	1540	1960	1960	2775		
	1960	1600	2040	2040	2880		
	2080	1720	2200	2200	2985		
	2200	1840	2360	2360	3090		
		1960	2520	2520			
		2080	2680	2680			
		2200	2840	2840			
		2320	3000	3000			
		2440					
Standard pitch F	60	60	60	80	80	105	150
G,g	20	20	20	20	20	22.5	35
Max length	3000	3000	3000	3000	3000	3090	3000

## Tapped-hole LM Rail Type of Model SCR

The model SCR variations include a type with its LM rail bottom tapped. With the X-axis LM rail having tapped holes, this model can be secured with bolts from the top.

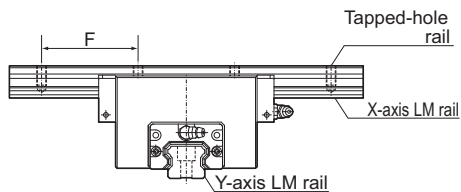


Table2 Dimensions of the LM Rail Tap Unit: mm

Model No.	Tap diamete	Tap depth
15	M5	8
20	M6	10
25	M6	12
30	M8	15
35	M8	17
45	M12	20
65	M20	30

### Model number coding

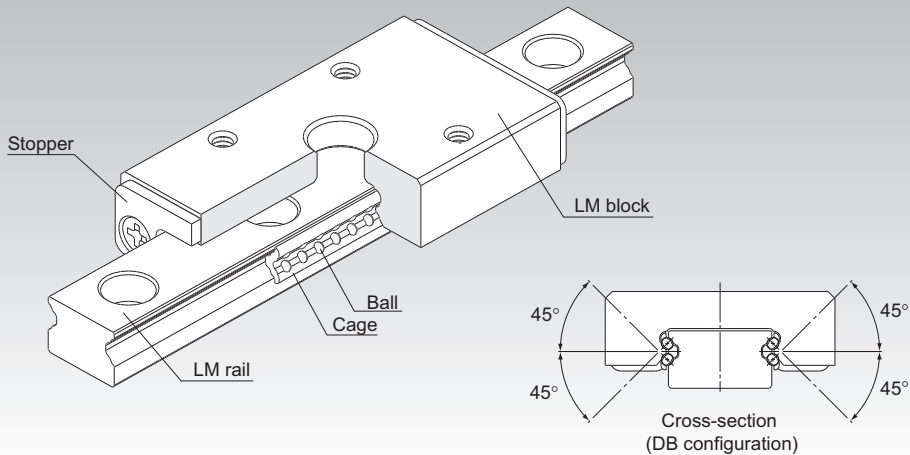
**4 SCR35 KKHH C0 +1000L P K/1000L P**

Symbol for  
tapped-hole LM rail type

# EPF



## Caged Ball LM Guide Finite stroke Model EPF



\*For the ball cage, see **A1-88**.

**Point of Selection** **A1-10**

**Point of Design** **A1-454**

**Options** **A1-477**

**Model No.** **A1-543**

**Precautions on Use** **A1-549**

**Accessories for Lubrication** **A24-1**

**Mounting Procedure and Maintenance** **B1-89**

Equivalent moment factor **A1-43**

Rated Loads in All Directions **A1-59**

Equivalent factor in each direction **A1-61**

Radial Clearance **A1-73**

Accuracy Standards **A1-86**

Shoulder Height of the Mounting Base and the Corner Radius **A1-465**

Accuracy of the Mounting Surface **A1-175**

Dimensions of Each Model with an Option Attached **A1-491**



## Structure and Features

Balls are held in cages with spherical ball holders and the balls roll in four rows of circular-arc grooves in raceways on precision-ground LM rails and LM blocks.

### [Smooth motion]

Because a finite stroke is used, balls do not circulate and movement is smooth even with pre-loading. Also, because variations in rolling resistance are small, this model is ideal for locations where smooth movement is required with a short stroke.

### [High Rigidity]

Because model EPF uses a DB construction featuring 4 rows of circular-arc grooves, it offers particularly high rigidity with respect to moment in the  $M_c$  direction. This makes it ideal for locations where  $M_c$  moment is applied with one rail.

### [Miniature Type]

Because the mounting method is compatible with the Miniature LM Guide Model RSR-N, the models are dimensionally interchangeable.

### [4-way Equal Load]

Each row of balls is configured at a contact angle of  $45^\circ$  so that the rated loads applied to the LM block are uniform in the all directions (radial, reverse radial and lateral directions), enabling the LM Guide to be used in all orientations and in extensive applications.

### [Ball cage technology application 1]

Because the cage is formed out of plastic resin, there is no metal contact between the cage and the balls, providing excellent noise characteristics, low dust emissions and long product life.

### [Ball cage technology application 2]

Forming the cage in a spherical shape out of plastic resin allows lubricant to be held in grease pockets, enabling long periods of maintenance-free operation.

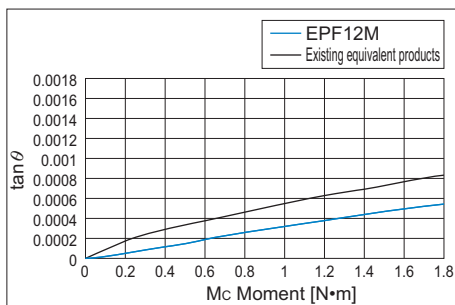
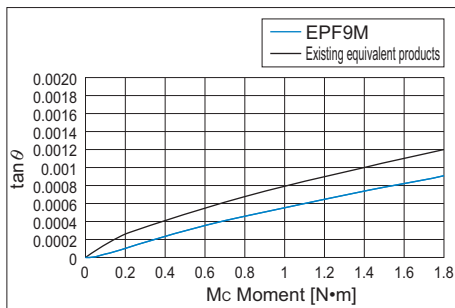


Fig.1 Comparison of  $M_c$  moment test data

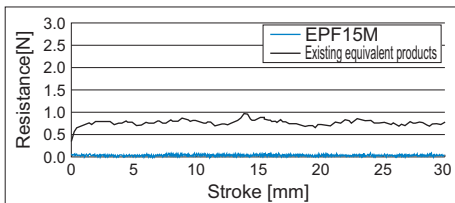
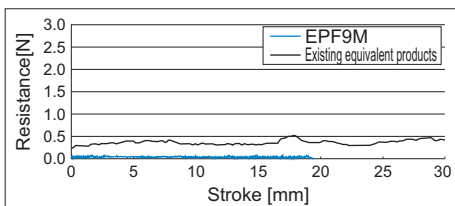


Fig.2 Comparison of rolling resistance test data

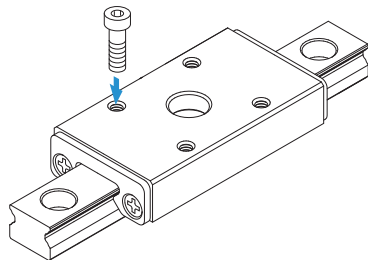
---

## Types and Features

---

### Model EPF

Specification Table → **A1-176**



## Accuracy of the Mounting Surface

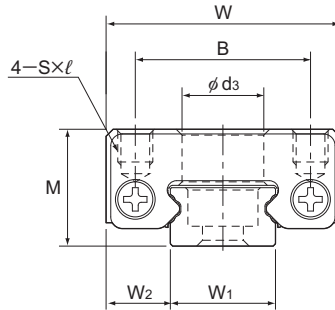
If there is not sufficient precision in the LM rail and LM block mounting surfaces, the product may not function to its full potential. Table 1 Machine to values no higher than those shown in... (Recommended value: 70% of Table 1)

Table 1 Flatness of the LM Rail and the LM Block Mounting Surface  
Unit: mm

Model No.	Flatness error
EPF 7M, 9M	0.015/200
EPF 12M	0.025/200
EPF 15M	0.035/200

Note) It is recommended that highly rigid materials such as iron or cast metal be used as the mounting material. If a material with poor rigidity, such as aluminum, is used, unforeseen loading may be applied to the product. In such situations, contact THK.

# Model EPF



Model No.	Outer dimensions			LM block dimensions					LM rail dimensions		
	Height M	Width W	Length L <sub>B</sub>	B	C	d <sub>3</sub>	S×ℓ	L <sub>B1</sub>	W <sub>1</sub>	W <sub>2</sub>	M <sub>1</sub>
EPF 7M	8	17	31.6	12	13	5	M2×2.3	29.6	7	5	5
EPF 9M	10	20	37.8	15	16	7	M3×2.8	35.8	9	5.5	5
EPF 12M	13	27	43.7	20	20	7	M3×3.2	41.7	12	7.5	6.75
EPF 15M	16	32	56.5	25	25	7	M3×3.5	54.5	15	8.5	9

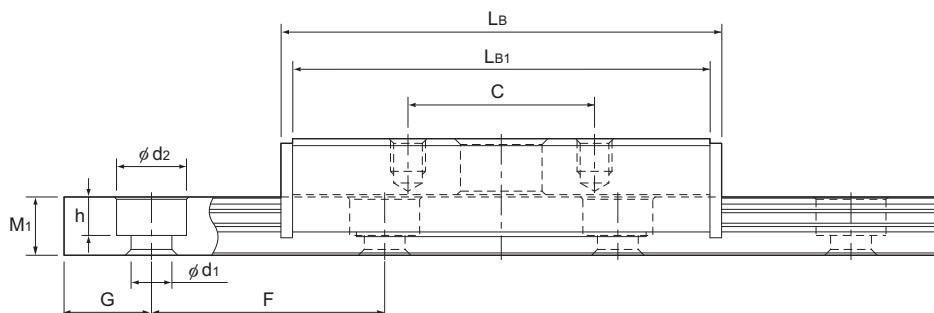
Note) The M in the model number symbol indicates that the LM block, LM rail and balls are made of stainless steel. The stainless steel provides excellent corrosion and environmental resistance.

## Model number coding

<b>EPF7M</b>	<b>16</b>	<b>+55L</b>	<b>P</b>	<b>M</b>
Model No.	LM rail length (in mm)	Guaranteed stroke (in mm)	Rail material: Stainless steel (standard)	Accuracy symbol (*1)

(\*1) See **A1-86**.

Note) This model number indicates that a single-rail unit constitutes one set.



Unit: mm

			Guaranteed stroke $S_T$	Basic load rating		Static permissible moment $N \cdot m^*$			Mass	
G	F	$d_1 \times d_2 \times h$		C	$C_0$	$M_A$	$M_B$	$M_C$	LM block kg	LM rail kg/m
5	15	2.4 × 4.2 × 2.6	16	0.90	1.60				0.019	0.230
7.5	20	3.5 × 6 × 3.3	21	1.00	1.87	6.81	6.81	7.89	0.036	0.290
10	25	3.5 × 6 × 3.8	27	2.26	3.71	15.5	15.5	20.8	0.074	0.550
15	40	3.5 × 6 × 4	34	3.71	5.88	33.0	33.0	41.3	0.136	0.940

Note) Static permissible moment\*: Static permissible moment value with 1 LM block

## Recommended Tightening Torques of Mounting Bolts

Unit: N·m

Model No.	Nominal bolt	Rated tightening torque		
		Iron	Casting	Aluminum
EPF 7M	M2	0.588	0.392	0.294
EPF 9M	M3	1.96	1.27	0.98
EPF 12M				
EPF 15M				

## Table2 Maximum slip resistance

Unit: N

Model No.	Maximum slip resistance
EPF 7M	20
EPF 9M	20
EPF 12M	30
EPF 15M	30

Note) While the cage used to hold the balls is designed to operate extremely precisely, factors such as impacts or inertial moment or drive vibration from the machine can cause cage distortion.

If using the EPF LM guide in the following conditions, contact THK.

- Vertical Orientation
- Under a large moment load
- Butting the guide's external stopper with the table
- For applications involving high acceleration/deceleration

If cage distortion occurs, the cage must be forcibly restored to its original shape.  
Table 1 shows the required slip resistance in this event.  
Set the thrust so that it is no less than the maximum value shown in the table.

## Standard Length of the LM Rail

Table3 shows the standard LM rail lengths of model EPF.

For special rail lengths, it is recommended to use a value corresponding to the G,g dimension from the table. As the G,g dimension increases, this portion becomes less stable, and the accuracy performance is severely impacted.

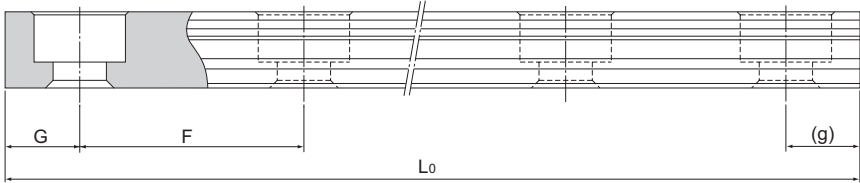


Table3 Standard Length of the LM Rail for Model EPF

Unit: mm

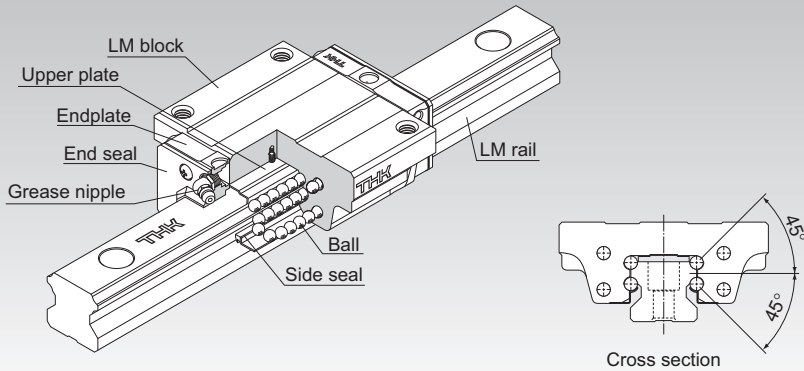
Model No.	EPF 7M	EPF 9M	EPF 12M	EPF 15M
LM rail standard length (L <sub>0</sub> )	55	75	95	110
Standard pitch F	15	20	25	40
G,g	5	7.5	10	15

Note) Lengths other than the standard LM rail length (L<sub>0</sub>) are also available. Contact THK for details.



# HSR

## LM Guide Global Standard Size Model HSR



<b>Point of Selection</b>	<b>A1-10</b>
<b>Point of Design</b>	<b>A1-454</b>
<b>Options</b>	<b>A1-477</b>
<b>Model No.</b>	<b>A1-543</b>
<b>Precautions on Use</b>	<b>A1-549</b>
<b>Accessories for Lubrication</b>	<b>A24-1</b>
<b>Mounting Procedure and Maintenance</b>	<b>B1-89</b>
Equivalent moment factor	<b>A1-43</b>
Rated Loads in All Directions	<b>A1-59</b>
Equivalent factor in each direction	<b>A1-61</b>
Radial Clearance	<b>A1-72</b>
Accuracy Standards	<b>A1-77</b>
Shoulder Height of the Mounting Base and the Corner Radius	<b>A1-465</b>
Permissible Error of the Mounting Surface	<b>A1-470</b>
Dimensions of Each Model with an Option Attached	<b>A1-491</b>



## Structure and Features

Balls roll in four rows of raceways precision-ground on an LM rail and an LM block, and endplates incorporated in the LM block allow the balls to circulate.

Since retainer plates hold the balls, they do not fall off even if the LM rail is pulled out (except models HSR 8, 10 and 12).

Each row of balls is placed at a contact angle of  $45^\circ$  so that the rated loads applied to the LM block are uniform in the four directions (radial, reverse radial and lateral directions), enabling the LM Guide to be used in all orientations. In addition, the LM block can receive a well-balanced preload, increasing the rigidity in the four directions while maintaining a constant, low friction coefficient. With the low sectional height and the high rigidity design of the LM block, this model achieves highly accurate and stable straight motion.

### [4-way Equal Load]

Each row of balls is placed at a contact angle of  $45^\circ$  so that the rated loads applied to the LM block are uniform in the four directions (radial, reverse radial and lateral directions), enabling the LM Guide to be used in all orientations and in extensive applications.

### [High Rigidity Type]

Since balls are arranged in four rows in a well-balanced manner, a large preload can be applied and the rigidity in four directions can easily be increased.

### [Self-adjustment Capability]

The self-adjustment capability through front-to-front configuration of THK's unique circular-arc grooves (DF set) enables a mounting error to be absorbed even under a preload, thus to achieve highly accurate, smooth straight motion.

### [High Durability]

Even under a preload or excessive biased load, differential slip of balls does not occur. As a result, smooth motion, high wear resistance, and long-term maintenance of accuracy are achieved.

### [Stainless Steel Type also Available]

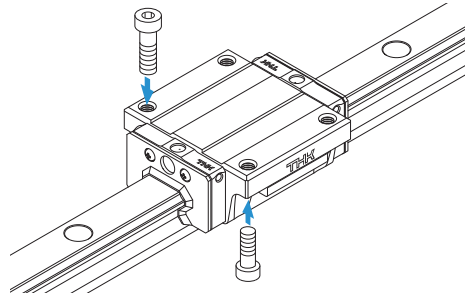
A special type which LM block, LM rail and balls are made of stainless steel is also available.

## Types

### Models HSR-C/XC

The flange of the LM block has tapped holes. Can be mounted from the top or the bottom. Used in places where the table cannot have through holes for mounting bolts.

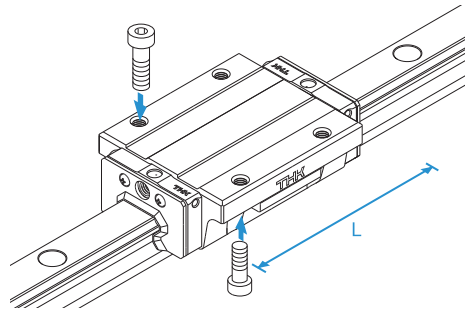
Specification Table⇒ **A1-186**



### Models HSR-LC/XLC

The LM block has the same cross-sectional shape as model HSR-C, but has a longer overall LM block length (L) and a greater rated load.

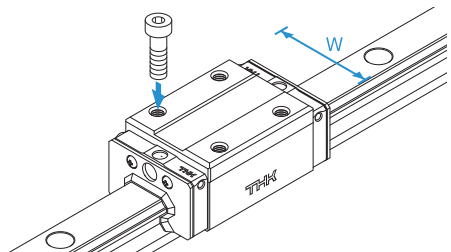
Specification Table⇒ **A1-186**



### Models HSR-R/XR

With this type, the LM block has a smaller width (W) and tapped holes. Used in places where the space for table width is limited.

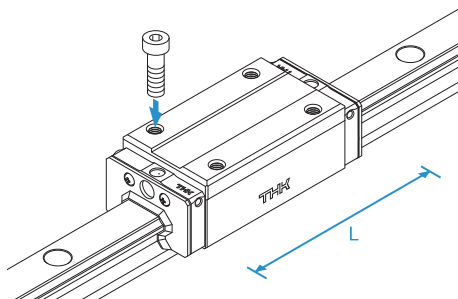
Specification Table⇒ **A1-188/A1-190**



## Models HSR-LR/XLR

The LM block has the same cross-sectional shape as model HSR-R, but has a longer overall LM block length (L) and a greater rated load.

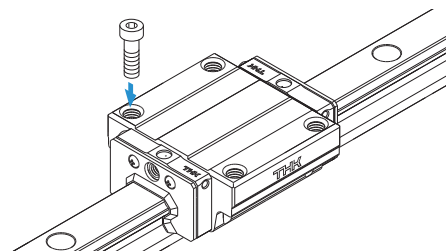
Specification Table⇒ **A1-190**



## Model HSR-A

The flange of its LM block has tapped holes.

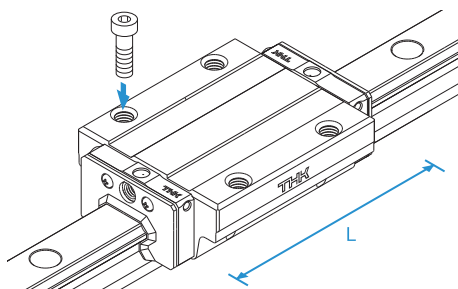
Specification Table⇒ **A1-192**



## Model HSR-LA

The LM block has the same cross-sectional shape as model HSR-A, but has a longer overall LM block length (L) and a greater rated load.

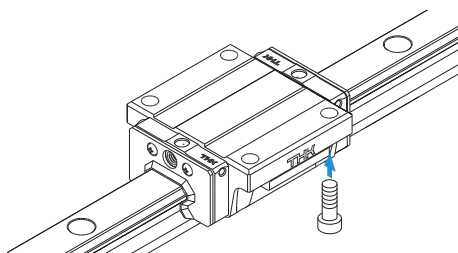
Specification Table⇒ **A1-192**



## Model HSR-B

The flange of the LM block has through holes. Used in places where the table cannot have through holes for mounting bolts.

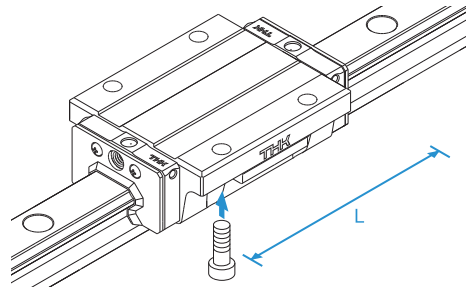
Specification Table⇒ **A1-194**



## Model HSR-LB

The LM block has the same cross-sectional shape as model HSR-B, but has a longer overall LM block length (L) and a greater rated load.

Specification Table → [A1-194](#)



## Models HSR-YR/XYR

When using two conventional LM Guide units facing each other, it would take a long time to machine the table, and it was difficult to achieve the desired accuracy and adjust the clearance. With the Model HSR-YR and Model HSR-XYR, the tapped holes on the side of the LM block simplify the structure, which drastically reduces labor time and increases accuracy.

Specification Table → [A1-196](#)

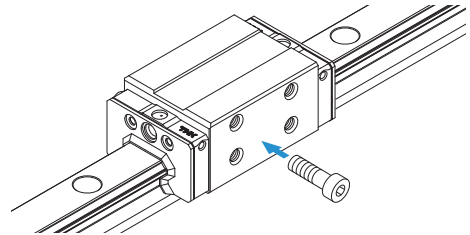


Fig.1 Conventional Structure

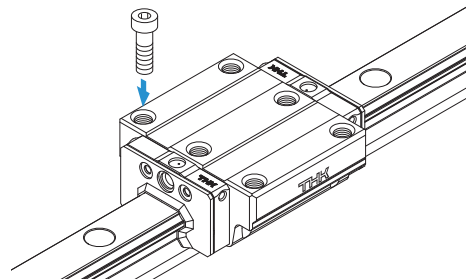


Fig.2 Mounting Structure for Model HSR-YR

## Models HSR-CA/XCA

Has six tapped holes on the LM block.

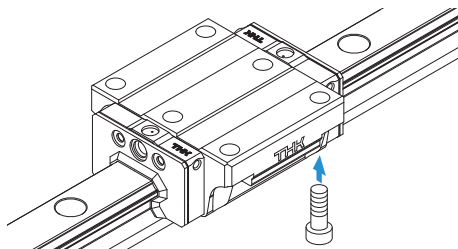
Specification Table → [A1-198](#)



## Models HSR-CB/XCB

The LM block has six through holes. Used in places where the table cannot have through holes for mounting bolts.

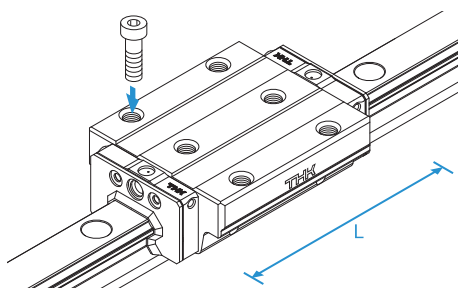
Specification Table⇒ **A1-200**



## Models HSR-HA/XHA

The LM block has the same cross-sectional shape as model HSR-CA, but has a longer overall LM block length (L) and a greater rated load.

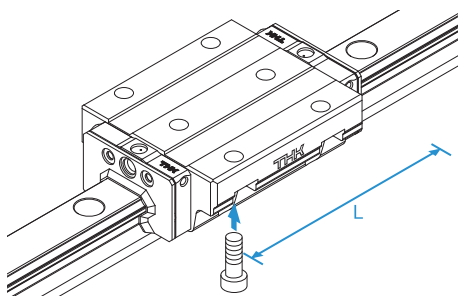
Specification Table⇒ **A1-198**



## Models HSR-HB/XHB

The LM block has the same cross sectional shape as model HSR-CB, but has a longer overall LM block length (L) and a greater rated load.

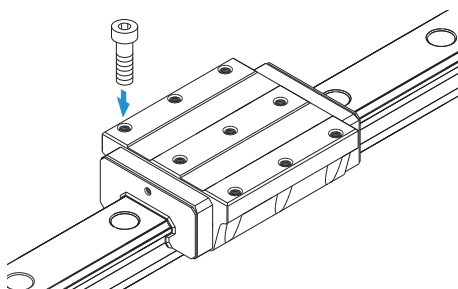
Specification Table⇒ **A1-200**



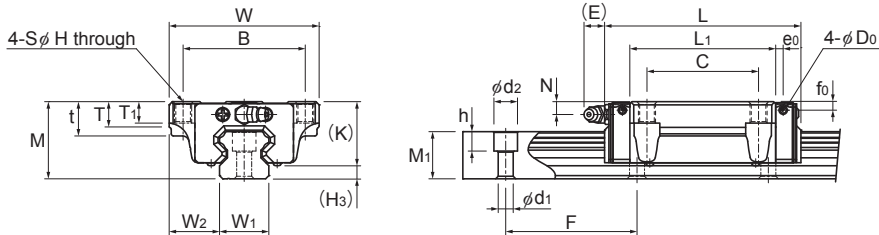
## Models HSR 100/120/150 HA/HB/HR

Large types of model HSR that can be used in large-scale machine tools and building structures.

Specification Table⇒ **A1-202**



# Models HSR-C, HSR-CM, HSR-LC, HSR-LCM, HSR-XC and HSR-XLC



Models HSR15 to 35C/LC/CM/LCM

Model No.	Outer dimensions			LM block dimensions													Pilot hole for side nipple			
	Height	Width	Length	B	C	S	H	L <sub>1</sub>	t	T	T <sub>1</sub>	K	N	E	Grease nipple	e <sub>0</sub>	f <sub>0</sub>	D <sub>0</sub>	H <sub>3</sub>	
	M	W	L																	
HSR 15C HSR 15CM	24	47	56.6	38	30	M5	4.5	38.8	11	7	7	19.3	4.3	5.5	PB1021B	3.2	3.9	3	4.7	
HSR 15LC HSR 15LCM	24	47	74.6	38	30	M5	4.5	56.8	11	7	7	19.3	4.3	5.5	PB1021B	3.2	3.9	3	4.7	
HSR 20C HSR 20CM	30	63	74	53	40	M6	5.4	50.8	10	9.5	10	26	5	12	B-M6F	3.1	3.4	3	4	
HSR 20LC HSR 20LCM	30	63	90	53	40	M6	5.4	66.8	10	9.5	10	26	5	12	B-M6F	3.1	3.4	3	4	
HSR 25C HSR 25CM	36	70	83.1	57	45	M8	6.8	59.5	16	11	10	30.5	6	12	B-M6F	3.5	4	3	5.5	
HSR 25LC HSR 25LCM	36	70	102.2	57	45	M8	6.8	78.6	16	11	10	30.5	6	12	B-M6F	3.5	4	3	5.5	
HSR 30C HSR 30CM	42	90	98	72	52	M10	8.5	70.4	18	9	10	35	7	12	B-M6F	5.2	6.2	5.2	7	
HSR 30LC HSR 30LCM	42	90	120.6	72	52	M10	8.5	93	18	9	10	35	7	12	B-M6F	5.2	6.2	5.2	7	
HSR 35C HSR 35CM	48	100	109.4	82	62	M10	8.5	80.4	21	12	13	40.5	8	12	B-M6F	5.5	5.6	5.2	7.5	
HSR 35LC HSR 35LCM	48	100	134.8	82	62	M10	8.5	105.8	21	12	13	40.5	8	12	B-M6F	5.5	5.6	5.2	7.5	
HSR 45C HSR 45LC	60	120	139 170.8	100	80	M12	10.5	98 129.8	25	13	15	50	10	16	B-PT1/8	6.1	6.6	5.2	10	
HSR 55C HSR 55LC	70	140	163 201.1	116	95	M14	12.5	118 156.1	29	13.5	17	57	11	16	B-PT1/8	5.6	7.7	5.2	13	
HSR 65XC HSR 65XLC	90	170	190.5 250	142	110	M16	14.5	138.5 198	37	21.5	23	76	19	16	B-PT1/8	6.8	14.6	5.2	14	

## Model number coding

**HSR25 C 2 QZ UU C0 M +1200L P T M -II**

Model number

Type of LM block

With QZ Lubricator

Contamination protection accessory symbol (\*1)

Stainless steel LM block

LM rail length (in mm)

Stainless steel LM rail jointed use Symbol for LM rail

Symbol for No. of rails used on the same plane (\*4)

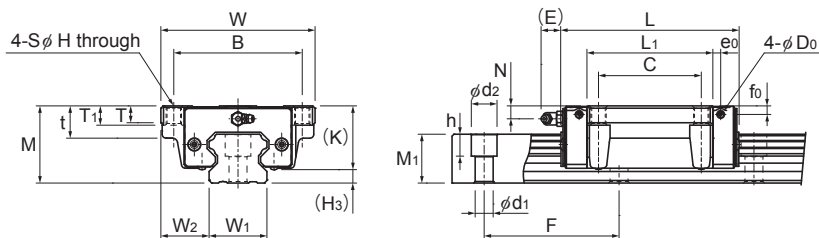
No. of LM blocks used on the same rail

Radial clearance symbol (\*2)  
Normal (No symbol)  
Light preload (C1)  
Medium preload (C0)

Accuracy symbol (\*3)  
Normal grade (No Symbol)/High accuracy grade (H)  
Precision grade (P)/Super precision grade (SP)  
Ultra precision grade (UP)

(\*1) See contamination protection accessory on **A1-516**. (\*2) See **A1-72**. (\*3) See **A1-77**. (\*4) See **A1-13**.

Note) This model number indicates that a single-rail unit constitutes one set. (i.e., required number of sets when 2 rails are used in parallel is 2 at a minimum.) Those models equipped with QZ Lubricator cannot have a grease nipple. When desiring a grease nipple for a model attached with QZ, contact THK.



Models HSR45 to 65C/LC/XC/LC

Unit: mm

LM rail dimensions						Basic load rating		Static permissible moment kN·m*					Mass	
Width $W_1$ $\pm 0.05$	Height $M_1$	Pitch $F$	Length* Max	$d_1 \times d_2 \times h$	C	$C_0$	$M_A$		$M_B$		$M_C$	LM block kg	LM rail kg/m	
							1 block	Double blocks	1 block	Double blocks	1 block			
15	16	15	60	4.5×7.5×5.3	3000 (1240)	10.9	15.7	0.0945	0.527	0.0945	0.527	0.0998	0.2	1.5
15	16	15	60	4.5×7.5×5.3	3000 (1240)	14.2	22.9	0.194	0.984	0.194	0.984	0.145	0.29	1.5
20	21.5	18	60	6×9.5×8.5	3000 (1480)	19.8	27.4	0.218	1.2	0.218	1.2	0.235	0.35	2.3
20	21.5	18	60	6×9.5×8.5	3000 (1480)	23.9	35.8	0.363	1.87	0.363	1.87	0.307	0.47	2.3
23	23.5	22	60	7×11×9	3000 (2020)	27.6	36.4	0.324	1.8	0.324	1.8	0.366	0.59	3.3
23	23.5	22	60	7×11×9	3000 (2020)	35.2	51.6	0.627	3.04	0.627	3.04	0.518	0.75	3.3
28	31	26	80	9×14×12	3000 (2520)	40.5	53.7	0.599	3.1	0.599	3.1	0.652	1.1	4.8
28	31	26	80	9×14×12	3000 (2520)	48.9	70.2	0.995	4.89	0.995	4.89	0.852	1.3	4.8
34	33	29	80	9×14×12	3000 (2520)	53.9	70.2	0.895	4.51	0.895	4.51	1.05	1.6	6.6
34	33	29	80	9×14×12	3000 (2520)	65	91.7	1.49	7.13	1.49	7.13	1.37	2.0	6.6
45	37.5	38	105	14×20×17	3090	82.2 100	101 135	1.5 2.59	8.37 13.4	1.5 2.59	8.37 13.4	1.94 2.6	2.8 3.3	11 11
53	43.5	44	120	16×23×20	3060	121 148	146 194	2.6 4.46	14.1 22.7	2.6 4.46	14.1 22.7	3.43 4.56	4.5 5.7	15.1 15.1
63	53.5	53	150	18×26×22	3000	195 249	228 323	5.08 9.81	25 45.6	5.08 9.81	25 45.6	6.2 8.79	8.5 10.7	22.5 22.5

Note) The maximum length under "Length\*" indicates the standard maximum length of an LM rail. (See **A1-204**.)

Static permissible moment\* 1 block: the static permissible moment with one LM block

Double blocks: static permissible moment when two LM blocks are in close contact with each other

Overall block length dimension (L)

The overall block lengths (L) in the dimension table are for when the contamination protection accessory symbol is UU or SS. The overall block length (L) will increase if another contamination protection accessory or lubricator is attached.

(See **A1-491** or **A1-512**)

An "M" in the model number indicates the material of the LM block, LM rail, or balls are stainless steel.

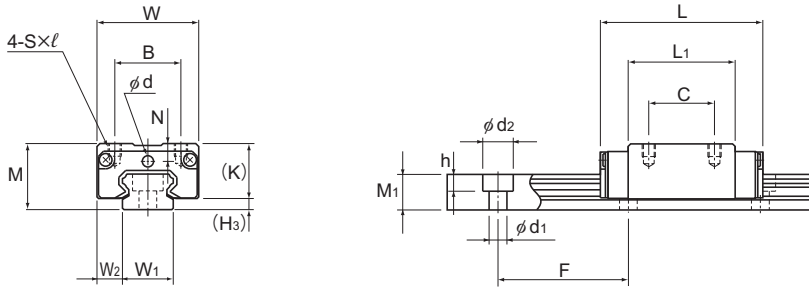
Stainless steel products have superior corrosion resistance and environmental resistance.

\*The diagram shows the side nipple pilot holes for when a grease nipple is desired for a product with LaCS or a QZ Lubricator.

In all other cases, the side nipple pilot holes will not be through holes.

Consult with THK if you desire drilling for grease nipple mounting. (See **A1-430**.)

# Model HSR-RM



Models HSR8RM and 10RM

Model No.	Outer dimensions			LM block dimensions										H <sub>3</sub>
	Height	Width	Length	B	C	S × l	L <sub>1</sub>	T	K	N	E	Greasing hole d	Grease nipple	
	M	W	L											
HSR 8RM	11	16	24	10	10	M2×2.5	15	—	8.9	2.6	—	2.2	—	2.1
HSR 10RM	13	20	31	13	12	M2.6×2.5	20.1	—	10.8	3.5	—	2.5	—	2.2
HSR 12RM	20	27	45	15	15	M4×4.5	30.5	6	16.9	5.2	4	—	PB107	3.1

## Model number coding

**HSR12 R 2 UU C1 M +670L H T M -II**

Model number

Type of LM block

Contamination protection accessory symbol (\*1)

Stainless steel LM block

LM rail length (in mm)

Stainless steel LM rail

Symbol for No. of rails used on the same plane (\*4)

No. of LM blocks used on the same rail

Radial clearance symbol (\*2)  
Normal (No symbol)  
Light preload (C1)

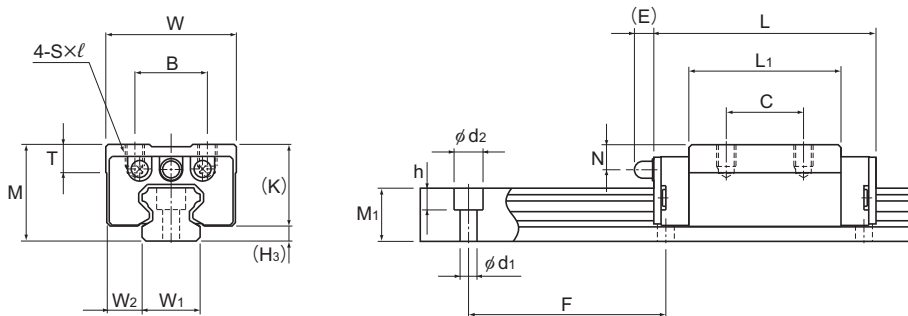
Symbol for LM rail jointed use

Accuracy symbol (\*3)  
Normal grade (No Symbol)/High accuracy grade (H)  
Precision grade (P)/Super precision grade (SP)

(\*1) See contamination protection accessory on **A1-516**. (\*2) See **A1-72**. (\*3) See **A1-77**. (\*4) See **A1-13**.

Note) This model number indicates that a single-rail unit constitutes one set. (i.e., required number of sets when 2 rails are used in parallel is 2 at a minimum.)





Model HSR12RM

Unit: mm

		LM rail dimensions					Basic load rating		Static permissible moment $\text{kN}\cdot\text{m}^*$					Mass	
Width		Height	Pitch		Length*	C	$C_0$	$M_A$		$M_B$		$M_C$	LM block	LM rail	
$W_1$ $\pm 0.05$	$W_2$	$M_1$	F	$d_1 \times d_2 \times h$	Max	kN	kN	1 block	Double blocks	1 block	Double blocks	1 block	kg	kg/m	
8	4	6	20	$2.4 \times 4.2 \times 2.3$	(975)	1.08	2.16	0.00492	0.0319	0.00492	0.0319	0.00727	0.012	0.3	
10	5	7	25	$3.5 \times 6 \times 3.3$	(995)	1.96	3.82	0.0123	0.0716	0.0123	0.0716	0.0162	0.025	0.45	
12	7.5	11	40	$3.5 \times 6 \times 4.5$	(1240)	4.7	8.53	0.0409	0.228	0.0409	0.228	0.0445	0.08	0.83	

Note) The maximum length under "Length\*" indicates the standard maximum length of an LM rail. (See **A1-204**.)

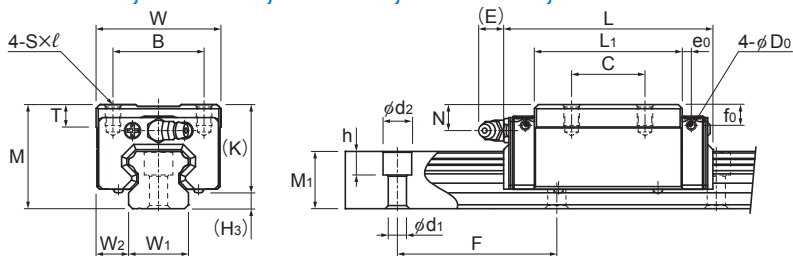
Static permissible moment\* 1 block: the static permissible moment with one LM block

Overall block length dimension (L) Double blocks: static permissible moment when two LM blocks are in close contact with each other  
The overall block lengths (L) in the dimension table are for when the contamination protection accessory symbol is UU or SS.  
The overall block length (L) will increase if another contamination protection accessory or lubricator is attached.

(See **A1-491** or **A1-512**)

An "M" in the model number indicates the material of the LM block, LM rail, or balls are stainless steel.  
Stainless steel products have superior corrosion resistance and environmental resistance.

## Models HSR-R, HSR-RM, HSR-LR, HSR-LRM, HSR-XR and HSR-XLR



Models HSR15 to 35R/LR/RM/LRM

Model No.	Outer dimensions			LM block dimensions										Pilot hole for side nipple			H <sub>3</sub>
	Height	Width	Length	B	C	S × l	L <sub>1</sub>	T	K	N	E	Grease nipple	e <sub>0</sub>	f <sub>0</sub>	D <sub>0</sub>		
	M	W	L														
HSR 15R HSR 15RM	28	34	56.6	26	26	M4 × 5	38.8	6	23.3	8.3	5.5	PB1021B	3.2	7.9	3	4.7	
HSR 15LR HSR 15LRM	28	34	74.6	26	34	M4 × 5	56.8	6	23.3	8.3	5.5	PB1021B	3.2	7.9	3	4.7	
HSR 20R HSR 20RM	30	44	74	32	36	M5 × 6	50.8	8	26	5	12	B-M6F	3.1	3.4	3	4	
HSR 20LR HSR 20LRM	30	44	90	32	50	M5 × 6	66.8	8	26	5	12	B-M6F	3.1	3.4	3	4	
HSR 25R HSR 25RM	40	48	83.1	35	35	M6 × 8	59.5	9	34.5	10	12	B-M6F	3.5	8	3	5.5	
HSR 25LR HSR 25LRM	40	48	102.2	35	50	M6 × 8	78.6	9	34.5	10	12	B-M6F	3.5	8	3	5.5	
HSR 30R HSR 30RM	45	60	98	40	40	M8 × 10	70.4	9	38	10	12	B-M6F	5.2	9.2	5.2	7	
HSR 30LR HSR 30LRM	45	60	120.6	40	60	M8 × 10	93	9	38	10	12	B-M6F	5.2	9.2	5.2	7	
HSR 35R HSR 35RM	55	70	109.4	50	50	M8 × 12	80.4	11.7	47.5	15	12	B-M6F	5.5	12.6	5.2	7.5	
HSR 35LR HSR 35LRM	55	70	134.8	50	72	M8 × 12	105.8	11.7	47.5	15	12	B-M6F	5.5	12.6	5.2	7.5	
HSR 45R HSR 45LR	70	86	139 170.8	60	60 80	M10 × 17	98 129.8	15	60	20	16	B-PT1/8	6.1	16.6	5.2	10	
HSR 55R HSR 55LR	80	100	163 201.1	75	75 95	M12 × 18	118 156.1	20.5	67	21	16	B-PT1/8	5.6	17.7	5.2	13	
HSR 65XR HSR 65XLR	90	126	190.5 250	76	70 120	M16 × 20	138.5 198	23	76	19	16	B-PT1/8	6.8	14.6	5.2	14	
HSR 65R HSR 65LR	90	126	186 245.5	76	70 120	M16 × 20	147 206.5	23	76	19	16	B-PT1/8	—	—	—	14	
HSR 85R HSR 85LR	110	156	245.6 303	100	80 140	M18 × 25	178.6 236	29	94	23	16	B-PT1/8	—	—	—	16	

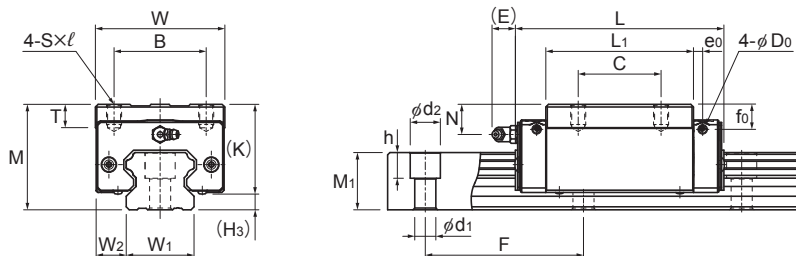
### Model number coding

## HSR35 R 2 QZ SS C0 M +1400L P T M - II

Model number	Type of LM block	With QZ Lubricator	Contamination protection accessory symbol (*1)	Stainless steel LM block	LM rail length (in mm)	Stainless steel LM rail	Symbol for No. of rails used on the same plane (*4)
	No. of LM blocks used on the same rail		Radial clearance symbol (*2) Normal (No symbol) Light preload (C1) Medium preload (C0)		Accuracy symbol (*3) Normal grade (No Symbol)/High accuracy grade (H) Precision grade (P)/Super precision grade (SP) Ultra precision grade (UP)	Symbol for LM rail jointed use	

(\*1) See contamination protection accessory on **A1-516**. (\*2) See **A1-72**. (\*3) See **A1-77**. (\*4) See **A1-13**.

Note) This model number indicates that a single-rail unit constitutes one set. (i.e., required number of sets when 2 rails are used in parallel is 2 at a minimum.) Those models equipped with QZ Lubricator cannot have a grease nipple. When desiring a grease nipple for a model attached with QZ, contact THK.



Models HSR45 to 85R/LR/XR/XLR

Unit: mm

LM rail dimensions						Basic load rating		Static permissible moment kN·m*					Mass	
Width W <sub>1</sub> ±0.05	W <sub>2</sub>	Height M <sub>1</sub>	Pitch F	d <sub>1</sub> × d <sub>2</sub> × h	Length* Max	C kN	C <sub>0</sub> kN	M <sub>a</sub>		M <sub>b</sub>		M <sub>c</sub>	LM block kg	LM rail kg/m
								1 block	Double blocks	1 block	Double blocks	1 block		
15	9.5	15	60	4.5 × 7.5 × 5.3	3000 (1240)	10.9	15.7	0.0945	0.527	0.0945	0.527	0.0998	0.18	1.5
15	9.5	15	60	4.5 × 7.5 × 5.3	3000 (1240)	14.2	22.9	0.194	0.984	0.194	0.984	0.145	0.26	1.5
20	12	18	60	6 × 9.5 × 8.5	3000 (1480)	19.8	27.4	0.218	1.2	0.218	1.2	0.235	0.25	2.3
20	12	18	60	6 × 9.5 × 8.5	3000 (1480)	23.9	35.8	0.363	1.87	0.363	1.87	0.307	0.35	2.3
23	12.5	22	60	7 × 11 × 9	3000 (2020)	27.6	36.4	0.324	1.8	0.324	1.8	0.366	0.54	3.3
23	12.5	22	60	7 × 11 × 9	3000 (2020)	35.2	51.6	0.627	3.04	0.627	3.04	0.518	0.67	3.3
28	16	26	80	9 × 14 × 12	3000 (2520)	40.5	53.7	0.599	3.1	0.599	3.1	0.652	0.9	4.8
28	16	26	80	9 × 14 × 12	3000 (2520)	48.9	70.2	0.995	4.89	0.995	4.89	0.852	1.1	4.8
34	18	29	80	9 × 14 × 12	3000 (2520)	53.9	70.2	0.895	4.51	0.895	4.51	1.05	1.5	6.6
34	18	29	80	9 × 14 × 12	3000 (2520)	65	91.7	1.49	7.13	1.49	7.13	1.37	2	6.6
45	20.5	38	105	14 × 20 × 17	3090	82.2 100	101 135	1.5 2.59	8.37 13.4	1.5 2.59	8.37 13.4	1.94 2.6	2.6 3.1	11
53	23.5	44	120	16 × 23 × 20	3060	121 148	146 194	2.6 4.46	14.1 22.7	2.6 4.46	14.1 22.7	3.43 4.56	4.3 5.4	15.1
63	31.5	53	150	18 × 26 × 22	3000	195 249	228 323	5.08 9.81	25 45.6	5.08 9.81	25 45.6	6.2 8.79	7.3 9.7	22.5 22.5
63	31.5	53	150	18 × 26 × 22	3000	195 249	228 323	5.08 9.81	25 45.6	5.08 9.81	25 45.6	6.2 8.79	7.3 9.3	22.5
85	35.5	65	180	24 × 35 × 28	3000	304 367	355 464	10.2 16.9	51.2 81	10.2 16.9	51.2 81	12.8 16.7	13 16	35.2

Note) The maximum length under "Length\*" indicates the standard maximum length of an LM rail. (See **A1-204**.)

Static permissible moment\* 1 block: the static permissible moment with one LM block

Double blocks: static permissible moment when two LM blocks are in close contact with each other

Overall block length dimension (L)

The overall block lengths (L) in the dimension table are for when the contamination protection accessory symbol is UU or SS. The overall block length (L) will increase if another contamination protection accessory or lubricator is attached.

(See **A1-491** or **A1-512**)

An "M" in the model number indicates the material of the LM block, LM rail, or balls are stainless steel.

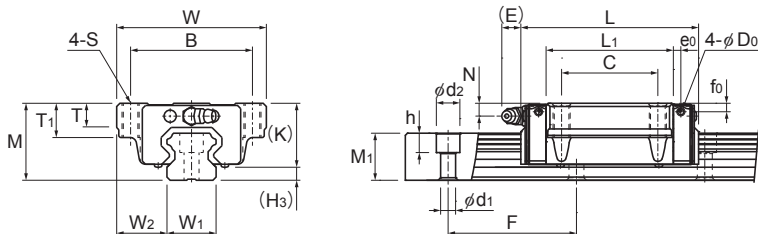
Stainless steel products have superior corrosion resistance and environmental resistance.

\*The diagram shows the side nipple pilot holes for when a grease nipple is desired for a product with LaCS or a QZ Lubricator.

In all other cases, the side nipple pilot holes will not be through holes.

Consult with THK if you desire drilling for grease nipple mounting.

## Models HSR-A and HSR-AM, Models HSR-LA and HSR-LAM



Models HSR15 to 35A/LA/AM/LAM

Model No.	Outer dimensions			LM block dimensions													Pilot hole for side nipple			
	Height	Width	Length	B	C	S	L <sub>1</sub>	t	T	T <sub>1</sub>	K	N	E	Grease nipple	e <sub>0</sub>	f <sub>0</sub>	D <sub>0</sub>	H <sub>3</sub>		
	M	W	L																	
HSR 15A HSR 15AM	24	47	56.6	38	30	M5	38.8	—	7	11	19.3	4.3	5.5	PB1021B	3.2	3.9	3	4.7		
HSR 20A HSR 20AM	30	63	74	53	40	M6	50.8	—	9.5	10	26	5	12	B-M6F	3.1	3.4	3	4		
HSR 20LA HSR 20LAM	30	63	90	53	40	M6	66.8	—	9.5	10	26	5	12	B-M6F	3.1	3.4	3	4		
HSR 25A HSR 25AM	36	70	83.1	57	45	M8	59.5	—	11	16	30.5	6	12	B-M6F	3.5	4	3	5.5		
HSR 25LA HSR 25LAM	36	70	102.2	57	45	M8	78.6	—	11	16	30.5	6	12	B-M6F	3.5	4	3	5.5		
HSR 30A HSR 30AM	42	90	98	72	52	M10	70.4	—	9	18	35	7	12	B-M6F	5.2	6.2	5.2	7		
HSR 30LA HSR 30LAM	42	90	120.6	72	52	M10	93	—	9	18	35	7	12	B-M6F	5.2	6.2	5.2	7		
HSR 35A HSR 35AM	48	100	109.4	82	62	M10	80.4	—	12	21	40.5	8	12	B-M6F	5.5	5.6	5.2	7.5		
HSR 35LA HSR 35LAM	48	100	134.8	82	62	M10	105.8	—	12	21	40.5	8	12	B-M6F	5.5	5.6	5.2	7.5		
HSR 45A HSR 45LA	60	120	139 170.8	100	80	M12	98 129.8	25	13	15	50	10	16	B-PT1/8	6.1	6.6	5.2	10		
HSR 55A HSR 55LA	70	140	163 201.1	116	95	M14	118 156.1	29	13.5	17	57	11	16	B-PT1/8	5.6	7.7	5.2	13		
HSR 65A HSR 65LA	90	170	186 245.5	142	110	M16	147 206.5	37	21.5	23	76	19	16	B-PT1/8	—	—	—	14		
HSR 85A HSR 85LA	110	215	245.6 303	185	140	M20	178.6 236	55	28	30	94	23	16	B-PT1/8	—	—	—	16		

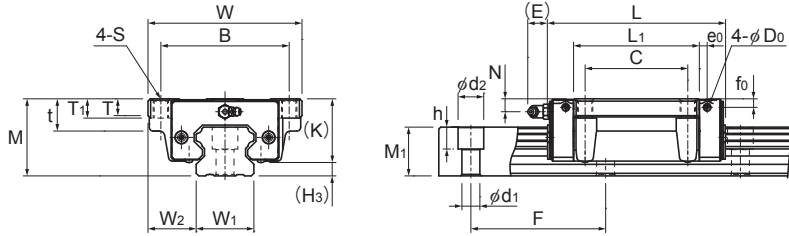
### Model number coding

**HSR25 A 2 QZ UU C0 M +1200L P T M - II**

Model number	Type of LM block	With QZ Lubricator	Contamination protection accessory symbol (*1)	Stainless steel LM block	LM rail length (in mm)	Stainless steel LM rail	Symbol for LM rail jointed use	Symbol for No. of rails used on the same plane (*4)
HSR25	A	2	QZ	UU	C0	M	+1200L	P T M - II
No. of LM blocks used on the same rail			Radial clearance symbol (*2) Normal (No symbol) Light preload (C1) Medium preload (C0)			Accuracy symbol (*3) Normal grade (No Symbol)/High accuracy grade (H) Precision grade (P)/Super precision grade (SP) Ultra precision grade (UP)		

(\*1) See contamination protection accessory on **A1-516**. (\*2) See **A1-72**. (\*3) See **A1-77**. (\*4) See **A1-13**.

Note) This model number indicates that a single-rail unit constitutes one set. (i.e., required number of sets when 2 rails are used in parallel is 2 at a minimum.) Those models equipped with QZ Lubricator cannot have a grease nipple. When desiring a grease nipple for a model attached with QZ, contact THK.



Models HSR45 to 85A/LA

Unit: mm

LM rail dimensions						Basic load rating		Static permissible moment kN•m*					Mass	
Width $W_1$ ±0.05	$W_2$	Height $M_1$	Pitch $F$	Length* $d_1 \times d_2 \times h$ Max	C kN	$C_0$ kN	$M_A$		$M_B$		$M_C$	LM block kg	LM rail kg/m	
							1 block	Double blocks	1 block	Double blocks	1 block			
15	16	15	60	4.5×7.5×5.3 3000 (1240)	10.9	15.7	0.0945	0.527	0.0945	0.527	0.0998	0.2	1.5	
20	21.5	18	60	6×9.5×8.5 3000 (1480)	19.8	27.4	0.218	1.2	0.218	1.2	0.235	0.35	2.3	
20	21.5	18	60	6×9.5×8.5 3000 (1480)	23.9	35.8	0.363	1.87	0.363	1.87	0.307	0.47	2.3	
23	23.5	22	60	7×11×9 3000 (2020)	27.6	36.4	0.324	1.8	0.324	1.8	0.366	0.59	3.3	
23	23.5	22	60	7×11×9 3000 (2020)	35.2	51.6	0.627	3.04	0.627	3.04	0.518	0.75	3.3	
28	31	26	80	9×14×12 3000 (2520)	40.5	53.7	0.599	3.1	0.599	3.1	0.652	1.1	4.8	
28	31	26	80	9×14×12 3000 (2520)	48.9	70.2	0.995	4.89	0.995	4.89	0.852	1.3	4.8	
34	33	29	80	9×14×12 3000 (2520)	53.9	70.2	0.895	4.51	0.895	4.51	1.05	1.6	6.6	
34	33	29	80	9×14×12 3000 (2520)	65	91.7	1.49	7.13	1.49	7.13	1.37	2	6.6	
45	37.5	38	105	14×20×17 3090	82.2 100	101 135	1.5 2.59	8.37 13.4	1.5 2.59	8.37 13.4	1.94 2.6	2.8 3.3	11	
53	43.5	44	120	16×23×20 3060	121 148	146 194	2.6 4.46	14.1 22.7	2.6 4.46	14.1 22.7	3.43 4.56	4.5 5.7	15.1	
63	53.5	53	150	18×26×22 3000	195 249	228 323	5.08 9.81	25 45.6	5.08 9.81	25 45.6	6.2 8.79	8.5 10.7	22.5	
85	65	65	180	24×35×28 3000	304 367	355 464	10.2 16.9	51.2 81	10.2 16.9	51.2 81	12.8 16.7	17 23	35.2	

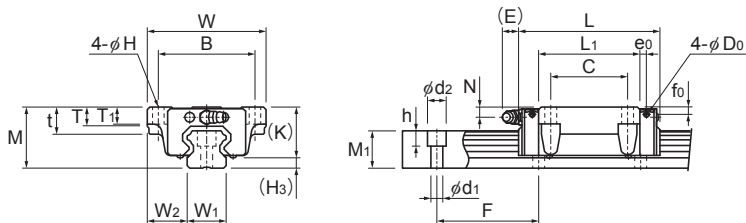
Note) The maximum length under "Length\*" indicates the standard maximum length of an LM rail. (See [A1-204](#).)  
Static permissible moment\*

1 block: the static permissible moment with one LM block  
Double blocks: static permissible moment when two LM blocks are in close contact with each other  
The overall block lengths (L) in the dimension table are for when the contamination protection accessory symbol is UU or SS.  
The overall block length (L) will increase if another contamination protection accessory or lubricator is attached.  
(See [A1-491](#) or [A1-512](#))

An "M" in the model number indicates the material of the LM block, LM rail, or balls are stainless steel.  
Stainless steel products have superior corrosion resistance and environmental resistance.

\*The diagram shows the side nipple pilot holes for when a grease nipple is desired for a product with LaCS or a QZ Lubricator.  
In all other cases, the side nipple pilot holes will not be through holes.  
Consult with THK if you desire drilling for grease nipple mounting.

# Models HSR-B, HSR-BM, HSR-LB and HSR-LBM



Models HSR15 to 35B/LB/BM/LBM

Model No.	Outer dimensions			LM block dimensions											Pilot hole for side nipple			
	Height	Width	Length	B	C	H	L <sub>1</sub>	t	T	T <sub>1</sub>	K	N	E	Grease nipple	e <sub>0</sub>	f <sub>0</sub>	D <sub>0</sub>	H <sub>3</sub>
	M	W	L															
HSR 15B HSR 15BM	24	47	56.6	38	30	4.5	38.8	11	7	7	19.3	4.3	5.5	PB1021B	3.2	3.9	3	4.7
HSR 20B HSR 20BM	30	63	74	53	40	6	50.8	10	9.5	10	26	5	12	B-M6F	3.1	3.4	3	4
HSR 20LB HSR 20LBM	30	63	90	53	40	6	66.8	10	9.5	10	26	5	12	B-M6F	3.1	3.4	3	4
HSR 25B HSR 25BM	36	70	83.1	57	45	7	59.5	16	11	10	30.5	6	12	B-M6F	3.5	4	3	5.5
HSR 25LB HSR 25LBM	36	70	102.2	57	45	7	78.6	16	11	10	30.5	6	12	B-M6F	3.5	4	3	5.5
HSR 30B HSR 30BM	42	90	98	72	52	9	70.4	18	9	10	35	7	12	B-M6F	5.2	6.2	5.2	7
HSR 30LB HSR 30LBM	42	90	120.6	72	52	9	93	18	9	10	35	7	12	B-M6F	5.2	6.2	5.2	7
HSR 35B HSR 35BM	48	100	109.4	82	62	9	80.4	21	12	13	40.5	8	12	B-M6F	5.5	5.6	5.2	7.5
HSR 35LB HSR 35LBM	48	100	134.8	82	62	9	105.8	21	12	13	40.5	8	12	B-M6F	5.5	5.6	5.2	7.5
HSR 45B HSR 45LB	60	120	139 170.8	100	80	11	98 129.8	25	13	15	50	10	16	B-PT1/8	6.1	6.6	5.2	10
HSR 55B HSR 55LB	70	140	163 201.1	116	95	14	118 156.1	29	13.5	17	57	11	16	B-PT1/8	5.6	7.7	5.2	13
HSR 65B HSR 65LB	90	170	186 245.5	142	110	16	147 206.5	37	21.5	23	76	19	16	B-PT1/8	—	—	—	14
HSR 85B HSR 85LB	110	215	245.6 303	185	140	18	178.6 236	55	28	30	94	23	16	B-PT1/8	—	—	—	16

## Model number coding

**HSR25 B 2 QZ UU C0 M +1200L P T M - II**

Model number

Type of LM block

With QZ Lubricator

Contamination protection accessory symbol (\*1)

Stainless steel LM block

LM rail length (in mm)

Stainless steel LM rail

Symbol for LM rail jointed use

Symbol for No. of rails used on the same plane (\*4)

No. of LM blocks used on the same rail

Radial clearance symbol (\*2)

Normal (No symbol)

Light preload (C1)

Medium preload (C0)

Accuracy symbol (\*3)

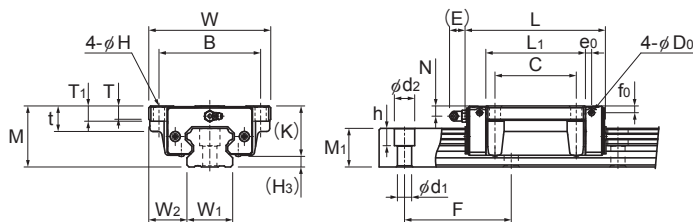
Normal grade (No Symbol)/High accuracy grade (H)

Precision grade (P)/Super precision grade (SP)

Ultra precision grade (UP)

(\*1) See contamination protection accessory on **A1-516**. (\*2) See **A1-72**. (\*3) See **A1-77**. (\*4) See **A1-13**.

Note) This model number indicates that a single-rail unit constitutes one set. (i.e., required number of sets when 2 rails are used in parallel is 2 at a minimum.) Those models equipped with QZ Lubricator cannot have a grease nipple. When desiring a grease nipple for a model attached with QZ, contact THK.



Models HSR45 to 85B/LB

Unit: mm

LM rail dimensions						Basic load rating		Static permissible moment kN·m *					Mass	
Width $W_1$ $\pm 0.05$	$W_2$	Height $M_1$	Pitch $F$	$d_1 \times d_2 \times h$	Length* Max	$C$ kN	$C_0$ kN	$M_A$		$M_B$		$M_C$	LM block kg	LM rail kg/m
								1 block	Double blocks	1 block	Double blocks	1 block		
15	16	15	60	4.5×7.5×5.3	3000 (1240)	10.9	15.7	0.0945	0.527	0.0945	0.527	0.0998	0.2	1.5
20	21.5	18	60	6×9.5×8.5	3000 (1480)	19.8	27.4	0.218	1.2	0.218	1.2	0.235	0.35	2.3
20	21.5	18	60	6×9.5×8.5	3000 (1480)	23.9	35.8	0.363	1.87	0.363	1.87	0.307	0.47	2.3
23	23.5	22	60	7×11×9	3000 (2020)	27.6	36.4	0.324	1.8	0.324	1.8	0.366	0.59	3.3
23	23.5	22	60	7×11×9	3000 (2020)	35.2	51.6	0.627	3.04	0.627	3.04	0.518	0.75	3.3
28	31	26	80	9×14×12	3000 (2520)	40.5	53.7	0.599	3.1	0.599	3.1	0.652	1.1	4.8
28	31	26	80	9×14×12	3000 (2520)	48.9	70.2	0.995	4.89	0.995	4.89	0.852	1.3	4.8
34	33	29	80	9×14×12	3000 (2520)	53.9	70.2	0.895	4.51	0.895	4.51	1.05	1.6	6.6
34	33	29	80	9×14×12	3000 (2520)	65	91.7	1.49	7.13	1.49	7.13	1.37	2	6.6
45	37.5	38	105	14×20×17	3090	82.2 100	101 135	1.5 2.59	8.37 13.4	1.5 2.59	8.37 13.4	1.94 2.6	2.8 3.3	11
53	43.5	44	120	16×23×20	3060	121 148	146 194	2.6 4.46	14.1 22.7	2.6 4.46	14.1 22.7	3.43 4.56	4.5 5.7	15.1
63	53.5	53	150	18×26×22	3000	195 249	228 323	5.08 9.81	25 45.6	5.08 9.81	25 45.6	6.2 8.79	8.5 10.7	22.5
85	65	65	180	24×35×28	3000	304 367	355 464	10.2 16.9	51.2 81	10.2 16.9	51.2 81	12.8 16.7	17 23	35.2

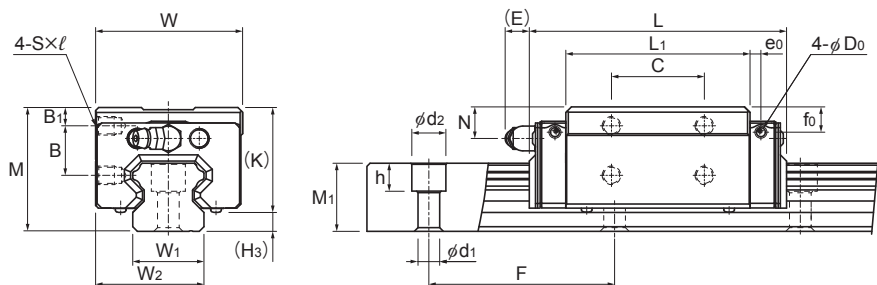
Note) The maximum length under "Length\*" indicates the standard maximum length of an LM rail. (See **A1-204**.)  
Static permissible moment\* 1 block: the static permissible moment with one LM block

Double blocks: static permissible moment when two LM blocks are in close contact with each other  
The overall block lengths (L) in the dimension table are for when the contamination protection accessory symbol is UU or SS.  
The overall block length (L) will increase if another contamination protection accessory or lubricator is attached.  
(See **A1-491** or **A1-512**)

An "M" in the model number indicates the material of the LM block, LM rail, or balls are stainless steel.  
Stainless steel products have superior corrosion resistance and environmental resistance.

\*The diagram shows the side nipple pilot holes for when a grease nipple is desired for a product with LaCS or a QZ Lubricator.  
In all other cases, the side nipple pilot holes will not be through holes.  
Consult with THK if you desire drilling for grease nipple mounting.

## Models HSR-YR, HSR-YRM and HSR-XYR



Models HSR15 to 35YR/YRM

Model No.	Outer dimensions			LM block dimensions										Pilot hole for side nipple			H <sub>3</sub>
	Height	Width	Length	B <sub>1</sub>	B	C	S × l	L <sub>1</sub>	K	N	E	Grease nipple	e <sub>0</sub>	f <sub>0</sub>	D <sub>0</sub>		
	M	W	L														
HSR 15YR HSR 15YRM	28	33.5	56.6	4.3	11.5	18	M4 × 5	38.8	23.3	8.3	5.5	PB1021B	3.2	7.9	3	4.7	
HSR 20YR HSR 20YRM	30	43.5	74	4	11.5	25	M5 × 6	50.8	26	5	12	B-M6F	3.1	3.4	3	4	
HSR 25YR HSR 25YRM	40	47.5	83.1	6	16	30	M6 × 6	59.5	34.5	10	12	B-M6F	3.5	8	3	5.5	
HSR 30YR HSR 30YRM	45	59.5	98	8	16	40	M6 × 9	70.4	38	10	12	B-M6F	5.2	9.2	5.2	7	
HSR 35YR HSR 35YRM	55	69.5	109.4	8	23	43	M8 × 10	80.4	47.5	15	12	B-M6F	5.5	12.6	5.2	7.5	
HSR 45YR	70	85.5	139	10	30	55	M10 × 14	98	60	20	16	B-PT1/8	6.1	16.6	5.2	10	
HSR 55YR	80	99.5	163	12	32	70	M12 × 15	118	67	21	16	B-PT1/8	5.6	17.7	5.2	13	
HSR 65XYR	90	124.5	190.5	12	35	85	M16 × 22	138.5	76	19	16	B-PT1/8	6.8	14.6	5.2	14	
HSR 65YR	90	124.5	186	12	35	85	M16 × 22	147	76	19	16	B-PT1/8	—	—	—	14	

### Model number coding

**HSR25 YR 2 UU C0 M +1200L P T M - II**

Model number

Type of LM block

Contamination protection accessory symbol (\*1)

Stainless steel LM block

LM rail length (in mm)

Stainless steel LM rail

Symbol for No. of rails used on the same plane (\*4)

No. of LM blocks used on the same rail

Radial clearance symbol (\*2)

Normal (No symbol)  
Light preload (C1)  
Medium preload (C0)

Accuracy symbol (\*3)

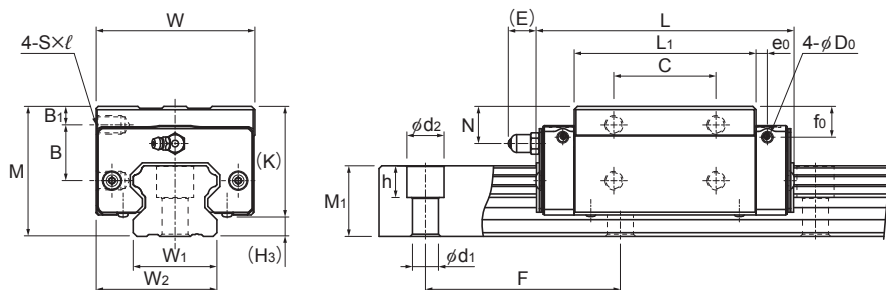
Normal grade (No Symbol)/High accuracy grade (H)  
Precision grade (P)/Super precision grade (SP)  
Ultra precision grade (UP)

Symbol for LM rail jointed use

(\*1) See contamination protection accessory on [A1-516](#). (\*2) See [A1-72](#). (\*3) See [A1-77](#). (\*4) See [A1-13](#).

Note) This model number indicates that a single-rail unit constitutes one set. (i.e., required number of sets when 2 rails are used in parallel is 2 at a minimum.)





Models HSR45 to 65YR/XYR

Unit: mm

LM rail dimensions						Basic load rating		Static permissible moment kN·m*					Mass	
Width W <sub>1</sub> ±0.05	W <sub>2</sub>	Height M <sub>1</sub>	Pitch F	d <sub>1</sub> ×d <sub>2</sub> ×h	Length* Max	C kN	C <sub>0</sub> kN	M <sub>A</sub>		M <sub>B</sub>		M <sub>C</sub>	LM block kg	LM rail kg/m
								1 block	Double blocks	1 block	Double blocks	1 block		
15	24	15	60	4.5×7.5×5.3	3000 (1240)	10.9	15.7	0.0945	0.527	0.0945	0.527	0.0998	0.18	1.5
20	31.5	18	60	6×9.5×8.5	3000 (1480)	19.8	27.4	0.218	1.2	0.218	1.2	0.235	0.25	2.3
23	35	22	60	7×11×9	3000 (2020)	27.6	36.4	0.324	1.8	0.324	1.8	0.366	0.54	3.3
28	43.5	26	80	9×14×12	3000 (2520)	40.5	53.7	0.599	3.1	0.599	3.1	0.652	0.9	4.8
34	51.5	29	80	9×14×12	3000 (2520)	53.9	70.2	0.895	4.51	0.895	4.51	1.05	1.5	6.6
45	65	38	105	14×20×17	3090	82.2	101	1.5	8.37	1.5	8.37	1.94	2.6	11
53	76	44	120	16×23×20	3060	121	146	2.6	14.1	2.6	14.1	3.43	4.3	15.1
63	93	53	150	18×26×22	3000	195	228	5.08	25	5.08	25	6.2	7.3	22.5
63	93	53	150	18×26×22	3000	195	228	5.08	25	5.08	25	6.2	7.3	22.5

Note) See [A1-455](#) or [A1-457](#) for how to install the HSR-YR and HSR-YRM.

The maximum length under "Length\*" indicates the standard maximum length of an LM rail. (See [A1-204](#).)

Static permissible moment\* 1 block: the static permissible moment with one LM block

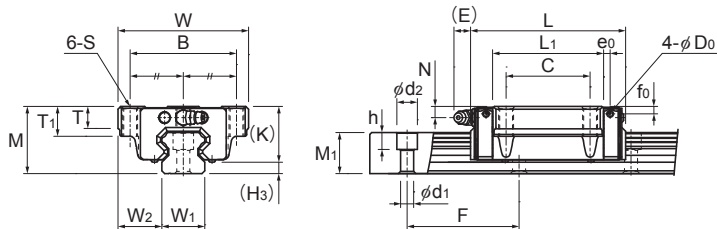
Double blocks: static permissible moment when two LM blocks are in close contact with each other

Total block length L : The total block length L shown in the table is the length with the dust proof parts, code UU or SS. If other contamination protection accessories or lubricant equipment are installed, the total block length will increase.

(See [A1-491](#) or [A1-512](#))

The M in the model number symbol indicates that the LM block, LM rail and balls are made of stainless steel. The stainless steel provides excellent corrosion and environmental resistance.

# Models HSR-CA, HSR-CAM, HSR-HA, HSR-HAM, HSR-XCA and HSR-XHA



Models HSR20 to 35CA/HA/CAM/HAM

Model No.	Outer dimensions			LM block dimensions											Pilot hole for side nipple			
	Height	Width	Length	B	C	S	L <sub>1</sub>	t	T	T <sub>1</sub>	K	N	E	Grease nipple	e <sub>0</sub>	f <sub>0</sub>	D <sub>0</sub>	H <sub>3</sub>
	M	W	L															
HSR 20CA HSR 20CAM	30	63	74	53	40	M6	50.8	—	9.5	10	26	5	12	B-M6F	3.1	3.4	3	4
HSR 20HA HSR 20HAM	30	63	90	53	40	M6	66.8	—	9.5	10	26	5	12	B-M6F	3.1	3.4	3	4
HSR 25CA HSR 25CAM	36	70	83.1	57	45	M8	59.5	—	11	16	30.5	6	12	B-M6F	3.5	4	3	5.5
HSR 25HA HSR 25HAM	36	70	102.2	57	45	M8	78.6	—	11	16	30.5	6	12	B-M6F	3.5	4	3	5.5
HSR 30CA HSR 30CAM	42	90	98	72	52	M10	70.4	—	9	18	35	7	12	B-M6F	5.2	6.2	5.2	7
HSR 30HA HSR 30HAM	42	90	120.6	72	52	M10	93	—	9	18	35	7	12	B-M6F	5.2	6.2	5.2	7
HSR 35CA HSR 35CAM	48	100	109.4	82	62	M10	80.4	—	12	21	40.5	8	12	B-M6F	5.5	5.6	5.2	7.5
HSR 35HA HSR 35HAM	48	100	134.8	82	62	M10	105.8	—	12	21	40.5	8	12	B-M6F	5.5	5.6	5.2	7.5
HSR 45CA HSR 45HA	60	120	139 170.8	100	80	M12	98 129.8	25	13	15	50	10	16	B-PT1/8	6.1	6.6	5.2	10
HSR 55CA HSR 55HA	70	140	163 201.1	116	95	M14	118 156.1	29	13.5	17	57	11	16	B-PT1/8	5.6	7.7	5.2	13
HSR 65XCA HSR 65XHA	90	170	190.5 250	142	110	M16	138.5 198	37	21.5	23	76	19	16	B-PT1/8	6.8	14.6	5.2	14
HSR 65CA HSR 65HA	90	170	186 245.5	142	110	M16	147 206.5	37	21.5	23	76	19	16	B-PT1/8	—	—	—	14
HSR 85CA HSR 85HA	110	215	245.6 303	185	140	M20	178.6 236	55	28	30	94	23	16	B-PT1/8	—	—	—	16

## Model number coding

**HSR25 HA 2 QZ KKHH C0 M +1300L P T M - II**

Model number

Type of LM block

With QZ Lubricator

Contamination protection accessory symbol (\*1)

Stainless steel LM block

LM rail length (in mm)

Stainless steel LM rail

No. of LM blocks used on the same rail

Radial clearance symbol (\*2)  
Normal (No symbol)  
Light preload (C1)  
Medium preload (C0)Accuracy symbol (\*3)  
Normal grade (No Symbol)  
High accuracy grade (H)  
Precision grade (P)  
Super precision grade (SP)  
Ultra precision grade (UP)

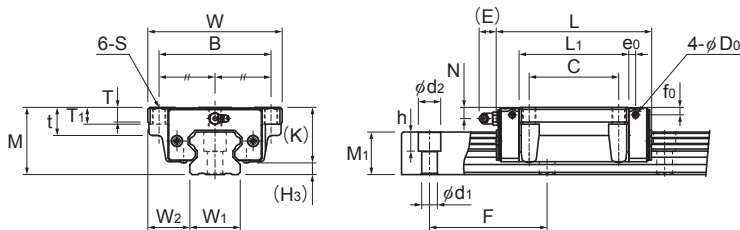
Symbol for LM rail jointed use

Symbol for No. of rails used on the same plane (\*4)

(\*1) See contamination protection accessory on **A1-516**. (\*2) See **A1-72**. (\*3) See **A1-77**. (\*4) See **A1-13**.

Note) This model number indicates that a single-rail unit constitutes one set. (i.e., required number of sets when 2 rails are used in parallel is 2 at a minimum.)

Those models equipped with QZ Lubricator cannot have a grease nipple. When desiring a grease nipple for a model attached with QZ, contact THK.



Models HSR45 to 85CA/HA/XCA/XHA

Unit: mm

LM rail dimensions							Basic load rating		Static permissible moment kN·m*					Mass	
Width $W_1$ $\pm 0.05$	$W_2$	Height $M_1$	Pitch $F$	$d_1 \times d_2 \times h$	Length* Max	$C$ kN	$C_0$ kN	$M_A$		$M_B$		$M_C$	LM block kg	LM rail kg/m	
								1 block	Double blocks	1 block	Double blocks	1 block			
20	21.5	18	60	6×9.5×8.5	3000 (1480)	19.8	27.4	0.218	1.2	0.218	1.2	0.235	0.35	2.3	
20	21.5	18	60	6×9.5×8.5	3000 (1480)	23.9	35.8	0.363	1.87	0.363	1.87	0.307	0.47	2.3	
23	23.5	22	60	7×11×9	3000 (2020)	27.6	36.4	0.324	1.8	0.324	1.8	0.366	0.59	3.3	
23	23.5	22	60	7×11×9	3000 (2020)	35.2	51.6	0.627	3.04	0.627	3.04	0.518	0.75	3.3	
28	31	26	80	9×14×12	3000 (2520)	40.5	53.7	0.599	3.1	0.599	3.1	0.652	1.1	4.8	
28	31	26	80	9×14×12	3000 (2520)	48.9	70.2	0.995	4.89	0.995	4.89	0.852	1.3	4.8	
34	33	29	80	9×14×12	3000 (2520)	53.9	70.2	0.895	4.51	0.895	4.51	1.05	1.6	6.6	
34	33	29	80	9×14×12	3000 (2520)	65	91.7	1.49	7.13	1.49	7.13	1.37	2	6.6	
45	37.5	38	105	14×20×17	3090	82.2 100	101 135	1.5 2.59	8.37 13.4	1.5 2.59	8.37 13.4	1.94 2.6	2.8 3.3	11	
53	43.5	44	120	16×23×20	3060	121 148	146 194	2.6 4.46	14.1 22.7	2.6 4.46	14.1 22.7	3.43 4.56	4.5 5.7	15.1	
63	53.5	53	150	18×26×22	3000	195 249	228 323	5.08 9.81	25 45.6	5.08 9.81	25 45.6	6.2 8.79	8.5 10.7	22.5	
63	53.5	53	150	18×26×22	3000	195 249	228 323	5.08 9.81	25 45.6	5.08 9.81	25 45.6	6.2 8.79	8.5 10.7	22.5	
85	65	65	180	24×35×28	3000	304 367	355 464	10.2 16.9	51.2 81	10.2 16.9	51.2 81	12.8 16.7	17 23	35.2	

Note) The maximum length under "Length\*" indicates the standard maximum length of an LM rail. (See [A1-204](#).)

Static permissible moment\* 1 block: the static permissible moment with one LM block

Double blocks: static permissible moment when two LM blocks are in close contact with each other

Total block length L

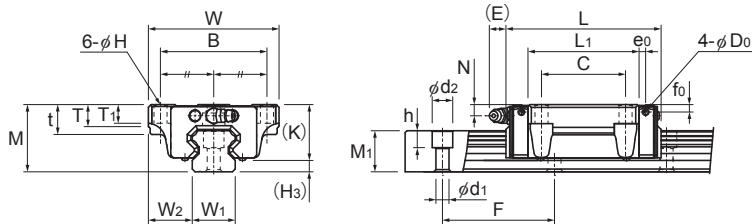
: The total block length L shown in the table is the length with the dust proof parts, code UU or SS.

If other contamination protection accessories or lubricant equipment are installed, the total block length will increase.

(See [A1-491](#) or [A1-512](#))

The M in the model number symbol indicates that the LM block, LM rail and balls are made of stainless steel. The stainless steel provides excellent corrosion and environmental resistance.

## Models HSR-CB, HSR-CBM, HSR-HB, HSR-HBM, HSR-XCB and HSR-XHB



Models HSR20 to 35CB/HB/CBM/HBM

Model No.	Outer dimensions			LM block dimensions											Pilot hole for side nipple			
	Height	Width	Length	B	C	H	L <sub>1</sub>	t	T	T <sub>1</sub>	K	N	E	Grease nipple	e <sub>0</sub>	f <sub>0</sub>	D <sub>0</sub>	H <sub>3</sub>
	M	W	L															
HSR 20CB HSR 20CBM	30	63	74	53	40	6	50.8	10	9.5	10	26	5	12	B-M6F	3.1	3.4	3	4
HSR 20HB HSR 20HBM	30	63	90	53	40	6	66.8	10	9.5	10	26	5	12	B-M6F	3.1	3.4	3	4
HSR 25CB HSR 25CBM	36	70	83.1	57	45	7	59.5	16	11	10	30.5	6	12	B-M6F	3.5	4	3	5.5
HSR 25HB HSR 25HBM	36	70	102.2	57	45	7	78.6	16	11	10	30.5	6	12	B-M6F	3.5	4	3	5.5
HSR 30CB HSR 30CBM	42	90	98	72	52	9	70.4	18	9	10	35	7	12	B-M6F	5.2	6.2	5.2	7
HSR 30HB HSR 30HBM	42	90	120.6	72	52	9	93	18	9	10	35	7	12	B-M6F	5.2	6.2	5.2	7
HSR 35CB HSR 35CBM	48	100	109.4	82	62	9	80.4	21	12	13	40.5	8	12	B-M6F	5.5	5.6	5.2	7.5
HSR 35HB HSR 35HBM	48	100	134.8	82	62	9	105.8	21	12	13	40.5	8	12	B-M6F	5.5	5.6	5.2	7.5
HSR 45CB HSR 45HB	60	120	139 170.8	100	80	11	98 129.8	25	13	15	50	10	16	B-PT1/8	6.1	6.6	5.2	10
HSR 55CB HSR 55HB	70	140	163 201.1	116	95	14	118 156.1	29	13.5	17	57	11	16	B-PT1/8	5.6	7.7	5.2	13
HSR 65XCB HSR 65XHB	90	170	190.5 250	142	110	16	138.5 198	37	21.5	23	76	19	16	B-PT1/8	6.8	14.6	5.2	14
HSR 65CB HSR 65HB	90	170	186 245.5	142	110	16	147 206.5	37	21.5	23	76	19	16	B-PT1/8	—	—	—	14
HSR 85CB HSR 85HB	110	215	245.6 303	185	140	18	178.6 236	55	28	30	94	23	16	B-PT1/8	—	—	—	16

### Model number coding

**HSR35 CB 2 QZ ZZHH C0 M +1400L P T M - II**

Model number

Type of LM block

With QZ Lubricator

Contamination protection accessory symbol (\*1)

Stainless steel LM block

LM rail length (in mm)

Stainless steel LM rail

No. of LM blocks used on the same rail

Radial clearance symbol (\*2)  
Normal (No symbol)  
Light preload (C1)  
Medium preload (C0)Accuracy symbol (\*3)  
Normal grade (No Symbol)  
High accuracy grade (H)  
Precision grade (P)  
Super precision grade (SP)  
Ultra precision grade (UP)

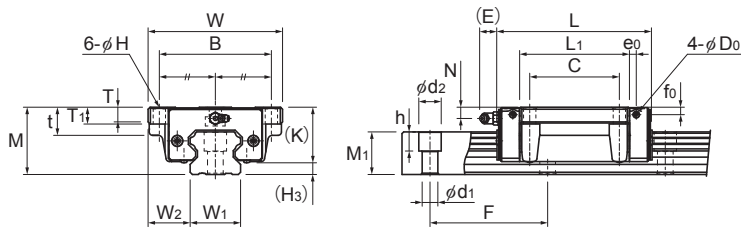
Symbol for LM rail jointed use

Symbol for No. of rails used on the same plane (\*4)

(\*1) See contamination protection accessory on **A1-516**. (\*2) See **A1-72**. (\*3) See **A1-77**. (\*4) See **A1-13**.

Note) This model number indicates that a single-rail unit constitutes one set. (i.e., required number of sets when 2 rails are used in parallel is 2 at a minimum.)

Those models equipped with QZ Lubricator cannot have a grease nipple. When desiring a grease nipple for a model attached with QZ, contact THK.



Models HSR45 to 85CB/HB/XCB/XHB

Unit: mm

LM rail dimensions							Basic load rating		Static permissible moment $\text{kN}\cdot\text{m}^*$					Mass	
Width $W_1$ $\pm 0.05$	Height $W_2$	Pitch $M_1$	Pitch $F$	Length* $d_1 \times d_2 \times h$	Length* Max	C kN	$C_0$ kN	$M_A$		$M_B$		$M_C$	LM block kg	LM rail kg/m	
								1 block	Double blocks	1 block	Double blocks	1 block			
20	21.5	18	60	$6 \times 9.5 \times 8.5$	3000 (1480)	19.8	27.4	0.218	1.2	0.218	1.2	0.235	0.35	2.3	
20	21.5	18	60	$6 \times 9.5 \times 8.5$	3000 (1480)	23.9	35.8	0.363	1.87	0.363	1.87	0.307	0.47	2.3	
23	23.5	22	60	$7 \times 11 \times 9$	3000 (2020)	27.6	36.4	0.324	1.8	0.324	1.8	0.366	0.59	3.3	
23	23.5	22	60	$7 \times 11 \times 9$	3000 (2020)	35.2	51.6	0.627	3.04	0.627	3.04	0.518	0.75	3.3	
28	31	26	80	$9 \times 14 \times 12$	3000 (2520)	40.5	53.7	0.599	3.1	0.599	3.1	0.652	1.1	4.8	
28	31	26	80	$9 \times 14 \times 12$	3000 (2520)	48.9	70.2	0.995	4.89	0.995	4.89	0.852	1.3	4.8	
34	33	29	80	$9 \times 14 \times 12$	3000 (2520)	53.9	70.2	0.895	4.51	0.895	4.51	1.05	1.6	6.6	
34	33	29	80	$9 \times 14 \times 12$	3000 (2520)	65	91.7	1.49	7.13	1.49	7.13	1.37	2	6.6	
45	37.5	38	105	$14 \times 20 \times 17$	3090	82.2 100	101 135	1.5 2.59	8.37 13.4	1.5 2.59	8.37 13.4	1.94 2.6	2.8 3.3	11	
53	43.5	44	120	$16 \times 23 \times 20$	3060	121 148	146 194	2.6 4.46	14.1 22.7	2.6 4.46	14.1 22.7	3.43 4.56	4.5 5.7	15.1	
63	53.5	53	150	$18 \times 26 \times 22$	3000	195 249	228 323	5.08 9.81	25 45.6	5.08 9.81	25 45.6	6.2 8.79	8.5 10.7	22.5	
63	53.5	53	150	$18 \times 26 \times 22$	3000	195 249	228 323	5.08 9.81	25 45.6	5.08 9.81	25 45.6	6.2 8.79	8.5 10.7	22.5	
85	65	65	180	$24 \times 35 \times 28$	3000	304 367	355 464	10.2 16.9	51.2 81	10.2 16.9	51.2 81	12.8 16.7	17 23	35.2	

Note) The maximum length under "Length\*" indicates the standard maximum length of an LM rail. (See [A1-204](#).)

Static permissible moment\* 1 block: the static permissible moment with one LM block

Double blocks: static permissible moment when two LM blocks are in close contact with each other

Total block length L

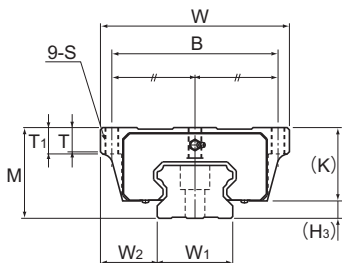
: The total block length L shown in the table is the length with the dust proof parts, code UU or SS.

If other contamination protection accessories or lubricant equipment are installed, the total block length will increase.

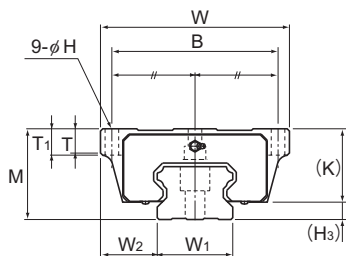
(See [A1-491](#) or [A1-512](#))

The M in the model number symbol indicates that the LM block, LM rail and balls are made of stainless steel. The stainless steel provides excellent corrosion and environmental resistance.

## Models HSR-HA, HSR-HB and HSR-HR



Models HSR100 to 150HA



Models HSR100 to 150HB

Model No.	Outer dimensions			LM block dimensions										Grease nipple	H <sub>3</sub>
	Height	Width	Length	B	C	H	S × ℓ	L <sub>i</sub>	T	T <sub>1</sub>	K	N	E		
	M	W	L												
HSR 100HA HSR 100HB HSR 100HR	120	250 250 200	334	220 220 130	200	20	M18* — M18×27	261	32 32 33	35 35 —	100	23	16	B-PT1/4	20
HSR 120HA HSR 120HB HSR 120HR	130	290 290 220	365	250 250 146	210	22	M20* — M20×30	287	34 34 33.7	38 38 —	110	26.5	16	B-PT1/4	20
HSR 150HA HSR 150HB HSR 150HR	145	350 350 266	396	300 300 180	230	26	M24* — M24×35	314	36 36 33	40 40 —	123	29	16	B-PT1/4	22

Note) "\*" indicates a through hole.

### Model number coding

**HSR150 HR 2 UU C1 +2350L H T -II**

Model number

Type of LM block

Contamination protection accessory symbol (\*1)

LM rail length (in mm)

Symbol for LM rail jointed use

Symbol for No. of rails used on the same plane (\*4)

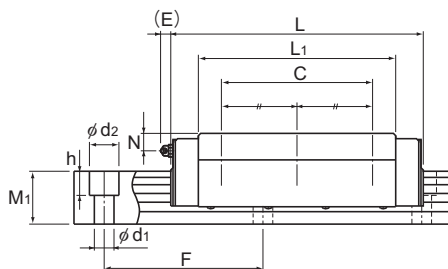
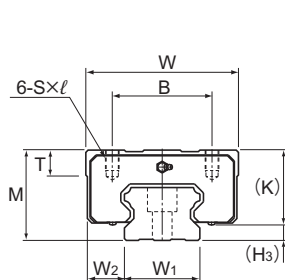
No. of LM blocks used on the same rail

Radial clearance symbol (\*2)  
Normal (No symbol)  
Light preload (C1)  
Medium preload (C0)

Accuracy symbol (\*3)  
Normal grade (No Symbol)/High accuracy grade (H)  
Precision grade (P)/Super precision grade (SP)  
Ultra precision grade (UP)

(\*1) See contamination protection accessory on **A1-516**. (\*2) See **A1-72**. (\*3) See **A1-77**. (\*4) See **A1-13**.

Note) This model number indicates that a single-rail unit constitutes one set. (i.e., required number of sets when 2 rails are used in parallel is 2 at a minimum.)



Models HSR100 to 150HR

Unit: mm

	LM rail dimensions					Basic load rating			Static permissible moment kN·m*					Mass	
	Width	Height	Pitch	Length*	C	C <sub>0</sub>	M <sub>A</sub>		M <sub>B</sub>		M <sub>C</sub>	LM block	LM rail		
	W <sub>1</sub> ±0.05						M <sub>1</sub>	F	d <sub>1</sub> × d <sub>2</sub> × h	Max	kN			kN	1 block
100	75 75 50	70	210	26 × 39 × 32	3000	441	540	20.7	105	20.7	105	24.1	32	49	
114	88 88 53	75	230	33 × 48 × 43	3000	540	653	27.5	138	27.5	138	33.3	43	61	
144	103 103 61	85	250	39 × 58 × 46	3000	518	728	33.6	167	33.6	167	45.2	62	87	

Note) The maximum length under "Length\*" indicates the standard maximum length of an LM rail. (See **A1-204**.)

Static permissible moment\* 1 block: the static permissible moment with one LM block

Double blocks: static permissible moment when two LM blocks are in close contact with each other

Total block length L

: The total block length L shown in the table is the length with the dust proof parts, code UU or SS. If other contamination protection accessories or lubricant equipment are installed, the total block length will increase.

(See **A1-491** or **A1-512**)

## Standard Length and Maximum Length of the LM Rail

Table1 shows the standard lengths and the maximum lengths of model HSR variations. If the maximum length of the desired LM rail exceeds them, jointed rails will be used. Contact THK for details. For special rail lengths, it is recommended to use a value corresponding to the G,g dimension from the table. As the G,g dimension increases, this portion becomes less stable, and the accuracy performance is severely impacted.

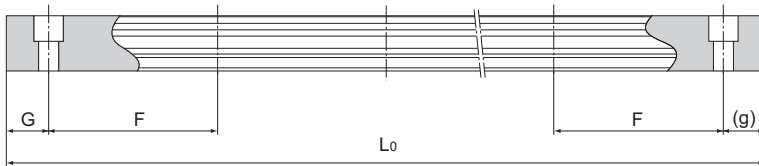


Table1 Standard Length and Maximum Length of the LM Rail for Model HSR

Unit: mm

Model No.	HSR 8	HSR 10	HSR 12	HSR 15	HSR 20	HSR 25	HSR 30	HSR 35	HSR 45	HSR 55	HSR 65	HSR 85	HSR 100	HSR 120	HSR 150
LM rail standard length ( $L_0$ )	35	45	70	160	160	220	280	280	570	780	1270	1530	1340	1470	1600
	55	70	110	220	220	280	360	360	675	900	1570	1890	1760	1930	2100
	75	95	150	280	280	340	440	440	780	1020	2020	2250	2180	2390	2350
	95	120	190	340	340	400	520	520	885	1140	2620	2610	2600		
	115	145	230	400	400	460	600	600	990	1260					
	135	170	270	460	460	520	680	680	1095	1380					
	155	195	310	520	520	580	760	760	1200	1500					
	175	220	350	580	580	640	840	840	1305	1620					
	195	245	390	640	640	700	920	920	1410	1740					
	215	270	430	700	700	760	1000	1000	1515	1860					
	235	295	470	760	760	820	1080	1080	1620	1980					
	255	320	510	820	820	940	1160	1160	1725	2100					
	275	345	550	940	940	1000	1240	1240	1830	2220					
		370	590	1000	1000	1060	1320	1320	1935	2340					
		395	630	1060	1060	1120	1400	1400	2040	2460					
		420	670	1120	1120	1180	1480	1480	2145	2580					
		445		1180	1180	1240	1560	1560	2250	2700					
		470		1240	1240	1300	1640	1640	2355	2820					
				1360	1360	1360	1720	1720	2460	2940					
				1480	1480	1420	1800	1800	2565	3060					
				1600	1600	1480	1880	1880	2670						
					1720	1540	1960	1960	2775						
					1840	1600	2040	2040	2880						
					1960	1720	2200	2200	2985						
					2080	1840	2360	2360	3090						
				2200	1960	2520	2520								
					2080	2680	2680								
					2200	2840	2840								
					2320	3000	3000								
					2440										
Standard pitch F	20	25	40	60	60	60	80	80	105	120	150	180	210	230	250
G,g	7.5	10	15	20	20	20	20	20	22.5	30	35	45	40	45	50
Max length	(975)	(995)	(1240)	<sup>3000</sup> (1240)	<sup>3000</sup> (1480)	<sup>3000</sup> (2020)	<sup>3000</sup> (2520)	<sup>3000</sup> (2520)	3090	3060	3000	3000	3000	3000	3000

Note1) The maximum length varies with accuracy grades. Contact THK for details.

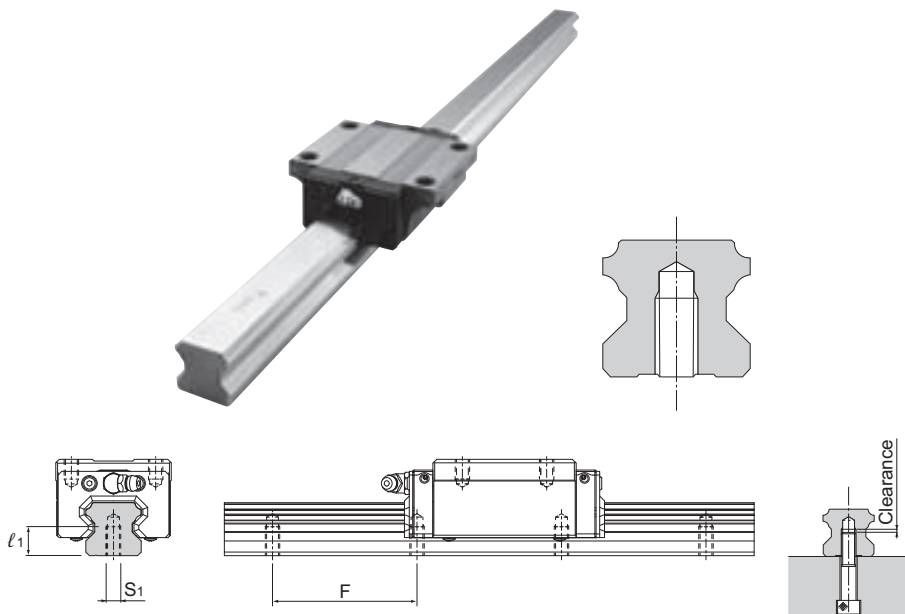
Note2) If jointed rails are not allowed and a greater length than the maximum values above is required, contact THK.

Note3) The figures in the parentheses indicate the maximum lengths of stainless steel made models.



## Tapped-hole LM Rail Type of Model HSR

HSR model rails also include a type where the LM rail is tapped from the bottom. This type is useful when mounting from the bottom of the base and when increased contamination protection is desired.



- (1) Determine the bolt length so that a clearance of 2 to 5 mm is secured between the bolt end and the bottom of the tap (effective tap depth). (See figure above.)
- (2) A tapped-hole LM rail type is also available for models HSR-YR and HSR-XYR.
- (3) For standard pitches of the taps, see Table1 on **A1-204**.

Table2 Dimensions of the LM Rail Tap

Unit: mm

Model No.	S <sub>1</sub>	Effective tap depth $l_1$
HSR 15	M5	8
HSR 20	M6	10
HSR 25	M6	12
HSR 30	M8	15
HSR 35	M8	17
HSR 45	M12	24
HSR 55	M14	24
HSR 65	M20	30

### Model number coding

**HSR30A2UU +1000LH K**

Symbol for  
tapped-hole LM rail type

## Prevention of LM block from falling off of LM rail

In miniature model HSR, the balls fall out if the LM block comes off the LM rail.

For this reason, LM Guide assemblies are delivered with a part which prevents the LM block from coming off the rail. If you remove this part when using the product, please take precautions to avoid overrunning the blocks off of the rail.

## Greasing Hole

### [Greasing Hole for Model HSR]

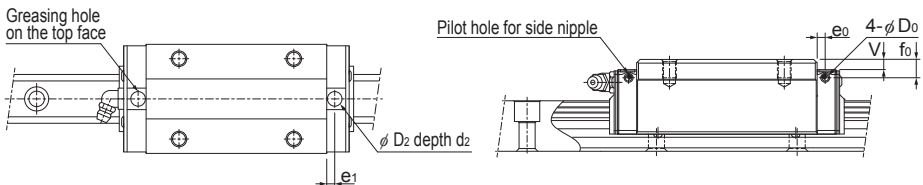
The Model HSR LM block can be greased from the side or top surface. In order to prevent foreign material from entering the LM block, greasing holes are not through holes in blocks with regular specifications. Contact THK if these will be used.

In addition, contact THK if you will use an upper surface greasing hole with a Model HSR-R, HSR-XR, HSR-LR, HSR-XLR, HSR-YR, or HSR-XYR, as a lubrication adapter is required.

The lubricant may not reach the raceway if the LM Guide is not installed in a horizontal orientation.

Be sure to let THK know the mounting orientation and the position where the grease nipple or plumbing fixture will be attached to each LM block.

See **A1-12** for the mounting orientation and **A24-2** for lubrication.



Unit: mm

Model No.	Pilot hole for side nipple			Applicable nipple	Greasing hole on the top face					
	e <sub>0</sub>	f <sub>0</sub>	D <sub>0</sub>		D <sub>2</sub>	(O-ring)	V	e <sub>1</sub>	d <sub>2</sub>	
HSR	15C	3.2	3.9	3	PB107	5.1	SS4	0.3	3.2	0.65
	15LC									
	15A									
	15B									
	15CA									
	15HA									
	15CB									
	15HB									
	15R	3.2	7.9	3		6	SS5	0.2	4.3	0.6
	15LR									
	15YR									
	20C	3.1	3.4	3		6	SS5	0.2	4.3	0.6
	20LC									
	20A									
20LA										
20B										
20LB										
20CA										
20HA										
20CB	3.1	3.4	3	6	SS5	0.2	4.3	0.6		
20HB										
20R										
20LR	3.1	3.4	3	6	SS5	0.2	4.3	0.6		
20YR										

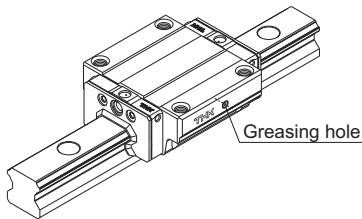
Model No.		Pilot hole for side nipple			Applicable nipple	Greasing hole on the top face				
		e <sub>0</sub>	f <sub>0</sub>	D <sub>0</sub>		D <sub>2</sub>	(O-ring)	V	e <sub>1</sub>	d <sub>2</sub>
HSR	25C 25LC 25A 25LA 25B 25LB 25CA 25HA 25CB 25HB	3.5	4	3	PB107	6.2	P3	0.4	3.9	1
	25R 25LR 25YR	3.5	8	3				4.4		
	30C 30LC 30A 30LA 30B 30LB 30CA 30HA 30CB 30HB	5.2	6.2	5.2				M6F		
	30R 30LR 30YR	5.2	9.2	5.2	3.4					
	35C 35LC 35A 35LA 35B 35LB 35CA 35HA 35CB 35HB	5.5	5.6	5.2	6.2	P3	0.4		5.5	1
	35R 35LR 35YR	5.5	12.6	5.2			7.4			
	45C 45LC 45A 45LA 45B 45LB 45CA 45HA 45CB 45HB	6.1	6.6	5.2			10.2	P7		
	45R 45LR 45YR	6.1	16.6	5.2	10.4					
	55C 55LC 55A 55LA 55B 55LB 55CA 55HA 55CB 55HB	5.6	7.7	5.2	10.2	P7			0.4	9.1
	55R 55LR 55YR	5.6	17.7	5.2			10.4			

Model No.		Pilot hole for side nipple			Applicable nipple	Greasing hole on the top face				
		$e_0$	$f_0$	$D_0$		$D_2$	(O-ring)	V	$e_1$	$d_2$
HSR	65XC	6.8	14.6	5.2	M6F	10.2	P7	5.9	9.5	1
	65XLC							5.9		
	65XR	6.8	14.6	5.2				5.9		
	65XLR							65XYR		

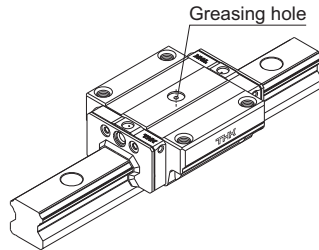
\*Upper surface lubrication is for oil lubrication only. Contact THK if you are considering using the greasing hole on the top face for grease lubrication.

### [Semi-standard Greasing Hole for Model HSR]

For model HSR, a semi-standard greasing hole is available. Specify the appropriate model number according to the application.



Type with a Greasing Hole Drilled on the Side Surface

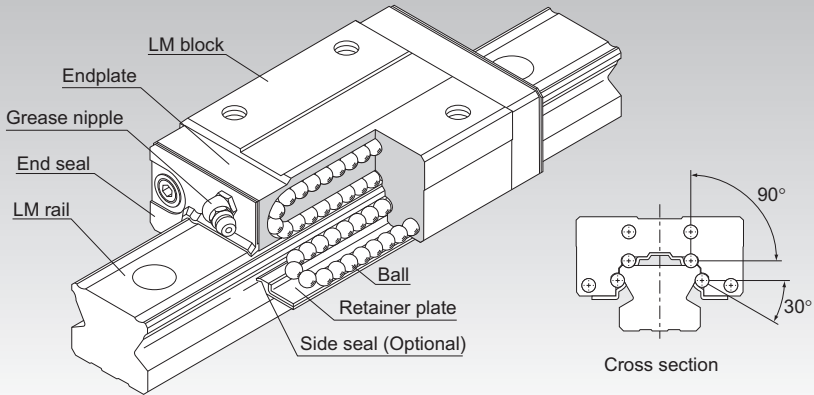


Type with a Greasing Hole Drilled on the Top Face



# SR

## LM Guide Radial Type Model SR



<b>Point of Selection</b>	<b>A1-10</b>
<b>Point of Design</b>	<b>A1-454</b>
<b>Options</b>	<b>A1-477</b>
<b>Model No.</b>	<b>A1-543</b>
<b>Precautions on Use</b>	<b>A1-549</b>
<b>Accessories for Lubrication</b>	<b>A24-1</b>
<b>Mounting Procedure and Maintenance</b>	<b>B1-89</b>
Equivalent moment factor	<b>A1-43</b>
Rated Loads in All Directions	<b>A1-59</b>
Equivalent factor in each direction	<b>A1-61</b>
Radial Clearance	<b>A1-72</b>
Accuracy Standards	<b>A1-77</b>
Shoulder Height of the Mounting Base and the Corner Radius	<b>A1-463</b>
Permissible Error of the Mounting Surface	<b>A1-470</b>
Dimensions of Each Model with an Option Attached	<b>A1-491</b>

---

## Structure and Features

---

Balls roll in four rows of raceways precision-ground on an LM rail and an LM block, and endplates incorporated in the LM block allow the balls to circulate. Since a retainer plate holds the balls, they will not fall off even if the LM block is removed from the LM rail. With the low sectional height and the high rigidity design of the LM block, this model achieves highly accurate and stable straight motion.

### [Compact, Heavy Load]

Since it is a compact designed model that has a low sectional height and a ball contact structure rigid in the radial direction, this model is optimal for horizontal guide units.

### [Mounting accuracy can easily be achieved]

Since this model is a self-adjusting type capable of easily absorbing an accuracy error in parallelism and level between two rails, highly accurate and smooth motion can be achieved.

### [Low Noise]

The endplate installed at each end of the LM block is designed to ensure the smooth and low-noise circulation of the balls at the turning areas.

### [High Durability]

Even under a preload or excessive biased load, differential slip of balls is minimal. As a result, high wear resistance and long-term maintenance of accuracy are achieved.

### [Stainless Steel Type also Available]

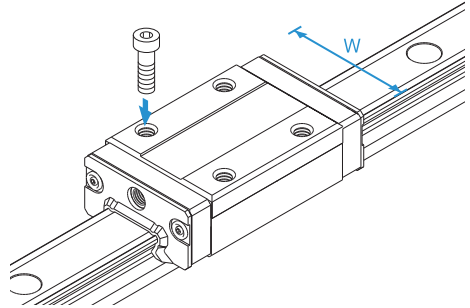
A special type which LM block, LM rail and balls are made of stainless steel is also available.

## Types and Features

### Model SR-W

With this type, the LM block has a smaller width (W) and tapped holes.

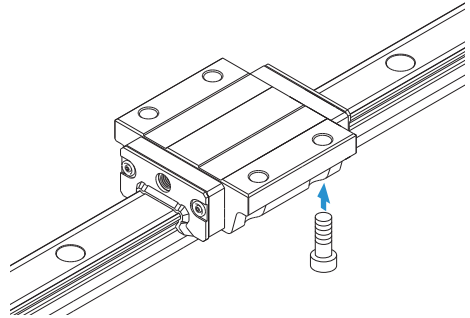
Specification Table⇒ **A1-216**



### Model SR-TB

The LM block has the same height as model SR-W and can be mounted from the bottom.

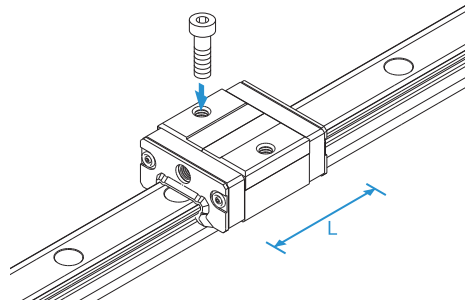
Specification Table⇒ **A1-218**



### Model SR-V

A space-saving type whose LM block has the same cross-sectional shape as model SR-W, but has a smaller overall LM block length (L).

Specification Table⇒ **A1-216**

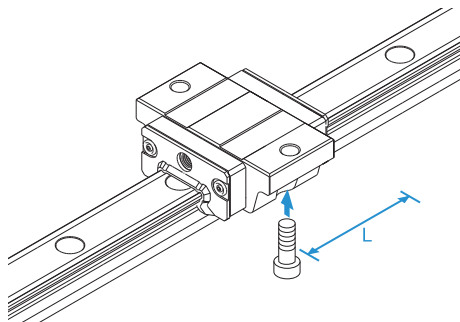




## Model SR-SB

A space-saving type whose LM block has the same cross-sectional shape as model SR-TB, but has a smaller overall LM block length (L).

Specification Table⇒ **A1-218**



LM Guide

## Characteristics of Model SR

When compared to models having a contact angle of  $45^\circ$ , model SR shows excellent characteristics as indicated below. Using these characteristics, you can design and manufacture highly accurate and highly rigid machines or equipment.

### Difference in Rated Load and Service Life

Since SR has a contact angle of  $90^\circ$ , its rated load and service life are different from those with a contact angle of  $45^\circ$ . When comparing model SR with a model that has a contact angle of  $45^\circ$  and when the same radial load is applied to the two models with the same ball diameter as shown in the figure below, the load applied to SR is 70% of the other model. As a result, the service life of SR is more than twice that of the other model.

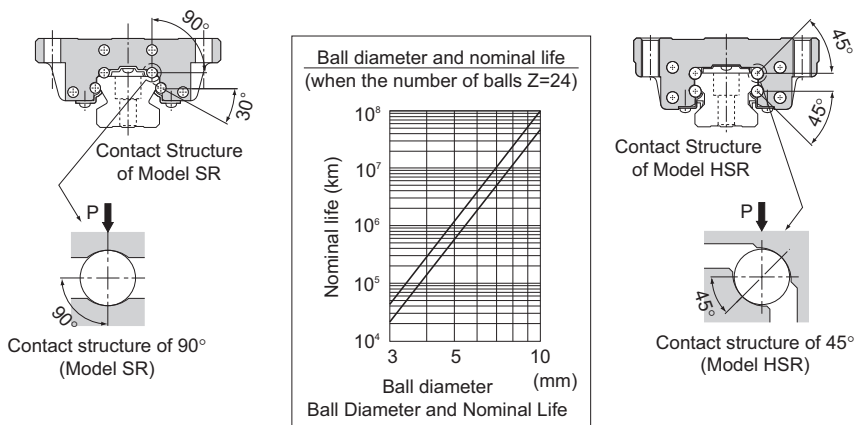


Fig.1

### Difference in Accuracy

If a machining error (grinding error) occurs in the LM rail or LM block, it will affect the running accuracy. Assuming that there is a machining error of  $\Delta$  on the raceway, it results in an error in the radial direction, and the error with the contact angle of  $45^\circ$  (model HSR) is 1.4 times greater than that of the contact angle of  $90^\circ$  (model SR). As for the machining error resulting in horizontal direction error, the error with the contact angle of  $45^\circ$  is 1.22 times greater than the contact angle of  $30^\circ$ .

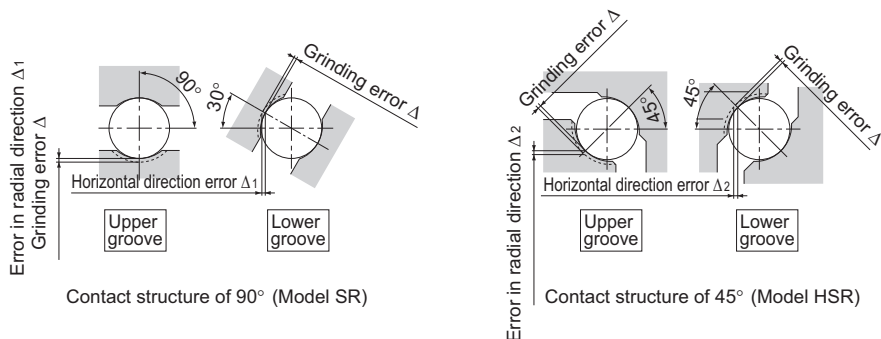


Fig.2 Machining Error and Accuracy

### Difference in Rigidity

The 90° contact angle adopted by model SR has a difference with the 45° contact angle also in rigidity. When the same radial load "P" is applied, the displacement in the radial direction with model SR is only 56% of that with the contact angle of 45°. Accordingly, where high rigidity in the radial direction is required, model SR is more advantageous. The figure below shows the difference in radial load and displacement.

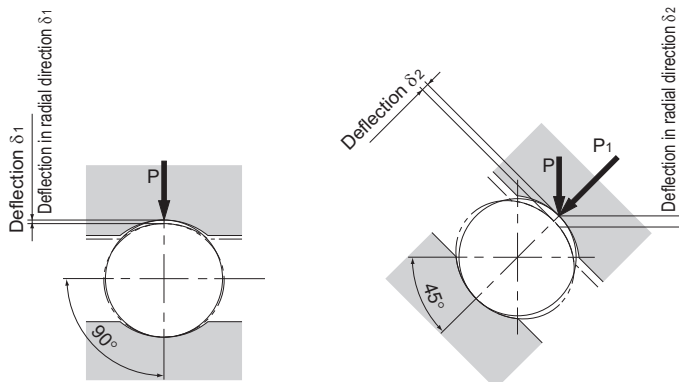


Fig.3 Deflection under a Radial Load

Load and deflection when contact angles are not the same ( $D_a=6.35\text{mm}$ )  
(deflection per ball)

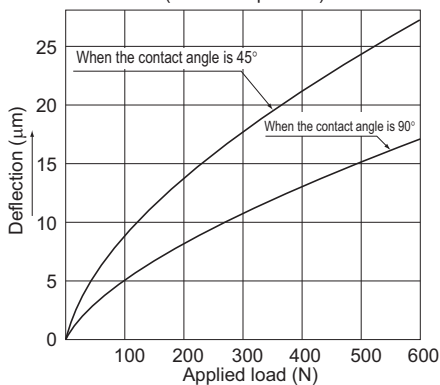


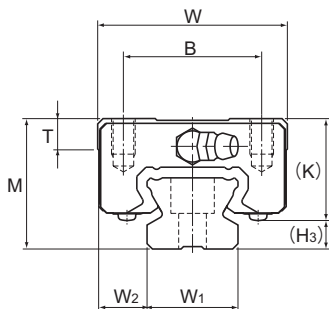
Fig.4 Radial Load and Deflection

### Conclusion

Model SR with this type of 90° contact construction are ideal for locations where the load applied is mostly radial, locations where radial rigidity is required, and locations where accurate motion is demanded in the up, down, left and right directions.

However, if the reverse radial load, the lateral load or the moment is large, we recommend model HSR, which has a contact angle of 45° (4-way equal load).

## Models SR-W, SR-WM, SR-V and SR-VM



Model No.	Outer dimensions			LM block dimensions									Grease nipple	H <sub>3</sub>
	Height	Width	Length	B	C	S×ℓ	L <sub>1</sub>	T	K	N	E			
	M	W	L											
SR 15V/VM SR 15W/WM	24	34	40.4 57	26	— 26	M4×7	22.9 39.5	5.7	18.2	6	5.5	PB1021B	5.8	
SR 20V/VM SR 20W/WM	28	42	47.3 66.2	32	— 32	M5×8	27.8 46.7	7.2	22	6	12	B-M6F	6	
SR 25V/VM SR 25W/WM	33	48	59.2 83	35	— 35	M6×9	35.2 59	7.7	26	7	12	B-M6F	7	
SR 30V/VM SR 30W/WM	42	60	67.9 96.8	40	— 40	M8×12	40.4 69.3	8.5	32.5	8	12	B-M6F	9.5	
SR 35V/VM SR 35W/WM	48	70	77.6 111	50	— 50	M8×12	45.7 79	12.5	36.5	8.5	12	B-M6F	11.5	
SR 45W	60	86	126	60	60	M10×15	90.5	15	47.5	11.5	16	B-PT1/8	12.5	
SR 55W	68	100	156	75	75	M12×20	117	16.7	54.5	12	16	B-PT1/8	13.5	
SR 70T	85	126	194.6	90	90	M16×25	147.6	24.5	70	12	16	B-PT1/8	15	
SR 85T	110	156	180	100	80	M18×30	130	25.5	91.5	27	12	A-PT1/8	18.5	
SR 100T	120	178	200	120	100	M20×35	150	29.5	101	32	12	A-PT1/8	19	
SR 120T	110	205	235	160	120	M20×35	180	24	95	14	13.5	B-PT1/4	15	
SR 150T	135	250	280	200	160	M20×35	215	24	113	17	13.5	B-PT1/4	22	

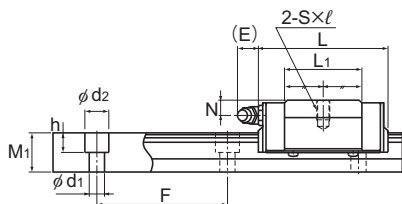
### Model number coding

**SR25 W 2 UU C0 M +1240L Y P T M - II**

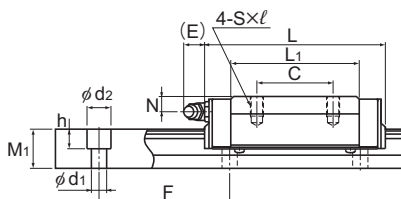
Model number	Type of LM block	Contamination protection accessory symbol (*1)	Stainless steel LM block	LM rail length (in mm)	Applied to only 15 and 25	Stainless steel LM rail	Symbol for No. of rails used on the same plane (*4)
	No. of LM blocks used on the same rail	Radial clearance symbol (*2) Normal (No symbol) Light preload (C1) Medium preload (C0)				Symbol for LM rail jointed use	
					Accuracy symbol (*3) Normal grade (No Symbol)/High accuracy grade (H) Precision grade (P)/Super precision grade (SP) Ultra precision grade (UP)		

(\*1) See contamination protection accessory on **A1-516**. (\*2) See **A1-72**. (\*3) See **A1-77**. (\*4) See **A1-13**.

Note) This model number indicates that a single-rail unit constitutes one set. (i.e., required number of sets when 2 rails are used in parallel is 2 at a minimum.)



Model SR-V



Model SR-W

Unit: mm

	LM rail dimensions						Basic load rating			Static permissible moment kN·m*					Mass	
	Width W <sub>1</sub> ±0.05	Height M <sub>1</sub>	Pitch F	Pitch F	Length* d <sub>1</sub> × d <sub>2</sub> × h Max	C kN	C <sub>0</sub> kN	M <sub>A</sub>		M <sub>B</sub>		M <sub>C</sub>	LM block kg	LM rail kg/m		
								1 block	Double blocks	1 block	Double blocks	1 block				
15	9.5	12.5	60	60	3.5×6×4.5 (1240) 3000	9.1 13.8	11.7 20.5	0.0344 0.0984	0.234 0.551	0.0215 0.0604	0.149 0.343	0.0694 0.122	0.12 0.2	1.2		
20	11	15.5	60	60	6×9.5×8.5 (1480) 3000	13.4 19.2	17.2 28.6	0.064 0.167	0.396 0.887	0.0397 0.102	0.25 0.55	0.135 0.224	0.2 0.3	2.1		
23	12.5	18	60	60	7×11×9 (2020) 3000	21.6 30.9	26.8 44.7	0.125 0.326	0.773 1.74	0.0774 0.2	0.488 1.08	0.245 0.408	0.3 0.4	2.7		
28	16	23	80	80	7×11×9 (2520) 3000	29.5 45.6	34.4 64.4	0.173 0.564	1.15 2.92	0.108 0.346	0.735 1.8	0.376 0.703	0.5 0.8	4.3		
34	18	27.5	80	80	9×14×12 (2520) 3000	40.9 60.4	46.7 81.8	0.275 0.785	1.79 4.27	0.171 0.482	1.14 2.65	0.615 1.08	0.8 1.2	6.4		
45	20.5	35.5	105	105	11×17.5×14 3000	80.4	107	1.17	6.34	0.721	3.94	1.89	2.2	11.3		
48	26	38	120	120	14×20×17 3000	136	179	2.61	13	1.6	8.05	3.33	3.6	12.8		
70	28	47	150	150	18×26×22 3000	226	282	5.03	25.7	3.09	15.9	7.47	7	22.8		
85	35.5	65.5	180	180	18×26×22 3000	120	224	2.54	15.1	1.25	7.47	5.74	10.1	34.9		
100	39	70.3	210	210	22×32×25 3000	148	283	3.95	20.9	1.95	10.3	8.55	14.1	46.4		
114	45.5	65	230	230	26×39×30 3000	279	377	5.83	32.9	2.87	16.2	13.7	—	—		
144	53	77	250	250	33×48×36 3000	411	537	9.98	55.8	4.92	27.5	24.3	—	—		

Note1) The maximum length under "Length\*" indicates the standard maximum length of an LM rail. (See [A1-220](#).)  
Static permissible moment\* 1 block: the static permissible moment with one LM block

Double blocks: static permissible moment when two LM blocks are in close contact with each other  
Total block length L : The total block length L shown in the table is the length with the dust proof parts, code UU or SS.  
If other contamination protection accessories or lubricant equipment are installed, the total block length will increase.  
(See [A1-491](#) or [A1-512](#))

The M in the model number symbol indicates that the LM block, LM rail and balls are made of stainless steel.  
The stainless steel provides excellent corrosion and environmental resistance.  
Models SR85T, 100T, 120T and 150T are built to order.

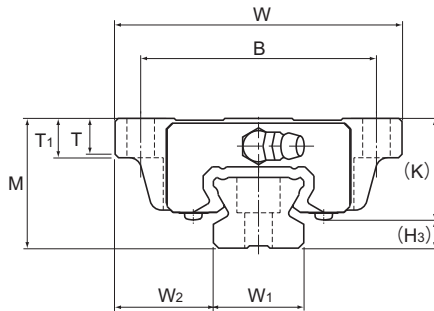
Note2) Models SR85T and 100T include a grease nipple on the side face of the LM block. Contact THK for details.  
Note2) For models SR15 and 25, two types of rails with different mounting hole dimensions are offered (see Table1).  
When, replacing this model with model SSR, pay attention to the mounting hole dimension of the LM rail.  
Contact THK for details.

Note3) The basic load rating in the dimension table is for a load in the radial direction. Use Table7 on [A1-59](#) to calculate the load rating for loads in the reverse radial direction or lateral direction.

Table1 The dimension of the rail mounting hole

Model No.	Standard rail	Semi-Standard rail
SR 15	For M3 (No symbol)	For M4 (Symbol Y)
SR 25	For M6 (Symbol Y)	For M5 (No symbol)

## Models SR-TB, SR-TBM, SR-SB and SR-SBM



Model No.	Outer dimensions			LM block dimensions										Grease nipple	H <sub>3</sub>
	Height	Width	Length	B	C	H	L <sub>1</sub>	T	T <sub>1</sub>	K	N	E			
	M	W	L												
SR 15SB/SBM SR 15TB/TBM	24	52	40.4 57	41	—	4.5	22.9 39.5	6.1	7	18.2	6	5.5	PB1021B	5.8	
SR 20SB/SBM SR 20TB/TBM	28	59	47.3 66.2	49	—	5.5	27.8 46.7	8	9	22	6	12	B-M6F	6	
SR 25SB/SBM SR 25TB/TBM	33	73	59.2 83	60	—	7	35.2 59	9.1	10	26	7	12	B-M6F	7	
SR 30SB/SBM SR 30TB/TBM	42	90	67.9 96.8	72	—	9	40.4 69.3	8.7	10	32.5	8	12	B-M6F	9.5	
SR 35SB/SBM SR 35TB/TBM	48	100	77.6 111	82	—	9	45.7 79	11.2	13	36.5	8.5	12	B-M6F	11.5	
SR 45TB	60	120	126	100	60	11	90.5	12.8	15	47.5	11.5	16	B-PT1/8	12.5	
SR 55TB	68	140	156	116	75	14	117	15.3	17	54.5	12	16	B-PT1/8	13.5	

### Model number coding

**SR25 TB 2 UU C1 +1200L Y H T -II**

Model number

Type of LM block

Contamination protection accessory symbol (\*1)

LM rail length (in mm)

Applied to only 15 and 25

Symbol for LM rail jointed use

Symbol for No. of rails used on the same plane (\*4)

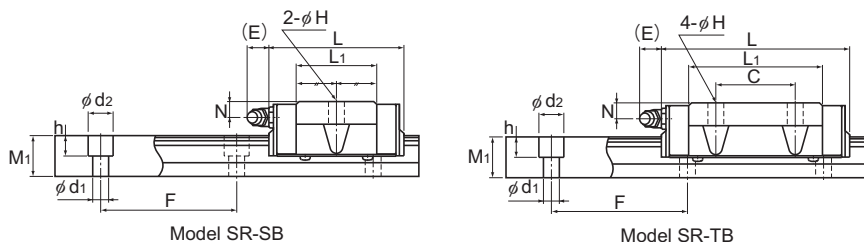
No. of LM blocks used on the same rail

Radial clearance symbol (\*2)  
Normal (No symbol)  
Light preload (C1)  
Medium preload (C0)

Accuracy symbol (\*3)  
Normal grade (No Symbol)/High accuracy grade (H)  
Precision grade (P)/Super precision grade (SP)  
Ultra precision grade (UP)

(\*1) See contamination protection accessory on **A1-516**. (\*2) See **A1-72**. (\*3) See **A1-77**. (\*4) See **A1-13**.

Note) This model number indicates that a single-rail unit constitutes one set. (i.e., required number of sets when 2 rails are used in parallel is 2 at a minimum.)



Unit: mm

LM rail dimensions						Basic load rating		Static permissible moment $\text{kN}\cdot\text{m}^*$					Mass	
Width $W_1$ $\pm 0.05$	Height $M_1$	Pitch $F$	Length* $d_1 \times d_2 \times h$ Max	C kN	$C_0$ kN	$M_A$		$M_B$		$M_C$	LM block kg	LM rail kg/m		
						1 block	Double blocks	1 block	Double blocks	1 block				
15	18.5	12.5	60	3.5×6×4.5 (1240) 3000	9.1	11.7	0.0344	0.234	0.0215	0.149	0.0694	0.15 0.2	1.2	
					13.8	20.5	0.0984	0.551	0.0604	0.343	0.122			
20	19.5	15.5	60	6×9.5×8.5 (1480) 3000	13.4	17.2	0.064	0.396	0.0397	0.25	0.135	0.3 0.4	2.1	
					19.2	28.6	0.167	0.887	0.102	0.55	0.224			
23	25	18	60	7×11×9 (2020) 3000	21.6	26.8	0.125	0.773	0.0774	0.488	0.245	0.4 0.6	2.7	
					30.9	44.7	0.326	1.74	0.2	1.08	0.408			
28	31	23	80	7×11×9 (2520) 3000	29.5	34.4	0.173	1.15	0.108	0.735	0.376	0.8 1.1	4.3	
					45.6	64.4	0.564	2.92	0.346	1.8	0.703			
34	33	27.5	80	9×14×12 (2520) 3000	40.9	46.7	0.275	1.79	0.171	1.14	0.615	1 1.5	6.4	
					60.4	81.8	0.785	4.27	0.482	2.65	1.08			
45	37.5	35.5	105	11×17.5×14 3000	80.4	107	1.17	6.34	0.721	3.94	1.89	2.5 11.3		
48	46	38	120	14×20×17 3000	136	179	2.61	13	1.6	8.05	3.33	4.2	12.8	

Note1) The maximum length under "Length\*" indicates the standard maximum length of an LM rail. (See **A1-220**.)

Static permissible moment\* 1 block: the static permissible moment with one LM block

Double blocks: static permissible moment when two LM blocks are in close contact with each other

Total block length L

: The total block length L shown in the table is the length with the dust proof parts, code UU or SS. If other contamination protection accessories or lubricant equipment are installed, the total block length will increase.

(See **A1-491** or **A1-512**)

The M in the model number symbol indicates that the LM block, LM rail and balls are made of stainless steel.

The stainless steel provides excellent corrosion and environmental resistance.

Note2) For models SR15 and 25, two types of rails with different mounting hole dimensions are offered (see Table1).

When, replacing this model with model SSR, pay attention to the mounting hole dimension of the LM rail.

Contact THK for details.

Note3) The basic load rating in the dimension table is for a load in the radial direction. Use Table7 on **A1-59** to calculate the load rating for loads in the reverse radial direction or lateral direction.

Table1 The dimension of the rail mounting hole

Model No.	Standard rail	Semi-Standard rail
SR 15	For M3 (No symbol)	For M4 (Symbol Y)
SR 25	For M6 (Symbol Y)	For M5 (No symbol)

## Standard Length and Maximum Length of the LM Rail

Table1 shows the standard lengths and the maximum lengths of model SR variations. If the maximum length of the desired LM rail exceeds them, jointed rails will be used. Contact THK for details. For special rail lengths, it is recommended to use a value corresponding to the G,g dimension from the table. As the G,g dimension increases, this portion becomes less stable, and the accuracy performance is severely impacted.

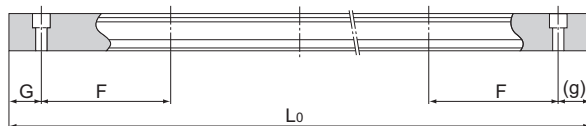


Table1 Standard Length and Maximum Length of the LM Rail for Model SR

Unit: mm

Model No.	SR 15	SR 20	SR 25	SR 30	SR 35	SR 45	SR 55	SR 70	SR 85	SR 100	SR 120	SR 150
LM rail standard length ( $L_0$ )	160	220	220	280	280	570	780	1270	1520	1550	1700	1600
	220	280	280	360	360	675	900	1570	2060	1970	2390	2100
	280	340	340	440	440	780	1020	2020	2600	2600		
	340	400	400	520	520	885	1140	2620				
	400	460	460	600	600	990	1260					
	460	520	520	680	680	1095	1380					
	520	580	580	760	760	1200	1500					
	580	640	640	840	840	1305	1740					
	640	700	700	920	920	1410	1860					
	700	760	760	1000	1000	1515	1980					
	760	820	820	1080	1080	1725	2100					
	820	940	940	1160	1160	1830	2220					
	940	1000	1000	1240	1240	1935	2340					
	1000	1060	1060	1320	1320	2040	2460					
	1060	1120	1120	1400	1400	2145	2580					
	1120	1180	1180	1480	1480	2250	2700					
	1180	1240	1240	1640	1640	2355	2820					
	1240	1300	1300	1720	1720	2460	2940					
	1300	1360	1360	1800	1800	2565						
	1360	1420	1420	1880	1880	2670						
	1420	1480	1480	1960	1960	2775						
	1480	1540	1540	2040	2040	2880						
	1540	1600	1600	2120	2120	2985						
		1660	1660	2200	2200							
		1720	1720	2280	2280							
		1780	1780	2360	2360							
		1840	1840	2440	2440							
	1900	1900	2520	2520								
	1960	1960	2600	2600								
	2020	2020	2680	2680								
	2080	2080	2760	2760								
	2140	2140	2840	2840								
		2200	2920	2920								
		2260										
		2320										
		2380										
		2440										
Standard pitch F	60	60	60	80	80	105	120	150	180	210	230	250
G,g	20	20	20	20	20	22.5	30	35	40	40	45	50
Max length	3000 (1240)	3000 (1480)	3000 (2020)	3000 (2520)	3000 (2520)	3000	3000	3000	3000	3000	3000	3000

Note1) The maximum length varies with accuracy grades. Contact THK for details.

Note2) If jointed rails are not allowed and a greater length than the maximum values above is required, contact THK.

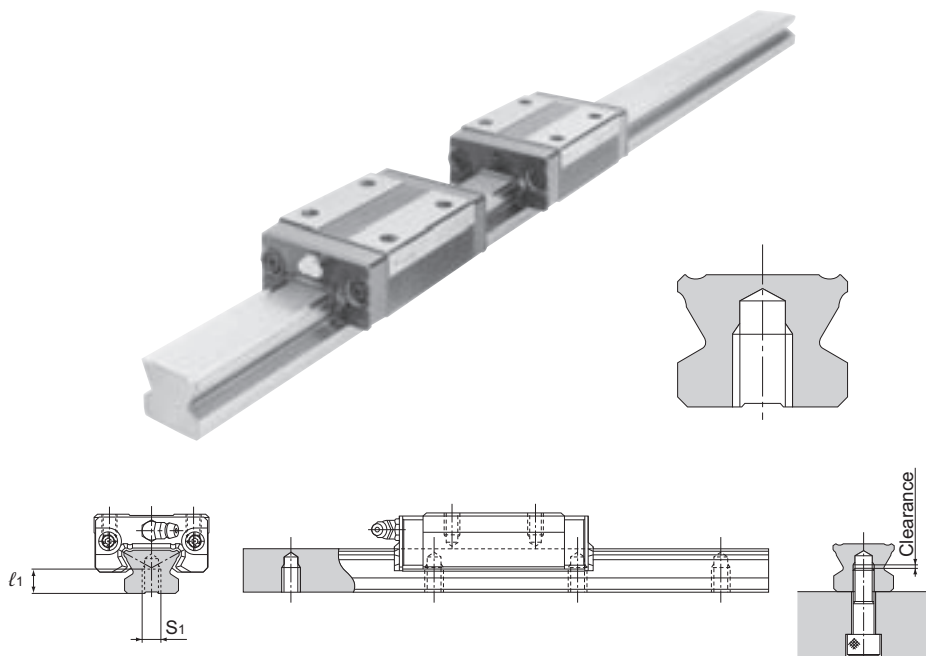
Note3) Those model numbers including and greater than SR85T are semi-standard models. If desiring these models, contact THK.

Note4) The figures in the parentheses indicate the maximum lengths of stainless steel made models.



## Tapped-hole LM Rail Type of Model SR

SR model rails also include a type where the LM rail is tapped from the bottom. This type is useful when mounting from the bottom of the base and when increased contamination protection is desired.



- (1) A tapped-hole LM rail type is available only for high accuracy or lower grades.
- (2) Determine the bolt length so that a clearance of 2 to 5 mm is secured between the bolt end and the bottom of the tap (effective tap depth). (See figure above.)
- (3) For standard pitches of the taps, see Table1 on **A1-220**.

Table2 Dimensions of the LM Rail Tap Unit: mm

Model No.	$S_1$	Effective tap depth $l_1$
SR 15	M5	7
SR 20	M6	9
SR 25	M6	10
SR 30	M8	14
SR 35	M8	16
SR 45	M12	20
SR 55	M14	22

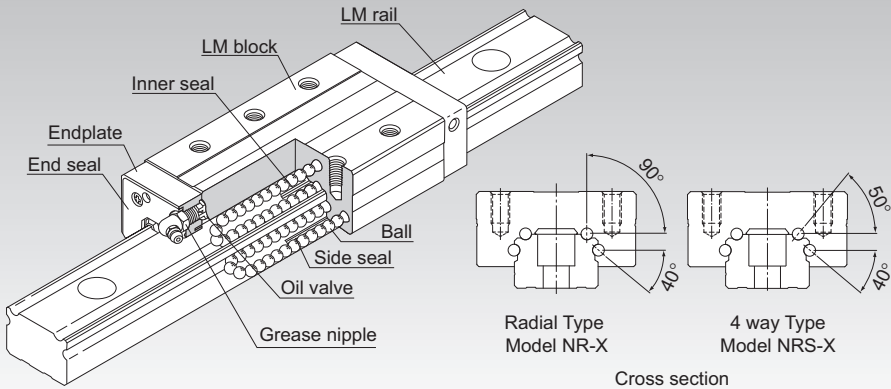
### Model number coding

**SR30 W2UU +1000LH K**

Symbol for  
tapped-hole LM rail type

# NR/NRS-X

LM Guide Ultra-heavy Load Type for Machine Tools Model NR/NRS-X



**Point of Selection** **A1-10**

**Point of Design** **A1-454**

**Options** **A1-477**

**Model No.** **A1-543**

**Precautions on Use** **A1-549**

**Accessories for Lubrication** **A24-1**

**Mounting Procedure and Maintenance** **B1-89**

Equivalent moment factor **A1-43**

Rated Loads in All Directions **A1-59**

Equivalent factor in each direction **A1-61**

Radial Clearance **A1-71**

Accuracy Standards **A1-77**

Shoulder Height of the Mounting Base and the Corner Radius **A1-464**

Permissible Error of the Mounting Surface **A1-470**

Dimensions of Each Model with an Option Attached **A1-491**

## Structure and Features

Balls roll in four rows of raceways precision-ground on an LM rail and an LM block, and endplates incorporated in the LM block allow the balls to circulate. The raceways are cut into deep grooves that have a radius closer to that of the balls than in the conventional design, using special equipment and an extremely precise cutting technique. This design allows high rigidity, high vibration/impact resistance and high damping capacity, all of which are required for machine tools, thus making these models capable of bearing ultra-heavy loads.

\* Due to the extremely high rigidity of the LM guides used in models NR/NRS-X, the construction does not easily absorb the effects of mounting surface misalignment and installation errors. Where such effects arise, there is a risk of reduced operating life and/or malfunction. Contact THK when considering the use of these products.

### [Improved Damping Capacity]

While the machine tool (equipped with NR or NRS) is not cutting a workpiece during operation, the LM Guide travels normally and smoothly. While the machine tool is cutting the workpiece, the cutting force is applied to the LM Guide to increase and the contact area between the balls and the raceway, allowing an appropriate mixture of rolling and sliding motions to be achieved. Accordingly, the friction resistance is increased and the damping capacity is improved.

Since the absolute slip during the rolling and sliding motion is insignificant, it causes little wear and does not affect the service life.

### [Highly Rational LM Guide]

The excessively large differential slip occurring in a Gothic-arch groove does not happen with these models. They smoothly travel and achieve high positioning accuracy during fast feeding. During the cutting operation, appropriate slip occurs according to the cutting load, the rolling resistance is increased and the damping capacity is increased. Thus, models NR and NRS are highly rational LM Guides.

### [High Rigidity]

To increase the rigidity of the LM block and the LM rail, which may deteriorate the overall rigidity of the LM Guide in the reverse radial and lateral directions, THK made full use of FEM to achieve optimal design within the limited dimensional range.

THK offers two identically sized models with different characteristics, namely the Radial Type Model NR-X and 4 way Type Model NRS-X. Users can select the model that best suits their specifications.

### [Ultra-heavy Load]

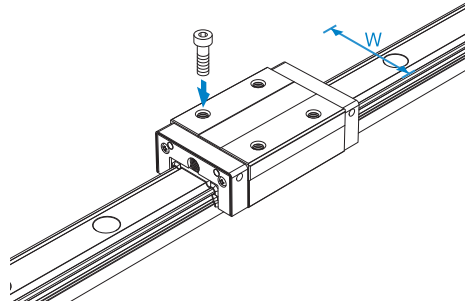
Since the curvature of the raceway is approximated to the ball diameter, the ball contact area under a load is increased and the LM Guide is capable of receiving an ultra-heavy load.

## Types and Features

### Models NR-RX/NRS-RX

With this type, the LM block has a smaller width (W) and tapped holes. Used in places where the space for table width is limited.

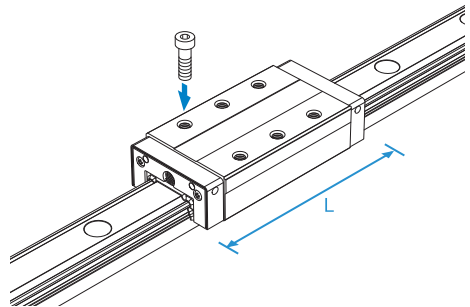
Specification Table → [A1-228](#)/[A1-230](#)



### Models NR-LRX/NRS-LRX

The LM block has the same cross-sectional shape as models NR-RX/NRS-RX, but has a longer overall LM block length (L) and a greater rated load.

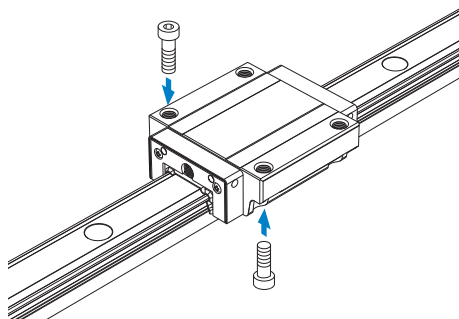
Specification Table → [A1-228](#)/[A1-230](#)



## Models NR-CX/NRS-CX

The flange of the LM block has tapped holes.  
Can be mounted from the top or the bottom.  
Can also be used in places where the table  
cannot have through holes for mounting bolts.

Specification Table → [A1-232](#)/[A1-234](#)

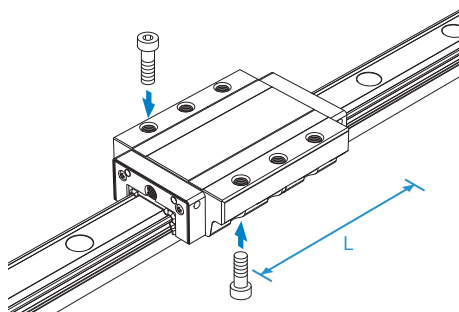


LM Guide

## Models NR-LCX/NRS-LCX

The LM block has the same cross-sectional  
shape as models NR-CX/NRS-CX, but has a  
longer overall LM block length (L) and a greater  
rated load.

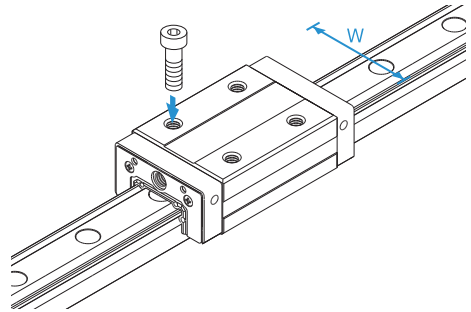
Specification Table → [A1-232](#)/[A1-234](#)



## Models NR-R/NRS-R

With this type, the LM block has a smaller width (W) and tapped holes. Used in places where the space for table width is limited.

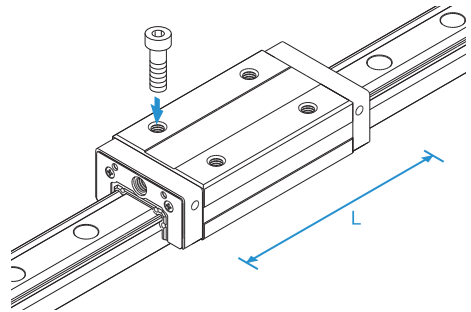
Specification Table⇒ [A1-228/A1-230](#)



## Models NR-LR/NRS-LR

The LM block has the same cross-sectional shape as models NR-R/NRS-R, but has a longer overall LM block length (L) and a greater rated load.

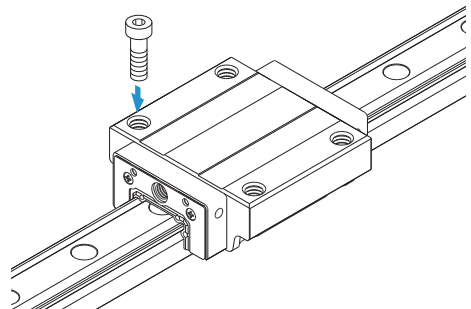
Specification Table⇒ [A1-228/A1-230](#)



## Models NR-A/NRS-A

The flange of its LM block has tapped holes.

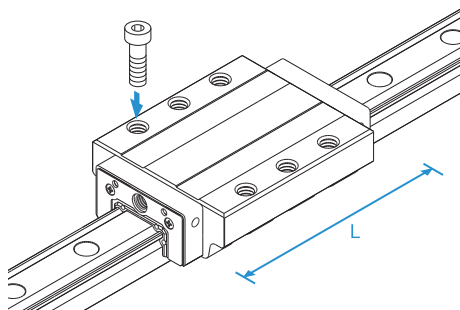
Specification Table⇒ [A1-236](#)



## Models NR-LA/NRS-LA

The LM block has the same cross-sectional shape as models NR-A/NRS-A, but has a longer overall LM block length (L) and a greater rated load.

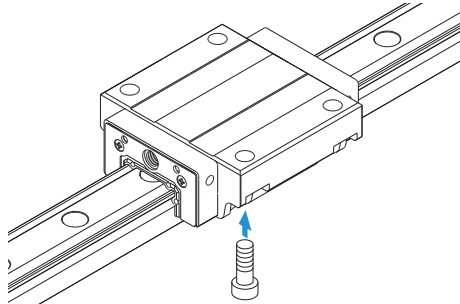
Specification Table⇒ **A1-236**



## Models NR-B/NRS-B

The flange of the LM block has through holes. Used in places where the table cannot have through holes for mounting bolts.

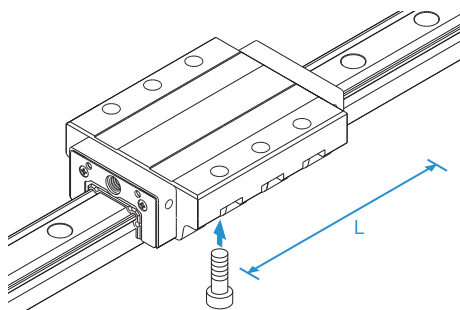
Specification Table⇒ **A1-238**



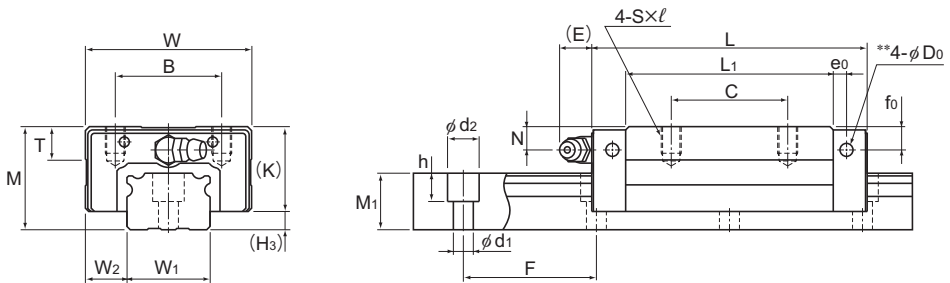
## Models NR-LB/NRS-LB

The LM block has the same cross-sectional shape as models NR-B/NRS-B, but has a longer overall LM block length (L) and a greater rated load.

Specification Table⇒ **A1-238**



# Models NR-RX, NR-LRX, NR-R and NR-LR



Model NR-RX

Model No.	Outer dimensions			LM block dimensions													Grease nipple	H <sub>3</sub>
	Height	Width	Length	B	C	S×ℓ	L <sub>1</sub>	T	K	N	f <sub>0</sub>	E	e <sub>0</sub>	D <sub>0</sub>				
	M	W	L	B	C	S×ℓ	L <sub>1</sub>	T	K	N	f <sub>0</sub>	E	e <sub>0</sub>	D <sub>0</sub>				
NR 25RX NR 25LRX	31	50	82.8 102	32	35 50	M6×8	61.4 80.6	9.7	25.5	7.8	5.1	12	4.5	3.9	B-M6F	5.5		
NR 30RX NR 30LRX	38	60	98 120.5	40	40 60	M8×10	72.1 94.6	9.7	31	10.3	7	12	6.5	3.9	B-M6F	7		
NR 35RX NR 35LRX	44	70	109.5 135	50	50 72	M8×12	79 104.5	11.7	35	12.1	8	12	6	5.2	B-M6F	9		
NR 45RX NR 45LRX	52	86	138.2 171	60	60 80	M10×17	105 137.8	14.7	40.4	13.9	8	16	8.5	5.2	B-PT1/8	11.6		
NR 55RX NR 55LRX	63	100	163.3 200.5	65	75 95	M12×18	123.6 160.8	17.7	49	16.6	10	16	10	5.2	B-PT1/8	14		
NR 65RX NR 65LRX	75	126	186 246	76	70 110	M16×20	143.6 203.6	21.6	60	19	15	16	8.7	8.2	B-PT1/8	15		
NR 75R NR 75LR	83	145	218 274	95	80 130	M18×25	170.2 226.2	25.3	68	18	17	16	9	8.2	B-PT1/8	15		
NR 85R NR 85LR	90	156	246.7 302.8	100	80 140	M18×25	194.9 251	27.3	73	20	20	16	10	8.2	B-PT1/8	17		
NR 100R NR 100LR	105	200	286.2 326.2	130	150 200	M18×27	223.4 263.4	34.3	85	23	23	10	12	8.2	B-PT1/4	20		

## Model number coding

**NR35 LRX 2 QZ KKHH C0 +1240L P T - II**

Model number

Type of LM block

With QZ Lubricator

Contamination protection accessory symbol (\*1)

LM rail length (in mm)

Symbol for LM rail jointed use

Symbol for No. of rails used on the same plane (\*4)

No. of LM blocks used on the same rail

Radial clearance symbol (\*2)

Normal (No symbol)  
Light preload (C1)  
Medium preload (C0)

Accuracy symbol (\*3)

Normal grade (No Symbol)/High accuracy grade (H)  
Precision grade (P)/Super precision grade (SP)  
Ultra precision grade (UP)

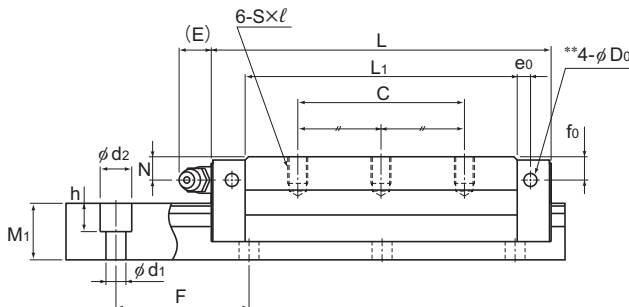
(\*1) See contamination protection accessory on **A1-516** (\*2) See **A1-71**. (\*3) See **A1-77**.

(\*4) See **A1-13**.

Note) This model number indicates that a single-rail unit constitutes one set. (i.e., required number of sets when 2 rails are used in parallel is 2 at a minimum.)

Those models equipped with QZ Lubricator cannot have a grease nipple. When desiring a grease nipple for a model attached with QZ, contact THK.





Model NR-LRX

Unit: mm

LM rail dimensions						Basic load rating		Static permissible moment $kN \cdot m^*$						Mass	
Width $W_1$ 0 -0.05	$W_2$	Height $M_1$	Pitch $F$	$d_1 \times d_2 \times h$	Length* Max	$C$ kN	$C_0$ kN	$M_A$		$M_B$		$M_C$	LM block kg	LM rail kg/m	
								1 block	Double blocks	1 block	Double blocks	1 block			
25	12.5	17	40	$6 \times 9.5 \times 8.5$	3000	37.1 45.4	68.1 90.8	0.57 0.989	3.04 4.91	0.346 0.597	1.84 2.95	0.703 0.937	0.4 0.5	2.9	
28	16	21	80	$7 \times 11 \times 9$	3000	54.7 66.9	98.1 130.8	1.71 2.46	5.17 8.34	0.599 1.03	3.13 5.02	1.15 1.53	0.7 0.9	4.2	
34	18	24.5	80	$9 \times 14 \times 12$	3000	72.4 89.6	124.6 169.1	1.37 2.46	7.38 12.1	0.835 1.49	4.48 7.3	1.74 2.36	1 1.3	6	
45	20.5	29	105	$14 \times 20 \times 17$	3090	110.2 132	197.6 255.8	2.81 4.87	14.7 23	1.72 2.94	8.95 13.8	3.72 4.81	1.8 2.3	9.5	
53	23.5	36.5	120	$16 \times 23 \times 20$	3060	141.9 175.1	250.2 338.4	4.22 7.27	21.8 35.9	2.56 4.4	13.2 21.7	5.37 7.27	3.3 4.3	14	
63	31.5	43	150	$18 \times 26 \times 22$	3000	208.7 268.9	351.7 505.5	6.87 13.8	35 65.4	4.16 8.31	21.2 39.3	8.94 12.9	6 8.5	19.6	
75	35	44	150	$22 \times 32 \times 26$	3000	271 355	610 800	14.4 25.4	73.3 118	8.91 15.4	44.7 71.4	19.3 25.2	8.7 11.6	24.6	
85	35.5	48	180	$24 \times 35 \times 28$	3000	336 435	751 972	20.3 34.7	102 160	12.4 21	62.6 96.2	26.8 34.6	12.3 15.8	30.5	
100	50	57	210	$26 \times 39 \times 32$	3000	479 599	1040 1300	34 47.3	167 238	20.7 29.2	101 146	43.4 54.6	21.8 26.1	42.6	

Note1) The maximum length under "Length\*" indicates the standard maximum length of an LM rail. (See [A1-240](#).)

Static permissible moment\* 1 block: the static permissible moment with one LM block

Double blocks: static permissible moment when two LM blocks are in close contact with each other

For oil lubrication, be certain to let THK know the mounting orientation and where the LM block piping joint should be attached.

(Mounting orientation: see [A1-12](#), Lubricant: see [A24-2](#))

Total block length L

: The total block length L shown in the table is the length with the dust proof parts, code UU or SS.

If other contamination protection accessories or lubricant equipment are installed, the total block length will increase.

(See [A1-491](#) or [A1-512](#))

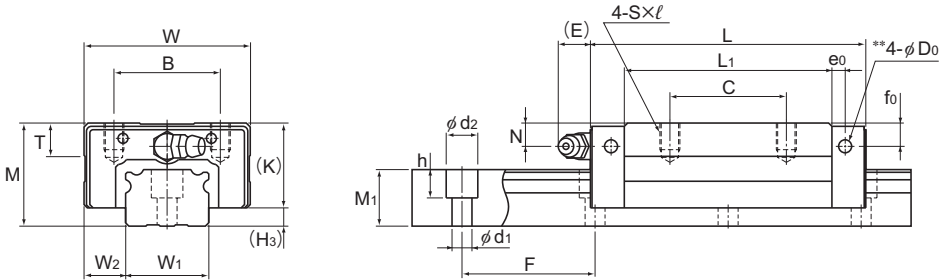
\*\* A pilot hole for side nipples, when a grease nipple for a model equipped with LaCS or QZ Lubricator is needed.

Pilot holes for side nipples are not drilled through for models other than those stated above.

For grease nipple mount machining, contact THK.

Note2) The basic load rating in the dimension table is for a load in the radial direction. Use Table7 on [A1-59](#) to calculate the load rating for loads in the reverse radial direction or lateral direction.

# Models NRS-RX, NRS-LRX, NRS-R and NRS-LR



Model NRS-RX

Model No.	Outer dimensions			LM block dimensions													Grease nipple	H <sub>3</sub>
	Height	Width	Length	B	C	S × l	L <sub>1</sub>	T	K	N	f <sub>0</sub>	E	e <sub>0</sub>	D <sub>0</sub>				
	M	W	L															
NRS 25RX NRS 25LRX	31	50	82.8 102	32	35 50	M6 × 8	61.4 80.6	9.7	25.5	7.8	5.1	12	4.5	3.9	B-M6F	5.5		
NRS 30RX NRS 30LRX	38	60	98 120.5	40	40 60	M8 × 10	72.1 94.6	9.7	31	10.3	7	12	6.5	3.9	B-M6F	7		
NRS 35RX NRS 35LRX	44	70	109.5 135	50	50 72	M8 × 12	79 104.5	11.7	35	12.1	8	12	6	5.2	B-M6F	9		
NRS 45RX NRS 45LRX	52	86	138.2 171	60	60 80	M10 × 17	105 137.8	14.7	40.4	13.9	8	16	8.5	5.2	B-PT1/8	11.6		
NRS 55RX NRS 55LRX	63	100	163.3 200.5	65	75 95	M12 × 18	123.6 160.8	17.7	49	16.6	10	16	10	5.2	B-PT1/8	14		
NRS 65RX NRS 65LRX	75	126	186 246	76	70 110	M16 × 20	143.6 203.6	21.6	60	19	15	16	8.7	8.2	B-PT1/8	15		
NRS 75R NRS 75LR	83	145	218 274	95	80 130	M18 × 25	170.2 226.2	25.3	68	18	17	16	9	8.2	B-PT1/8	15		
NRS 85R NRS 85LR	90	156	246.7 302.8	100	80 140	M18 × 25	194.9 251	27.3	73	20	20	16	10	8.2	B-PT1/8	17		
NRS 100R NRS 100LR	105	200	286.2 326.2	130	150 200	M18 × 27	223.4 263.4	34.3	85	23	23	10	12	8.2	B-PT1/4	20		

## Model number coding

**NRS45 LRX 2 QZ ZZHH C0 +1200L P T - II**

Model number

Type of LM block

With QZ Lubricator

Contamination protection accessory symbol (\*1)

LM rail length (in mm)

Symbol for LM rail jointed use

Symbol for No. of rails used on the same plane (\*4)

No. of LM blocks used on the same rail

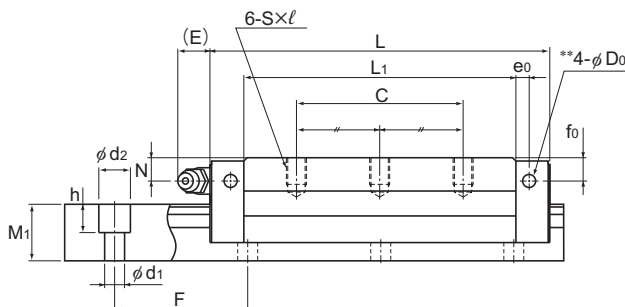
Radial clearance symbol (\*2)  
Normal (No symbol)/Light preload (C1)  
Medium preload (C0)

Accuracy symbol (\*3)  
Normal grade (No Symbol)/High accuracy grade (H)  
Precision grade (P)/Super precision grade (SP)  
Ultra precision grade (UP)

(\*1) See contamination protection accessory on **A1-516** (\*2) See **A1-71**. (\*3) See **A1-77**. (\*4) See **A1-13**.

Note) This model number indicates that a single-rail unit constitutes one set. (i.e., required number of sets when 2 rails are used in parallel is 2 at a minimum.)

Those models equipped with QZ Lubricator cannot have a grease nipple. When desiring a grease nipple for a model attached with QZ, contact THK.



Model NRS-LRX

Unit: mm

LM rail dimensions						Basic load rating		Static permissible moment kN·m*						Mass	
Width W <sub>1</sub> 0 -0.05	W <sub>2</sub>	Height M <sub>1</sub>	Pitch F	d <sub>1</sub> × d <sub>2</sub> × h	Length* Max	C kN	C <sub>0</sub> kN	M <sub>A</sub>		M <sub>B</sub>		M <sub>C</sub>	LM block kg	LM rail kg/m	
								1 block	Double blocks	1 block	Double blocks	1 block			
25	12.5	17	40	6 × 9.5 × 8.5	3000	28.4 34.7	52.2 69.6	0.457 0.786	2.43 3.9	0.422 0.727	2.25 3.61	0.552 0.732	0.4 0.5	2.9	
28	16	21	80	7 × 11 × 9	3000	41.9 51.2	75.2 100.2	0.785 1.36	4.12 6.62	0.726 1.26	3.82 6.13	0.896 1.19	0.7 0.9	4.2	
34	18	24.5	80	9 × 14 × 12	3000	55.5 68.6	95.5 129.5	1.09 1.95	5.88 9.61	1.01 1.81	5.45 8.9	1.36 1.84	1 1.3	6	
45	20.5	29	105	14 × 20 × 17	3090	84.4 101.1	151.4 195.9	2.23 3.87	11.7 18.3	2.07 3.57	10.8 16.9	2.9 3.75	1.8 2.3	9.5	
53	23.5	36.5	120	16 × 23 × 20	3060	108.7 134.1	191.6 259.3	3.36 5.76	17.4 28.4	3.1 5.32	16.1 26.3	4.19 5.67	3.3 4.3	14	
63	31.5	43	150	18 × 26 × 22	3000	159.8 206	269.4 387.2	5.46 10.9	27.8 51.9	5.05 10.1	25.8 48	6.97 10.02	6 8.5	19.6	
75	35	44	150	22 × 32 × 26	3000	212 278	431 566	10.6 18.6	53.8 87	10.6 18.6	53.8 87	13.4 17.6	8.7 11.6	24.6	
85	35.5	48	180	24 × 35 × 28	3000	264 342	531 687	14.9 25.4	75.3 117	14.9 25.4	75.3 117	18.7 24.2	12.7 15.8	12.3 30.5	
100	50	57	210	26 × 39 × 32	3000	376 470	737 920	25.1 34.6	123 174	25.1 34.6	123 174	30.4 38.1	21.8 26.1	42.6	

Note1) The maximum length under "Length\*" indicates the standard maximum length of an LM rail. (See [A1-240](#).)

Static permissible moment\* 1 block: the static permissible moment with one LM block

Double blocks: static permissible moment when two LM blocks are in close contact with each other

For oil lubrication, be certain to let THK know the mounting orientation and where the LM block piping joint should be attached.

(Mounting orientation: see [A1-12](#), Lubricant: see [A24-2](#))

Total block length L

: The total block length L shown in the table is the length with the dust proof parts, code UU or SS. If other contamination protection accessories or lubricant equipment are installed, the total block length will increase.

(See [A1-491](#) or [A1-512](#))

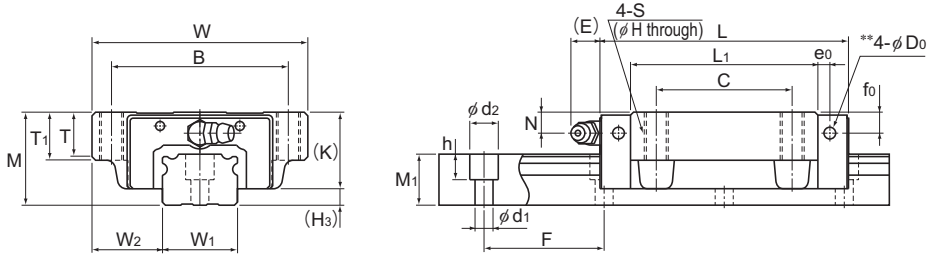
\*\* A pilot hole for side nipples, when a grease nipple for a model equipped with LaCS or QZ Lubricator is needed.

Pilot holes for side nipples are not drilled through for models other than those stated above.

For grease nipple mount machining, contact THK.

Note2) The basic load rating in the dimension table is for a load in the radial direction. Use Table7 on [A1-59](#) to calculate the load rating for loads in the reverse radial direction or lateral direction.

# Models NR-CX and NR-LCX



Model NR-CX

Model No.	Outer dimensions			LM block dimensions													Grease nipple	H <sub>3</sub>
	Height	Width	Length	B	C	S	H	L <sub>1</sub>	T	T <sub>1</sub>	K	N	f <sub>0</sub>	E	e <sub>0</sub>	D <sub>0</sub>		
	M	W	L															
NR 25CX NR 25LCX	31	72	82.8 102	59	45	M8	6.8	61.4 80.6	14.8	16	25.5	7.8	5.1	12	4.5	3.9	B-M6F	5.5
NR 30CX NR 30LCX	38	90	98 120.5	72	52	M10	8.5	72.1 94.6	16.9	18.1	31	10.3	7	12	6.5	3.9	B-M6F	7
NR 35CX NR 35LCX	44	100	109.5 135	82	62	M10	8.5	79 104.5	18.9	20.1	35	12.1	8	12	6	5.2	B-M6F	9
NR 45CX NR 45LCX	52	120	138.2 171	100	80	M12	10.5	105 137.8	20.6	22.1	40.4	13.9	8	16	8.5	5.2	B-PT1/8	11.6
NR 55CX NR 55LCX	63	140	163.3 200.5	116	95	M14	12.5	123.6 160.8	22.5	24	49	16.6	10	16	10	5.2	B-PT1/8	14
NR 65CX NR 65LCX	75	170	186 246	142	110	M16	14.5	143.6 203.6	26	28	60	19	15	16	8.7	8.2	B-PT1/8	15

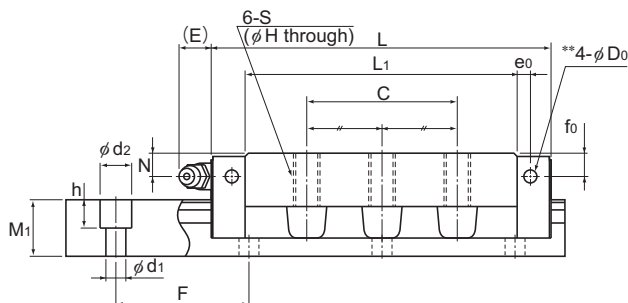
## Model number coding

<b>NR35</b>	<b>CX</b>	<b>2</b>	<b>QZ</b>	<b>KKHH</b>	<b>C0</b>	<b>+1400L</b>	<b>P</b>	<b>T</b>	<b>-II</b>
Model number	Type of LM block	No. of LM blocks used on the same rail	With QZ Lubricator	Contamination protection accessory symbol (*1)	Radial clearance symbol (*2) Normal (No symbol) Light preload (C1) Medium preload (C0)	LM rail length (in mm)	Accuracy symbol (*3) Normal grade (No symbol)/High accuracy grade (H) Precision grade (P)/Super precision grade (SP) Ultra precision grade (UP)	Symbol for LM rail jointed use	Symbol for No. of rails used on the same plane (*4)

(\*1) See contamination protection accessory on **A1-516** (\*2) See **A1-71**. (\*3) See **A1-77**. (\*4) See **A1-13**.

Note) This model number indicates that a single-rail unit constitutes one set. (i.e., required number of sets when 2 rails are used in parallel is 2 at a minimum.)

Those models equipped with QZ Lubricator cannot have a grease nipple. When desiring a grease nipple for a model attached with QZ, contact THK.



Model NR-LCX

Unit: mm

LM rail dimensions						Basic load rating		Static permissible moment kN•m*					Mass	
Width W <sub>1</sub> 0-0.05	Height W <sub>2</sub>	Pitch M <sub>1</sub>	Pitch F	d <sub>1</sub> × d <sub>2</sub> × h	Length* Max	C kN	C <sub>0</sub> kN	M <sub>A</sub>		M <sub>B</sub>		M <sub>C</sub>	LM block kg	LM rail kg/m
								1 block	Double blocks	1 block	Double blocks	1 block		
25	23.5	17	40	6 × 9.5 × 8.5	3000	37.1 45.4	68.1 90.8	0.57 0.989	3.04 4.91	0.346 0.597	1.84 2.95	0.703 0.937	0.6 0.8	2.9
28	31	21	80	7 × 11 × 9	3000	54.7 66.9	98.1 130.8	0.986 1.71	5.17 8.34	0.599 1.03	3.13 5.02	1.15 1.53	1.1 1.5	4.2
34	33	24.5	80	9 × 14 × 12	3000	72.4 89.6	124.6 169.1	1.37 2.46	7.38 12.1	0.835 1.49	4.48 7.3	1.74 2.36	1.6 2	6
45	37.5	29	105	14 × 20 × 17	3090	110.2 132	197.6 255.8	2.81 4.87	14.7 23	1.72 2.94	8.95 13.8	3.72 4.81	2.7 3.6	9.5
53	43.5	36.5	120	16 × 23 × 20	3060	141.9 175.1	250.2 338.4	4.22 7.27	21.8 35.9	2.56 4.4	13.2 21.7	5.37 7.27	4.5 5.9	14
63	53.5	43	150	18 × 26 × 22	3000	208.7 268.9	351.7 505.5	6.87 13.8	35 65.4	4.16 8.31	21.2 39.3	8.94 12.9	7.8 11	19.6

Note1) The maximum length under "Length\*" indicates the standard maximum length of an LM rail. (See [A1-240](#).)

Static permissible moment\* 1 block: the static permissible moment with one LM block

Double blocks: static permissible moment when two LM blocks are in close contact with each other

For oil lubrication, be certain to let THK know the mounting orientation and where the LM block piping joint should be attached.

(Mounting orientation: see [A1-12](#), Lubricant: see [A24-2](#))

Total block length L

: The total block length L shown in the table is the length with the dust proof parts, code UU or SS.

If other contamination protection accessories or lubricant equipment are installed, the total block length will increase.

(See [A1-491](#) or [A1-512](#))

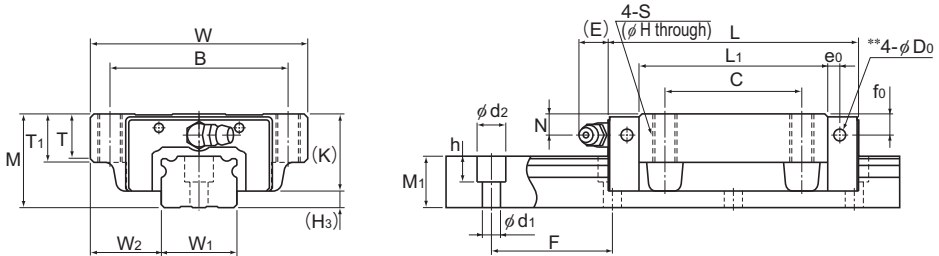
\*\* A pilot hole for side nipples, when a grease nipple for a model equipped with LaCS or QZ Lubricator is needed.

Pilot holes for side nipples are not drilled through for models other than those stated above.

For grease nipple mount machining, contact THK.

Note2) The basic load rating in the dimension table is for a load in the radial direction. Use Table7 on [A1-59](#) to calculate the load rating for loads in the reverse radial direction or lateral direction.

# Models NRS-CX and NRS-LCX



Model NRS-CX

Model No.	Outer dimensions			LM block dimensions														Grease nipple	H <sub>3</sub>
	Height	Width	Length	B	C	S	H	L <sub>1</sub>	T	T <sub>1</sub>	K	N	f <sub>0</sub>	E	e <sub>0</sub>	D <sub>0</sub>			
	M	W	L	B	C	S	H	L <sub>1</sub>	T	T <sub>1</sub>	K	N	f <sub>0</sub>	E	e <sub>0</sub>	D <sub>0</sub>			
NRS 25CX NRS 25LCX	31	72	82.8 102	59	45	M8	6.8	61.4 80.6	14.8	16	25.5	7.8	5.1	12	4.5	3.9	B-M6F	5.5	
NRS 30CX NRS 30LCX	38	90	98 120.5	72	52	M10	8.5	72.1 94.6	16.9	18.1	31	10.3	7	12	6.5	3.9	B-M6F	7	
NRS 35CX NRS 35LCX	44	100	109.5 135	82	62	M10	8.5	79 104.5	18.9	20.1	35	12.1	8	12	6	5.2	B-M6F	9	
NRS 45CX NRS 45LCX	52	120	138.2 171	100	80	M12	10.5	105 137.8	20.6	22.1	40.4	13.9	8	16	8.5	5.2	B-PT1/8	11.6	
NRS 55CX NRS 55LCX	63	140	163.3 200.5	116	95	M14	12.5	123.6 160.8	22.5	24	49	16.6	10	16	10	5.2	B-PT1/8	14	
NRS 65CX NRS 65LCX	75	170	186 246	142	110	M16	14.5	143.6 203.6	26	28	60	19	15	16	8.7	8.2	B-PT1/8	15	

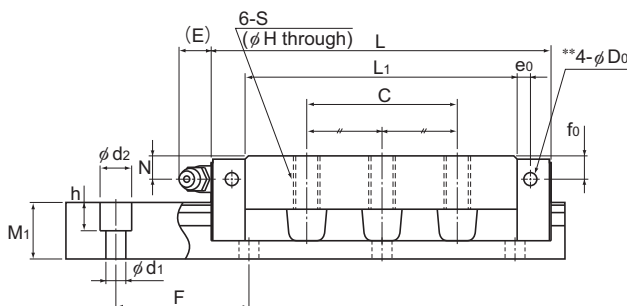
## Model number coding

<b>NRS45</b>	<b>LCX</b>	<b>2</b>	<b>QZ</b>	<b>SSHH</b>	<b>C0</b>	<b>+2040L</b>	<b>P</b>	<b>T</b>	<b>-II</b>
Model number	Type of LM block	No. of LM blocks used on the same rail	With QZ Lubricator	Contamination protection accessory symbol (*1)	Radial clearance symbol (*2) Normal (No symbol) Light preload (C1) Medium preload (C0)	LM rail length (in mm)	Symbol for LM rail jointed use	Accuracy symbol (*3) Normal grade (No Symbol)/High accuracy grade (H) Precision grade (P)/Super precision grade (SP) Ultra precision grade (UP)	Symbol for No. of rails used on the same plane (*4)

(\*1) See contamination protection accessory on **A1-516** (\*2) See **A1-71**. (\*3) See **A1-77**. (\*4) See **A1-13**.

Note) This model number indicates that a single-rail unit constitutes one set. (i.e., required number of sets when 2 rails are used in parallel is 2 at a minimum.)

Those models equipped with QZ Lubricator cannot have a grease nipple. When desiring a grease nipple for a model attached with QZ, contact THK.



Model NRS-LCX

Unit: mm

LM rail dimensions						Basic load rating		Static permissible moment $\text{kN}\cdot\text{m}^*$						Mass	
Width $W_1$ 0-0.05	Height $M_1$	Pitch $F$	Length* Max	$d_1 \times d_2 \times h$	C	$C_0$	$M_A$		$M_B$		$M_C$	LM block kg	LM rail kg/m		
							1 block	Double blocks	1 block	Double blocks	1 block				
25	23.5	17	3000	$6 \times 9.5 \times 8.5$	28.4 34.7	52.2 69.6	0.457 0.786	2.43 3.9	0.422 0.727	2.25 3.61	0.552 0.732	0.6 0.8	2.9		
28	31	21	3000	$7 \times 11 \times 9$	41.9 51.2	75.2 100.2	0.785 1.36	4.12 6.62	0.726 1.26	3.82 6.13	0.896 1.19	1.1 1.5	4.2		
34	33	24.5	3000	$9 \times 14 \times 12$	55.5 68.6	95.5 129.5	1.09 1.95	5.88 9.61	1.01 1.81	5.45 8.9	1.36 1.84	1.6 2	6		
45	37.5	29	3000	$14 \times 20 \times 17$	84.4 101.1	151.4 195.9	2.23 3.87	11.7 18.3	2.07 3.57	10.8 16.9	2.9 3.75	2.7 3.6	9.5		
53	43.5	36.5	3000	$16 \times 23 \times 20$	108.7 134.1	191.6 259.3	3.36 5.76	17.4 28.4	3.1 5.32	16.1 26.3	4.19 5.67	4.5 5.9	14		
63	53.5	43	3000	$18 \times 26 \times 22$	159.8 206	269.4 387.2	5.46 10.9	27.8 51.9	5.05 10.1	25.8 48	6.97 10.02	7.8 11	19.6		

Note1) The maximum length under "Length\*" indicates the standard maximum length of an LM rail. (See [A1-240](#).)

Static permissible moment\* 1 block: the static permissible moment with one LM block

Double blocks: static permissible moment when two LM blocks are in close contact with each other

For oil lubrication, be certain to let THK know the mounting orientation and where the LM block piping joint should be attached.

(Mounting orientation: see [A1-12](#), Lubricant: see [A24-2](#))

Total block length L

: The total block length L shown in the table is the length with the dust proof parts, code UU or SS.

If other contamination protection accessories or lubricant equipment are installed, the total block length will increase.

(See [A1-491](#) or [A1-512](#))

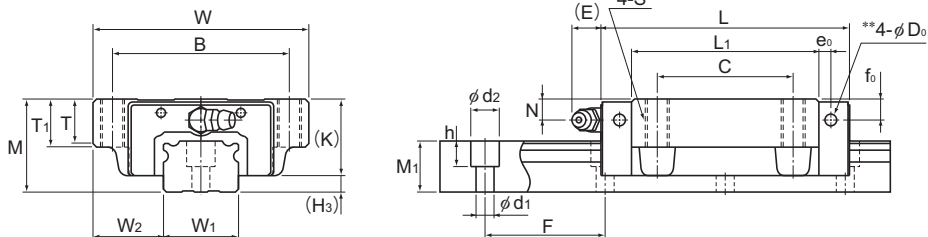
\*\* A pilot hole for side nipples, when a grease nipple for a model equipped with LaCS or QZ Lubricator is needed.

Pilot holes for side nipples are not drilled through for models other than those stated above.

For grease nipple mount machining, contact THK.

Note2) The basic load rating in the dimension table is for a load in the radial direction. Use Table7 on [A1-59](#) to calculate the load rating for loads in the reverse radial direction or lateral direction.

# Models NR-A, NR-LA, NRS-A and NRS-LA



Models NR-A and NRS-A

Model No.	Outer dimensions			LM block dimensions													Grease nipple	H <sub>3</sub>
	Height	Width	Length	B	C	S × ℓ	L <sub>1</sub>	T	T <sub>1</sub>	K	N	f <sub>0</sub>	E	e <sub>0</sub>	D <sub>0</sub>			
	M	W	L															
NR 75A NR 75LA	83	195	218 274	165	130	M18 × 30	170.2 226.2	28	30	68	18	17	16	9	8.2	B-PT1/8	15	
NR 85A NR 85LA	90	215	246.7 302.8	185	140	M20 × 34	194.9 251	32	34	73	20	20	16	10	8.2	B-PT1/8	17	
NR 100A NR 100LA	105	260	286.2 326.2	220	150 200	M20 × 38	223.4 263.4	35	38	85	23	23	10	12	8.2	B-PT1/4	20	
NRS 75A NRS 75LA	83	195	218 274	165	130	M18 × 30	170.2 226.2	28	30	68	18	17	16	9	8.2	B-PT1/8	15	
NRS 85A NRS 85LA	90	215	246.7 302.8	185	140	M20 × 34	194.9 251	32	34	73	20	20	16	10	8.2	B-PT1/8	17	
NRS 100A NRS 100LA	105	260	286.2 326.2	220	150 200	M20 × 38	223.4 263.4	35	38	85	23	23	10	12	8.2	B-PT1/4	20	

## Model number coding

**NR75 A 2 QZ KKHH C0 +1400L P Z T - II**

Model number

Type of LM block

With QZ Lubricator

Contamination protection accessory symbol (\*1)

LM rail length (in mm)

Symbol for LM rail jointed use  
With plate cover or steel tape (\*4)

Symbol for No. of rails used on the same plane (\*5)

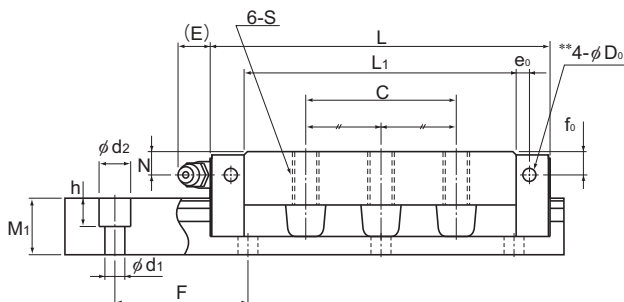
No. of LM blocks used on the same rail

Radial clearance symbol (\*2)  
Normal (No symbol)  
Light preload (C1)  
Medium preload (C0)Accuracy symbol (\*3)  
Normal grade (No Symbol)/High accuracy grade (H)  
Precision grade (P)/Super precision grade (SP)  
Ultra precision grade (UP)(\*1) See contamination protection accessory on **A1-516**. (\*2) See **A1-71**. (\*3) See **A1-77**.(\*4) Specify the plate cover or the steel tape. (\*5) See **A1-13**.

Note) This model number indicates that a single-rail unit constitutes one set. (i.e., required number of sets when 2 rails are used in parallel is 2 at a minimum.)

Those models equipped with QZ Lubricator cannot have a grease nipple. When desiring a grease nipple for a model attached with QZ, contact THK.





Models NR-LA and NRS-LA

Unit: mm

LM rail dimensions						Basic load rating		Static permissible moment kN·m*					Mass	
Width W <sub>1</sub> 0 -0.05	W <sub>2</sub>	Height M <sub>1</sub>	Pitch F	d <sub>1</sub> × d <sub>2</sub> × h	Length* Max	C kN	C <sub>0</sub> kN	M <sub>A</sub>		M <sub>B</sub>		M <sub>C</sub>	LM block kg	LM rail kg/m
								1 block	Double blocks	1 block	Double blocks	1 block		
75	60	44	150	22 × 32 × 26	3000	271 355	610 800	14.4 25.4	73.3 118	8.91 15.4	44.7 71.4	19.3 25.2	11.3 15	24.6
85	65	48	180	24 × 35 × 28	3000	336 435	751 972	20.3 34.7	102 160	12.4 21	62.6 96.2	26.8 34.6	16.2 20.7	30.5
100	80	57	210	26 × 39 × 32	3000	479 599	1040 1300	34 47.3	167 238	20.7 29.2	101 146	43.4 54.6	26.7 31.2	42.6
75	60	44	150	22 × 32 × 26	3000	212 278	431 566	10.6 18.6	53.8 87	10.6 18.6	53.8 87	13.4 17.6	11.3 15	24.6
85	65	48	180	24 × 35 × 28	3000	264 342	531 687	14.9 25.4	75.3 117	14.9 25.4	75.3 117	18.7 24.2	16.2 20.7	30.5
100	80	57	210	26 × 39 × 32	3000	376 470	737 920	25.1 34.6	123 174	25.1 34.6	123 174	30.4 38.1	26.7 31.2	42.6

Note1) The maximum length under "Length\*" indicates the standard maximum length of an LM rail. (See [A1-240](#).)

Static permissible moment\* 1 block: the static permissible moment with one LM block

Double blocks: static permissible moment when two LM blocks are in close contact with each other

For oil lubrication, be certain to let THK know the mounting orientation and where the LM block piping joint should be attached.

(Mounting orientation: see [A1-12](#), Lubricant: see [A24-2](#))

Total block length L

: The total block length L shown in the table is the length with the dust proof parts, code UU or SS. If other contamination protection accessories or lubricant equipment are installed, the total block length will increase.

(See [A1-491](#) or [A1-512](#))

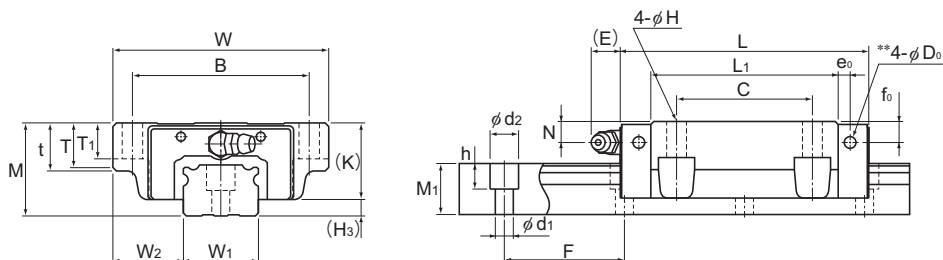
\*\* A pilot hole for side nipples, when a grease nipple for a model equipped with LaCS or QZ Lubricator is needed.

Pilot holes for side nipples are not drilled through for models other than those stated above.

For grease nipple mount machining, contact THK.

Note2) The basic load rating in the dimension table is for a load in the radial direction. Use Table7 on [A1-59](#) to calculate the load rating for loads in the reverse radial direction or lateral direction.

# Models NR-B, NR-LB, NRS-B and NRS-LB



Models NR-B and NRS-B

Model No.	Outer dimensions			LM block dimensions															Grease nipple	H <sub>3</sub>
	Height	Width	Length	B	C	H	L <sub>1</sub>	t	T	T <sub>1</sub>	K	N	f <sub>0</sub>	E	e <sub>0</sub>	D <sub>0</sub>				
	M	W	L																	
NR 75B NR 75LB	83	195	218 274	165	130	18	170.2 226.2	30	28	26	68	18	17	16	9	8.2	B-PT1/8	15		
NR 85B NR 85LB	90	215	246.7 302.8	185	140	18	194.9 251	34	32	28	73	20	20	16	10	8.2	B-PT1/8	17		
NR 100B NR 100LB	105	260	286.2 326.2	220	150 200	20	223.4 263.4	38	35	32	85	23	23	10	12	8.2	B-PT1/4	20		
NRS 75B NRS 75LB	83	195	218 274	165	130	18	170.2 226.2	30	28	26	68	18	17	16	9	8.2	B-PT1/8	15		
NRS 85B NRS 85LB	90	215	246.7 302.8	185	140	18	194.9 251	34	32	28	73	20	20	16	10	8.2	B-PT1/8	17		
NRS 100B NRS 100LB	105	260	286.2 326.2	220	150 200	20	223.4 263.4	38	35	32	85	23	23	10	12	8.2	B-PT1/4	20		

## Model number coding

**NR75 B 2 QZ DDHH C0 +1080L P Z T -II**

Model number

Type of LM block

With QZ Lubricator

Contamination protection accessory symbol (\*1)

LM rail length (in mm)

Symbol for LM rail jointed use  
With plate cover or steel tape (\*4)

Symbol for No. of rails used on the same plane (\*5)

No. of LM blocks used on the same rail

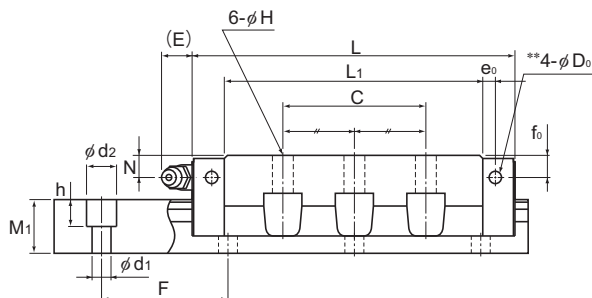
Radial clearance symbol (\*2)  
Normal (No symbol)  
Light preload (C1)  
Medium preload (C0)

Accuracy symbol (\*3)  
Normal grade (No Symbol)/High accuracy grade (H)  
Precision grade (P)/Super precision grade (SP)  
Ultra precision grade (UP)

(\*1) See contamination protection accessory on **A1-516**. (\*2) See **A1-71**. (\*3) See **A1-77**.  
(\*4) Specify the plate cover or the steel tape. (\*5) See **A1-13**.

Note) This model number indicates that a single-rail unit constitutes one set. (i.e., required number of sets when 2 rails are used in parallel is 2 at a minimum.)

Those models equipped with QZ Lubricator cannot have a grease nipple. When desiring a grease nipple for a model attached with QZ, contact THK.



Models NR-LB and NRS-LB

Unit: mm

LM rail dimensions						Basic load rating		Static permissible moment $\text{kN}\cdot\text{m}^*$					Mass	
Width	Height	Pitch		Length*	C	$C_0$	$M_A$		$M_B$		$M_C$	LM block	LM rail	
$W_1$ 0 -0.05	$W_2$	$M_1$	F	$d_1 \times d_2 \times h$	Max	kN	kN	1 block	Double blocks	1 block	Double blocks	1 block	kg	kg/m
75	60	44	150	$22 \times 32 \times 26$	3000	271 355	610 800	14.4 25.4	73.3 118	8.91 15.4	44.7 71.4	19.3 25.2	11.3 15	24.6
85	65	48	180	$24 \times 35 \times 28$	3000	336 435	751 972	20.3 34.7	102 160	12.4 21	62.6 96.2	26.8 34.6	16.2 20.7	30.5
100	80	57	210	$26 \times 39 \times 32$	3000	479 599	1040 1300	34 47.3	167 238	20.7 29.2	101 146	43.4 54.6	26.7 31.2	42.6
75	60	44	150	$22 \times 32 \times 26$	3000	212 278	431 566	10.6 18.6	53.8 87	10.6 18.6	53.8 87	13.4 17.6	11.3 15	24.6
85	65	48	180	$24 \times 35 \times 28$	3000	264 342	531 687	14.9 25.4	75.3 117	14.9 25.4	75.3 117	18.7 24.2	16.2 20.7	30.5
100	80	57	210	$26 \times 39 \times 32$	3000	376 470	737 920	25.1 34.6	123 174	25.1 34.6	123 174	30.4 38.1	26.7 31.2	42.6

Note1) The maximum length under "Length\*" indicates the standard maximum length of an LM rail. (See [A1-240](#).)

Static permissible moment\* 1 block: the static permissible moment with one LM block

Double blocks: static permissible moment when two LM blocks are in close contact with each other

For oil lubrication, be certain to let THK know the mounting orientation and where the LM block piping joint should be attached.

(Mounting orientation: see [A1-12](#), Lubricant: see [A24-2](#))

Total block length L

: The total block length L shown in the table is the length with the dust proof parts, code UU or SS. If other contamination protection accessories or lubricant equipment are installed, the total block length will increase.

(See [A1-491](#) or [A1-512](#))

\*\* A pilot hole for side nipples, when a grease nipple for a model equipped with LaCS or QZ Lubricator is needed.

Pilot holes for side nipples are not drilled through for models other than those stated above.

For grease nipple mount machining, contact THK.

Note2) The basic load rating in the dimension table is for a load in the radial direction. Use Table7 on [A1-59](#) to calculate the load rating for loads in the reverse radial direction or lateral direction.

## Standard Length and Maximum Length of the LM Rail

Table1 shows the standard lengths and the maximum lengths of models NR/NRS-X variations. If the maximum length of the desired LM rail exceeds them, jointed rails will be used. Contact THK for details. For special rail lengths, it is recommended to use a value corresponding to the G,g dimension from the table. As the G,g dimension increases, this portion becomes less stable, and the accuracy performance is severely impacted.

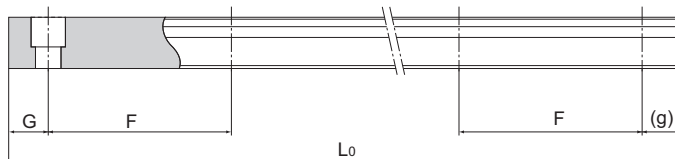


Table1 Standard Length and Maximum Length of the LM Rail for Models NR/NRS-X

Unit: mm

Model No.	NR/NRS25X	NR/NRS30X	NR/NRS35X	NR/NRS45X	NR/NRS55X	NR/NRS65X	NR/NRS75	NR/NRS85	NR/NRS100
LM rail standard length ( $L_0$ )	230	280	280	570	780	1270	1280	1530	1340
	270	360	360	675	900	1570	1580	1890	1760
	350	440	440	780	1020	2020	2030	2250	2180
	390	520	520	885	1140	2620	2630	2610	2600
	470	600	600	990	1260				
	510	680	680	1095	1380				
	590	760	760	1200	1500				
	630	840	840	1305	1620				
	710	920	920	1410	1740				
	750	1000	1000	1515	1860				
	830	1080	1080	1620	1980				
	950	1160	1160	1725	2100				
	990	1240	1240	1830	2220				
	1070	1320	1320	1935	2340				
	1110	1400	1400	2040	2460				
	1190	1480	1480	2145	2580				
	1230	1560	1560	2250	2700				
	1310	1640	1640	2355	2820				
	1350	1720	1720	2460	2940				
	1430	1800	1800	2565	3060				
	1470	1880	1880	2670					
	1550	1960	1960	2775					
	1590	2040	2040	2880					
	1710	2200	2200	2985					
1830	2360	2360	3090						
1950	2520	2520							
2070	2680	2680							
2190	2840	2840							
2310	3000	3000							
2430									
2470									
Standard pitch F	40	80	80	105	120	150	150	180	210
G,g	15	20	20	22.5	30	35	40	45	40
Max length	3000	3000	3000	3090	3060	3000	3000	3000	3000

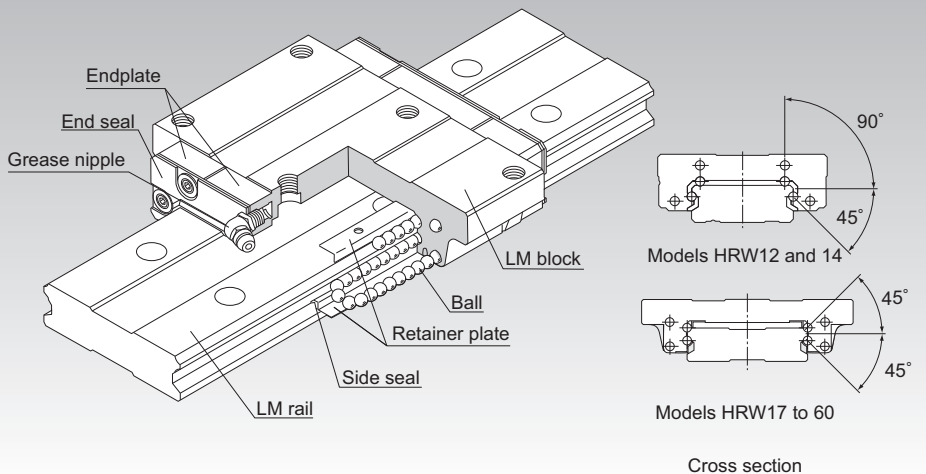
Note1) The maximum length varies with accuracy grades. Contact THK for details.

Note2) If jointed rails are not allowed and a greater length than the maximum values above is required, contact THK.



# HRW

## LM Guide Wide Rail Model HRW



**Point of Selection** **A1-10**

**Point of Design** **A1-454**

**Options** **A1-477**

**Model No.** **A1-543**

**Precautions on Use** **A1-549**

**Accessories for Lubrication** **A24-1**

**Mounting Procedure and Maintenance** **B1-89**

Equivalent moment factor **A1-43**

Rated Loads in All Directions **A1-59**

Equivalent factor in each direction **A1-61**

Radial Clearance **A1-72**

Accuracy Standards **A1-77**

Shoulder Height of the Mounting Base and the Corner Radius **A1-467**

Permissible Error of the Mounting Surface **A1-471**

Dimensions of Each Model with an Option Attached **A1-491**

---

## Structure and Features

---

Balls roll in four rows of raceways precision-ground on an LM rail and an LM block, and endplates incorporated in the LM block allow the balls to circulate.

Since retainer plates hold the balls, they do not fall off even if the LM rail is pulled out. (except models HRW 12 and 14LR).

Each row of balls is placed at a contact angle of  $45^\circ$  so that the rated loads applied to the LM block are uniform in the four directions (radial, reverse radial and lateral directions), enabling the LM Guide to be used in all orientations. In addition, the LM block can receive a well-balanced preload, increasing the rigidity in four directions while maintaining a constant, low friction coefficient. In a low center of gravity structure with a large rail width and a low overall height, this model can be used in places where space saving is required or high rigidity against a moment is required even in a single axis configuration.

### [Compact, Heavy Load]

Since the number of effective balls is large, this model is highly rigid in all directions. It can adequately receive a moment even in a single rail configuration.

Additionally, since the second moment of inertia of the rail is large, the rigidity in the lateral directions is also high. Accordingly, it does not need reinforcement such as a side support.

### [Self-adjustment Capability]

The self-adjustment capability through front-to-front configuration of THK's unique circular-arc grooves (DF set) enables a mounting error to be absorbed even under a preload, thus to achieve highly accurate, smooth straight motion.

---

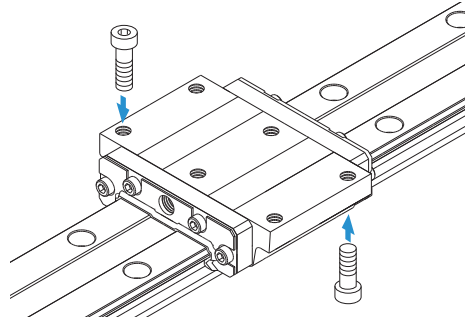
## Types and Features

---

### Model HRW-CA

The flange of this LM block has tapped holes.  
Can be mounted from the top or the bottom.

Specification Table⇒ [A1-246](#)

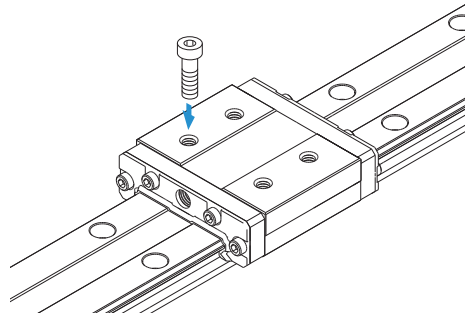


---

### Model HRW-CR

The LM block has tapped holes.

Specification Table⇒ [A1-248](#)

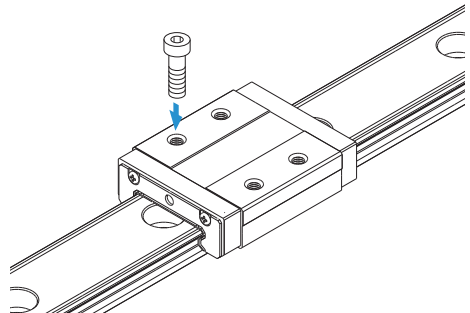


---

### Miniature Type Model HRW-LRM

The LM block has tapped holes.

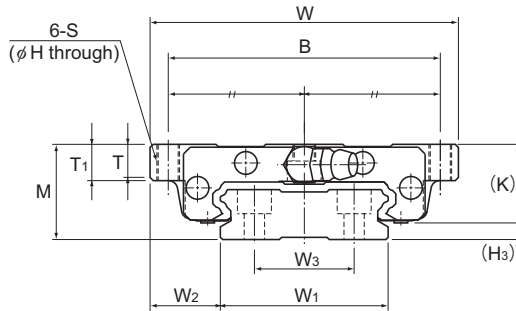
Specification Table⇒ [A1-248](#)







## Models HRW-CA and HRW-CAM



Model No.	Outer dimensions			LM block dimensions											Grease nipple	H <sub>3</sub>
	Height	Width	Length	B	C	H	S	L <sub>1</sub>	T	T <sub>1</sub>	K	N	E			
	M	W	L	B	C	H	S	L <sub>1</sub>	T	T <sub>1</sub>	K	N	E		H <sub>3</sub>	
HRW 17CA HRW 17CAM	17	60	50.8	53	26	3.3	M4	33.6	5.5	6	14.5	4	2	PB107	2.5	
HRW 21CA HRW 21CAM	21	68	58.8	60	29	4.4	M5	40	7.3	8	18	4.5	12	B-M6F	3	
HRW 27CA HRW 27CAM	27	80	72.8	70	40	5.3	M6	51.8	9.5	10	24	6	12	B-M6F	3	
HRW 35CA HRW 35CAM	35	120	106.6	107	60	6.8	M8	77.6	13	14	31	8	12	B-M6F	4	
HRW 50CA	50	162	140.5	144	80	8.6	M10	103.5	16.5	18	46.6	14	16	B-PT1/8	3.4	
HRW 60CA	60	200	158.9	180	80	10.5	M12	117.5	23.5	25	53.5	15	16	B-PT1/8	6.5	

### Model number coding

**HRW35 CA 2 UU C1 M +1000L P T M**

Model number

Type of LM block

Contamination protection accessory symbol (\*1)

Stainless steel LM block

LM rail length (in mm)

Symbol for LM rail jointed use

Stainless steel LM rail

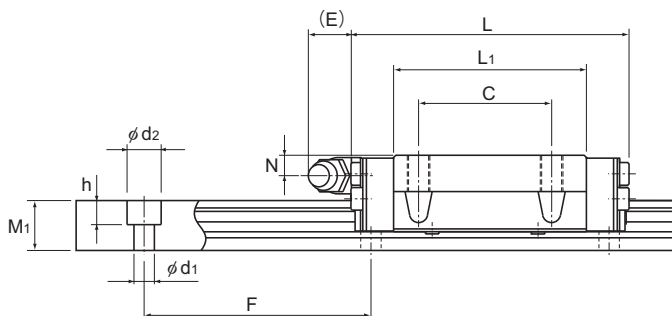
No. of LM blocks used on the same rail

Radial clearance symbol (\*2)  
Normal (No symbol)  
Light preload (C1)  
Medium preload (C0)

Accuracy symbol (\*3)

Normal grade (No Symbol)/High accuracy grade (H)  
Precision grade (P)/Super precision grade (SP)  
Ultra precision grade (UP)

(\*1) See contamination protection accessory on [A1-516](#). (\*2) See [A1-72](#). (\*3) See [A1-77](#).



Unit: mm

LM rail dimensions								Basic load rating		Static permissible moment kN·m*						Mass	
Width $W_1$ $\pm 0.05$	$W_2$	$W_3$	Height Pitch		$d_1 \times d_2 \times h$	Length* Max	C	$C_0$	$M_A$		$M_B$		$M_C$	LM block kg	LM rail kg/m		
			$M_1$	F					1 block	Double blocks	1 block	Double blocks	1 block				
33	13.5	18	9	40	4.5×7.5×5.3	1900 (800)	5.53	9.1	0.0464	0.272	0.0464	0.272	0.144	0.15	2.1		
37	15.5	22	11	50	4.5×7.5×5.3	3000 (1000)	8.02	12.9	0.0784	0.445	0.0784	0.445	0.219	0.25	2.9		
42	19	24	15	60	4.5×7.5×5.3	3000 (1200)	14.2	21.6	0.166	0.923	0.166	0.923	0.423	0.5	4.3		
69	25.5	40	19	80	7×11×9	3000 (2120)	33.8	48.6	0.559	3.03	0.559	3.03	1.59	1.4	9.9		
90	36	60	24	80	9×14×12	3000	62.4	86.3	1.32	7.08	1.32	7.08	3.67	4	14.6		
120	40	80	31	105	11×17.5×14	3000	80.3	109	1.88	10.1	1.88	10.1	6.17	5.7	27.8		

Note) The maximum length under "Length\*" indicates the standard maximum length of an LM rail. (See **A1-250**)

Static permissible moment\* 1 block: the static permissible moment with one LM block

Double blocks: static permissible moment when two LM blocks are in close contact with each other

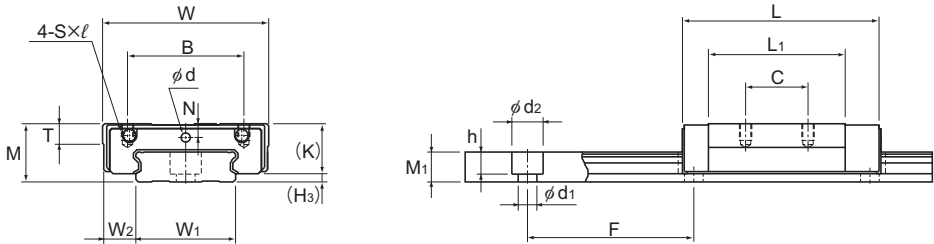
Total block length L

: The total block length L shown in the table is the length with the dust proof parts, code UU or SS. If other contamination protection accessories or lubricant equipment are installed, the total block length will increase.

(See **A1-491** or **A1-512**)

The M in the model number symbol indicates that the LM block, LM rail and balls are made of stainless steel. The stainless steel provides excellent corrosion and environmental resistance.

# Models HRW-CR, HRW-CRM and HRW-LRM



Models HRW12 and 14LRM

Model No.	Outer dimensions			LM block dimensions										Grease nipple	H <sub>3</sub>
	Height	Width	Length	B	C	S × l	L <sub>1</sub>	T	K	N	E	Greasing hole			
	M	W	L	B	C	S × l	L <sub>1</sub>	T	K	N	E	d			
HRW 12LRM	12	30	37	21	12	M3 × 3.5	27	4	10	2.8	—	2.2	—	2	
HRW 14LRM	14	40	45.5	28	15	M3 × 4	32.9	5	12	3.3	—	2.2	—	2	
HRW 17CR HRW 17CRM	17	50	50.8	29	15	M4 × 5	33.6	6	14.5	4	2	—	PB107	2.5	
HRW 21CR HRW 21CRM	21	54	58.8	31	19	M5 × 6	40	8	18	4.5	12	—	B-M6F	3	
HRW 27CR HRW 27CRM	27	62	72.8	46	32	M6 × 6	51.8	10	24	6	12	—	B-M6F	3	
HRW 35CR HRW 35CRM	35	100	106.6	76	50	M8 × 8	77.6	14	31	8	12	—	B-M6F	4	
HRW 50 CR	50	130	140.5	100	65	M10 × 15	103.5	18	46.6	14	16	—	B-PT1/8	3.4	

## Model number coding

**HRW27 CR 2 UU C1 M +820L P T M**

Model number

Type of LM block

Contamination protection accessory symbol (\*1)

Stainless steel LM block

LM rail length (in mm)

Symbol for LM rail jointed use

Stainless steel LM rail

No. of LM blocks used on the same rail

Radial clearance symbol (\*2)

Normal (No symbol)

Light preload (C1)

Medium preload (C0)

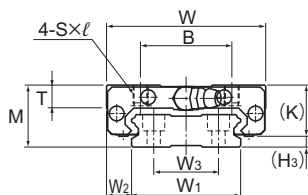
Accuracy symbol (\*3)

Normal grade (No Symbol)/High accuracy grade (H)

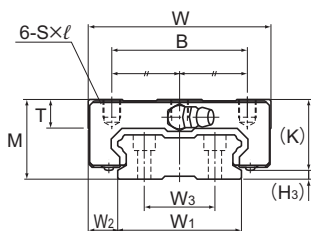
Precision grade (P)/Super precision grade (SP)

Ultra precision grade (UP)

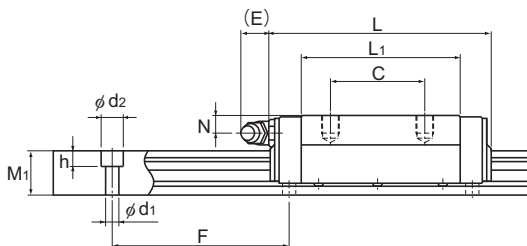
(\*1) See contamination protection accessory on **A1-516**. (\*2) See **A1-72**. (\*3) See **A1-77**.



Models HRW17 and 21CR/CRM



Models HRW27 to 50CR/CRM



Unit: mm

LM rail dimensions								Basic load rating		Static permissible moment kN·m*					Mass	
Width W <sub>1</sub> ±0.05	W <sub>2</sub>	W <sub>3</sub>	Height M <sub>1</sub>	Pitch F	Length* d <sub>1</sub> ×d <sub>2</sub> ×h Max	C kN	C <sub>0</sub> kN	M <sub>a</sub>		M <sub>b</sub>		M <sub>c</sub>	LM block kg	LM rail kg/m		
								1 block	Double blocks	1 block	Double blocks	1 block				
18	6	—	6.5	40	4.5×8×4.5 (1000)	3.29	7.16	0.0262	0.138	0.013	0.069	0.051	0.045	0.79		
24	8	—	7.2	40	4.5×7.5×5.3 (1430)	5.38	11.4	0.0499	0.273	0.025	0.137	0.112	0.08	1.2		
33	8.5	18	9	40	4.5×7.5×5.3 1900 (800)	5.53	9.1	0.0464	0.272	0.0464	0.272	0.144	0.12	2.1		
37	8.5	22	11	50	4.5×7.5×5.3 3000 (1000)	8.02	12.9	0.0784	0.445	0.0784	0.445	0.219	0.19	2.9		
42	10	24	15	60	4.5×7.5×5.3 3000 (1200)	14.2	21.6	0.166	0.923	0.166	0.923	0.423	0.37	4.3		
69	15.5	40	19	80	7×11×9 3000 (2120)	33.8	48.6	0.559	3.03	0.559	3.03	1.59	1.2	9.9		
90	20	60	24	80	9×14×12 3000	62.4	86.3	1.32	7.08	1.32	7.08	3.67	3.2	14.6		

Note1) The maximum length under "Length\*" indicates the standard maximum length of an LM rail. (See **A1-250**.)

Static permissible moment\* 1 block: the static permissible moment with one LM block

Double blocks: static permissible moment when two LM blocks are in close contact with each other

Total block length L : The total block length L shown in the table is the length with the dust proof parts, code UU or SS. If other contamination protection accessories or lubricant equipment are installed, the total block length will increase.

(See **A1-491** or **A1-512**)

The M in the model number symbol indicates that the LM block, LM rail and balls are made of stainless steel.

The stainless steel provides excellent corrosion and environmental resistance.

Note2) The basic load rating in the dimension table is for a load in the radial direction. Use Table7 on **A1-59** to calculate the load rating for loads in the reverse radial direction or lateral direction for models 12 and 14, as those values are different.

## Standard Length and Maximum Length of the LM Rail

Table1 shows the standard and maximum lengths of the HRW model rail. If a rail length longer than the listed max length is required, rails may be jointed to meet the overall length. Contact THK for details. For special rail lengths, it is recommended to use a value corresponding to the G,g dimension from the table. As the G,g dimension increases, this portion becomes less stable, and the accuracy performance is severely impacted.

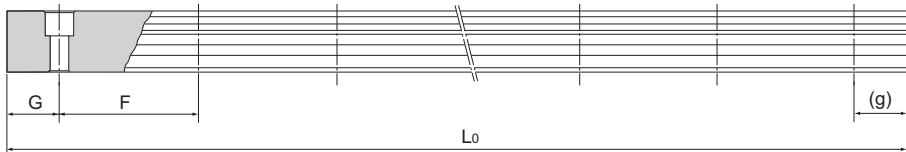


Table1 Standard Length and Maximum Length of the LM Rail for Model HRW

Unit: mm

Model No.	HRW 12	HRW 14	HRW 17	HRW 21	HRW 27	HRW 35	HRW 50	HRW 60
LM rail standard length (L <sub>0</sub> )	70	70	110	130	160	280	280	570
	110	110	190	230	280	440	440	885
	150	150	310	380	340	760	760	1200
	190	190	470	480	460	1000	1000	1620
	230	230	550	580	640	1240	1240	2040
	270	270		780	820	1560	1640	2460
	310	310					2040	
	390	390						
	470	470						
		550	670					
Standard pitch F	40	40	40	50	60	80	80	105
G,g	15	15	15	15	20	20	20	22.5
Max length	(1000)	(1430)	1900 (800)	3000 (1000)	3000 (1200)	3000 (2120)	3000	3000

Note1) The maximum length varies with accuracy grades. Contact THK for details.

Note2) If jointed rails are not allowed and a greater length than the maximum values above is required, contact THK.

Note3) The figures in the parentheses indicate the maximum lengths of stainless steel made models.

## Prevention of LM block from falling off of LM rail

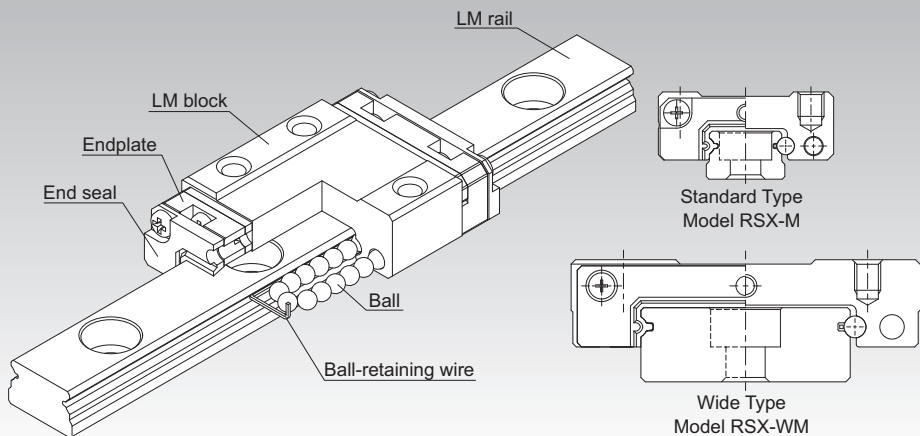
In miniature model HRW, the balls fall out if the LM block comes off the LM rail.

For this reason, LM Guide assemblies are delivered with a part which prevents the LM block from coming off the rail. If you remove this part when using the product, please take precautions to avoid overrunning the blocks off of the rail.



# RSX

## LM Guide Miniature Type Model RSX



**Point of Selection** **A1-10**

**Point of Design** **A1-454**

**Options** **A1-477**

**Model No.** **A1-543**

**Precautions on Use** **A1-549**

**Accessories for Lubrication** **A24-1**

**Mounting Procedure and Maintenance** **B1-89**

**Equivalent Moment Factor** **A1-43**

**Rated Loads in All Directions** **A1-59**

**Equivalent Factor in Each Direction** **A1-61**

**Radial Clearance** **A1-71**

**Accuracy Standards** **A1-83**

**Shoulder Height of the Mounting Base and the Corner Radius** **A1-469**

**Permissible Error of the Mounting Surface** **A1-471**

**Flatness of the Mounting Surface** **A1-472**

**Dimensions of Each Model with an Option Attached** **A1-491**



---

## Structure and Features

---

With the Model RSX, balls roll in two rows of raceways precision-ground on an LM rail and an LM block, and end plates incorporated in the LM block allow the balls to circulate. The Model RSX uses two rows of raceways, and it can help reduce the size of a device because it has more compact outer dimensions than models with four raceways. Despite being compact, its ball contact structure is capable of receiving loads in all directions, and it can be used individually in locations where moments are applied.

### [Ultra Compact]

The Model RSX has one raceway on either side of the LM rail, and its compact design with low cross-sectional height allows it to be installed in locations with limited space.

### [Corrosion Prevention]

The Model RSX uses an LM block, LM rail, and balls made of stainless steel, which has high corrosion resistance.

### [Retains Balls]

The Model RSX incorporates a ball-retaining wire that prevents balls from falling out when the LM block is removed from the LM rail, making mounting easy.

---

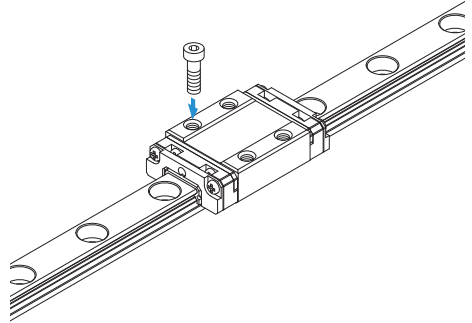
## Types and Features

---

### Model RSX-M

Specification Table⇒ **A1-256**

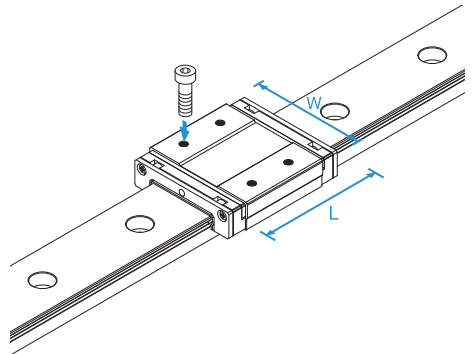
A standard type of RSX.



### Model RSX-WM

Specification Table⇒ **A1-258**

Has a longer overall LM block length (L), a greater width and a larger rated load and permissible moment than RSX-M.



## Flatness of the LM Rail and the LM Block Mounting Surface

Since the Model RSX has Gothic-arch grooves, any precision errors in the mounting surface may negatively affect its operability. Therefore, we recommend using it on mounting surfaces made with high precision.

Table1 Flatness of the LM Rail and the LM Block Mounting Surface

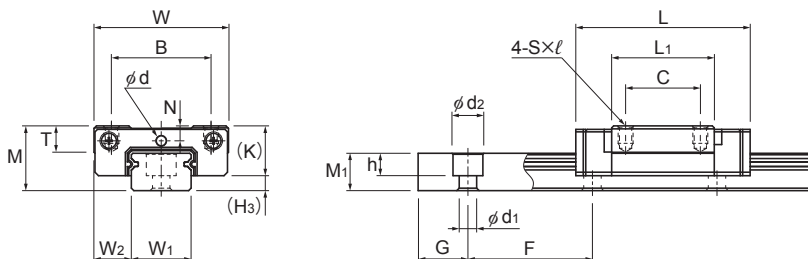
Unit: mm

Model No.	Flatness error
RSX 7	0.025/200
RSX 9	0.035/200
RSX 12	0.050/200
RSX 15	0.060/200

Note1) As there are many cases in which the mounting surface precision is affected by a number of factors, we recommend using 70% or less of the values shown.

Note2) The above figures apply to normal clearances. When using two or more rails with C1 clearance, we recommend using 50% or less of the values shown.

# Model RSX-M



Models RSX7 to 12M

Model No.	Outer dimensions			LM block dimensions										H <sub>s</sub>
	Height	Width	Length	B	C	S × ℓ	L <sub>1</sub>	T	K	N	E	Greasing hole	Grease nipple	
	M	W	L									d		
RSX 7M	8	17	23.4	12	8	M2 × 2.6	13.4	—	6.5	1.7	—	1.2	—	1.5
RSX 9M	10	20	30.8	15	10	M3 × 2.8	19.8	—	7.8	2.4	—	1.6	—	2.2
RSX 12M	13	27	35	20	15	M3 × 3.5	20.6	5.3	10	3	—	2	—	3
RSX 15M	16	32	42.9	25	20	M3 × 4	25.7	5.8	12	3	4	—	PB107	4

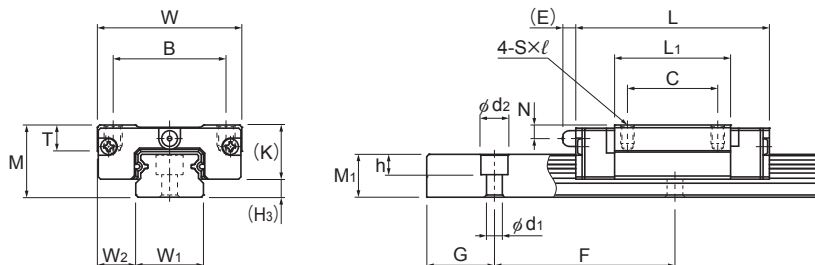
Note) Since stainless steel is used in the LM block, LM rail, and balls, these models are highly resistant to corrosion and environment. Using a greasing hole for anything other than greasing may cause damage.

## Model number coding

<b>2</b>	<b>RSX12M</b>	<b>UU</b>	<b>C1</b>	<b>+220L</b>	<b>P</b>	<b>M</b>	<b>-II</b>
Model number	Contamination protection accessory symbol (*2)	LM rail length (in mm)	Stainless steel LM rail	Symbol for No. of rails used on the same plane (*5)			
No. of LM blocks used on the same rail (*1)	Radial clearance symbol (*3) Normal (No symbol) Light preload (C1)	Accuracy symbol (*4) Normal grade (No Symbol)/High accuracy grade (H)/Precision grade (P)					

(\*1) No symbol for 1 LM block. (\*2) See contamination protection accessories on **A1-516**. (\*3) See **A1-71**. (\*4) See **A1-83**. (\*5) See **A1-13**.

Note) This model number indicates that a single-rail unit constitutes one set (i.e., the required number of sets when 2 rails are used in parallel is 2 at a minimum).



Model RSX15M

Unit: mm

LM rail dimensions							Basic load rating		Static permissible moment N·m*					Mass	
Width	Height	Pitch	Length*	C	C <sub>0</sub>	M <sub>A</sub>	M <sub>B</sub>	M <sub>C</sub>	LM block		LM rail	LM block	LM rail		
									1 block	2 blocks				1 block	2 blocks
W <sub>1</sub>	W <sub>2</sub>	M <sub>1</sub>	F	d <sub>1</sub> × d <sub>2</sub> × h	Max	kN	kN	1 block	2 blocks	1 block	2 blocks	1 block	kg	kg/m	
7	5	4.7	15	2.4 × 4.2 × 2.3	480	1.16	1.54	3.27	23.1	3.77	26.7	5.96	0.008	0.227	
9	5.5	5.5	20	3.5 × 6 × 3.3	1240	2.22	3.06	9.87	57.9	11.4	66.9	14.1	0.018	0.32	
12	7.5	7.5	25	3.5 × 6 × 4.5	2000	3.36	4.21	14.2	92.5	14.2	92.5	27.6	0.037	0.65	
15	8.5	9.5	40	3.5 × 6 × 4.5	2000	5.59	6.78	29	186	29	186	48.1	0.069	0.96	

Note1) The maximum length under "Length\*" indicates the standard maximum length of an LM rail. (See [A1-260](#).)

Static permissible moment\* 1 block: The static permissible moment with one LM block

2 blocks: Static permissible moment when two LM blocks are in close contact with each other

Total block length L

: The total block length L shown in the table is the length with the dust-proof parts (code: UU).

Note2) The basic load rating in the dimension table is for a load in the radial direction. Use Table7 on [A1-59](#) to calculate the load rating for loads in the reverse-radial direction or lateral direction.

- Reference bolt tightening torque when mounting an LM block for model RSX7M is shown in the table below.

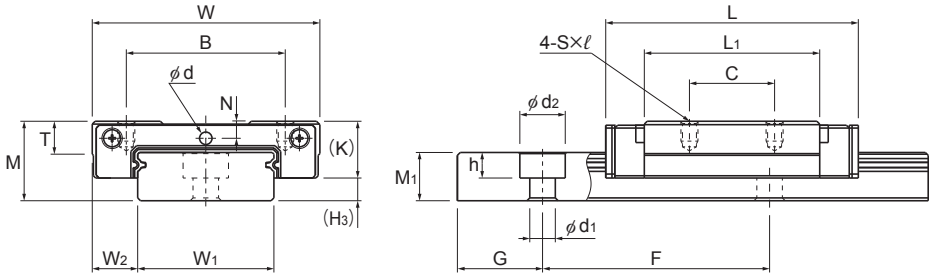
Reference Tightening Torque

Model No.	Model No. of screw	Screw depth (mm)	Reference tightening torque (N·m)*
RSX 7M	M2	2.3	0.4

\* Tightening above the tightening torque affects accuracy.

Be sure to tighten at or below the defined tightening torque.

## Model RSX-WM



Models RSX7 to 12WM

Model No.	Outer dimensions			LM block dimensions										H <sub>3</sub>
	Height	Width	Length	B	C	S×ℓ	L <sub>1</sub>	T	K	N	E	Greasing hole	Grease nipple	
	M	W	L									d		
RSX 7WM	9	25	31	19	10	M3×2.8	20.4	—	7	1.8	—	1.2	—	2
RSX 9WM	12	30	39	21	12	M3×2.8	27	—	8.3	2.3	—	1.6	—	3.7
RSX 12WM	14	40	44.5	28	15	M3×3.5	30.9	4.5	10	3	—	2	—	4
RSX 15WM	16	60	55.5	45	20	M4×4.5	38.9	5.6	12	3	4	—	PB107	4

Note) Since stainless steel is used in the LM block, LM rail, and balls, these models are highly resistant to corrosion and environment. Using a greasing hole for anything other than greasing may cause damage.

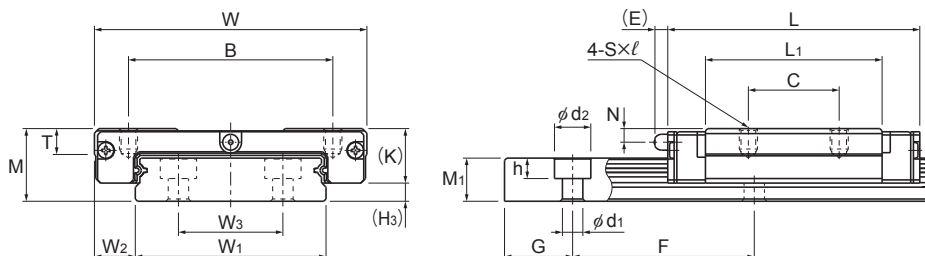
### Model number coding

**2 RSX12WM UU C1 +220L P M - II**

2	RSX12WM	UU	C1	+220L	P	M	- II
Model number	Contamination protection accessory symbol (*2)	LM rail length (in mm)	Stainless steel LM rail	Symbol for No. of rails used on the same plane (*5)			
No. of LM blocks used on the same rail (*1)	Radial clearance symbol (*3) Normal (No symbol) Light preload (C1)	Accuracy symbol (*4) Normal grade (No Symbol)/High accuracy grade (H) Precision grade (P)					

(\*1) No symbol for 1 LM block. (\*2) See contamination protection accessories on **A1-516**.  
(\*3) See **A1-71**. (\*4) See **A1-83**. (\*5) See **A1-13**.

Note) This model number indicates that a single-rail unit constitutes one set (i.e., the required number of sets when 2 rails are used in parallel is 2 at a minimum).



Model RSX15WM

Unit: mm

LM rail dimensions							Basic load rating		Static permissible moment N·m*					Mass	
Width	W <sub>2</sub>	W <sub>3</sub>	Height	Pitch	Length*	C	C <sub>0</sub>	M <sub>A</sub>		M <sub>B</sub>		M <sub>C</sub>	LM block	LM rail	
								1 block	2 blocks	1 block	2 blocks	1 block			kg
14	5.5	—	5.2	30	3.5×6×3.2	480	1.63	2.51	8.08	46.9	9.32	54.2	18.5	0.018	0.54
18	6	—	7.5	30	3.5×6×4.5	1430	2.8	4.28	18.5	99.3	21.4	115	40.5	0.035	1.01
24	8	—	8.5	40	4.5×8×4.5	2000	4.46	6.31	30	171	30	171	79.2	0.075	1.52
42	9	23	9.5	40	4.5×8×4.5	2000	7.43	10.1	61.4	343	61.4	343	211	0.17	2.87

Note1) The maximum length under "Length\*" indicates the standard maximum length of an LM rail. (See [A1-260](#).)

Static permissible moment\* 1 block: The static permissible moment with one LM block

2 blocks: Static permissible moment when two LM blocks are in close contact with each other

Total block length L

: The total block length L shown in the table is the length with the dust-proof parts (code: UU).

Note2) The basic load rating in the dimension table is for a load in the radial direction. Use Table7 on [A1-59](#) to calculate the load rating for loads in the reverse-radial direction or lateral direction.

- Reference bolt tightening torque when mounting an LM block for model RSX7WM is shown in the table below.

Reference Tightening Torque

Model No.	Model No. of screw	Screw depth (mm)	Reference tightening torque (N·m)*
RSX 7WM	M2	2.8	0.4

\* Tightening above the tightening torque affects accuracy.

Be sure to tighten at or below the defined tightening torque.

## Standard Length and Maximum Length of the LM Rail

Table2 shows the standard lengths and the maximum lengths of model RSX variations. If the maximum length of the desired LM rail exceeds them, jointed rails will be used. Contact THK for details. For special rail lengths, it is recommended to use a value corresponding to the G,g dimension from the table. As the G,g dimension increases, this portion becomes less stable, and the accuracy performance is severely impacted.

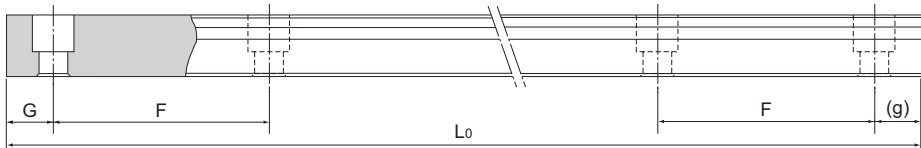


Table2 Standard Length and Maximum Length of the LM Rail for Model RSX

Unit: mm

Model No.	RSX 7	RSX 7W	RSX 9	RSX 9W	RSX 12	RSX 12W	RSX 15	RSX 15W
LM rail standard length ( $L_0$ )	40	50	55	50	70	70	70	110
	55	80	75	80	95	110	110	150
	70	110	95	110	120	150	150	190
	85	140	115	140	145	190	190	230
	100	170	135	170	170	230	230	270
	115	200	155	200	195	270	270	310
	130	260	175	260	220	310	310	430
		290	195	290	245	390	350	550
			275	320	270	470	390	670
			375		320	550	430	790
				370		470		
				470		550		
				570		670		
						870		
Standard pitch F	15	30	20	30	25	40	40	40
G,g	5	10	7.5	10	10	15	15	15
Max length	480	480	1240	1430	2000	2000	2000	2000

Note1) The maximum length varies with accuracy grades. Contact THK for details.

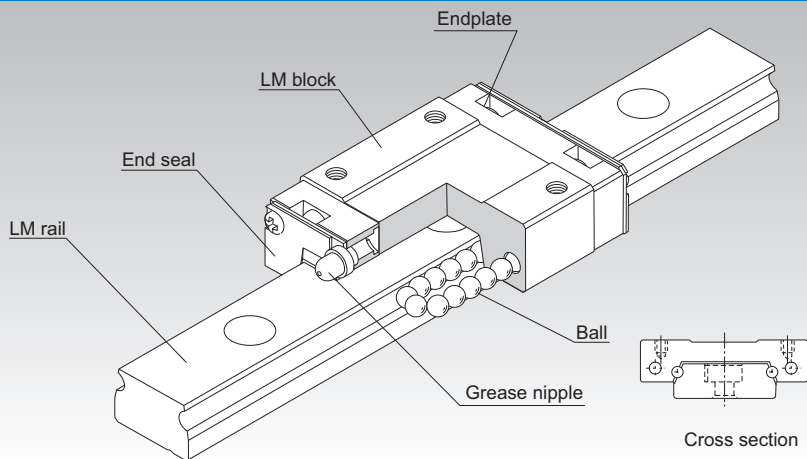
Note2) If jointed rails are not allowed and a greater length than the maximum values above is required, contact THK.





# RSR

## LM Guide Miniature Types Model RSR



**Point of Selection** **A1-10**

**Point of Design** **A1-454**

**Options** **A1-477**

**Model No.** **A1-543**

**Precautions on Use** **A1-549**

**Accessories for Lubrication** **A24-1**

**Mounting Procedure and Maintenance** **B1-89**

Equivalent moment factor **A1-43**

Rated Loads in All Directions **A1-59**

Equivalent factor in each direction **A1-61**

Radial Clearance **A1-72**

Accuracy Standards **A1-83**

Shoulder Height of the Mounting Base and the Corner Radius **A1-469**

Permissible Error of the Mounting Surface **A1-471**

Flatness of the Mounting Surface **A1-472**

Dimensions of Each Model with an Option Attached **A1-491**

---

## Structure and Features

---

With models RSR and RSR-W, balls roll in two rows of raceways precision-ground on an LM rail and an LM block, and endplates incorporated in the LM block allow the balls to circulate. Since balls circulate in a compact structure, the LM Block is able to provide infinite straight motion and thus infinite stroke.

The LM block is designed to have a shape with high rigidity in a limited space, and in combination with large-diameter balls, demonstrates high rigidity in all directions.

### [Ultra-Compact]

The absence of cage displacement, a problem that cross-roller guides and types of ball slides with finite stroke tend to cause, make these models highly reliable LM systems.

### [Capable of Receiving a Load in Any Direction]

These models are capable of receiving loads in all directions, and a single-rail guide can adequately operate under a small moment load. Model RSR-W, in particular, has a greater number of effective balls and a broader LM rail to increase its rigidity against a moment. Thus, it achieves a more compact structure and more durable straight motion than a pair of linear bushes in parallel use.

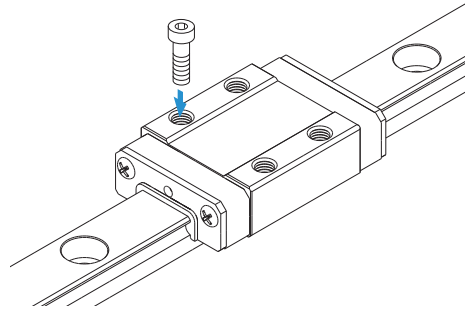
### [Stainless Steel Type also Available]

A special type where LM block, LM rail and balls are made of stainless steel is also available.

## Types and Features

### Model RSR-M

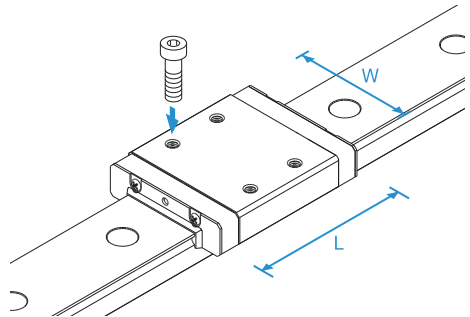
Specification Table⇒[A1-268](#)



### Models RSR-WM/WVM

These models have greater overall LM block lengths (L), broader widths (W) and greater rated loads and permissible moments than standard types.

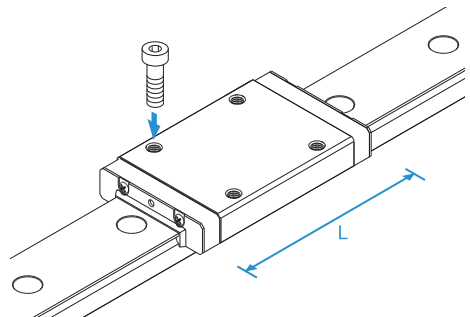
Specification Table⇒[A1-268](#)



### Model RSR-N

It has a longer overall LM block length (L) and a greater rated load than standard types.

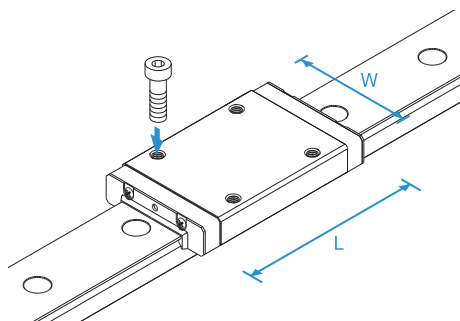
Specification Table⇒[A1-268](#)



## Model RSR-WN

It has a longer overall LM block length (L), a greater rated load than standard types. Achieves the greatest load capacity among the miniature type LM Guide models.

Specification Table → **A1-268**



LM Guide

---

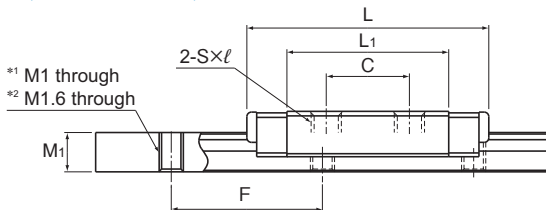
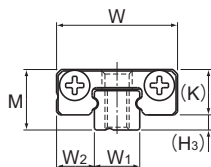
## Accuracy of the Mounting Surface

---

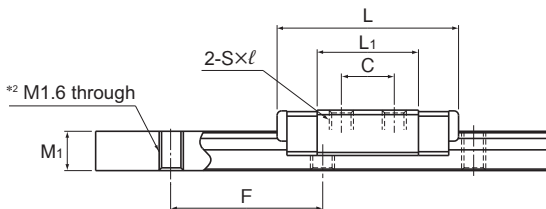
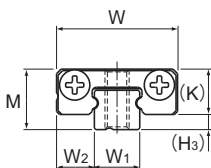
Model RSR uses Gothic arch grooves in the ball raceways. When two rails of RSR are used in parallel, any error in accuracy of the mounting surface may increase rolling resistance and negatively affect the smooth motion of the guide. For specific accuracy of the mounting surface, see [Flatness of the Mounting Surface] on **A1-472**.



## Models RSR-M, RSR-N, RSR-WM, RSR-WN and RSR-WVM



Models RSR2N, RSR3N



Model RSR3M

Model No.	Outer dimensions			LM block dimensions											H <sub>3</sub>
	Height	Width	Length	B	C	S × l	L <sub>1</sub>	T	K	N	E	Greasing hole d	Grease nipple		
	M	W	L												
RSR 2N RSR 2WN	3.2 4	6 10	12.4 16.7	—	4 6.5	M1.4 × 1.1 M2 × 1.3	8.84 11.9	—	2.5 3	—	—	—	—	0.7 1	
RSR 3M RSR 3N	4	8	12 16	—	3.5 5.5	M1.6 × 1.3 M2 × 1.3	6.7 10.7	—	3	—	—	—	—	1	
RSR 3WM RSR 3WN	4.5	12	14.9 19.9	—	4.5 8	M2 × 1.7	8.5 13.3	—	3.5	0.8	—	0.8	—	1	
RSR 14WVM	15	50	50	35	18	M4 × 4.5	34.3	6	11.5	3	4	—	PB107	3.5	

Note) Models RSR2 and 3 do not have an oil hole. When lubricating them, apply a lubricant directly to the LM rail raceways.  
No contamination protection seal for RSR2N/2WN/3M/3N.

### Model number coding

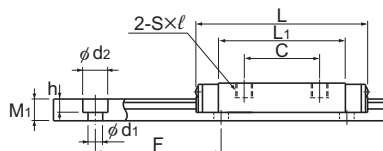
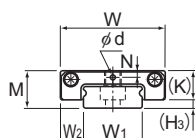
<b>2</b>	<b>RSR3W M</b>	<b>UU</b>	<b>C1</b>	<b>+80L</b>	<b>P</b>	<b>M</b>	<b>-II</b>
No. of LM blocks used on the same rail (*1)	Model number	Contamination protection accessory symbol (*2)	LM rail length (in mm)	Stainless steel LM rail	Accuracy symbol (*4)	Symbol for No. of rails used on the same plane (*5)	
		Radial clearance symbol (*3) Normal (No symbol) Light preload (C1)			Normal grade (No Symbol)/Precision grade (P)		

(\*1) No symbol for 1 LM block. (\*2) See contamination protection accessories on **A1-516**.

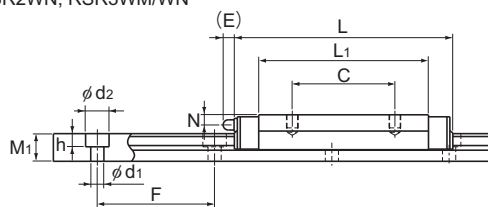
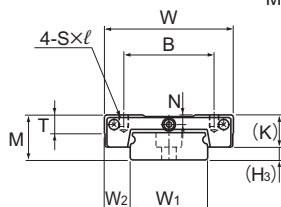
(\*3) See **A1-72**. (\*4) See **A1-83**. (\*5) See **A1-13**.

Note) This model number indicates that a single-rail unit constitutes one set. (i.e., required number of sets when 2 rails are used in parallel is 2 at a minimum.)




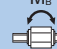



Models RSR2WN, RSR3WM/WN



Model RSR14WVM

Unit: mm

	LM rail dimensions						Basic load rating		Static permissible moment $N \cdot m^*$					Mass		
	Width		Height		Pitch	Length*	C	$C_0$						LM block kg	LM rail kg/m	
	$W_1$	$W_2$	$M_1$	F	$d_1 \times d_2 \times h$				1 block	Double blocks	1 block	Double blocks	1 block			
						Max	kN	kN								
	2 4	0 -0.03	2 3	2 2.6	8 10	— <sup>1</sup> 1.8×2.8×0.75	200	0.214 0.395	0.384 0.682	0.564 1.336	2.994 7.32	0.564 1.336	2.994 7.32	0.442 1.501	0.0008 0.0020	0.029 0.075
	3	0 -0.02	2.5	2.6	10	— <sup>2</sup>	220	0.18 0.3	0.27 0.44	0.293 0.726	2.11 4.33	0.293 0.726	2.11 4.33	0.45 0.73	0.0011 0.0016	0.055
	6	0 -0.02	3	2.6	15	2.4×4×1.5	335	0.25 0.39	0.47 0.75	0.668 1.57	4.44 9.06	0.668 1.57	4.44 90.6	1.48 2.36	0.002 0.003	0.12
	30	0 -0.05	10	9	40	4.5×7.5×5.3	1800	6.01	9.08	43.2	233	38.2	208	110	0.096	2

Note1) The maximum length under "Length\*" indicates the standard maximum length of an LM rail. (See [A1-270](#).)

Static permissible moment\* 1 block: the static permissible moment with one LM block

Double blocks: static permissible moment when two LM blocks are in close contact with each other

Total block length L

The total block length L shown in the table is the length with the dust-proof parts (code: UU).

The M in the model number symbol indicates that the LM block, LM rail and balls are made of stainless steel.

The stainless steel provides excellent corrosion and environmental resistance.

Please be aware that balls will fall out if the LM block is removed from the LM rail.

Note2) The basic load rating in the dimension table is for a load in the radial direction. Use Table7 on [A1-59](#) to calculate the load rating for loads in the reverse radial direction or lateral direction.

### ● Recommended tightening torque when mounting the LM rail/block

Table1 shows recommended bolt tightening torques when mounting the LM block and LM rail of models RSR2 and RSR3.

Table1 Recommended Tightening Torques of Mounting Bolts

Model No.	Model No. of screw	Recommended tightening torque (N·m)		Remarks
		Block	Rail	
RSR 2N	M1	0.09	0.03	Flathead machine screw designed for use with precision equipment
RSR 2WN	M1.6	0.28	0.138	
RSR 3M	M1.6	0.09	0.09	
RSR 3N	M2	0.19	0.19	Austenite stainless steel hexagonal-socket-head type bolts
		0.19	—	
RSR 3WM/3WN	M2	—	0.25	Cross-recessed head screws for precision equipment (No. 0 pan head screw, class 1)

## Standard Length and Maximum Length of the LM Rail

Table2 shows the standard and maximum lengths of the RSR model rail.

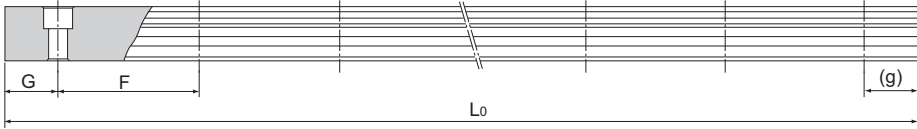


Table2 Standard Length and Maximum Length of the LM Rail for Model RSR/RSR-W

Unit: mm

Model No.	RSR2N	RSR2WN	RSR3	RSR3W	RSR14W
LM rail standard length (L <sub>0</sub> )	32	40	30	40	110
	40	60	40	55	150
	56	70	60	70	190
	80	80	80		230
	104	100	100		270
		180			310
Standard pitch F	8	10	10	15	40
G,g	4	5	5	5	15
Max length	200	200	220	335	1800

Note1) The maximum length varies with accuracy grades. Contact THK for details.

Note2) The LM rail mounting hole of model RSR3 is an M1.6 through hole.

## Prevention of LM block from falling off of LM rail

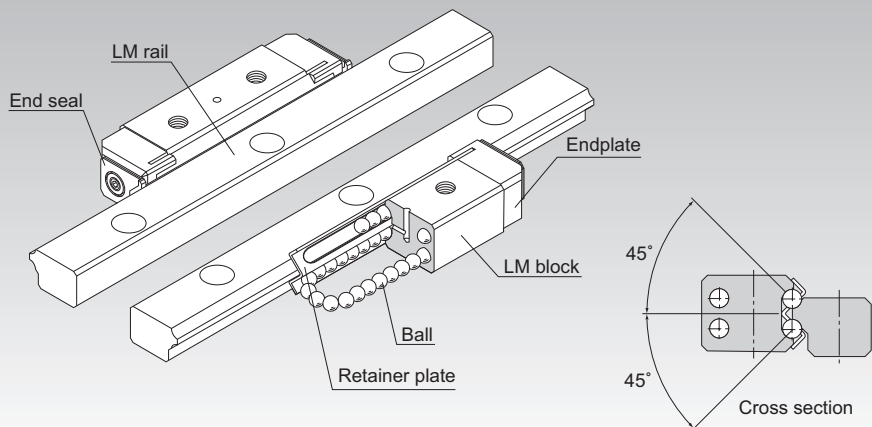
In model RSR/RSR-W, the balls fall out if the LM block comes off the LM rail.

For this reason, LM Guide assemblies are delivered with a part which prevents the LM block from coming off the rail. If you remove this part when using the product, please take precautions to avoid overrunning the blocks off of the rail.



# HR

## LM Guide Separate Type (4-way Equal Load) Model HR



**Point of Selection** **A1-10**

**Point of Design** **A1-454**

**Options** **A1-477**

**Model No.** **A1-543**

**Precautions on Use** **A1-549**

**Accessories for Lubrication** **A24-1**

**Mounting Procedure and Maintenance** **B1-89**

Equivalent moment factor **A1-43**

Rated Loads in All Directions **A1-59**

Equivalent factor in each direction **A1-61**

Example of Clearance Adjustment **A1-275**

Accuracy Standards **A1-81**

Shoulder Height of the Mounting Base and the Corner Radius **A1-468**

Permissible Error of the Mounting Surface **A1-471**

Dimensions of Each Model with an Option Attached **A1-491**

## Structure and Features

Balls roll in two rows of raceways precision-ground on an LM rail and an LM block, and endplates incorporated in the LM block allow the balls to circulate. Since retainer plates hold the balls, they do not fall off.

Because of the angular contact structure where two rows of balls rolling on the LM rail each contact the raceway at 45°, the same load can be applied in all directions (radial, reverse radial and lateral directions) if a set of LM rails and LM block is mounted on the same plane (i.e., when two LM rails are combined with an LM block on the same plane). Furthermore, since the sectional height is low, a compact and stable linear guide mechanism is achieved.

This structure makes clearance adjustment relatively easy, and is highly capable of absorbing a mounting error.

### [Easy Installation]

Model HR is easier to adjust a clearance and achieve more accuracy than cross-roller guides.

### [Self-adjustment Capability]

Even if the parallelism or the level between the two rails is poorly established, the self-adjustment capability through front-to-front configuration of THK's unique circular-arc grooves (DF set) enables a mounting error to be absorbed and smooth straight motion to be achieved even under a preload.

### [4-way Equal Load]

When the two rails are mounted in parallel, each row of balls is placed at a contact angle of 45° so that the rated loads applied to the LM block are uniform in the four directions (radial, reverse radial and lateral directions), enabling the LM Guide to be used in various orientations and in applications.

### [Sectional Dimensions Approximate to Cross-roller Guides]

Since model HR utilizes endcaps for recirculation, cage/retainer creep cannot occur as with cross-roller guides. In addition, the sectional shape of model HR is approximate to that of cross-roller guides, therefore, its components are dimensionally interchangeable with that of cross-roller guides.

### [Stainless Steel Type also Available]

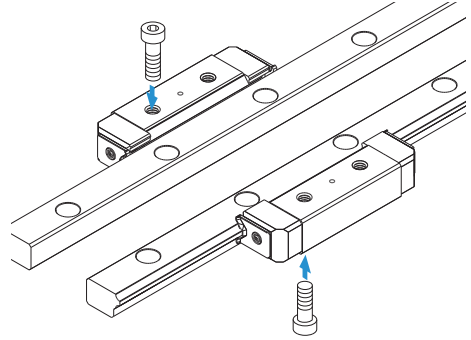
A special type whose LM block, LM rail and balls are made of stainless steel is also available.

## Types and Features

### Model HR - Heavy-load Type

The LM blocks can be mounted from the top and the bottom.

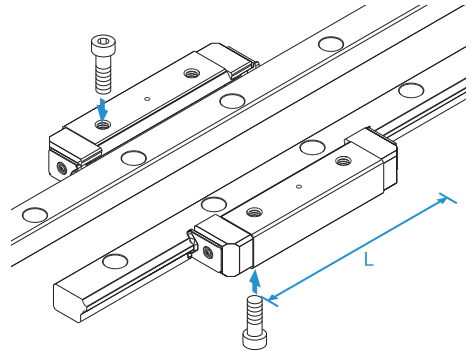
Specification Table⇒ **A1-278**



### Model HR-T-Ultra-heavy Load Type

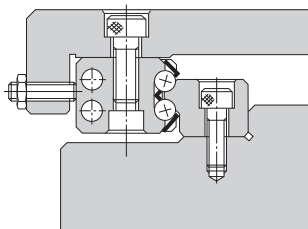
Has the same cross-sectional shape as model HR, but has a greater overall LM block length (L) and a higher load rating.

Specification Table⇒ **A1-278**

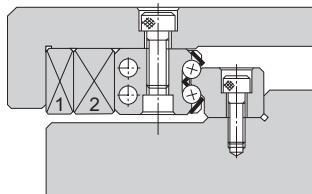


## Example of Clearance Adjustment

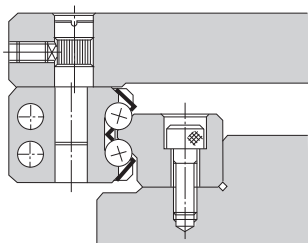
Design the clearance adjustment bolt so that it presses the center of the side face of the LM block.



- a. Using an adjustment screw  
Normally, an adjustment screw is used to press the LM block.



- b. Using tapered gibs  
When high accuracy and high rigidity are required, use tapered gibs 1) and 2).



- c. Using an eccentric pin  
A type using an eccentric pin to adjust the clearance is also available.

## Comparison of Model Numbers with Cross-roller Guides

Each type of LM Guide model HR has sectional dimensions approximate to that of the corresponding cross roller guide model.

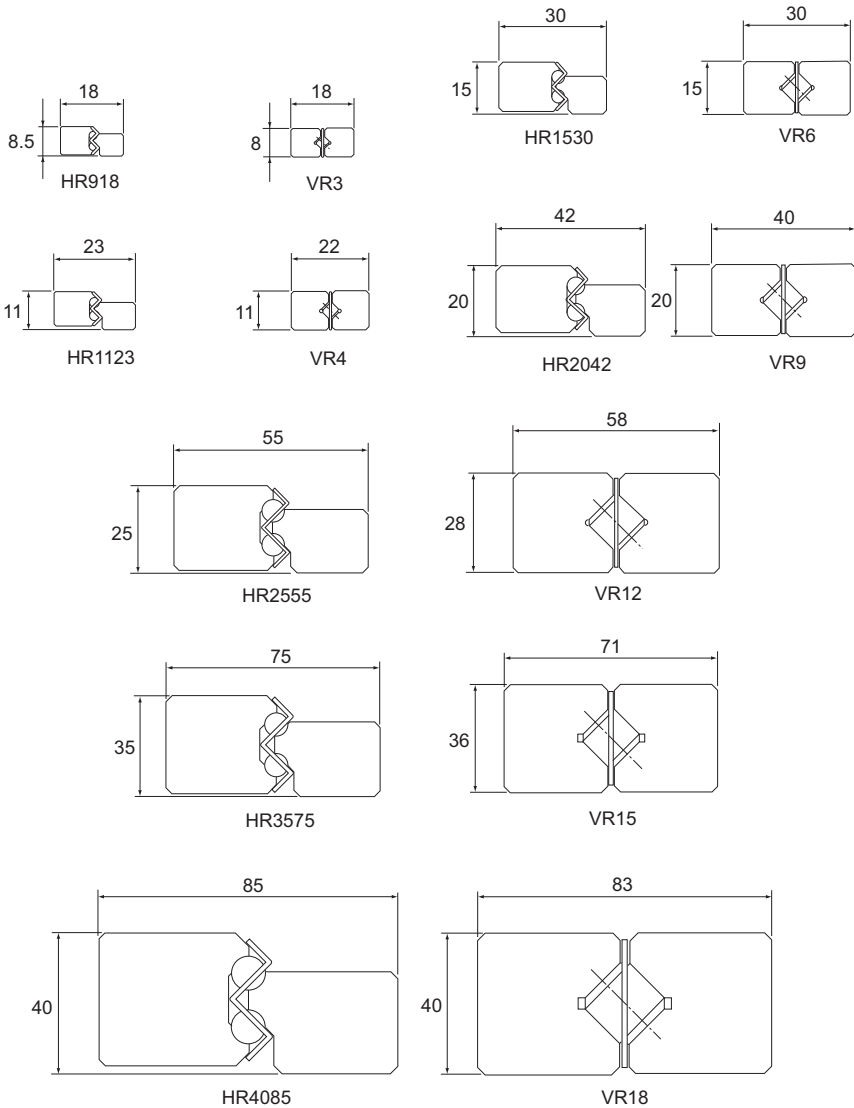
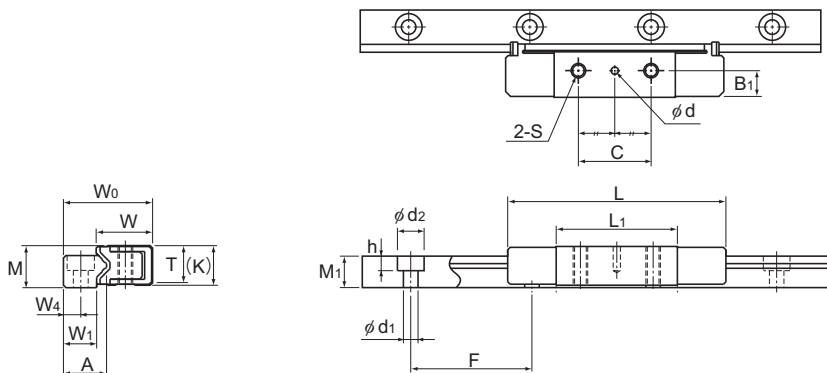


Fig.1





## Models HR, HR-T, HR-M and HR-TM



Models HR918 and 918M

Model No.	Outer dimensions				LM block dimensions									
	Height M	Width W	$W_0$	Length L	$B_1$	C	H	S	$h_2$	$L_1$	T	K	Greasing hole d	$D_1$
HR 918 HR 918M	8.5	11.4	18	45	5.5	15	—	M3	—	25	7.5	8	1.5	—
HR 1123 HR 1123M	11	13.7	23	52	7	15	2.55	M3	3	30	9.5	10	2	5
HR 1530 HR 1530M	15	19.2	30	69	10	20	3.3	M4	3.5	40	13	14	2	6.5
HR 2042 HR 2042M	20	26.3	42	91.6	13	35	5.3	M6	5.5	56.6	17.5	19	3	10
HR 2042T HR 2042TM	20	26.3	42	110.7	13	50	5.3	M6	5.5	75.7	17.5	19	3	10
HR 2555 HR 2555M	25	33.3	55	121	16	45	6.8	M8	7	80	22.5	24	3	11
HR 2555T HR 2555TM	25	33.3	55	146.4	16	72	6.8	M8	7	105.4	22.5	24	3	11

### Model number coding

**2 HR2555 UU M +1000L P T M**

Model number  
No. of LM blocks used on the same rail

Contamination protection accessory symbol (\*1)

Stainless steel LM block

LM rail length (in mm)

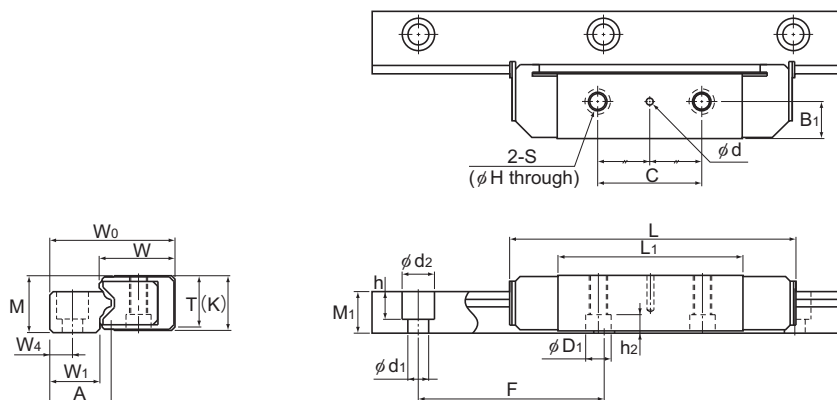
Symbol for LM rail jointed use

Stainless steel LM rail

Accuracy symbol (\*2)  
Normal grade (No Symbol)/High accuracy grade (H)  
Precision grade (P)/Super precision grade (SP)  
Ultra precision grade (UP)

(\*1) See contamination protection accessory on **A1-516**. (\*2) See **A1-81**.

Note) One set of model HR means a combination of two LM rails and an LM blocks used on the same plane.



Models HR1123 to 2555M/T/TM

Unit: mm

LM rail dimensions								Basic load rating		Static permissible moment kN·m*				Mass	
Width	W <sub>4</sub>	A	Height	Pitch	Pitch	Length*	C	C <sub>0</sub>	M <sub>A</sub>		M <sub>B</sub>		LM block	LM rail	
									1 block	Double blocks	1 block	Double blocks			
W <sub>1</sub>			M <sub>1</sub>	F	d <sub>1</sub> × d <sub>2</sub> × h	Max	kN	kN					kg	kg/m	
6.7	3.5	8.7	6.5	25	3 × 5.5 × 3	300 (300)	2.82	3.48	0.0261	0.194	0.0261	0.194	0.01	0.3	
9.5	5	11.6	8	40	3.5 × 6 × 4.5	500 (500)	4.09	4.93	0.0472	0.311	0.0472	0.311	0.03	0.5	
10.7	6	13.5	11	60	3.5 × 6 × 4.5	1600 (800)	7.56	8.77	0.112	0.733	0.112	0.733	0.08	1	
15.6	8	19.5	14.5	60	6 × 9.5 × 8.5	2200 (1000)	17	18.2	0.325	2.01	0.325	2.01	0.13	1.8	
15.6	8	19.5	14.5	60	6 × 9.5 × 8.5	2200 (1000)	20.8	24.3	0.56	3.16	0.56	3.16	0.26	1.8	
22	10	27	18	80	9 × 14 × 12	3000 (1000)	33.2	35.1	0.897	5.04	0.897	5.04	0.43	3.2	
22	10	27	18	80	9 × 14 × 12	3000 (1000)	40	45.9	1.49	7.8	1.49	7.8	0.5	3.2	

Note) The maximum length under "Length\*" indicates the standard maximum length of an LM rail. (See **A1-282**.)

Static permissible moment\* 1 block: the static permissible moment value with two LM rails, one LM block per rail, used on the same plane

Double blocks: static permissible moment when two LM blocks are in close contact with each other on two LM rails used on the same plane

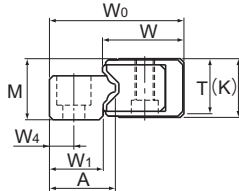
A moment in the M<sub>B</sub> direction can be received if two rails are used in parallel. However, since it depends on the distance between the two rails, it has been omitted.

Total block length L : The total block length L shown in the table is the length with the dust-proof parts (code: UU).

The M in the model number symbol indicates that the LM block, LM rail and balls are made of stainless steel.

The stainless steel provides excellent corrosion and environmental resistance.

## Models HR, HR-T, HR-M and HR-TM



Model No.	Outer dimensions				LM block dimensions									
	Height	Width		Length									Greasing hole	
	M	W	W <sub>0</sub>	L	B <sub>1</sub>	C	H	S	h <sub>2</sub>	L <sub>1</sub>	T	K	d	D <sub>1</sub>
HR 3065 HR 3065T	30	40.3	65	145 173.5	19	50 80	8.6	M10	9	90 118.5	27.5	29	4	14
HR 3575 HR 3575T	35	44.9	75	154.8 182.5	21.5	60 92.5	10.5	M12	12	103.8 131.5	32	34	4	18
HR 4085 HR 4085T	40	50.4	85	177.8 215.9	24	70 110	12.5	M14	13	120.8 158.9	36	38	4	20
HR 50105 HR 50105T	50	63.4	105	227 274.5	30	85 130	14.5	M16	15.5	150 197.5	45	48	5	23
HR 60125	60	74.4	125	329	35	160	18	M20	18	236	55	58	5	26

### Model number coding

**2 HR4085T UU +1500L P T**

Model number  
No. of LM blocks used on the same rail

Contamination protection accessory symbol (\*1)

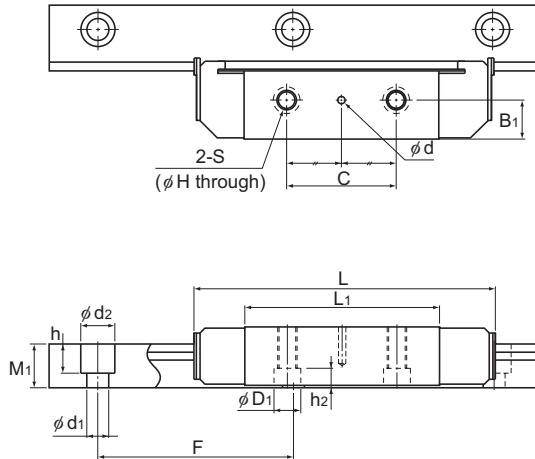
LM rail length (in mm)

Symbol for LM rail jointed use

Accuracy symbol (\*2)  
Normal grade (No Symbol)/High accuracy grade (H)  
Precision grade (P)/Super precision grade (SP)  
Ultra precision grade (UP)

(\*1) See contamination protection accessory on **A1-516**. (\*2) See **A1-81**.

Note) One set of model HR means a combination of two LM rails and an LM blocks used on the same plane.



Unit: mm

LM rail dimensions							Basic load rating		Static permissible moment kN·m*				Mass	
Width	W <sub>4</sub>	A	Height	Pitch	F	Length*	C	C <sub>0</sub>	M <sub>A</sub>		M <sub>B</sub>		LM block	LM rail
									1 block	Double blocks	1 block	Double blocks		
25	12	31.5	22.5	80	9×14×12	3000	42.6 51.5	44.4 58.1	1.27 2.12	7.71 11.7	1.27 2.12	7.71 11.7	0.7 0.9	4.6
30.5	14.5	37	26	105	11×17.5×14	3000	53.5 64.4	54.8 71.7	1.75 2.91	10.1 15.2	1.75 2.91	10.1 15.2	1.05 1.4	6.4
35	16	42.5	29	120	14×20×17	3000	78.8 95.1	78.9 103	3.02 5.02	16.6 25.7	3.02 5.02	16.6 25.7	1.53 1.7	8
42	20	51.5	37	150	18×26×22	3000	127 153	123 161	5.89 9.81	33.1 51.3	5.89 9.81	33.1 51.3	3.06 3.5	12.1
51	25	65	45	180	22×32×25	3000	226	232	16	89.5	16	89.5	7.5	19.3

Note) The maximum length under "Length\*" indicates the standard maximum length of an LM rail. (See **A1-282**.)

Static permissible moment\* 1 block: the static permissible moment value with two LM rails, one LM block per rail, used on the same plane

Double blocks: static permissible moment when two LM blocks are in close contact with each other on two LM rails used on the same plane

A moment in the M<sub>C</sub> direction can be received if two rails are used in parallel. However, since it depends on the distance between the two rails, it has been omitted.

Total block length L : The total block length L shown in the table is the length with the dust-proof parts (code: UU).

The M in the model number symbol indicates that the LM block, LM rail and balls are made of stainless steel.

The stainless steel provides excellent corrosion and environmental resistance.

## Standard Length and Maximum Length of the LM Rail

Table1 shows the standard lengths and the maximum lengths of model HR variations. If the maximum length of the desired LM rail exceeds them, jointed rails will be used. Contact THK for details. For special rail lengths, it is recommended to use a value corresponding to the G,g dimension from the table. As the G,g dimension increases, this portion becomes less stable, and the accuracy performance is severely impacted.

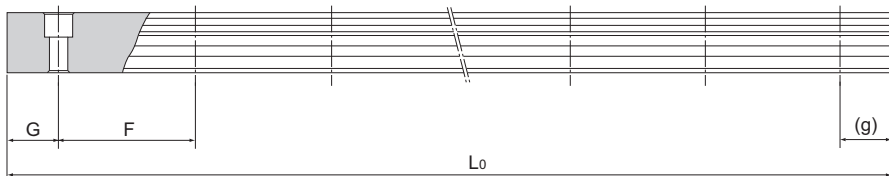


Table1 Standard Length and Maximum Length of the LM Rail for Model HR

Unit: mm

Model No.	HR 918	HR 1123	HR 1530	HR 2042	HR 2555	HR 3065	HR 3575	HR 4085	HR 50105	HR 60125
LM rail standard length ( $L_0$ )	70	110	160	220	280	280	570	780	1270	1530
	120	230	280	280	440	440	885	1020	1570	1890
	220	310	340	340	600	600	1200	1260	2020	2250
	295	390	460	460	760	760	1620	1500	2620	2610
			580	640	1000	1000	2040	1980		
					1240	1240	2460	2580		
Standard pitch F	25	40	60	60	80	80	105	120	150	180
G,g	10	15	20	20	20	20	22.5	30	35	45
Max length	300 (300)	500 (500)	1600 (800)	2200 (1000)	3000 (1000)	3000	3000	3000	3000	3000

Note1) The maximum length varies with accuracy grades. Contact THK for details.

Note2) If jointed rails are not allowed and a greater length than the maximum values above is required, contact THK.

Note3) The figures in the parentheses indicate the maximum lengths of stainless steel made models.

## Accessories

### [Dedicated Mounting Bolt]

Normally, when mounting the LM block to adjust a clearance, use the tapped hole provided on the LM block to secure it as shown in Fig.2.

The holes of the bolt ( $d_1$  and  $D_1$ ) must be machined so that they are greater by the adjustment allowance.

If it is inevitable to use the mounting method as indicated by Fig.3 for a structural reason, the dedicated mounting bolt as shown in Fig.4 is required for securing the LM block. Be sure to specify that the dedicated mounting bolt is required when ordering the LM Guide.

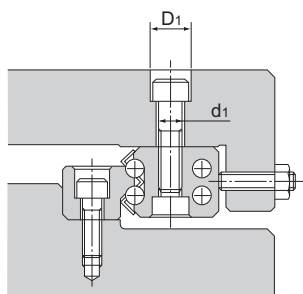


Fig.2

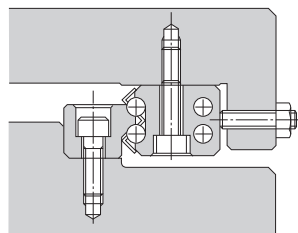


Fig.3

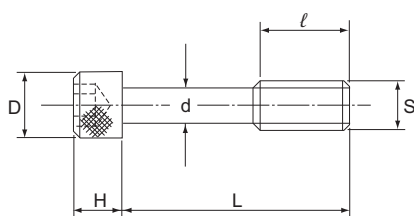


Fig.4

Table2 Dedicated Mounting Bolt

Unit: mm

Model No.	S	d	D	H	L	ℓ	Supported model number
B 3	M3	2.4	5.5	3	17	5	HR 1530
B 5	M5	4.1	8.5	5	22	7	HR 2042
B 6	M6	4.9	10	6	28	9	HR 2555
B 8	M8	6.6	13	8	34	12	HR 3065
B 10	M10	8.3	16	10	39	15	HR 3575
B 12	M12	10.1	18	12	45	18	HR 4085
B 14	M14	11.8	21	14	55	21	HR 50105
B 16	M16	13.8	24	16	66	24	HR 60125

---

## Greasing Hole

---

### [Lubrication for Model HR]

The LM block has a greasing hole in the center of its top face. To provide lubrication through this hole, the table must be machined to also have a greasing hole as shown in Fig.5 and attach a grease nipple or the like. When using oil lubrication, it is necessary to identify the lubrication route. Contact THK for details.

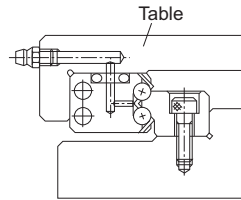


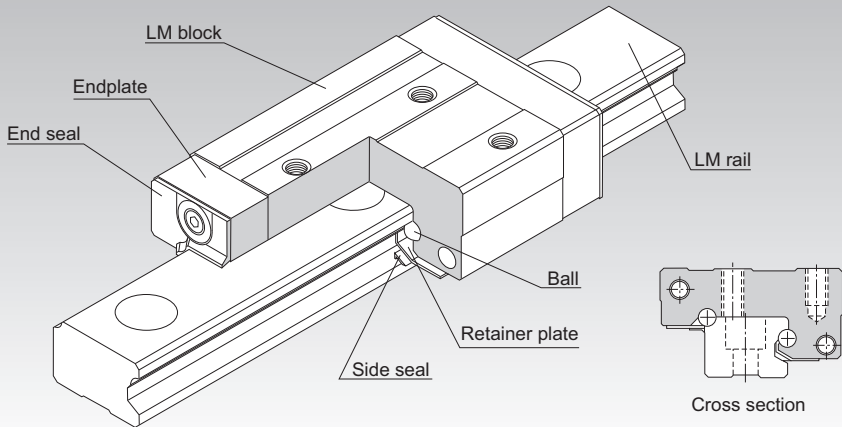
Fig.5 Example of Machining a Greasing Hole





# GSR

## LM Guide Separate Type (Radial) Model GSR



<b>Point of Selection</b>	<b>A1-10</b>
<b>Point of Design</b>	<b>A1-454</b>
<b>Options</b>	<b>A1-477</b>
<b>Model No.</b>	<b>A1-543</b>
<b>Precautions on Use</b>	<b>A1-549</b>
<b>Accessories for Lubrication</b>	<b>A24-1</b>
<b>Mounting Procedure and Maintenance</b>	<b>B1-89</b>
Equivalent moment factor	<b>A1-43</b>
Rated Loads in All Directions	<b>A1-59</b>
Equivalent factor in each direction	<b>A1-61</b>
Example of Clearance Adjustment	<b>A1-289</b>
Accuracy Standards	<b>A1-82</b>
Shoulder Height of the Mounting Base and the Corner Radius	<b>A1-468</b>
Permissible Error of the Mounting Surface	<b>A1-471</b>
Dimensions of Each Model with an Option Attached	<b>A1-491</b>

---

## Structure and Features

---

Balls roll in two rows of raceways precision-ground on an LM rail and an LM block, and endplates incorporated in the LM block allow the balls to circulate. Since retainer plates hold the balls, they do not fall off.

As the top face of the LM block is inclined, a clearance is eliminated and an appropriate preload is applied simply by securing the LM block with mounting bolts.

Model GSR has a special contact structure using circular-arc grooves. This increases self-adjusting capability and makes GSR an optimal model for places associated with difficulty establishing high accuracy and for general industrial machinery.

\* Model GSR cannot be used in single-axis applications.

### [Interchangeability]

Both the LM block and LM rail are interchangeable and can be stored separately. Therefore, it is possible to store a long-size LM rail and cut it to a desired length before using it.

### [Compact]

Since model GSR has a low center of gravity structure with a low overall height, the machine can be downsized.

### [Capable of Receiving a Load in any Direction]

The ball contact angle is designed so that this model can receive a load in any direction. As a result, it can be used in places where a reverse radial load, lateral load or a moment in any direction is applied.

---

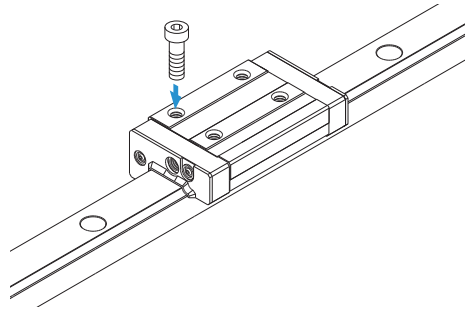
## Types and Features

---

### Model GSR-T

This model is a standard type.

Specification Table⇒ **A1-290**

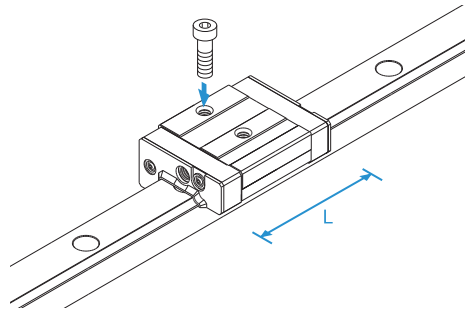


---

### Model GSR-V

A space-saving type that has the same cross-sectional shape as GSR-T, but has a shorter overall LM block length (L).

Specification Table⇒ **A1-290**



## Example of Clearance Adjustment

By providing a shoulder maybe on the side face of each LM block and pressing either LM block with a bolt, a preload is applied and the rigidity is increased.

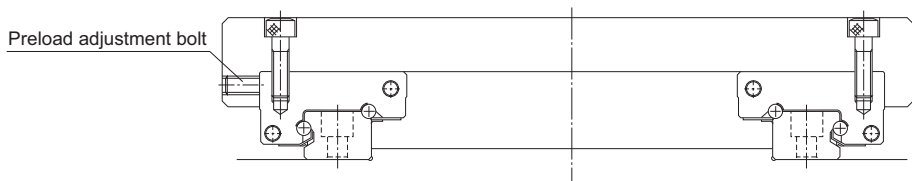
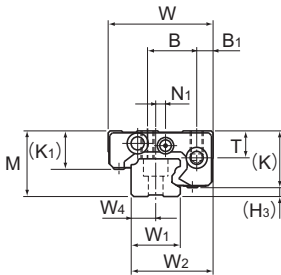
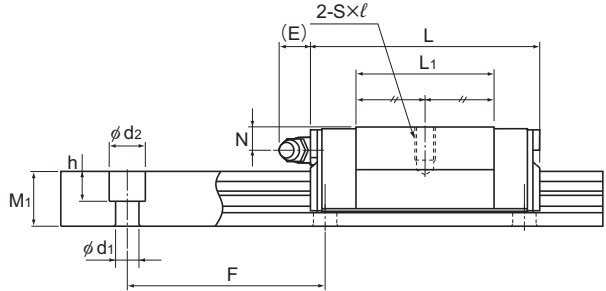


Fig.1 Example of Adjusting a Preload with a Push Bolt

## Models GSR-T and GSR-V



Model GSR15T/V



Models GSR15 to 25V

Model No.	Outer dimensions			LM block dimensions													Grease nipple	H <sub>3</sub>
	Height	Width	Length	B <sub>1</sub>	B	C	S×ℓ	L <sub>1</sub>	T	K	K <sub>1</sub>	N	N <sub>1</sub>	E				
	M	W	L															
GSR 15V GSR 15T	20	32	47.1 59.8	5	15	— 26	M4×7	27.5 40.2	8.25	16.8	12	4.5	3	5.5	PB107	3.2		
GSR 20V GSR 20T	24	43	58.1 74	7	20	— 30	M5×8	34.3 50.2	9.7	20.6	13.6	5	—	12	B-M6F	3.4		
GSR 25V GSR 25T	30	50	69 88	7	23	— 40	M6×10	41.2 60.2	12.7	25.4	16.8	7	—	12	B-M6F	4.6		
GSR 30T	33	57	103	8	26	45	M8×12	70.3	14.6	28.5	18	7	—	12	B-M6F	4.5		
GSR 35T	38	68	117	9	32	50	M8×15	80.3	15.6	32.5	20.5	8	—	12	B-M6F	5.5		

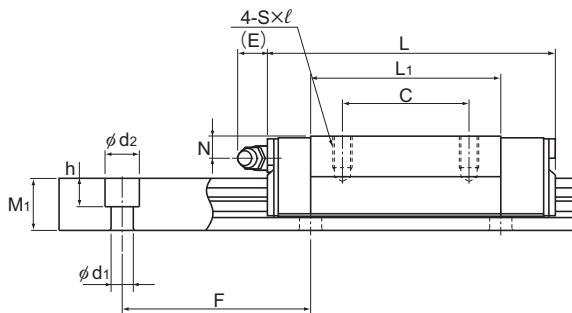
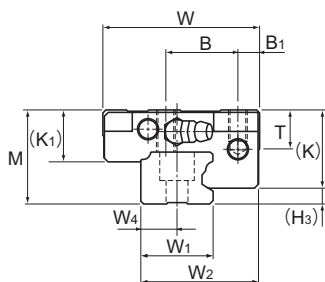
### Model number coding

Combination of LM rail and LM block

<b>GSR</b>	<b>25</b>	<b>T</b>	<b>2</b>	<b>UU</b>	<b>+1060L</b>	<b>H</b>	<b>T</b>	<b>K</b>
Model number	Type of LM block	No. of LM blocks used on the same rail	Contamination protection accessory symbol (*1)	LM rail length (in mm)	Accuracy symbol (*2) Normal grade (No Symbol)/High accuracy grade (H) Precision grade (P)	Symbol for LM rail jointed use	Symbol for tapped-hole LM rail type	

(\*1) See contamination protection accessory on **A1-516**. (\*2) See **A1-82**.

Note) One set of model GSR: This model number indicates that a single-rail unit constitutes one set.



Models GSR20 to 35T, Models GSR20V and 25V

Models GSR15 to 35T

Unit: mm

LM rail dimensions							Basic load rating		Static permissible moment kN·m*				Mass	
Width	W <sub>1</sub>	W <sub>2</sub>	W <sub>4</sub>	Height	Pitch	Length*	C	C <sub>0</sub>	M <sub>A</sub>		M <sub>B</sub>		LM block	LM rail
									1 block	Double blocks	1 block	Double blocks		
15	25	7.5	11.5	60	4.5×7.5×5.3	2000	6.51 8.42	6.77 9.77	0.0305 0.0606	0.19 0.337	0.0264 0.0523	0.165 0.29	0.08 0.13	1.2
20	33	10	13	60	6×9.5×8.5	3000	10.5 13.6	10.6 15.3	0.06 0.118	0.368 0.652	0.052 0.102	0.318 0.562	0.17 0.25	1.8
23	38	11.5	16.5	60	7×11×9	3000	15.5 20	15.2 22	0.102 0.205	0.625 1.11	0.0891 0.176	0.541 0.961	0.29 0.5	2.6
28	44.5	14	19	80	9×14×12	3000	27.8	29.9	0.325	1.77	0.28	1.52	0.6	3.6
34	54	17	22	80	11×17.5×14	3000	37	39.1	0.485	2.63	0.419	2.27	1	5

Note1) The maximum length under "Length\*" indicates the standard maximum length of an LM rail. (See [A1-292](#).)

Static permissible moment\* 1 block: the static permissible moment with one LM block

Double blocks: static permissible moment when two LM blocks are in close contact with each other

A moment in the M<sub>B</sub> direction can be received if two rails are used in parallel. However, since it depends on the distance between the two rails, it has been omitted.

Total block length L

: The total block length L shown in the table is the length with the dust proof parts, code UU or SS.

If other contamination protection accessories or lubricant equipment are installed, the total block length will increase. (See [A1-491](#) or [A1-512](#))

For oil lubrication, be certain to contact THK with the mounting orientation.

(Mounting orientation: see [A1-12](#), Lubricant: see [A24-2](#))Note2) The basic load rating in the dimension table is for a load in the radial direction. Use Table7 on [A1-59](#) to calculate the load rating for loads in the reverse radial direction or lateral direction.

## Model number coding

LM block

GSR25 T UU

Model number

Contamination protection accessory symbol (\*1)

Type of LM block

LM rail

GSR25 -1060L H K

Model number

LM rail length (in mm)

Symbol for tapped-hole LM rail type

Accuracy symbol (\*2)  
Normal grade (No Symbol)  
High accuracy grade (H)  
Precision grade (P)(\*1) See contamination protection accessory on [A1-516](#). (\*2) See [A1-82](#).Options⇒[A1-477](#)THK [A1-291](#)

## Standard Length and Maximum Length of the LM Rail

Table1 shows the standard lengths and the maximum lengths of model GSR variations. In case the required quantity is large and the lengths are not the same, we recommend preparing an LM rail of the maximum length in stock. This is economical since it allows you to cut the rail to the desired length as necessary.

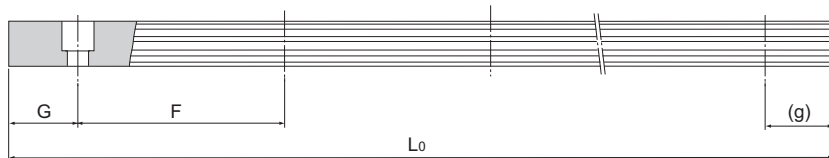


Table1 Standard Length and Maximum Length of the LM Rail for Model GSR

Unit: mm

Model No.	GSR 15	GSR 20	GSR 25	GSR 30	GSR 35
LM rail standard length ( $L_0$ )	460	460	460	1240	1240
	820	820	820	1720	1720
	1060	1060	1060	2200	2200
	1600	1600	1600	3000	3000
Standard pitch F	60	60	60	80	80
G, g	20	20	20	20	20
Max length	2000	3000	3000	3000	3000

Note) The maximum length varies with accuracy grades. Contact THK for details.

## Tapped-hole LM Rail Type of Model GSR

- Since the bottom of the LM rail has a tapped hole, this model can easily be installed on an H-shape steel and channel.
- Since the top face of the LM rail has no mounting hole, the sealability is increased and entrance of foreign material (e.g., cutting chips) can be prevented.

- (1) Determine the bolt length so that a clearance of 2 to 3 mm is secured between the bolt end and the bottom of the tap (effective tap depth).
- (2) As shown in Fig.2, a tapered washer is also available that allows GSR to be mounted on a section steel.
- (3) For model number coding, see **A1-290** to **A1-291**.

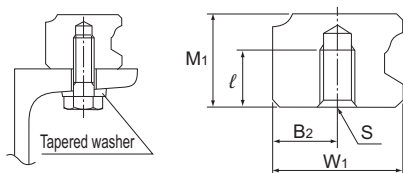


Fig.2

Table2 Tap Position and Depth Shape

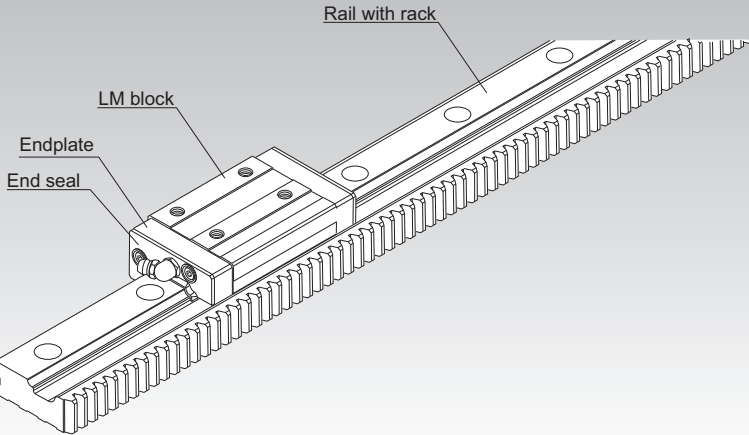
Model No.	$W_1$	$B_2$	$M_1$	$S \times \ell$
GSR 15	15	7.5	11.5	M4 × 7
GSR 20	20	10	13	M5 × 8
GSR 25	23	11.5	16.5	M6 × 10
GSR 30	28	14	19	M8 × 12
GSR 35	34	17	22	M10 × 14





# GSR-R

## LM Guide Separate Type (Radial) Model GSR-R



**Point of Selection** **A1-10**

**Point of Design** **A1-454**

**Options** **A1-477**

**Model No.** **A1-543**

**Precautions on Use** **A1-549**

**Accessories for Lubrication** **A24-1**

**Mounting Procedure and Maintenance** **B1-89**

Equivalent moment factor **A1-43**

Rated Loads in All Directions **A1-59**

Equivalent factor in each direction **A1-61**

Accuracy Standards **A1-82**

Shoulder Height of the Mounting Base and the Corner Radius **A1-468**

Permissible Error of the Mounting Surface **A1-471**

Dimensions of Each Model with an Option Attached **A1-491**

## Structure and Features

Balls roll in two rows of raceways precision-ground on an LM rail and an LM block, and endplates incorporated in the LM block allow the balls to circulate. Since retainer plates hold the balls, they do not fall off.

As the top face of the LM block is inclined, a clearance is eliminated and an appropriate preload is applied simply by securing the LM block with mounting bolts.

Model GSR-R is based on model GSR, but has rack teeth on the LM rail. This facilitates the design and assembly of drive mechanisms.

\* Model GSR-R cannot be used in single-axis applications.

### [Reduced Machining and Assembly Costs]

The single-piece structure integrating the LM rail (linear guide) and rack (drive) reduces labor and time for machining the rack mounting surface and assembling and adjusting the guide system, thus to achieve significant cost reduction.

### [Easy Designing]

The travel distance per turn of the pinion is specified by the integer value. This makes it easy to calculate the travel distance per pulse when the LM Guide is used in combination with a stepping motor or servomotor.

### [Space Saving]

Since the rail has a rack, the machine size can be reduced.

### [Long Stroke]

The end faces of the LM rail are machined for jointed use. To obtain a long stroke, simply joint LM rails of the standard length.

### [High Durability]

The rack tooth has a width equal to the LM rail height, the rack uses high-grade steel with proven performance and the tooth surface are heat-treated, thereby to ensure high durability.

---

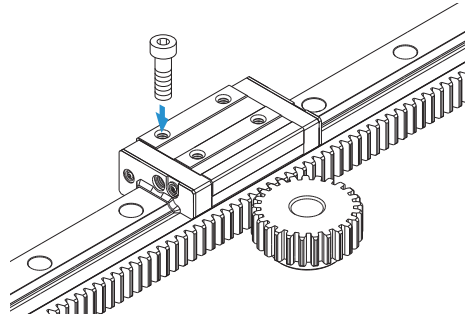
## Types and Features

---

### Model GSR-R (Rail with Rack)

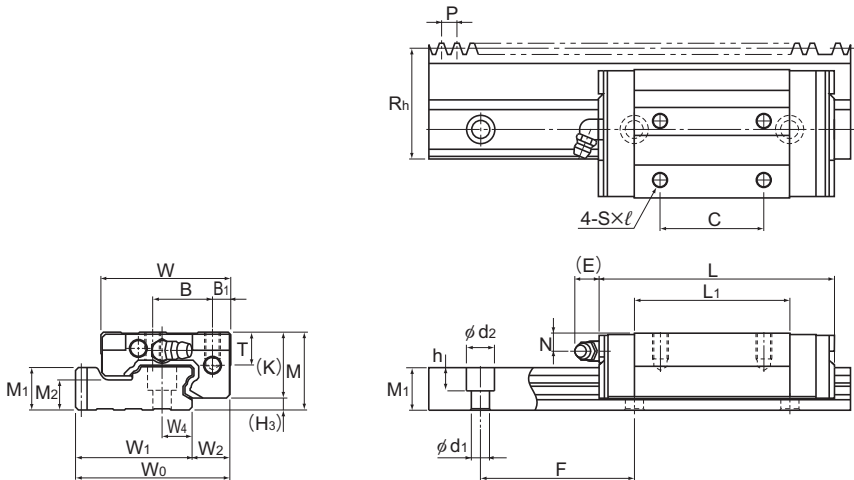
Since the thrust load on the pinion shaft can be kept low due to rack-pinion meshing, it is easy to design systems with pinion shaft bearings and tables that are not so rigid.

Specification Table⇒ **A1-305**





# Model GSR-R



Model GSR-T-R

Model No.	Rack			Outer dimensions				LM block dimensions										Grease nipple	H <sub>3</sub>
	Reference pitch dimension	Module	Pitch line height	Height	Width	Length													
	P	Rh	M	W	W <sub>0</sub>	L	B <sub>1</sub>	B	C	S×ℓ	L <sub>1</sub>	T	K	N	E				
GSR 25V-R GSR 25T-R	6	1.91	43	30	50	59.91	69 88	7	23	— 40	M6×10	41.2 60.2	12.7	25.4	7	12	B-M6F	4.6	
GSR 30T-R	8	2.55	48	33	57	67.05	103	8	26	45	M8×12	70.3	14.6	28.5	7	12	B-M6F	4.5	
GSR 35T-R	10	3.18	57	38	68	80.18	117	9	32	50	M8×15	80.3	15.6	32.5	8	12	B-M6F	5.5	

Note) A special type with a module pitch is also available. Contact THK for details.  
For checking the pinion strength, see **A1-302**.

## Model number coding

Single-rail LM Guide

**GSR25T 2 UU +5000L H R T**

Model number

Contamination protection accessory symbol (\*1)

LM rail length (in mm)

Symbol for LM rail jointed use

Symbol for rail with rack type  
R: Symbol for rail with rack type

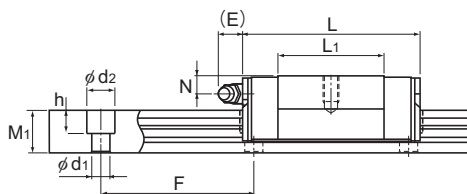
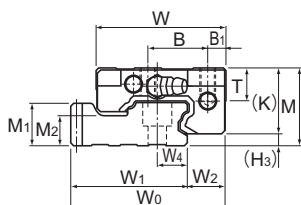
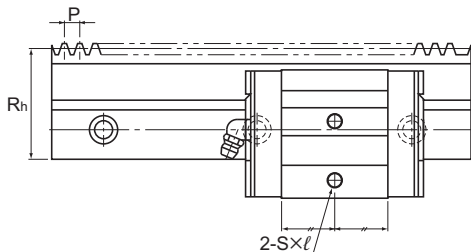
No. of LM blocks

Accuracy symbol (\*2)

Normal grade (No Symbol)/High accuracy grade (H)

(\*1) See contamination protection accessory on **A1-516**. (\*2) See **A1-82**.

Note) This model number indicates that a single-rail unit constitutes one set.



Model GSR25V-R

Unit: mm

LM rail dimensions							Basic load rating		Static permissible moment kN·m*				Mass		
Width		Height		Pitch	F	M <sub>2</sub>	d <sub>1</sub> × d <sub>2</sub> × h	C	C <sub>0</sub>	M <sub>A</sub>		M <sub>B</sub>		LM block	LM rail
W <sub>1</sub>	W <sub>2</sub>	W <sub>4</sub>	M <sub>1</sub>	1 block						Double blocks	1 block	Double blocks	kg		
44.91	15	11.5	16.5	60	11.5		7 × 11 × 9	15.5 20	15.2 22	0.102 0.205	0.625 1.11	0.0891 0.176	0.541 0.961	0.29 0.5	4.7
50.55	16.5	14	19	80	12		9 × 14 × 12	27.8	29.9	0.325	1.77	0.28	1.52	0.6	5.9
60.18	20	17	22	80	14.5		11 × 17.5 × 14	37	39.1	0.485	2.63	0.419	2.27	1	8.1

Note1) The maximum length under "Length\*" indicates the standard maximum length of an LM rail. (See [A1-300](#).)

Static permissible moment\* 1 block: the static permissible moment with one LM block

Double blocks: static permissible moment when two LM blocks are in close contact with each other

A moment in the M<sub>c</sub> direction can be received if two rails are used in parallel. However, since it depends on the distance between the two rails, it has been omitted.

Total block length L

: The total block length L shown in the table is the length with the dust proof parts, code UU or SS. If other contamination protection accessories or lubricant equipment are installed, the total block length will increase.

(See [A1-491](#) or [A1-512](#))

For oil lubrication, be certain to contact THK with the mounting orientation.

(Mounting orientation: see [A1-12](#), Lubricant: see [A24-2](#))

Note2) The basic load rating in the dimension table is for a load in the radial direction. Use Table7 on [A1-59](#) to calculate the load rating for loads in the reverse radial direction or lateral direction.

### Model number coding

LM block

**GSR25T UU**

Model  
number

Contamination protection  
accessory symbol (\*1)

Rail with rack

**GSR25-2004L H R**

Accuracy symbol (\*2)  
Normal grade (No Symbol)  
High accuracy grade (H)

R: Symbol for rail  
with rack type

(\*1) See contamination protection accessory on [A1-516](#). (\*2) See [A1-82](#).

## Standard Length of the LM Rail

Table1 shows the standard LM rail lengths of model GSR-R variations.

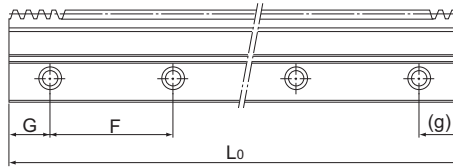


Table1 Standard Length of the LM Rail for Model GSR-R

Unit: mm

Model No.	GSR 25-R		GSR 30-R		GSR 35-R	
	LM rail Standard length (L <sub>0</sub> )	1500	2004	1504	2000	1500
Standard pitch F	60	60	80	80	80	80
G,g	30	42	32	40	30	40



## Rack and Pinion

### [Joining Two or More Rails]

The end faces of the rail with rack are machined so that a clearance is left after assembly in order to facilitate the assembly.

Use of a special jig as shown in Fig.1 will make the connection easier.

(THK also offers the rack-aligning jig.)

### [Reworking the Pinion Hole]

Only the teeth of the reworkable pinion-hole-diameter type (type C) are heat-treated. The hole and keyway can therefore be reworked by the user to the desired diameter and shape.

When reworking the pinion hole, be sure to take the following into account.

The material of the reworkable hole diameter type (type C): S45C

- (1) When chucking the teeth of a reworkable hole diameter type, use a jaw scroll chuck or something like it to maintain the tooth profile.
- (2) The pinion is produced using the center of the hole as a reference point. The center of the hole should therefore be used as a reference point when the pinion is aligned. When checking the pinion runout, refer to the boss sides.
- (3) Keep the reworked hole diameter within roughly 60 to 70% of the boss diameter.

### [Lubricating the Rack and Pinion]

To ensure smooth sliding on tooth surfaces and prevent wear, the teeth should be provided with a lubricant.

Note1) Use a lubricant of the same type of thickener as that contained in the LM Guide.

Note2) Unpredictable wear may occur in the rack and pinion according to load conditions and lubrication status. Contact THK when undertaking design.

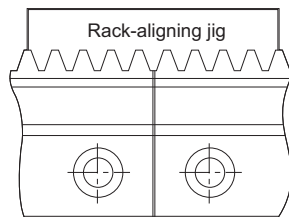


Fig.1 Rack Connection Method

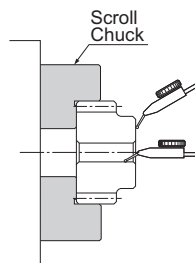


Fig.2

### Checking Strength

The strength of the assembled rack and pinion must be checked in advance.

- (1) Calculate the maximum thrust acting on the pinion.
- (2) Divide the permissible power transmission capacity of the pinion to be used (Table1) by an overload factor (Table2).
- (3) By comparing the thrust acting on the pinion obtained in step 1 with the pinion power transmission capacity obtained in step 2, make sure the applied thrust does not exceed the permissible power transmission capacity.

#### [Example of calculation]

Model GSR-R is used in a horizontal conveyance system receiving a medium impact (assuming external load to be zero).

#### ● Conditions

Subject model No. (pinion) GP6-20A  
 Mass (table + work)  $m=100\text{kg}$   
 Speed  $v=1\text{ m/s}$   
 Acceleration/deceleration time  $T_1=0.1\text{ s}$

#### ● Consideration

- (1) Calculating the maximum thrust  
 Calculated the thrust during acceleration/deceleration.

$$F_{\max} = m \cdot \frac{v}{T_1} = 1.00\text{kN}$$

- (2) Permissible power transmission capacity of the pinion

$$P_{\max} = \frac{\text{Permissible power transmission capacity (see Table 1)}}{\text{Overload factor (see Table 2)}} = \frac{2.33}{1.25} = 1.86\text{kN}$$

- (3) Comparison between the maximum thrust and the permissible power transmission capacity of the pinion  
 $F_{\max} < P_{\max}$

Therefore, it is judged that the subject model number can be used.

Table1 Permissible Power transmission Capacity

Unit: kN

Model No.	Permissible Power transmission Capacity	Supported model
GP 6-20A	2.33	GSR 25-R
GP 6-20C	2.05	
GP 6-25A	2.73	
GP 6-25C	2.23	
GP 8-20A	3.58	GSR 30-R
GP 8-20C	3.15	
GP 8-25A	4.19	
GP 8-25C	3.42	
GP10-20A	5.19	GSR 35-R
GP10-20C	4.57	
GP10-25A	6.06	
GP10-25C	4.96	

Table2 Overload Factor

Impact from the prime mover	Impact from the driven machine		
	Uniform load	Medium impact	Large impact
Uniform load (electric motor, turbine, hydraulic motor, etc.)	1.0	1.25	1.75

(Excerpt from JGMA401-01)

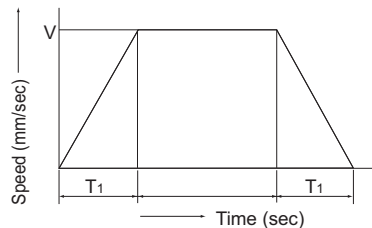
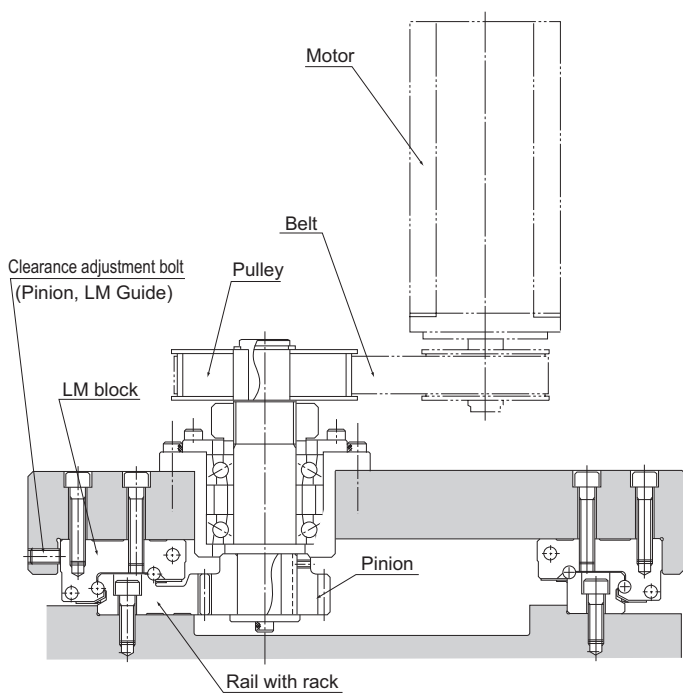
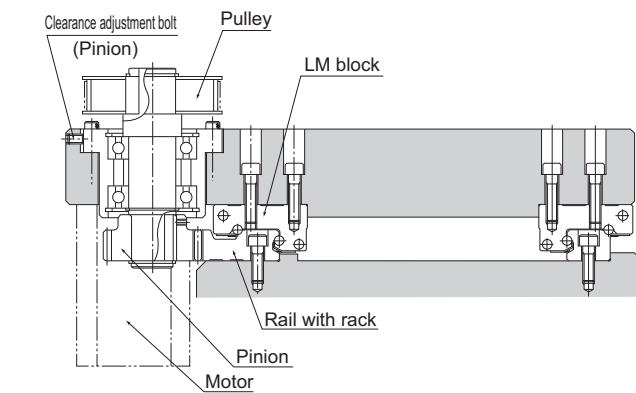


Fig.3

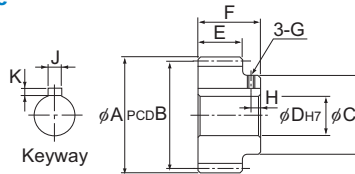
[Example of Assembling Model GSR-R with the Table]



## Rack and Pinion Dimensional Drawing

### [Pinion for rack - type A]

#### The keyway worked type



Unit: mm

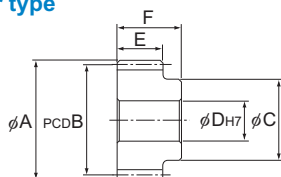
Model No.	Pitch	Number of teeth	Tip circle diameter A	Meshing PCD B	Boss diameter C	Hole diameter D	Tooth width E	Overall length F	G	H	Keyway J×K	Supported model numbers
GP6-20A	6	20	42.9	39	30	18	16.5	24.5	M3	4	6×2.8	GSR 25-R
GP6-25A		25	51.9	48	35	18						
GP8-20A	8	20	57.1	52	40	20	19	26	M3	5	8×3.3	GSR 30-R
GP8-25A		25	69.1	64	40	20						
GP10-20A	10	20	70.4	64	45	25	22	30	M4	5	8×3.3	GSR 35-R
GP10-25A		25	86.4	80	60	25						

Note1) When placing an order, specify the model number from the table.

Note2) Non-standard pinions with different numbers of teeth are also available upon request. Contact THK for details.

## [Pinion for rack - type C]

## The reworkable hole diameter type



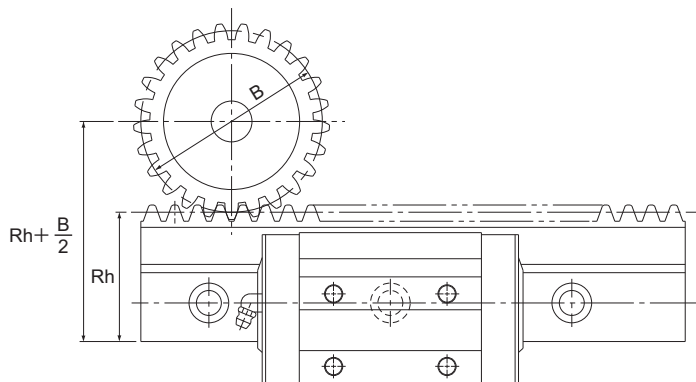
Unit: mm

Model No.	Pitch	Number of teeth	Tip circle diameter A	Meshing PCD B	Boss diameter C	Hole diameter D	Tooth width E	Overall length F	Supported model numbers
GP 6-20C	6	20	42.9	39	30	12	16.5	24.5	GSR 25-R
GP 6-25C		25	51.9	48	35	15			
GP 8-20C	8	20	57.1	52	40	18	19	26	GSR 30-R
GP 8-25C		25	69.1	64	40	18			
GP10-20C	10	20	70.4	64	45	18	22	30	GSR 35-R
GP10-25C		25	86.4	80	60	18			

Note1) When placing an order, specify the model number from the table.

Note2) Non-standard pinions with different numbers of teeth are also available upon request. Contact THK for details.

## [The dimension when the LM rail is used in combination with a pinion]

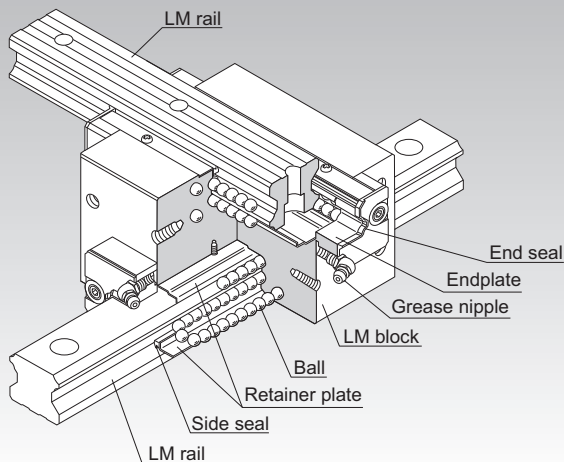


Unit: mm

Model GSR Model No.	Pinion Model No.	LM rail Pitch line height Rh	Pinion Meshing PCD B	Rh+B/2
GSR 25-R	GP 6-20A	43	39	62.5
	GP 6-20C		48	
	GP 6-25A			67
	GP 6-25C			
GSR 30-R	GP 8-20A	48	52	74
	GP 8-20C		64	
	GP 8-25A			80
	GP 8-25C			
GSR 35-R	GP 10-20A	57	64	89
	GP 10-20C		80	
	GP 10-25A			97
	GP 10-25C			

# CSR

## LM Guide Cross LM Guide Model CSR



**Point of Selection** **A1-10**

**Point of Design** **A1-454**

**Options** **A1-477**

**Model No.** **A1-543**

**Precautions on Use** **A1-549**

**Accessories for Lubrication** **A24-1**

**Mounting Procedure and Maintenance** **B1-89**

Equivalent moment factor **A1-43**

Rated Loads in All Directions **A1-59**

Equivalent factor in each direction **A1-61**

Radial Clearance **A1-72**

Accuracy Standards **A1-80**

Shoulder Height of the Mounting Base and the Corner Radius **A1-463**

Permissible Error of the Mounting Surface **A1-470**

Dimensions of Each Model with an Option Attached **A1-491**

## Structure and Features

Balls roll in four rows of raceways precision-ground on a LM rail and a LM block, and endplates incorporated in the LM block allow the balls to circulate. Since retainer plates hold the balls, they do not fall off even if the LM rail is pulled out.

This model is an integral type of LM Guide that squares an internal structure similar to model HSR, which has a proven track record and is highly reliable, with another and uses two LM rails in combination. It is machined with high precision so that the perpendicularity of the hexahedron of the LM block is within  $2\ \mu\text{m}$  per 100 mm in error. The two rails are also machined with high precision in relative straightness. As a result, extremely high accuracy in orthogonality is achieved. Since an orthogonal LM system can be achieved with model CSR alone, a conventionally required saddle is no longer necessary, the structure for X-Y motion can be simplified and the whole system can be downsized.

### [4-way Equal Load]

Each row of balls is placed at a contact angle of  $45^\circ$  so that the rated loads applied to the LM block are uniform in the four directions (radial, reverse radial and lateral directions), enabling the LM Guide to be used in all orientations.

### [High Rigidity]

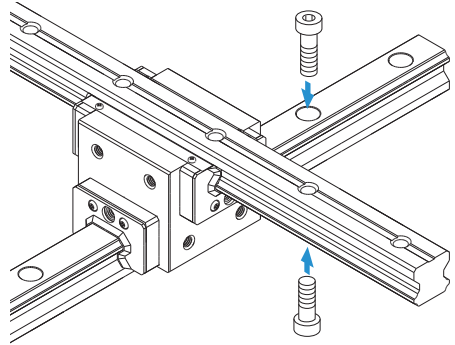
Since balls are arranged in four rows in a well-balanced manner, this model is stiff against a moment, and smooth straight motion is ensured even a preload is applied to increase the rigidity. The rigidity of the LM blocks is 50% higher than that of a combination of two HSR LM blocks secured together back-to-back with bolts. Thus, CSR is an optimal LM Guide for building an X-Y table that requires high rigidity.

## Types and Features

### Model CSR-S

This model is a standard type.

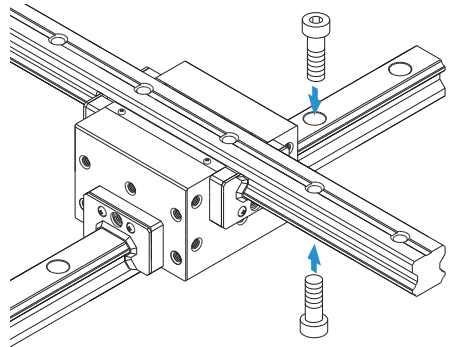
Specification Table⇒[A1-310](#)



### Model CSR

It has a longer overall LM block length (L) and a greater rated load.

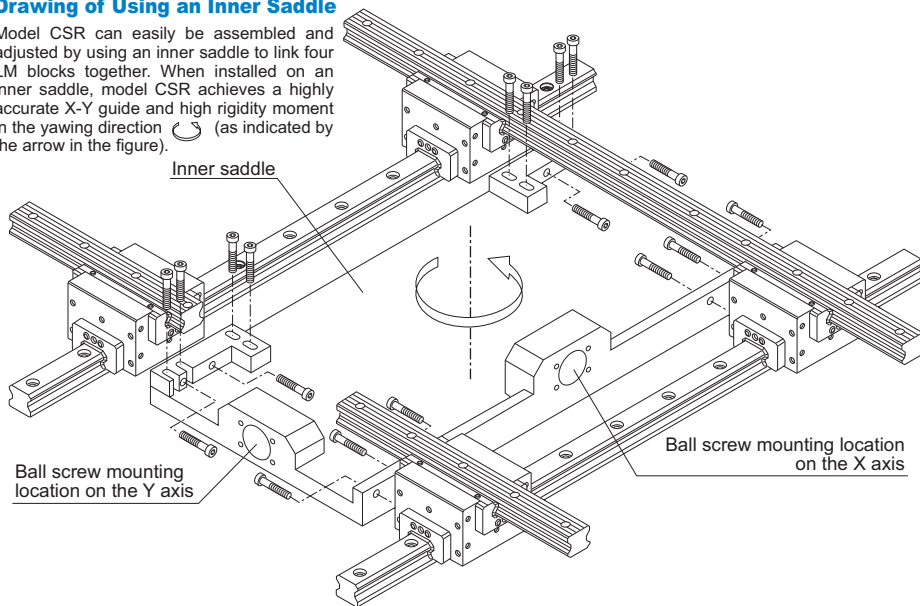
Specification Table⇒[A1-310](#)



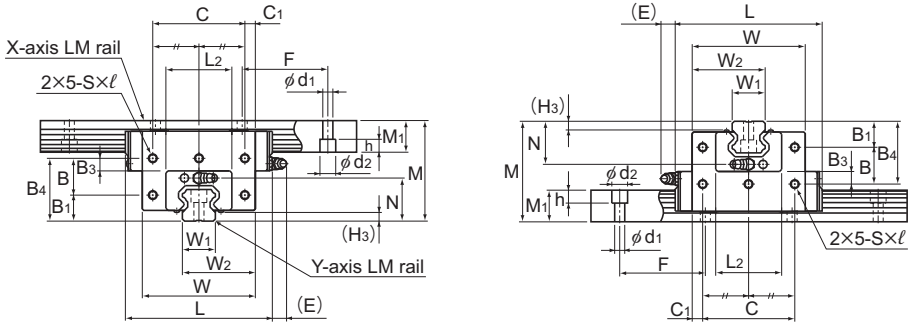


### Drawing of Using an Inner Saddle

Model CSR can easily be assembled and adjusted by using an inner saddle to link four LM blocks together. When installed on an inner saddle, model CSR achieves a highly accurate X-Y guide and high rigidity moment in the yawing direction (as indicated by the arrow in the figure).



# Model CSR



Models CSR20 to 45

Model No.	Outer dimensions			LM block dimensions											Grease nipple	H <sub>3</sub>
	Height	Width	Length	B <sub>1</sub>	B <sub>3</sub>	B <sub>4</sub>	B	C	C <sub>1</sub>	S × l	L <sub>2</sub>	H <sub>3</sub>	N	E		
	M	W	L													
CSR 15	47	38.8	56.6	—	11.3	34.8	—	20	9.4	M4 × 6	32	3.5	19.5	5.5	PB1021B	3.5
CSR 20S CSR 20	57	50.8 66.8	74 90	— 13	13.3 7.8	42.5 37	— 24	30 56	10.4 5.4	M5 × 8	42	4	25	12	B-M6F	4
CSR 25S CSR 25	70	59.5 78.6	83.1 102.2	— 18	17 9	52 44	— 26	34 64	12.75 7.3	M6 × 10	46	5.5	30	12	B-M6F	5.5
CSR 30S CSR 30	82	70.4 93	98 120.6	— 21	20 12	61 53	— 32	40 76	15.2 8.5	M6 × 10	58	7	35	12	B-M6F	7
CSR 35	95	105.8	134.8	24	14	61	37	90	7.9	M8 × 14	68	7.5	40	12	B-M6F	7.5
CSR 45	118	129.8	170.8	30	16	75	45	110	9.9	M10 × 15	84	10	50	16	B-PT1/8	10

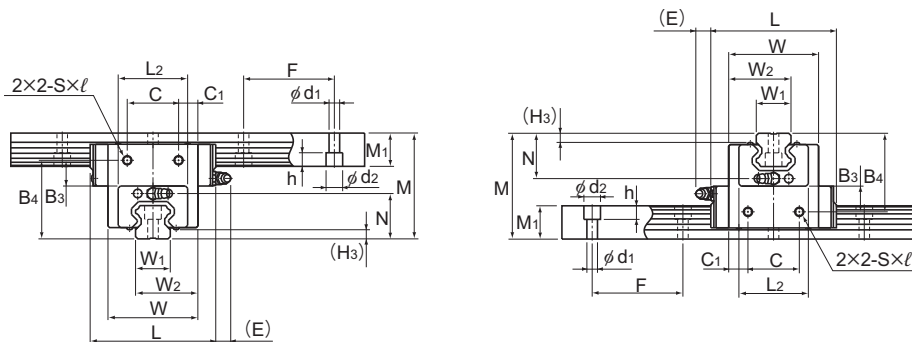
## Model number coding

**4 CSR25 UU C0 +1200/1000L P**

4: Total No. of LM blocks  
 CSR25: Model number  
 UU: Contamination protection accessory symbol (\*1)  
 C0: Radial clearance symbol (\*2)  
 +1200/1000L: LM rail length on the X axis (in mm) / LM rail length on the Y axis (in mm)  
 P: Accuracy symbol (\*3)

Normal (No symbol)/Light preload (C1)  
 Medium preload (C0)  
 Precision grade (P)/Super precision grade (SP)  
 Ultra precision grade (UP)

(\*1) See contamination protection accessory on **A1-516**. (\*2) See **A1-72**. (\*3) See **A1-80**.



Models CSR15, 20S to 30S

Unit: mm

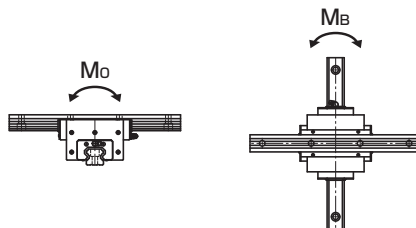
	LM rail dimensions						Basic load rating		Static permissible moment*		Mass	
	Width $W_1$ $\pm 0.05$	$W_2$	Height $M_1$	Pitch $F$	$d_1 \times d_2 \times h$	Length* Max	$C$ kN	$C_0$ kN	$M_0$ kN·m	$M_B$ kN·m	LM block kg	LM rail kg/m
15	26.9	15	60	4.5×7.5×5.3	3000	10.9	15.7	0.0998	0.0945	0.34	1.5	
20	35.4 43.4	18	60	6×9.5×8.5	3000	19.8 23.9	27.4 35.8	0.235 0.307	0.218 0.363	0.73 1.3	2.3	
23	41.25 50.8	22	60	7×11×9	3000	27.6 35.2	36.4 51.6	0.366 0.518	0.324 0.627	1.2 2.2	3.3	
28	49.2 60.5	26	80	9×14×12	3000	40.5 48.9	53.7 70.2	0.652 0.852	0.599 0.995	2 3.6	4.8	
34	69.9	29	80	9×14×12	3000	65	91.7	1.37	1.49	5.3	6.6	
45	87.4	38	105	14×20×17	3090	100	135	2.6	2.59	9.8	11	

Note) The maximum length under "Length\*" indicates the standard maximum length of an LM rail. (See [A1-312](#).)

Static permissible moment\* : 1 block; the static permissible moment with one LM block

Total block length L : The total block length L shown in the table is the length with the dust proof parts, code UU or SS. If other contamination protection accessories or lubricant equipment are installed, the total block length will increase.

(See [A1-491](#) or [A1-512](#))



## Standard Length and Maximum Length of the LM Rail

Table1 shows the standard lengths and the maximum lengths of model CSR variations. For special rail lengths, it is recommended to use a value corresponding to the G,g dimension from the table. As the G,g dimension increases, this portion becomes less stable, and the accuracy performance is severely impacted.

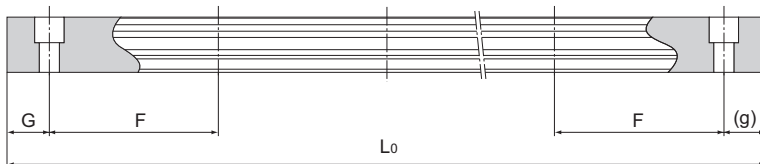


Table1 Standard Length and Maximum Length of the LM Rail for Model CSR

Unit: mm

Model No.	CSR 15	CSR 20	CSR 25	CSR 30	CSR 35	CSR 45
LM rail standard length ( $L_0$ )	160	220	220	280	280	570
	220	280	280	360	360	675
	280	340	340	440	440	780
	340	400	400	520	520	885
	400	460	460	600	600	990
	460	520	520	680	680	1095
	520	580	580	760	760	1200
	580	640	640	840	840	1305
	640	700	700	920	920	1410
	700	760	760	1000	1000	1515
	760	820	820	1080	1080	1620
	820	940	940	1160	1160	1725
	940	1000	1000	1240	1240	1830
	1000	1060	1060	1320	1320	1935
	1060	1120	1120	1400	1400	2040
	1120	1180	1180	1480	1480	2145
	1180	1240	1240	1560	1560	2250
	1240	1360	1300	1640	1640	2355
	1360	1480	1360	1720	1720	2460
	1480	1600	1420	1800	1800	2565
1600	1720	1480	1880	1880	2670	
	1840	1540	1960	1960	2775	
	1960	1600	2040	2040	2880	
	2080	1720	2200	2200	2985	
	2200	1840	2360	2360	3090	
		1960	2520	2520		
		2080	2680	2680		
		2200	2840	2840		
		2320	3000	3000		
		2440				
Standard pitch F	60	60	60	80	80	105
G,g	20	20	20	20	20	22.5
Max length	3000	3000	3000	3000	3000	3090

Note) The maximum length varies with accuracy grades. Contact THK for details.

## Tapped-hole LM Rail Type of Model CSR

The model CSR variations include a type with its LM rail bottom tapped. With the X-axis LM rail having tapped holes, this model can be secured with bolts from the top.

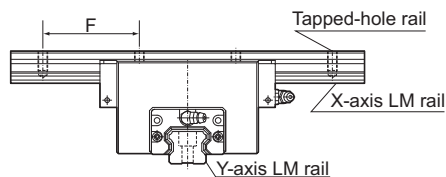


Table2 Dimensions of the LM Rail Tap Unit: mm

Model No.	S <sub>1</sub>	Effective tap depth $l_1$
15	M5	8
20	M6	10
25	M6	12
30	M8	15
35	M8	17
45	M12	24

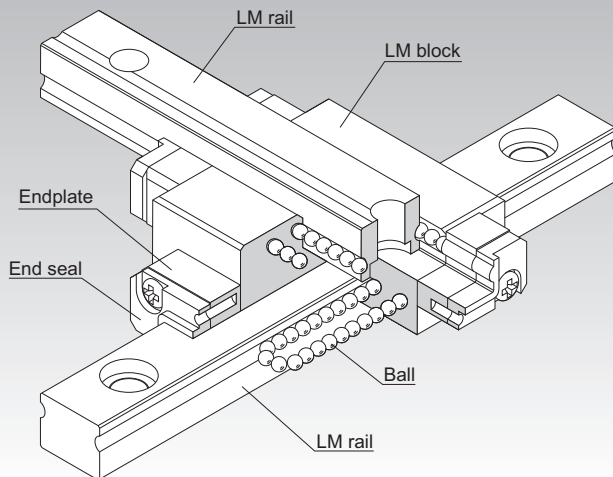
### Model number coding

**4 CSR25 UU C0 +1200L P K/1000L P**

Symbol for  
tapped-hole LM rail type

# MX

## LM Guide Miniature Cross Guide Model MX



**Point of Selection** **A1-10**

**Point of Design** **A1-454**

**Options** **A1-477**

**Model No.** **A1-543**

**Precautions on Use** **A1-549**

**Accessories for Lubrication** **A24-1**

**Mounting Procedure and Maintenance** **B1-89**

Equivalent moment factor **A1-43**

Rated Loads in All Directions **A1-59**

Equivalent factor in each direction **A1-61**

Radial Clearance **A1-72**

Accuracy Standards **A1-84**

Shoulder Height of the Mounting Base and the Corner Radius **A1-464**

Dimensions of Each Model with an Option Attached **A1-491**

## Structure and Features

Balls roll in two rows of raceways precision-ground on an LM rail and an LM block, and endplates incorporated in the LM block allow the balls to circulate. This model is an integral type of LM Guide that squares a unit of miniature LM Guide model RSR with another and uses two LM rails in combination. Since an orthogonal LM system with an extremely low height can be achieved with model MX alone, a conventionally required saddle is no longer necessary and the whole system can be downsized.

### [4-way Equal Load]

Each row of balls is placed at a contact angle of  $45^\circ$  so that the rated loads applied to the LM block are uniform in the four directions (radial, reverse radial and lateral directions), enabling the LM Guide to be used in all orientations.

### [Tapped-hole LM Rail Type]

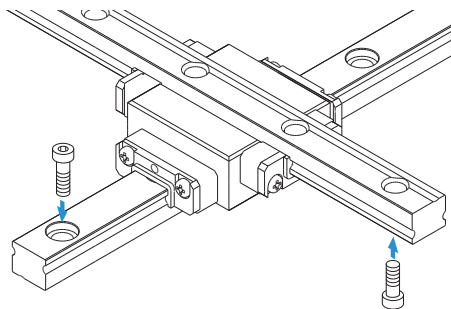
There are two types of the LM rail: one designed to be mounted from the top with bolts, and a semi-standard type whose bottom face has tapped holes, allowing the rail to be mounted from the bottom.

## Types and Features

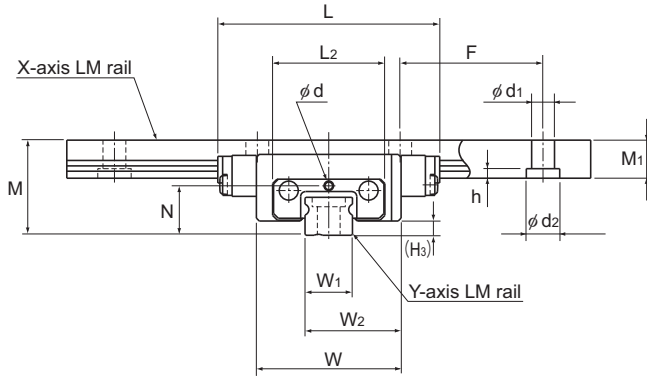
### Model MX

MX is divided into two types: RSR5 cross type and RSR7W cross type.

Specification Table⇒ **A1-316**



# Model MX



Model No.	Outer dimensions			LM block dimensions			H <sub>3</sub>
	Height M	Width W	Length L	L <sub>2</sub>	N	Greasing hole d	
MX 5M	10	15.2	23.3	11.8	5.2	0.8	1.5
MX 7WM	14.5	30.2	40.8	24.6	7.4	1.2	2

## Model number coding

**4** **MX7W** **M** **UU** **C1** **+120 / 100L** **P** **T** **M**

Total No. of LM blocks      Contamination protection accessory symbol (\*1)      LM rail length on the X axis (in mm)      LM rail length on the Y axis (in mm)      LM rail is made of stainless steel  
 Accuracy symbol (\*3)  
 Normal grade (No Symbol)/Precision grade (P)

Symbol for LM rail jointed use

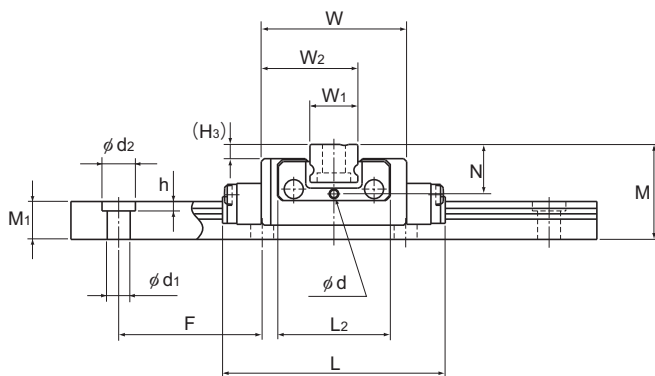
(\*1) See contamination protection accessory on [A1-516](#). (\*2) See [A1-72](#). (\*3) See [A1-84](#).

Note) If the LM rail mount of a semi-standard model is of a tapped-hole LM rail type, add symbol "K" after the accuracy symbol.

Example: 4 MX7W M UU C1+120/100L P K T M

└─── Add symbol K





Unit: mm

LM rail dimensions						Basic load rating		Static Permissible Moment* N·m		Mass	
Width		Height	Pitch		Length*	C	C <sub>0</sub>	M <sub>0</sub>	M <sub>B</sub>	LM block	LM rail
W <sub>1</sub>	W <sub>2</sub>	M <sub>1</sub>	F	d <sub>1</sub> × d <sub>2</sub> × h	Max	kN	kN			kg	kg/m
5 <sup>0</sup> <sub>-0.02</sub>	10.1	4	15	2.4 × 3.5 × 1	200	0.59	1.1	2.57	2.57	0.01	0.14
14 <sup>0</sup> <sub>-0.025</sub>	22.1	5.2	30	3.5 × 6 × 3.2	400	2.04	3.21	14.7	14.7	0.051	0.51

Note) The maximum length under "Length\*" indicates the standard maximum length of an LM rail. (See **A1-318**.)

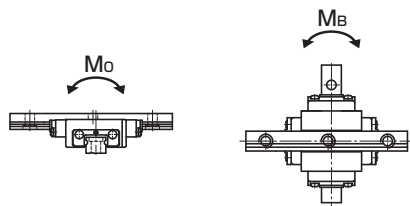
Static permissible moment\* 1 block: the static permissible moment with one LM block

Total block length L : The total block length L shown in the table is the length with the dust-proof parts (code: UU).

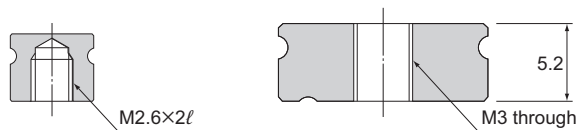
The M in the model number symbol indicates that the LM block, LM rail and balls are made of stainless steel.

The stainless steel provides excellent corrosion and environmental resistance.

Please be aware that balls will fall out if the LM block is removed from the LM rail.



For the LM rail mounting hole, a tapped-hole LM rail type is available as semi-standard.



Model MX5M

Model MX7WM

When mounting the LM rail of model MX7WM, take into account the thread length of the mounting bolt in order not to let the bolt end stick out of the top face of the LM rail.

## Standard Length and Maximum Length of the LM Rail

Table1 shows the standard lengths and the maximum lengths of model MX variations.

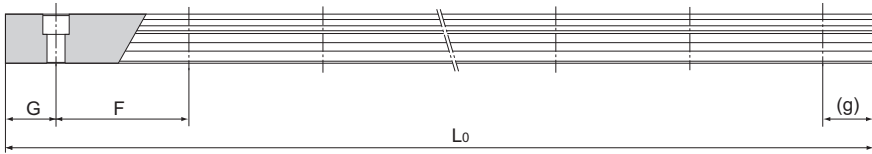


Table1 Standard Length and Maximum Length of the LM Rail for Model MX

Unit: mm

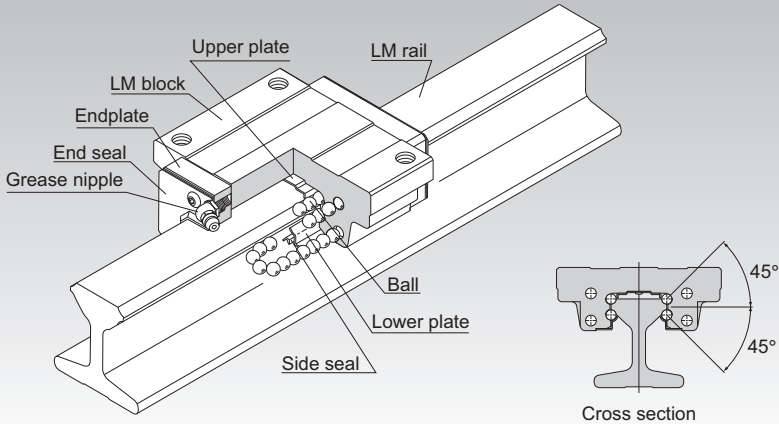
Model No.	MX 5	MX 7W
LM rail standard length ( $L_0$ )	40	50
	55	80
	70	110
	100	140
	130	170
	160	200
		260
Standard pitch F	15	30
G,g	5	10
Max length	200	400

Note) The maximum length varies with accuracy grades. Contact THK for details.



# JR

## LM Guide Structural Member Rail Model JR



<b>Point of Selection</b>	<b>A1-10</b>
<b>Point of Design</b>	<b>A1-454</b>
<b>Options</b>	<b>A1-477</b>
<b>Model No.</b>	<b>A1-543</b>
<b>Precautions on Use</b>	<b>A1-549</b>
<b>Accessories for Lubrication</b>	<b>A24-1</b>
<b>Mounting Procedure and Maintenance</b>	<b>B1-89</b>
Equivalent moment factor	<b>A1-43</b>
Rated Loads in All Directions	<b>A1-59</b>
Equivalent factor in each direction	<b>A1-61</b>
Radial Clearance	<b>A1-73</b>
Accuracy Standards	<b>A1-79</b>
Shoulder Height of the Mounting Base and the Corner Radius	<b>A1-463</b>
Permissible Error of the Mounting Surface	<b>A1-470</b>
Dimensions of Each Model with an Option Attached	<b>A1-491</b>

## Structure and Features

Balls roll in four rows of raceways precision-ground on an LM rail and an LM block, and endplates incorporated in the LM block allow the balls to circulate. Since retainer plates hold the balls, they do not fall off even if the LM rail is pulled out.

Model JR uses the same LM block as model HSR, which has a proven track record and is highly reliable. The LM rail has a sectional shape with high flexural rigidity, and therefore can be used as a structural member.

Unlike the conventional LM Guide type, whose LM rail was secured onto the base with bolts when installed, model JR's LM rail is integrated with the mounting base, and the top of the LM rail has the same structure as LM Guide model HSR. The lower part of the LM rail has a hardness of 25HRC or less, making it easy to cut the rail and enabling the rail to be welded.

When welding the rail, we recommend using welding rods compliant with JIS D 5816. (suggested manufacturer and model number: Kobelco LB-52).

### [4-way Equal Load]

Each row of balls is placed at a contact angle of 45° so that the rated loads applied to the LM block are uniform in the four directions (radial, reverse radial and lateral directions), enabling the LM Guide to be used in all orientations.

### [Can be Mounted Even Under Rough Conditions]

Since the center of the cross-section of the LM rail is slightly thinner, even if the parallelism between two rails is not accurate the LM rail is capable of absorbing the error by bending inward or outward.

### [Sectional Shape with High Flexural Rigidity]

Since the LM rail has a sectional shape with high flexural rigidity, it can also be used as a structural member. In addition, even when the LM rail is partially fastened or supported in cantilever, the distortion is minimal.



Fig.1

## Second Moment of Inertia of the LM Rail

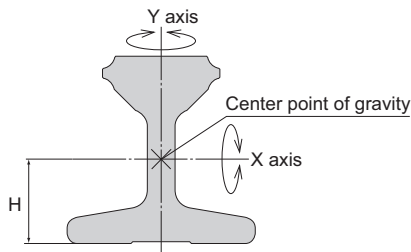


Fig.2

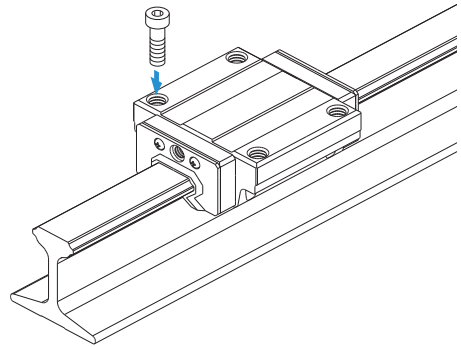
	Geometrical moment of inertia $I$ [ $\times 10^8$ mm <sup>4</sup> ]		Modulus of section $Z$ [ $\times 10^4$ mm <sup>3</sup> ]		Height of gravitational center $H$ [mm]
	About X axis	About Y axis	About X axis	About Y axis	
JR 25	1.90	0.51	0.69	0.21	19.5
JR 35	4.26	1.32	1.43	0.49	24.3
JR 45	12.1	3.66	3.31	1.04	33.1
JR 55	27.6	6.54	5.89	1.40	43.3

## Types and Features

### Model JR-A

The flange of its LM block has tapped holes.

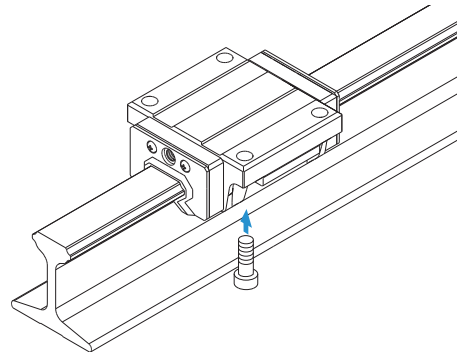
Specification Table⇒ **A1-324**



### Model JR-B

The flange of the LM block has through holes. Used in places where the table cannot have through holes for mounting bolts.

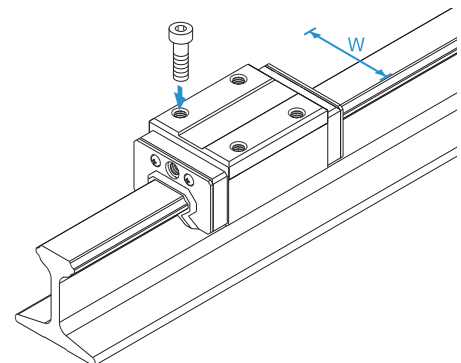
Specification Table⇒ **A1-324**



### Model JR-R

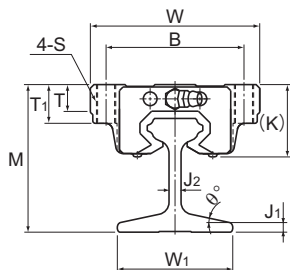
With this type, the LM block has a smaller width (W) and tapped holes. Used in places where the space for table width is limited.

Specification Table⇒ **A1-324**

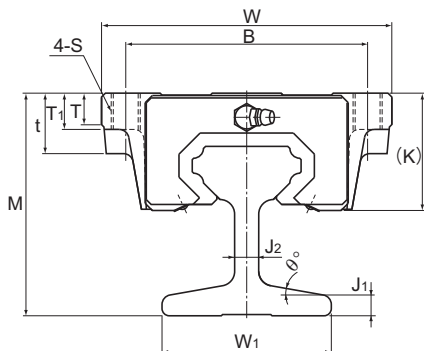




## Models JR-A, JR-B and JR-R



Models JR25 and 35-A

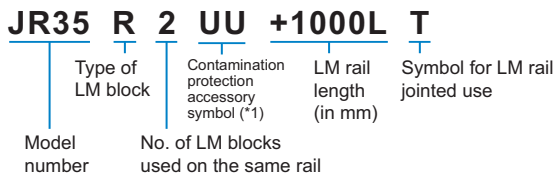


Models JR45 and 55-A

Model No.	Outer dimensions			LM block dimensions												Grease nipple
	Height	Width	Length	B	C	H	S × ℓ	L <sub>1</sub>	t	T	T <sub>1</sub>	K	N	E		
	M	W	L	B	C	H	S × ℓ	L <sub>1</sub>	t	T	T <sub>1</sub>	K	N	E		
JR 25A	61	70	83.1	57	45	—	M8*	59.5	—	11	16	30.5	6	12	B-M6F	
JR 25B	61	70		45	7	—	—		16	11	10	30.5	6			
JR 25R	65	48		35	7	—	M6 × 8		9	—	—	34.5	10			
JR 35A	73	100	113.6	82	62	—	M10*	80.4	—	12	21	40	8	12	B-M6F	
JR 35B	73	100		82	62	9	—		21	12	13	40	8			
JR 35R	80	70		50	50	—	M8 × 12		—	11.7	—	47.4	15			
JR 45A	92	120	145	100	80	—	M12*	98	25	13	15	50	10	16	B-PT1/8	
JR 45B	92	120		100	80	11	—		25	13	15	50	10			
JR 45R	102	86		60	60	—	M10 × 17		—	15	—	59.4	20			
JR 55A	114	140	165	116	95	—	M14*	118	29	13.5	17	57	11	16	B-PT1/8	
JR 55B	114	140		116	95	14	—		29	13.5	17	57	11			
JR 55R	124	100		75	75	—	M12 × 18		—	20.5	—	67	21			

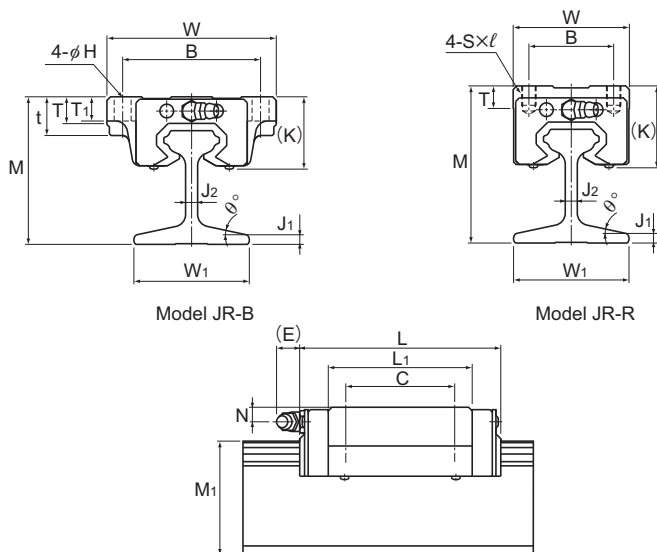
Note) "\*" indicates a through hole.

### Model number coding



(\*1) See contamination protection accessory on **A1-516**





Unit: mm

LM rail dimensions						Basic load rating		Static permissible moment kN·m*					Mass	
Width	J <sub>1</sub>	J <sub>2</sub>	θ°	Height M <sub>1</sub>	Length* Max	C kN	C <sub>0</sub> kN	M <sub>A</sub>		M <sub>B</sub>		M <sub>C</sub>	LM block kg	LM rail kg/m
								1 block	Double blocks	1 block	Double blocks	1 block		
48	4	5	12	47	2000	27.6	36.4	0.324	1.8	0.324	1.8	0.366	0.59 0.59 0.54	4.2
54	7	8	10	54	4000	53.9	70.2	0.895	4.51	0.895	4.51	1.05	1.6 1.6 1.5	8.6
70	8	10	10	70	4000	82.2	101	1.5	8.37	1.5	8.37	1.94	2.8 2.8 2.6	15.2
93	4.8	11.6	12	90	4000	121	146	2.6	14.1	2.6	14.1	3.43	4.5 4.5 4.3	18.3

Note) The maximum length under "Length\*" indicates the standard maximum length of an LM rail. (See **A1-326**.)

Static permissible moment\* 1 block: the static permissible moment with one LM block

Double blocks: static permissible moment when two LM blocks are in close contact with each other

Total block length L

: The total block length L shown in the table is the length with the dust proof parts, code UU or SS. If other contamination protection accessories or lubricant equipment are installed, the total block length will increase.

(See **A1-491** or **A1-512**)

## Standard Length and Maximum Length of the LM Rail

Table1 shows the standard lengths and the maximum lengths of model JR variations. If the maximum length of the desired LM rail exceeds them, jointed rails will be used. Contact THK for details.

Table1 Standard Length and Maximum Length of the LM Rail for Model JR

Unit: mm

Model No.	JR 25	JR 35	JR 45	JR 55
LM rail standard length ( $L_0$ )	1000	1000	1000	1000
	1500	2000	2000	2000
	2000	4000	4000	4000
Max length	2000	4000	4000	4000

Note1) If jointed rails are not allowed and a greater length than the maximum values above is required, contact THK.

Note2) For jointing two or more rails, a metal fitting like the one shown in Fig.3 is available. For the mounting method, see [B 1-99](#).

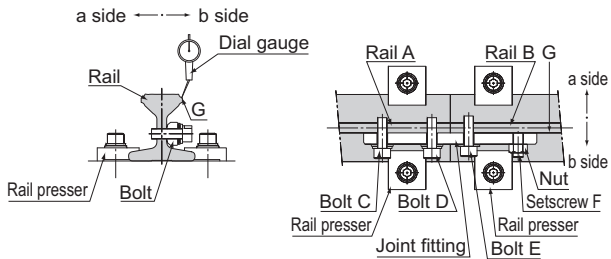
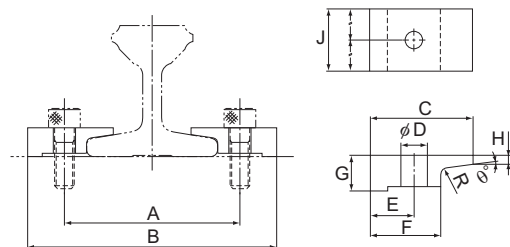


Fig.3

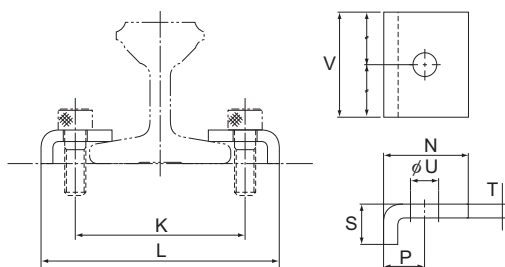
## Model JB frame for LM rail clamps



Unit: mm

Model No.	Mounting dimensions		Clamper dimensions									Bolt used
	A	B	C	D	E	F	G	H	R	J	$\theta^\circ$	
JB 25	57	78	25	7	10.5	15	10	3.8	R2	25	10	M 6
JB 35	72	102	35	9	15	24	12	3.1	R2	32	8	M 8
JB 45	90	130	45	11	20	30	16	5.4	R2	40	8	M10
JB 55	115	155	50	14	20	30	17	8.2	R2	50	10	M12

## Model JT steel plate for LM rail clamps

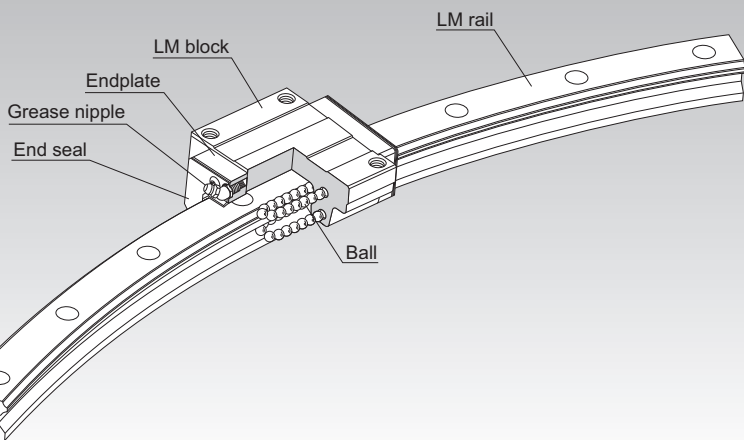


Unit: mm

Model No.	Mounting dimensions		Clamper dimensions						Bolt used
	K	L	N	P	S	T	U	V	
JT 25	57	79	25	11	10	4	7	25	M 6
JT 35	65	91	27	13	13	4.5	9	40	M 8
JT 45	84	114	33	15	16	6	11	50	M10
JT 55	110	148	50	19	15	6	14	50	M12

# HCR

## LM Guide R Guide Model HCR



**Point of Selection** **A1-10**

**Point of Design** **A1-454**

**Options** **A1-477**

**Model No.** **A1-543**

**Precautions on Use** **A1-549**

**Accessories for Lubrication** **A24-1**

**Mounting Procedure and Maintenance** **B1-89**

Equivalent moment factor **A1-43**

Rated Loads in All Directions **A1-59**

Equivalent factor in each direction **A1-61**

Radial Clearance **A1-73**

Accuracy Standards **A1-79**

Shoulder Height of the Mounting Base and the Corner Radius **A1-465**

Dimensions of Each Model with an Option Attached **A1-491**

---

## Structure and Features

---

Balls roll in four rows of raceways precision-ground on an LM rail and an LM block, and endplates incorporated in the LM block allow the balls to circulate.

With a structure that is basically the same as four-way equal load type LM Guide model HSR, which has a proven track record, this R Guide is a new concept product that allows highly accurate circular motion.

### [Freedom of Design]

Multiple LM blocks can individually move on the same rail. By arranging LM blocks on the load points, efficient structural design is achieved.

### [Shortened Assembly Time]

This model allows clearance-free, highly accurate circular motion as opposed to sliding guides or cam followers. You can easily assemble this model simply by mounting the LM rail and LM blocks with bolts.

### [Allows Circular Motion of 5m or Longer]

It allows circular motion of 5 m or longer, which is impossible with swivel bearings. In addition, use of this model makes it easy to assemble, disassemble and reassemble equipment that circularly moves.

### [Capable of Receiving a Load in Any Direction]

This model is capable of receiving loads in all directions since it has a structure that is basically the same as model HSR.

---

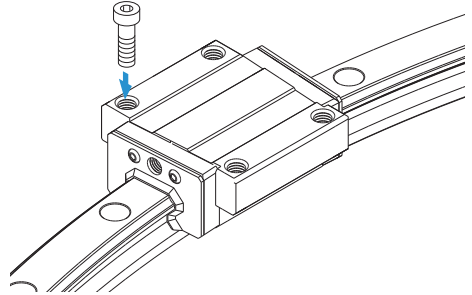
## Types and Features

---

### Model HCR

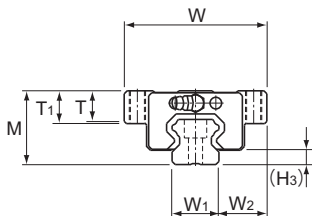
Specification Table → **A1-332**

The flange of its LM block has tapped holes.





# R Guide Model HCR



Model No.	Outer dimensions			LM block dimensions									H <sub>3</sub>
	Height	Width	Length	B	C	S	L <sub>1</sub>	T	T <sub>1</sub>	N	E	Grease nipple	
	M	W	L										
HCR 12A+60/100R	18	39	44.6	32	18	M4	30.5	4.5	5	3.4	3.5	PB107	3.1
HCR 15A+60/150R	24	47	54.5	38	24	M5	38.8	10.3	11	4.5	5.5	PB1021B	4.8
HCR 15A+60/300R			55.5										
HCR 15A+60/400R			55.8										
HCR 25A+60/500R	36	70	81.6	57	45	M8	59.5	14.9	16	6	12	B-M6F	7
HCR 25A+60/750R			82.3										
HCR 25A+60/1000R			82.5										
HCR 35A+60/600R	48	100	107.2	82	58	M10	80.4	19.9	21	8	12	B-M6F	8.5
HCR 35A+60/800R			107.5										
HCR 35A+60/1000R			108.2										
HCR 35A+60/1300R			108.5										
HCR 45A+60/800R	60	120	136.7	100	70	M12	98	23.9	25	10	16	B-PT1/8	11.5
HCR 45A+60/1000R			137.3										
HCR 45A+60/1200R			137.3										
HCR 45A+60/1600R			138										
HCR 65A+60/1000R	90	170	193.8	142	106	M16	147	34.9	37	19	16	B-PT1/8	15
HCR 65A+60/1500R			195.4										
HCR 65A+45/2000R			195.9										
HCR 65A+45/2500R			196.5										
HCR 65A+30/3000R			196.5										

## Model number coding

**HCR25A 2 UU C1 +60 / 1000R H 6 T**

Model number

Contamination protection accessory symbol (\*1)

R-Guide center angle

LM rail radius (in mm)

Symbol for LM rail jointed use (\*5)

No. of LM blocks used on the same rail

Radial clearance symbol (\*2)  
Normal (No symbol)  
Light preload (C1)

Accuracy symbol (\*3)  
Normal grade (No Symbol)  
High accuracy grade (H)

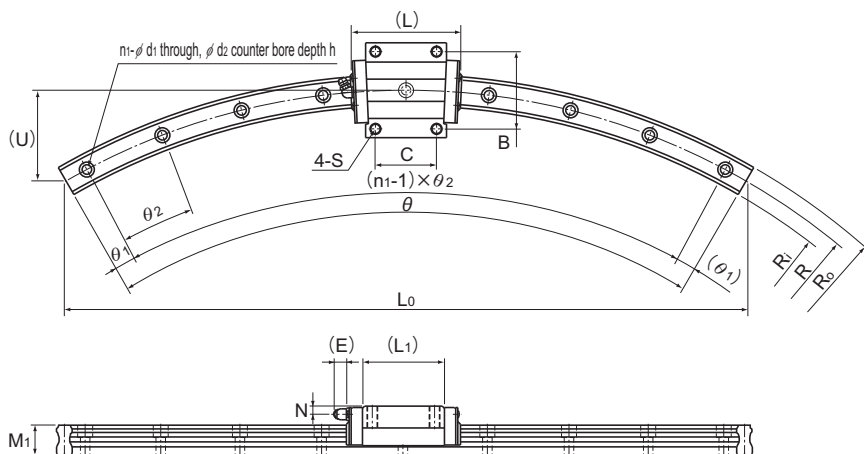
Number of LM rail joints used on one axis (\*4)

(\*1) See **A1-516** (contamination protection accessories). (\*2) See **A1-73**. (\*3) See **A1-79**.

(\*4) Number of LM rails used on one arc. Contact THK for details.

(\*5) When using joined LM rails, the dust prevention seal must be a low-resistance end seal (dust prevention code: LL).





Unit: mm

LM rail dimensions														Basic load rating		Static permissible moment kN·m*					Mass	
R	R <sub>0</sub>	R <sub>i</sub>	L <sub>0</sub>	U	W <sub>1</sub>	W <sub>2</sub>	M <sub>1</sub>	d <sub>1</sub> × d <sub>2</sub> × h	n <sub>1</sub>	θ°	θ <sub>1</sub> °	θ <sub>2</sub> °	C	C <sub>0</sub>	M <sub>A</sub>		M <sub>B</sub>		M <sub>C</sub>	LM block	LM rail	
													kN	kN	1 block	Double blocks	1 block	Double blocks	1 block	kg	kg/m	
100	106	94	100	13.4	12	13.5	11	3.5×6×5	3	60	7	23	4.7	8.53	0.0409	0.228	0.0409	0.228	0.0445	0.08	0.83	
150	157.5	142.5	150	20.1					3	7	23	6.66	10.8									
300	307.5	292.5	300	40	15	16	15	4.5×7.5×5.3	5	60	6	12	8.33	13.5	0.0805	0.457	0.0805	0.457	0.0844	0.2	1.5	
400	407.5	392.5	400	54					7	3	9	8.33	13.5									
500	511.5	488.5	500	67					9	2	7											
750	761.5	738.5	750	100	23	23.5	22	7×11×9	12	60	2.5	5	19.9	34.4	0.307	1.71	0.307	1.71	0.344	0.59	3.3	
1000	1011.5	988.5	1000	134					15	2	4											
600	617	583	600	80					7	3	9											
800	817	783	800	107	34	33	29	9×14×12	11	60	2.5	5.5	37.3	61.1	0.782	3.93	0.782	3.93	0.905	1.6	6.6	
1000	1017	983	1000	134					12	2.5	5											
1300	1317	1283	1300	174					17	2	3.5											
800	822.5	777.5	800	107					8	2	8											
1000	1022.5	977.5	1000	134	45	37.5	38	14×20×17	10	60	3	6	60	95.6	1.42	7.92	1.42	7.92	1.83	2.8	11.0	
1200	1222.5	1177.5	1200	161					12	2.5	5											
1600	1622.5	1577.5	1600	214					15	2	4											
1000	1031.5	968.5	1000	134					8	60	2	8										
1500	1531.5	1468.5	1500	201					10	60	3	6										
2000	2031.5	1968.5	1531	152	63	53.5	53	18×26×22	12	45	0.5	4	141	215	4.8	23.5	4.8	23.5	5.82	8.5	22.5	
2500	2531.5	2468.5	1913	190					13	45	1.5	3.5										
3000	3031.5	2968.5	1553	102					10	30	1.5	3										

Note) Static permissible moment\*

1 block: the static permissible moment with one LM block

Double blocks: static permissible moment when two LM blocks are in close contact with each other  
 : The total block length L shown in the table is the length with the dust proof parts, code UU or SS.  
 If other contamination protection accessories or lubricant equipment are installed, the total block length will increase.

(See [A1-491](#) or [A1-512](#))

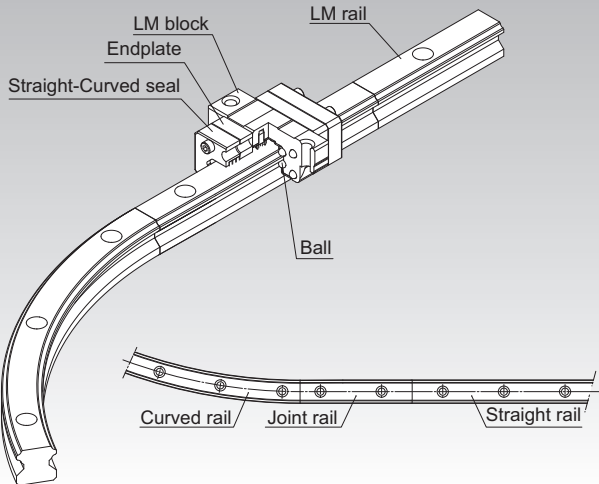
Please be aware that balls will fall out if the LM block is removed from the LM rail.

LM rail radii other than those shown in the table are also available. Contact THK for details.

The θ° in the table represents the maximum manufacturing angle. Exceeding this angle is normally done by using a joint; however, some parts may have LM rails that exceed the maximum manufacturing angle. Contact THK for details.

# HMG

## LM Guide Straight-Curved Guide Model HMG



**Point of Selection** **A1-10**

**Point of Design** **A1-454**

**Options** **A1-477**

**Model No.** **A1-543**

**Precautions on Use** **A1-549**

**Accessories for Lubrication** **A24-1**

**Mounting Procedure and Maintenance** **B1-89**

Equivalent moment factor **A1-43**

Rated Loads in All Directions **A1-59**

Equivalent factor in each direction **A1-61**

Radial Clearance **A1-73**

Accuracy Standards **A1-78**

Shoulder Height of the Mounting Base and the Corner Radius **A1-465**

Dimensions of Each Model with an Option Attached **A1-491**

## Structure and Features

The Straight-Curved Guide HMG is a new straight-curved guide that allows the same type of LM blocks to continuously move on straight and curved rails by combining the technologies of the LM Guide HSR and the R Guide HCR. It achieves drastic cost reduction through improvement of work efficiency at the assembly and conveyance lines and the inspection equipment and simplification of the structure by eliminating a lift and a table.

### [Freedom of Design]

It allows free combinations of straight and curved shapes.

Since LM blocks can smoothly transit between the straight and curved sections, various combinations of straight and curved rails can be joined into various shapes such as O, U, L and S shapes. In addition, HMG allows a large table to be mounted and a heavy object to be carried through combinations of multiple blocks on a single rail or 2 or more LM rails. Thus, it provides great freedom of design.

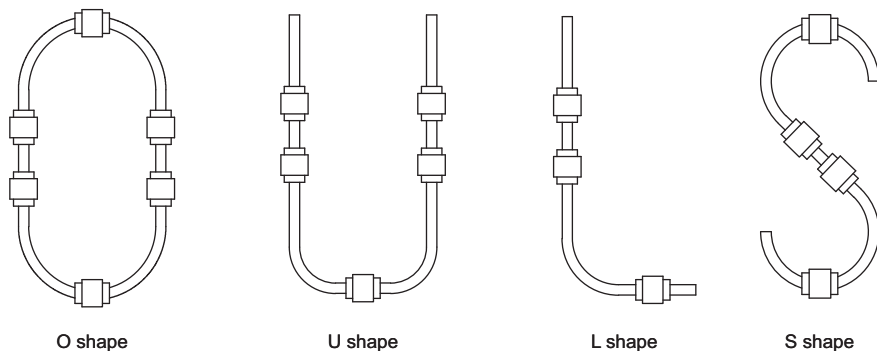


Fig.1 Examples of Joining Rails into Different Shapes

### [Straight-Curved Seals]

The Model HMG is available with seals that can be used for both straight and curved sections to prevent foreign materials from entering. These straight-curved seals provide sealing for both the straight and curved sections, preventing foreign materials from entering the unit.

### [Shortened Transportation Time]

Unlike the shuttle method, using HMG units in a circulating system allows workpieces to be placed while other workpieces are being inspected or mounted, thus to significantly improve process time. Increasing the number of tables can further shorten process time.

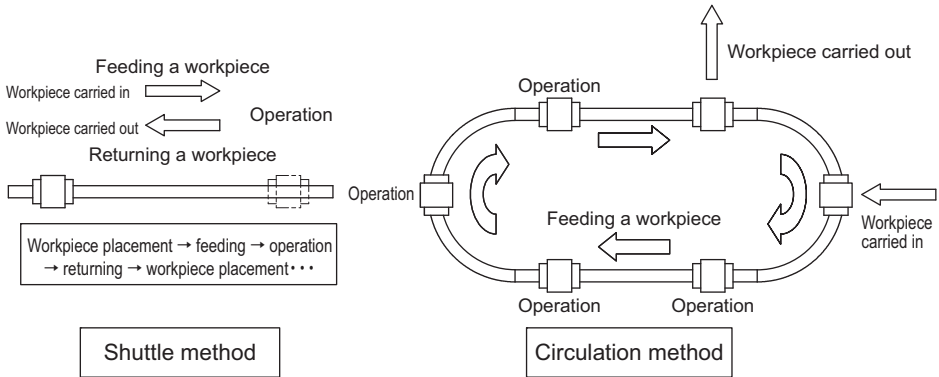


Fig.2 Improved process time

### [Cost Reduction through a Simplified Mechanism]

Combination of straight and curved rails eliminates a lift and a turntable conventionally used for changing directions in the conveyance and production lines. Therefore, use of HMG simplifies the mechanism and eliminates a large number of parts, allowing the cost to be reduced. Additionally, man-hours in designing can also be reduced.

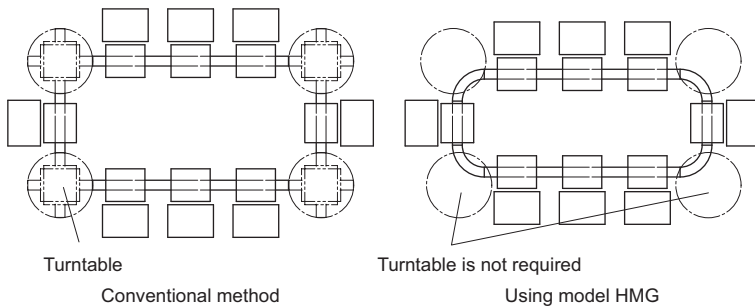


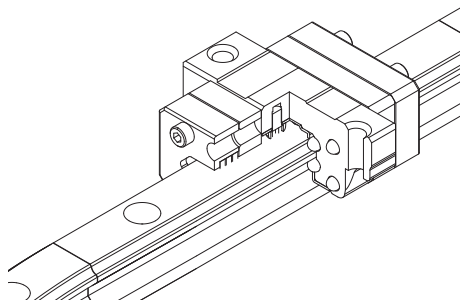
Fig.3

## Types and Features

### Model HMG

The flange of the LM block has tapped holes. Can be mounted from the top or the bottom.

Specification Table → [A1-340](#)



LM Guide

## Examples of Table Mechanisms

The Straight-Curved Guide HMG requires a rotating mechanism or a slide mechanism for the table to rotate the curved sections when 2 or more rails are used or when 2 or more LM blocks are connected on a single rail. Refer to Fig.4 for examples of such mechanisms.

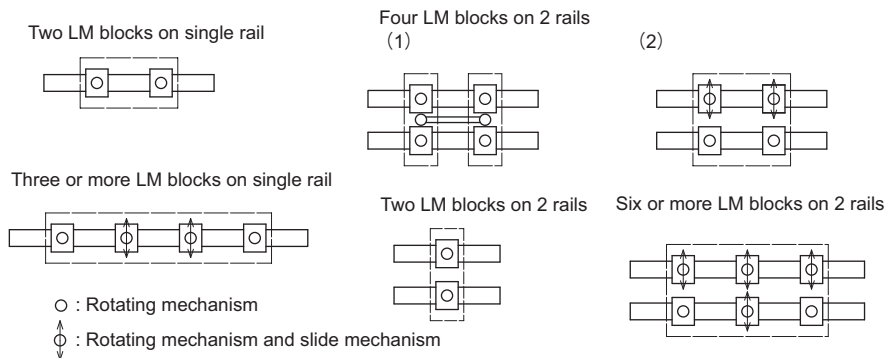


Fig.4 Examples of Table Mechanisms

Fig.5 shows examples of designing a table when units are used on multiple axes. HMG requires a rotating mechanism and a slide mechanism since the table is decentered when an LM block transits from a straight section to a curved section. The amount of decentering differs according to the radius of the curved section and the LM block span. Therefore, it is necessary to design the system in accordance with the corresponding specifications.

Fig.6 shows detail drawings of the slide and rotating mechanisms. In the figure, LM Guides are used in the slide mechanism and Cross-Roller Rings in the rotating mechanism to achieve smooth sliding and rotating motions.

For driving the Straight-Curved Guide, belt drives and chain drives are available.

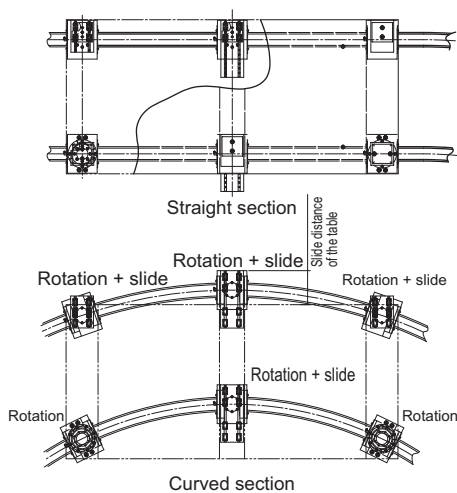


Fig.5

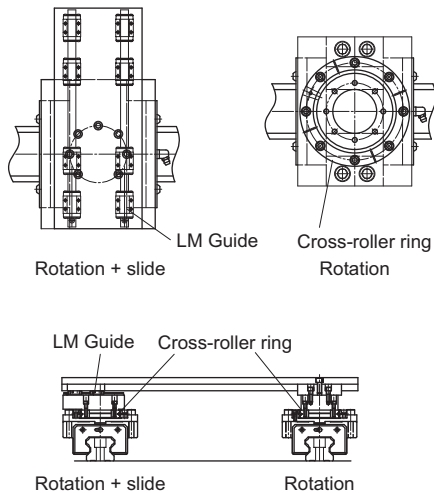
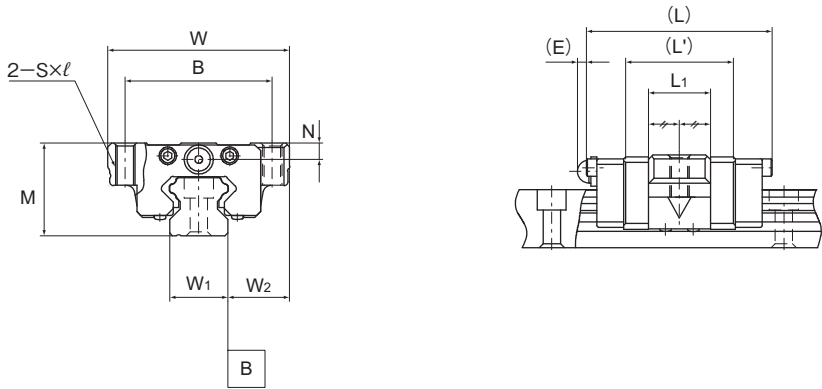


Fig.6

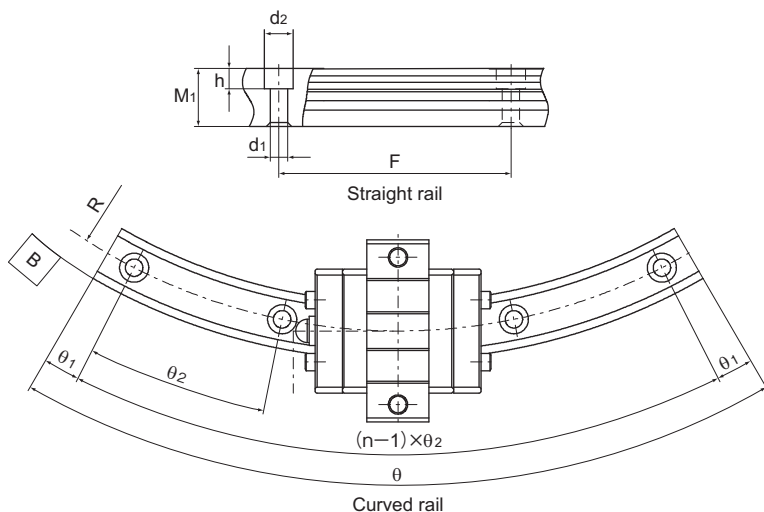


# Model HMG



Model No.	Outer dimensions				LM block dimensions					LM rail dimensions			
	M	W	L	L'	B	S×ℓ	L <sub>1</sub>	N	E	LM rail			Height M <sub>1</sub>
										W <sub>1</sub>	W <sub>2</sub>	F	
HMG 15A	24	47	48	28.8	38	M5×11	16	4.3	5.5	15	16	60	15
HMG 25A	36	70	62.2	42.2	57	M8×16	25.6	6	12	23	23.5	60	22
HMG 35A	48	100	80.6	54.6	82	M10×21	32.6	8	12	34	33	80	29
HMG 45A	60	120	107.6	76.6	100	M12×25	42.6	10	16	45	37.5	105	38
HMG 65A	90	170	144.4	107.4	142	M16×37	63.4	19	16	63	53.5	150	53





Unit: mm

	Mounting hole $d_1 \times d_2 \times h$	Curved rail					Basic dynamic load rating (C) Resultant load (C) kN	Basic static load rating ( $C_0$ )	
		R	n	$\theta^\circ$	$\theta_1^\circ$	$\theta_2^\circ$		Straight section (C <sub>st</sub> ) kN	Curved section (C <sub>cr</sub> ) kN
	4.5×7.5×5.3	150	3	60	7	23	2.56	4.23	0.44
		300	5	60	6	12			
		400	7	60	3	9			
	7×11×9	500	9	60	2	7	9.41	10.8	6.7
		750	12	60	2.5	5			
		1000	15	60	2	4			
	9×14×12	600	7	60	3	9	17.7	19	11.5
		800	11	60	2.5	5.5			
		1000	12	60	2.5	5			
	14×20×17	1300	17	60	2	3.5	28.1	29.7	18.2
		800	8	60	2	8			
		1000	10	60	3	6			
	18×26×22	1200	12	60	2.5	5	66.2	66.7	36.2
		1600	15	60	2	4			
		1000	8	60	2	8			
		1500	10	60	3	6			
		2000	12	45	0.5	4			
		2500	13	45	1.5	3.5			
		3000	10	30	1.5	3			

Note) When a moment is applied where one LM block is specified per axis, the LM block may experience non-smooth motion.

We recommend that multiple LM blocks be used per axis when a moment is applied.

Static permissible moment (straight/curved components): the static permissible moment value with 1 LM block (see Table1)

Total block length L: The total block length L shown in the table is the length including the straight-curved seal (code: UU).

Table1 Static Permissible Moments of Model HMG

Unit: kN·m

Model No.	$M_A$		$M_B$		$M_C$	
	Straight section	Curved section	Straight section	Curved section	Straight section	Curved section
HMG 15	0.008	0.007	0.008	0.01	0.027	0.003
HMG 25	0.1	0.04	0.1	0.05	0.11	0.07
HMG 35	0.22	0.11	0.22	0.12	0.29	0.17
HMG 45	0.48	0.2	0.48	0.22	0.58	0.34
HMG 65	1.47	0.66	1.47	0.73	1.83	0.94

## Jointed LM rail

### [Level Difference Specification for the Joint]

An accuracy error in LM rail installation has influence on the service life of the product. When installing the LM rail, take care to minimize the level difference in the joint within the specification indicated in Table2. For the joint between curved rails and another between the curved section and the joint rail, we recommend using a flushing piece like the one shown in Fig.7. When using the flushing piece, place the fixed butt piece on the outer side, push the rail against the butt piece, and then adjust the level difference in the joint section by turning the adjustment screw from the inner side.

Table2 Level Difference Specification for the Joint

Unit: mm

Model No.	Ball raceway, side face	Upper face	Maximum clearance of the joint section
15	0.01	0.02	0.6
25	0.01	0.02	0.7
35	0.01	0.02	1.0
45	0.01	0.02	1.3
65	0.01	0.02	1.3

Note) Place the pin on the outer circumference and the bolt on the inner circumference.

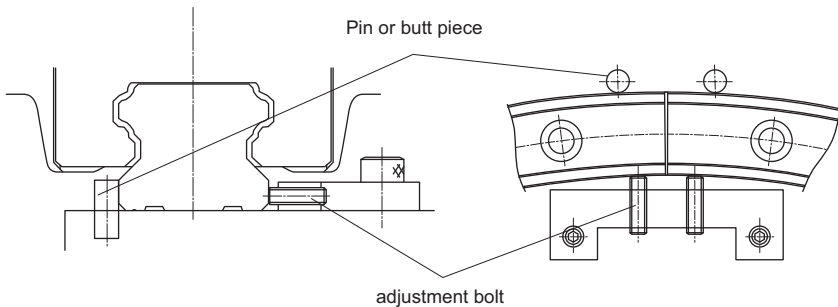


Fig.7 Flush piece

### [About the Curved Section]

The curved section of model HMG has a clearance for a structural reason. Therefore, this model may not be used in applications where highly accurate feed is required. In addition, the curved section cannot withstand a large moment. When a large moment is applied, it is necessary to increase the number of LM blocks or LM rails. For permissible moment values, see Table1 on **A1-341**.

### [Jointed LM Rail]

Model HMG always requires a jointed rail where an LM block travels from the straight section to the curved section and where the curve is inverted such as an S curve. Take this into account when design the system.

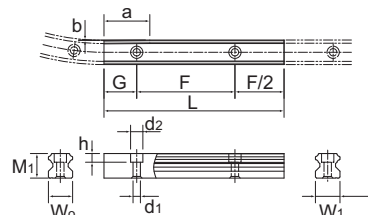


Table3 Dimension of the Jointed Rail

Unit: mm

Model No.	Dimension of the jointed rail							
	Height	Pitch	Mounting hole	Width		Taper length	Taper depth	Radius
	M <sub>1</sub>	F	d <sub>1</sub> ×d <sub>2</sub> ×h	W <sub>1</sub>	W <sub>0</sub>	a	b	R
15A	15	60	4.5×7.5×5.3	15	14.78	28	0.22	150
					14.89		0.11	300
					14.92		0.08	400
25A	22	60	7×11×9	23	22.83	42	0.17	500
					22.89		0.11	750
					22.92		0.08	1000
35A	29	80	9×14×12	34	33.77	54	0.23	600
					33.83		0.17	800
					33.86		0.14	1000
					33.9		0.1	1300
45A	38	105	14×20×17	45	44.71	76	0.29	800
					44.77		0.23	1000
					44.81		0.19	1200
					44.86		0.14	1600
65A	53	150	18×26×22	63	62.48	107	0.52	1000
					62.66		0.34	1500
					62.74		0.26	2000
					62.8		0.2	2500
					62.83		0.17	3000

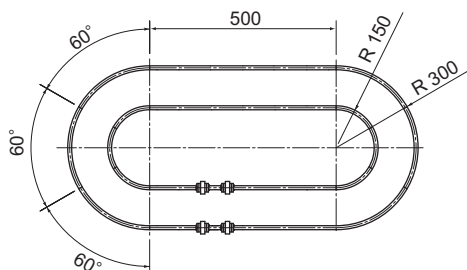


Fig.8 Example of model No.

## Model number coding

When 2 rails are used						
<b>HMG15A</b>	<b>2</b>	<b>UU</b>	<b>C1</b>	<b>+1000L</b>	<b>T</b>	<b>+ 60/150R 6T + 60/300R 6T - II</b>
Model number	Contamination protection accessory symbol (*1)	Overall linear LM rail length per rail	Center angle of one inner curved rail	No. of inner curved LM rails jointed	Radius of outer curved rail	Symbol for No. of rails used on the same plane (*2)
No. of LM blocks used on the same rail	Radial clearance symbol Normal (No symbol) Light preload (C1)	Symbol for linear LM rail joint	Radius of inner curved rail	Center angle of one outer curved rail	No. of outer curved LM rails jointed	

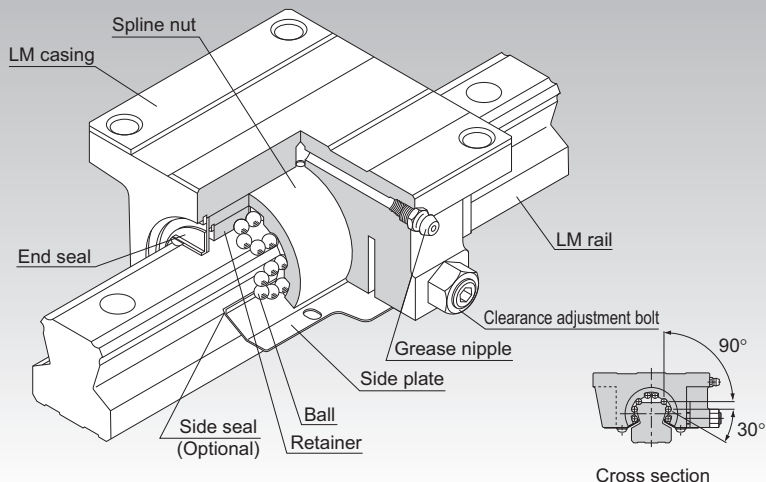
(\*1) See contamination protection accessory on **A1-516**. (\*2) See **A1-13**.

Note) This model number indicates that an LM block and an LM rail constitute one set (i.e., the required number of sets when 2 rails are used is 2).

The standard Model HMG does not have a seal. To attach a seal, make sure to specify a straight-curved seal (code: UU). For the model number above, use Fig.8.

# NSR-TBC

## LM Guide Self-aligning Type Model NSR-TBC



**Point of Selection** **A1-10**

**Point of Design** **A1-454**

**Options** **A1-477**

**Model No.** **A1-543**

**Precautions on Use** **A1-549**

**Accessories for Lubrication** **A24-1**

**Mounting Procedure and Maintenance** **B1-89**

Equivalent moment factor **A1-43**

Rated Loads in All Directions **A1-59**

Equivalent factor in each direction **A1-61**

Radial Clearance **A1-73**

Accuracy Standards **A1-77**

Shoulder Height of the Mounting Base and the Corner Radius **A1-463**

Permissible Error of the Mounting Surface **A1-471**

Dimensions of Each Model with an Option Attached **A1-491**

## Structure and Features

Model NSR-TBC is the only LM Guide whose casing consists of two pieces instead of a single-piece LM block. The rigid, cast iron casing contains a cylindrical spline nut that is partially cut at an angle of 120°. This enables the model to self-aligning on the fitting surface with the casing, thus to permit rough installation.

### [Capable of Receiving a Load in Any Direction]

NSR-TBC has four rows of balls. The balls are arranged in two rows on each shoulder of the LM rail, and can receive loads in all four directions: upward, downward and lateral directions. Due to the self-aligning structure, however, a rotational moment ( $M_c$ ) cannot be applied in a single-rail configuration.

### [Easy Installation and Accuracy Establishment]

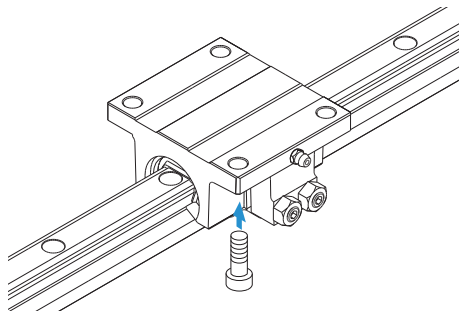
Model NSR-TBC is highly capable of performing self-adjustment and self-alignment. As a result, even if two rails are not mounted with accuracy, the LM casing absorbs the error and it does not affect the traveling performance. Accordingly, the machine performance will not be deteriorated.

## Types and Features

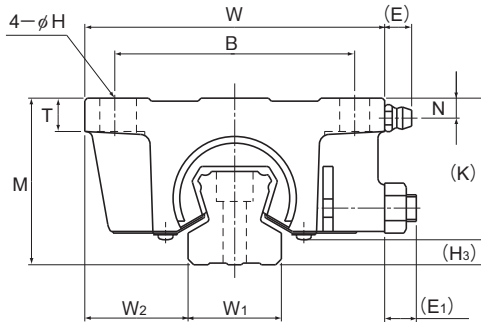
### Model NSR-TBC

The flange of the LM casing has through holes, allowing the LM Guide to be mounted from the bottom.

Specification Table⇒ **A1-346**



# Model NSR-TBC



Model No.	Outer dimensions			LM casing dimensions									Grease nipple	H <sub>3</sub>
	Height	Width	Length	B	C	H	T	K	N	E	E <sub>1</sub>			
	M	W	L											
NSR 20TBC	40	70	67	55	50	6.6	8	34.5	5.5	8.5	7	A-M6F	5.5	
NSR 25TBC	50	90	78	72	60	9	10	43.5	6	8.5	7.5	A-M6F	6.5	
NSR 30TBC	60	100	90	82	72	9	12	51	8	8.5	9.5	A-M6F	9	
NSR 40TBC	75	120	110	100	80	11	13	64	10	8.5	12	A-M6F	10.5	
NSR 50TBC	82	140	123	116	95	14	15	74	9	15	15	A-PT1/8	8	
NSR 70TBC	105	175	150	150	110	14	18	95.5	10	15	16.5	A-PT1/8	9.5	

## Model number coding

**NSR50TBC 2 UU C1 +1200L P T - II**

Model number

No. of LM cases  
used on the same  
rail

Contamination  
protection  
accessory  
symbol (\*1)

Radial clearance symbol (\*2)  
Normal (No symbol)  
Light preload (C1)  
Medium preload (C0)

LM rail length  
(in mm)

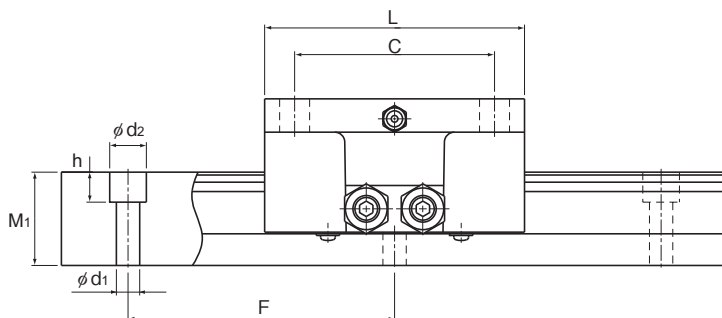
Symbol for  
LM rail  
jointed use

Accuracy symbol (\*3)  
Normal grade (No Symbol)/High accuracy grade (H)  
Precision grade (P)/Super precision grade (SP)  
Ultra precision grade (UP)

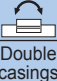
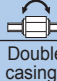
Symbol for  
No. of rails used  
on the same plane (\*4)

(\*1) See contamination protection accessory on **A1-516**. (\*2) See **A1-73**. (\*3) See **A1-77**. (\*4) See **A1-13**.

Note) This model number indicates that a single-rail unit constitutes one set. (i.e., required number of sets when 2 rails are used in parallel is 2 at a minimum.)



Unit: mm

	LM rail dimensions						Basic load rating		Static Permissible Moment*		Mass	
	Width		Height	Pitch		Length*	C	C <sub>0</sub>	M <sub>A</sub>	M <sub>B</sub>	LM casing	LM rail
	W <sub>1</sub> ±0.05	W <sub>2</sub>	M <sub>1</sub>	F	d <sub>1</sub> × d <sub>2</sub> × h	Max	kN	kN	 Double casings	 Double casings	kg	kg/m
	23	23.5	23	60	6 × 9.5 × 8.5	2200	9.41	18.6	0.31	0.27	0.62	3.1
	28	31	28	80	7 × 11 × 9	3000	14.9	26.7	0.53	0.46	1.13	4.7
	34	33	34.5	80	7 × 11 × 9	3000	22.5	38.3	0.85	0.74	1.8	7.2
	45	37.5	44.5	105	9 × 14 × 12	3000	37.1	62.2	1.7	1.5	3.5	12.2
	48	46	47.5	120	11 × 17.5 × 14	3000	55.1	87.4	2.7	2.4	5.2	14.3
	63	56	62	150	14 × 20 × 17	3000	90.8	152	9.8	4.9	9.4	27.6

Note1) The maximum length under "Length\*" indicates the standard maximum length of an LM rail. (See [A1-348](#).)

Static permissible moment\* Double casings: the static permissible moment when two LM casings are in close contact with each other

Total block length L : The total block length L shown in the table is the length with the dust proof parts, code UU or SS.

Note2) The basic load rating in the dimension table is for a load in the radial direction. Use Table7 on [A1-59](#) to calculate the load rating for loads in the reverse radial direction or lateral direction.

## Standard Length and Maximum Length of the LM Rail

Table1 shows the standard lengths and the maximum lengths of model NSR-TBC variations. If the maximum length of the desired LM rail exceeds them, jointed rails will be used. Contact THK for details.

For special rail lengths, it is recommended to use a value corresponding to the G,g dimension from the table. As the G,g dimension increases, this portion becomes less stable, and the accuracy performance is severely impacted.

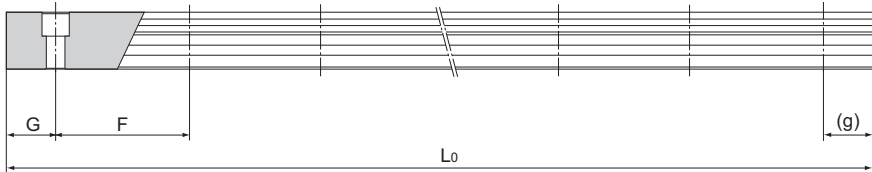


Table1 Standard Length and Maximum Length of the LM Rail for Model NSR-TBC

Unit: mm

Model No.	NSR 20TBC	NSR 25TBC	NSR 30TBC	NSR 40TBC	NSR 50TBC	NSR 70TBC
LM rail standard length (L <sub>0</sub> )	220	280	280	570	780	1270
	280	440	440	885	1020	1570
	340	600	600	1200	1260	2020
	460	760	760	1620	1500	2620
	640	1000	1000	2040	1980	
	820	1240	1240	2460	2580	
	1000	1640	1640	2985	2940	
	1240	2040	2040			
	1600	2520	2520			
	3000	3000				
Standard pitch F	60	80	80	105	120	150
G,g	20	20	20	22.5	30	35
Max length	2200	3000	3000	3000	3000	3000

Note1) The maximum length varies with accuracy grades. Contact THK for details.

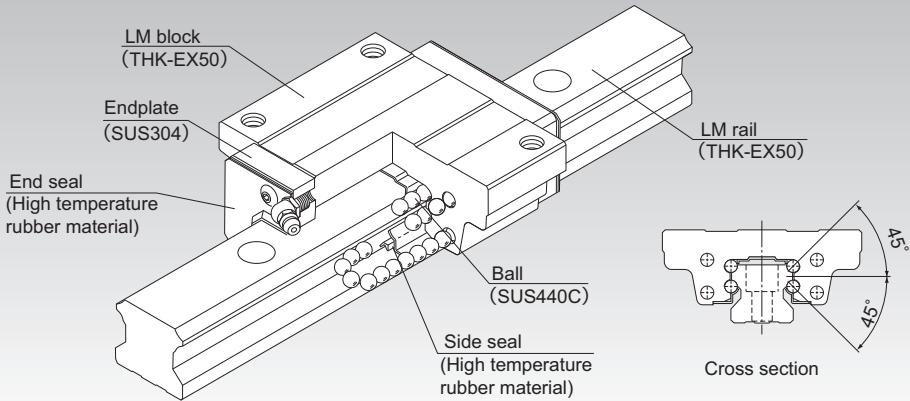
Note2) If jointed rails are not allowed and a greater length than the maximum values above is required, contact THK.





# HSR-M1

## LM Guide High Temperature Type Model HSR-M1



**Point of Selection** **A1-10**

**Point of Design** **A1-454**

**Options** **A1-477**

**Model No.** **A1-543**

**Precautions on Use** **A1-549**

**Accessories for Lubrication** **A24-1**

**Mounting Procedure and Maintenance** **B1-89**

Equivalent moment factor **A1-43**

Rated Loads in All Directions **A1-59**

Equivalent factor in each direction **A1-61**

Radial Clearance **A1-72**

Accuracy Standards **A1-77**

Shoulder Height of the Mounting Base and the Corner Radius **A1-465**

Permissible Error of the Mounting Surface **A1-470**

Dimensions of Each Model with an Option Attached **A1-491**

---

## Structure and Features

---

Balls roll in four rows of raceways precision-ground on an LM rail and an LM block, and endplates incorporated in the LM block allow the balls to circulate.

Each row of balls is placed at a contact angle of 45° so that the rated loads applied to the LM block are uniform in the four directions (radial, reverse radial and lateral directions), enabling the LM Guide to be used in all orientations.

The high temperature type LM Guide is capable of being used at service temperature up to 150°C thanks to THK's unique technologies in material, heat treatment and lubrication.

### [Maximum Service Temperature: 150°C]

Use of stainless steel in the endplates and high temperature rubber in the end seals achieves the maximum service temperature of 150°C.

### [Dimensional Stability]

Since it is dimensionally stabilized, it demonstrates superb dimensional stability after being heated or cooled (note that it shows linear expansion at high temperature).

### [Highly Corrosion Resistant]

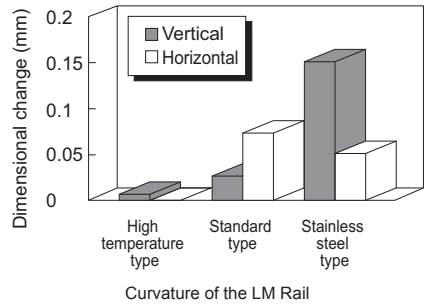
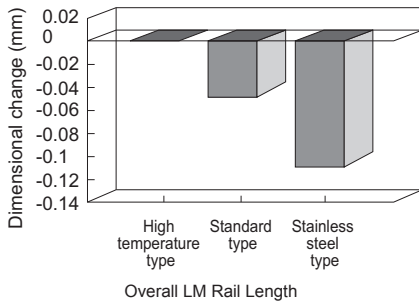
Since the LM block, LM rail and balls use stainless steel, which is highly corrosion resistant, this model is optimal for clean room applications.

### [High Temperature Grease]

This model uses high temperature grease that shows little grease-based fluctuation in rolling resistance even if temperature changes from low to high levels.

### ● Dimensional Stability Data

Since this model has been treated for dimensional stability, its dimensional change after being cooled or heated is only minimal.

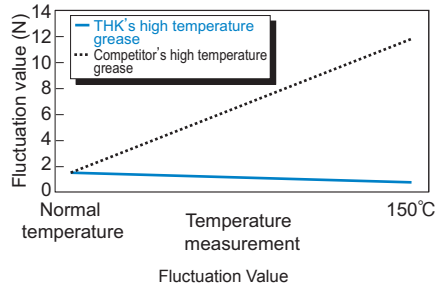
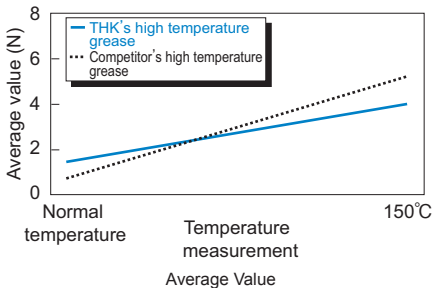


Note1) The above data on overall length and curvature indicate dimensional change when the LM rail is cooled to normal temperature after being heated at 150°C for 100 hours.

Note2) The samples consist of high temperature, standard and stainless steel types of model HSR25 + 580L.

### ● Rolling Resistance Data in Relation to Grease

Use a high temperature grease with which the rolling resistance of the LM system little fluctuates even temperature changes from a normal to high range.



For the measurements above, model HSR25M1R1C1 is used.

### ● Thermal Characteristics of LM Rail and LM Block Materials

Specific heat capacity: 0.481 J/(g·K)

Thermal conductivity: 20.67 W/(m·K)

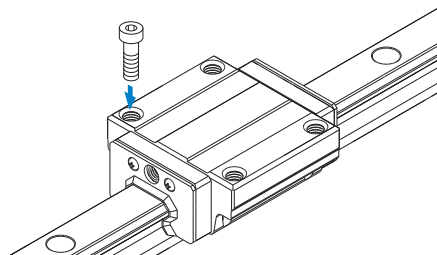
Average coefficient of linear expansion:  $11.8 \times 10^{-6}/^{\circ}\text{C}$

## Types and Features

### Model HSR-M1A

The flange of its LM block has tapped holes.

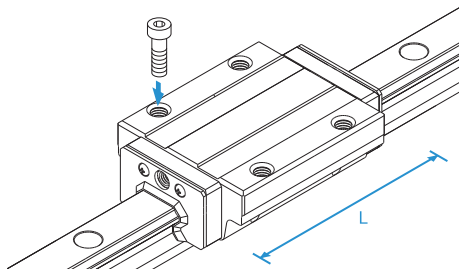
Specification Table⇒ **A1-356**



### Model HSR-M1LA

The LM block has the same cross-sectional shape as model HSR-M1A, but has a longer overall LM block length (L) and a greater rated load.

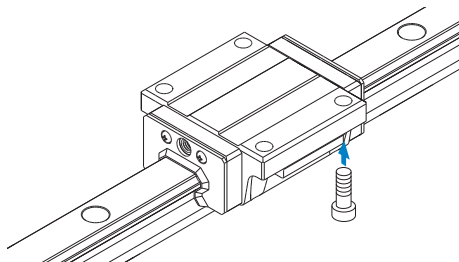
Specification Table⇒ **A1-356**



### Model HSR-M1B

The flange of the LM block has through holes. Used in places where the table cannot have through holes for mounting bolts.

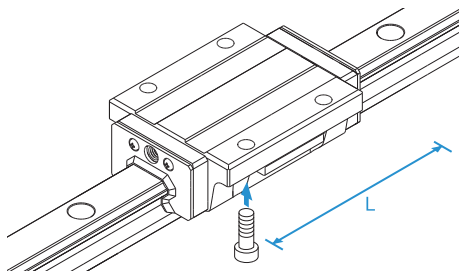
Specification Table⇒ **A1-358**



### Model HSR-M1LB

The LM block has the same sectional shape as model HSR-M1B, but has a longer overall LM block length (L) and a greater rated load.

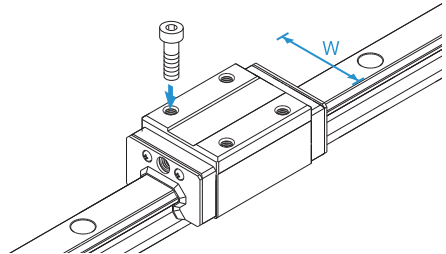
Specification Table⇒ **A1-358**



## Model HSR-M1R

With this type, the LM block has a smaller width (W) and tapped holes. Used in places where the space for table width is limited.

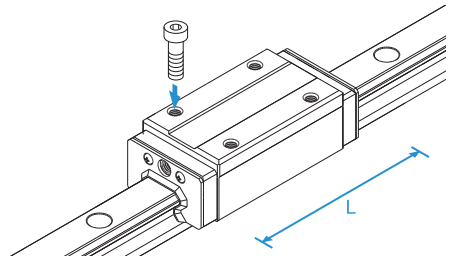
Specification Table⇒ **A1-360**



## Model HSR-M1LR

The LM block has the same sectional shape as model HSR-M1R, but has a longer overall LM block length (L) and a greater rated load.

Specification Table⇒ **A1-360**



## Model HSR-M1YR

When using two units of LM Guide facing each other, the previous model required much time in machining the table and had difficulty achieving the desired accuracy and adjusting the clearance. Since model HSR-M1YR has tapped holes on the side of the LM block, a simpler structure is gained and significant man-hour cutting and accuracy increase can be achieved.

Specification Table⇒ **A1-362**

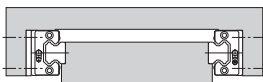
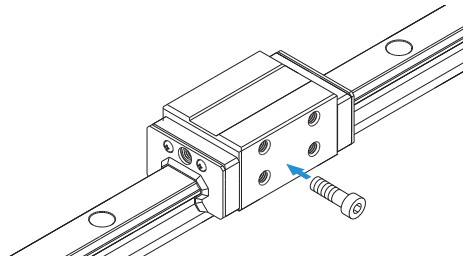


Fig.1 Conventional Structure

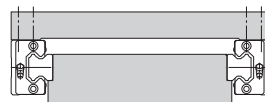


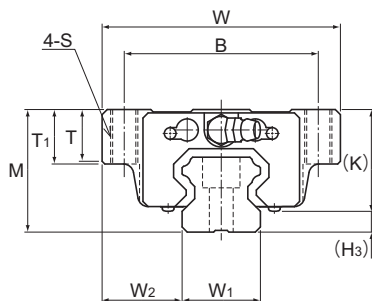
Fig.2 Mounting Structure for Model HSR-M1YR

## Service Life

When using this product in temperatures higher than 100°C, always multiply the basic dynamic load rating by the temperature coefficient when calculating the rated service life. See **A1-65** for details.



## Models HSR-M1A and HSR-M1LA



Model No.	Outer dimensions			LM block dimensions										Grease nipple	H <sub>3</sub>
	Height	Width	Length	B	C	S	L <sub>1</sub>	T	T <sub>1</sub>	K	N	E			
	M	W	L	B	C	S	L <sub>1</sub>	T	T <sub>1</sub>	K	N	E			
HSR 15M1A	24	47	59.6	38	30	M5	38.8	6.5	11	19.3	4.3	5.5	PB1021B	4.7	
HSR 20M1A HSR 20M1LA	30	63	76 92	53	40	M6	50.8 66.8	9.5	10	26	5	12	B-M6F	4	
HSR 25M1A HSR 25M1LA	36	70	83.9 103	57	45	M8	59.5 78.6	11	16	30.5	6	12	B-M6F	5.5	
HSR 30M1A HSR 30M1LA	42	90	98.8 121.4	72	52	M10	70.4 93	9	18	35	7	12	B-M6F	7	
HSR 35M1A HSR 35M1LA	48	100	112 137.4	82	62	M10	80.4 105.8	12	21	40.5	8	12	B-M6F	7.5	

Note) The length L of the high temperature type LM Guide model HSR is longer than normal type of model HSR. (Dimension L<sub>1</sub> is the same.)

### Model number coding

**HSR25 M1 A 2 UU C1 +1240L P T -II**

Model number

Type of LM block

Contamination protection accessory symbol (\*1)

LM rail length (in mm)

Symbol for LM rail jointed use

Symbol for No. of rails used on the same plane (\*4)

Symbol for high temperature type LM Guide

No. of LM blocks used on the same rail

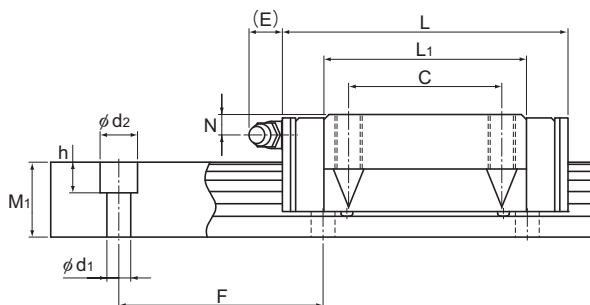
Radial clearance symbol (\*2)  
Normal (No symbol)  
Light preload (C1)  
Medium preload (C0)

Accuracy symbol (\*3)  
Normal grade (No Symbol)/High accuracy grade (H)  
Precision grade (P)/Super precision grade (SP)  
Ultra precision grade (UP)

(\*1) See contamination protection accessory on **A1-516**. (\*2) See **A1-72**. (\*3) See **A1-77**. (\*4) See **A1-13**.

Note) This model number indicates that a single-rail unit constitutes one set. (i.e., required number of sets when 2 rails are used in parallel is 2 at a minimum.)





Unit: mm

LM rail dimensions						Basic load rating		Static permissible moment $\text{kN}\cdot\text{m}^*$					Mass	
Width $W_1$ $\pm 0.05$	Width $W_2$	Height $M_1$	Pitch $F$	Length* $d_1 \times d_2 \times h$ Max	C kN	$C_0$ kN	$M_A$ 		$M_B$ 		$M_C$ 	LM block kg	LM rail kg/m	
							1 block	Double blocks	1 block	Double blocks	1 block			
15	16	15	60	$4.5 \times 7.5 \times 5.3$ 1240	10.9	15.7	0.0945	0.527	0.0945	0.527	0.0998	0.2	1.5	
20	21.5	18	60	$6 \times 9.5 \times 8.5$ 1480	19.8 23.9	27.4 35.8	0.218 0.363	1.2 1.87	0.218 0.363	1.2 1.87	0.235 0.307	0.35 0.47	2.3	
23	23.5	22	60	$7 \times 11 \times 9$ 1500	27.6 35.2	36.4 51.6	0.324 0.627	1.8 3.04	0.324 0.627	1.8 3.04	0.366 0.518	0.59 0.75	3.3	
28	31	26	80	$9 \times 14 \times 12$ 1500	40.5 48.9	53.7 70.2	0.599 0.995	3.1 4.89	0.599 0.995	3.1 4.89	0.652 0.852	1.1 1.3	4.8	
34	33	29	80	$9 \times 14 \times 12$ 1500	53.9 65	70.2 91.7	0.895 1.49	4.51 7.13	0.895 1.49	4.51 7.13	1.05 1.37	1.6 2	6.6	

Note) The maximum length under "Length\*" indicates the standard maximum length of an LM rail. (See **A1-364**.)

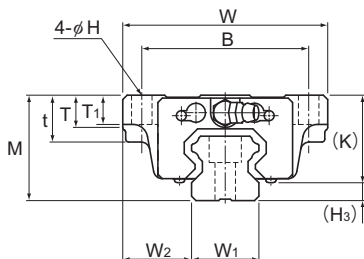
Static permissible moment\* 1 block: the static permissible moment with one LM block

Double blocks: static permissible moment when two LM blocks are in close contact with each other

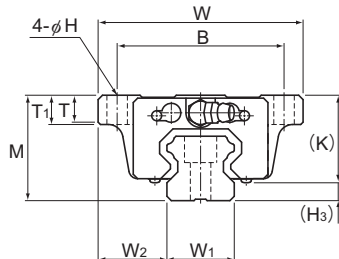
Total block length L

: The total block length L shown in the table is the length with the dust proof parts, code UU or SS.

## Models HSR-M1B and HSR-M1LB



Models HSR15, 25 to 35M1B/M1LB



Models HSR20M1B/M1LB

Model No.	Outer dimensions			LM block dimensions											Grease nipple	H <sub>3</sub>
	Height	Width	Length	B	C	H	L <sub>1</sub>	t	T	T <sub>1</sub>	K	N	E			
	M	W	L													
HSR 15M1B	24	47	59.6	38	30	4.5	38.8	11	6.5	7	19.3	4.3	5.5	PB1021B	4.7	
HSR 20M1B HSR 20M1LB	30	63	76 92	53	40	6	50.8 66.8	—	9.5	10	26	5	12	B-M6F	4	
HSR 25M1B HSR 25M1LB	36	70	83.9 103	57	45	7	59.5 78.6	16	11	10	30.5	6	12	B-M6F	5.5	
HSR 30M1B HSR 30M1LB	42	90	98.8 121.4	72	52	9	70.4 93	18	9	10	35	7	12	B-M6F	7	
HSR 35M1B HSR 35M1LB	48	100	112 137.4	82	62	9	80.4 105.8	21	12	13	40.5	8	12	B-M6F	7.5	

Note) The length L of the high temperature type LM Guide model HSR is longer than normal type of model HSR. (Dimension L<sub>1</sub> is the same.)

### Model number coding

**HSR20 M1 LB 2 UU C0 +1000L P T - II**

Model number

Type of LM block

Contamination protection accessory symbol (\*1)

LM rail length (in mm)

Symbol for LM rail jointed use

Symbol for No. of rails used on the same plane (\*4)

Symbol for high temperature type LM Guide

No. of LM blocks used on the same rail

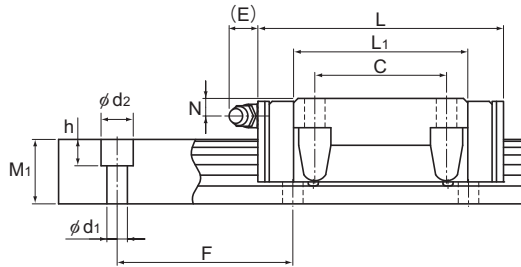
Radial clearance symbol (\*2)  
Normal (No symbol)  
Light preload (C1)  
Medium preload (C0)

Accuracy symbol (\*3)

Normal grade (No Symbol)/High accuracy grade (H)  
Precision grade (P)/Super precision grade (SP)  
Ultra precision grade (UP)

(\*1) See contamination protection accessory on **A1-516**. (\*2) See **A1-72**. (\*3) See **A1-77**. (\*4) See **A1-13**.

Note) This model number indicates that a single-rail unit constitutes one set. (i.e., required number of sets when 2 rails are used in parallel is 2 at a minimum.)



Unit: mm

LM rail dimensions						Basic load rating		Static permissible moment kN·m*					Mass	
Width $W_1$ $\pm 0.05$	Width $W_2$	Height $M_1$	Pitch $F$	Length* $d_1 \times d_2 \times h$	Length* Max	$C$ kN	$C_0$ kN	$M_A$		$M_B$		$M_C$	LM block kg	LM rail kg/m
								1 block	Double blocks	1 block	Double blocks	1 block		
15	16	15	60	4.5×7.5×5.3	1240	10.9	15.7	0.0945	0.527	0.0945	0.527	0.0998	0.2	1.5
20	21.5	18	60	6×9.5×8.5	1480	19.8 23.9	27.4 35.8	0.218 0.363	1.2 1.87	0.218 0.363	1.2 1.87	0.235 0.307	0.35 0.47	2.3
23	23.5	22	60	7×11×9	1500	27.6 35.2	36.4 51.6	0.324 0.627	1.8 3.04	0.324 0.627	1.8 3.04	0.366 0.518	0.59 0.75	3.3
28	31	26	80	9×14×12	1500	40.5 48.9	53.7 70.2	0.599 0.995	3.1 4.89	0.599 0.995	3.1 4.89	0.652 0.852	1.1 1.3	4.8
34	33	29	80	9×14×12	1500	53.9 65	70.2 91.7	0.895 1.49	4.51 7.13	0.895 1.49	4.51 7.13	1.05 1.37	1.6 2	6.6

Note) The maximum length under "Length\*" indicates the standard maximum length of an LM rail. (See **A1-364**.)

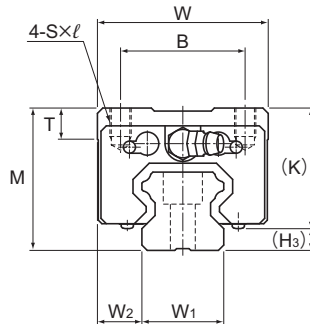
Static permissible moment\* 1 block: the static permissible moment with one LM block

Double blocks: static permissible moment when two LM blocks are in close contact with each other

Total block length L

: The total block length L shown in the table is the length with the dust proof parts, code UU or SS.

## Models HSR-M1R and HSR-M1LR



Model No.	Outer dimensions			LM block dimensions									H <sub>3</sub>
	Height	Width	Length	B	C	S×l	L <sub>1</sub>	T	K	N	E	Grease nipple	
	M	W	L	B	C	S×l	L <sub>1</sub>	T	K	N	E		H <sub>3</sub>
HSR 15M1R	28	34	59.6	26	26	M4×5	38.8	6	23.3	8.3	5.5	PB1021B	4.7
HSR 20M1R HSR 20M1LR	30	44	76 92	32	36 50	M5×6	50.8 66.8	8	26	5	12	B-M6F	4
HSR 25M1R HSR 25M1LR	40	48	83.9 103	35	35 50	M6×8	59.5 78.6	8	34.5	10	12	B-M6F	5.5
HSR 30M1R HSR 30M1LR	45	60	98.8 121.4	40	40 60	M8×10	70.4 93	8	38	10	12	B-M6F	7
HSR 35M1R HSR 35M1LR	55	70	112 137.4	50	50 72	M8×12	80.4 105.8	10	47.5	15	12	B-M6F	7.5

Note) The length L of the high temperature type LM Guide model HSR is longer than normal type of model HSR. (Dimension L<sub>1</sub> is the same.)

### Model number coding

**HSR35 M1 R 2 UU C0 +1080L P T -II**

Model number

Type of LM block

Contamination protection accessory symbol (\*1)

LM rail length (in mm)

Symbol for LM rail jointed use

Symbol for No. of rails used on the same plane (\*4)

Symbol for high temperature type LM Guide

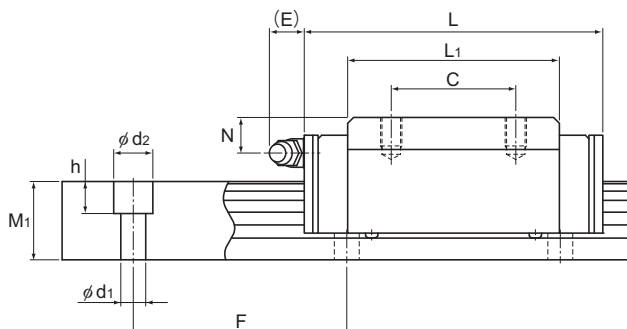
No. of LM blocks used on the same rail

Radial clearance symbol (\*2)  
Normal (No symbol)  
Light preload (C1)  
Medium preload (C0)

Accuracy symbol (\*3)  
Normal grade (No Symbol)/High accuracy grade (H)  
Precision grade (P)/Super precision grade (SP)  
Ultra precision grade (UP)

(\*1) See contamination protection accessory on **A1-516**. (\*2) See **A1-72**. (\*3) See **A1-77**. (\*4) See **A1-13**.

Note) This model number indicates that a single-rail unit constitutes one set. (i.e., required number of sets when 2 rails are used in parallel is 2 at a minimum.)



Unit: mm

LM rail dimensions						Basic load rating		Static permissible moment kN·m*					Mass	
Width	Height	Pitch		Length*	C	C <sub>0</sub>	M <sub>A</sub>		M <sub>B</sub>		M <sub>C</sub>	LM block	LM rail	
W <sub>1</sub> ±0.05	W <sub>2</sub>	M <sub>1</sub>	F	d <sub>1</sub> × d <sub>2</sub> × h	Max	kN	kN	1 block	Double blocks	1 block	Double blocks	1 block	kg	kg/m
15	9.5	15	60	4.5 × 7.5 × 5.3	1240	10.9	15.7	0.0945	0.527	0.0945	0.527	0.0998	0.2	1.5
20	12	18	60	6 × 9.5 × 8.5	1480	19.8 23.9	27.4 35.8	0.218 0.363	1.2 1.87	0.218 0.363	1.2 1.87	0.235 0.307	0.35 0.47	2.3
23	12.5	22	60	7 × 11 × 9	1500	27.6 35.2	36.4 51.6	0.324 0.627	1.8 3.04	0.324 0.627	1.8 3.04	0.366 0.518	0.59 0.75	3.3
28	16	26	80	9 × 14 × 12	1500	40.5 48.9	53.7 70.2	0.599 0.995	3.1 4.89	0.599 0.995	3.1 4.89	0.652 0.852	1.1 1.3	4.8
34	18	29	80	9 × 14 × 12	1500	53.9 65	70.2 91.7	0.895 1.49	4.51 7.13	0.895 1.49	4.51 7.13	1.05 1.37	1.6 2	6.6

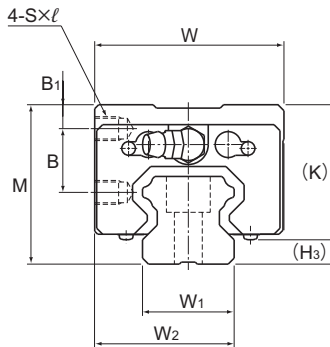
Note) The maximum length under "Length\*" indicates the standard maximum length of an LM rail. (See **A1-364**.)

Static permissible moment\* 1 block: the static permissible moment with one LM block

Double blocks: static permissible moment when two LM blocks are in close contact with each other

Total block length L : The total block length L shown in the table is the length with the dust proof parts, code UU or SS.

# Model HSR-M1YR



Model No.	Outer dimensions			LM block dimensions									Grease nipple	H <sub>3</sub>
	Height	Width	Length	B <sub>1</sub>	B	C	S × l	L <sub>1</sub>	K	N	E			
	M	W	L											
HSR 15M1YR	28	33.5	59.6	4.3	11.5	18	M4 × 5	38.8	23.3	8.3	5.5	PB1021B	4.7	
HSR 20M1YR	30	43.5	76	4	11.5	25	M5 × 6	50.8	26	5	12	B-M6F	4	
HSR 25M1YR	40	47.5	83.9	6	16	30	M6 × 6	59.5	34.5	10	12	B-M6F	5.5	
HSR 30M1YR	45	59.5	98.8	8	16	40	M6 × 9	70.4	38	10	12	B-M6F	7	
HSR 35M1YR	55	69.5	112	8	23	43	M8 × 10	80.4	47.5	15	12	B-M6F	7.5	

Note) The length L of the high temperature type LM Guide model HSR-YR is longer than normal type of model HSR-YR. (Dimension L<sub>1</sub> is the same.)

## Model number coding

**HSR25 M1 YR 2 UU C0 +1200L P T -II**

Model number

Type of LM block

Contamination protection accessory symbol (\*1)

LM rail length (in mm)

Symbol for LM rail jointed use

Symbol for No. of rails used on the same plane (\*4)

Symbol for high temperature type LM Guide

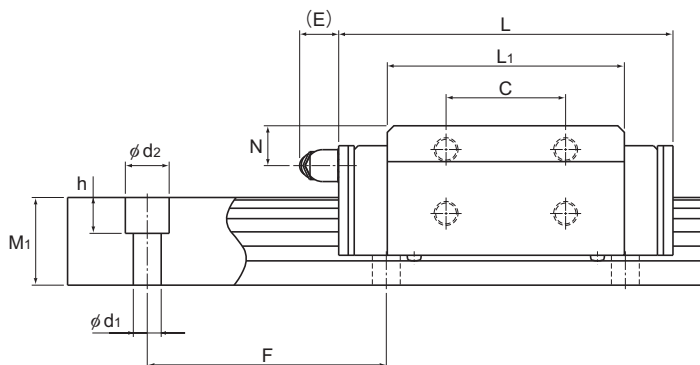
No. of LM blocks used on the same rail

Radial clearance symbol (\*2)  
Normal (No symbol)  
Light preload (C1)  
Medium preload (C0)

Accuracy symbol (\*3)  
Normal grade (No Symbol)/High accuracy grade (H)  
Precision grade (P)/Super precision grade (SP)  
Ultra precision grade (UP)

(\*1) See contamination protection accessory on **A1-516**. (\*2) See **A1-72**. (\*3) See **A1-77**. (\*4) See **A1-13**.

Note) This model number indicates that a single-rail unit constitutes one set. (i.e., required number of sets when 2 rails are used in parallel is 2 at a minimum.)



Unit: mm

	LM rail dimensions						Basic load rating		Static permissible moment $kN \cdot m^*$					Mass	
	Width		Height	Pitch		Length*	C	$C_0$	$M_A$		$M_B$		$M_C$	LM block	LM rail
	$W_1$ $\pm 0.05$	$W_2$	$M_1$	F	$d_1 \times d_2 \times h$	Max	kN	kN	1 block	Double blocks	1 block	Double blocks	1 block	kg	kg/m
	15	24	15	60	$4.5 \times 7.5 \times 5.3$	1240	10.9	15.7	0.0945	0.527	0.0945	0.527	0.0998	0.2	1.5
	20	31.5	18	60	$6 \times 9.5 \times 8.5$	1480	19.8	27.4	0.218	1.2	0.218	1.2	0.235	0.35	2.3
	23	35	22	60	$7 \times 11 \times 9$	1500	27.6	36.4	0.324	1.8	0.324	1.8	0.366	0.59	3.3
	28	43.5	26	80	$9 \times 14 \times 12$	1500	40.5	53.7	0.599	3.1	0.599	3.1	0.652	1.3	4.8
	34	51.5	29	80	$9 \times 14 \times 12$	1500	53.9	70.2	0.895	4.51	0.895	4.51	1.05	1.6	6.6

Note) The maximum length under "Length\*" indicates the standard maximum length of an LM rail. (See **A1-364**.)

Static permissible moment\* 1 block: the static permissible moment with one LM block

Double blocks: static permissible moment when two LM blocks are in close contact with each other

Total block length L

: The total block length L shown in the table is the length with the dust proof parts, code UU or SS.

## Standard Length and Maximum Length of the LM Rail

Table1 shows the standard lengths and the maximum lengths of model HSR-M1 variations. If the maximum length of the desired LM rail exceeds them, jointed rails will be used. Contact THK for details.

For special rail lengths, it is recommended to use a value corresponding to the G,g dimension from the table. As the G,g dimension increases, this portion becomes less stable, and the accuracy performance is severely impacted.

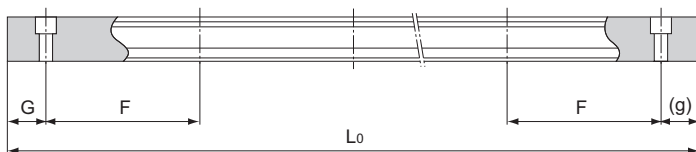


Table1 Standard Length and Maximum Length of the LM Rail for Model HSR-M1

Unit: mm

Model No.	HSR 15M1	HSR 20M1	HSR 25M1	HSR 30M1	HSR 35M1
LM rail standard length ( $L_0$ )	160	220	220	280	280
	220	280	280	360	360
	280	340	340	440	440
	340	400	400	520	520
	400	460	460	600	600
	460	520	520	680	680
	520	580	580	760	760
	580	640	640	840	840
	640	700	700	920	920
	700	760	760	1000	1000
	760	820	820	1080	1080
	820	940	940	1160	1160
	940	1000	1000	1240	1240
	1000	1060	1060	1320	1320
	1060	1120	1120	1400	1400
1120	1180	1180	1480	1480	
1180	1240	1240			
1240	1360	1300			
	1480	1360			
		1420			
		1480			
Standard pitch F	60	60	60	80	80
G,g	20	20	20	20	20
Max length	1240	1480	1500	1500	1500

Note1) The maximum length varies with accuracy grades. Contact THK for details.

Note2) If jointed rails are not allowed and a greater length than the maximum values above is required, contact THK.

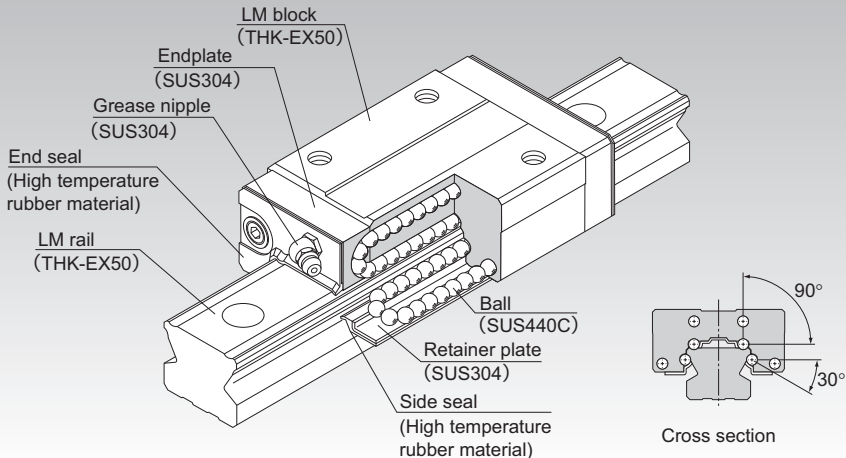
Note3) The values for HSR-M1 also apply to HSR-M1YR.





# SR-M1

## LM Guide High Temperature Type Model SR-M1



<b>Point of Selection</b>	<b>A1-10</b>
<b>Point of Design</b>	<b>A1-454</b>
<b>Options</b>	<b>A1-477</b>
<b>Model No.</b>	<b>A1-543</b>
<b>Precautions on Use</b>	<b>A1-549</b>
<b>Accessories for Lubrication</b>	<b>A24-1</b>
<b>Mounting Procedure and Maintenance</b>	<b>B1-89</b>
Equivalent moment factor	<b>A1-43</b>
Rated Loads in All Directions	<b>A1-59</b>
Equivalent factor in each direction	<b>A1-61</b>
Radial Clearance	<b>A1-72</b>
Accuracy Standards	<b>A1-77</b>
Shoulder Height of the Mounting Base and the Corner Radius	<b>A1-463</b>
Permissible Error of the Mounting Surface	<b>A1-470</b>
Dimensions of Each Model with an Option Attached	<b>A1-491</b>

---

## Structure and Features

---

Balls roll in four rows of raceways precision-ground on an LM rail and an LM block, and endplates incorporated in the LM block allow the balls to circulate.

Since it is a compactly designed model that has a low sectional height and a ball contact structure rigid in the radial direction, this model is optimal for horizontal guide units.

High temperature type LM Guide model SR-M1 is capable of being used at service temperature up to 150°C thanks to THK's unique technologies in material, heat treatment and lubrication.

### [Maximum Service Temperature: 150°C]

Use of stainless steel in the endplates and high temperature rubber in the end seals achieves the maximum service temperature of 150°C.

### [Dimensional Stability]

Since it is dimensionally stabilized, it demonstrates superb dimensional stability after being heated or cooled (note that it shows linear expansion at high temperature).

### [Highly Corrosion Resistant]

Since the LM block, LM rail and balls use stainless steel, which is highly corrosion resistant, this model is optimal for clean room applications.

### [High Temperature Grease]

This model uses high temperature grease that shows little grease-based fluctuation in rolling resistance even if temperature changes from low to high levels.

---

## Thermal Characteristics of LM Rail and LM Block Materials

---

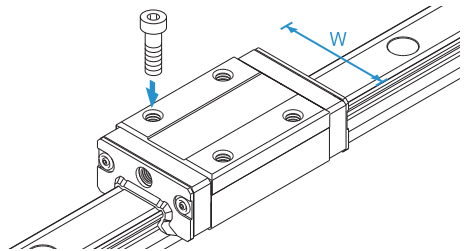
- Specific heat capacity: 0.481 J/(g•K)
- Thermal conductivity: 20.67 W/(m•K)
- Average coefficient of linear expansion:  $11.8 \times 10^{-6}/^{\circ}\text{C}$

## Types and Features

### Model SR-M1W

With this type, the LM block has a smaller width (W) and tapped holes.

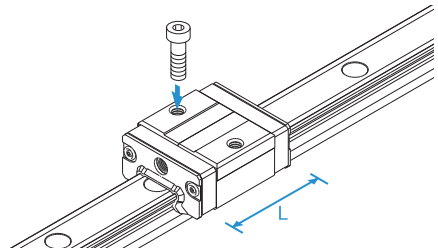
Specification Table⇒[A1-370](#)



### Model SR-M1V

A space-saving type whose LM block has the same cross-sectional shape as model SR-M1W, but has a smaller overall LM block length (L).

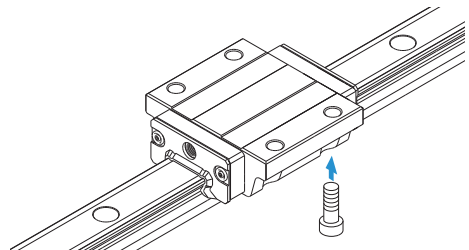
Specification Table⇒[A1-370](#)



### Model SR-M1TB

The LM block has the same height as model SR-M1W and can be mounted from the bottom.

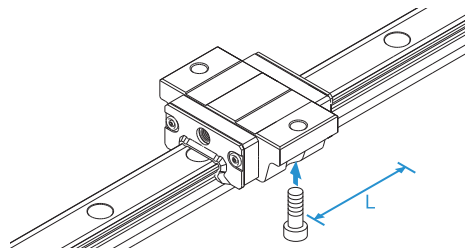
Specification Table⇒[A1-372](#)



### Model SR-M1SB

A space-saving type whose LM block has the same sectional shape as model SR-M1TB, but has a smaller overall LM block length (L).

Specification Table⇒[A1-372](#)



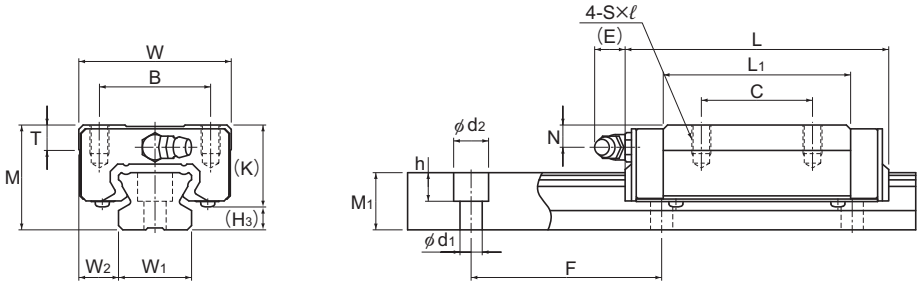
---

## Service Life

---

When using this product in temperatures higher than 100°C, always multiply the basic dynamic load rating by the temperature coefficient when calculating the rated service life. See **A1-65** for details.

# Models SR-M1W and SR-M1V



Model SR-M1W

Model No.	Outer dimensions			LM block dimensions									Grease nipple	H <sub>3</sub>
	Height	Width	Length	B	C	S × ℓ	L <sub>1</sub>	T	K	N	E			
	M	W	L	B	C	S × ℓ	L <sub>1</sub>	T	K	N	E		H <sub>3</sub>	
SR 15M1V SR 15M1W	24	34	40.4 57	26	— 26	M4 × 7	22.9 39.5	6	19.5	6	5.5	PB1021B	4.5	
SR 20M1V SR 20M1W	28	42	47.3 66.2	32	— 32	M5 × 8	27.8 46.7	7.5	22	6	12	B-M6F	6	
SR 25M1V SR 25M1W	33	48	59.2 83	35	— 35	M6 × 9	35.2 59	8	26	7	12	B-M6F	7	
SR 30M1V SR 30M1W	42	60	67.9 96.8	40	— 40	M8 × 12	40.4 69.3	9	32.5	8	12	B-M6F	9.5	
SR 35M1V SR 35M1W	48	70	77.6 111	50	— 50	M8 × 12	45.7 79	13	36.5	8.5	12	B-M6F	11.5	

## Model number coding

**SR30 M1 W 2 UU C0 +1160L Y P T - II**

Model number

Type of LM block

Contamination protection accessory symbol (\*1)

LM rail length (in mm)

Applied to only 15 and 25

Symbol for LM rail jointed use

Symbol for No. of rails used on the same plane (\*4)

Symbol for high temperature type LM Guide

No. of LM blocks used on the same rail

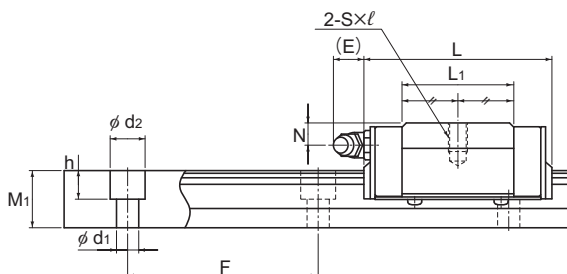
Radial clearance symbol (\*2)  
Normal (No symbol)  
Light preload (C1)  
Medium preload (C0)

Accuracy symbol (\*3)

Normal grade (No Symbol)/High accuracy grade (H)  
Precision grade (P)/Super precision grade (SP)  
Ultra precision grade (UP)

(\*1) See contamination protection accessory on **A1-516**. (\*2) See **A1-72**. (\*3) See **A1-77**. (\*4) See **A1-13**.

Note) This model number indicates that a single-rail unit constitutes one set. (i.e., required number of sets when 2 rails are used in parallel is 2 at a minimum.)



Model SR-M1V

Unit: mm

LM rail dimensions						Basic load rating		Static permissible moment kN·m*					Mass	
Width W <sub>1</sub> ±0.05	W <sub>2</sub>	Height M <sub>1</sub>	Pitch F	d <sub>1</sub> × d <sub>2</sub> × h	Length* Max	C kN	C <sub>0</sub> kN	M <sub>A</sub>		M <sub>B</sub>		M <sub>C</sub>	LM block kg	LM rail kg/m
								1 block	Double blocks	1 block	Double blocks	1 block		
15	9.5	12.5	60	3.5 × 6 × 4.5	1240	9.1 13.8	11.7 20.5	0.0344 0.0984	0.234 0.551	0.0215 0.0604	0.149 0.343	0.0694 0.122	0.12 0.2	1.2
20	11	15.5	60	6 × 9.5 × 8.5	1500	13.4 19.2	17.2 28.6	0.064 0.167	0.396 0.887	0.0397 0.102	0.25 0.55	0.135 0.224	0.2 0.3	2.1
23	12.5	18	60	7 × 11 × 9	1500	21.6 30.9	26.8 44.7	0.125 0.326	0.773 1.74	0.0774 0.2	0.488 1.08	0.245 0.408	0.3 0.4	2.7
28	16	23	80	7 × 11 × 9	1500	29.5 45.6	34.4 64.4	0.173 0.564	1.15 2.92	0.108 0.346	0.735 1.8	0.376 0.703	0.5 0.8	4.3
34	18	27.5	80	9 × 14 × 12	1500	40.9 60.4	46.7 81.8	0.275 0.785	1.79 4.27	0.171 0.482	1.14 2.65	0.615 1.08	0.8 1.2	6.4

Note1) The maximum length under "Length\*" indicates the standard maximum length of an LM rail. (See **A1-374**)  
 Static permissible moment\* 1 block: the static permissible moment with one LM block

Double blocks: static permissible moment when two LM blocks are in close contact with each other  
 Total block length L : The total block length L shown in the table is the length with the dust proof parts, code UU or SS.

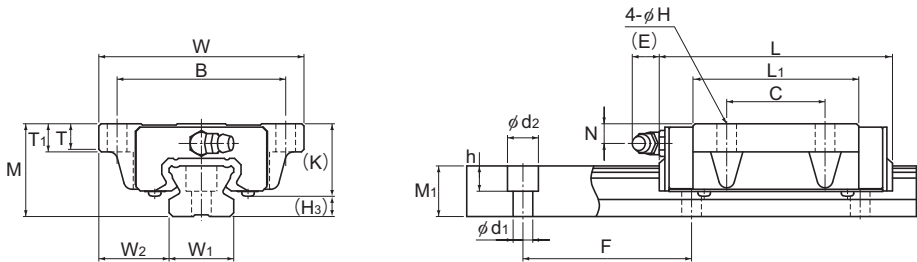
Note2) For models SR15 and 25, two types of rails with different mounting hole dimensions are offered (see Table1).  
 When, replacing this model with model SSR, pay attention to the mounting hole dimension of the LM rail.  
 Contact THK for details.

Note3) The basic load rating in the dimension table is for a load in the radial direction. Use Table7 on **A1-59** to calculate the load rating for loads in the reverse radial direction or lateral direction.

Table1 The dimension of the rail mounting hole

Model No.	Standard rail	Semi-Standard rail
SR 15	For M3 (No symbol)	For M4 (Symbol Y)
SR 25	For M6 (Symbol Y)	For M5 (No symbol)

# Models SR-M1TB and SR-M1SB



Model SR-M1TB

Model No.	Outer dimensions			LM block dimensions										Grease nipple	H <sub>3</sub>
	Height	Width	Length	B	C	H	L <sub>1</sub>	T	T <sub>1</sub>	K	N	E			
	M	W	L	B	C	H	L <sub>1</sub>	T	T <sub>1</sub>	K	N	E			
SR 15M1SB SR 15M1TB	24	52	40.4 57	41	— 26	4.5	22.9 39.5	6.1	7	19.5	6	5.5	PB1021B	4.5	
SR 20M1SB SR 20M1TB	28	59	47.3 66.2	49	— 32	5.5	27.8 46.7	8	9	22	6	12	B-M6F	6	
SR 25M1SB SR 25M1TB	33	73	59.2 83	60	— 35	7	35.2 59	9	10	26	7	12	B-M6F	7	
SR 30M1SB SR 30M1TB	42	90	67.9 96.8	72	— 40	9	40.4 69.3	8.7	10	32.5	8	12	B-M6F	9.5	
SR 35M1SB SR 35M1TB	48	100	77.6 111	82	— 50	9	45.7 79	11.2	13	36.5	8.5	12	B-M6F	11.5	

## Model number coding

**SR30 M1 W 2 UU C0 +1000L Y P T - II**

Model number

Type of LM block

Contamination protection accessory symbol (\*1)

LM rail length (in mm)

Applied to only 15 and 25

Symbol for LM rail jointed use

Symbol for No. of rails used on the same plane (\*4)

Symbol for high temperature type LM Guide

No. of LM blocks used on the same rail

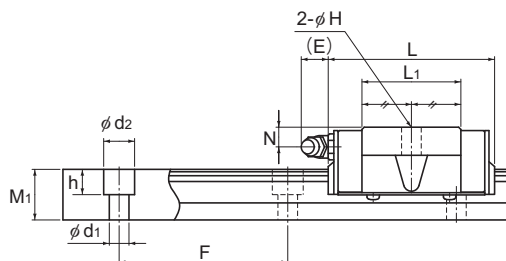
Radial clearance symbol (\*2)  
Normal (No symbol)  
Light preload (C1)  
Medium preload (C0)

Accuracy symbol (\*3)

Normal grade (No Symbol)/High accuracy grade (H)  
Precision grade (P)/Super precision grade (SP)  
Ultra precision grade (UP)(\*1) See contamination protection accessory on **A1-516**. (\*2) See **A1-72**. (\*3) See **A1-77**. (\*4) See **A1-13**.

Note) This model number indicates that a single-rail unit constitutes one set. (i.e., required number of sets when 2 rails are used in parallel is 2 at a minimum.)





Model SR-M1SB

Unit: mm

LM rail dimensions						Basic load rating		Static permissible moment kN·m*					Mass	
Width $W_1$ $\pm 0.05$	Height $M_1$	Pitch $F$	Length* Max	$d_1 \times d_2 \times h$	C kN	$C_0$ kN	$M_A$		$M_B$		$M_C$	LM block kg	LM rail kg/m	
							1 block	Double blocks	1 block	Double blocks	1 block			
15	18.5	12.5	60	3.5×6×4.5	1240	9.1 13.8	11.7 20.5	0.0344 0.0984	0.234 0.551	0.0215 0.0604	0.149 0.343	0.0694 0.122	0.12 0.2	1.2
20	19.5	15.5	60	6×9.5×8.5	1500	13.4 19.2	17.2 28.6	0.064 0.167	0.396 0.887	0.0397 0.102	0.25 0.55	0.135 0.224	0.2 0.3	2.1
23	25	18	60	7×11×9	1500	21.6 30.9	26.8 44.7	0.125 0.326	0.773 1.74	0.0774 0.2	0.488 1.08	0.245 0.408	0.3 0.4	2.7
28	31	23	80	7×11×9	1500	29.5 45.6	34.4 64.4	0.173 0.564	1.15 2.92	0.108 0.346	0.735 1.8	0.376 0.703	0.5 0.8	4.3
34	33	27.5	80	9×14×12	1500	40.9 60.4	46.7 81.8	0.275 0.785	1.79 4.27	0.171 0.482	1.14 2.65	0.615 1.08	0.8 1.2	6.4

Note1) The maximum length under "Length\*" indicates the standard maximum length of an LM rail. (See **A1-374**)  
 Static permissible moment\* 1 block: the static permissible moment with one LM block

Double blocks: static permissible moment when two LM blocks are in close contact with each other  
 Total block length L : The total block length L shown in the table is the length with the dust proof parts, code UU or SS.

Note2) For models SR15 and 25, two types of rails with different mounting hole dimensions are offered (see Table1).  
 When, replacing this model with model SSR, pay attention to the mounting hole dimension of the LM rail.  
 Contact THK for details.

Note3) The basic load rating in the dimension table is for a load in the radial direction. Use Table7 on **A1-59** to calculate the load rating for loads in the reverse radial direction or lateral direction.

Table1 The dimension of the rail mounting hole

Model No.	Standard rail	Semi-Standard rail
SR 15	For M3 (No symbol)	For M4 (Symbol Y)
SR 25	For M6 (Symbol Y)	For M5 (No symbol)

## Standard Length and Maximum Length of the LM Rail

Table1 shows the standard lengths and the maximum lengths of model SR-M1 variations. If the maximum length of the desired LM rail exceeds them, jointed rails will be used. Contact THK for details.

For special rail lengths, it is recommended to use a value corresponding to the G,g dimension from the table. As the G,g dimension increases, this portion becomes less stable, and the accuracy performance is severely impacted.

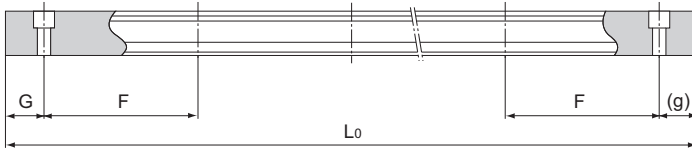


Table1 Standard Length and Maximum Length of the LM Rail for Model SR-M1

Unit: mm

Model No.	SR 15M1	SR 20M1	SR 25M1	SR 30M1	SR 35M1
LM rail standard length ( $L_0$ )	160	220	220	280	280
	220	280	280	360	360
	280	340	340	440	440
	340	400	400	520	520
	400	460	460	600	600
	460	520	520	680	680
	520	580	580	760	760
	580	640	640	840	840
	640	700	700	920	920
	700	760	760	1000	1000
	760	820	820	1080	1080
	820	940	940	1160	1160
	940	1000	1000	1240	1240
	1000	1060	1060	1320	1320
	1060	1120	1120	1400	1400
	1120	1180	1240	1480	1480
1180	1240	1300			
1240	1300	1360			
	1360	1420			
	1420	1480			
Standard pitch F	60	60	60	80	80
G,g	20	20	20	20	20
Max length	1240	1500	1500	1500	1500

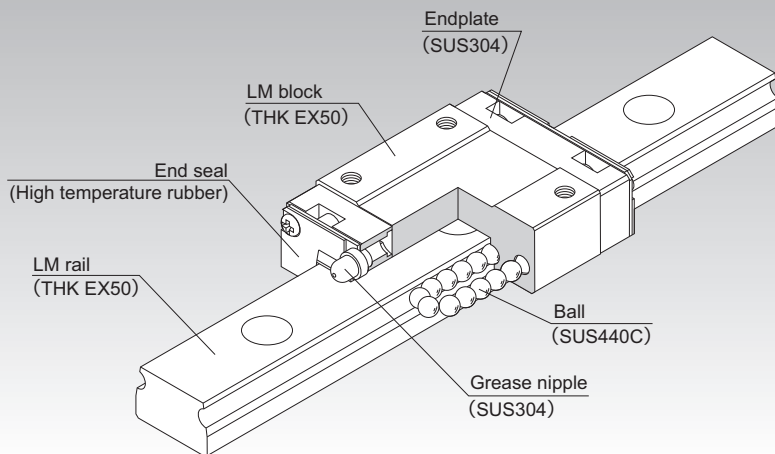
Note1) The maximum length varies with accuracy grades. Contact THK for details.

Note2) If jointed rails are not allowed and a greater length than the maximum values above is required, contact THK.



# RSR-M1

## LM Guide High Temperature Type Model RSR-M1



**Point of Selection** **A1-10**

**Point of Design** **A1-454**

**Options** **A1-477**

**Model No.** **A1-543**

**Precautions on Use** **A1-549**

**Accessories for Lubrication** **A24-1**

**Mounting Procedure and Maintenance** **B1-89**

Equivalent moment factor **A1-43**

Rated Loads in All Directions **A1-59**

Equivalent factor in each direction **A1-61**

Radial Clearance **A1-72**

Accuracy Standards **A1-83**

Shoulder Height of the Mounting Base and the Corner Radius **A1-469**

Permissible Error of the Mounting Surface **A1-471**

Flatness of the Mounting Surface **A1-472**

Dimensions of Each Model with an Option Attached **A1-491**

---

## Structure and Features

---

Balls roll in two rows of raceways precision-ground on an LM rail and an LM block, and endplates incorporated in the LM block allow the balls to circulate.

High temperature type miniature LM Guide model RSR-M1 is capable of being used at service temperature up to 150°C thanks to THK's unique technologies in material, heat treatment and lubrication.

### [Maximum Service Temperature: 150°C]

Use of stainless steel in the endplates and high temperature rubber in the end seals achieves the maximum service temperature of 150°C.

### [Dimensional Stability]

Since it is dimensionally stabilized, it demonstrates superb dimensional stability after being heated or cooled (note that it shows linear expansion at high temperature).

### [Highly Corrosion Resistant]

Since the LM block, LM rail and balls use stainless steel, which is highly corrosion resistant, this model is optimal for clean room applications.

### [High Temperature Grease]

This model uses high temperature grease that shows little grease-based fluctuation in rolling resistance even if temperature changes from low to high levels.

---

## Thermal Characteristics of LM Rail and LM Block Materials

---

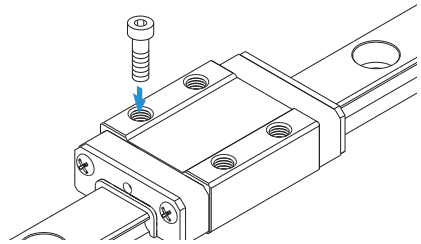
- Specific heat capacity: 0.481 J/(g•K)
- Thermal conductivity: 20.67 W/(m•K)
- Average coefficient of linear expansion:  $11.8 \times 10^{-6}/^{\circ}\text{C}$

## Types and Features

### Models RSR-M1, RSR-M1K, M1V

Specification Table⇒ **A1-380**

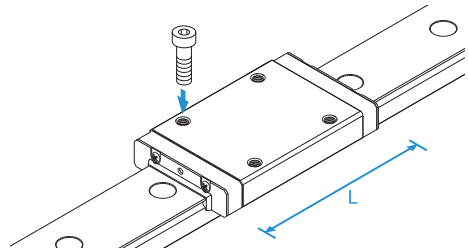
This model is a standard type.



### Model RSR-M1N

Specification Table⇒ **A1-380**

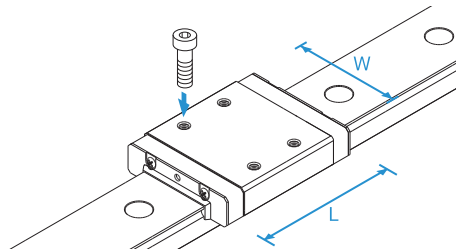
It has a longer overall LM block length (L) and a greater rated load than standard types.



### Models RSR-M1W, M1WV

Specification Table⇒ **A1-382**

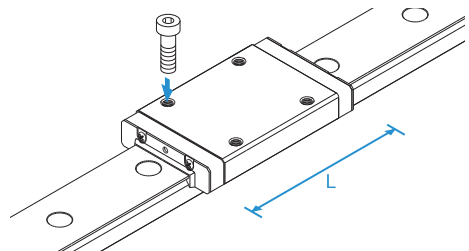
These models have greater overall LM block lengths (L), broader widths (W) and greater rated loads and permissible moments than standard types.



### Model RSR-M1WN

Specification Table⇒ **A1-382**

It has a longer overall LM block length (L), a greater rated load than standard types. Achieves the greatest load capacity among the high temperature type miniature LM Guide models.



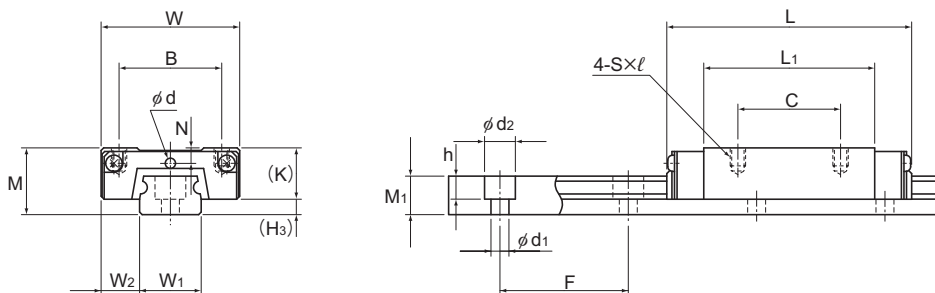
---

## Service Life

---

When using this product in temperatures higher than 100°C, always multiply the basic dynamic load rating by the temperature coefficient when calculating the rated service life. See **A1-65** for details.

## Models RSR-M1K, RSR-M1V and RSR-M1N



Models RSR9M1K/9M1N and RSR12M1V/M1N

Model No.	Outer dimensions			LM block dimensions										H <sub>3</sub>
	Height	Width	Length	B	C	S×l	L <sub>1</sub>	T	K	N	E	Greasing hole	Grease nipple	
	M	W	L									d		
RSR 9M1K RSR 9M1N	10	20	30.8 41	15	10 16	M3×3	19.8 29.8	—	7.8	—	—	—	—	2.2
RSR 12M1V RSR 12M1N	13	27	35 47.7	20	15 20	M3×3.5	20.6 33.3	—	10	3	—	2	—	3
RSR 15M1V RSR 15M1N	16	32	43 61	25	20 25	M3×4	25.7 43.5	—	12	3.5	3.6 3.7	—	PB107	4
RSR 20M1V RSR 20M1N	25	46	66.5 86.3	38	38	M4×6	45.2 65	5.7	17.5	5	6.4	—	A-M6F	7.5

### Model number coding

**2 RSR15 M1 V UU C1 +230L P T -II**

Model number

Type of LM block

Contamination protection accessory symbol (\*2)

LM rail length (in mm)

Symbol for LM rail jointed use

Symbol for No. of rails used on the same plane (\*5)

No. of LM blocks used on the same rail (\*1)

Symbol for high temperature type LM Guide

Radial clearance symbol (\*3)  
Normal (No symbol)  
Light preload (C1)

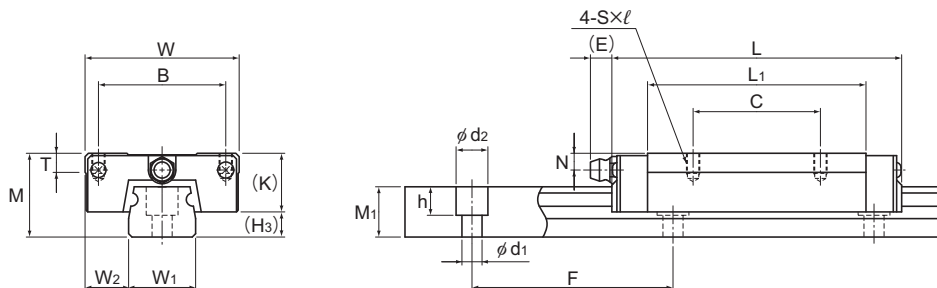
Accuracy symbol (\*4)  
Normal grade (No Symbol)/High accuracy grade (H)  
Precision grade (P)

(\*1) No symbol for 1 LM block. (\*2) See contamination protection accessories on **A1-516**.

(\*3) See **A1-72**. (\*4) See **A1-83**. (\*5) See **A1-13**.

Note) This model number indicates that a single-rail unit constitutes one set. (i.e., required number of sets when 2 rails are used in parallel is 2 at a minimum.)





Models RSR15 and 20M1V/M1N

Unit: mm

	LM rail dimensions						Basic load rating		Static permissible moment N·m*						Mass	
	Width		Height		Pitch	Length*	C	C <sub>0</sub>	M <sub>A</sub>		M <sub>B</sub>		M <sub>C</sub>	LM block	LM rail	
	W <sub>1</sub>	W <sub>2</sub>	M <sub>1</sub>	F	d <sub>1</sub> ×d <sub>2</sub> ×h				Max	1 block	Double blocks	1 block	Double blocks			1 block
	W <sub>1</sub>	W <sub>2</sub>	M <sub>1</sub>	F	d <sub>1</sub> ×d <sub>2</sub> ×h	Max	kN	kN	1 block	Double blocks	1 block	Double blocks	1 block	kg	kg/m	
9	<sup>0</sup> <sub>-0.02</sub>	5.5	5.5	20	3.5×6×3.3	1240	1.47 2.6	2.25 3.96	7.34 18.4	43.3 97	7.34 18.4	43.3 97	10.4 18.4	0.018 0.027	0.32	
12	<sup>0</sup> <sub>-0.025</sub>	7.5	7.5	25	3.5×6×4.5	1430	2.65 4.3	4.02 6.65	11.4 28.9	74.9 163	10.1 25.5	67.7 145	19.2 31.8	0.037 0.055	0.58	
15	<sup>0</sup> <sub>-0.025</sub>	8.5	9.5	40	3.5×6×4.5	1600	4.41 7.16	6.57 10.7	23.7 63.1	149 330	21.1 55.6	135 293	38.8 63	0.069 0.093	0.925	
20	<sup>0</sup> <sub>-0.03</sub>	13	15	60	6×9.5×8.5	1800	8.82 14.2	12.7 20.6	75.4 171	435 897	66.7 151	389 795	96.6 157	0.245 0.337	1.95	

Note1) The maximum length under "Length\*" indicates the standard maximum length of an LM rail. (See [A1-384](#).)

Static permissible moment\* 1 block: the static permissible moment with one LM block

Double blocks: static permissible moment when two LM blocks are in close contact with each other

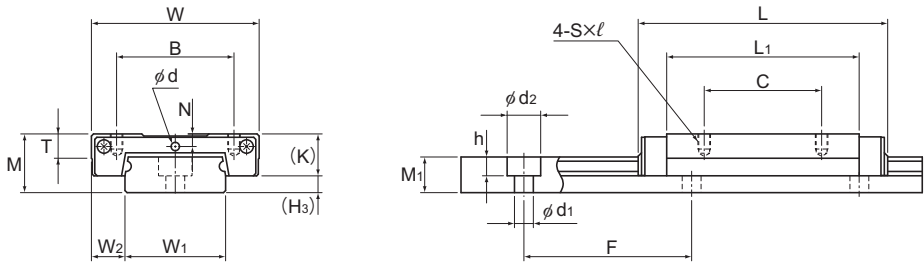
Total block length L

: The total block length L shown in the table is the length with the dust-proof parts (code: UU).

Please be aware that balls will fall out if the LM block is removed from the LM rail.

Note2) The basic load rating in the dimension table is for a load in the radial direction. Use Table7 on [A1-59](#) to calculate the load rating for loads in the reverse radial direction or lateral direction.

## Models RSR-M1WV and RSR-M1WN



Models RSR9 and 12M1WV/M1WN

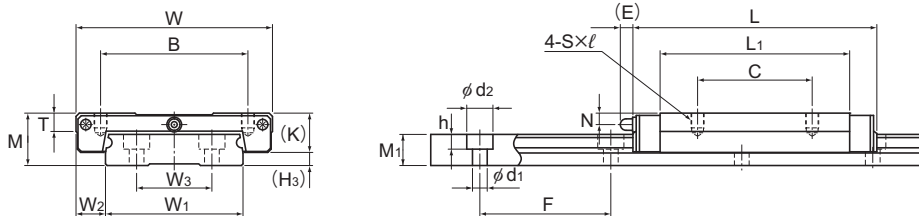
Model No.	Outer dimensions			LM block dimensions										H <sub>3</sub>
	Height	Width	Length	B	C	S × ℓ	L <sub>1</sub>	T	K	N	E	Greasing hole d	Grease nipple	
	M	W	L	B	C	S × ℓ	L <sub>1</sub>	T	K	N	E	d		H <sub>3</sub>
RSR 9M1WV RSR 9M1WN	12	30	39 50.7	21 23	12 24	M2.6×3 M3×3	27 38.7	—	7.8	2	—	1.6	—	4.2
RSR 12M1WV RSR 12M1WN	14	40	44.5 59.5	28	15 28	M3×3.5	30.9 45.9	4.5	10	3	—	2	—	4
RSR 15M1WV RSR 15M1WN	16	60	55.5 74.5	45	20 35	M4×4.5	38.9 57.9	5.6	12	3.5	3	—	PB107	4

### Model number coding

**2 RSR12 M1 WN UU C1 +310L P T**

2	RSR12	M1	WN	UU	C1	+310L	P	T
No. of LM blocks used on the same rail (*1)	Model number	Symbol for high temperature type LM Guide	Type of LM block	Contamination protection accessory symbol (*2)	Radial clearance symbol (*3) Normal (No symbol) Light preload (C1)	LM rail length (in mm)	Symbol for LM rail jointed use	Accuracy symbol (*4) Normal grade (No Symbol)/High accuracy grade (H) Precision grade (P)

(\*1) No symbol for 1 LM block.  
(\*2) See contamination protection accessories on **A1-516**. (\*3) See **A1-72**. (\*4) See **A1-83**.



Models RSR15M1WV/M1WN

Unit: mm

	LM rail dimensions							Basic load rating		Static permissible moment N·m*					Mass	
	Width		Height	Pitch	Length*	C	C <sub>0</sub>	M <sub>A</sub>		M <sub>B</sub>		M <sub>C</sub>	LM block	LM rail		
	W <sub>1</sub>	W <sub>2</sub>						W <sub>3</sub>	M <sub>1</sub>	F	d <sub>1</sub> × d <sub>2</sub> × h	Max			kN	kN
18	<sup>0</sup> <sub>-0.05</sub>	6	—	7.5	30	3.5 × 6 × 4.5	1430	2.45	3.92	16	92.9	16	92.9	36	0.035	1.08
24	<sup>0</sup> <sub>-0.05</sub>	8	—	8.5	40	4.5 × 8 × 4.5	1600	4.02	6.08	24.5	138	21.7	123	59.5	0.075	1.5
42	<sup>0</sup> <sub>-0.05</sub>	9	23	9.5	40	4.5 × 8 × 4.5	1800	6.66	9.8	50.3	278	44.4	248	168	0.17	3
								3.52	5.37	31	161	31	161	49.4	0.051	
								5.96	9.21	53.9	274	47.3	242	90.1	0.101	
								9.91	14.9	110	555	97.3	490	255	0.21	

Note1) The maximum length under "Length\*" indicates the standard maximum length of an LM rail. (See [A1-384](#).)

Static permissible moment\* 1 block: the static permissible moment with one LM block

Double blocks: static permissible moment when two LM blocks are in close contact with each other

Total block length L

: The total block length L shown in the table is the length with the dust-proof parts (code: UU).

Please be aware that balls will fall out if the LM block is removed from the LM rail.

Note2) The basic load rating in the dimension table is for a load in the radial direction. Use Table7 on [A1-59](#) to calculate the load rating for loads in the reverse radial direction or lateral direction.

## Standard Length and Maximum Length of the LM Rail

Table1 shows the standard and maximum lengths of the RSR M1 model rail.

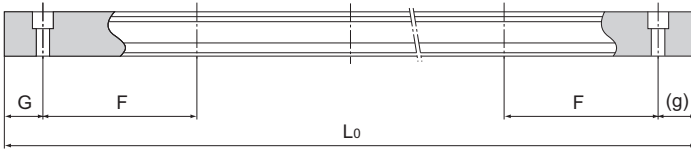


Table1 Standard Length and Maximum Length of the LM Rail for Model RSR-M1

Unit: mm

Model No.	RSR 9M1	RSR 12M1	RSR 15M1	RSR 20M1	RSR 9M1W	RSR 12M1W	RSR 15M1W
LM rail standard length ( $L_0$ )	55	70	70	220	50	70	110
	75	95	110	280	80	110	150
	95	120	150	340	110	150	190
	115	145	190	460	140	190	230
	135	170	230	640	170	230	270
	155	195	270	880	200	270	310
	175	220	310	1000	260	310	430
	195	245	350		290	390	550
	275	270	390		320	470	670
	375	320	430			550	790
		370	470				
		470	550				
		570	670				
		870					
Standard pitch F	20	25	40	60	30	40	40
G,g	7.5	10	15	20	10	15	15
Max length	1240	1430	1600	1800	1430	1600	1800

Note) The maximum length varies with accuracy grades. Contact THK for details.

## Prevention of LM block from falling off of LM rail

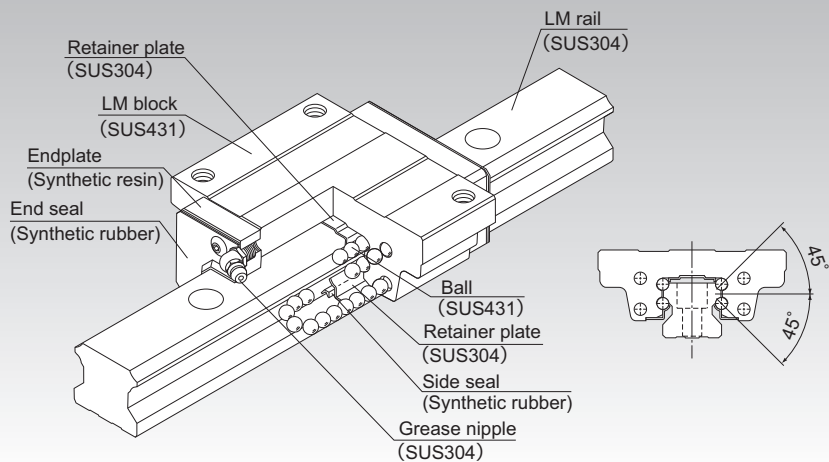
In models RSR-M1/RSR-M1W, the balls fall out if the LM block comes off the LM rail.

For this reason, LM Guide assemblies are delivered with a part which prevents the LM block from coming off the rail. If you remove this part when using the product, please take precautions to avoid overrunning the blocks off of the rail.



# HSR-M2

## LM Guide High Corrosion Resistance Type Model HSR-M2



**Point of Selection** **A1-10**

**Point of Design** **A1-454**

**Options** **A1-477**

**Model No.** **A1-543**

**Precautions on Use** **A1-549**

**Accessories for Lubrication** **A24-1**

**Mounting Procedure and Maintenance** **B1-89**

Equivalent moment factor **A1-43**

Rated Loads in All Directions **A1-59**

Equivalent factor in each direction **A1-61**

Radial Clearance **A1-73**

Accuracy Standards **A1-77**

Shoulder Height of the Mounting Base and the Corner Radius **A1-465**

Permissible Error of the Mounting Surface **A1-470**

Dimensions of Each Model with an Option Attached **A1-491**

## Structure and Features

Balls roll in four rows of raceways precision-ground on an LM rail and an LM block, and endplates incorporated in the LM block allow the balls to circulate.

Each row of balls is placed at a contact angle of  $45^\circ$  so that the rated loads applied to the LM block are uniform in the four directions (radial, reverse radial and lateral directions), enabling the LM Guide to be used in all orientations.

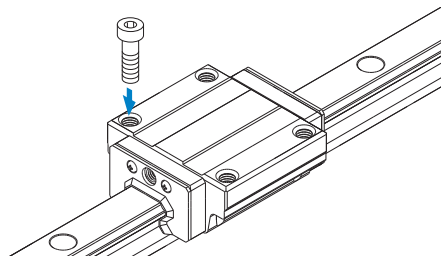
The LM rail, LM block and balls are made of highly corrosion resistant stainless steel and the other metal parts are made of stainless steel, allowing superb corrosion resistance to be achieved. As a result, the need for surface treatment is eliminated.

## Types and Features

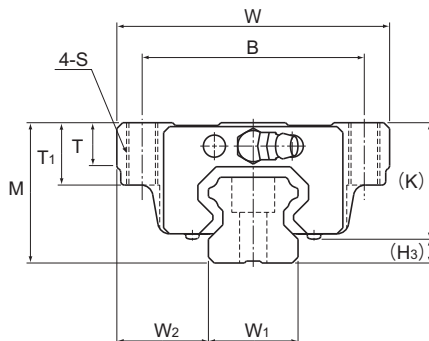
### Model HSR-M2A

The flange of its LM block has tapped holes.

Specification Table⇒ **A1-388**



# Model HSR-M2A



Model No.	Outer dimensions			LM block dimensions										Grease nipple	H <sub>3</sub>
	Height	Width	Length	B	C	S	L <sub>1</sub>	T	T <sub>1</sub>	K	N	E			
	M	W	L												
HSR 15M2A	24	47	56.6	38	30	M5	38.8	6.5	11	19.3	4.3	5.5	PB1021B	4.7	
HSR 20M2A	30	63	74	53	40	M6	50.8	9.5	10	26	5	12	B-M6F	4	
HSR 25M2A	36	70	83.1	57	45	M8	59.5	11	16	30.5	6	12	B-M6F	5.5	

Note) For the high corrosion resistance type LM Guide, a stainless steel end plate is optionally available. (symbol···I)

## Model number coding

**HSR20M2 A 2 UU C1 I +820L P T -II**

Model number  
(high corrosion  
resistance type  
LM Guide)

Type of  
LM block

No. of LM blocks  
used on the same rail

Contamination  
protection  
accessory  
symbol (\*1)

Radial clearance symbol (\*2)  
Normal (No symbol)  
Light preload (C1)

End plate is  
made of  
stainless steel

LM rail length  
(in mm)

Accuracy symbol (\*3)

Normal grade (No Symbol)/High accuracy grade (H)  
Precision grade (P)/Super precision grade (SP)  
Ultra precision grade (UP)

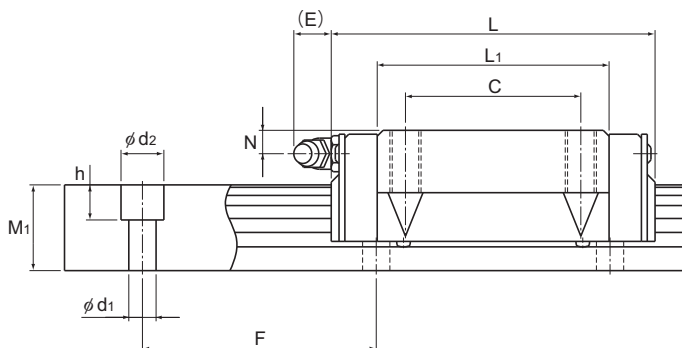
Symbol  
for LM rail  
jointed use

Symbol for  
No. of rails used  
on the same plane (\*4)

(\*1) See contamination protection accessory on **A1-516**. (\*2) See **A1-73**. (\*3) See **A1-77**. (\*4) See **A1-13**.

Note) This model number indicates that a single-rail unit constitutes one set. (i.e., required number of sets when 2 rails are used in parallel is 2 at a minimum.)





Unit: mm

LM rail dimensions						Basic load rating		Static permissible moment N•m*					Mass	
Width W <sub>1</sub> ±0.05	W <sub>2</sub>	Height M <sub>1</sub>	Pitch F	Length* Max	d <sub>1</sub> × d <sub>2</sub> × h	C kN	C <sub>0</sub> kN	M <sub>A</sub>		M <sub>B</sub>		M <sub>C</sub>	LM block kg	LM rail kg/m
								1 block	Double blocks	1 block	Double blocks	1 block		
15	16	15	60	1000	4.5 × 7.5 × 5.3	2.11	2.04	12.1	68.6	12.1	68.6	12.7	0.2	1.5
20	21.5	18	60	1000	6 × 9.5 × 8.5	3.89	3.57	28.5	156	28.5	156	30.2	0.35	2.3
23	23.5	22	60	1000	7 × 11 × 9	5.57	5.15	46.1	256.5	46.1	256.5	51.6	0.59	3.3

Note) The maximum length under "Length\*" indicates the standard maximum length of an LM rail. (See **A1-390**.)

Static permissible moment\* 1 block: the static permissible moment with one LM block

Double blocks: static permissible moment when two LM blocks are in close contact with each other

Total block length L

: The total block length L shown in the table is the length with the dust proof parts, code UU or SS.

The basic load rating of the high corrosion resistance type LM Guide is smaller than ordinary stainless steel LM Guides. Please take care.

## Standard Length and Maximum Length of the LM Rail

Table1 shows the standard lengths and the maximum lengths of model HSR-M2 variations. If the maximum length of the desired LM rail exceeds them, jointed rails will be used. Contact THK for details.

For special rail lengths, it is recommended to use a value corresponding to the G,g dimension from the table. As the G,g dimension increases, this portion becomes less stable, and the accuracy performance is severely impacted.

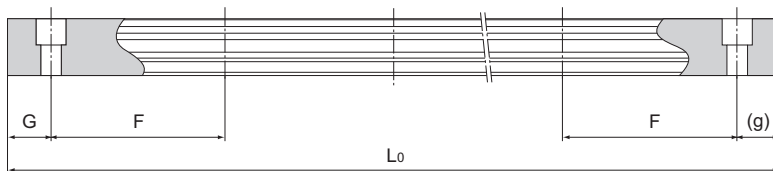


Table1 Standard Length and Maximum Length of the LM Rail for Model HSR-M2

Unit: mm

Model No.	HSR 15M2	HSR 20M2	HSR 25M2
LM rail standard length ( $L_0$ )	160	280	280
	280	460	460
	460	640	640
	640	820	820
	1000		1000
Standard pitch F	60	60	60
G,g	20	20	20
Max length	1000	1000	1000

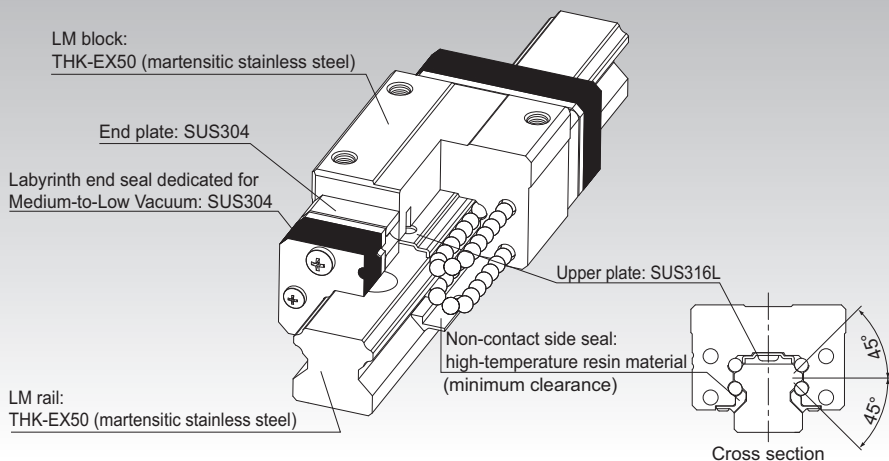
Note1) The maximum length varies with accuracy grades. Contact THK for details.

Note2) If jointed rails are not allowed and a greater length than the maximum values above is required, contact THK.



# HSR-M1VV

## LM Guide Medium-to-low Vacuum Type Model HSR-M1VV



**Point of Selection** **A1-10**

**Point of Design** **A1-454**

**Options** **A1-477**

**Model No.** **A1-543**

**Precautions on Use** **A1-551**

**Accessories for Lubrication** **A24-1**

**Mounting Procedure and Maintenance** **B1-89**

Equivalent moment factor **A1-43**

Rated Loads in All Directions **A1-59**

Equivalent factor in each direction **A1-61**

Radial Clearance **A1-72**

Accuracy Standards **A1-77**

Shoulder Height of the Mounting Base and the Corner Radius **A1-465**

Permissible Error of the Mounting Surface **A1-470**

Flatness of the Mounting Surface **A1-472**

Dimensions of Each Model with an Option Attached **A1-491**

## Structure and Features

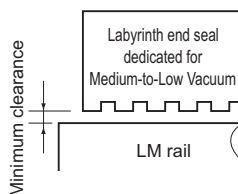
### [Features]

- Operable in various environments at pressure between atmospheric pressure and vacuum ( $10^{-3}$  [Pa]).
- Capable of withstanding baking temperature up to  $200^{\circ}\text{C}^*$
- Use of a newly developed labyrinth end seal dedicated for Medium-to-Low Vacuum increases grease retention and allows extended use in vacuum.
- Use of grease designed for Medium-to-Low Vacuum achieves a stable rolling resistance.

\* If the baking temperature exceeds  $100^{\circ}\text{C}$ , multiply the basic load rating with the temperature coefficient.

### Structure of the labyrinth end seal dedicated for Medium-to-Low Vacuum

The labyrinth end seal dedicated for Medium-to-Low Vacuum forms a multi-stage space as shown in the figure on the right to minimize the pressure difference between adjacent stages. This reduces the out-flow velocity of the oil inside the LM block to a minimum. In addition, the seal will not affect the rolling resistance since it does not contact the LM rail.

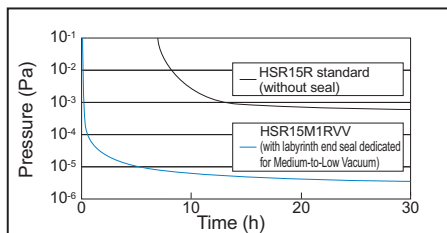


### [Achievable vacuum level]

The LM Guide for Medium-to-Low Vacuum demonstrates an excellent achievable vacuum level.

[Test conditions] Temperature:  $25^{\circ}\text{C}$  ( $\pm 5^{\circ}\text{C}$ )

	HSR15M1RVV	HSR15R (for reference)
Grease	Grease for Medium-to-Low Vacuum	AFB-LF Grease
Seal	Labyrinth end seal dedicated for Medium-to-Low Vacuum	None
Endplate	Stainless steel	Resin



Achievable vacuum level

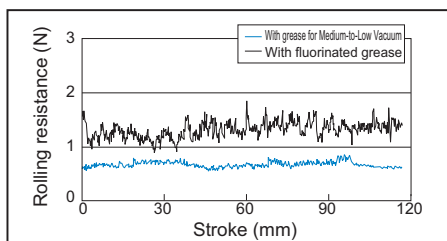
### [Rolling resistance]

The grease used in the LM Guide for Medium-to-Low Vacuum has a smaller rolling resistance than conventional fluorine grease and ensures stable rolling motion.

Specimen: HSR15M1RVV

Temperature:  $25^{\circ}\text{C}$  ( $\pm 5^{\circ}\text{C}$ )

Pressure: atmospheric pressure



Rolling resistance fluctuation

---

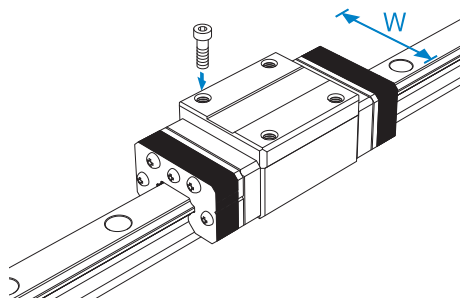
## Types and Features

---

### Model HSR-M1RVV

Specification Table → **A1-396**

With this type, the LM block has a smaller width (W) and tapped holes. Used in places where the space for table width is limited.



---

## Precautions on Design

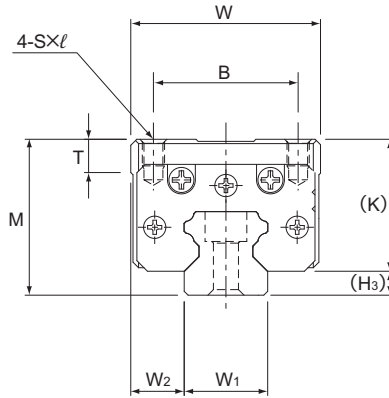
---

If a large moment is applied to a system consisting of one LM rail or one LM block per shaft, the labyrinth end seal may contact the LM rail, which could affect the system's motion.

If a moment is applied, it is recommended to use two rails with two LM blocks per rail. Contact THK for details.



# Model HSR-M1VV



Model No.	Outer dimensions			LM block dimensions						
	Height	Width	Length							
	M	W	L	B	C	S × l	L <sub>1</sub>	T	K	H <sub>3</sub>
HSR15M1R-VV	28	34	75	26	26	M4 × 5	38.8	6	23.7	4.3

## Model number coding

**HSR15M1R 1 VV C1 +400L P -II**

Model No.

Radial clearance  
symbol<sup>(\*)1</sup>

Labyrinth seal  
symbol<sup>(\*)2</sup>

Accuracy  
symbol<sup>(\*)3</sup>

Symbol for  
No. of rails used on the  
same plane<sup>(\*)4</sup>

No. of LM blocks  
used on the same rail

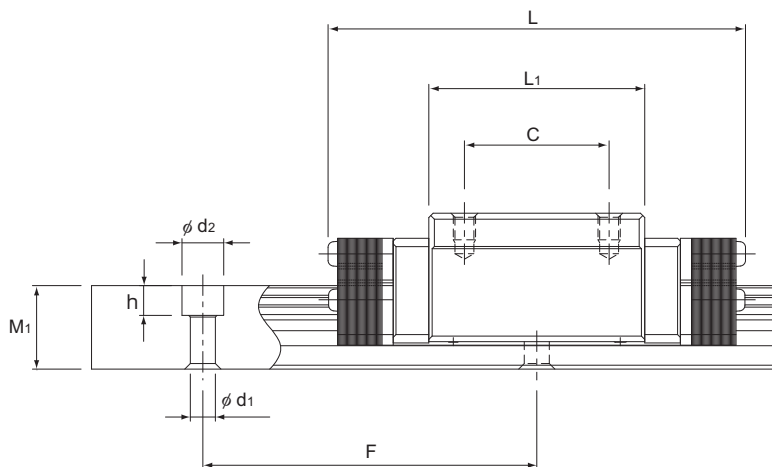
LM rail length  
(in mm)

(\*1) See **A1-72**. (\*2) See **A1-393**. (\*3) See **A1-77**. (\*4) See **A1-13**.

Note1) The radial clearance, maximum LM rail length and accuracy class are equal to that of model HSR.

Note2) With this model, a single-rail unit constitutes one set (i.e., the required number of sets when 2 rails are used in parallel is 2).





Unit: mm

LM rail dimensions					Basic load rating		Static permissible moment $kN \cdot m^*$					Mass		
Width	Height	Pitch		Length*	C	$C_0$	$M_A$		$M_B$		$M_C$	LM block	LM rail	
$W_1$ $\pm 0.05$	$W_2$	$M_1$	F	$d_1 \times d_2 \times h$	Max	kN	kN	1 block	Double blocks	1 block	Double blocks	1 block	kg	kg/m
15	9.5	15	60	4.5×7.5×5.3	1240	10.9	15.7	0.0945	0.527	0.0945	0.527	0.0998	0.27	1.5

Note) The maximum length under "Length\*" indicates the standard maximum length of an LM rail. (See **A1-398**.)

Static permissible moment\* 1 block: the static permissible moment with one LM block

Double blocks: static permissible moment when two LM blocks are in close contact with each other

Total block length L : The total block length L shown in the table is the length with the dust-proof parts (code: VV, with labyrinth end seal).

If a large moment is applied to a system consisting of one LM rail or one LM block per shaft, the labyrinth end seal may contact the LM rail, which could affect the system's motion.

If a moment is applied, it is recommended to use two rails with two LM blocks per rail.

Contact THK for details.

## Standard Length and Maximum Length of the LM Rail

Table1 shows the standard and maximum lengths for Model HSR-M1VV rails. If the maximum length of the desired LM rail exceeds these values, contact THK.

For special rail lengths, it is recommended to use a value corresponding to the G,g dimension from the table. As the G,g dimension increases, this portion becomes less stable, and the accuracy performance is severely impacted.

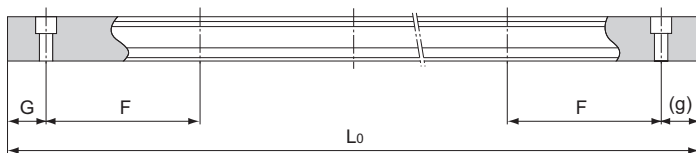


Table1 Standard Length and Maximum Length of the LM Rail for Model HSR-M1VV

Unit: mm

Model No.	HSR15M1R-VV
LM rail standard length ( $L_0$ )	160
	220
	280
	340
	400
	460
	520
	580
	640
	700
	760
	820
	940
	1000
1060	
1120	
1180	
1240	
Standard pitch F	60
G,g	20
Max length	1240

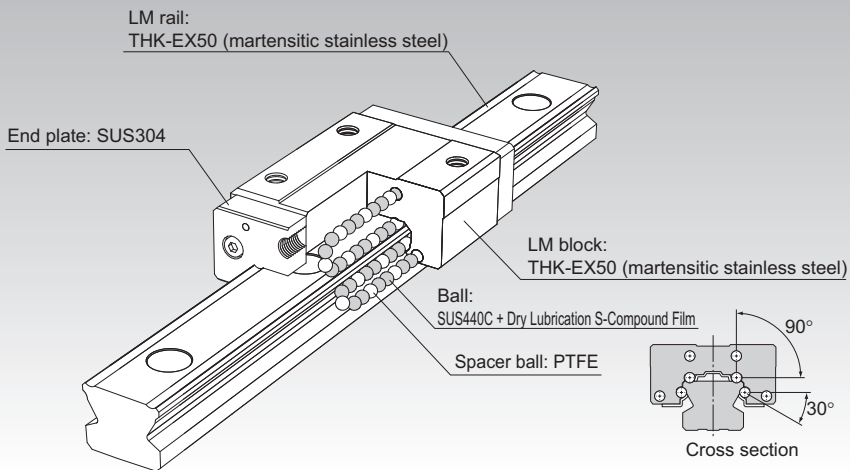
Note1) The maximum length varies with accuracy grades. Contact THK for details.

Note2) If a length greater than the above maximum is required, contact THK.



# SR-MS

## LM Guide Oil-Free for Special Environments Model SR-MS



**Point of Selection** **A1-10**

**Point of Design** **A1-454**

**Options** **A1-477**

**Model No.** **A1-543**

**Precautions on Use** **A1-551**

**Accessories for Lubrication** **A24-1**

**Mounting Procedure and Maintenance** **B1-89**

Equivalent moment factor **A1-43**

Rated Loads in All Directions **A1-59**

Equivalent factor in each direction **A1-61**

Radial Clearance **A1-73**

Accuracy Standards **A1-86**

Shoulder Height of the Mounting Base and the Corner Radius **A1-463**

Permissible Error of the Mounting Surface **A1-471**

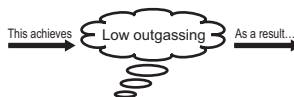
Flatness of the Mounting Surface **A1-472**

Dimensions of Each Model with an Option Attached **A1-491**

## Structure and Features

### [Structural Characteristics]

1. Uses stainless steel  
All components are composed of parts for special environments such as stainless steel.
2. Degreased and cleaned  
Special solvent is used to de-grease this model.
3. Does not use grease  
Use of highly reliable dry lubricant S-compound film for stainless steel balls achieves grease-free lubrication.



#### Greatest advantage

Suitable for applications where the vacuum level reaches  $10^{-5}$  Pa and chemical contamination (gaseous contamination such as organic matter and moisture) is not allowed.

\* Can be used at temperature up to 150°C (instantaneously 200°C).

### [What is Dry Lubrication S-Compound Film]

Dry Lubrication S-Compound Film is a fully dry lubricant developed for use under atmospheric to high-vacuum environments.

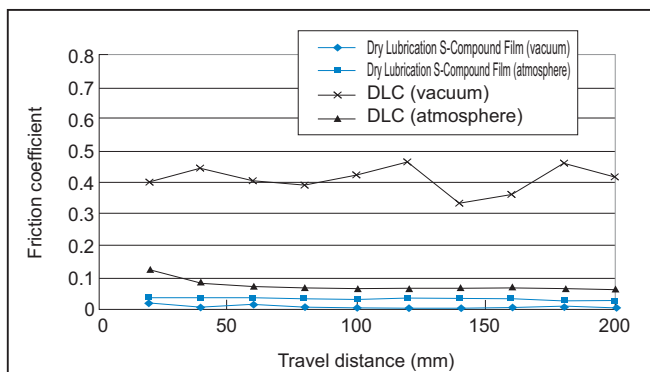
It has superior characteristics in load carrying capacity, wear resistance and sealability to other lubrication systems.

Comparison of dry lubrication material properties

Item	Friction coefficient (reference value)	Wear resistance	Hardness	Service environment
Molybdenum Disulfide (hexagonal form)	0.04	△	△	Vacuum
Soft metal	0.05 to 0.5	△	△	Atmosphere, vacuum
DLC (diamond like carbon)	0.08 to 0.15	△	○	Atmosphere, H <sub>2</sub> O
Dry Lubrication S-Compound Film	0.02 to 0.05	○	○	Atmosphere, vacuum

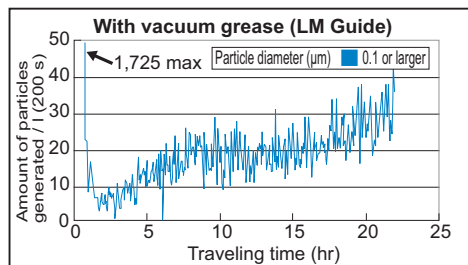
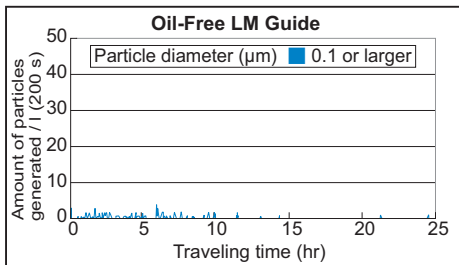
### [Low Friction]

The Oil-Free LM Guide for special environments exerts superbly low frictional properties in atmospheric to vacuum environments.



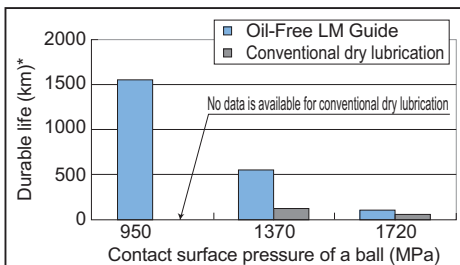
### [Low Dust Generation]

The Oil-Free LM Guide for special environments exerts a lower level of dust generation than conventional vacuum grease lubricants.



### [Long service life]

The Oil-Free LM Guide for special environments has a longer service life than conventional dry lubrication.



\* The durable life represents the value at a point from which the Dry Lubrication S-Compound Film is no longer effective. Note that the durable life differs from the rated service life of the LM Guide.

### [Applications of the Oil-Free LM Guide for Special Environments]

Industry	Equipment	Advantages of the oil-free LM Guide
Semiconductor / FPD manufacturing machine	Exposure machine, organic EL manufacturing machine, ion injection machine	<ul style="list-style-type: none"> <li>• Little outgassing (water, organic matter)</li> <li>• Low dust generation</li> <li>• Operable at high temperature (up to 150°C)</li> </ul>

## Nominal Life Equation for the Oil-Free LM Guide

$$L_{10m} = \left( \frac{F_0}{\alpha \cdot P_c} \right)^{1.57} \times 50$$

$L_{10m}$	: Nominal life	(km)
$F_0$	: Permissible load	(N)
$P_c$	: Calculated load	(N)
$\alpha$	: Modified factor	

Note) The life here means the service life of the S film based on wear.

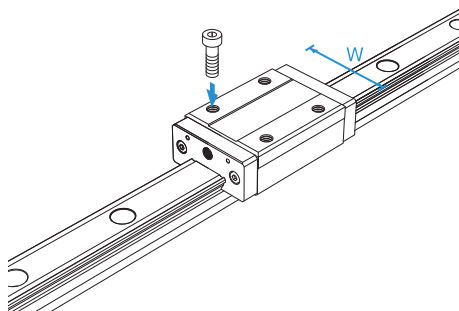
Since the service life of the S film may vary according to the environment or the operating conditions, customers are encouraged to evaluate and validate the life under the service environment and operating conditions at their facilities.

## Types and Features

### Model SR-MSW

With this type, the LM block has a smaller width (W) and tapped holes.

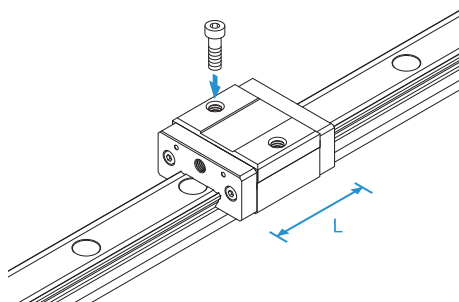
Specification Table⇒ **A1-404**



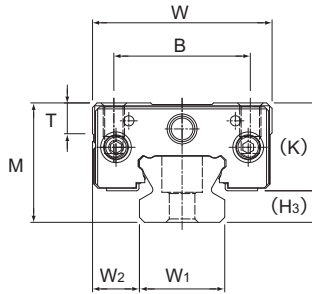
### Model SR-MSV

A space-saving type whose LM block has the same cross-sectional shape as model SR-MSW, but has a smaller overall LM block length (L).

Specification Table⇒ **A1-404**



## Models SR-MSV and SR-MSW



Model No.	Outer dimensions			LM block dimensions							H <sub>3</sub>
	Height	Width	Length	B	C	S × ℓ	L <sub>1</sub>	T	K		
	M	W	L								
SR15MSV SR15MSW	24	34	36.6 53.2	26	— 26	M4 × 7	22.9 39.5	5.7	19.5	4.5	
SR20MSV SR20MSW	28	42	41.3 60.2	32	— 32	M5 × 8	27.8 46.7	7.2	22	6	

### Model number coding

**SR15MSV 1 CS + 340L Y P - II**

Model No.

LM rail length  
(mm)

Radial clearance  
symbol (\*1)

Applied to  
only 15

Symbol for  
No. of rails used on the  
same plane (\*3)

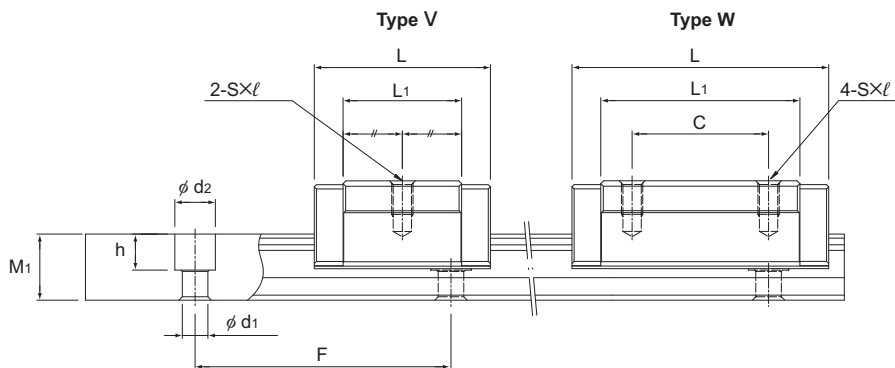
No. of LM blocks  
used on the same rail

Accuracy symbol (\*2)

(\*1) See **A1-73**. (\*2) See **A1-86**. (\*3) See **A1-13**.

Note) With this model, a single-rail unit constitutes one set (i.e., the required number of sets when 2 rails are used in parallel is 2).





Unit: mm

LM rail dimensions						Permissible load $F_0$	Permissible moment N·m						Mass	
Width $W_1$ $\pm 0.05$	Height $W_2$	Pitch $M_1$	Pitch $F$	Length* $d_1 \times d_2 \times h$	Length* Max		$M_A$		$M_B$		$M_C$		LM block kg	LM rail kg/m
							1 block	Double blocks	1 block	Double blocks	1 block			
15	9.5	12.5	60	3.5×6×4.5	400	320	0.80	5.43	0.51	3.60	1.16	0.12	1.2	
						570	2.35	13.0	1.47	8.31	2.08			
20	11	15.5	60	6×9.5×8.5	400	430	1.35	8.44	0.87	5.52	2.05	0.2	2.1	
						750	3.76	19.9	2.36	12.6	3.59			

Note1) The maximum length under "Length\*" indicates the standard maximum length of an LM rail. (See **A1-406**.)  
 Static permissible moment\* 1 block: the static permissible moment with one LM block

Double blocks: static permissible moment when two LM blocks are in close contact with each other

Please note that model SR-MS does not have contamination protection accessories.

The value of permissible load  $F_0$  represents the permissible value for the strength of the dry lubricant S-compound film.

For the durability of the Oil-Free LM Guide for special environment, contact THK.

The service life of the S film may vary according to the environment or the operating conditions. Be sure to evaluate and validate the service life based on the service and operating conditions of the customer.

Note2) For model SR15, two types of rails with different mounting hole dimensions are offered (see Table1).

When, replacing this model with model SSR, pay attention to the mounting hole dimension of the LM rail. Contact THK for details.

Note3) The permissible load in the dimension table is for a load in the radial direction. Use Table7 on **A1-59** to calculate the permissible value for loads in the reverse radial direction or lateral direction.

Table1 The dimension of the rail mounting hole

Model No.	Standard rail	Semi-Standard rail
SR 15	For M3 (No symbol)	For M4 (Symbol Y)

## Standard Length and Maximum Length of the LM Rail

The following table shows the standard length and the maximum length of the LM rail of the Oil-Free LM Guide for special environments. If the overall rail length exceeds the maximum length, contact THK.

For special rail lengths, it is recommended to use a value corresponding to the G,g dimension from the table. As the G,g dimension increases, this portion becomes less stable, and the accuracy performance is severely impacted.

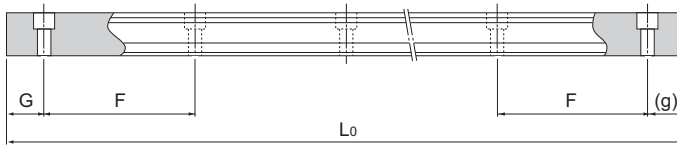


Table1 Standard Length and Maximum Length of the LM Rail for Model SR-MS

Unit: mm

Model No.	SR15MS	SR20MS
LM rail standard length ( $L_0$ )	160 220 280 340 400	220 280 340 400
Standard pitch F	60	60
G,g	20	20
Max length	400	400

Note1) If you desire a rail length larger than the maximum length, contact THK.

Note2) A connected-rail type is not available.



## Structure and Features of the Caged Roller LM Guide

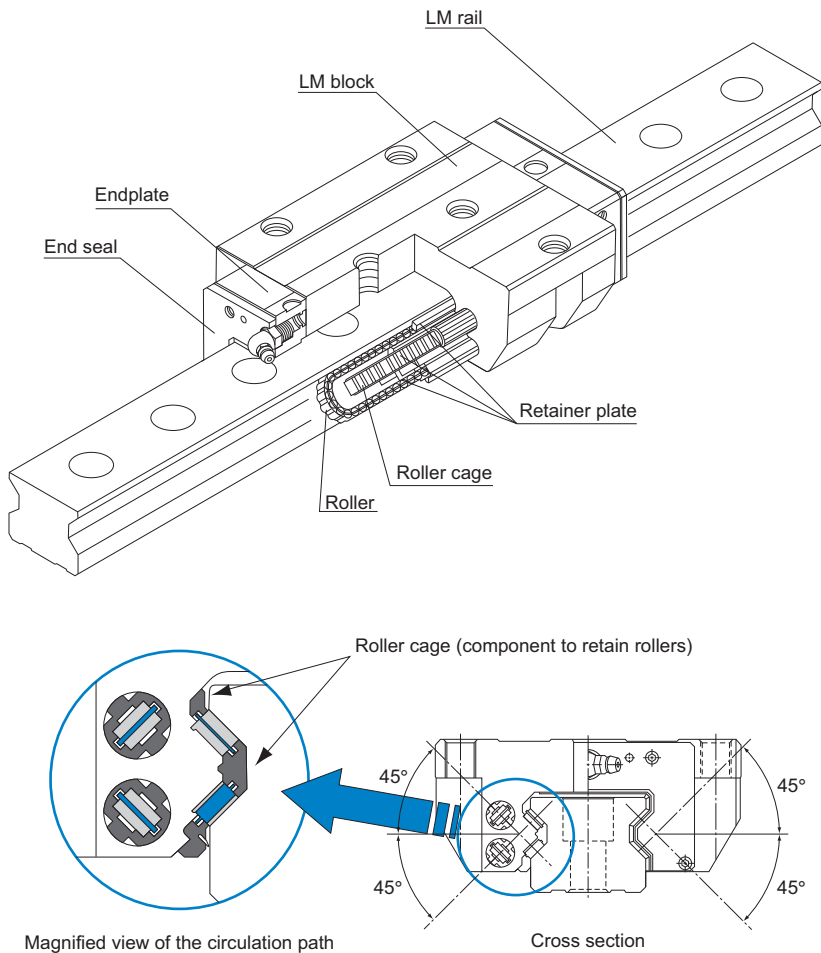


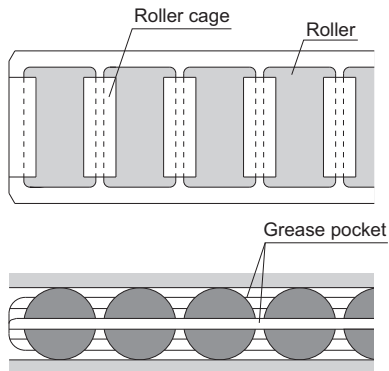
Fig.1 Structural Drawing of the Caged Roller LM Guide Model SRG

Caged Roller LM Guide is a roller guide that achieves low-friction, smooth motion and long-term maintenance-free operation by using a roller cage. In addition, to ensure ultra-high rigidity, rollers with low elastic deformation are used as the rolling elements and the roller diameter and the roller length are optimized.

Furthermore, the lines of rollers are placed at a contact angle of  $45^\circ$  so that the same rated load is applied in all (radial, reverse and lateral) directions.

## Advantages of the Caged Roller Technology

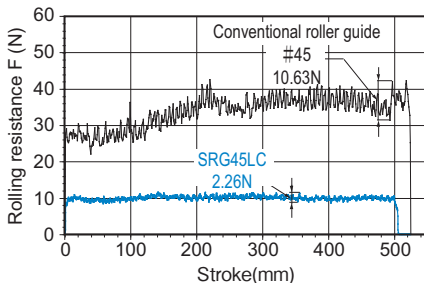
- (1) Evenly spaced and aligned rollers circulate, preventing the rollers from skewing, minimizing rolling resistance fluctuations and achieving smooth and stable motion.
- (2) The absence of friction between rollers allows grease to be retained in grease pockets and achieves long-term maintenance-free operation.
- (3) The absence of friction between rollers achieves low heat generation and superbly high speed.
- (4) The absence of roller-to-roller collision ensures low noise and acceptable running sound.



### [Smooth Motion]

#### ● Rolling Resistance Data

Evenly spaced and aligned rollers circulate, minimizing rolling resistance fluctuations and achieving smooth and stable motion.

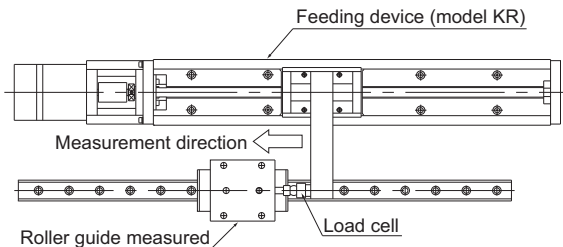


Result of Measuring Rolling Resistance Fluctuations

### [Conditions]

Feeding speed: 10mm/s

Applied load: no load (one block)



Rolling Resistance Measuring Machine

### [Long-term Maintenance-free Operation]

#### ● High-speed Durability Test Data

Use of a roller cage eliminates friction between rollers, minimizes heat generation and increases grease retention, thus to achieve long-term maintenance-free operation.

#### [Conditions]

Model No.: SRG45LC

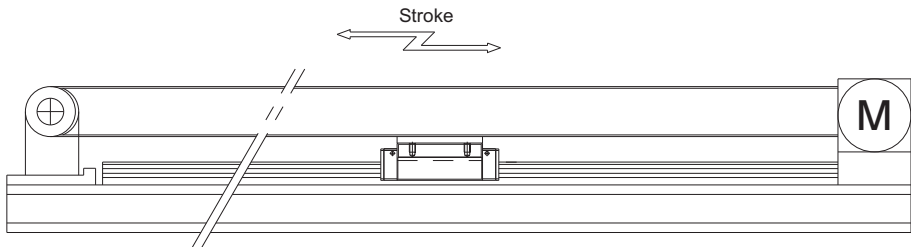
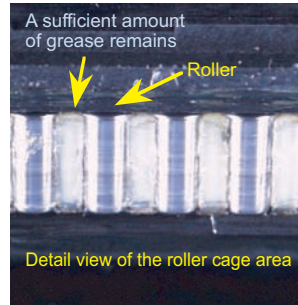
Magnitude of preload: clearance C0

Speed: 180m/min

Acceleration: 1.5G

Stroke: 2300mm

Lubrication : Initial lubrication only  
(THKAFB-LF Grease)



**Test result: No anomaly observed after running 15,000 km**

Result of High-speed Durability Test

## Features and Dimensions of Each Model

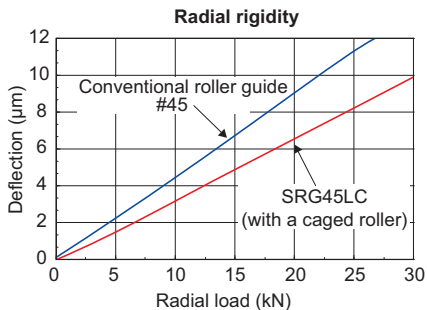
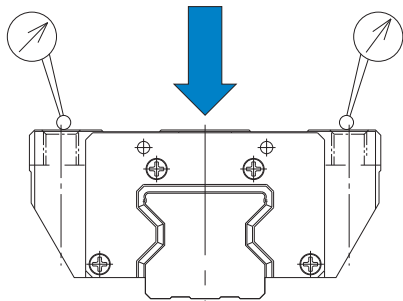
### Structure and Features of the Caged Roller LM Guide

#### [Ultra-high Rigidity]

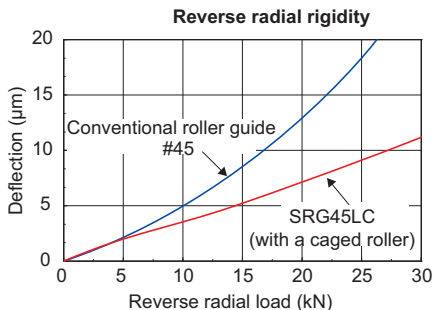
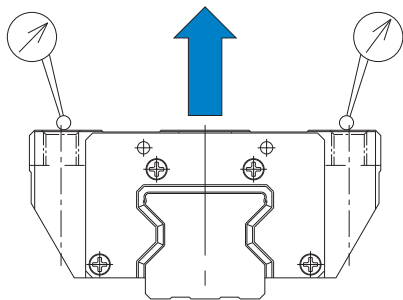
#### ● High Rigidity Evaluation Data

- [Preload] SRG : radial clearance C0  
 Conventional type : radial clearance equivalent to C0

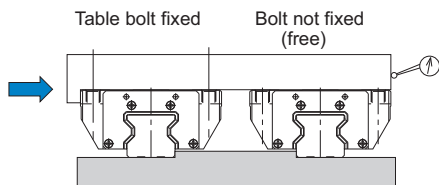
#### Radial rigidity



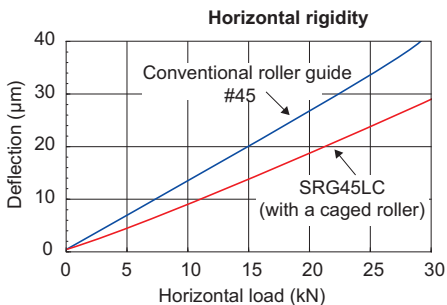
#### Reverse radial rigidity



#### Horizontal rigidity



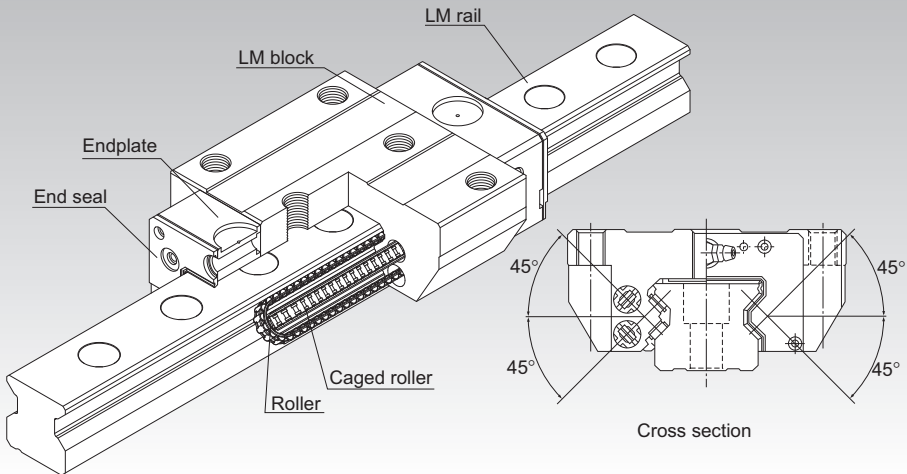
Rigidity is measured with the two axes placed in parallel and one of the axes not fixed with a bolt in order not to apply a moment.



# SRG



## Caged Roller LM Guide Ultra-high Rigidity Type Model SRG



\*For the caged roller, see [A1-408](#).

**Point of Selection** [A1-10](#)

**Point of Design** [A1-454](#)

**Options** [A1-477](#)

**Model No.** [A1-543](#)

**Precautions on Use** [A1-549](#)

**Accessories for Lubrication** [A24-1](#)

**Mounting Procedure and Maintenance** [B1-89](#)

Equivalent moment factor [A1-43](#)

Rated Loads in All Directions [A1-59](#)

Equivalent factor in each direction [A1-61](#)

Radial Clearance [A1-73](#)

Accuracy Standards [A1-77](#)

Shoulder Height of the Mounting Base and the Corner Radius [A1-466](#)

Error Allowance of the Mounting Surface [A1-417](#)

Dimensions of Each Model with an Option Attached [A1-491](#)



---

## Structure and Features

---

SRG is an ultra-high rigidity Roller Guide that uses roller cages to allow low-friction, smooth motion and achieve long-term maintenance-free operation.

### [Ultra-high Rigidity]

A higher rigidity is achieved by using highly rigid rollers as the rolling elements and having the overall roller length more than 1.5 times greater than the roller diameter.

### [4-way Equal Load]

Since each row of rollers is arranged at a contact angle of 45° so that the LM block receives an equal load rating in all four directions (radial, reverse radial and lateral directions), high rigidity is ensured in all directions.

### [Smooth Motion through Skewing Prevention]

The roller cage allows rollers to form an evenly spaced line while circulating, thus preventing the rollers from skewing as the block enters an loaded area. As a result, fluctuation of the rolling resistance is minimized, and stable, smooth motion is achieved.

### [Long-term Maintenance-free Operation]

Use of roller cages eliminates friction between rollers and increases grease retention, enabling long-term maintenance-free operation to be achieved.

### [Global Standard Size]

SRG is designed to have dimensions almost the same as that of Full Ball LM Guide model HSR, which THK as a pioneer of the linear motion system has developed and is practically a global standard size.

### [Wide Array of Options]

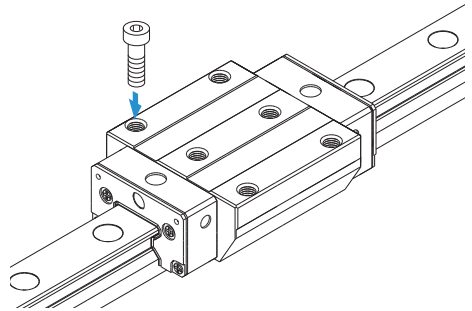
Various options are available, including end seals, inner seals, side seals, Laminated Contact Scrapper LaCS, protectors, side scrapers, High Chemical Resistance Fluorine Seal FS, and GC caps, to accommodate various usage environments.

## Types and Features

### Models SRG-15A, 20A

The flange of the LM block has tapped holes.  
Can be mounted from the top or the bottom.

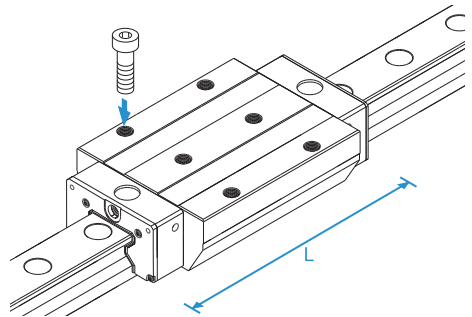
Specification Table⇒ **A1-418**



### Model SRG-20LA

The LM block has the same cross-sectional shape as model SRG-A, but has a longer overall LM block length (L) and a greater rated load.

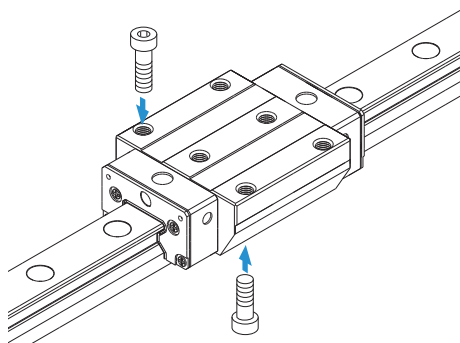
Specification Table⇒ **A1-418**



## Model SRG-C

The flange of the LM block has tapped holes. Can be mounted from the top or the bottom. Used in places where the table cannot have through holes for mounting bolts.

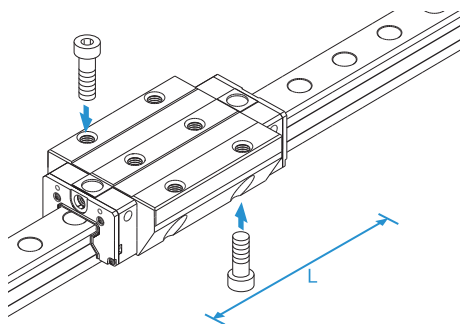
Specification Table → **A1-418**



## Model SRG-LC

The LM block has the same cross-sectional shape as model SRG-C, but has a longer overall LM block length (L) and a greater rated load.

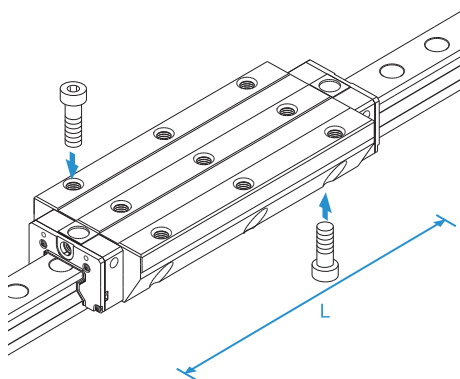
Specification Table → **A1-418**



## Model SRG-SLC

The LM block has the same cross-sectional shape as model SRG-LC, but has a longer overall LM block length (L) and a greater rated load.

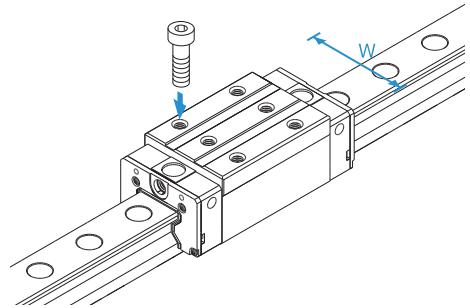
Specification Table → **A1-420**



## Model SRG-R

With this type, the LM block has a smaller width (W) and tapped holes. Used in places where the space for table width is limited.

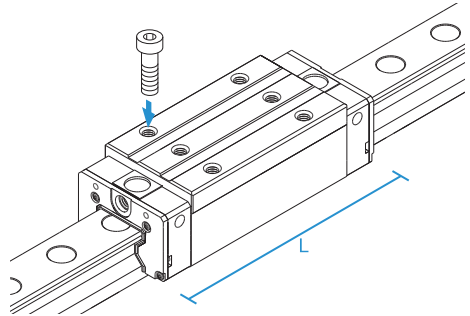
Specification Table⇒ **A1-424**



## Model SRG-LR

The LM block has the same cross-sectional shape as model SRG-R, but has a longer overall LM block length (L) and a greater rated load.

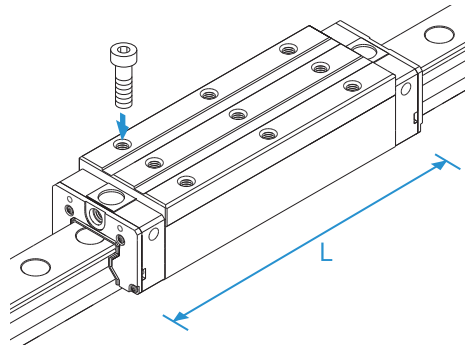
Specification Table⇒ **A1-424**



## Model SRG-SLR

The LM block has the same cross-sectional shape as model SRG-LR, but has a longer overall LM block length (L) and a greater rated load.

Specification Table⇒ **A1-426**



## Error Allowance of the Mounting Surface

The caged roller LM Guide Model SRG features high rigidity since it uses rollers as its rolling element and it also features a cage-retainer which prevents the rollers from skewing. However, high machining accuracy is required in the mounting surface. If the error on the mounting surface is large, it will affect the rolling resistance and the service life. The following shows the maximum permissible value according to the radial clearance.

Table1 Error Allowance in Parallelism (P) between Two Rails

Unit: mm

Radial clearance	Normal	C1	C0
Model No.			
SRG 15	0.005	0.003	0.003
SRG 20	0.008	0.006	0.004
SRG 25	0.009	0.007	0.005
SRG 30	0.011	0.008	0.006
SRG 35	0.014	0.010	0.007
SRG 45	0.017	0.013	0.009
SRG 55	0.021	0.014	0.011
SRG 65	0.027	0.018	0.014
SRG 85	0.040	0.027	0.021
SRG 100	0.045	0.031	0.024

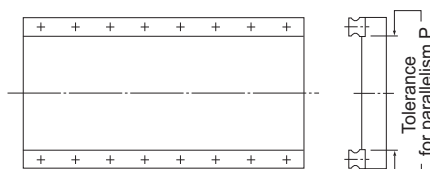


Fig.1

Table2 Error Allowance in Vertical Level (X) between Two Rails

Unit: mm

Radial clearance	Normal	C1	C0
Permissible error on the mounting surface X	0.00030a	0.00021a	0.00011a

$X = X_1 + X_2$      $X_1$  : Level difference on the rail mounting surface

$X_2$  : Level difference on the block mounting surface

Example of calculation

Rail span            when a = 500mm

Error allowance     $X = 0.0003 \times 500$   
of the mounting    = 0.15  
surface

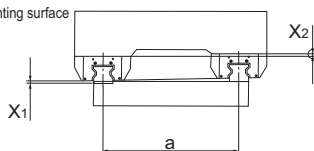


Fig.2

Table3 Error Allowance in Level (Y) in the Axial Direction

Unit: mm

Permissible error on the mounting surface	0.000036b
---	-----------

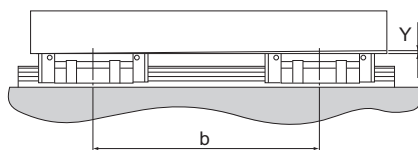
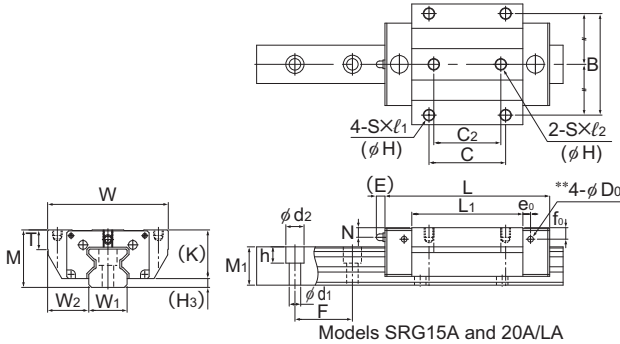


Fig.3

# Models SRG-A, SRG-LA, SRG-C and SRG-LC



Models SRG15A and 20A/LA

Model No.	Outer dimensions			LM block dimensions																	Grease nipple
	Height	Width	Length	B	C	C <sub>2</sub>	S	H*	ℓ <sub>1</sub>	ℓ <sub>2</sub>	L <sub>1</sub>	T	T <sub>1</sub> *	K	N	E	e <sub>0</sub>	f <sub>0</sub>	D <sub>0</sub>		
	M	W	L																		
SRG 15A	24	47	69.2	38	30	26	M5	(4.3)	8	7.5	45	7	(8)	20	4	4.5	4	6	2.9	PB107	
SRG 20A SRG 20LA	30	63	86.2 106.2	53	40	35	M6	(5.4)	10	9	58 78	10	(10)	25.4	5	4.5	4	6	2.9	PB107	
SRG 25C SRG 25LC	36	70	95.5 115.1	57	45	40	M8	6.8	—	—	65.5 85.1	9.5	10	31.5	5.5	12	6	6.4	5.2	B-M6F	
SRG 30C SRG 30LC	42	90	111 135	72	52	44	M10	8.5	—	—	75 99	12	14	37	6.5	12	6	7.5	5.2	B-M6F	

## Model number coding

**SRG30 LC 2 QZ TTHH C0 +1200L P Z T -II**

Model number

Type of LM block

With QZ Lubricator

Contamination protection accessory symbol (\*1)

LM rail length (in mm)

With plate cover

Symbol for No. of rails used on the same plane (\*4)

No. of LM blocks used on the same rail

Radial clearance symbol (\*2)

Normal (No symbol)  
Light preload (C1)  
Medium preload (C0)

Accuracy symbol (\*3)

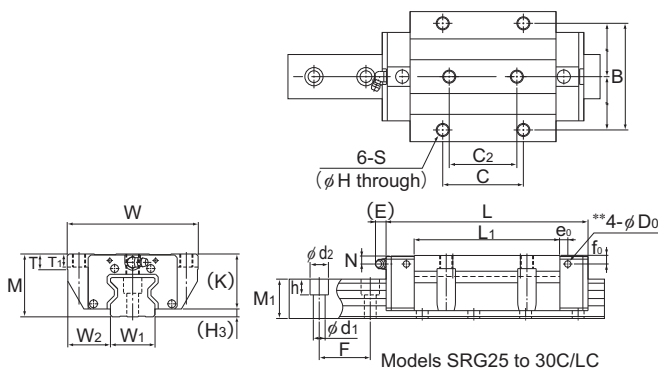
Precision grade (P)/Super precision grade (SP)  
Ultra precision grade (UP)

Symbol for LM rail jointed use

(\*1) See contamination protection accessory on **A1-516**. (\*2) See **A1-73**. (\*3) See **A1-77**. (\*4) See **A1-13**.

Note) This model number indicates that a single-rail unit constitutes one set. (i.e., required number of sets when 2 rails are used in parallel is 2 at a minimum.)

Those models equipped with QZ Lubricator cannot have a grease nipple. When desiring a grease nipple for a model attached with QZ, contact THK.



Unit: mm

H <sub>3</sub>	LM rail dimensions						Basic load rating*		Static permissible moment kN·m*					Mass		
	Width W <sub>1</sub> 0 -0.05	W <sub>2</sub>	Height M <sub>1</sub>	Pitch F	Pitch d <sub>1</sub> × d <sub>2</sub> × h	Length* Max	C kN	C <sub>0</sub> kN	M <sub>A</sub>		M <sub>B</sub>		M <sub>C</sub>		LM block kg	LM rail kg/m
									1 block	Double blocks	1 block	Double blocks	1 block	Double blocks		
	0	0	0	0	0	0	0	0	0	0	0	0	0	0	0	
4	15	16	15.5	30	4.5 × 7.5 × 5.3	3000	11.3	25.8	0.21	1.24	0.21	1.24	0.24	0.20	1.58	
4.6	20	21.5	20	30	6 × 9.5 × 8.5	3000	21 26.7	46.9 63.8	0.48 0.88	2.74 4.49	0.48 0.88	2.74 4.49	0.58 0.79	0.42 0.57	2.58	
4.5	23	23.5	23	30	7 × 11 × 9	3000	27.9 34.2	57.5 75	0.641 1.07	3.7 5.74	0.641 1.07	3.7 5.74	0.795 1.03	0.7 0.9	3.6	
5	28	31	26	40	9 × 14 × 12	3000	39.3 48.3	82.5 108	1.02 1.76	6.21 9.73	1.02 1.76	6.21 9.73	1.47 1.92	1.2 1.6	4.4	

Note1) The maximum length under "Length\*" indicates the standard maximum length of an LM rail. (See [A1-428](#).)

Static permissible moment\* 1 block: the static permissible moment with one LM block

Double blocks: static permissible moment when two LM blocks are in close contact with each other for oil lubrication, be certain to let THK know the mounting orientation and where the LM block piping joint should be attached.

(Mounting orientation: see [A1-12](#), Lubricant: see [A24-2](#))

Total block length L : The total block length L shown in the table is the length with the dust proof parts, code UU or SS. If other contamination protection accessories or lubricant equipment are installed, the total block length will increase. (See [A1-491](#) or [A1-512](#))

The removing/mounting jig is not provided as standard. Contact THK before use.

\*\* A pilot hole for side nipples, when a grease nipple for a model equipped with LaCS or QZ Lubricator is needed.

Pilot holes for side nipples are not drilled through for models other than those stated above.

For grease nipple mount machining, contact THK. (See [A1-430](#))

Note2) H\*, T<sub>1</sub>\* If the mounting holes (4 holes) of the LM block are back spot-faced, these models can be mounted on the table from the top and the bottom as with the Model SRG-C.

The value in the parentheses represents a dimension if the mounting hole is back spot-faced.

Contact THK for details.

Note3) The basic dynamic load rating of the roller guide is a value based on a nominal life of 100 km.

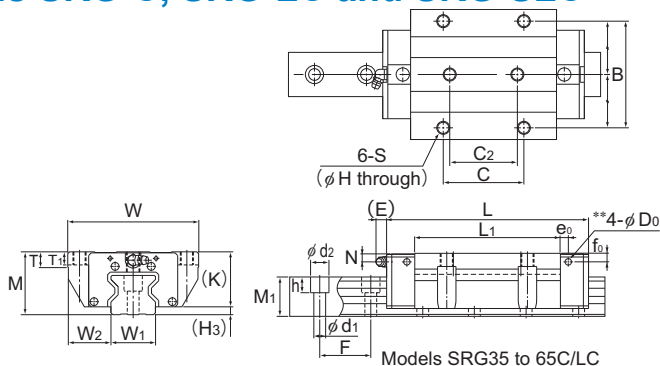
The conversion to basic dynamic load rating for a nominal life of 50 km can be obtained from the following equation.

$$C_{50} = C \times 1.23$$

C<sub>50</sub> : The basic dynamic load rating for a nominal load of 50 km

C : The basic dynamic load rating in the dimensional table

# Models SRG-C, SRG-LC and SRG-SLC



Models SRG35 to 65C/LC

Model No.	Outer dimensions			LM block dimensions																Grease nipple
	Height	Width	Length	B	C	C <sub>2</sub>	S	H	ℓ <sub>1</sub>	ℓ <sub>2</sub>	L <sub>1</sub>	T	T <sub>1</sub>	K	N	E	e <sub>0</sub>	f <sub>0</sub>	D <sub>0</sub>	
	M	W	L																	
SRG 35C SRG 35LC SRG 35SLC	48	100	125 155 180.8	82	62 62 100	52 52 —	M10	8.5	—	—	82.2 112.2 138.0	11.5	10	42	6.5	12	6	6	5.2	B-M6F
SRG 45C SRG 45LC SRG 45SLC	60	120	155 190 231.5	100	80 80 120	60 60 —	M12	10.5	—	—	107 142 183.5	14.5	15	52	10	16	7	7	5.2	B-PT1/8
SRG 55C SRG 55LC SRG 55SLC	70	140	185 235 292	116	95 95 150	70 70 —	M14	12.5	—	—	129.2 179.2 236.2	17.5	18	60	12	16	9	8.5	5.2	B-PT1/8
SRG 65C SRG 65LC SRG 65SLC	90	170	244.9 303 380	142	110 110 200	82 82 —	M16	14.5	—	—	171.7 229.8 306.8	19.5	20	78.5	17	16	9	13.5	5.2	B-PT1/8

## Model number coding

**SRG45 LC 2 QZ TTHH C0 +1200L P Z T -II**

Model number

Type of LM block

With QZ Lubricator

Contamination protection accessory symbol (\*1)

LM rail length (in mm)

With plate cover

Symbol for No. of rails used on the same plane (\*4)

No. of LM blocks used on the same rail

Radial clearance symbol (\*2)  
Normal (No symbol)  
Light preload (C1)  
Medium preload (C0)

Accuracy symbol (\*3)

High accuracy grade (H)/Precision grade (P)  
Super precision grade (SP)/Ultra precision grade (UP)

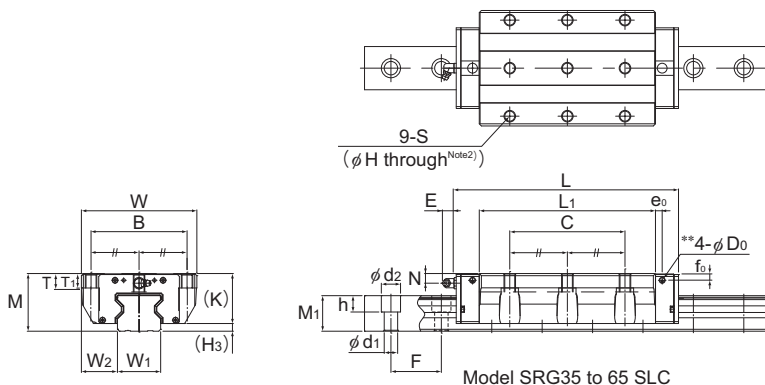
Symbol for LM rail jointed use

(\*1) See contamination protection accessory on **A1-516**. (\*2) See **A1-73**. (\*3) See **A1-77**. (\*4) See **A1-13**.

Note) This model number indicates that a single-rail unit constitutes one set. (i.e., required number of sets when 2 rails are used in parallel is 2 at a minimum.)

Those models equipped with QZ Lubricator cannot have a grease nipple. When desiring a grease nipple for a model attached with QZ, contact THK.





Unit: mm

H <sub>3</sub>	LM rail dimensions							Basic load rating <sup>†</sup>		Static permissible moment kN·m*					Mass	
	W <sub>1</sub> 0 -0.05	W <sub>2</sub>	M <sub>1</sub>	F	d <sub>1</sub> × d <sub>2</sub> × h	Length* Max	C kN	C <sub>0</sub> kN	M <sub>A</sub>		M <sub>B</sub>		M <sub>C</sub>	LM block kg	LM rail kg/m	
									1 block	Double blocks	1 block	Double blocks	1 block			
	W <sub>1</sub>	W <sub>2</sub>	M <sub>1</sub>	F	d <sub>1</sub> × d <sub>2</sub> × h	Max	C	C <sub>0</sub>	1 block	Double blocks	1 block	Double blocks	1 block	LM block kg	LM rail kg/m	
6	34	33	30	40	9 × 14 × 12	3000	59.1 76 87.9	119 165 199	1.66 3.13 4.53	10.1 17 23.9	1.66 3.13 4.53	10.1 17 23.9	2.39 3.31 4.09	1.9 2.4 3.2	6.9	
8	45	37.5	37	52.5	14 × 20 × 17	3090	91.9 115 139	192 256 328	3.49 6.13 9.99	20 32.2 50.0	3.49 6.13 9.99	20 32.2 50.0	4.98 6.64 8.91	3.7 4.5 6.3	11.6	
10	53	43.5	43	60	16 × 23 × 20	3060	131 167 210	266 366 488	5.82 10.8 19.1	33 57 93.7	5.82 10.8 19.1	33 57 93.7	8.19 11.2 15.6	5.9 7.8 10.7	15.8	
11.5	63	53.5	54	75	18 × 26 × 22	3000	219 278 352	441 599 811	12.5 22.7 41.3	72.8 120 202	12.5 22.7 41.3	72.8 120 202	16.8 22.1 30.9	12.5 16.4 22.3	23.7	

Note1) The maximum length under "Length\*" indicates the standard maximum length of an LM rail. (See [A1-428](#).)

Static permissible moment\* 1 block: the static permissible moment with one LM block

Double blocks: static permissible moment when two LM blocks are in close contact with each other

For oil lubrication, be certain to let THK know the mounting orientation and where the LM block piping joint should be attached.

(Mounting orientation: see [A1-12](#). Lubricant: see [A24-2](#))

Total block length L

: The total block length L shown in the table is the length with the dust proof parts, code UU or SS. If other contamination protection accessories or lubricant equipment are installed, the total block length will increase.

(See [A1-491](#) or [A1-512](#))

The removing/mounting jig is not provided as standard. Contact THK before use.

\*\* A pilot hole for side nipples, when a grease nipple for a model equipped with LaCS or QZ Lubricator is needed.

Pilot holes for side nipples are not drilled through for models other than those stated above.

For grease nipple mount machining, contact THK. (See [A1-430](#))

Note2) The basic dynamic load rating of the roller guide is a value based on a nominal life of 100 km.

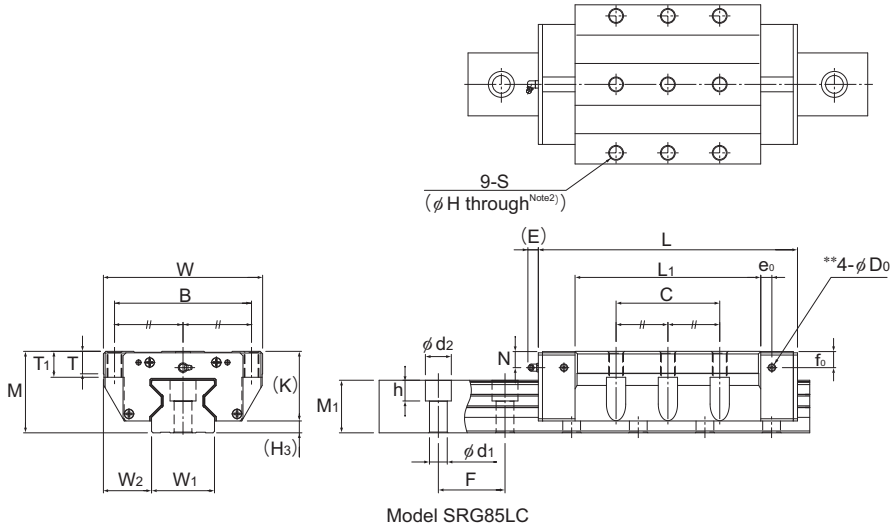
The conversion to basic dynamic load rating for a nominal life of 50 km can be obtained from the following equation.

$$C_{50} = C \times 1.23$$

C<sub>50</sub>: The basic dynamic load rating for a nominal load of 50 km

C: The basic dynamic load rating in the dimensional table

# Model SRG-LC



Model No.	Outer dimensions			LM block dimensions														Grease nipple
	Height	Width	Length															
	M	W	L	B	C	S	H	L <sub>1</sub>	T	T <sub>1</sub>	K	N	E	e <sub>0</sub>	f <sub>0</sub>	D <sub>0</sub>		
SRG 85LC	110	215	350	185	140	M20	17.8	250.8	30	35	94	22	16	15	22	8.2	B-PT1/8	
SRG 100LC	120	250	395	220	200	M20	17.8	280.2	35	38	104	23	16	15	23	8.2	B-PT1/4	

## Model number coding

**SRG85 LC 2 TT C0 +2610L P Z T - II**

Model number

Type of LM block

Contamination protection accessory symbol (\*1)

LM rail length (in mm)

With plate cover

Symbol for No. of rails used on the same plane (\*4)

No. of LM blocks used on the same rail

Radial clearance symbol (\*2)  
Normal (No symbol)  
Light preload (C1)  
Medium preload (C0)

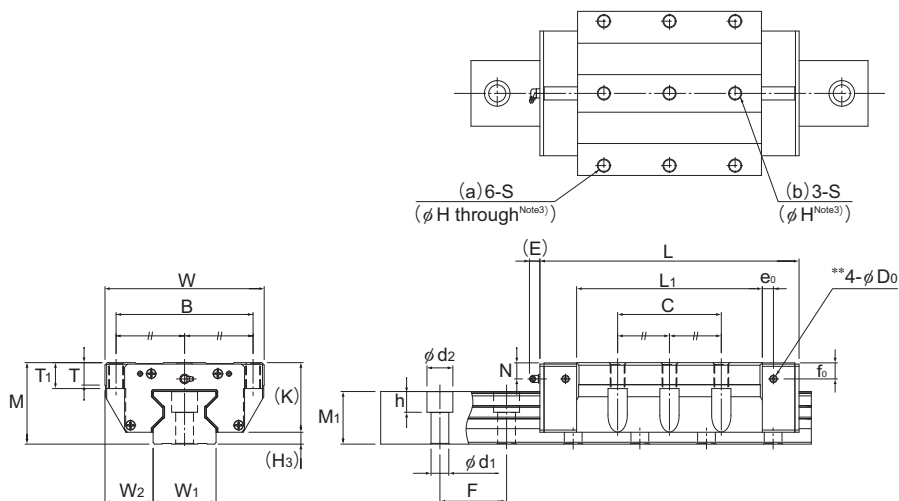
Symbol for LM rail jointed use

Accuracy symbol (\*3)  
Precision grade (P)/Super precision grade (SP)  
Ultra precision grade (UP)

(\*1) See contamination protection accessory on **▲1-516**. (\*2) See **▲1-73**. (\*3) See **▲1-77**. (\*4) See **▲1-13**.

Note) This model number indicates that a single-rail unit constitutes one set. (i.e., required number of sets when 2 rails are used in parallel is 2 at a minimum.)

Those models equipped with QZ Lubricator cannot have a grease nipple. When desiring a grease nipple for a model attached with QZ, contact THK.



Model SRG100LC

Unit: mm

H <sub>3</sub>	LM rail dimensions					Basic load rating <sup>1)</sup>			Static permissible moment kN·m <sup>*</sup>					Mass	
	Width	Height	Pitch	Length <sup>*</sup>	C	C <sub>0</sub>	M <sub>A</sub>		M <sub>S</sub>		M <sub>C</sub>	LM block	LM rail		
	W <sub>1</sub> 0 -0.05	W <sub>2</sub>	M <sub>1</sub>				F	d <sub>1</sub> × d <sub>2</sub> × h	Max	kN	kN	1 block	Double blocks	1 block	Double blocks
16	85	65	71	90	24 × 35 × 28	3000	497	990	45.3	239	45.3	239	51.9	26.2	35.7
16	100	75	77	105	26 × 39 × 32	3000	601	1170	60	319	60	319	72.3	37.6	46.8

Note1) The maximum length under "Length\*" indicates the standard maximum length of an LM rail. (See [A1-428](#).)

Static permissible moment\* 1 block: the static permissible moment with one LM block

Double blocks: static permissible moment when two LM blocks are in close contact with each other for side nipples are not drilled through for models other than those stated above.

For oil lubrication, be certain to let THK know the mounting orientation and where the LM block piping joint should be attached.

(Mounting orientation: see [A1-12](#), Lubricant: see [A24-2](#))

Total block length L : The total block length L shown in the table is the length with the dust proof parts, code UU or SS. If other contamination protection accessories or lubricant equipment are installed, the total block length will increase.

(See [A1-491](#) or [A1-512](#))

The removing/mounting jig is not provided as standard. Contact THK before use.

\*\* A pilot hole for side nipples, when a grease nipple for a model equipped with LaCS or QZ Lubricator is needed.

Pilot holes for side nipples are not drilled through for models other than those stated above.

For grease nipple mount machining, contact THK. (See [A1-430](#).)

Note2) The LM block mounting holes (9 holes) of SRG85LC are all through holes (full thread).

Note3) The LM block mounting holes in part (a) (6 holes) of SRG100LC are through holes (full thread).

The LM block mounting holes in part (b) (3 holes) have effective thread depth of 22 mm.

Note4) The basic dynamic load rating of the roller guide is a value based on a nominal life of 100 km.

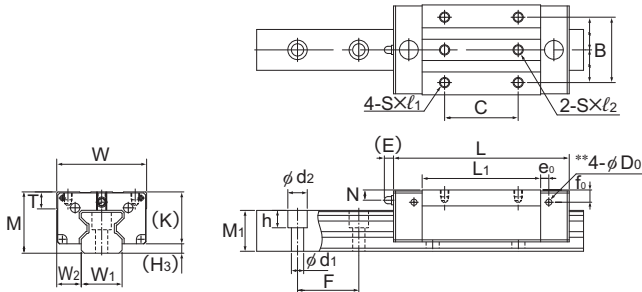
The conversion to basic dynamic load rating for a nominal life of 50 km can be obtained from the following equation.

$$C_{50} = C \times 1.23$$

C<sub>50</sub> :The basic dynamic load rating for a nominal load of 50 km

C :The basic dynamic load rating in the dimensional table

# Models SRG-V, SRG-LV, SRG-R and SRG-LR



Models SRG15V and 20V/LV

Model No.	Outer dimensions			LM block dimensions															Grease nipple
	Height	Width	Length	B	C	S	$\ell$	$\ell_1$	$\ell_2$	$L_1$	T	K	N	E	$e_0$	$f_0$	$D_0$		
	M	W	L	B	C	S	$\ell$	$\ell_1$	$\ell_2$	$L_1$	T	K	N	E	$e_0$	$f_0$	$D_0$		
SRG 15V	24	34	69.2	26	26	M4	—	5	7.5	45	6	20	4	4.5	4	6	2.9	PB107	
SRG 20V SRG 20LV	30	44	86.2 106.2	32	36 50	M5	—	7	9	58 78	8	25.4	5	4.5	4	6	2.9	PB107	
SRG 25R SRG 25LR	40	48	95.5 115.1	35	35 50	M6	9	—	—	65.5 85.1	9.5	35.5	9.5	12	6	10.4	5.2	B-M6F	
SRG 30R SRG 30LR	45	60	111 135	40	40 60	M8	10	—	—	75 99	12	40	9.5	12	6	10.5	5.2	B-M6F	

## Model number coding

**SRG30 LR 2 QZ TTHH C0 +1200L P Z T - II**

Model number

Type of LM block

With QZ Lubricator

Contamination protection accessory symbol (\*1)

LM rail length (in mm)

With plate cover

Symbol for No. of rails used on the same plane (\*4)

No. of LM blocks used on the same rail

Radial clearance symbol (\*2)  
Normal (No symbol)  
Light preload (C1)  
Medium preload (C0)

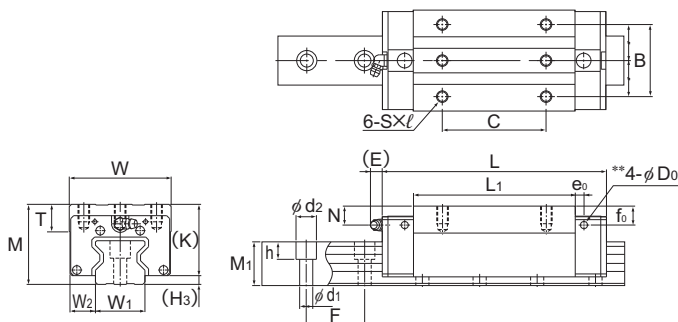
Accuracy symbol (\*3)  
Precision grade (P)/Super precision grade (SP)  
Ultra precision grade (UP)

Symbol for LM rail jointed use

(\*1) See contamination protection accessory on **A1-516**. (\*2) See **A1-73**. (\*3) See **A1-77**. (\*4) See **A1-13**.

Note) This model number indicates that a single-rail unit constitutes one set. (i.e., required number of sets when 2 rails are used in parallel is 2 at a minimum.)

Those models equipped with QZ Lubricator cannot have a grease nipple. When desiring a grease nipple for a model attached with QZ, contact THK.



Models SRG25 to 30R/LR/LV

Unit: mm

H <sub>3</sub>	LM rail dimensions						Basic load rating*		Static permissible moment kN·m*					Mass	
	Width W <sub>1</sub> 0 -0.05	Height W <sub>2</sub>	Pitch M <sub>1</sub>	Pitch F	Pitch d <sub>1</sub> × d <sub>2</sub> × h	Length* Max	C kN	C <sub>0</sub> kN	M <sub>A</sub>		M <sub>B</sub>		M <sub>C</sub>	LM block	LM rail
									1 block	Double blocks	1 block	Double blocks	1 block	kg	kg/m
4	15	9.5	15.5	30	4.5×7.5×5.3	3000	11.3	25.8	0.21	1.24	0.21	1.24	0.24	0.15	1.58
4.6	20	12	20	30	6×9.5×8.5	3000	21 26.7	46.9 63.8	0.48 0.88	2.74 4.49	0.48 0.88	2.74 4.49	0.58 0.79	0.28 0.38	2.58
4.5	23	12.5	23	30	7×11×9	3000	27.9 34.2	57.5 75	0.641 1.07	3.7 5.74	0.641 1.07	3.7 5.74	0.795 1.03	0.6 0.8	3.6
5	28	16	26	40	9×14×12	3000	39.3 48.3	82.5 108	1.02 1.76	6.21 9.73	1.02 1.76	6.21 9.73	1.47 1.92	0.9 1.2	4.4

Note1) The maximum length under "Length\*" indicates the standard maximum length of an LM rail. (See [A1-428](#).)  
 Static permissible moment\* 1 block: the static permissible moment with one LM block

Double blocks: static permissible moment when two LM blocks are in close contact with each other attached.

(Mounting orientation: see [A1-12](#). Lubricant: see [A24-2](#))

Total block length L

: The total block length L shown in the table is the length with the dust proof parts, code UU or SS. If other contamination protection accessories or lubricant equipment are installed, the total block length will increase.

(See [A1-491](#) or [A1-512](#))

The removing/mounting jig is not provided as standard. Contact THK before use.

\*\* A pilot hole for side nipples, when a grease nipple for a model equipped with LaCS or QZ Lubricator is needed.

Pilot holes for side nipples are not drilled through for models other than those stated above.

For grease nipple mount machining, contact THK. (See [A1-430](#))

Note2) The basic dynamic load rating of the roller guide is a value based on a nominal life of 100 km.

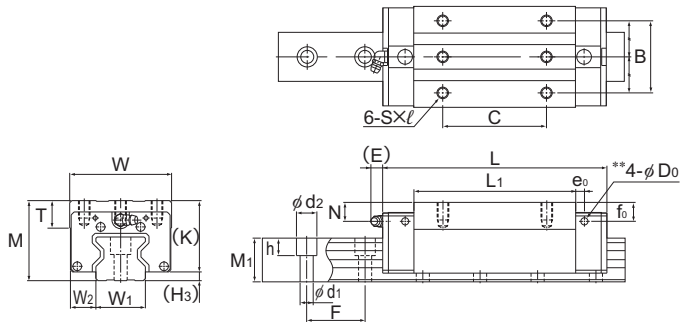
The conversion to basic dynamic load rating for a nominal life of 50 km can be obtained from the following equation.

$$C_{50} = C \times 1.23$$

C<sub>50</sub>: The basic dynamic load rating for a nominal load of 50 km

C: The basic dynamic load rating in the dimensional table

# Models SRG-V, SRG-LV, SRG-SLV, SRG-R, SRG-LR and SRG-SLR



Models SRG35 to 65R/LR/LV

Model No.	Outer dimensions			LM block dimensions														Grease nipple
	Height	Width	Length	B	C	S	$\ell$	$\ell_1$	$\ell_2$	$L_1$	T	K	N	E	$e_0$	$f_0$	$D_0$	
	M	W	L	B	C	S	$\ell$	$\ell_1$	$\ell_2$	$L_1$	T	K	N	E	$e_0$	$f_0$	$D_0$	
SRG 35R SRG 35LR SRG 35SLR	55	70	125 155 180.8	50	50 72 100	M8	12	—	—	82.2 112.2 138.0	18.5	49	13.5	12	6	13	5.2	B-M6F
SRG 45R SRG 45LR SRG 45SLR	70	86	155 190 231.5	60	60 80 120	M10	20	—	—	107 142 183.5	24.5	62	20	16	7	17	5.2	B-PT1/8
SRG 55R SRG 55LR SRG 55SLR	80	100	185 235 292	75	75 95 150	M12	18	—	—	129.2 179.2 236.2	27.5	70	22	16	9	18.5	5.2	B-PT1/8
SRG 65V SRG 65LV SRG 65SLV	90	126	244.9 303 380	76	70 120 200	M16	20	—	—	171.7 229.8 306.8	19.5	78.5	17	16	9	13.5	5.2	B-PT1/8

## Model number coding

### SRG45 LR 2 QZ TTHH C0 +1200L P Z T - II

Model number

Type of LM block

With QZ Lubricator

Contamination protection accessory symbol (\*1)

LM rail length (in mm)

With plate cover

Symbol for No. of rails used on the same plane (\*4)

No. of LM blocks used on the same rail

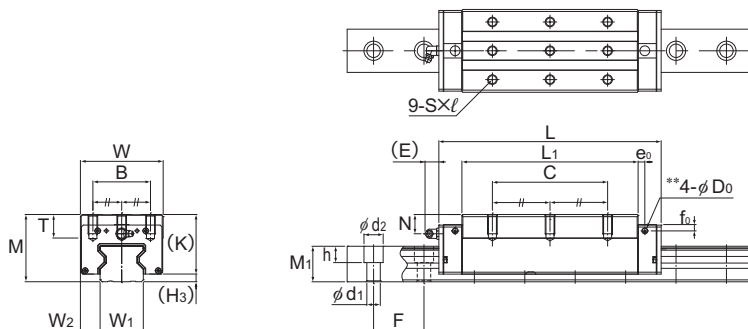
Radial clearance symbol (\*2)  
Normal (No symbol)  
Light preload (C1)  
Medium preload (C0)Accuracy symbol (\*3)  
High accuracy grade (H)/Precision grade (P)  
Super precision grade (SP)/Ultra precision grade (UP)

Symbol for LM rail jointed use

(\*1) See contamination protection accessory on **A1-516**. (\*2) See **A1-73**. (\*3) See **A1-77**. (\*4) See **A1-13**.

Note) This model number indicates that a single-rail unit constitutes one set. (i.e., required number of sets when 2 rails are used in parallel is 2 at a minimum.)

Those models equipped with QZ Lubricator cannot have a grease nipple. When desiring a grease nipple for a model attached with QZ, contact THK.



Models SRG35 to 55 SLR

Unit: mm

H <sub>3</sub>	LM rail dimensions						Basic load rating*		Static permissible moment kN·m*					Mass	
	W <sub>1</sub> 0 -0.05	W <sub>2</sub>	M <sub>1</sub>	F	d <sub>1</sub> × d <sub>2</sub> × h	Length* Max	C kN	C <sub>0</sub> kN	M <sub>A</sub>		M <sub>B</sub>		M <sub>C</sub>	LM block kg	LM rail kg/m
									1 block	Double blocks	1 block	Double blocks			
6	34	18	30	40	9 × 14 × 12	3000	59.1 76 87.9	119 165 199	1.66 3.13 4.53	10.1 17 23.9	1.66 3.13 4.53	10.1 17 23.9	2.39 3.31 4.09	1.6 2.1 2.6	6.9
8	45	20.5	37	52.5	14 × 20 × 17	3090	91.9 115 139	192 256 328	3.49 6.13 9.99	20 32.2 50.0	3.49 6.13 9.99	20 32.2 50.0	4.98 6.64 8.91	3.2 4.1 5.4	11.6
10	53	23.5	43	60	16 × 23 × 20	3060	131 167 210	266 366 488	5.82 10.8 19.1	33 57 93.7	5.82 10.8 19.1	33 57 93.7	8.19 11.2 15.6	5 6.9 9.2	15.8
11.5	63	31.5	54	75	18 × 26 × 22	3000	219 278 352	441 599 811	12.5 22.7 41.3	72.8 120 202	12.5 22.7 41.3	72.8 120 202	16.8 22.1 30.9	9.0 12.1 16.1	23.7

Note1) The maximum length under "Length\*" indicates the standard maximum length of an LM rail. (See [A1-428](#).)  
 Static permissible moment\* 1 block: the static permissible moment with one LM block

Double blocks: static permissible moment when two LM blocks are in close contact with each other attached.

For oil lubrication, be certain to let THK know the mounting orientation and where the LM block piping joint should be attached.  
 (Mounting orientation: see [A1-12](#). Lubricant: see [A24-2](#))

Total block length L

: The total block length L shown in the table is the length with the dust proof parts, code UU or SS. If other contamination protection accessories or lubricant equipment are installed, the total block length will increase.

(See [A1-491](#) or [A1-512](#))

The removing/mounting jig is not provided as standard. Contact THK before use.

\*\* A pilot hole for side nipples, when a grease nipple for a model equipped with LaCS or QZ Lubricator is needed.

Pilot holes for side nipples are not drilled through for models other than those stated above.

For grease nipple mount machining, contact THK. (See [A1-430](#))

Note2) The basic dynamic load rating of the roller guide is a value based on a nominal life of 100 km.

The conversion to basic dynamic load rating for a nominal life of 50 km can be obtained from the following equation.

$$C_{50} = C \times 1.23$$

C<sub>50</sub>: The basic dynamic load rating for a nominal load of 50 km

C: The basic dynamic load rating in the dimensional table

## Standard Length and Maximum Length of the LM Rail

Table4 shows the standard lengths and the maximum lengths of model SRG variations. If the maximum length of the desired LM rail exceeds them, jointed rails will be used. Contact THK for details. For special rail lengths, it is recommended to use a value corresponding to the G,g dimension from the table. As the G,g dimension increases, this portion becomes less stable, and the accuracy performance is severely impacted.

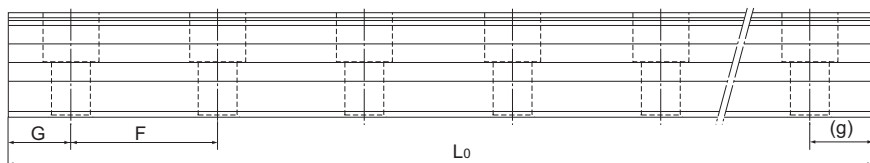


Table4 Standard Length and Maximum Length of the LM Rail for Model SRG

Unit: mm

Model No.	SRG 15	SRG 20	SRG 25	SRG 30	SRG 35	SRG 45	SRG 55	SRG 65	SRG 85	SRG 100
LM rail standard length ( $L_0$ )	160	220	220	280	280	570	780	1270	1530	1340
	220	280	280	360	360	675	900	1570	1890	1760
	280	340	340	440	440	780	1020	2020	2250	2180
	340	400	400	520	520	885	1140	2620	2610	2600
	400	460	460	600	600	990	1260			
	460	520	520	680	680	1095	1380			
	520	580	580	760	760	1200	1500			
	580	640	640	840	840	1305	1620			
	640	700	700	920	920	1410	1740			
	700	760	760	1000	1000	1515	1860			
	760	820	820	1080	1080	1620	1980			
	820	940	940	1160	1160	1725	2100			
	940	1000	1000	1240	1240	1830	2220			
	1000	1060	1060	1320	1320	1935	2340			
	1060	1120	1120	1400	1400	2040	2460			
	1120	1180	1180	1480	1480	2145	2580			
	1180	1240	1240	1560	1560	2250	2700			
	1240	1360	1300	1640	1640	2355	2820			
	1360	1480	1360	1720	1720	2460	2940			
	1480	1600	1420	1800	1800	2565	3060			
	1600	1720	1480	1880	1880	2670				
		1840	1540	1960	1960	2775				
		1960	1600	2040	2040	2880				
	2080	1720	2200	2200	2985					
	2200	1840	2360	2360	3090					
		1960	2520	2520						
		2080	2680	2680						
		2200	2840	2840						
		2320	3000	3000						
		2440								
Standard pitch F	30	30	30	40	40	52.5	60	75	90	105
G,g	20	20	20	20	20	22.5	30	35	45	40
Max length	3000	3000	3000	3000	3000	3090	3060	3000	3000	3000

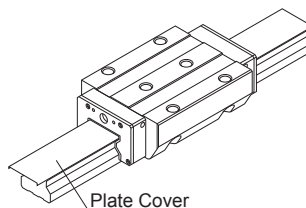
Note1) The maximum length varies with accuracy grades. Contact THK for details.

Note2) If jointed rails are not allowed and a greater length than the maximum values above is required, contact THK.



## Plate Cover

By covering the LM rail's mounting holes with ultra-thin stainless steel (SUS304) plates, the sealability of the end seals increase drastically, helping prevent foreign materials and liquid from entering from the top of the LM rail. Contact THK for further details regarding mounting.



Note 1) The Model SRG with plate cover is not a standard specification. (Please note it is not possible to add just the plate cover afterwards.)

Note 2) The LM block must be removed from the LM rail when mounting. When doing this, a removing/mounting jig (see **A1-541**) is required. Please contact THK for details.

Note 3) Plate covers are available for models SRG 35 to 65.

---

## Greasing Hole

---

### [Greasing Hole for Model SRG]

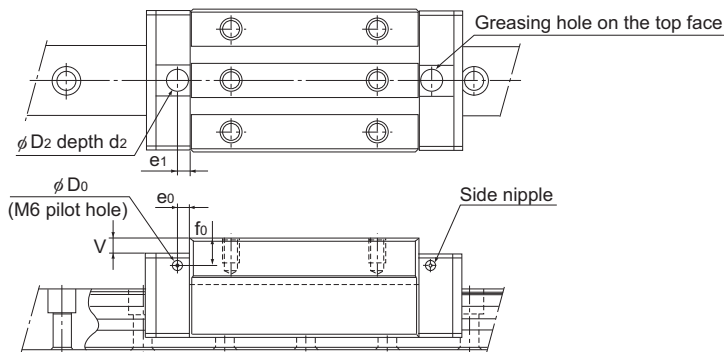
Model SRG allows lubrication from both the side and top faces of the LM block. The greasing hole of standard types is not drilled through in order to prevent foreign material from entering the LM block. When using the greasing hole, contact THK.

When using the greasing hole on the top face of models SRG-R, SRG-LR and SRG-SLR, a greasing adapter is separately required. Contact THK for details.

If the mounting orientation of the LM Guide is other than horizontal use, the lubricant may not reach the raceway completely.

Be sure to let THK know the mounting orientation and the exact position in each LM block where the grease nipple or the piping joint should be attached.

For the mounting orientation and the lubrication, see **A1-12** and **A24-2**, respectively.



Unit: mm

Model No.	Pilot hole for side nipple			Applicable nipple	Greasing hole on the top face					
	$e_0$	$f_0$	$D_0$		$D_2$	(O-ring)	$V$	$e_1$	$d_2$	
SRG	15A 15V	4	6	2.9	PB107	9.2	(P6)	0.5	5.5	1.5
	20A 20LA	4	6	2.9	PB107	9.2	(P6)	0.5	6.5	1.5
	20V 20LV	4	6	2.9	PB107	9.2	(P6)	0.5	6.5	1.5
	25C 25LC	6	6.4	5.2	M6F	10.2	(P7)	0.5	6	1.5
	25R 25LR	6	10.4	5.2	M6F	10.2	(P7)	4.5	6	1.5
	30C 30LC	6	7.5	5.2	M6F	10.2	(P7)	0.4	6	1.4
	30R 30LR	6	10.5	5.2	M6F	10.2	(P7)	3.4	6	1.4
	35C 35LC 35SLC	6	6	5.2	M6F	10.2	(P7)	0.4	6	1.4
	35R 35LR 35SLR	6	13	5.2	M6F	10.2	(P7)	7.4	6	1.4
	45C 45LC 45SLC	7	7	5.2	M6F	10.2	(P7)	0.4	7	1.4
	45R 45LR 45SLR	7	17	5.2	M6F	10.2	(P7)	10.4	7	1.4
	55C 55LC 55SLC	9	8.5	5.2	M6F	10.2	(P7)	0.4	11	1.4
	55R 55LR 55SLR	9	18.5	5.2	M6F	10.2	(P7)	10.4	11	1.4
	65C 65LC 65SLC	9	13.5	5.2	M6F	10.2	(P7)	0.4	10	1.4
	65V 65LV 65SLV	9	13.5	5.2	M6F	10.2	(P7)	0.4	10	1.4
	85LC	15	22	8.2	PT1/8	13	(P10)	0.4	10	1
	100LC	15	23	8.2	PT1/8	13	(P10)	0.4	10	1

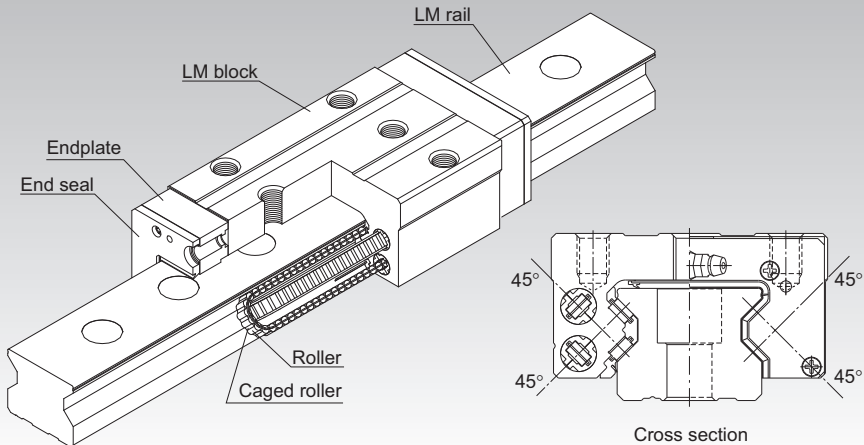
Note1) The greasing interval is longer than that of full-roller types because of the roller cage effect. However, the actual greasing interval may vary depending on the service environment, such as a high load and high speed. Contact THK for details.

Note2) Upper surface lubrication is for oil lubrication only. Contact THK if you are considering using the greasing hole on the top face for grease lubrication.

# SRN



## Caged Roller LM Guide Ultra-high Rigidity Type (Low Center of Gravity) Model SRN



\*For the caged roller, see **A1-408**.

**Point of Selection** **A1-10**

**Point of Design** **A1-454**

**Options** **A1-477**

**Model No.** **A1-543**

**Precautions on Use** **A1-549**

**Accessories for Lubrication** **A24-1**

**Mounting Procedure and Maintenance** **B1-89**

Equivalent moment factor **A1-43**

Rated Loads in All Directions **A1-59**

Equivalent factor in each direction **A1-61**

Radial Clearance **A1-73**

Accuracy Standards **A1-77**

Shoulder Height of the Mounting Base and the Corner Radius **A1-466**

Error Allowance of the Mounting Surface **A1-436**

Dimensions of Each Model with an Option Attached **A1-491**

---

## Structure and Features

---

SRN is an ultra-high rigidity Roller Guide that uses roller cages to allow low-friction, smooth motion and achieve long-term maintenance-free operation.

### [Ultra-high Rigidity]

A higher rigidity is achieved by using highly rigid rollers as the rolling elements and having the overall roller length more than 1.5 times greater than the roller diameter.

### [4-way Equal Load]

Since each row of rollers is arranged at a contact angle of 45° so that the LM block receives an equal load rating in all directions (radial, reverse radial and lateral directions), high rigidity is ensured in all directions.

### [Smooth Motion through Skewing Prevention]

The roller cage allows rollers to form an evenly spaced line while circulating, thus preventing the rollers from skewing as the block enters an loaded area. As a result, fluctuation of the rolling resistance is minimized, and stable, smooth motion is achieved.

### [Long-term Maintenance-free Operation]

Use of roller cages eliminates friction between rollers and increases grease retention, enabling long-term maintenance-free operation to be achieved.

### [Low-Profile Low Center of Gravity]

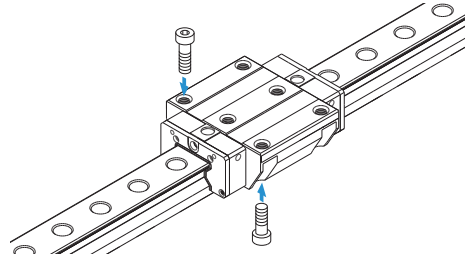
Because it has a lower total height than the Caged Roller LM Guide Model SRG, it is ideal for compact designs.

## Types and Features

### Model SRN-C

The flange of the LM block has tapped holes.  
Can be mounted from the top or the bottom.  
Used in places where the table cannot have through holes for mounting bolts.

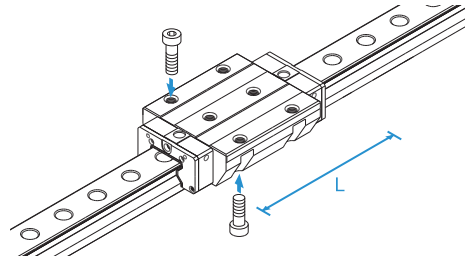
Specification Table⇒ **A1-438**



### Model SRN-LC

The LM block has the same cross-sectional shape as model SRN-C, but has a longer overall LM block length (L) and a greater rated load.

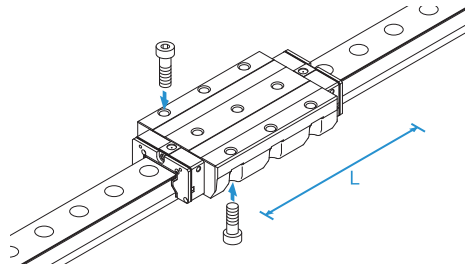
Specification Table⇒ **A1-438**



### Model SRN-SLC

The LM block has the same cross-sectional shape as model SRN-LC, but has a longer overall LM block length (L) and a greater rated load.

Specification Table⇒ **A1-438**

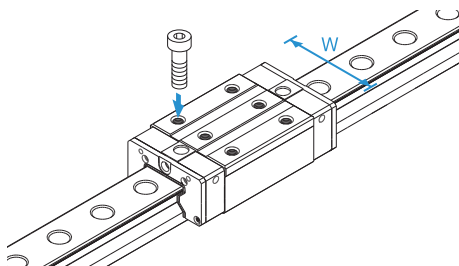


## Model SRN-R

With this type, the LM block has a smaller width ( $W$ ) and tapped holes.

Used in places where the space for table width is limited.

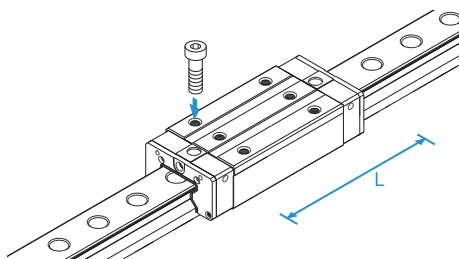
Specification Table⇒ **A1-440**



## Model SRN-LR

The LM block has the same cross-sectional shape as model SRN-R, but has a longer overall LM block length ( $L$ ) and a greater rated load.

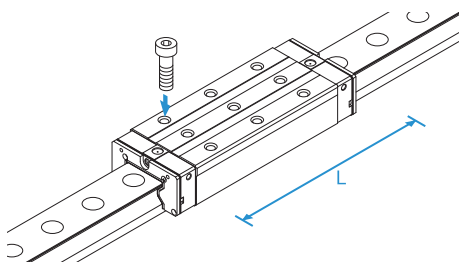
Specification Table⇒ **A1-440**



## Model SRN-SLR

The LM block has the same cross-sectional shape as model SRN-LR, but has a longer overall LM block length ( $L$ ) and a greater rated load.

Specification Table⇒ **A1-440**



## Error Allowance of the Mounting Surface

The caged roller LM Guide Model SRG features high rigidity since it uses rollers as its rolling element and it also features a cage which prevents the rollers from skewing. However, high machining accuracy is required in the mounting surface. If the error on the mounting surface is large, it will affect the rolling resistance and the service life. The following shows the maximum permissible value according to the radial clearance.

Table1 Error Allowance in Parallelism (P) between Two Rails

Unit: mm

Radial clearance	Normal	C1	C0
Model No.			
SRN 35	0.014	0.010	0.007
SRN 45	0.017	0.013	0.009
SRN 55	0.021	0.014	0.011
SRN 65	0.027	0.018	0.014

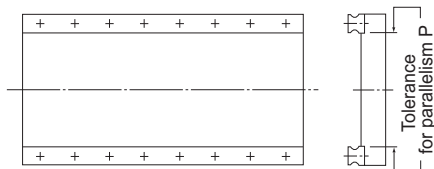


Fig.1

Table2 Error Allowance in Vertical Level (X) between Two Rails

Unit: mm

Radial clearance	Normal	C1	C0
Permissible error on the mounting surface X	0.00030a	0.00021a	0.00011a

$$X = X_1 + X_2$$

$X_1$  : Level difference on the rail mounting surface

$X_2$  : Level difference on the block mounting surface

Example of calculation

Rail span when  $a = 500\text{mm}$

Error allowance of the mounting surface  $X = 0.0003 \times 500$

$= 0.15$

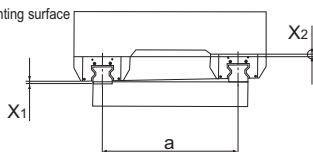


Fig.2

Table3 Error Allowance in Level (Y) in the Axial Direction

Unit: mm

Permissible error on the mounting surface	0.000036b
---	-----------

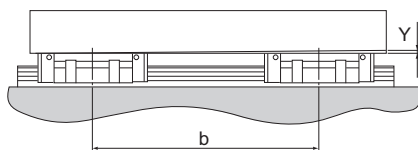
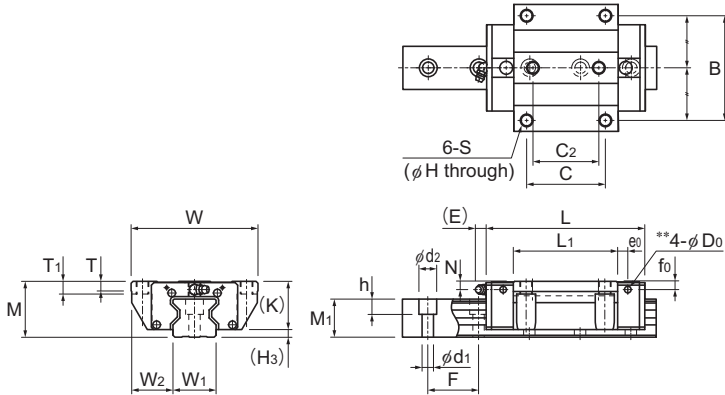


Fig.3





# Models SRN-C, SRN-LC and SRN-SLC



Models SRN35 to 65C/LC

Model No.	Outer dimensions			LM block dimensions														Grease nipple	H <sub>3</sub>
	Height	Width	Length	B	C	C <sub>2</sub>	S	H	L <sub>1</sub>	T	T <sub>1</sub>	K	N	E	e <sub>0</sub>	f <sub>0</sub>	D <sub>0</sub>		
	M	W	L																
SRN 35C SRN 35LC SRN 35SLC	44	100	125 155 180.8	82	62 100	52 —	M10	8.5	82.2 112.2 138	11.7	10	38	6.5	12	8	7	5.2	B-M6F	6
SRN 45C SRN 45LC SRN 45SLC	52	120	155 190 231.5	100	80 120	60 —	M12	10.5	107 142 183.5	16.5	15	45	7	12	8.5	7.6	5.2	B-M6F	7
SRN 55C SRN 55LC SRN 55SLC	63	140	185 235 292	116	95 150	70 —	M14	12.5	129 179.2 236.2	18.2	18	53	8	16	10	9.8	5.2	B-PT1/8	10
SRN 65C SRN 65LC SRN 65SLC	75	170	244.9 303 380	142	110 200	82 —	M16	14.5	171.7 229.8 306.8	21.2 21.2	20	65	14	16	9	13	5.2	B-PT1/8	10

## Model number coding

**SRN45 C 2 QZ KK C0 +1160L P Z T -II**

Model number

Type of LM block

With QZ lubricator

Contamination protection accessory symbol (\*1)

LM rail length (in mm)

With plate cover

Symbol for No. of rails used on the same plane (\*4)

No. of LM blocks used on the same rail

Radial clearance symbol (\*2)  
Normal (No symbol)  
Light preload (C1)  
Medium preload (C0)

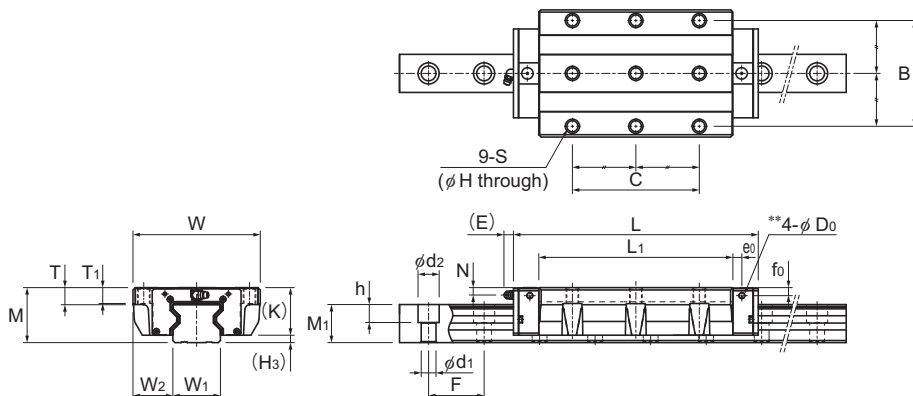
Symbol for LM rail jointed use

Accuracy symbol (\*3)  
Precision grade (P)/Super precision grade (SP)  
Ultra precision grade (UP)

(\*1) See contamination protection accessory on **A1-516**. (\*2) See **A1-73**. (\*3) See **A1-77**. (\*4) See **A1-13**.

Note) This model number indicates that a single-rail unit constitutes one set. (i.e., required number of sets when 2 rails are used in parallel is 2 at a minimum.)

Those models equipped with QZ Lubricator cannot have a grease nipple. When desiring a grease nipple for a model attached with QZ, contact THK.



Models SRN35 to 65SLC

Unit: mm

LM rail dimensions					Basic load rating*		Static permissible moment kN·m*					Mass		
Width	Height	Pitch	Pitch	Length*	C	C <sub>0</sub>	M <sub>A</sub>		M <sub>B</sub>		M <sub>C</sub>	LM block	LM rail	
W <sub>1</sub> 0 -0.05	W <sub>2</sub>	M <sub>1</sub>					F	d <sub>1</sub> × d <sub>2</sub> × h	Max	kN	kN	1 block	Double blocks	1 block
34	33	30	40	9 × 14 × 12	3000	59.1 76 87.9	119 165 199	1.66 3.13 4.53	10.1 17 23.9	1.66 3.13 4.53	10.1 17 23.9	2.39 3.31 4.09	1.5 2.3 2.8	6.9
45	37.5	36	52.5	14 × 20 × 17	3090	91.9 115 139	192 256 328	3.49 6.13 9.99	20 32.2 50.0	3.49 6.13 9.99	20 32.2 50.0	4.98 6.64 8.91	3.1 4.1 5.4	11.3
53	43.5	43	60	16 × 23 × 20	3060	131 167 210	266 366 488	5.82 10.8 19.1	33 57 93.7	5.82 10.8 19.1	33 57 93.7	8.19 11.2 15.6	5.1 7.1 9.4	15.8
63	53.5	49	75	18 × 26 × 22	3000	219 278 352	441 599 811	12.5 22.7 41.3	72.8 120 202	12.5 22.7 41.3	72.8 120 202	16.8 22.1 30.9	10.4 13.9 18.5	21.3

Note1) The maximum length under "Length\*" indicates the standard maximum length of an LM rail. (See [A1-442](#).)

Static permissible moment\* 1 block: the static permissible moment with one LM block

Double blocks: static permissible moment when two LM blocks are in close contact with each other

For oil lubrication, be certain to let THK know the mounting orientation and where the LM block piping joint should be attached.

(Mounting orientation: see [A1-12](#), Lubricant: see [A24-2](#))

Total block length L

: The total block length L shown in the table is the length with the dust proof parts, code UU or SS.

If other contamination protection accessories or lubricant equipment are installed, the total block length will increase.

(See [A1-491](#) or [A1-512](#))

The removing/mounting jig is not provided as standard. Contact THK before use.

\*\* A pilot hole for side nipples, when a grease nipple for a model equipped with LaCS or QZ Lubricator is needed.

Pilot holes for side nipples are not drilled through for models other than those stated above.

For grease nipple mount machining, contact THK. (See [A1-444](#))

Note2) The basic dynamic load rating of the roller guide is a value based on a nominal life of 100 km.

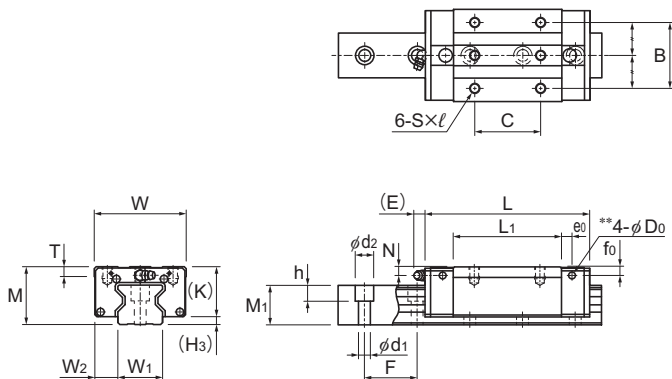
The conversion to basic dynamic load rating for a nominal life of 50 km can be obtained from the following equation.

$$C_{50} = C \times 1.23$$

C<sub>50</sub>: The basic dynamic load rating for a nominal load of 50 km

C: The basic dynamic load rating in the dimensional table

# Models SRN-R, SRN-LR and SRN-SLR



Models SRN35 to 65R/LR

Model No.	Outer dimensions			LM block dimensions													Grease nipple	H <sub>3</sub>
	Height	Width	Length	B	C	S × l	L <sub>1</sub>	T	K	N	E	e <sub>0</sub>	f <sub>0</sub>	D <sub>0</sub>				
	M	W	L															
SRN 35R SRN 35LR SRN 35SLR	44	70	125 155 180.8	50	72 72 100	M8 × 9	82.2 112.2 138	10.8	38	6.5	12	8	7	5.2	B-M6F	6		
SRN 45R SRN 45LR SRN 45SLR	52	86	155 190 231.5	60	80 80 120	M10 × 11	107 142 183.5	10.8	45	7	12	8.5	7.6	5.2	B-M6F	7		
SRN 55R SRN 55LR SRN 55SLR	63	100	185 235 292	75	95 95 150	M12 × 13	129 179.2 236.2	13.8	53	8	16	10	9.8	5.2	B-PT1/8	10		
SRN 65R SRN 65LR SRN 65SLR	75	126	244.9 303 380	76	70 120 200	M16 × 16	171.7 229.8 306.8	19.5	65	14	16	9	13	5.2	B-PT1/8	10		

## Model number coding

**SRN45 LR 2 QZ KK C0 +1200L P Z T - II**

Model number

Type of LM block

With QZ lubricator

Contamination protection accessory symbol (\*1)

LM rail length (in mm)

With plate cover

Symbol for No. of rails used on the same plane (\*4)

No. of LM blocks used on the same rail

Radial clearance symbol (\*2)  
Normal (No symbol)  
Light preload (C1)  
Medium preload (C0)

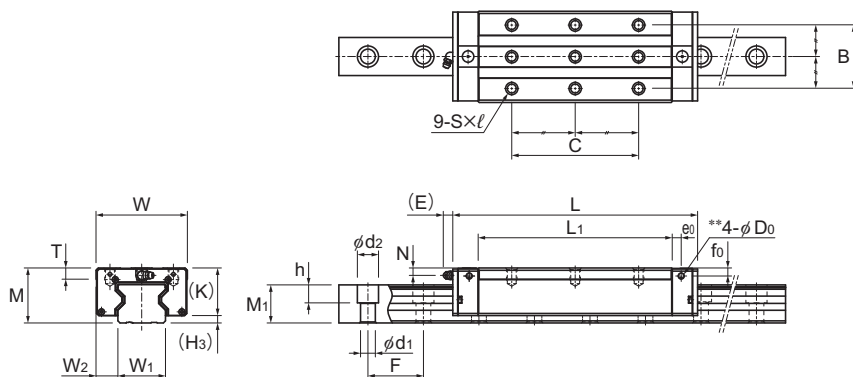
Symbol for LM rail jointed use

Accuracy symbol (\*3)  
Precision grade (P)/Super precision grade (SP)  
Ultra precision grade (UP)

(\*1) See contamination protection accessory on **A1-516**. (\*2) See **A1-73**. (\*3) See **A1-77**. (\*4) See **A1-13**.

Note) This model number indicates that a single-rail unit constitutes one set. (i.e., required number of sets when 2 rails are used in parallel is 2 at a minimum.)

Those models equipped with QZ Lubricator cannot have a grease nipple. When desiring a grease nipple for a model attached with QZ, contact THK.



Models SRN35 to 65SLR

Unit: mm

LM rail dimensions						Basic load rating*		Static permissible moment kN·m*					Mass	
Width W <sub>1</sub> 0 -0.05	W <sub>2</sub>	Height M <sub>1</sub>	Pitch F	d <sub>1</sub> × d <sub>2</sub> × h	Length* Max	C kN	C <sub>0</sub> kN	M <sub>a</sub>		M <sub>b</sub>		M <sub>c</sub>	LM block kg	LM rail kg/m
								1 block	Double blocks	1 block	Double blocks	1 block		
34	18	30	40	9 × 14 × 12	3000	59.1	119	1.66	10.1	1.66	10.1	2.39	1.1	6.9
						76	165	3.13	17	3.13	17	3.31	1.5	
						87.9	199	4.53	23.9	4.53	23.9	4.09	1.8	
45	20.5	36	52.5	14 × 20 × 17	3090	91.9	192	3.49	20	3.49	20	4.98	2	11.3
						115	256	6.13	32.2	6.13	32.2	6.64	2.6	
						139	328	9.99	50.0	9.99	50.0	8.91	3.4	
53	23.5	43	60	16 × 23 × 20	3060	131	266	5.82	33	5.82	33	8.19	3.3	15.8
						167	366	10.8	57	10.8	57	11.2	4.6	
						210	488	19.1	93.7	19.1	93.7	15.6	5	
63	31.5	49	75	18 × 26 × 22	3000	219	441	12.5	72.8	12.5	72.8	16.8	7.1	21.3
						278	599	22.7	120	22.7	120	22.1	9.4	
						352	811	41.3	202	41.3	202	30.9	12.6	

Note1) The maximum length under "Length\*" indicates the standard maximum length of an LM rail. (See [A1-442](#).)

Static permissible moment\* 1 block: the static permissible moment with one LM block

Double blocks: static permissible moment when two LM blocks are in close contact with each other

For oil lubrication, be certain to let THK know the mounting orientation and where the LM block piping joint should be attached.

(Mounting orientation: see [A1-12](#), Lubricant: see [A24-2](#))

Total block length L

: The total block length L shown in the table is the length with the dust proof parts, code UU or SS.

If other contamination protection accessories or lubricant equipment are installed, the total block length will increase.

(See [A1-491](#) or [A1-512](#))

The removing/mounting jig is not provided as standard. Contact THK before use.

\*\* A pilot hole for side nipples, when a grease nipple for a model equipped with LaCS or QZ Lubricator is needed.

Pilot holes for side nipples are not drilled through for models other than those stated above.

For grease nipple mount machining, contact THK. (See [A1-444](#))

Note2) The basic dynamic load rating of the roller guide is a value based on a nominal life of 100 km.

The conversion to basic dynamic load rating for a nominal life of 50 km can be obtained from the following equation.

$$C_{50} = C \times 1.23$$

C<sub>50</sub>: The basic dynamic load rating for a nominal load of 50 km

C: The basic dynamic load rating in the dimensional table

## Standard Length and Maximum Length of the LM Rail

Table4 shows the standard lengths and the maximum lengths of model SRN variations. If the maximum length of the desired LM rail exceeds them, jointed rails will be used. Contact THK for details. For special rail lengths, it is recommended to use a value corresponding to the G,g dimension from the table. As the G,g dimension increases, this portion becomes less stable, and the accuracy performance is severely impacted.

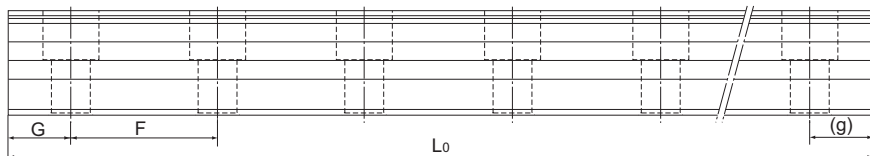


Table4 Standard Length and Maximum Length of the LM Rail for Model SRN

Unit: mm

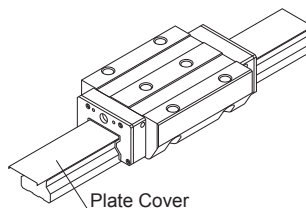
Model No.	SRN 35	SRN 45	SRN 55	SRN 65
LM rail standard length ( $L_0$ )	280	570	780	1270
	360	675	900	1570
	440	780	1020	2020
	520	885	1140	2620
	600	990	1260	
	680	1095	1380	
	760	1200	1500	
	840	1305	1620	
	920	1410	1740	
	1000	1515	1860	
	1080	1620	1980	
	1160	1725	2100	
	1240	1830	2220	
	1320	1935	2340	
	1400	2040	2460	
	1480	2145	2580	
	1560	2250	2700	
	1640	2355	2820	
	1720	2460	2940	
	1800	2565	3060	
1880	2670			
1960	2775			
2040	2880			
2200	2985			
2360	3090			
2520				
2680				
2840				
3000				
Standard pitch F	40	52.5	60	75
G,g	20	22.5	30	35
Max length	3000	3090	3060	3000

Note1) The maximum length varies with accuracy grades. Contact THK for details.

Note2) If jointed rails are not allowed and a greater length than the maximum values above is required, contact THK.

## Plate Cover

By covering the LM rail's mounting holes with ultra-thin stainless steel (SUS304) plates, the sealability of the end seals increase drastically, helping prevent foreign materials and liquid from entering from the top of the LM rail. Contact THK for further details regarding mounting.



Note 1) The Model SRN with plate cover is not a standard specification. (Please note it is not possible to add just the plate cover afterwards.)

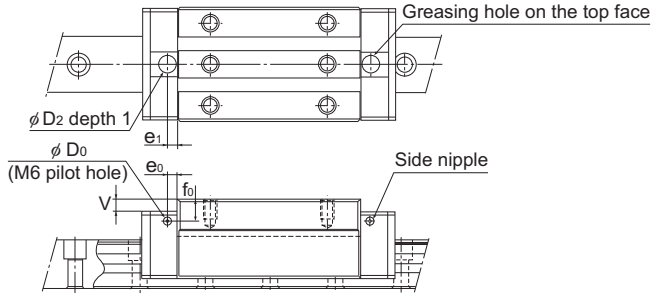
Note 2) The LM block must be removed from the LM rail when mounting. When doing this, a removing/mounting jig (see **A1-541**) is required. Please contact THK for details.

Note 3) Plate covers are available for models SRN 35 to 65.

## Greasing Hole

### [Greasing Hole for Model SRN]

Model SRN allows lubrication from both the side and top faces of the LM block. The greasing hole of standard types is not drilled through in order to prevent foreign material from entering the LM block. When using the greasing hole, contact THK.



Unit: mm

Model No.	Pilot hole for side nipple			Applicable nipple	Greasing hole on the top face				
	$e_0$	$f_0$	$D_0$		$D_2$	(O-ring)	$V$	$e_1$	
SRN	35C 35LC 35SLC	8	7.0	5.2	M6F	10.2	(P7)	0.4	6
	35R 35LR 35SLR	8	7.0	5.2	M6F	10.2	(P7)	0.4	6
	45C 45LC 45SLC	8.5	7.6	5.2	M6F	10.2	(P7)	0.4	7
	45R 45LR 45SLR	8.5	7.6	5.2	M6F	10.2	(P7)	0.4	7
	55C 55LC 55SLC	10	9.8	5.2	M6F	10.2	(P7)	0.4	11
	55R 55LR 55SLR	10	9.8	5.2	M6F	10.2	(P7)	0.4	11
	65C 65LC 65SLC	9	13	5.2	M6F	10.2	(P7)	0.4	10
	65R 65LR 65SLR	9	13	5.2	M6F	10.2	(P7)	0.4	10

Note1) The greasing interval is longer than that of full-roller types because of the roller cage effect. However, the actual greasing interval may vary depending on the service environment, such as a high load and high speed. Contact THK for details.

Note2) Upper surface lubrication is for oil lubrication only. Contact THK if you are considering using the greasing hole on the top face for grease lubrication.

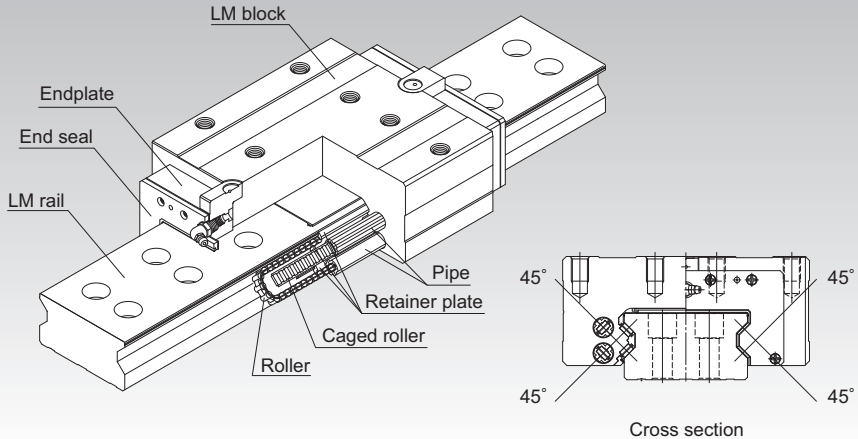




# SRW



## Caged Roller LM Guide Ultra-high Rigidity Type (Wide) Model SRW



\*For the caged roller, see **A1-408**.

**Point of Selection** **A1-10**

**Point of Design** **A1-454**

**Options** **A1-477**

**Model No.** **A1-543**

**Precautions on Use** **A1-549**

**Accessories for Lubrication** **A24-1**

**Mounting Procedure and Maintenance** **B1-89**

Equivalent moment factor **A1-43**

Rated Loads in All Directions **A1-59**

Equivalent factor in each direction **A1-61**

Radial Clearance **A1-73**

Accuracy Standards **A1-85**

Shoulder Height of the Mounting Base and the Corner Radius **A1-466**

Permissible Error of the Mounting Surface **A1-449**

Dimensions of Each Model with an Option Attached **A1-491**

## Structure and Features

Based on Caged Roller LM Guide model SRG, this model has a wider rail and two rows of LM rail mounting holes to achieve high mounting strength and mounting stability. SRW is an ultra-high rigidity Roller Guide that uses roller cages to allow low-friction, smooth motion and achieve long-term maintenance-free operation.

### [Ultra-high Rigidity]

Since it has a wide rail and can be secured on the table using two rows of mounting bolts, the mounting strength is significantly increased. In addition, since the crosswise raceway distance ( $L$ ) is large, model SRW is structurally strong against a moment load ( $M_c$  moment) in the rolling direction. Furthermore, model SRW uses rollers that show little elastic deformation as its rolling elements, and the overall length of each roller is 1.5 times greater than the diameter, thus to increase the rigidity.

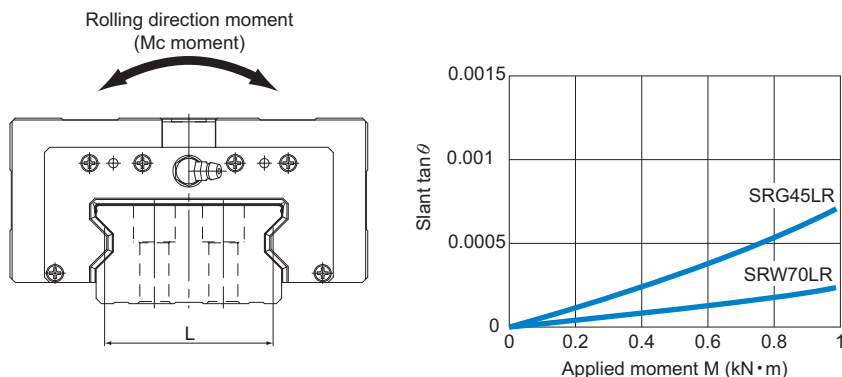


Fig.1 Result of Comparison between Models SRW and SRG in Moment Rigidity in the Rolling Direction ( $M_c$  Moment)

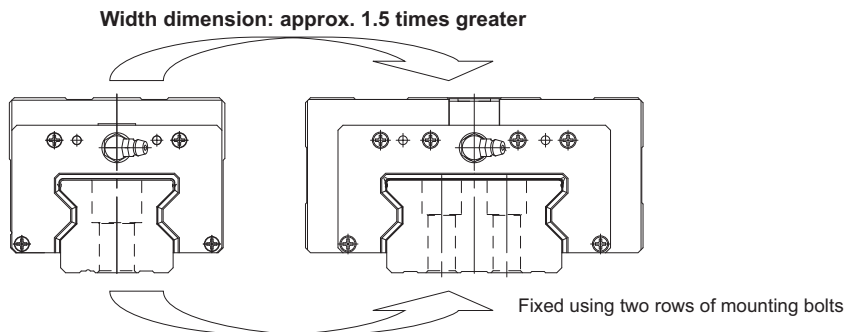


Fig.2 Comparison between Models SRW and SRG in Cross Section

### [Smoothness Achieved through Skewing Prevention]

The roller cage allows rollers to form an evenly spaced line while circulating, thus preventing the rollers from skewing as the block enters an loaded area. As a result, fluctuation of the rolling resistance is minimized, and stable, smooth motion is achieved.

### [Long-term Maintenance-free Operation]

Use of the roller cage eliminates friction between rollers and enables the lubricant to be retained in grease pockets formed between adjacent rollers. As the rollers circulate, the grease pocket serves to provide the required amount of lubricant to the contact curvature of the spacer and the roller, thus to achieve long-term maintenance-free operation.

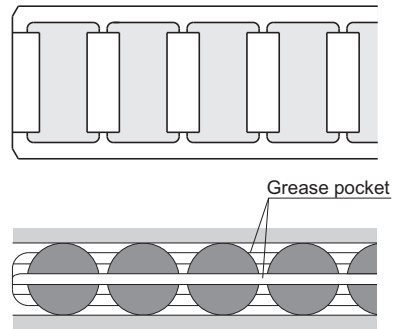


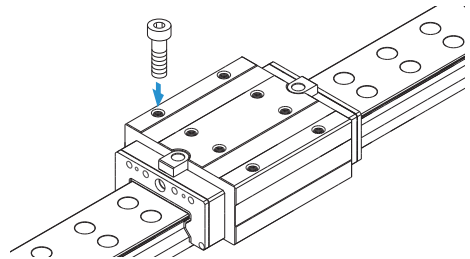
Fig.3

## Types and Features

### Model SRW-LR

The LM block has tapped holes.

Specification Table⇒ **A1-450**



## Permissible Error of the Mounting Surface

The Caged Roller LM Guide Model SRW features high rigidity since the raceway is made up of rollers, preventing roller skew due to the roller cage. However, high machining accuracy is required in the mounting surface. If the error on the mounting surface is large, it will affect the rolling resistance and the service life. The following shows the maximum permissible value (limit value) according to the radial clearance.

Table1 Error in Parallelism (P) between Two Rails

Unit: mm

Radial clearance	Normal	C1	C0
Model No.			
SRW 70	0.013	0.009	0.007
SRW 85	0.016	0.011	0.008
SRW 100	0.020	0.014	0.011
SRW 130	0.026	0.018	0.014
SRW 150	0.030	0.021	0.016

Table2 Error in Level (X) between Two Rails

Unit: mm

Radial clearance	Normal	C1	C0
Accuracy of the mounting surface X	0.00020a	0.00014a	0.000072a

$$X = X_1 + X_2$$

$X_1$ : Level difference on the rail mounting surface

$X_2$ : Level difference on the block mounting surface

### Example of calculation

When the rail span :

$$a = 500\text{mm}$$

Accuracy of the mounting surface

$$X = 0.0002 \times 500$$

$$= 0.1$$

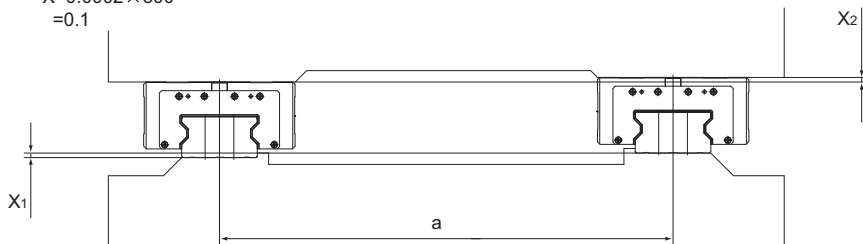


Fig.5

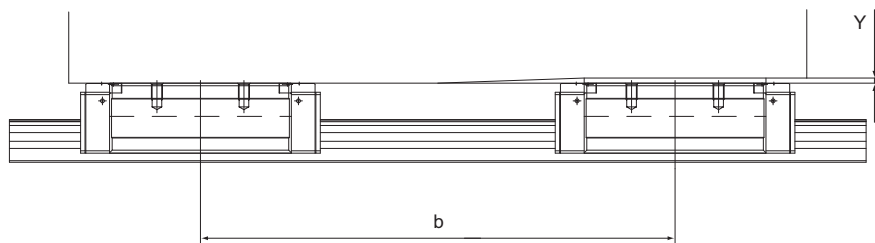


Fig.6

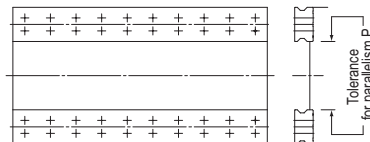


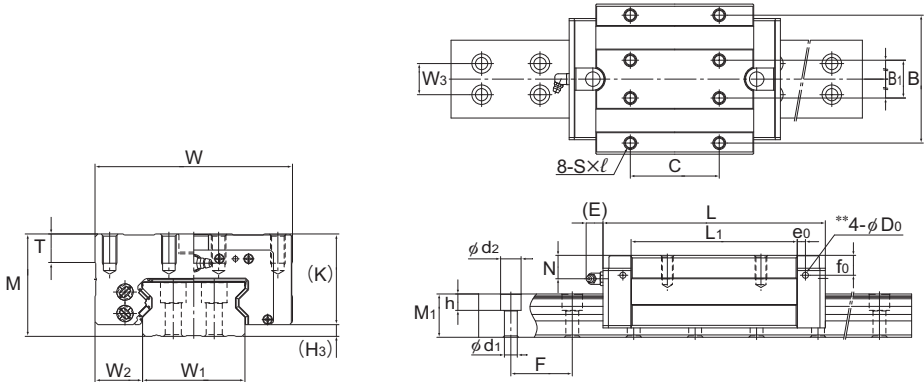
Fig.4

Table3 Error in Level (Y) in the Axial Direction

Unit: mm

Accuracy of the mounting surface	0.000036b
----------------------------------	-----------

# Model SRW-LR



Models SRW70 to 100LR

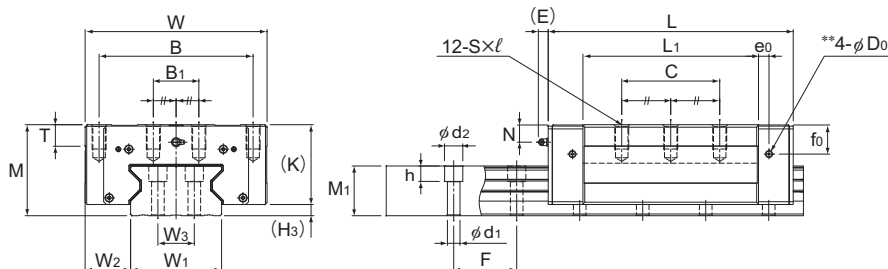
Model No.	Outer dimensions			LM block dimensions													Grease nipple	H <sub>3</sub>
	Height	Width	Length	B	B <sub>1</sub>	C	S × l	L <sub>1</sub>	T	K	N	E	e <sub>0</sub>	f <sub>0</sub>	D <sub>0</sub>			
	M	W	L	B	B <sub>1</sub>	C	S × l	L <sub>1</sub>	T	K	N	E	e <sub>0</sub>	f <sub>0</sub>	D <sub>0</sub>			
SRW 70LR	70	135	190	115	34	80	M10×20	142	20	62	20	16	7	19	5.2	B-PT1/8	8	
SRW 85LR	80	165	235	140	40	95	M12×19	179.2	28	70	22	16	9	19.5	5.2	B-PT1/8	10	
SRW 100LR	100	200	303	172	50	110	M14×20	229.8	20	88.5	27	16	9	26	5.2	B-PT1/8	11.5	
SRW 130LR	130	260	350	220	65	140	M20×35	250.8	30	114	25	16	15	42	8.2	B-PT1/8	16	
SRW 150LR	150	300	395	260	75	200	M20×40	280.2	35	134	28.8	16	15	53	8.2	B-PT1/4	16	

## Model number coding

<b>SRW70LR</b>	<b>2</b>	<b>QZ</b>	<b>KKHH</b>	<b>C0</b>	<b>+1200L</b>	<b>P</b>	<b>Z</b>	<b>T</b>	<b>-II</b>
Model number	No. of LM blocks used on the same rail	With QZ Lubricator	Contamination protection accessory symbol (*1)	Radial clearance symbol (*2) Normal (No symbol) Light preload (C1) Medium preload (C0)	LM rail length (in mm)	Accuracy symbol (*3) Precision grade (P)/Super precision grade (SP) Ultra precision grade (UP)	With plate cover	Symbol for LM rail jointed use	Symbol for No. of rails used on the same plane (*4)

(\*1) See contamination protection accessory on **A1-516**. (\*2) See **A1-73**. (\*3) See **A1-85**. (\*4) See **A1-13**.

Note) Those models equipped with QZ Lubricator cannot have a grease nipple. When desiring a grease nipple for a model attached with QZ, contact THK.



Models SRW130 and 150LR

Unit: mm

LM rail dimensions							Basic load rating*		Static permissible moment kN·m*					Mass	
Width W <sub>0</sub> -0.05	W <sub>2</sub>	W <sub>3</sub>	Height M <sub>1</sub>	Pitch F	Length* d <sub>1</sub> × d <sub>2</sub> × h Max	C kN	C <sub>0</sub> kN	M <sub>A</sub>		M <sub>B</sub>		M <sub>C</sub>	LM block kg	LM rail kg/m	
								1 block	Double blocks	1 block	Double blocks	1 block			
70	32.5	28	37	52.5	11×17.5×14	3090	115	256	6.13	32.2	6.13	32.2	10.2	6.3	18.6
85	40	32	43	60	14×20×17	3060	167	366	10.8	57	10.8	57	17.5	11.0	26.7
100	50	38	54	75	16×23×20	3000	278	599	22.7	120	22.7	120	33.9	21.6	35.9
130	65	52	71	90	18×26×22	3000	497	990	45.3	239	45.3	239	74.2	41.7	61.0
150	75	60	77	105	24×35×28	3000	601	1170	60	319	60	319	101.6	65.1	74.4

Note1) The maximum length under "Length\*" indicates the standard maximum length of an LM rail. (See **A1-452**)

Static permissible moment\* 1 block: the static permissible moment with one LM block

Double blocks: static permissible moment when two LM blocks are in close contact with each other

For oil lubrication, be certain to let THK know the mounting orientation and where the LM block piping joint should be attached.

(Mounting orientation: see **A1-12**, Lubricant: see **A24-2**)

Total block length L : The total block length L shown in the table is the length with the dust proof parts, code UU or SS. If other contamination protection accessories or lubricant equipment are installed, the total block length will increase.

(See **A1-491** or **A1-512**)

The removing/mounting jig is not provided as standard. Contact THK before use.

\*\* A pilot hole for side nipples, when a grease nipple for a model equipped with LaCS or QZ Lubricator is needed.

Pilot holes for side nipples are not drilled through for models other than those stated above.

For grease nipple mount machining, contact THK. (See **A1-453**)

Note2) The basic dynamic load rating of the roller guide is a value based on a nominal life of 100 km.

The conversion to basic dynamic load rating for a nominal life of 50 km can be obtained from the following equation.

$$C_{50} = C \times 1.23$$

C<sub>50</sub> : The basic dynamic load rating for a nominal load of 50 km

C : The basic dynamic load rating in the dimensional table

## Standard Length and Maximum Length of the LM Rail

Table4 shows the standard lengths and the maximum lengths of model SRW variations. If the maximum length of the desired LM rail exceeds them, jointed rails will be used.

For special rail lengths, it is recommended to use a value corresponding to the G,g dimension from the table. As the G,g dimension increases, this portion becomes less stable, and the accuracy performance is severely impacted.

If desiring jointed use of this model, be sure to indicate the overall length so that we can manufacture the product without leaving a level difference in the joint.

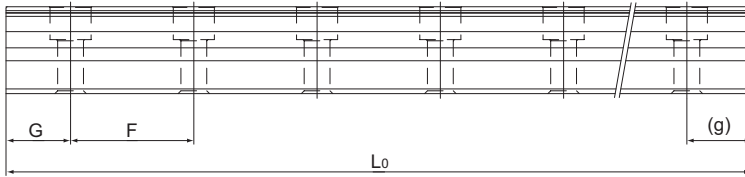


Table4 Standard Length and Maximum Length of the LM Rail for Model SRW

Unit: mm

Model No.	SRW 70	SRW 85	SRW 100	SRW 130	SRW 150
LM rail standard length ( $L_0$ )	570	780	1270	1530	1340
	675	900	1570	1890	1760
	780	1020	2020	2250	2180
	885	1140	2620	2610	2600
	990	1260			
	1095	1380			
	1200	1500			
	1305	1620			
	1410	1740			
	1515	1860			
	1620	1980			
	1725	2100			
	1830	2220			
	1935	2340			
	2040	2460			
	2145	2580			
	2250	2700			
	2355	2820			
	2460	2940			
	2565	3060			
2670					
2775					
2880					
2985					
Standard pitch F	52.5	60	75	90	105
G,g	22.5	30	35	45	40
Max length	3090	3060	3000	3000	3000

Note1) The maximum length varies with accuracy grades. Contact THK for details.

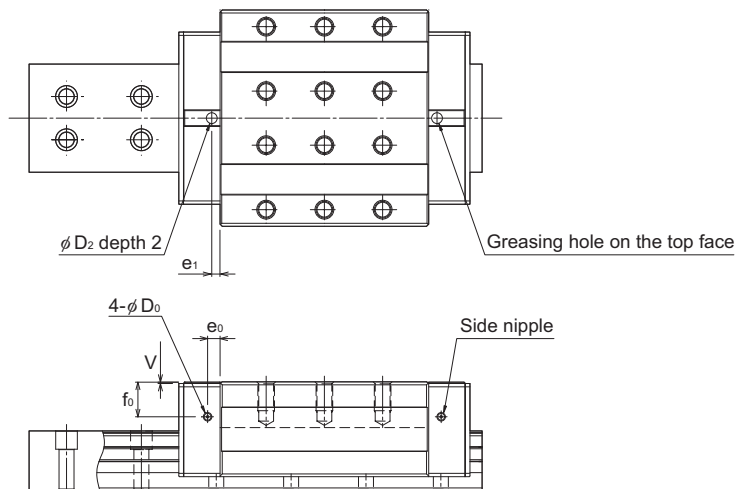
Note2) If jointed rails are not allowed and a greater length than the maximum values above is required, contact THK.



## Greasing Hole

### [Greasing Hole for Model SRW]

Model SRW allows lubrication from both the side and top faces of the LM block. The greasing hole of standard types is not drilled through in order to prevent foreign material from entering the LM block. When using the greasing hole, contact THK.



Unit: mm

Model No.	Pilot hole for side nipple			Applicable nipple	Greasing hole on the top face				
	$e_0$	$f_0$	$D_0$		$D_2$	(O-ring)	$V$	$e_1$	
SRW	70	7	17	5.2	M6F	13	(P10)	0.4	2.7
	85	9	18.5	5.2	M6F	13	(P10)	0.4	9.9
	100	9	23.5	5.2	M6F	13	(P10)	0.4	10.1
	130	15	42	8.2	PT1/8	13	(P10)	0.4	10
	150	15	53	8.2	PT1/8	13	(P10)	0.4	10

Note1) The greasing interval is longer than that of full-roller types because of the roller cage effect. However, the actual greasing interval may vary depending on the service environment, such as a high load and high speed. Contact THK for details.

Note2) Upper surface lubrication is for oil lubrication only. Contact THK if you are considering using the greasing hole on the top face for grease lubrication.

## Designing the Guide System

THK offers various types of LM Guides in order to meet diversified conditions. Supporting ordinary horizontal mount, vertical mount, inverted mount, slant mount, wall mount and single-axis mount, the wide array of LM Guide types makes it easy to achieve a linear guide system with a long service life and high rigidity while minimizing the required space for installation.

It is necessary to consider the position in the LM block where the grease nipple or the piping joint should be attached according to the mounting orientation.

If the mounting orientation is other than horizontal use, the lubricant may not reach the raceway completely. Be sure to let THK know the mounting orientation and the exact position in each LM block where the grease nipple or the piping joint should be attached.

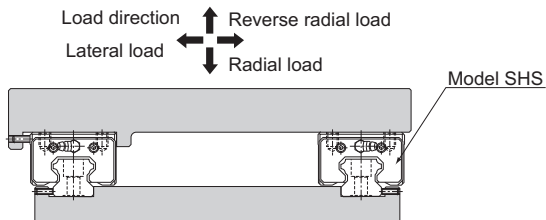
Even with an LM Guide with seals, the internal lubricant gradually seeps out during operation. Therefore, the system needs to be lubricated at an appropriate interval according to the conditions.

For the mounting orientation and the lubrication, see **A1-12** and **A24-2**, respectively.

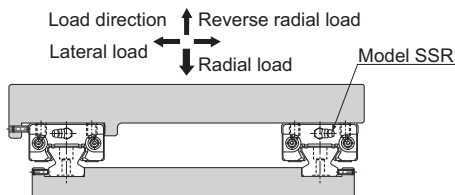
## Examples of Arrangements of the Guide System

The following are representative guide systems and arrangements when installing the LM Guide.  
(For indication of the reference surface, see **A1-475**.)

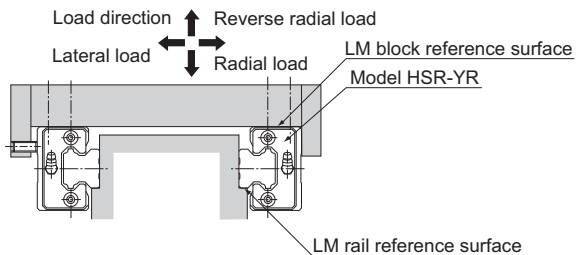
Double-rail configuration when high rigidity is required in all directions



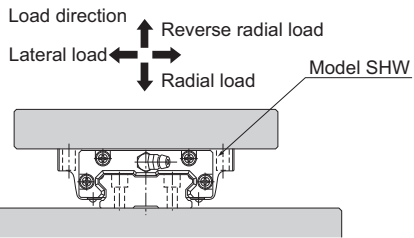
Double-rail configuration when high rigidity is required in the radial direction



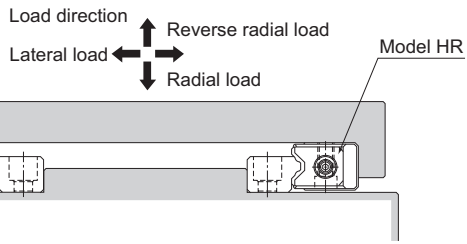
When high rigidity is required in all directions and the installation space is limited in height



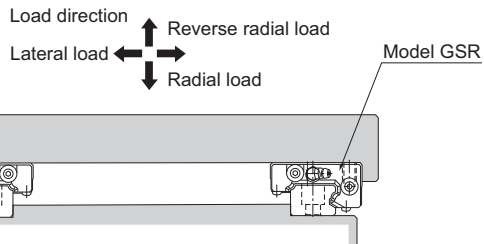
## Single-rail configuration



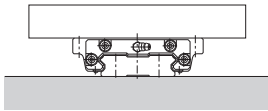
When the minimum possible height of the equipment is allowed (Adjustable preload type)



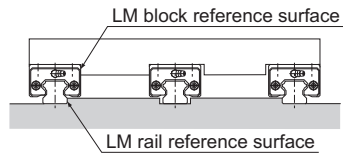
When a medium load is applied and the mounting surface is rough (Preload, self-adjusting type)



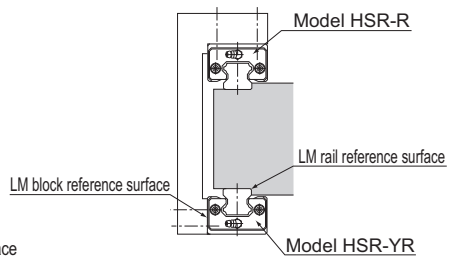
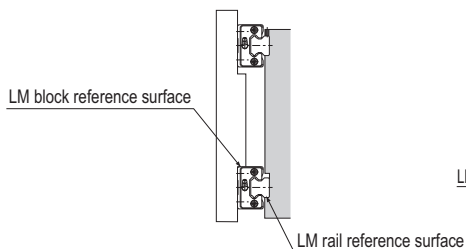
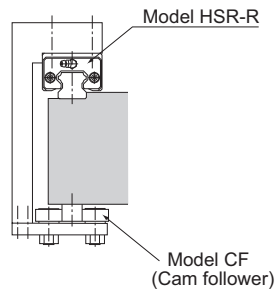
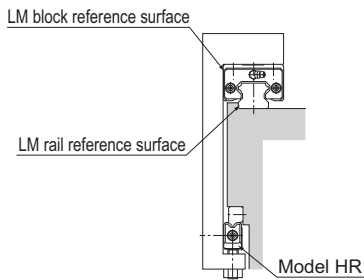
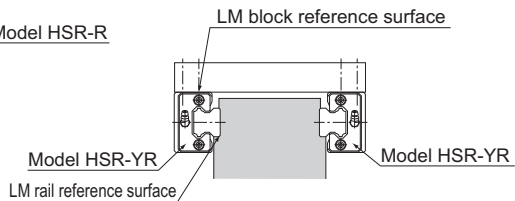
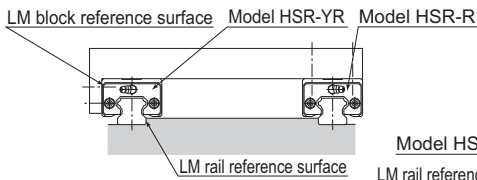
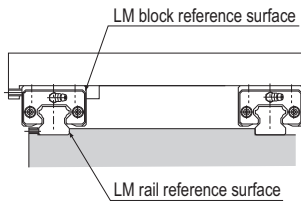
Single-rail configuration



Triple-rail configuration

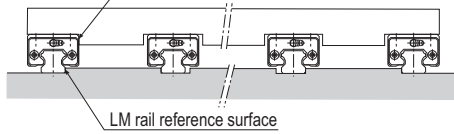


Double-rail configuration

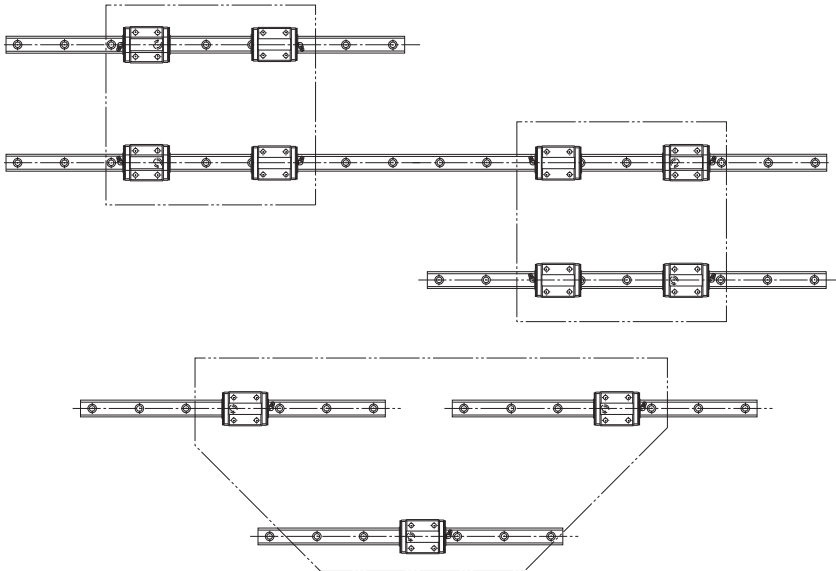
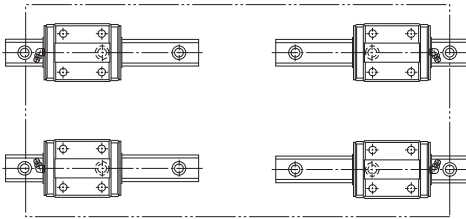
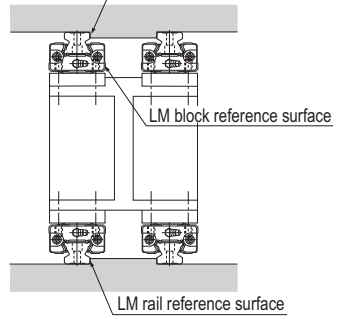


## Multi-rail configuration

LM block reference surface



LM rail reference surface



## Method for Securing an LM Guide to Meet the Conditions

LM Guides are categorized into groups of types by mounting space and structure: a group of types to be mounted with bolts from the top, and another of types to be mounted from the bottom. LM rails are also divided into types secured with bolts and those secured with clamps (model JR). This wide array of types allows you to make a choice according to the application.

There are several ways of mounting the LM Guide as shown in Table1. When the machine is subject to vibrations that may cause the LM rail(s) or LM blocks to loosen, we recommend the securing method indicated by Fig.1 on **A1-460**. (If 2 or more rails are used in parallel, only the LM block on the master rail should be secured in the crosswise direction.) If this method is not applicable for a structural reason, hammer in knock pins to secure the LM block(s) as shown in Table2 on **A1-460** When using knock pins, machine the top/bottom surfaces of the LM rail by 2 to 3 mm using a carbide end mill before drilling the holes since the surfaces are hardened.

Table1 Major Securing Methods on the Master-rail Side

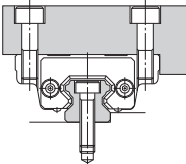
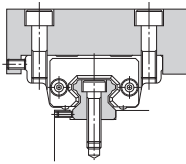
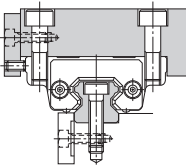
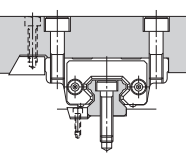
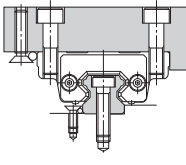
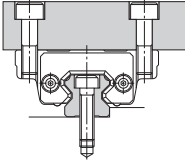
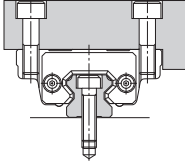
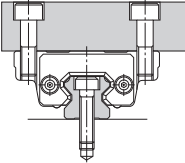
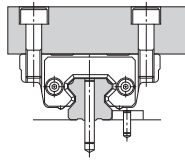
(a) Secured only with side reference surfaces	(b) Secured with set screws
	
(c) Secured with a presser plate	(d) Secured with tapered gibs
	
(e) Secured with pins	
	

Table2 Major Securing Methods on the Subsidiary-rail Side

(a) Secured only with the side reference surface of the rail	(b) Secured only with the side reference surface of the block
	
(c) Secured without a side reference surface	(d) Secured with dowel pins
	

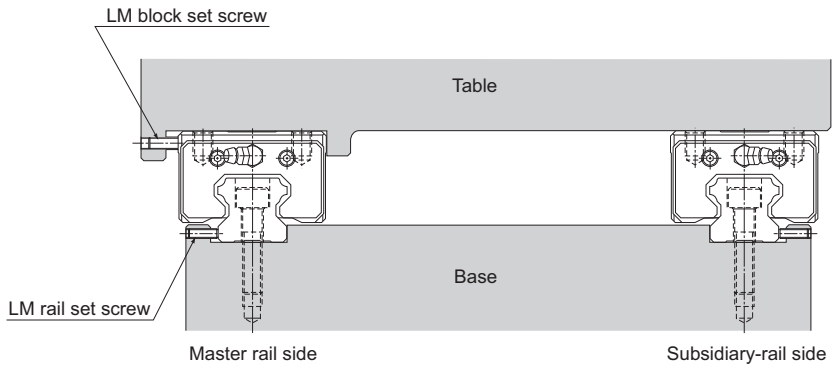


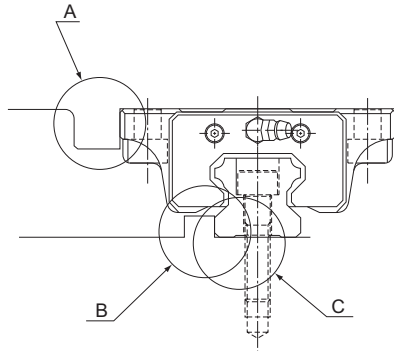
Fig.1 When the Machine Receives Vibrations or Impact



# Designing a Mounting Surface

## Designing a Mounting Surface

If particularly high accuracy is required for the machine to which an LM Guide is to be mounted, it is necessary to mount the LM rail with high accuracy. To achieve the desired accuracy, be sure to design the mounting surface while taking the following points into account.



### [Corner Shape]

If the corner on the surface on which the LM rail or LM block is to be mounted is machined to be shaped R, which is greater than the chamfer dimension of the LM rail or LM block, then the rail or the block may not closely contact its reference surface. Therefore, when designing a mounting surface, it is important to carefully read the description on the "corner shape" of the subject model. (Fig.2)

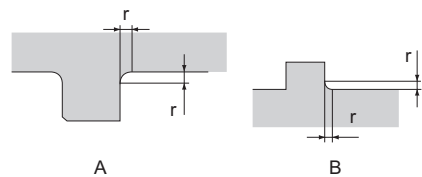


Fig.2

### [Perpendicularity with the Reference Surface]

If the perpendicularity between the base mounting surface for the LM rail or the LM block and the reference surface is not accurate, the rail or the block may not closely contact the reference surface. Therefore, it is important to take into account an error of the perpendicularity between the mounting surface and the reference surface. (Fig.3)

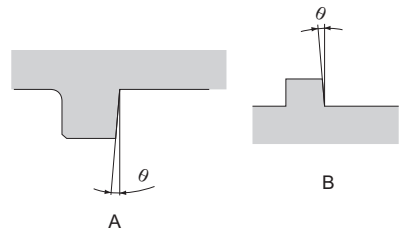


Fig.3

### [Dimensions of the Reference Surface]

When designing the reference surface, be sure to take into account the height and the thickness of the datum area. If the datum area is too high, it may interfere with the LM block. If it is too low, the LM rail or the LM block may not closely contact the reference surface depending on the chamfer of the rail or the block. Additionally, if the datum area is too thin, the desired accuracy may not be obtained due to poor rigidity of the datum area when a lateral load is applied or when performing positioning using a lateral mounting bolt. (Fig.4)

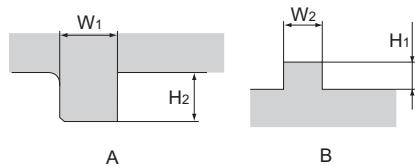


Fig.4

### [Dimensional Tolerance between the Reference Surface and the Mounting Hole]

If the dimensional tolerance between the reference surface of the LM rail or the LM block and the mounting hole is too large, the rail or the block may not closely contact the reference surface when mounted on the base.

Normally, the tolerance should be within  $\pm 0.1$  mm depending on the model. (Fig.5)

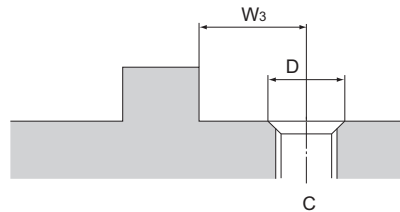


Fig.5

### [Chamfer of the Tapped Mounting Hole]

To mount the LM rail, the mounting surface needs to be tapped and the tapped hole has to be chamfered. If the chamfer of the tapped hole is too large or too small, it may affect the accuracy. (Fig.6)

Guidelines for the chamfer dimension:

Chamfer diameter  $D$  = nominal diameter of the bolt + pitch

Example: Chamfer diameter  $D$  with M6 (pitch):

$$D = 6 + 1 = 7$$

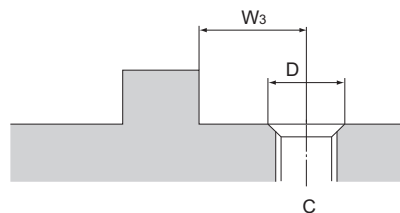
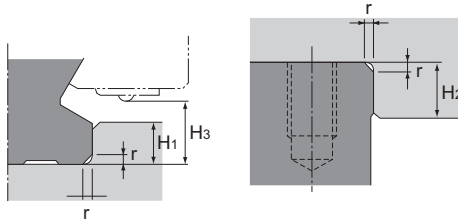


Fig.6

## Shoulder Height of the Mounting Base and the Corner Radius

Normally, the mounting base for the LM rail and the LM block has a reference-surface on the side face of the shoulder of the base in order to allow easy installation and highly accurate positioning. The height of the datum shoulder varies with model numbers. See **A1-463** to **A1-469** for details.

The corner of the mounting shoulder must be machined to have a recess, or machined to be smaller than the corner radius "r," to prevent interference with the chamfer of the LM rail or the LM block. The corner radius varies with model numbers. See **A1-463** to **A1-469** for details.



Shoulder for the LM Rail

Shoulder for the LM Block (LM casing)

Fig.7

### [Models SR, SR-M1]

Unit: mm

Model No.	Corner radius r(max)	Shoulder height for the LM rail	Maximum shoulder height for the LM block	
		H <sub>1</sub>	H <sub>2</sub>	H <sub>3</sub>
15	0.5	3.8	4	5.8
20	0.5	5	5	6
25	1	5.5	5	7
30	1	8	6	9.5
35	1	9	6	11.5
45	1	10	8	12.5
55	1.5	11	8	13.5
70	1.5	12	10	15
85	1.2	8	12	18.5
100	1.2	10	15	19
120	1.2	12	20	15
150	1.2	12	20	22

### [Model JR]

Unit: mm

Model No.	Corner radius r(max)	Shoulder height for the LM block H <sub>2</sub>
25	1	5
35	1	6
45	1	8
55	1.5	10

### [Model CSR]

Unit: mm

Model No.	Corner radius r(max)	Shoulder height for the LM rail H <sub>1</sub>	H <sub>3</sub>
15	0.5	3	3.5
20	0.5	3.5	4
25	1	5	5.5
30	1	5	7
35	1	6	7.5
45	1	8	10

### [Model SR-MS]

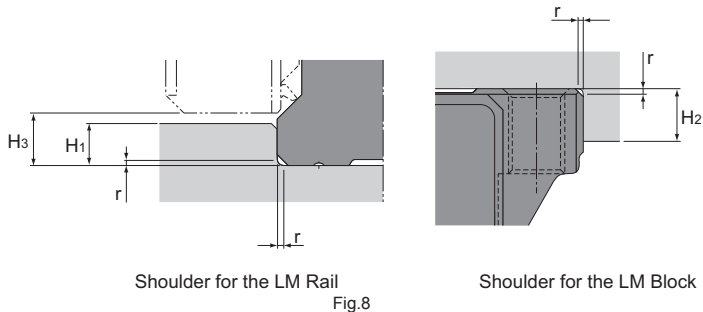
Unit: mm

Model No.	Corner radius r(max)	Shoulder height for the LM rail H <sub>1</sub>	Shoulder height for the LM block H <sub>2</sub>	H <sub>3</sub>
15	0.5	3.8	4	4.5
20	0.5	5	5	6

### [Model NSR-TBC]

Unit: mm

Model No.	Corner radius r(max)	Shoulder height for the LM rail H <sub>1</sub>	Shoulder height for the LM block H <sub>2</sub>	H <sub>3</sub>
20	1	5	5	5.5
25	1	6	6	6.5
30	1	7	6	9
40	1	7	8	10.5
50	1	7	8	8
70	1	7	10	9.5



Shoulder for the LM Rail

Shoulder for the LM Block

Fig.8

**[Model SHS]**

Unit: mm

Model No.	Corner radius r(max)	Shoulder height for the LM rail		Shoulder height for the LM block H <sub>2</sub>	H <sub>3</sub>
		H <sub>1</sub>	H <sub>2</sub>		
15	0.5	2.5	4		3
20	0.5	3.5	5		4.6
25	1	5	5		5.8
30	1	5	5		7
35	1	6	6		7.5
45	1	7.5	8		8.9
55	1.5	10	10		12.7
65	1.5	15	10		19

**[Model SCR]**

Unit: mm

Model No.	Corner radius r(max)	Shoulder height for the LM rail		H <sub>3</sub>
		H <sub>1</sub>	H <sub>3</sub>	
15	0.5	2.5		3
20	0.5	3.5		4.6
25	1	5		5.8
30	1	5		7
35	1	6		7.5
45	1	7.5		8.9
65	1.5	15		19

**[Models SVR/SVS and NR/NRS-X]**

Unit: mm

Model No.	Corner radius r(max)	Shoulder height for the LM rail		Shoulder height for the LM block H <sub>2</sub>	H <sub>3</sub>
		H <sub>1</sub>	H <sub>2</sub>		
25	0.5	4	5		5.5
30	1	5	5		7
35	1	6	6		9
45	1	8	8		11.6
55	1.5	10	10		14
65	1.5	10	10		15

**[Models NR/NRS]**

Unit: mm

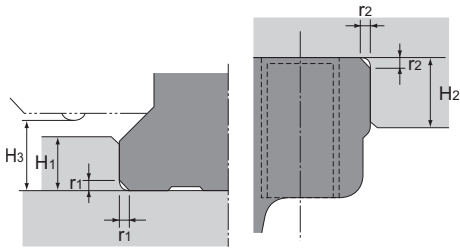
Model No.	Corner radius r(max)	Shoulder height for the LM rail		Shoulder height for the LM block H <sub>2</sub>	H <sub>3</sub>
		H <sub>1</sub>	H <sub>2</sub>		
75	1.5	12	12		15
85	1.5	14	14		17
100	2	16	16		20

**[Model MX]**

Unit: mm

Model No.	Corner radius for the LM rail r(max)	Shoulder height for the LM rail	
		H <sub>1</sub>	H <sub>3</sub>
5	0.1	1.2	1.5
7W	0.1	1.7	2

Note) If the optional side scraper or protector is attached, dimensions H<sub>1</sub> and H<sub>3</sub> differ from that without the options. For the dimensions after they are attached, see **■1-486** to **■1-487**.



Shoulder for the LM Rail      Shoulder for the LM Block  
Fig.9

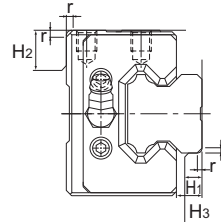


Fig.10

**[Models HSR, HSR-M1 and HSR-M2]** Unit: mm

Model No.	Corner radius for the LM rail $r_1(\max)$	Corner radius for the LM block $r_2(\max)$	Shoulder height for the LM rail $H_1$	Shoulder height for the LM block $H_2$	$H_3$
8	0.3	0.5	1.6	6	2.1
10	0.3	0.5	1.7	5	2.2
12	0.8	0.5	2.6	4	3.1
15	0.5	0.5	3	4	4.7
20	0.5	0.5	3.5	5	4
25	1	1	5	5	5.5
30	1	1	5	5	7
35	1	1	6	6	7.5
45	1	1	8	8	10
55	1.5	1.5	10	10	13
65	1.5	1.5	10	10	14
85	1.5	1.5	12	14	16
100	2	2	16	16	20
120	2.5	2.5	17	18	20
150	2.5	2.5	20	20	22

**[Model HCR]** Unit: mm

Model No.	Corner radius for the LM rail $r_1(\max)$	Corner radius for the LM block $r_2(\max)$	Shoulder height for the LM rail $H_1$	Maximum shoulder height for the LM block $H_2$	$H_3$
12	0.8	0.5	2.6	6	3.1
15	0.5	0.5	3	4	4.8
25	1	1	5	5	7
35	1	1	6	6	8.5
45	1	1	8	8	11.5
65	1.5	1.5	10	10	15

**[Model HMG]** Unit: mm

Model No.	Corner radius for the LM rail $r_1(\max)$	Corner radius for the LM block $r_2(\max)$	Shoulder height for the LM rail $H_1$	Maximum shoulder height for the LM block $H_2$	$H_3$
15	0.5	0.5	3	4	3.5
25	1	1	5	5	5.5
35	1	1	6	6	7.5
45	1	1	8	8	11
65	1.5	1.5	10	10	16

**[Model EPF]** Unit: mm

Model No.	Corner radius for the LM rail $r_1(\max)$	Corner radius for the LM block $r_2(\max)$	Shoulder height for the LM rail $H_1$	Maximum shoulder height for the LM block $H_2$	$H_3$
7M	0.2	0.4	1	3	1.5
9M	0.2	0.6	1	5	1.5
12M	0.5	0.6	1.5	6	2
15M	0.5	0.8	2.5	6.8	3

**[Model HSR-YR]** Unit: mm

Model No.	Corner radius $r(\max)$	Shoulder height for the LM rail $H_1$	Shoulder height for the LM block $H_2$	$H_3$
15	0.5	3	4	3.5
20	0.5	3.5	5	4
25	1	5	5	5.5
30	1	5	5	7
35	1	6	6	7.5
45	1	8	8	10
55	1.5	10	10	13
65	1.5	10	10	14

**[Model HSR-M1VV]** Unit: mm

Model No.	Corner radius for the LM rail $r_1(\max)$	Corner radius for the LM block $r_2(\max)$	Shoulder height for the LM rail $H_1$	Maximum shoulder height for the LM block $H_2$	$H_3$
15	0.5	0.5	3	4	4.3

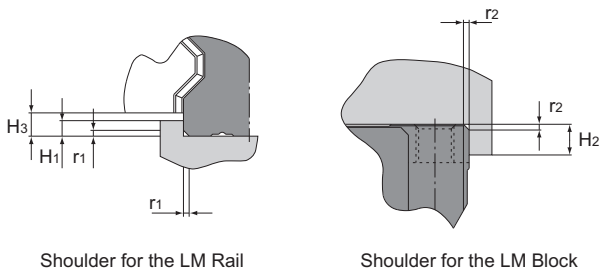


Fig. 11

**[Model SRG]**

Unit: mm

Model No.	Corner radius for the LM rail	Corner radius for the LM block	Shoulder height for the LM rail	Shoulder height for the LM block	H <sub>3</sub>
	r <sub>1</sub> (max)	r <sub>2</sub> (max)	H <sub>1</sub>	H <sub>2</sub>	
15	0.5	0.5	2.5	4	4
20	0.5	0.5	3.5	5	4.6
25	1	1	4	5	4.5
30	1	1	4.5	5	5
35	1	1	5	6	6
45	1.5	1.5	6	8	8
55	1.5	1.5	8	10	10
65	1.5	2	9	10	11.5
85	1.5	1.5	12	14	16
100	2	2	12	16	16

**[Model SRN]**

Unit: mm

Model No.	Corner radius for the LM rail	Corner radius for the LM block	Shoulder height for the LM rail	Shoulder height for the LM block	H <sub>3</sub>
	r <sub>1</sub> (max)	r <sub>2</sub> (max)	H <sub>1</sub>	H <sub>2</sub>	
35	1	1	5	6	6
45	1.5	1.5	6	8	7
55	1.5	1.5	8	10	10
65	1.5	2	8	10	10

Note) If the optional side scraper or protector is attached, dimensions H<sub>1</sub> and H<sub>3</sub> differ from that without the options. For the dimensions after they are attached, see **A1-486** to **A1-487**.

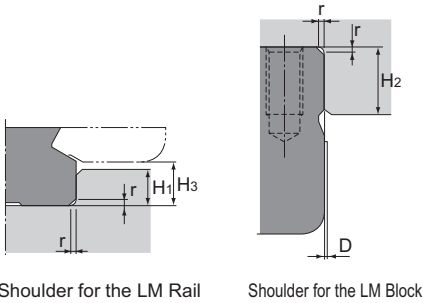
**[Model SRW]**

Unit: mm

Model No.	Corner radius for the LM rail	Corner radius for the LM block	Shoulder height for the LM rail	Shoulder height for the LM block	H <sub>3</sub>
	r <sub>1</sub> (max)	r <sub>2</sub> (max)	H <sub>1</sub>	H <sub>2</sub>	
70	1.5	1.5	6	8	8
85	1.5	1.5	8	10	10
100	1.5	2	9	10	11.5
130	1.5	1.5	12	14	16
150	2	2	12	16	16

## Point of Design

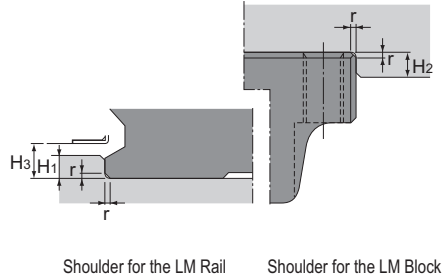
## Designing a Mounting Surface



Shoulder for the LM Rail

Shoulder for the LM Block

Fig.12



Shoulder for the LM Rail

Shoulder for the LM Block

Fig.13

## [Model SSR]

Unit: mm

Model No.	Corner radius r(max)	Shoulder height for the LM rail		Maximum shoulder height for the LM block	
		H <sub>1</sub>	H <sub>2</sub>	H <sub>3</sub>	D
15 X	0.5	3.8	5.5	4.5	0.3
20 X	0.5	5	7.5	6	0.3
25 X	1	5.5	8	6.8	0.4
30 X	1	8	11.5	9.5	0.4
35 X	1	9	16	11.5	0.4

Note) When closely contacting the LM block with the datum shoulder, the resin layer may stick out from the overall width of the LM block by the dimension D. To avoid this, machine the datum shoulder to have a recess or limit the datum shoulder's height below the dimension H<sub>2</sub>.

## [Models SHW and HRW]

Unit: mm

Model No.	Corner radius r(max)	Shoulder height for the LM rail		Shoulder height for the LM block	
		H <sub>1</sub>	H <sub>2</sub>	H <sub>3</sub>	H <sub>3</sub>
12	0.5	1.5	4	2	2
14	0.5	1.5	5	2	2
17	0.4	2	4	2.5	2.5
21	0.4	2.5	5	3	3
27	0.4	2.5	5	3	3
35	0.8	3.5	5	4	4
50	0.8	3	6	3.4	3.4
60	1	5	8	6.5	6.5

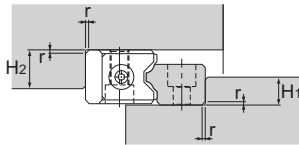


Fig.14

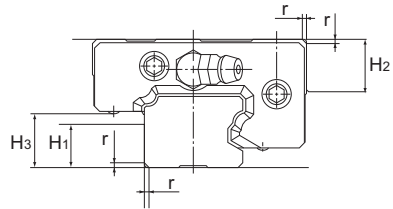


Fig.15

**[Model HR]**

Unit: mm

Model No.	Corner radius	Shoulder height for the LM rail	Shoulder height for the LM block
	r(max)	H <sub>1</sub>	H <sub>2</sub>
918	0.3	5	6
1123	0.5	6	7
1530	0.5	8	10
2042	0.5	11	15
2555	1	13	18
3065	1	16	20
3575	1	18	26
4085	1.5	21	30
50105	1.5	26	32
60125	1.5	31	40

**[Model GSR]**

Unit: mm

Model No.	Corner radius	Shoulder height for the LM rail	Shoulder height for the LM block	H <sub>3</sub>
	r(max)	H <sub>1</sub>	H <sub>2</sub>	
15	0.6	7	7	8
20	0.8	9	8	10.4
25	0.8	11	11	13.2
30	1.2	11	13	15
35	1.2	13	14	17.5

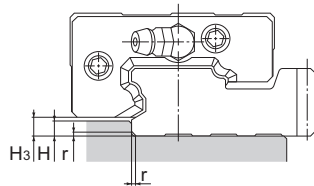


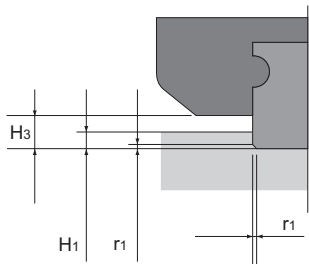
Fig.16

**[Model GSR-R]**

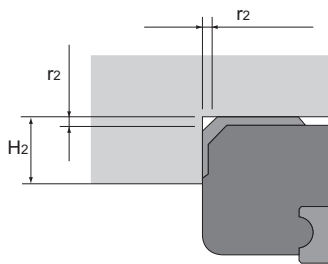
Unit: mm

Model No.	Corner radius	Shoulder height for the LM rail	H <sub>3</sub>
	r(max)	H	
25	0.8	4	4.5
30	1.2	4	4.5
35	1.2	4.5	5.5





Shoulder for the LM Rail



Shoulder for the LM Block

Fig.17

**[Model SRS]**

Unit: mm

Model No.	Corner radius for the LM rail $r_1(\text{max})$	Corner radius for the LM block $r_2(\text{max})$	Shoulder height for the LM rail $H_1$	Shoulder height for the LM block $H_2$	$H_3$
5 M/N	0.1	0.3	1.2	2	1.5
5 WM/WN	0.1	0.2	1.2	2.5	1.5
7 S/M/N	0.1	0.2	0.9	3.3	1.3
7 WS/WM/WN	0.1	0.1	1.4	3.8	1.8
9 XS/XM/XN	0.1	0.3	1.1	4.5	1.5
9 WS/WM/WN	0.1	0.5	2.5	4.9	2.9
12 S/M/N	0.3	0.2	1.5	5.7	2.1
12 WS/WM/WN	0.3	0.3	2.5	5.7	3
15 S/M/N	0.3	0.4	2.2	6.5	2.7
15 WS/WM/WN	0.3	0.3	2.2	6.5	2.7
20 M	0.3	0.5	3	8.7	3.4
25 M	0.5	0.5	4.5	10.5	5

**[Model RSX]**

Unit: mm

Model No.	Corner radius for the LM rail $r_1(\text{max})$	Corner radius for the LM block $r_2(\text{max})$	Shoulder height for the LM rail $H_1$	Shoulder height for the LM block $H_2$	$H_3$
7	0.3	0.4	1.2	2.4	1.5
7W	0.3	0.3	1.7	2.9	2
9	0.3	0.5	1.9	3.3	2.2
9W	0.3	0.8	3.3	3.3	3.7
12	0.5	0.5	1.6	5.3	3
12W	0.5	0.5	3.7	5.8	4
15	0.5	0.5	2.5	5.8	4
15W	0.5	1	3.7	5.7	4

**[Model RSR]**

Unit: mm

Model No.	Corner radius for the LM rail $r_1(\text{max})$	Corner radius for the LM block $r_2(\text{max})$	Shoulder height for the LM rail $H_1$	Shoulder height for the LM block $H_2$	$H_3$
2 N	0.1	0.3	0.6	2.3	0.7
2 WN	0.1	0.3	0.9	2.9	1
3 M/N/WM/WN	0.1	0.3	0.8	1.2	1
14 WVW	0.3	0.3	3.2	5	3.5

**[Model RSR-M1]**

Unit: mm

Model No.	Corner radius for the LM rail $r_1(\text{max})$	Corner radius for the LM block $r_2(\text{max})$	Shoulder height for the LM rail $H_1$	Shoulder height for the LM block $H_2$	$H_3$
9 M1K/M1N	0.3	0.5	1.9	3	2.2
9 M1WV/M1WN	0.1	0.1	3.9	3	4.2
12 M1V/M1N	0.3	0.3	1.4	4	3
12 M1WV/M1WN	0.3	0.3	3.7	4	4
15 M1V/M1N	0.3	0.3	2.3	5	4
15 M1WV/M1WN	0.3	0.3	3.7	5	4
20 M1V/M1N	0.5	0.5	5.5	5	7.5

## Permissible Error of the Mounting Surface

The LM Guide allows smooth straight motion through its self-aligning capability even when there is a slight distortion or error on the mounting surface.

### [Error Allowance in the Parallelism between Two Rails]

A mounting surface error of the LM Guide may affect the service life. The following tables show approximate error allowances in parallelism (P) between two rails in general use.

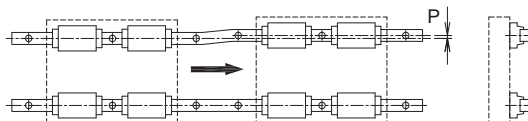


Fig.18 Error Allowance in Parallelism (P) between Two Rails

### [Models SHS, SCR, HSR, CSR, HSR-M1, HSR-M2, and HSR-M1VV]

Unit:  $\mu\text{m}$

Model No.	Normal clearance	Clearance C1	Clearance C0
8	13	10	—
10	16	12	—
12	20	15	—
15	25	18	—
20	25	20	18
25	30	22	20
30	40	30	27
35	50	35	30
45	60	40	35
55	70	50	45
65	80	60	55
85	90	75	70
100	100	90	85
120	120	110	100
150	140	130	115

### [Model JR]

Unit:  $\mu\text{m}$

Model No.	—
25	100
35	200
45	300
55	400

### [Models SSR, SR, SR-M1]

Unit:  $\mu\text{m}$

Model No.	Normal clearance	Clearance C1	Clearance C0
15	35	25	—
20	40	30	25
25	50	35	30
30	60	40	35
35	70	50	45
45	80	60	55
55	100	70	65
70	110	80	65
85	120	90	80
100	130	100	90
120	140	110	100
150	150	120	110

### [Models SVR, NR-X and NR]

Unit:  $\mu\text{m}$

Model No.	Normal clearance	Clearance C1	Clearance C0
25	21	15	14
30	28	21	19
35	35	25	21
45	42	28	25
55	49	35	32
65	56	42	39
75	60	47	44
85	63	53	49
100	70	63	60

## Point of Design

## Designing a Mounting Surface

## [Models SVS, NRS-X and NRS]

Unit:  $\mu\text{m}$ 

Model No.	Normal clearance	Clearance C1	Clearance C0
25	15	11	10
30	20	15	14
35	25	18	15
45	30	20	18
55	35	25	23
65	40	30	28
75	43	34	31
85	45	38	35
100	50	45	43

## [Models SHW and HRW]

Unit:  $\mu\text{m}$ 

Model No.	Normal clearance	Clearance C1	Clearance C0
12	13	10	—
14	16	12	—
17	20	15	—
21	25	18	—
27	25	20	—
35	30	22	20
50	40	30	27
60	50	35	30

## [Models SRS, RSX, RSR, RSR-W and RSR-M1]

Unit:  $\mu\text{m}$ 

Model No.	Normal clearance	Clearance C1
2	2	—
3	2	—
5	2	—
7	3	—
9	4	3
12	9	5
14	10	6
15	10	6
20	13	8
25	15	10

## [Model SR-MS]

Unit:  $\mu\text{m}$ 

Model No.	Clearance CS
15	8
20	8

## [Model HR]

Unit:  $\mu\text{m}$ 

Model No.	Normal clearance	Clearance C1	Clearance C0
918	10	7	—
1123	14	8	—
1530	18	12	—
2042	20	15	14
2555	35	24	20
3065	38	26	22
3575	42	28	24
4085	50	35	30
50105	55	42	38
60125	65	55	50

## [Models GSR and GSR-R]

Unit:  $\mu\text{m}$ 

Model No.	—
15	30
20	40
25	50
30	60
35	70

## [Model NSR-TBC]

Unit:  $\mu\text{m}$ 

Model No.	Normal clearance	Clearance C1
20	50	40
25	70	50
30	80	60
40	90	70
50	110	80
70	130	90

### [Flatness of the Mounting Surface]

The flatness of the LM Guide mounting surface may affect the service life. The reference tolerance values for the mounting surface flatness of models SRS, RSR and RSR-W (general use) are indicated here. Note that the service life of models not shown here may also be affected if the mounting surface is not flat.

#### [Model SRS]

Unit: mm

Model No.	Flatness error
5	0.015/200
7	0.025/200
9	0.035/200
12	0.050/200
15	0.060/200
20	0.070/200
25	0.070/200

#### [Model SR-MS]

Unit: mm

Model No.	Flatness error
15	0.020/200
20	0.020/200

#### [Models RSX, RSX-W, RSR, RSR-W and RSR-M1]

Unit: mm

Model No.	Flatness error
2	0.012/200
3	0.012/200
7	0.025/200
9	0.035/200
12	0.050/200
14	0.060/200
15	0.060/200
20	0.110/200

Note 1) As many factors can affect the mounting precision, we recommend using values 70% or less than those shown.

Note 2) The figures shown apply to normal clearances. When using two or more rails with clearance C1, we recommend using 50% or less of the values shown.

### [Error Allowance in Vertical Level between Two Rails]

The flatness of the LM Guide mounting surface may affect the service life. **A1-473** and **A1-474** feature several tables. The values in those tables represent error allowances in vertical level between two rails per axis-to-axis distance of 500 mm (200 mm for models SRS and RSR) and are proportionate to axis-to-axis distances.

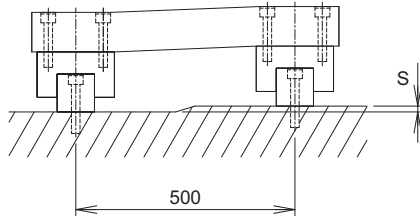


Fig.19 Error Allowance in Vertical Level (S) between Two Rails

### [Models SHS, HSR, SCR, CSR, HSR-M1, HSR-M2 and HSR-M1VV]

Unit:  $\mu\text{m}$

Model No.	Normal clearance	Clearance C1	Clearance C0
8	40	11	—
10	50	16	—
12	65	20	—
15	130	85	—
20	130	85	50
25	130	85	70
30	170	110	90
35	210	150	120
45	250	170	140
55	300	210	170
65	350	250	200
85	400	290	240
100	450	330	280
120	500	370	320
150	550	410	360

### [Models SSR, SR, SR-M1]

Unit:  $\mu\text{m}$

Model No.	Normal clearance	Clearance C1	Clearance C0
15	180	100	—
20	180	100	80
25	200	120	100
30	240	150	120
35	300	210	170
45	360	240	200
55	420	300	250
70	480	350	300
85	540	420	350
100	600	480	400
120	720	540	450
150	780	600	500

### [Models SVR, NR-X and NR]

Unit:  $\mu\text{m}$

Model No.	Normal clearance	Clearance C1	Clearance C0
25	65	43	35
30	85	55	45
35	105	75	60
45	125	85	70
55	150	105	85
65	175	125	100
75	188	135	110
85	200	145	120
100	225	165	140

### [Model JR]

Unit:  $\mu\text{m}$

Model No.	—
25	400
35	500
45	800
55	1000

**[Models SVS, NRS-X and NRS]**Unit:  $\mu\text{m}$ 

Model No.	Normal clearance	Clearance C1	Clearance C0
25	91	60	49
30	119	77	63
35	147	105	84
45	175	119	98
55	210	147	119
65	245	175	140
75	263	189	154
85	280	203	168
100	315	231	196

**[Models SRS, SRS-W, RSX, RSX-W, RSR, RSR-W and RSR-M1]**Unit:  $\mu\text{m}$ 

Model No.	Normal clearance	Clearance C1
3	15	—
5	20	—
7	25	—
9	35	6
12	50	12
14	60	20
15	60	20
20	70	30
25	80	40

**[Models SHW and HRW]**Unit:  $\mu\text{m}$ 

Model No.	Normal clearance	Clearance C1	Clearance C0
12	40	11	—
14	50	16	—
17	65	20	—
21	130	85	—
27	130	85	—
35	130	85	70
50	170	110	90
60	210	150	120

**[Model HR]**Unit:  $\mu\text{m}$ 

Model No.	Normal clearance	Clearance C1	Clearance C0
918	45	15	—
1123	50	20	—
1530	90	60	—
2042	90	60	50
2555	150	100	85
3065	165	110	95
3575	175	120	100
4085	210	150	120
50105	245	175	140
60125	280	200	170

**[Models GSR and GSR-R]**Unit:  $\mu\text{m}$ 

Model No.	—
15	240
20	300
25	360
30	420
35	480

**[Model NSR-TBC]**Unit:  $\mu\text{m}$ 

Model No.	Normal clearance	Clearance C1
20	300	210
25	360	240
30	420	270
40	540	360
50	600	420
70	660	480

**[Model SR-MS]**

Unit: mm

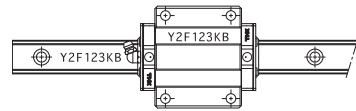
Model No.	Clearance CS
15	0.020/200
20	0.020/200

## Marking on the Master LM Guide and Combined Use

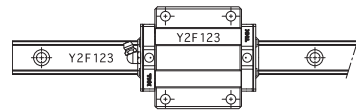
### [Marking on the Master LM Guide]

All LM rails mounted on the same plane are marked with the same serial number. The LM rail marked with "KB" after the serial number is the master LM rail. The LM block on the master LM rail has its reference surface finished to a designated precision, allowing it to serve as the positioning reference for tables. (See Fig.20)

Normal grade LM Guides are not marked with "KB." Therefore, any one of the LM rails having the same serial number can be used as the master LM rail.



Master LM Guide



Subsidiary LM Guide

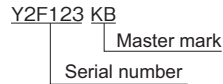
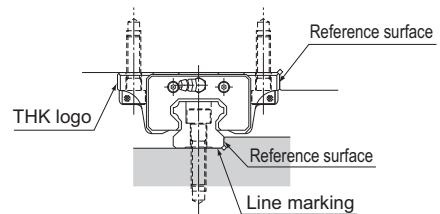


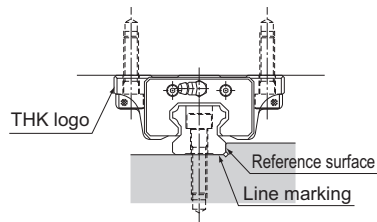
Fig.20 Master and Subsidiary LM Guides (E.g. Model HSR-B)

### [Markings on the Reference Surface]

In the LM Guide, the reference surface of the LM block is opposite the surface marked with the THK logo, and that of the LM rail is on the surface marked with a line (see Fig.21). If it is necessary to reverse the reference surface of the LM rail and block, or if the grease nipple must be oriented in the opposite direction, specify it.



Master LM Guide



Subsidiary LM Guide

Fig.21 Markings on the Reference Surface

### [Serial Number Marking and Combined Use of an LM Rail and LM Blocks]

An LM rail and LM block(s) used in combination must have the same serial number. When removing an LM block from the LM rail and reinstalling the LM block, make sure that they have the same serial number and the numbers are oriented in the same direction. (Fig.22)

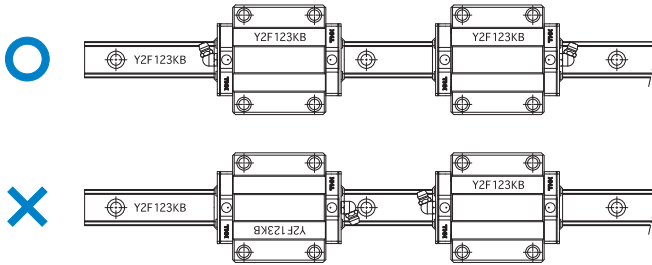


Fig.22 Serial Number Marking and Combined Use of an LM Rail and LM Blocks (E.g. Model HSR-A)

### [Use of Jointed Rails]

When a long LM rail is ordered, two or more rails will be jointed together to the desired length. When jointing rails, make sure that the joint match marks shown in Fig.23 are correctly positioned. When two LM Guides with connected rails are to be arranged in parallel to each other, the two LM Guides will be manufactured so that the two LM Guides are axisymmetrically aligned.

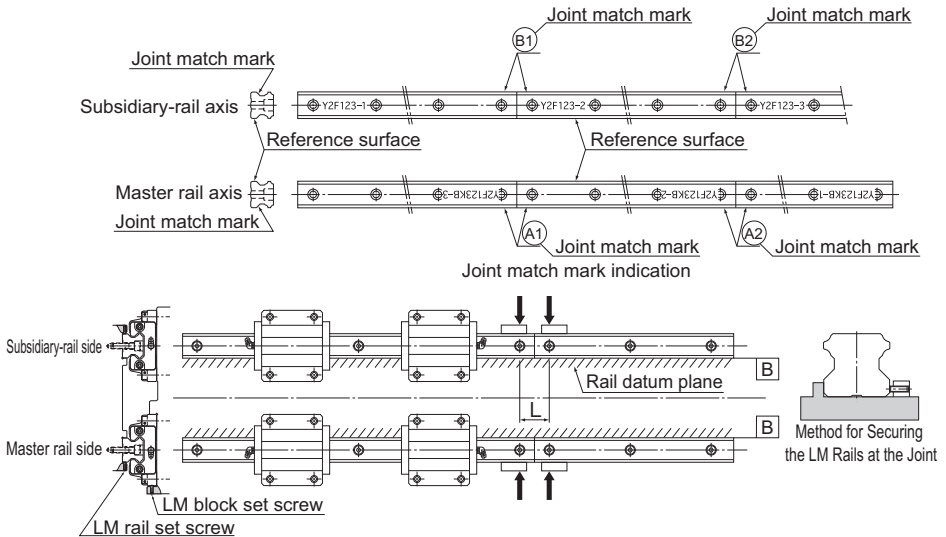


Fig.23 Use of Jointed Rails



## LM Guide Options

<b>Options</b> .....	A1-477
Table of Supported Options by Models ..	A1-478
Seal and Metal scraper .....	A1-482
Laminated Contact Scraper LaCS .....	A1-484
Side Scraper .....	A1-486
Protector .....	A1-487
Light-Resistance Contact Seal LiCS .....	A1-489
High Chemical Resistance Fluorine Seal FS ..	A1-490
Dimensions of Each Model with an Option Attached ..	A1-491
• The LM Block Dimension (Dimension L) with LaCS and Seals Attached ..	A1-491
• Incremental Dimension with Grease Nipple (When LaCS is Attached) ..	A1-499
• LM Block Dimension (Dimension L) with LiCS Attached ..	A1-501
• Incremental Dimension with Grease Nipple (When LiCS is Attached) ..	A1-502
• Overall block length with fluorine seals and other accessories attached ..	A1-503
• Maximum Seal Resistance .....	A1-504
• Maximum resistance for LaCS .....	A1-507
• Maximum resistance for LiCS .....	A1-508
• Maximum seal resistance of FS .....	A1-508
• Maximum resistance for the side scraper ..	A1-508
QZ Lubricator .....	A1-509
• LM Block Dimension (Dimension L) with QZ Attached ..	A1-512
List of Parts Symbols .....	A1-516
Dedicated Bellows .....	A1-519
• Bellows .....	A1-520
Dedicated LM Cover .....	A1-532
• LM Cover .....	A1-533
Dedicated Cap for LM Rail Mounting Holes ..	A1-534
Plate Cover SV Steel Tape SP .....	A1-537
Lubrication Adapter .....	A1-540
Removing/mounting Jig .....	A1-541
End Piece EP .....	A1-542
<b>Model No.</b> .....	A1-543
• Model Number Coding .....	A1-543
• Notes on Ordering .....	A1-547
<b>Precautions on Use</b> .....	A1-549
Precautions on Using the LM Guide .....	A1-549
Precautions on Handling the LM Guide for Special Environment ..	A1-551
• LM Guide for Medium-to-Low Vacuum .....	A1-551
• Oil-Free LM Guide .....	A1-551
Precautions on Using Options for the LM Guide ..	A1-552
• QZ Lubricator for the LM Guide .....	A1-552
• Laminated Contact Scraper LaCS, Side Scraper for LM Guides ..	A1-552
• Light Contact Seal LiCS for LM Guides ..	A1-553
• High Chemical Resistance Fluorine Seal FS for the LM Guide ..	A1-553
• Cap GC .....	A1-553

# Table of Supported Options by Models

Model No.	Type	Contamination Protection												
		End seal	Side seal	Inner seal	End seal + Side seal (+ Inner seal)	Double seals + Side seal (+ Inner seal)	End seal + Side seal (+ Inner seal) + Metal scraper	Double seals + Side seal (+ Inner seal) + Metal scraper	LaCS	Side Scraper	End seal + Protector	Double seals + Protector	Low-resistance end seal	
		UU	—	—	SS	DD	ZZ	KK	HH	YY	JJ	TT	LL	
Caged Ball	SHS	15 to 65	○	○	○	○*	○	○	○	○	—	—	—	—
	SSR	15 to 35	○*	○	—	○	○	○	○	○	—	—	—	—
	SVR/SVS	25 to 65	○	○	○	○	○	○	○	○	○	○	○	—
	SHW	12, 14	○	○	—	○	—	—	—	○	—	—	—	—
		17	○	○	—	○	○	○	○	○	—	—	—	—
		21 to 50	○	○	○	○	○	○	○	○	—	—	—	—
	SRS	5	○*	—	—	—	—	—	—	—	—	—	—	—
7		○*	○	—	○	—	—	—	—	—	—	—	—	
9 to 25		○*	○	—	○	—	—	—	○	—	—	—	—	
SCR	15 to 65	○	○	○	○	○	○	○	○	—	—	—	—	
EPF	7 to 15	—	—	—	—	—	—	—	—	—	—	—	—	
Full-ball	HSR	8, 10, 12	○	—	—	—	—	—	—	—	—	—	—	—
		15, 20, 25	○	○	—	○*	○	○*	○*	○	—	—	—	○
		30, 35	○	○	—	○*	○	○	○	○	—	—	—	○
		45, 55, 65	○	○	—	○*	○	○	○	○	—	—	—	○
		85	○	○	—	○*	○	○	○	○	—	—	—	—
	100, 120, 150	○	○	—	○*	—	—	—	—	—	—	—	—	
	SR	15 to 25	○	○	—	○	○	○*	○*	—	—	—	—	○
		30 to 70	○	○	—	○	○	○	○	—	—	—	—	—
		85 to 150	○	○	—	○	—	—	—	—	—	—	—	—
	NR-X/NRS-X	25 to 65	○	○	○	○	○	○	○	○	○	○	○	—
	NR/NRS	75, 85	○	○	○	○	○	○	○	○	—	—	—	—
100		○	○	○	○	○*	○*	○*	○*	—	—	—	—	
HRW	12, 14	○*	○	—	○	—	—	—	—	—	—	—	—	
	17, 21	○*	—	—	—	○*	○	○*	—	—	—	—	—	
	27 to 60	○*	○	—	○	○	○	○	—	—	—	—	—	

\*1 Model SHS : Dedicated GC cap --- not applicable to model 15, Stainless steel LM Guide --- applicable only to models 15 through 25

\*2 Model SSR : Dedicated GC cap --- applicable to all models except model SSR15, Stainless steel LM Guide --- applicable to XV, XW

\*3 Models SVR and SVS : GG, PP --- applicable to models 25 and 30

\*4 Model SHW : GG, PP --- applicable to models SHW21 and 27, Dedicated GC cap --- applicable to models SHW35, 50, Dedicated CV cap --- applicable to models SHW35, 50

\*5 Model SRS : Dedicated cap C --- applicable to models SRS9W, 12, 15, 20, 25, Dedicated cap CV --- applicable to models SRS20, 25

\*6 Model SCR : Dedicated cap GC --- applicable to all models except model SCR15, Dedicated cap CV --- applicable to all models except model SCR15

\*7 Model HSR : ZZ, KK --- grease nipple cannot be attached to model HSR15, GG --- applicable to model HSR25, Steel tape SP --- applicable to models HSR15 to 100, Dedicated cap C --- applicable to models HSR12 to 100, Dedicated cap GC --- applicable to models HSR20 to 100, Dedicated LM cover --- applicable to models HSR25 to 55, Inner seal --- applicable to models HSR30 to 85, Dedicated cap CV --- applicable to all models except model HSR 15, Side nipple --- applicable to C/LC, XC/XLC, R/LR, XR/XLR

\*8 Model SR : ZZ, KK --- grease nipple cannot be attached to models SR15, 20, Dedicated cap C --- applicable to models SR15 to 85, Dedicated cap GC --- applicable to models SR20 to 85, Stainless steel LM Guides --- applicable to models SR15 to 35, Dedicated cap CV --- applicable to all models except models SR15, 20, 100, 120, 150

\*9 Model NR/NRS : DD, ZZ, KK and HH --- side nipple required for model NR/NRS100, Plate cover SV --- applicable to models NR/NRS75, Dedicated cap GC --- not applicable to only model NR75

Options

Table of Supported Options by Models

Symbols in the table ○: Applicable △: Applicable depending on model (see note)  
 ★: Recommended by THK (standard stock item)

	Low resistance end seal + side seal	LICS	LICS + Side seal (+ Inner seal)	High Chemical Resistance Fluorine Seal	Plate Cover SV	Steel tape SP	Dedicated cap CV	Dedicated cap C	Dedicated cap GC	Dedicated bellows	Dedicated LM Cover	Tapped-hole LM Rail Type	Lubrication		Corrosion Prevention	
	RR	GG	PP	FS	Z	Z	—	—	—	—	TPH (dedicated for HSR)	K	QZ	End plate with/without side nipple	AP-HC, AP-C, AP-CF	Stainless Steel LM Guide
													QZ	—	F	M
	—	○	○	—	—	○	○	○	△*1	○	—	○	○	○	○	△*1
	—	○	○	—	—	○	○	○	△*2	○	—	○	○	○	○	△*2
	—	△*3	△*3	—	—	—	○	○	○	○	—	—	○	○	○	—
	—	—	—	—	—	—	—	○	—	○	—	—	○	—	○	○
	—	—	—	—	—	—	—	○	—	○	—	—	○	—	○	○
	—	△*4	△*4	—	—	—	△*4	○	△*4	○	—	—	○	—	○	—
	—	—	—	—	—	—	—	—	—	—	—	—	—	—	—	○
	—	—	—	—	—	—	—	—	—	—	—	—	○	—	—	○
	—	—	—	—	—	—	△*5	△*5	—	—	—	—	○	—	—	○
	—	—	—	—	—	—	△*6	○	△*6	—	—	○	○	○	○	—
	—	—	—	—	—	—	—	—	—	—	—	—	—	—	—	—
	—	—	—	—	—	—	—	△*7	—	—	—	—	—	—	○	○
	○	△*7	—	—	—	○	△*7	○	△*7	○	△*7	○	○	△	○	○
	○	—	—	—	—	○	○	○	○	○	○	○	○	△	○	○
	○	—	—	—	—	○	○	○	○	○	△*7	○	○	△*7	○	—
	—	—	—	—	—	○	—	○	○	○	—	—	○	—	○	—
	—	—	—	—	—	△*7	—	△*7	△*7	—	—	—	—	—	○	—
	○	—	—	—	—	○	△*8	○	△*8	○	—	○	—	—	○	○
	—	—	—	—	—	○	○	○	○	○	—	○	—	—	○	△*8
	—	—	—	—	—	—	△*8	△*8	△*8	—	—	—	—	—	○	—
	—	—	—	—	—	—	○	○	○	○	—	—	○	○	○	—
	—	—	—	—	△*9	○	—	○	△*9	○	—	—	—	○	○	—
	—	—	—	—	—	○	—	○	○	○	—	—	○	○	○	—
	—	—	—	—	—	—	—	△*10	—	—	—	—	—	—	○	○
	—	—	—	—	—	—	—	○	—	○	—	—	—	—	○	○
	—	—	—	—	—	—	△*10	○	△*10	△*10	—	—	—	—	○	△*10

\*10 Model HRW : DD, KK --- grease nipple cannot be attached to model HRW17,  
 Dedicated cap C --- applicable to models HRW14 to 60,  
 Dedicated cap GC --- applicable to models HRW35, 50, 60,  
 Dedicated bellows --- applicable to models HRW17 to 50,  
 Stainless steel LM Guides --- applicable to models HRW12 to 35,  
 Dedicated cap CV --- applicable to models HRW35, 50, 60 only

Note) Those models equipped with QZ Lubricator cannot have a grease nipple.  
 When desiring a grease nipple for a model attached with QZ, contact THK.

LM Guide (Options)

Model No.	Type	Contamination Protection												
		End seal	Side seal	Inner seal	End seal + Side seal (+ Inner seal)	Double seals + Side seal (+ Inner seal)	End seal + Side seal (+ Inner seal) + Metal scraper	Double seals + Side seal (+ Inner seal) + Metal scraper	LaCS	Side Scraper	End seal + Protector	Double seals + Protector	Low-resistance end seal	
		Symbol	UU	—	—	SS	DD	ZZ	KK	HH	YY	JJ	TT	LL
Full-ball	RSX	7,7W,9	○	—	—	—	—	—	—	—	—	—	—	—
		9W,12,12W,15,15W	○	—	—	—	—	—	—	—	—	—	—	—
	RSR	2,3	—	—	—	—	—	—	—	—	—	—	—	—
		3W,14	○	—	—	—	—	—	—	—	—	—	—	—
	HR	918 to 2555	○	—	—	—	—	—	—	—	—	—	—	—
		3065 to 60125	○	—	—	—	—	—	—	—	—	—	—	—
	GSR	15 to 35	○*	○	—	○	○	○	○	—	—	—	—	—
	GSR-R	25 to 35	○	○	—	○	○	○	○	—	—	—	—	—
	CSR	15 to 25	○	○	—	○	○	○	○*16	○*16	—	—	—	○
		30 to 45	○	○	○	○	○	○	○	○	—	—	—	○
	MX	5,7	○	—	—	—	—	—	—	—	—	—	—	—
	JR	25 to 55	○	○	—	○	○	○	○	—	—	—	—	—
	HCR	12	○	○	—	—	—	—	—	—	—	—	—	—
		15 to 65	○	○	—	○	○	○	○*17	○*17	—	—	—	○*18
	HMG	15 to 65	○*21	—	—	—	—	—	—	—	—	—	—	—
NSR	20TBC to 30TBC	○	○	—	○	—	—	—	—	—	—	—	—	
	40TBC to 70TBC	○	○	○	○	—	—	—	—	—	—	—	—	
HSR-M1	15 to 35	○	○	—	○	—	—	—	—	—	—	—	—	
SR-M1	15 to 35	○	○	—	○	—	—	—	—	—	—	—	—	
RSR-M1	9,12W,15W	○	—	—	—	—	—	—	—	—	—	—	—	
	9W,12,15,20	○	—	—	—	—	—	—	—	—	—	—	—	
HSR-M2	15 to 25	○	○	—	○	—	—	—	—	—	—	—	—	
Caged Roller	SRG	15	○	○	○	○	○	—	—	—	—	—	—	
		20,25,30	○	○	○	○	○	○	○	○	—	—	—	
		35,45,55,65	○	○	○	○	○	○	○	○	○	○	—	
		85,100	○	○	○	○	○	○*20	○	○	○	○	—	
	SRN	35 to 65	○	○	○	○	○	○	○	○	—	—	—	
	SRW	70 to 100	○	○	○	○	○	○	○	○	—	—	—	—
130,150		○	○	○	○	○	○	○	○	—	—	—	—	

\*11 Model RSX : Dedicated C cap --- applicable to models 9W, 12, 15

\*12 Model RSR : Dedicated cap C --- applicable to model RSR14W

\*13 Model HR : Dedicated cap C --- applicable to models HR1123 to 50105,

Dedicated cap GC --- applicable to models HR2042 to 50105,

Dedicated cap CV --- applicable to models HR2042 to 50105

\*14 Model GSR : Dedicated cap GC --- applicable to all models except model GSR15,

Dedicated cap CV --- applicable to all models except model GSR15

\*15 Model GSR-R : AP-HC treatment of rack rail is not applicable

\*16 Model CSR : ZZ, KK --- grease nipple cannot be attached to model CSR15,

Dedicated cap GC --- applicable to all models except model CSR15,

Dedicated cap CV --- applicable to all models except model CSR15

Table of Supported Options by Models

Symbols in the table ○: Applicable △: Applicable depending on model (see note)  
★: Recommended by THK (standard stock item)

	Low resistance end seal + side seal	LiCS	LiCS + Side seal (+ Inner seal)	High Chemical Resistance Fluorine Seal	Plate Cover	Steel tape SP	Dedicated cap CV	Dedicated cap C	Dedicated cap GC	Dedicated bellows	Dedicated LM Cover	Tapped-hole LM Rail Type	Lubrication		Corrosion Prevention	
													QZ Lubricator	End plate with/without side nipple	AP-HC, AP-C, AP-CF	Stainless Steel LM Guide
	RR	GG	PP	FS	Z	Z	—	—	—	—	TPH (dedicated for HSR)	K	QZ	—	F	M
	—	—	—	—	—	—	—	—	—	—	—	—	—	—	—	—
	—	—	—	—	—	—	—	○*11	—	—	—	—	—	—	—	—
	—	—	—	—	—	—	—	△*12	—	—	—	—	—	—	○	○
	—	—	—	—	—	—	△*13	△*13	△*13	—	—	—	—	—	○	○
	—	—	—	—	—	—	△*13	△*13	△*13	—	—	—	—	—	○	—
	—	—	—	—	—	—	△*14	○	△*14	—	—	—	—	—	○	—
	—	—	—	—	—	—	—	○	○	—	—	—	—	—	△*15	—
	○	—	—	—	—	—	△*16	○	△*16	—	—	○	—	—	○	—
	○	—	—	—	—	—	○	○	○	—	—	○	—	—	○	—
	—	—	—	—	—	—	—	—	—	—	—	○	—	—	○	○
	—	—	—	—	—	—	—	—	—	—	—	—	—	—	○	—
	—	—	—	—	—	—	—	—	—	—	—	—	—	—	○	—
	○	—	—	—	—	—	△*18	—	—	—	—	—	—	—	○	—
	—	—	—	—	—	—	△*19	○	△*19	—	—	—	—	—	○	—
	—	—	—	—	—	—	—	○	○	○	—	—	—	—	○	—
	—	—	—	—	—	—	—	○	○	○	—	—	—	—	○	—
	—	—	—	—	—	—	—	○*22	—	—	—	—	—	—	○	—
	—	—	—	—	—	—	—	○*22	—	—	—	—	—	—	○	—
	—	—	—	—	—	—	—	○*22	—	—	—	—	—	—	○	—
	—	—	—	—	—	—	—	○	—	—	—	—	—	—	○	—
	—	○	○	—	—	—	—	○	—	○	—	—	○	○	○*24	—
	—	○	○	—	△*20	—	○	○	○	○	—	—	○	○	○*24	—
	—	—	—	○	△*20	—	○	○	○	○	—	—	○	○	○*24	—
	—	—	—	—	○*20	—	—	○	○	○	—	—	○	○	○*24	—
	—	—	—	—	○*23	—	○	○	○	○	—	—	○	○	○	—
	—	—	—	—	○	—	○	○	○	○	—	—	○	○	○	—
	—	—	—	—	○	—	△*24	○	○	○	—	—	○	○	○	—

\*17 Model HCR : ZZ, KK --- grease nipple cannot be attached to model HCR15.

\*18 Model HCR : When using joined LM rails, the contamination prevention seal must be a low-resistance seal (contamination protection code: LL).  
Dedicated cap CV --- applicable to all models except model HCR15

\*19 Model HMG : Dedicated cap GC --- applicable to model HMG25,  
Dedicated cap CV --- applicable to all models except model HMG15

\*20 Model SRG : DD --- side nipple required for Model SRG100.  
Plate cover (see **■1-429**) --- suitable for Models 35 to 65

\*21 Model HMG : Straight-curved seal (code: UU) required.

\*22 Model HSR/SR/RSR-M1 (for High Temperatures) : Dedicated cap C --- only work at room temperatures

\*23 Model SRN : Plate cover SV --- suitable for models 35 to 65

Plate cover (**■1-443**) --- suitable for models 35 to 65

\*24 : AP-HC surface treatment is not available,

Dedicated cap CV --- applicable to model 130 only

Note) Those models equipped with QZ Lubricator cannot have a grease nipple.  
When desiring a grease nipple for a model attached with QZ, contact THK.

# Seal and Metal scraper

- For the supported models, see the table of options by model number on [A1-478](#).
- For the LM block dimension (dimension L) with seal attached, see [A1-491](#) to [A1-498](#).
- For the maximum seal resistance, see [A1-504](#) to [A1-506](#).

Item name	Schematic diagram / mounting location	Purpose/location of use
End Seal		Used in locations exposed to dust
Side Seal		Used in locations where dust may enter the LM block from the side or bottom surface, such as vertical, horizontal and inverted mounts
Inner Seal		Used in locations severely exposed to dust or cutting chips
Double Seals		Used in locations exposed to much dust or many cutting chips
Metal Scraper (Non-contact)		Used in locations where welding spatter may adhere to the LM rail

## Options

## Seal and Metal scraper

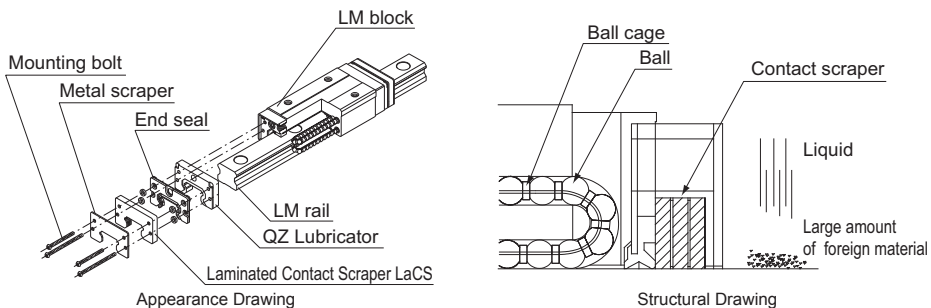
Symbol	Contamination Protection Accessories
UU	With end seal
SS	With end seal + side seal + inner seal*
DD	With double seals + side seal + inner seal*
ZZ	With end seal + side seal + inner seal* + metal scraper
KK	With double seals + side seal + inner seal* + metal scraper

\* Some models are not equipped with inner seals.(See **A1-478**)

# Laminated Contact Scraper LaCS

- For the supported models, see the table of options by model number on [A1-478](#).
- For the LM block dimension (dimension L) with LaCS attached, see [A1-491](#) to [A1-498](#).
- For the resistance of LaCS, see [A1-507](#).
- For notes regarding how to handle the LaCS, refer to [A1-552](#).

For locations with adverse environment, Laminated Contact Scraper LaCS is available. LaCS removes minute foreign material adhering to the LM rail in multiple stages and prevents it from entering the LM block with laminated contact structure (3-layer scraper).



## [Features]

- Since the 3 layers of scrapers fully contact the LM rail, LaCS is highly capable of removing minute foreign material.
- Since it uses oil-impregnated, foam synthetic rubber with a self-lubricating function, low friction resistance is achieved.

Symbol	Contamination Protection Accessories
SSHH	With end seal + side seal + inner seal* <sup>1</sup> + LaCS
DDHH	With double seals + side seal + inner seal * <sup>1</sup> + LaCS
ZZHH	With end seal + side seal + inner seal * <sup>1</sup> + metal scraper + LaCS
KKHH	With double seals + side seal + inner seal * <sup>1</sup> + metal scraper + LaCS
JJHH* <sup>2</sup>	With end seal + side seal + inner seal* <sup>1</sup> + LaCS + protector (serving also as metal scraper)
TTHH* <sup>2</sup>	With double seals + side seal + inner seal* <sup>1</sup> + LaCS + protector (serving also as metal scraper)

\*<sup>1</sup> Some models are not equipped with inner seals.(See [A1-478](#))

\*<sup>2</sup> JJHH and TTHH are only available for models SVR/SVS, NR/NRS-X and SRG.

Note) HH type (with LaCS) for models SVR/SVS, NR/NRS-X, and SRG comes with a protector (see [A1-487](#)). Contact THK if you want to use the Protector with other options.



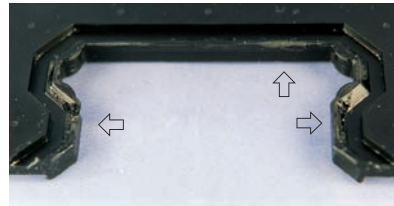
### ● Test under an Environment with a Water-soluble Coolant

[Test conditions] Test environment: water-soluble coolant

Item	Description	
Tested model	No.1	SHS45R1SS+3000L (end seal only)
	No.2	SHS45R1SSH+3000L (end seal and LaCS)
Maximum speed	200m/min	
Environmental conditions	Coolant sprayed: 5 time per day	

#### Magnified view of the end seal lip

No. 1: without LaCS - lip fractured at 1,700 km



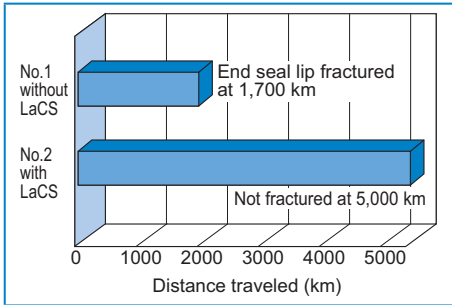
⇐ Areas marked with arrow are fractured

No. 2: with LaCS - no anomaly observed after traveling 5,000 km



Lip has not been fractured

[Test result]



### ● Test under an Environment with Minute Foreign Matter

[Test conditions] Test environment: minute foreign material

Item	Description	
Tested model	No.1	Caged Ball LM Guide #45R (DD+600L) double seals only
	No.2	Caged Ball LM Guide #45R (HH+600L) LaCS only
Max speed/acceleration	60m/min, 1G	
External load	9.6kN	
Foreign material conditions	Type: FCD450#115 (particle diameter: 125 μm or less)	
	Sprayed amount: 1g/1hour (total sprayed amount: 120 g)	

No. 1 Traveled 100 km (double-seal configuration)



Large amount of foreign matter has entered the raceway

No. 2 Traveled 100 km (LaCS only)



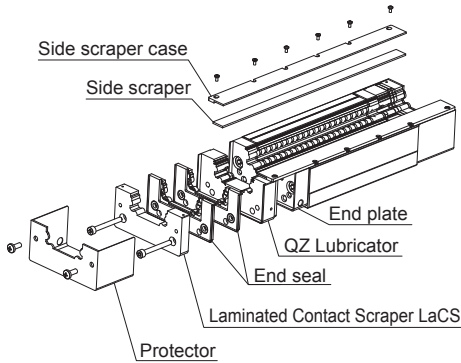
No foreign matter entering the raceway observed

[Test result] Amount of foreign material entering the raceway

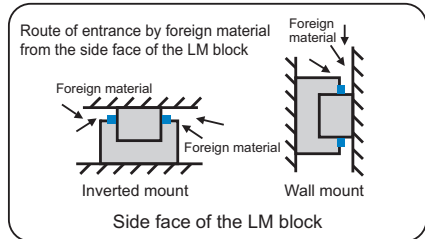
Seal configuration		Amount of foreign material entering the raceway g
Double-seal configuration (2 end seals superposed with each other)	Tested model 1	0.3
	Tested model 2	0.3
	Tested model 3	0.3
LaCS	Tested model 1	0
	Tested model 2	0
	Tested model 3	0

# Side Scraper

- Applicable models: models SVR/SVS, NR/NRS-X and SRG
- For the resistance of side scraper, see [A1-508](#).
- For the LM block dimension (dimension L) with side scraper attached, see [A1-491](#).
- For notes regarding how to handle the side scraper, see [A1-552](#).

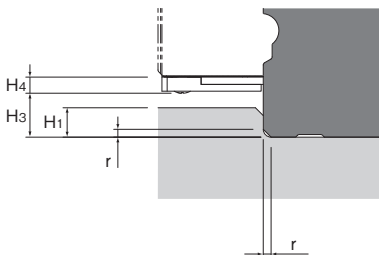


Outline view  
(Ex: in case of QZTTHHY type)



## [Features]

- Minimizes foreign material entering from the side of the LM Guide in a harsh environment.
- Demonstrates a dust protection effect in inverted or wall mount.



Side view of the LM block after the side scraper is mounted  
Note) Note that the side scraper is not sold alone.

## Model number coding

**SVR45 LR 1 QZ JJHH YY C1 +1200L**

With side scraper\*

The shoulder height of the mounting surface and the corner radius of model SVR/SVS or NR/NRS-X after side scraper is mounted

Unit: mm

Model No.	Corner radius r(max)	Shoulder height of the LM rail H <sub>1</sub>	H <sub>3</sub>	Side scraper thickness H <sub>4</sub>
25	0.5	2	2.9	2.6
30	1	3.5	4.4	
35	1	5.5	6.4	
45	1	8	9	
55	1.5	10.5	11.4	
65	1.5	11	12.3	

The shoulder height of the mounting surface and the corner radius after the side scraper of model SRG is mounted

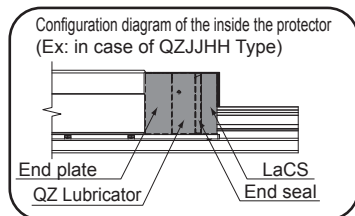
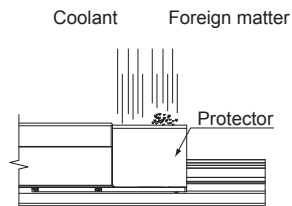
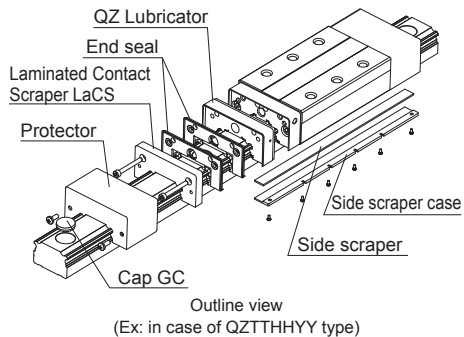
Unit: mm

Model No.	Corner radius r(max)	Shoulder height of the LM rail H <sub>1</sub>	H <sub>3</sub>	Side scraper thickness H <sub>4</sub>
35	1	3	4	2
45	1	3.5	5.5	2.5
55	1.5	5.5	7.5	2.5
65	1.5	6	8.5	3

\* The side scraper can accommodate various options of dust control accessories and lubrication accessories. For details, contact THK.

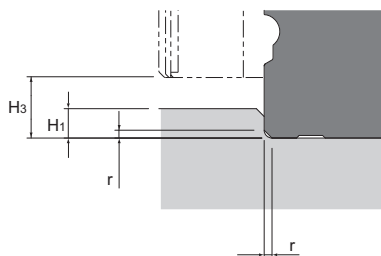
# Protector

- Applicable models: models SVR/SVS, NR/NRS-X and SRG
- HH type (with LaCS) for models SVR/SVS, NR/NRS-X and SRG is provided with the protector.
- For the LM block dimension (dimension L) with protector attached, see [A1-491](#).



## [Features]

- The protector minimizes the entrance of foreign material even in harsh environments where foreign material such as fine particles and liquids are present.



Side view of the LM block after the protector is mounted

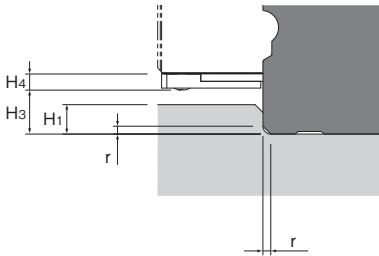
The shoulder height of the mounting surface and the corner radius of the LM block after protector is mounted  
of model SVR/SVS or NR/NRS-X  
Unit: mm

Model No.	Corner radius $r(\text{max})$	Shoulder height of the LM rail $H_1$	$H_3$
25	0.5	4	5.5
30	1	5	7
35	1	6	9
45	1	8	11.6
55	1.5	10	14
65	1.5	10	15

The shoulder height of the mounting surface and the corner radius after the protector of model SRG is mounted

Unit: mm

Model No.	Corner radius $r(\text{max})$	Shoulder height of the LM rail $H_1$	$H_3$
35	1	5	6
45	1.5	6	8
55	1.5	8	10
65	1.5	9	11.5



Side view of the LM block after the protector and side scraper are mounted

The shoulder height of the mounting surface and the corner radius of Model SVR/SVS or NR/NRS-X after the protector and side scraper are mounted

Unit: mm

Model No.	Corner radius r(max)	Shoulder height of the LM rail H <sub>1</sub>	H <sub>3</sub>	Side scraper thickness H <sub>4</sub>
25	0.5	2	2.9	2.6
30	1	3.5	4.4	
35	1	5.5	6.4	
45	1	8	9	
55	1.5	10.5	11.4	
65	1.5	11	12.3	

The shoulder height of the mounting surface and the corner radius after the protector and side scraper of Model SRG are mounted

Unit: mm

Model No.	Corner radius r(max)	Shoulder height of the LM rail H <sub>1</sub>	H <sub>3</sub>	Side scraper thickness H <sub>4</sub>
35	1	3	4	2
45	1	3.5	5.5	2.5
55	1.5	5.5	7.5	2.5
65	1.5	6	8.5	3

Note1) Those models equipped with QZ Lubricator cannot have a grease nipple. When desiring a grease nipple for a model attached with QZ, contact THK.

Note2) Contact THK if you want to use the protector with other options.

# Light-Resistance Contact Seal LiCS

- For the supported models, see the table of options by model number on [A1-478](#).
- For the LM block dimension (dimension L) with LiCS attached, see [A1-501](#).
- For the resistance of LiCS, see [A1-508](#).
- For notes regarding how to handle the LiCS, see [A1-553](#).

LiCS is a light sliding resistance contact seal. It is effective in removing dust on the raceway and retaining a lubricant such as grease. It achieves extremely low drag and smooth, stable motion.

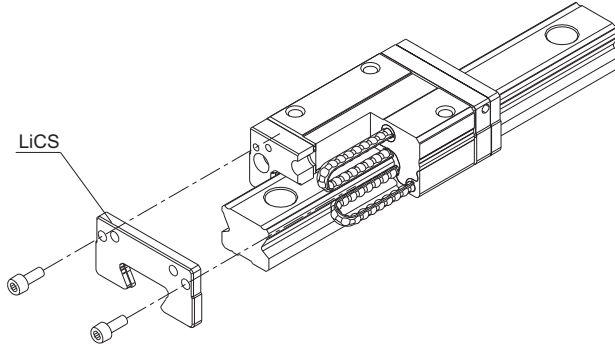


Fig.1 Structural Drawing of SSR + LiCS

## [Features]

Light-Resistance Contact Seal LiCS is a seal that uses a light-resistance material in its sealing element and contacts the LM rail raceway to achieve low drag resistance. It is optimal for applications where low drag resistance is required, such as semiconductor-related devices, inspection devices and OA equipment all of which are used in favorable environments.

- Since the sealing element contacts the LM rail raceway, it is effective in removing dust on the raceway.
- Use of oil-impregnated, expanded synthetic rubber, which has excellent self-lubricating property, achieves low drag resistance.

## Model number coding

<b>SSR20</b>	<b>XW</b>	<b>2</b>	<b>GG</b>	<b>C1</b>	<b>+600L</b>	<b>P</b>	<b>-II</b>
LM Guide model number	Type of LM block	No. of LM blocks used on the same rail	With LiCS seal on both ends	Radial clearance symbol Normal (No symbol) Light preload (C1) Medium preload (C0)	LM rail length (in mm)	Symbol for No. of rails used on the same plane	Accuracy symbol Normal grade (No Symbol) / High accuracy grade (H) Precision grade (P) / Super precision grade (SP) Ultra precision grade (UP)

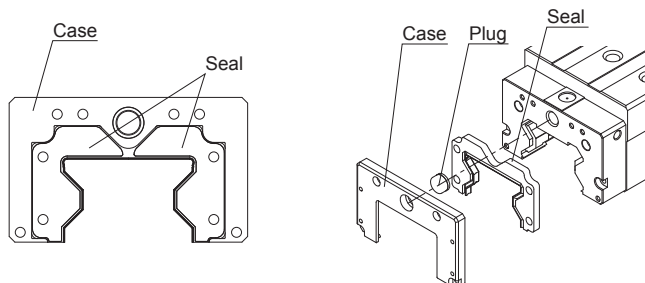
Symbol	Contamination Protection Accessories
GG	LiCS
PP	With LiCS + side seal + inner seal*

\* Some models are not equipped with inner seals. (See [A1-478](#))

# High Chemical Resistance Fluorine Seal FS

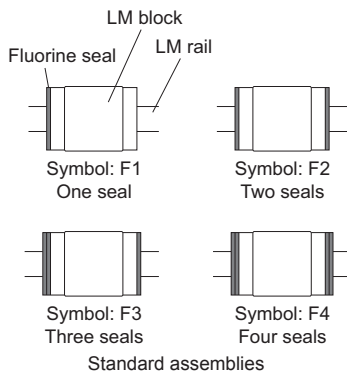
- Applicable models: models SRG35, SRG45, SRG55 and SRG65
- For the LM block dimension (L dimension) with a fluorine seal attached, see [A1-503](#).
- For the resistance value of the fluorine seal, see [A1-508](#).
- For precautions on using the fluorine seal, see [A1-553](#).

The fluorine seal is made of fluororubber and has excellent chemical resistance.  
The fluorine seal can be inserted from the upper surface of the LM rail and is easy to install.



Components/Structure

Symbol	Contamination Protection Accessories
F2	Fluorine seals + side seals + inner seals
FZ2	Fluorine seals + side seals + inner seals + metal scrapers
FJ2	Fluorine seals + side seals + inner seals + protectors
F4	Fluorine seals (double) + side seals + inner seals
FZ4	Fluorine seals (double) + side seals + inner seals + metal scrapers
FJ4	Fluorine seals (double) + side seals + inner seals + protectors
QZF2	Fluorine seals + side seals + inner seals + QZ
QZFZ2	Fluorine seals + side seals + inner seals + metal scrapers + QZ
QZPJ2	Fluorine seals + side seals + inner seals + QZ + protectors
QZF4	Fluorine seals (double) + side seals + inner seals + QZ
QZPJ4	Fluorine seals (double) + side seals + inner seals + metal scrapers + QZ
QZPJ4	Fluorine seals (double) + side seals + inner seals + QZ + protectors



## Model number coding

<When purchasing in a set with an LM Guide>

(Example) SRG45LR2QZ F2 C0 + 1200LZ-II

Fluorine seal symbol (see the standard assemblies diagram)

\*Contact THK if you require seals on individual blocks in configurations that differ from those in the standard assemblies diagram.

<When purchasing fluorine seals individually>

(Example) SRG45-F1-Z

Fluorine seal symbol (F1 only for individual purchase)

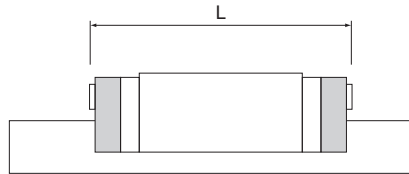
\*Individual purchases come in a set with the fluorine seal, a case, and a plug.

Note1) If this product will be used in special environments, such as in a vacuum or at very low or high temperatures, contact THK.

Note2) This seal cannot be used in combination with an end seal or a Laminated Contact Scraper (LaCS).

# Dimensions of Each Model with an Option Attached

## The LM Block Dimension (Dimension L) with LaCS and Seals Attached



Unit: mm

Model No.		L								
		UU	SS	DD	ZZ	KK	SSHH	DDHH	ZZHH	KKHH
SHS	15C/V/R	64.4	64.4	69.8	66.8	72.2	78.6	84	79.8	85.2
	15LC/LV	79.4	79.4	84.8	81.8	87.2	93.6	99	94.8	100.2
	20C/V	79	79	85.4	83	89.4	93.6	100	96	102.4
	20LC/LV	98	98	104.4	102	108.4	112.6	119	115	121.4
	25C/V/R	92	92	101.6	100.4	107.6	112	119.2	114.4	121.6
	25LC/LV/LR	109	109	118.6	117.4	124.6	129	136.2	131.4	138.6
	30C/V/R	106	106	116	113.8	122.4	129.4	138	131.8	140.4
	30LC/LV/LR	131	131	141	138.8	147.4	154.4	163	156.8	165.4
	35C/V/R	122	122	134.8	132.4	142.2	148	157.8	150.4	160.2
	35LC/LV/LR	152	152	164.8	162.4	172.2	178	187.8	180.4	190.2
	45C/V/R	140	140	152.8	151.2	161	169	178.8	172.2	182
	45LC/LV/LR	174	174	186.8	185.2	195	203	212.8	206.2	216
	55C/V/R	171	171	186.6	184.2	195.4	202	213.2	205.2	216.4
	55LC/LV/LR	213	213	228.6	226.2	237.4	244	255.2	247.2	258.4
65C/V	221	221	238.6	236.2	248.6	258	270.4	261.2	273.6	
65LC/LV	272	272	289.6	287.2	299.6	309	321.4	312.2	324.6	
SSR	15XVY/XSBY	40.3	40.3	47.3	44.9	50.7	59.5	65.3	60.7	66.5
	15XWY/XTBY	56.9	56.9	63.9	61.5	67.3	76.1	81.9	77.3	83.1
	20XV/XSB	47.7	47.7	54.6	53.4	60.3	67.7	74.6	70.1	77
	20XW/XTB	66.5	66.5	73.4	72.2	79.1	86.5	93.4	88.9	95.8
	25XVY/XSBY	60	60	67.4	65.7	73.1	80	87.4	82.4	89.8
	25XWY/XTBY	83	83	90.4	88.7	96.1	103	110.4	105.4	112.8
	30XV/XSB	66.7	66.7	74.8	72.4	80.5	90.7	98.8	93.1	101.2
	30XW/XTB	97	97	105.1	102.7	110.8	121	129.1	123.4	131.5
	35XV/XSB	77.5	77.5	86.5	84.3	93.3	103.5	112.5	105.9	114.9
	35XW/XTB	110.9	110.9	119.9	117.7	126.7	136.9	145.9	139.3	148.3
SHW	12CAM/CRM	37	37	—	—	—	48	—	—	—
	12HRM	50.4	50.4	—	—	—	61.4	—	—	—
	14CAM/CRM	45.5	45.5	—	—	—	60.7	—	—	—
	17CAM/CRM	51	51	54	53.4	56.4	66.2	69.2	67.4	70.4
	21CA/CR	59	59	64	63.2	68.2	75.6	80.6	77.2	82.2
	27CA/CR	72.8	72.8	78.6	77.8	83.6	89.4	95.2	91.8	97.6
	35CA/CR	107	107	114.4	112	119.4	129	136.4	131.4	138.8
50CA/CR	141	141	149.2	147.4	155.6	166	174.2	168.4	176.6	

Unit: mm

Model No.		L								
		UU	SS	DD	ZZ	KK	SSHH	DDHH	ZZHH	KKHH
SRS	5M	16.9	—	—	—	—	—	—	—	—
	5N	20.1	—	—	—	—	—	—	—	—
	5WM	22.1	—	—	—	—	—	—	—	—
	5WN	28.1	—	—	—	—	—	—	—	—
	7S	19	19	—	—	—	—	—	—	—
	7M	23.4	23.4	—	—	—	—	—	—	—
	7N	31	31	—	—	—	—	—	—	—
	7WS	22.5	22.5	—	—	—	—	—	—	—
	7WM	31	31	—	—	—	—	—	—	—
	7WN	40.9	40.9	—	—	—	—	—	—	—
	9XS	21.5	21.5	—	—	—	33.1	—	—	—
	9XM	30.8	30.8	—	—	—	42.4	—	—	—
	9XN	40.8	40.8	—	—	—	52.4	—	—	—
	9WS	26.5	26.5	—	—	—	38.1	—	—	—
	9WM	39	39	—	—	—	50.6	—	—	—
	9WN	50.7	50.7	—	—	—	62.3	—	—	—
	12S	25	25	—	—	—	36.6	—	—	—
	12M	34.4	34.4	—	—	—	46	—	—	—
	12N	47.1	47.1	—	—	—	58.7	—	—	—
	12WS	30.5	30.5	—	—	—	42.1	—	—	—
	12WM	44.5	44.5	—	—	—	56.1	—	—	—
	12WN	59.5	59.5	—	—	—	71.1	—	—	—
	15S	32	32	—	—	—	46.2	—	—	—
	15M	43	43	—	—	—	57.2	—	—	—
	15N	60.8	60.8	—	—	—	75	—	—	—
15WS	41.5	41.5	—	—	—	55.7	—	—	—	
15WM	55.5	55.5	—	—	—	69.7	—	—	—	
15WN	74.5	74.5	—	—	—	88.7	—	—	—	
20M	50	50	—	—	—	65.2	—	—	—	
25M	77	77	—	—	—	92.6	—	—	—	
SCR	15S	64.4	64.4	69.8	66.8	72.2	78.9	84.4	79.9	85.2
	20S	79	79	85.4	83	89.4	94	100	96	102.5
	20	98	98	104.4	102	108.4	113	119	115	121.5
	25	109	109	118.6	117.4	124.6	129	136.2	131.4	138.6
	30	131	131	141	138.8	147.4	154.4	163	156.8	165.4
	35	152	152	164.8	162.4	172.2	178	187.8	180.4	190.2
	45	174	174	186.8	185.2	195	203	212.8	206.2	216
	65	272	272	289.6	287.2	299.6	309	321.4	312.2	324.6



## Dimensions of Each Model with an Option Attached

Unit: mm

Model No.		L								
		UU	SS	DD	ZZ	KK	SSHH	DDHH	ZZHH	KKHH
HSR	8RM	24	—	—	—	—	—	—	—	—
	10RM	31	—	—	—	—	—	—	—	—
	12RM	45	—	—	—	—	—	—	—	—
	15C/R/A/B/YR	56.6	56.6	61.8	58.2*	63.4*	76	81.2	77.2	82.4
	15LC/LR	74.6	74.6	79.8	76.2	81.4	94	99.2	95.2	100.4
	20C/R/A/B/CA/CB/YR	74	74	80.6	76.6	83.2	92	98.6	95.2	101.8
	20LC/LR/LA/LB/HA/HB	90	90	96.6	92.6	99.2	108	114.6	111.2	117.8
	25C/R/A/B/CA/CB/YR	83.1	83.1	90.7	86.7	94.3	101	108.6	105.3	112.9
	25LC/LR/LA/LB/HA/HB	102.2	102.2	109.8	105.8	113.4	120.1	127.7	124.4	132
	30C/R/A/B/CA/CB/YR	98	98	105.6	101.6	109.2	119.9	127.5	124.2	131.8
	30LC/LR/LA/LB/HA/HB	120.6	120.6	128.2	124.2	131.8	142.5	150.1	146.8	154.4
	35C/R/A/B/CA/CB/YR	109.4	109.4	117	113	120.6	132.4	140	135.6	143.2
	35LC/LR/LA/LB/HA/HB	134.8	134.8	142.4	138.4	146	157.8	165.4	161	168.6
	45C/R/A/B/CA/CB/YR	139	139	146.2	144.2	151.4	168	175.2	171.2	178.4
	45LC/LR/LA/LB/HA/HB	170.8	170.8	178	176	183.2	199.8	207	203	210.2
	55C/R/A/B/CA/CB/YR	163	163	170.2	168.2	175.4	192.6	199.8	195.8	203
	55LC/LR/LA/LB/HA/HB	201.1	201.1	208.3	206.3	213.5	230.7	237.9	233.9	241.1
	65XC/XR/XCA/XCB/XYR	190.5	190.5	197.7	195.3	202.5	224.3	231.5	227.5	234.7
	65A/B/CA/CB/YR	186	186	193.2	191.2	198.4	223	229	225	232.2
	65XLC/XLR/XHA/XHB	250	250	257.2	254.8	262	283.8	291	287	294.2
65LA/LB/HA/HB	245.5	245.5	252.7	250.7	257.9	282.5	288.5	284.5	291.7	
85R/A/B/CA/CB/YR	245.6	245.6	252.8	252.4	259.6	278.8	286	283.4	290.6	
85LR/LA/LB/HA/HB	303	303	310.2	309.8	317	336.2	343.4	340.8	348	
100HR/HA/HB	334	334	—	—	—	—	—	—	—	
120HR/HA/HB	365	365	—	—	—	—	—	—	—	
150HR/HA/HB	396	396	—	—	—	—	—	—	—	
SR	15W/TB	57	57	62.2	58.4*	63.6*	—	—	—	—
	15V/SB	40.4	40.4	45.6	41.8*	47*	—	—	—	—
	20W/TB	66.2	66.2	72.8	70.6*	77.2*	—	—	—	—
	20V/SB	47.3	47.3	53.9	51.7*	58.3*	—	—	—	—
	25WY/TBY	83	83	90.6	87.4	95	—	—	—	—
	25VY/SBY	59.2	59.2	66.8	63.6	71.2	—	—	—	—
	30W/TB	96.8	96.8	104.4	99.4	107	—	—	—	—
	30V/SB	67.9	67.9	75.5	70.5	78.1	—	—	—	—
	35W/TB	111	111	118.6	113.6	121.2	—	—	—	—
	35V/SB	77.6	77.6	85.2	80.2	87.8	—	—	—	—
	45W/TB	126	126	134.6	129.4	138	—	—	—	—
	55W/TB	156	156	164.6	159.4	168	—	—	—	—
	70T	194.6	194.6	201.8	200.8	208	—	—	—	—
	85T	180	180	—	—	—	—	—	—	—
	100T	200	200	—	—	—	—	—	—	—
	120T	235	235	—	—	—	—	—	—	—
150T	280	280	—	—	—	—	—	—	—	

\* Grease nipple cannot be installed.

Unit: mm

Model No.		L								
		UU	SS	DD	ZZ	KK	SSHH	DDHH	ZZHH	KKHH
NR/ NRS	75R/A/B	218	218	229	226.6	237.6	—	—	—	—
	75LR/LA/LB	274	274	285	282.6	293.6	—	—	—	—
	85R/A/B	246.7	246.7	257.7	256.1	267.1	—	—	—	—
	85LR/LA/LB	302.8	302.8	313.8	312.2	323.2	—	—	—	—
	100R/A/B	286.2	286.2	297.8	295.6	307.2	—	—	—	—
	100LR/LA/LB	326.2	326.2	337.8	335.6	347.2	—	—	—	—
HRW	12LRM	37	37	—	—	—	—	—	—	—
	14LRM	45.5	45.5	—	—	—	—	—	—	—
	17CA/CR	50.8	—	54	53.6	58.6	—	—	—	—
	21CA/CR	58.8	—	64.2	62.8	69	—	—	—	—
	27CA/CR	72.8	72.8	79	75.6	81.8	—	—	—	—
	35CA/CR	106.6	106.6	113.8	112	119.2	—	—	—	—
	50CA/CR	140.5	140.5	147.7	143.3	150.5	—	—	—	—
	60CA	158.9	158.9	169.7	165.1	175.9	—	—	—	—
RSR/ RSR-W	2M	—	—	—	—	—	—	—	—	—
	2N	—	—	—	—	—	—	—	—	—
	3M	—	—	—	—	—	—	—	—	—
	3N	—	—	—	—	—	—	—	—	—
	3WM	14.9	—	—	—	—	—	—	—	—
	3WN	19.9	—	—	—	—	—	—	—	—
	14WVM	50	—	—	—	—	—	—	—	—

## Options

## Dimensions of Each Model with an Option Attached

Unit: mm

Model No.		L								
		UU	SS	DD	ZZ	KK	SSHH	DDHH	ZZHH	KKHH
HR	918	45	—	—	—	—	—	—	—	—
	1123	52	—	—	—	—	—	—	—	—
	1530	69	—	—	—	—	—	—	—	—
	2042	91.6	—	—	—	—	—	—	—	—
	2042T	110.7	—	—	—	—	—	—	—	—
	2555	121	—	—	—	—	—	—	—	—
	2555T	146.4	—	—	—	—	—	—	—	—
	3065	145	—	—	—	—	—	—	—	—
	3065T	173.5	—	—	—	—	—	—	—	—
	3575	154.8	—	—	—	—	—	—	—	—
	3575T	182.5	—	—	—	—	—	—	—	—
	4085	177.8	—	—	—	—	—	—	—	—
	4085T	215.9	—	—	—	—	—	—	—	—
	50105	227	—	—	—	—	—	—	—	—
50105T	274.5	—	—	—	—	—	—	—	—	
60125	329	—	—	—	—	—	—	—	—	
GSR	15T	59.8	59.8	65*	65.8*	71*	—	—	—	—
	15V	47.1	47.1	52.3*	53.1*	58.3*	—	—	—	—
	20T	74	74	80.6	77.6	84.2	—	—	—	—
	20V	58.1	58.1	64.7	61.7	68.3	—	—	—	—
	25T	88	88	95	91.6	98.6	—	—	—	—
	25V	69	69	76	72.6	79.6	—	—	—	—
	30T	103	103	110.6	107.2	114.8	—	—	—	—
	35T	117	117	124.6	121.2	128.8	—	—	—	—
GSR-R	25T-R	88	88	95	91.6	98.6	—	—	—	—
	25V-R	69	69	76	72.6	79.6	—	—	—	—
	30T-R	103	103	110.6	107.2	114.8	—	—	—	—
	35T-R	117	117	124.6	121.2	128.8	—	—	—	—
CSR	15	56.6	56.6	61.8	58.2*	63.4*	—	—	—	—
	20S	74	74	80.6	76.6	83.2	—	—	—	—
	20	90	90	96.6	92.6	99.2	—	—	—	—
	25S	83.1	83.1	90.7	86.7	94.3	—	—	—	—
	25	102.2	102.2	109.8	105.8	113.4	—	—	—	—
	30S	98	98	105.6	101.6	109.2	—	—	—	—
	30	120.6	120.6	128.2	124.2	131.8	—	—	—	—
	35	134.8	134.8	142.4	138.4	146	—	—	—	—
	45	170.8	170.8	178	176	183.2	—	—	—	—
MX	5M	23.3	—	—	—	—	—	—	—	—
	7WM	40.8	—	—	—	—	—	—	—	—
JR	25A/B/R	83.1	83.1	90.7	89.4	97	—	—	—	—
	35A/B/R	113.6	113.6	125.6	122	134	—	—	—	—
	45A/B/R	145	145	159	150.8	164.8	—	—	—	—
	55A/B/R	165	165	175.4	170.4	180.8	—	—	—	—

\* Grease nipple cannot be installed.

Unit: mm

Model No.		L								
		UU	SS	DD	ZZ	KK	SSHH	DDHH	ZZHH	KKHH
HCR	12A+60/100R	44.6	—	—	—	—	—	—	—	—
	15A+60/150R	54.5	54.5	59.7	—	—	—	—	—	—
	15A+60/300R	55.5	55.5	60.7	57.1*	62.3*	—	—	—	—
	15A+60/400R	55.8	55.8	61	57.3*	62.5*	—	—	—	—
	25A+60/500R	81.6	81.6	89.2	85.5	93.1	—	—	—	—
	25A+60/750R	82.3	82.3	89.9	86	93.6	—	—	—	—
	25A+60/1000R	82.5	82.5	90.1	86.2	93.8	—	—	—	—
	35A+60/600R	107.2	107.2	114.8	111.2	118.8	—	—	—	—
	35A+60/800R	107.5	107.5	115.1	111.5	119.1	—	—	—	—
	35A+60/1000R	108.2	108.2	115.8	112	119.6	—	—	—	—
	35A+60/1300R	108.5	108.5	116.1	112.3	119.8	—	—	—	—
	45A+60/800R	136.7	136.7	143.9	142.1	149.2	—	—	—	—
	45A+60/1000R	137.3	137.3	144.5	142.7	149.9	—	—	—	—
	45A+60/1200R	137.3	137.3	144.5	142.7	149.9	—	—	—	—
	45A+60/1600R	138	138	145.2	143.3	150.5	—	—	—	—
	65A+60/1000R	193.8	193.8	201	199.4	206.6	—	—	—	—
	65A+60/1500R	195.4	195.4	202.6	200.8	208	—	—	—	—
65A+45/2000R	195.9	195.9	203.1	201.3	208.5	—	—	—	—	
65A+45/2500R	196.5	196.5	203.7	201.8	209	—	—	—	—	
65A+30/3000R	196.5	196.5	203.7	201.8	209	—	—	—	—	
HMG	15A	48	—	—	—	—	—	—	—	—
	25A	62.2	—	—	—	—	—	—	—	—
	35A	80.6	—	—	—	—	—	—	—	—
	45A	107.6	—	—	—	—	—	—	—	—
	65A	144.4	—	—	—	—	—	—	—	—
NSR-TBC	20TBC	67	—	—	—	—	—	—	—	—
	25TBC	78	—	—	—	—	—	—	—	—
	30TBC	90	—	—	—	—	—	—	—	—
	40TBC	110	110	—	—	—	—	—	—	—
	50TBC	123	123	—	—	—	—	—	—	—
	70TBC	150	150	—	—	—	—	—	—	—
HSR-M1	15M1A/M1B/M1R/M1YR	59.6	59.6	—	—	—	—	—	—	—
	20M1A/M1B/M1R/M1YR	76	76	—	—	—	—	—	—	—
	20M1LA/M1LB/M1LR	92	92	—	—	—	—	—	—	—
	25M1A/M1B/M1R/M1YR	83.9	83.9	—	—	—	—	—	—	—
	25M1LA/M1LB/M1LR	103	103	—	—	—	—	—	—	—
	30M1A/M1B/M1R/M1YR	98.8	98.8	—	—	—	—	—	—	—
	30M1LA/M1LB/M1LR	121.4	121.4	—	—	—	—	—	—	—
	35M1A/M1B/M1R/M1YR	112	112	—	—	—	—	—	—	—
35M1LA/M1LB/M1LR	137.4	137.4	—	—	—	—	—	—	—	
SR-M1	15M1W/M1TB	57	57	—	—	—	—	—	—	—
	15M1V/M1SB	40.4	40.4	—	—	—	—	—	—	—
	20M1W/M1TB	66.2	66.2	—	—	—	—	—	—	—
	20M1V/M1SB	47.3	47.3	—	—	—	—	—	—	—
	25M1W/M1TB	83	83	—	—	—	—	—	—	—
	25M1V/M1SB	59.2	59.2	—	—	—	—	—	—	—

\* Grease nipple cannot be installed.

## Options

## Dimensions of Each Model with an Option Attached

Unit: mm

Model No.		L								
		UU	SS	DD	ZZ	KK	SSHH	DDHH	ZZHH	KKHH
SR-M1	30M1W/M1TB	96.8	96.8	—	—	—	—	—	—	—
	30M1V/M1SB	67.9	67.9	—	—	—	—	—	—	—
	35M1W/M1TB	111	111	—	—	—	—	—	—	—
	35M1V/M1SB	77.6	77.6	—	—	—	—	—	—	—
RSR-M1	9M1K	30.8	—	—	—	—	—	—	—	—
	9M1N	41	—	—	—	—	—	—	—	—
	9M1WV	39	—	—	—	—	—	—	—	—
	9M1WN	50.7	—	—	—	—	—	—	—	—
	12M1V	35	—	—	—	—	—	—	—	—
	12M1N	47.7	—	—	—	—	—	—	—	—
	12M1WV	44.5	—	—	—	—	—	—	—	—
	12M1WN	59.5	—	—	—	—	—	—	—	—
	15M1V	43	—	—	—	—	—	—	—	—
	15M1N	61	—	—	—	—	—	—	—	—
	15M1WV	55.5	—	—	—	—	—	—	—	—
	15M1WN	74.5	—	—	—	—	—	—	—	—
	20M1V	66.5	—	—	—	—	—	—	—	—
20M1N	86.3	—	—	—	—	—	—	—	—	
HSR-M2	15M2A	56.6	56.6	—	—	—	—	—	—	—
	20M2A	74	74	—	—	—	—	—	—	—
	25M2A	83.1	83.1	—	—	—	—	—	—	—
SRN	35C/R	125	125	132.8	131.4	139.2	148.6	156.4	151	158.8
	35LC/LR	155	155	162.8	161.4	169.2	178.6	186.4	181	188.8
	35SLC/SLR	180.8	180.8	188.6	186.5	194.3	204.4	212.2	206.8	214.6
	45C/R	155	155	164.2	162.2	171.4	182	191.2	185.2	194.4
	45LC/LR	190	190	199.2	197.2	206.4	217	226.2	220.2	229.4
	45SLC/SLR	231.5	231.5	240.7	238	247.2	258.5	267.7	261.7	270.9
	55C/R	185	185	194.2	192.2	201.4	212	221.2	215.2	224.4
	55LC/LR	235	235	244.2	242.2	251.4	262	271.2	265.2	274.4
	55SLC/SLR	292	292	301.2	298.5	307.7	319	328.2	322.2	331.4
	65C/R	244.9	244.9	256.1	252.5	263.7	277.3	288.5	280.5	291.7
	65LC/LR	303	303	314.2	311.4	322.6	335.4	346.6	338.6	349.8
65SLC/SLR	380	380	391.2	387.6	398.8	412.4	423.6	415.6	426.8	
SRW	70LR	190	190	199.2	197.2	206.4	217	226.2	220.2	229.4
	85LR	235	235	244.2	242.2	251.4	262	271.2	265.2	274.4
	100LR	303	303	314.2	311.4	322.6	335.4	346.6	338.6	349.8
	130LR	350	350	361.2	361	372.2	—	—	—	—
	150LR	395	395	406.2	411	422.2	—	—	—	—

Unit: mm

Model No.		L										
		UU	SS	DD	ZZ	KK	SSHH	DDHH	ZZHH	KKHH	JJHH	TTHH
SVR/ SVS NR-X/ NRS-X	25R/C	82.8	82.8	88	89.2	94.4	96.8*	102.0*	—	—	102.5*	107.7*
	25LR/LC	102	102	107.2	108.4	113.6	116.0*	121.2*	—	—	121.7*	126.9*
	30R/C	98	98	104.6	104.4	111	115.2*	121.8*	—	—	120.9*	127.5*
	30LR/LC	120.5	120.5	127.1	126.9	133.5	137.7*	144.3*	—	—	143.4*	150.0*
	35R/C/RH/CH	109.5	109.5	116.5	117.1	124.1	126.7*	133.7*	—	—	133.5*	140.5*
	35LR/LC/LRH/LCH	135	135	142	142.6	149.6	152.2*	159.2*	—	—	159.0*	166.0*
	45R/C/RH/CH	138.2	138.2	145.2	146.6	153.6	158.2*	165.2*	—	—	165.8*	172.8*
	45LR/LC/LRH/LCH	171	171	178	179.4	186.4	191.0*	198.0*	—	—	198.6*	205.6*
	55R/C/RH/CH	163.3	163.3	168.4	169.8	176.8	182.4*	189.4*	—	—	191.1*	198.1*
	55LR/LC/LRH/LCH	200.5	200.5	205.6	207	214	219.6*	226.6*	—	—	228.3*	235.3*
	65R/C	186	186	191.8	194.2	201.6	208.8*	216.2*	—	—	217.5*	224.9*
	65LR/LC	246	246	251.8	254.2	261.6	268.8*	276.2*	—	—	277.5*	284.9*
SRG	15A/V	69.2	69.2	71.2	—	—	—	—	—	—	—	—
	20A/V	86.2	86.2	88.2	89.6	91.6	105.2*	107.2*	107.6*	109.6*	—	—
	20LA/LV	106.2	106.2	108.2	109.6	111.6	125.2*	127.2*	127.6*	129.6*	—	—
	25C/R	95.5	95.5	100.5	100.5	105.5	115.3*	120.3*	117.7*	122.7*	—	—
	25LC/LR	115.1	115.1	120.1	120.1	125.1	134.9*	139.9*	137.3*	142.3*	—	—
	30C/R	111	111	118	116	123	130.8*	137.8*	133.2*	140.2*	—	—
	30LC/LR	135	135	142	140	147	154.8*	161.8*	157.2*	164.2*	—	—
	35C/R	125	125	132.8	130.7	138.5	142.6*	150.4*	151*	158.8*	150.8*	158.6*
	35LC/LR	155	155	162.8	160.7	168.5	172.6*	180.4*	181*	188.8*	180.8*	188.6*
	35SLC/SLR	180.8	180.8	188.6	186.5	194.3	198.4*	206.2*	206.8*	214.6*	206.6*	214.4*
	45C/R	155	155	164.2	161.5	170.7	175.6*	184.8*	184.8*	194*	184.6*	193.8*
	45LC/LR	190	190	199.2	196.5	205.7	210.6*	219.8*	219.8*	229*	219.6*	228.8*
	45SLC/SLR	231.5	231.5	240.7	238	247.2	252.1*	261.3*	261.3*	270.5*	261.1*	270.3*
	55C/R	185	185	194.2	191.5	200.7	205.6*	214.8*	214.8*	224*	214.6*	223.8*
	55LC/LR	235	235	244.2	241.5	250.7	255.6*	264.8*	264.8*	274*	264.6*	273.8*
	55SLC/SLR	292	292	301.2	298.5	307.7	312.6*	321.8*	321.8*	331*	321.6*	330.8*
	65C/V	244.9	244.9	256.1	252.5	263.7	268.9*	280.1*	280.1*	291.3*	279.9*	291.1*
	65LC/LV	303	303	314.2	310.6	321.8	327*	338.2*	338.2*	349.4*	338*	349.2*
65SLC/SLV	380	380	391.2	387.6	398.8	404*	415.2*	415.2*	426.4*	415*	426.2*	
85LC	350	350	361.2	361	372.2	—	—	—	—	—	—	
100LC	395	395	406.2	411	422.2	—	—	—	—	—	—	

\* The overall LM block length (L) of YY type (with side scraper) is also the same.

Note1) The standard overall length may include the dimension of the end seal depending on the model. If you are considering using a type without an end seal, contact THK for details.

Note2) It is recommended to use a protector with models SVR/SVS, NR/NRS-X, and SRG. Please contact THK regarding the dimensions for ZZHH and KKHH. See **A1-516** for details regarding the codes for the various options.

### Model number coding

**SHS25 LC 2 QZ KKHH C0 +1200L P Z T -II**

Model number

Type of LM block

With QZ Lubricator (\*1)

Contamination protection accessory symbol (\*2)

LM rail length (in mm)

Radial clearance symbol (\*3)  
Normal (No symbol)  
Light preload (C1)  
Medium preload (C0)

With steel tape  
Symbol for LM rail jointed use

Accuracy symbol (\*4)  
Normal grade (No Symbol)  
High accuracy grade (H)  
Precision grade (P)/Super precision grade (SP)  
Ultra precision grade (UP)

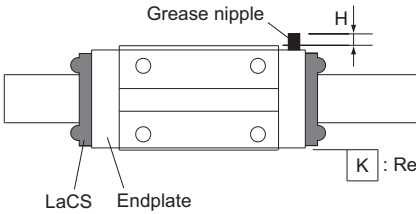
Symbol for No. of rails used on the same plane (\*5)

(\*1) See **A1-509**. (\*2) See **A1-516**. (\*3) See **A1-71**. (\*4) See **A1-76**. (\*5) See **A1-13**.

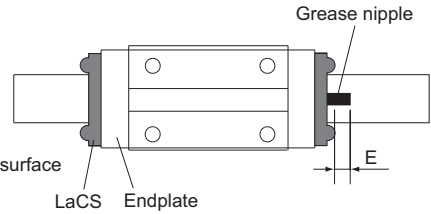
Note) This model number indicates that a single-rail unit constitutes one set. (i.e., required number of sets when 2 rails are used in parallel is 2 at a minimum.)

Those models equipped with QZ Lubricator cannot have a grease nipple.

## Incremental Dimension with Grease Nipple (When LaCS is Attached)



Grease nipple mounting location  
for models SHS, SSR, SVR/SVS, SRG and NR/NRS-X



Grease nipple mounting location  
for models SHW, SRS and HSR

Unit: mm

Model No.		Incremental dimension with grease nipple H	Nipple type
SHS	15C/LC	—	PB107
	15R/V/LV	4.7	PB107
	20C/LC	—	PB107
	20V/LV	4.5	PB107
	25C/LC	—	PB107
	25R/LR/V/LV	4.7	PB107
	30C/LC	—	A-M6F
	30R/LR/V/LV	7.4	A-M6F
	35C/LC	—	A-M6F
	35R/LR/V/LV	7.4	A-M6F
	45C/LC	—	A-M6F
	45R/LR/V/LV	7.7	A-M6F
	55C/LC	—	A-M6F
	55R/LR/V/LV	7.4	A-M6F
	65C/LC	—	A-M6F
65V/LV	6.9	A-M6F	
SSR	15XVY/XWY	4.4	PB107
	15XTBY/XSBY	—	PB107
	20XV/XW	4.6	PB107
	20XTB/XSB	—	PB107
	25XVY/XWY	4.5	PB107
	25XTBY/XSBY	—	PB107
	30XV/XW	5	PB1021B
	30XTB/XSB	—	PB1021B
	35XV/XW	5	PB1021B
	35XTB/XSB	—	PB1021B
SVR/SVS NR-X/ NRS-X*	25R/LR	5.5	PB1021B
	30R/LR	5.5	PB1021B
	35R/LR/RH/LRH	9	A-M6F
	45R/LR/RH/LRH	9	A-M6F
	55R/LR/RH/LRH	9	A-M6F
	65R/LR	12	A-PT1/8

Unit: mm

Model No.		Incremental dimension with grease nipple H	Nipple type
SRG	35LC	—	A-M6F
	35LR	7.2	A-M6F
	45LC	—	A-M6F
	45LR	7.2	A-M6F
	55LC	—	A-M6F
	55LR	7.2	A-M6F
	65LC	—	A-M6F
	65LR	6.2	A-M6F

\* The incremental dimension of the grease nipple when the side scraper and the protector are attached (SVR/SVS and SRG only) is also the same.

Unit: mm

Model No.		Incremental dimension with grease nipple E	Nipple type
SHW	21CA/CR	4.2	PB1021B
	27CA/CR	10.7	B-M6F
	35CA/CR	10	B-M6F
	50CA/CR	21	B-PT1/8
	SRS	25	4
HSR	15A/B/R/YR	2.9	PB1021B
	15LC/LR	2.9	PB1021B
	20A/B/R/CA/CB/YR	9.4	B-M6F
	20LA/LB/LR/HA/HB	9.4	B-M6F
	25A/B/R/CA/CB/YR	9	B-M6F
	25LA/LB/LR/HA/HB	9	B-M6F
	30A/B/R/CA/CB/YR	9	B-M6F
	30LA/LB/LR/HA/HB	9	B-M6F
	35A/B/R/CA/CB/YR	8	B-M6F
	35LA/LB/LR/HA/HB	8	B-M6F

Note1) When desiring the mounting location for the grease nipple other than the above, contact THK.

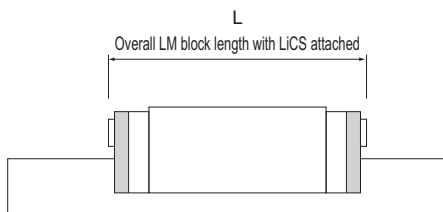
Note2) Those models equipped with QZ Lubricator cannot have a grease nipple. When desiring both QZ Lubricator and a grease nipple, contact THK.

Note3) When desiring a grease nipple for model SHW or SRS without QZ Lubricator, indicate "with grease nipple" when placing an order. (If not, a grease nipple will not be attached.)

Note4) Model HSR15 attached with ZZ or KK cannot have a grease nipple. Contact THK for details.



## LM Block Dimension (Dimension L) with LiCS Attached



Unit: mm

Model No.		L	
		GG	PP
SSR	15XVY/XSBY	48.7	48.7
	15XWY/XTBY	65.3	65.3
	20XV/XSB	55.8	55.8
	20XW/XTB	74.6	74.6
	25XVY/XSBY	67.6	67.6
	25XWY/XTBY	90.6	90.6
	30XV/XSB	76.4	76.4
	30XW/XTB	106.7	106.7
	35XV/XSB	88.3	88.3
	35XW/XTB	121.7	121.7
SRG	15A	77	77
	15V	77	77

### Model number coding

**SSR20 XW 2 GG C1 +600L P T -II**

Model number

Type of LM block

No. of LM blocks used on the same rail

With LiCS (\*1)

LM rail length (in mm)

Radial clearance symbol (\*2)  
Normal (No symbol)  
Light preload (C1)  
Medium preload (C0)

Symbol for LM rail jointed use

Accuracy symbol (\*3)

Normal grade (No Symbol)/High accuracy grade (H)  
Precision grade (P) /Super precision grade (SP)  
Ultra precision grade (UP)

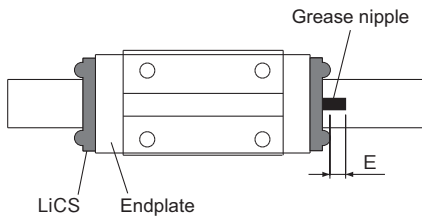
Symbol for No. of rails used on the same plane (\*4)

(\*1) See [A1-489](#) (\*2) See [A1-71](#) (\*3) See [A1-76](#) (\*4) See [A1-13](#)

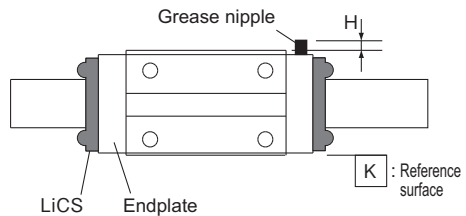
Note) This model number indicates that a single-rail unit constitutes one set. (i.e., required number of sets when 2 rails are used in parallel is 2 at a minimum.)

Those models equipped with QZ Lubricator cannot have a grease nipple.

## Incremental Dimension with Grease Nipple (When LiCS is Attached)



Model SSR  
Location for mounting the grease nipple



Model SRG  
Location for mounting the grease nipple

Unit: mm

Model No.		Incremental dimension with grease nipple		Nipple type
		E	H	
SSR	15XVY	2.9	—	PB1021B
	15XWY/XTBY	2.9	—	PB1021B
	20XV	9	—	B-M6F
	20XW/XTB	9	—	B-M6F
	25XVY	9	—	B-M6F
	25XWY/XTBY	9	—	B-M6F
	30XV/XW	9	—	B-M6F
	30XTB/XSB	9	—	B-M6F
	35XV/XW	8	—	B-M6F
35XTB/XSB	8	—	B-M6F	
SRG	15A	—	—*	PB107
	15V	—	4.5	PB107

\* Because this model features a flange, it projects beyond the block end surface.

### Model number coding

**SSR20 XW 2 GG C1 +600L H -II**

Model number

Type of LM block

With LiCS (\*1)

LM rail length (in mm)

Symbol for No. of rails used on the same plane (\*4)

No. of LM blocks used on the same rail

Radial clearance symbol (\*2)  
Normal (No symbol)  
Light preload (C1)  
Medium preload (C0)

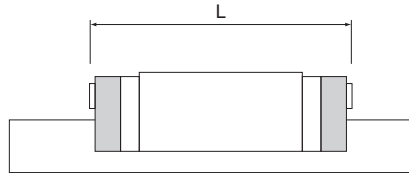
Accuracy symbol (\*3)  
Normal grade (No Symbol)  
High accuracy grade (H)/Precision grade (P)  
Super precision grade (SP)/Ultra precision grade (UP)

(\*1) See **A1-489** (\*2) See **A1-71** (\*3) See **A1-76** (\*4) See **A1-13**

Note) This model number indicates that a single-rail unit constitutes one set. (i.e., required number of sets when 2 rails are used in parallel is 2 at a minimum.)

Those models equipped with QZ Lubricator cannot have a grease nipple.

## Overall block length with fluorine seals and other accessories attached



Unit: mm

Model No.		L					
		F2	F4	FZ2	FZ4	FJ2	FJ4
		Fluorine seals	Fluorine seals (double)	Fluorine seals + metal scrapers	Fluorine seals (double) + metal scrapers	Fluorine seals + protectors	Fluorine seals (double) + protectors
SRG	35C/R	129	140.8	137.4	149.2	137.4	149.2
	35LC/LR	159	170.8	167.4	179.2	167.4	179.2
	35SLC/SLR	184.8	196.6	193.2	205	193.2	205
	45C/R	159	172.2	168.2	181.4	168	181.2
	45LC/LR	194	207.2	203.2	216.4	203	216.2
	45SLC/SLR	235.5	248.7	244.7	257.9	244.5	257.7
	55C/R	189	202.2	198.2	211.4	198	211.2
	55LC/LR	239	252.2	248.2	261.4	248	261.2
	55SLC/SLR	296	309.2	305.2	318.4	305	318.2
	65C/V	249.3	264.9	260.5	276.1	260.3	275.9
	65LC/LV	307.4	323	318.6	334.2	318.4	334
65SLC/SLV	384.4	400	395.6	411.2	395.4	411	

Model No.		L					
		QZF2	QZF4	QZFZ2	QZFZ4	QZFJ2	QZFJ4
		QZ + fluorine seals	QZ + fluorine seals (double)	QZ + fluorine seals + metal scrapers	QZ + fluorine seals (double) + metal scrapers	QZ + fluorine seals + protectors	QZ + fluorine seals (double) + protectors
SRG	35C/R	159	170.8	167.4	179.2	167.4	179.2
	35LC/LR	189	200.8	197.4	209.2	197.4	209.2
	35SLC/SLR	214.8	226.6	223.2	235	223.2	235
	45C/R	189	202.2	198.2	211.4	198	211.2
	45LC/LR	224	237.2	233.2	246.4	233	246.2
	45SLC/SLR	265.5	278.7	274.7	287.9	274.5	287.7
	55C/R	229	242.2	238.2	251.4	238	251.2
	55LC/LR	279	292.2	288.2	301.4	288	301.2
	55SLC/SLR	336	349.2	345.2	358.4	345	358.2
	65C/V	289.3	304.9	300.5	316.1	300.3	315.9
	65LC/LV	347.4	363	358.6	374.2	358.4	374
65SLC/SLV	424.4	440	435.6	451.2	435.4	451	

## Maximum Seal Resistance

This shows the maximum resistance value of the seals per LM block with a lubricant applied.

Unit: N

Unit: N

Model No.		Seal symbol	Maximum Seal Resistance
SHS	15	SS	4.5
	20		7.0
	25		10.5
	30		17.0
	35		20.5
	45		30.0
	55		31.5
	65		43.0
SSR	15X	UU	2.0
	20X		2.6
	25X		3.5
	30X		4.9
	35X		6.3
SVR/SVS	25	SS	10
	30		14
	35		18
	45		22
	55		26
	65		31
SHW	12CA/CR	UU	1.0
	12HR		1.0
	14		1.2
	17		1.4
	21		4.9
	27		4.9
	35		9.8
	50		14.7
	12CA/CR	SS	1.4
	12HR		1.8
	14		1.8
	17		2.2
	21		6.9
	27		8.9
	35		15.8
	50		22.7

Model No.		Seal symbol	Maximum Seal Resistance
SRS	5M/5N	UU	0.06
	5WM/5WN		0.08
	7S	SS	0.14
	7M		0.16
	7N		0.19
	7WS		0.48
	7WM		0.52
	7WN		0.55
	9XS		0.15
	9XM		0.2
	9XN		0.25
	9WS		0.89
	9WM	0.95	
	9WN	1	
	12S	0.49	
	12M	0.55	
	12N	0.6	
	12WS	1.21	
	12WM	1.3	
	12WN	1.35	
15S	0.92		
15M	1		
15N	1.1		
15WS	1.45		
15WM	1.55		
15WN	1.6		
20M	1.25		
25M	1.6		
SCR	15	UU	2.5
	20		3
	25		5
	30		10
	35		12
	45		20
	65		30

## Options

## Dimensions of Each Model with an Option Attached

Unit: N

Unit: N

Model No.		Seal symbol	Maximum Seal Resistance
HSR	8	UU	0.5
	10		0.8
	12		1.2
	15		2.0
	20		2.5
	25		3.9
	30		7.8
	35		11.8
	45		19.6
	55		19.6
	65		34.3
	85		34.3
SR	15	UU	2.5
	20		3.4
	25		4.4
	30		8.8
	35		11.8
	45		12.7
	55		15.7
	70		19.6
NR/NRS-X	25	SS	10
	30		14
	35		18
	45		22
	55		26
	65		31
NR/NRS	75	UU	42
	85		42
	100		51
HRW	12	UU	0.2
	14		0.3
	17		2.9
	21		4.9
	27		4.9
	35		9.8
	50		14.7
60	19.6		

Model No.		Seal symbol	Maximum Seal Resistance
RSR	14W	UU	1.2
HR	918	UU	0.5
	1123		0.7
	1530		1.0
	2042		2.0
	2555		2.9
	3065		3.4
	3575		3.9
	4085		4.4
	50105		5.9
			9.8
	60125		
GSR	15	UU	2.5
	20		3.1
	25		4.4
	30		6.3
	35		7.6
	25-R		4.4
	30-R		6.3
	35-R		7.6
CSR	15	UU	2.0
	20		2.5
	25		3.9
	30		7.8
	35		11.8
	45		19.6
MX	5	UU	0.06
	7W		0.4
JR	25	UU	3.9
	35		11.8
	45		19.6
	55		19.6
HCR	12	UU	1.2
	15		2.0
	25		3.9
	35		11.8
	45		19.6
	65		34.3

Unit: N

Model No.		Seal symbol	Maximum Seal Resistance
HMG	15	UU	3
	25		6
	35		8
	45		12
	65		40
NSR	20TBC	UU	4.9
	25TBC		4.9
	30TBC		6.9
	40TBC		9.8
	50TBC		14.7
	70TBC		24.5
HSR	15M1	UU	2.0
	20M1		2.5
	25M1		3.9
	30M1		7.8
	35M1		11.8
SR	15M1	UU	2.5
	20M1		3.4
	25M1		4.4
	30M1		8.8
	35M1		11.8
RSX	7	UU	0.08
	7W		0.4
	9		0.1
	9W		0.8
	12		0.4
	12W		1.1
	15		0.8
	15W		1.3
RSR	9M1	UU	0.1
	12M1		0.4
	15M1		0.8
	20M1		1.0
	9M1W		0.8
	12M1W		1.1
	15M1W		1.3
HSR	15M2	UU	2.0
	20M2		2.5
	25M2		3.9

Unit: N

Model No.		Seal symbol	Maximum Seal Resistance
SRG	15	SS	13
	20		18
	25		19
	30		22
	35		30
	45		30
	55		34
	65		40
	85		47
	100		53
SRN	35	SS	30
	45		30
	55		35
	65		40
SRW	70	SS	32
	85		37
	100		43
	130		50
	150		57

## Maximum resistance for LaCS

Unit: N

Model No.		Maximum resistance for LaCS
SHS	15	5.2
	20	6.5
	25	11.7
	30	18.2
	35	20.8
	45	26.0
	55	32.5
SSR	65	39.0
	15	5.9
	20	6.9
	25	8.1
	30	12.8
SVR/SVS NR/NRS-X	35	15.1
	25	8.1
	30	13.4
	35	15.5
	45	23.3
	55	28.6
NR/NRS	65	39.6
	85	52.7
SHW	12	2.6
	14	3.9
	17	3.9
	21	3.9
	27	6.5
	35	13.0
	50	19.5
SRS	9	2.3
	9W	3.3
	12	3.5
	12W	4.2

Unit: N

Model No.		Maximum resistance for LaCS
SRS	15	5.1
	15W	7.5
	20	5.2
	25	7.8
	15	5.2
SCR	20	6.5
	25	11.7
	30	18.2
	35	20.8
	45	26.0
HSR	65	39.0
	15	3.8
	20	5.6
	25	7.5
	30	14.9
SRG	35	22.4
	20	6.1
	25	6.9
	30	8.2
	35	9.1
SRN	45	14.3
	55	18.2
	65	26.0
	35	9.1
	45	14.3
SRW	55	18.2
	65	22.1
	70	32.8
	85	39.7
	100	58.3

Note1) Each resistance value in the table only consists of that of LaCS, and does not include sliding resistances of seals and other accessories.

Note2) For the maximum service speed of LaCS, contact THK.

Note3) HH type (with LaCS) for models SVR/SVS and SRG is provided with the protector (see **A1-487**).  
Contact THK if you want to use the Protector with other options.

## Maximum resistance for LiCS

Unit: N

Model No.		Maximum resistance for LiCS
SSR	15X	1
	20X	1.1
	25X	1.6
	30X	1.6
	35X	2
SRG	15	0.7

Note) The value indicates the sliding resistance of two LiCS units per LM block and does not include the sliding resistances of the LM block and the side seals.

## Maximum seal resistance of FS

Unit: N

Model No.		Seal symbol	Maximum Seal Resistance
SRG	35	Model F2	30
	45		30
	55		34
	65		40

Note) This is the sliding resistance of two fluorine seals and one inner seal on one LM block and excludes the sliding resistance of the block.

## Maximum resistance for the side scraper

Unit: N

Model No.		Maximum Resistance for the side scraper (KKHHYY/TTHHYY Option)
SVR/ SVS NR/ NRS-X	25	4.4
	25L	5.2
	30	4.7
	30L	5.5
	35	4.6
	35L	5.5
	45	5.1
	45L	6.1
	55	5.3
	55L	6.3
	65	5.4
	65L	6.9

Unit: N

Model No.		Maximum Resistance for the side scraper (DDHHYY Option)
SRG	35	2.9
	35L	3.4
	35SL	3.9
	45	4.7
	45L	5.6
	45SL	6.8
	55	5.5
	55L	6.8
	55SL	8.3
	65	7.2
	65L	8.7
	65SL	10.9

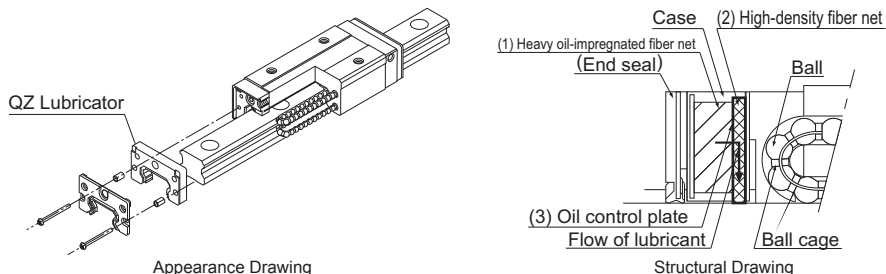


# QZ Lubricator

- For the supported models, see the table of options by model number on [A1-478](#).
- For the LM block dimension with QZ attached, see [A1-512](#) to [A1-515](#).
- For notes regarding how to handle the QZ, see [A1-552](#).

QZ Lubricator feeds the right amount of lubricant to the raceway on the LM rail. This allows an oil film to continuously be formed between the rolling element and the raceway, and drastically extends the lubrication and maintenance intervals.

The structure of QZ Lubricator consists of three major components: (1) a heavy oil-impregnated fiber net (function to store lubricant), (2) a high-density fiber net (function to apply lubricant to the raceway) and (3) an oil-control plate (function to adjust oil flow). The lubricant contained in QZ Lubricator is fed by the capillary phenomenon, which is used also in felt pens and many other products, as the fundamental principle.



## [Features]

- Since it supplements an oil loss, the lubrication maintenance interval can be significantly extended.
- Eco-friendly lubrication system that does not contaminate the surrounding area since it feeds the right amount of lubricant to the ball raceway.

Symbol	Contamination Protection Accessories
QZUU	With end seal + QZ
QZSS	With end seal + side seal + inner seal* <sup>1</sup> + QZ
QZDD	With double seals + side seal + inner seal* <sup>1</sup> + QZ
QZZZ	With end seal + side seal + inner seal* <sup>1</sup> + metal scraper + QZ
QZKK	With double seals + side seal + inner seal* <sup>1</sup> + metal scraper + QZ
QZGG	With LiCS + QZ
QZPP	With LiCS + side seal + inner seal* <sup>1</sup> + QZ
QZSSH	With end seal + side seal + inner seal* <sup>1</sup> + LaCS + QZ
QZDDH	With double seals + side seal + inner seal* <sup>1</sup> + LaCS + QZ
QZZZH	With end seal + side seal + inner seal* <sup>1</sup> + metal scraper + LaCS + QZ
QZKHH	With double seals + side seal + inner seal* <sup>1</sup> + metal scraper + LaCS + QZ
QZJHH* <sup>2</sup>	With end seal + side seal + inner seal* <sup>1</sup> + LaCS + QZ + protector (serving also as metal scraper)
QZTTH* <sup>2</sup>	With double seals + side seal + inner seal* <sup>1</sup> + LaCS + QZ + protector (serving also as metal scraper)

\*1 Some models are not equipped with inner seals. (See [A1-478](#))

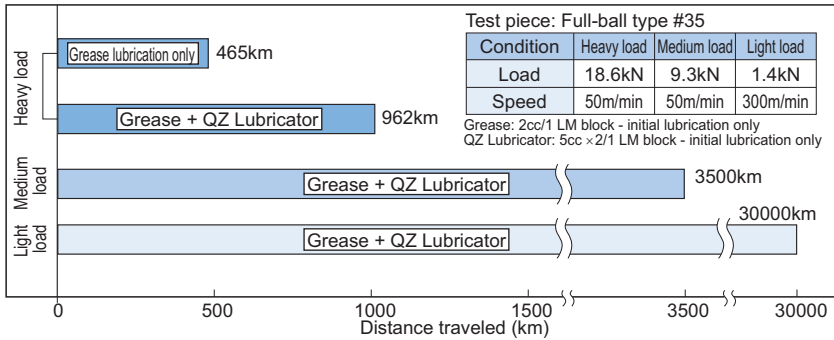
\*2 QZJHH and QZTTH are available only for models SVR/SVS, NR/NRS-X and SRG.

Note1) HH type (with LaCS) for models SVR/SVS, NR/NRS-X, and SRG comes with a protector (see [A1-487](#)). Contact THK if you want to use the Protector with other options.

Note2) Those models equipped with QZ Lubricator cannot have a grease nipple. When desiring a grease nipple for a model attached with QZ, contact THK.

### ● Significantly Extended Maintenance Interval

Attaching QZ Lubricator helps extend the maintenance interval throughout the whole load range from the light load area to the heavy load area.

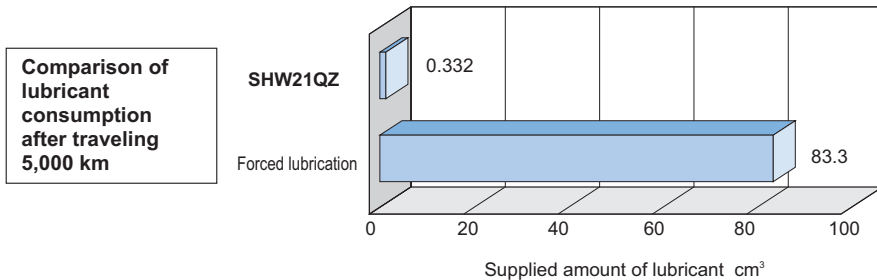


LM Guide Running Test without Replenishment of Lubricant

### ● Effective Use of Lubricant

Since the lubricator feeds the right amount of lubricant to the ball raceway, lubricant can be used efficiently.

[Test conditions] speed: 300 m/min



Amount of oil contained in QZ Lubricator  
 $0.166\text{cm}^3 / 2 \text{ units}$   
 (attached to both ends of the LM block)  
 $= 0.332\text{cm}^3$



Forced lubrication  
 $0.03\text{cm}^3 / 6\text{min} \times 16667\text{min}$   
 $= 83.3\text{cm}^3$

Lubricant consumption is 1/250 less than forced lubrication.

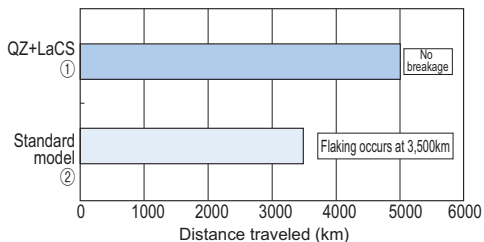
### ● Effective in Helping Lubrication under Severe Environments

A 5,000 km durability test was conducted under severe environments (containing coolant and contaminated environment).

[Test conditions]

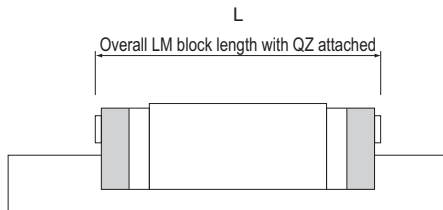
Model No.	① Caged Ball LM Guide #45	② Full-ball type #45
Load	8kN	6kN
Speed	60m/min	
Coolant	Immersed 48 hrs, dried 96 hrs	
Foreign material	Foundry dust (125 μm or less)	
Lubrication	AFA Grease + QZ	Super Multi 68 Oiling cycle: 0.1cc/shot Periodically lubricated every 16 min

[Test result]



\* When using the LM system under severe environment, use QZ Lubricator and Laminated Contact Scraper LaCS (see "Laminated Contact Scraper LaCS" on **A1-484**) in combination.

## LM Block Dimension (Dimension L) with QZ Attached



Unit: mm

Model No.		L								
		QZUU	QZSS	QZDD	QZZZ	QZKK	QZSSH	QZDDH	QZZZH	QZKHH
SHS	15C/V/R	84.4	84.4	89.8	86.8	92.2	100	105.4	101.2	106.6
	15LC/LV	99.4	99.4	104.8	101.8	107.2	115	120.4	116.2	121.6
	20C/V	99	99	105.4	103	109.4	115.4	121.8	117.8	124.2
	20LC/LV	118	118	124.4	122	128.4	134.4	140.8	136.8	143.2
	25C/V/R	114.4	114.4	121.6	120.4	127.6	132	139.2	134.4	141.6
	25LC/LV/LR	131.4	131.4	138.6	137.4	144.6	149	156.2	151.4	158.6
	30C/V/R	127.4	127.4	136	133.8	142.4	149.4	158	151.8	160.4
	30LC/LV/LR	152.4	152.4	161	158.8	167.4	174.4	183	176.8	185.4
	35C/V/R	145	145	154.8	152.4	162.2	168	177.8	170.4	180.2
	35LC/LV/LR	175	175	184.8	182.4	192.2	198	207.8	200.4	210.2
	45C/V/R	173	173	182.8	181.2	191	199	208.8	202.2	212
	45LC/LV/LR	207	207	216.8	215.2	225	233	242.8	236.2	246
	55C/V/R	205.4	205.4	216.6	214.2	225.4	232	243.2	235.2	246.4
	55LC/LV/LR	247.4	247.4	258.6	256.2	267.4	274	285.2	277.2	288.4
	65C/V	256.2	256.2	268.6	266.2	278.6	288	300.4	291.2	303.6
65LC/LV	307.2	307.2	319.6	317.2	329.6	339	351.4	342.2	354.6	
SSR	15XVY/XSBY	59.3	59.3	65.1	62.7	68.5	75.5	81.3	76.7	82.5
	15XWY/XTBY	75.9	75.9	81.7	79.3	85.1	92.1	97.9	93.3	99.1
	20XV/XSB	66.2	66.2	73.1	72.1	79	83.7	90.6	86.1	93
	20XW/XTB	85	85	91.9	90.9	97.8	102.5	109.4	104.9	111.8
	25XVY/XSBY	82.6	82.6	90	88.4	95.8	100	107.4	102.4	109.8
	25XWY/XTBY	105.6	105.6	113	111.4	118.8	123	130.4	125.4	132.8
	30XV/XSB	89.4	89.4	97.5	95.1	103.2	110.7	118.8	113.1	121.2
	30XW/XTB	119.7	119.7	127.8	125.4	133.5	141	149.1	143.4	151.5
	35XV/XSB	100.9	100.9	109.9	107.9	116.9	123.5	132.5	125.9	134.9
35XW/XTB	134.3	134.3	143.3	141.3	150.3	156.9	165.9	159.3	168.3	
SHW	12CAM/CRM	47	47	—	—	—	58	—	—	—
	12HRM	60.4	60.4	—	—	—	71.4	—	—	—
	14CAM/CRM	55.5	55.5	—	—	—	70.7	—	—	—
	17CAM/CRM	63	63	66	65.4	68.4	78.2	81.2	79.4	82.4
	21CA/CR	75	75	80	78.6	83.6	91.6	96.6	93.2	98.2
	27CA/CR	92.8	92.8	98.6	97.2	103	109.4	115.2	111.8	117.6
	35CA/CR	127	127	134.4	132	139.4	149	156.4	151.4	158.8
50CA/CR	161	161	169.2	167.4	175.6	186	194.2	188.4	196.6	

Note) Those models equipped with QZ Lubricator cannot have a grease nipple. When desiring a grease nipple for a model attached with QZ, contact THK.

## Options

## QZ Lubricator

Unit: mm

Model No.		L								
		QZUU	QZSS	QZDD	QZZZ	QZKK	QZSSH	QZDDHH	QZZZHH	QZKKHH
SRS	7S	29	29	—	—	—	—	—	—	—
	7M	33.4	33.4	—	—	—	—	—	—	—
	7N	41	41	—	—	—	—	—	—	—
	7WS	32.5	32.5	—	—	—	—	—	—	—
	7WM	41	41	—	—	—	—	—	—	—
	7WN	50.9	50.9	—	—	—	—	—	—	—
	9XS	31.5	31.5	—	—	—	43.1	—	—	—
	9XM	40.8	40.8	—	—	—	52.4	—	—	—
	9XN	50.8	50.8	—	—	—	62.4	—	—	—
	9WS	36.5	36.5	—	—	—	48.1	—	—	—
	9WM	49	49	—	—	—	60.6	—	—	—
	9WN	60.7	60.7	—	—	—	72.3	—	—	—
	12S	35	35	—	—	—	46.6	—	—	—
	12M	44.4	44.4	—	—	—	56	—	—	—
	12N	57.1	57.1	—	—	—	69.1	—	—	—
	12WS	40.5	40.5	—	—	—	52.1	—	—	—
	12WM	54.5	54.5	—	—	—	66.1	—	—	—
	12WN	69.5	69.5	—	—	—	81.1	—	—	—
	15S	44	44	—	—	—	58.2	—	—	—
	15M	55	55	—	—	—	69.2	—	—	—
15N	72.8	72.8	—	—	—	87	—	—	—	
15WS	53.5	53.5	—	—	—	67.7	—	—	—	
15WM	67.5	67.5	—	—	—	81.7	—	—	—	
15WN	86.5	86.5	—	—	—	100.9	—	—	—	
20M	66	66	—	—	—	81.2	—	—	—	
25M	97	97	—	—	—	112.6	—	—	—	
SCR	15S	84.4	84.4	89.8	86.8	92.2	100.4	105.4	101.4	106.9
	20S	99	99	105.4	103	109.4	115.5	122	118	124.5
	20	118	118	124.4	122	128.4	134.5	141	137	143.5
	25	131.4	131.4	138.6	137.4	144.6	149	156.2	151.4	158.6
	30	152.4	152.4	161	158.8	167.4	174.4	183	176.8	185.4
	35	175	175	184.8	182.4	192.2	198	207.8	200.4	210.2
	45	207	207	216.8	215.2	225	233	242.8	236.2	246
	65	307.2	307.2	319.6	317.2	329.6	339	351.4	342.2	354.6

Note) Those models equipped with QZ Lubricator cannot have a grease nipple. When desiring a grease nipple for a model attached with QZ, contact THK.

Unit: mm

Model No.		L								
		QZUU	QZSS	QZDD	QZZZ	QZKK	QZSSH	QZDDH	QZZZH	QZKHH
HSR	15C/R/A/B/YR	76.6	76.6	84.6	81.2	89.2	95.8	103.8	97	105
	15LC/LR	94.6	94.6	102.6	99.2	107.2	113.8	121.8	115	123
	20C/R/A/B/CA/CB/YR	93	93	101.2	98.8	107	110.4	118.6	112.8	121
	20LC/LR/LA/LB/HA/HB	109	109	117.2	114.8	123	126.4	134.6	128.8	137
	25C/R/A/B/CA/CB/YR	100.9	100.9	108.9	106.6	114.6	118.2	126.2	120.6	128.6
	25LC/LR/LA/LB/HA/HB	120	120	128	125.7	133.7	137.3	145.3	139.5	147.7
	30C/R/A/B/CA/CB/YR	115.8	115.8	123.8	121.5	129.5	137.1	145.1	139.5	147.5
	30LC/LR/LA/LB/HA/HB	138.4	138.4	146.4	144.1	152.1	159.7	167.7	162.1	170.1
	35C/R/A/B/CA/CB/YR	129	129	138.8	135.8	145.6	151.4	161.2	153.8	163.6
	35LC/LR/LA/LB/HA/HB	154.4	154.4	164.2	161.2	171	176.8	186.6	179.2	189
	45C/R/A/B/CA/CB/YR	168.6	168.6	178.4	176.8	186.6	197.4	207.2	200.6	210.4
	45LC/LR/LA/LB/HA/HB	200.4	200.4	210.2	208.6	218.4	229.2	239	232.4	242.2
	55C/R/A/B/CA/CB/YR	193.4	193.4	204.6	202.2	213.4	223.4	234.6	226.6	237.8
	55LC/LR/LA/LB/HA/HB	231.5	231.5	242.7	240.3	251.5	261.5	272.7	264.7	275.9
	65XC/XR/XCA/XCB/XYR	223.9	223.9	236.3	233.7	246.1	259.5	271.9	262.7	275.1
65A/B/CA/CB/YR	221.4	221.4	233.8	226.6	239	257	269.4	260.2	272.6	
65XLC/XLR/XHA/XHB	283.4	283.4	295.8	293.2	305.6	319	331.4	322.2	334.6	
65LA/LB/HA/HB	280.9	280.9	293.3	286.1	298.5	316.5	328.9	319.7	332.1	
SRN	35C/R	155	155	162.8	163.4	171.2	178.6	186.4	181	188.8
	35LC/LR	185	185	192.8	193.4	201.2	208.6	216.4	211	218.8
	35SLC/SLR	210.8	210.8	218.6	219.2	227	234.4	242.2	236.8	244.6
	45C/R	185	185	194.2	194.2	203.4	212	221.2	215.2	224.5
	45LC/LR	220	220	229.2	229.2	238.4	247	256.2	250.2	259.4
	45SLC/SLR	261.5	261.5	270.7	270.7	279.9	288.5	297.7	291.7	300.9
	55C/R	225	225	234.2	234.2	243.4	252	261.2	255.2	264.4
	55LC/LR	275	275	284.2	284.2	293.4	302	311.2	305.2	314.4
	55SLC/SLR	332	332	341.2	341.2	350.4	359	368.2	362.2	371.4
	65C/R	284.9	284.9	296.1	296.1	307.3	317.3	328.5	320.5	331.7
SRW	65LC/LR	343	343	354.2	354.2	370.4	380.4	391.6	378.6	389.8
	65SLC/SLR	420	420	431.2	431.2	442.4	452.4	463.6	455.6	466.8
	70	220	220	229.2	229.2	238.4	247	256.2	250.2	259.4
	85	275	275	284.2	284.2	293.4	302	311.2	305.2	314.4
	100	343	343	354.2	354.2	370.4	380.4	391.6	378.6	389.8

Note) Those models equipped with QZ Lubricator cannot have a grease nipple. When desiring a grease nipple for a model attached with QZ, contact THK.

## Options

QZ Lubricator

Unit: mm

Model No.		L										
		QZUU	QZSS	QZDD	QZZZ	QZKK	QZSSHH	QZDDHH	QZZZHH	QZKKHH	QZJJHH	QZTTHH
SVS/ SVR NR/ NRS-X	25R/C	102.8	102.8	108	108.5	113.7	116.8	122.0	—	—	122.5*	127.7*
	25LR/LC	122	122	127.2	127.7	132.9	136.0	141.2	—	—	141.7*	146.9*
	30R/C	118	118	124.6	123.7	130.3	135.2	141.8	—	—	140.9*	147.5*
	30LR/LC	140.5	140.5	147.1	146.2	152.8	157.7	164.3	—	—	163.4*	170.0*
	35R/C/RH/CH	139.5	139.5	146.5	146.3	153.3	156.7	163.7	—	—	163.5*	170.5*
	35LR/LC/LRH/LCH	165	165	172	171.8	178.8	182.2	189.2	—	—	189.0*	196.0*
	45R/C/RH/CH	168.2	168.2	175.2	175.8	182.8	188.2	195.2	—	—	195.8*	202.8*
	45LR/LC/LRH/LCH	201	201	208	208.6	215.6	221.0	228.0	—	—	228.6*	235.6*
	55R/C/RH/CH	201.4	201.4	208.4	209.0	216.0	222.4	229.4	—	—	231.1*	238.1*
	55LR/LC/LRH/LCH	238.6	238.6	245.6	246.2	253.2	259.6	266.6	—	—	268.3*	275.3*
	65R/C	224.4	224.4	231.8	233.1	240.5	248.8	256.2	—	—	257.5*	264.9*
	65LR/LC	284.4	284.4	291.8	293.1	300.5	308.8	316.2	—	—	317.5*	324.9*
SRG	15A/V	90.6	90.6	92.6	—	—	—	—	—	—	—	—
	20A/V	107.6	107.6	109.6	111	113	125.2	127.2	127.6	129.6	—	—
	20LA/LV	127.6	127.6	129.6	131	133	145.2	147.2	147.6	149.6	—	—
	25C/R	125.5	125.5	130.5	130.5	135.5	145.3	151.7	147.7	154.1	—	—
	25LC/LR	145.1	145.1	150.1	150.1	155.1	164.9	171.3	167.3	173.7	—	—
	30C/R	141	141	148	146	153	160.8	169.2	164.6	171.6	—	—
	30LC/LR	165	165	172	170	177	184.8	193.2	188.6	195.6	—	—
	35C/R	155	155	162.8	163.4	171.2	172.6	180.4	181	188.8	180.8*	188.6*
	35LC/LR	185	185	192.8	193.4	201.2	202.6	210.4	211	218.8	210.8*	218.6*
	35SLC/SLR	210.8	210.8	218.6	219.2	227	228.4	236.2	236.8	244.6	236.6*	244.4*
	45C/R	185	185	194.2	194.2	203.4	205.6	214.8	214.8	224	214.6*	223.8*
	45LC/LR	220	220	229.2	229.2	238.4	240.6	249.8	249.8	259	249.6*	258.8*
	45SLC/SLR	261.5	261.5	270.7	270.7	279.9	282.1	291.3	291.3	300.5	291.1*	300.3*
	55C/R	225	225	234.2	234.2	243.4	245.6	254.8	254.8	264	254.6*	263.8*
	55LC/LR	275	275	284.2	284.2	293.4	295.6	304.8	304.8	314	304.6*	313.8*
	55SLC/SLR	332	332	341.2	341.2	350.4	352.6	361.8	361.8	371	361.6*	370.8*
	65C/V	284.9	284.9	296.1	296.1	307.3	308.9	320.1	320.1	331.3	319.9*	331.1*
	65LC/LV	343	343	354.2	354.2	365.4	367	378.2	378.2	389.4	378*	389.2*
65LC/SLV	420	420	431.2	431.2	442.4	444	455.2	455.2	466.4	455*	466.2*	

\* The overall LM block length (L) of YY type (with side scraper) is also the same.

Note1) For models SVR/SVS and SRG, we recommend attaching a protector. For the dimensions of QZZZHH and QZKKHH, contact THK. For details of the symbols of options, see **A1-516**.

Note2) Those models equipped with QZ Lubricator cannot have a grease nipple. When desiring a grease nipple for a model attached with QZ, contact THK.

## Model number coding

SHS25	LC	2	QZ	KKHH	C0	+1200L	P	Z	T	-II
Model number	Type of LM block	No. of LM blocks used on the same rail	With QZ Lubricator (*1)	Contamination protection accessory symbol (*2)	LM rail length (in mm)	Radial clearance symbol (*3) Normal (No symbol) Light preload (C1) Medium preload (C0)	With steel tape	Symbol for LM rail jointed use	Accuracy symbol (*4) Normal grade (No Symbol) High accuracy grade (H) Precision grade (P)/Super precision grade (SP) Ultra precision grade (UP)	Symbol for No. of rails used on the same plane (*5)

(\*1) See **A1-509**. (\*2) See **A1-516**. (\*3) See **A1-71**. (\*4) See **A1-76**. (\*5) See **A1-13**.

Note) This model number indicates that a single-rail unit constitutes one set. (i.e., required number of sets when 2 rails are used in parallel is 2 at a minimum.)

Those models equipped with QZ Lubricator cannot have a grease nipple.

## List of Parts Symbols

- For supported model numbers, see the correspondence table of options by model number on **A1-478**.
- For the overall block length (dimension L) of each model with seal options attached, see **A1-491** to **A1-498**.
- For the overall block length (dimension L) with the QZ option attached, see **A1-512** to **A1-515**.

### [Symbols for Seals and Metal Scraper]

Symbol	Configuration of seal and metal scraper
No Symbol	Without seal
UU	End seal
SS	With end seal + side seal + inner seal*
DD	With double seals + side seal + inner seal*
ZZ	With end seal + side seal + inner seal* + metal scraper
KK	With double seals + side seal + inner seal* + metal scraper

\* Some models are not equipped with inner seals.(See **A1-478**)

### [Symbols for QZ Lubricator and Laminated Contract Scraper LaCS]

Symbol	Configuration of options	Example
* * HH	(Seal and metal scraper) + LaCS	UUHH
* * HHYY	(Seal and metal scraper) + LaCS + side scraper	DDHHYY
QZ * *	With QZ + (seal and metal scraper)	QZZZ
QZ * * HH	With QZ + (seal and metal scraper) + LaCS	QZZZHH
QZ * * HHYY	With QZ + (seal and metal scraper) + LaCS + side scraper	QZKKHHYY

Note1) \* \* in the table represents the symbol for a seal and metal scraper.

Note2) Those models equipped with QZ Lubricator cannot have a grease nipple. When desiring a grease nipple for a model attached with QZ, contact THK.

### [Symbols for Light-Resistance Contact Seal LiCS]

Symbol	Configuration of options
GG	LiCS
PP	With LiCS + side seal + inner seal*
QZGG	With QZ + LiCS
QZPP	With QZ + LiCS + side seal + inner seal*

\* Some models are not equipped with inner seals.(See **A1-478**)

Note) Those models equipped with QZ Lubricator cannot have a grease nipple. When desiring a grease nipple for a model attached with QZ, contact THK.



**[High Chemical Resistance Fluorine Seal FS Symbol]**

Symbol	Configuration of options
F2	Fluorine seals + side seals + inner seals
FZ2	Fluorine seals + side seals + inner seals + metal scrapers
FJ2	Fluorine seals + side seals + inner seals + protectors
F4	Fluorine seals (double) + side seals + inner seals
FZ4	Fluorine seals (double) + side seals + inner seals + metal scrapers
FJ4	Fluorine seals (double) + side seals + inner seals + protectors
QZF2	Fluorine seals + side seals + inner seals + QZ
QZFZ2	Fluorine seals + side seals + inner seals + metal scrapers + QZ
QZFJ2	Fluorine seals + side seals + inner seals + QZ + protectors
QZF4	Fluorine seals (double) + side seals + inner seals + QZ
QZFZ4	Fluorine seals (double) + side seals + inner seals + metal scrapers + QZ
QZFJ4	Fluorine seals (double) + side seals + inner seals + QZ + protectors

**[Symbols for Protector]**

\* Supported models: SVR/SVS, SRG, NR/NRS, and NR-X/NRS-X

Symbol	Configuration of options
JJHH	With End seal + side seal + inner seal* + LaCS + protector (also has a metal scraper function)
TTHH	With Double seals + side seal + inner seal* + LaCS + protector (also has a metal scraper function)
JJHHYY	With End seal + side seal + inner seal* + LaCS + protector (also has a metal scraper function) + side scraper
TTHHYY	With Double seals + side seal + inner seal* + LaCS + protector (also has a metal scraper function) + side scraper
QZJJHH	With QZ + end seal + side seal + inner seal* + LaCS + protector (also has a metal scraper function)
QZTTHH	With QZ + double seals + side seal + inner seal* + LaCS + protector (also has a metal scraper function)
QZJJHHYY	With QZ + end seal + side seal + inner seal* + LaCS + protector (also has a metal scraper function) + side scraper
QZTTHHYY	With QZ + double seals + side seal + inner seal* + LaCS + protector (also has a metal scraper function) + side scraper

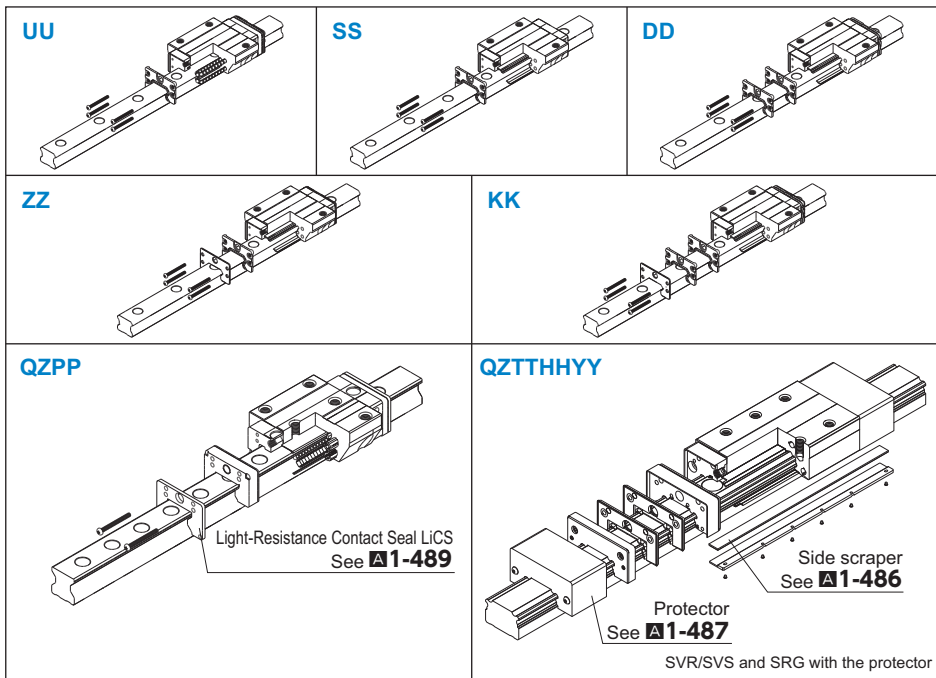
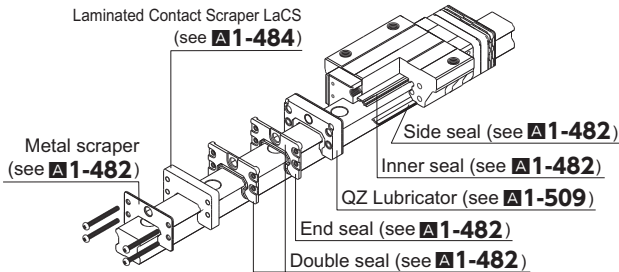
\* Some models are not equipped with inner seals. (See **A1-478**)

Note1) HH type (with LaCS) for models SVR/SVS, SRG, NR/NRS, and NR-X/NRS-X comes with a protector (see **A1-487**). The protector also acts as a metal scraper.

Contact THK if you want to use the Protector with other options.

Note2) Those models equipped with QZ Lubricator cannot have a grease nipple. When desiring a grease nipple for a model attached with QZ, contact THK.

## QZZZHH



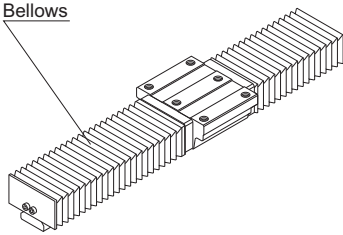
## Model number coding

<b>SVR45</b>	<b>LR 2</b>	<b>QZ</b>	<b>TTHH</b>	<b>C0</b>	<b>+1200L</b>	<b>P T</b>	<b>- II</b>
Model No.	Type of LM block	With QZ Lubricator	Symbol for dust-proof accessory	LM rail length (in mm)	Symbol for LM rail jointed use	Symbol for No. of rails used on the same plane	
	No. of LM blocks used on the same rail		Radial clearance symbol Normal (No symbol)/ Light preload (C1) Medium preload (C0)		Accuracy symbol Normal grade (No Symbol)/High accuracy grade (H)/ Precision grade (P)/Super precision grade (SP)/ Ultra precision grade (UP)		

Note) Those models equipped with QZ Lubricator cannot have a grease nipple. When desiring a grease nipple for a model attached with QZ, contact THK.

# Dedicated Bellows

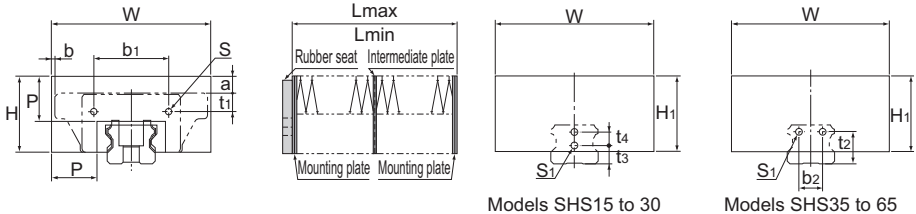
- For the supported models, see the table of options by model number on [A1-478](#).
- For the dedicated bellows dimensions, see [A1-520](#) to [A1-531](#).

Item name	Schematic diagram / mounting location	Purpose/location of use
<p><b>Dedicated Bellows</b></p>		<p>Used in locations exposed to dust or cutting chips</p>

## Bellows

### [Dedicated Bellows JSH for Model SHS]

The table below shows the dimensions of dedicated bellows JSH for model SHS. Specify the corresponding model number of the desired bellows from the table.



Unit: mm

Model No.	Main dimensions											Supported model numbers			
	W	H	H <sub>1</sub>	P	b <sub>1</sub>	t <sub>1</sub>			b <sub>2</sub>	t <sub>2</sub>	t <sub>3</sub>		t <sub>4</sub>		
						C	V	R							
JSH	15	53	26	26	15	22.4	4	4	8	—	—	8	—	SHS	15
	20	60	30	30	17	27.6	7.5	7.5	—	—	—	8	6		20
	25	75	36	36	20	38	9.1	9.1	13.1	—	—	9	7		25
	30	80	38	38	20	44	11	11	14	—	—	11	8		30
	35	86	40.5	40.5	20	50	11	11	18	20	21.5	—	—		35
	45	97	46	46	20	64.6	13.5	13.5	23.5	26	26.5	—	—		45
	55	105	48	48	20	68	13	13	23	30	31.5	—	—		55
	65	126	63	63	25	80	18	18	—	34	45	—	—		65

Unit: mm

Supported model numbers	Other dimensions									A ( $\frac{L_{max}}{L_{min}}$ )
	Mounting bolt		a			b				
	S	S <sub>1</sub>	C	V	R	C	V	R		
SHS	15	*M2×8 <i>l</i>	M4×8 <i>l</i>	5	5	1	3	9.5	9.5	5
	20	M2.6×8 <i>l</i>	M3×6 <i>l</i>	5	5	—	-1.5	8	—	6
	25	M3×8 <i>l</i>	M3×6 <i>l</i>	6	6	2	2.5	13.5	13.5	7
	30	M3×10 <i>l</i>	M3×6 <i>l</i>	3	3	0	-5	10	10	7
	35	M4×10 <i>l</i>	M4×8 <i>l</i>	0	0	-7	-7	8	8	7
	45	M4×12 <i>l</i>	M4×8 <i>l</i>	-5	-5	-15	-11.7	5.5	5.5	7
	55	M5×12 <i>l</i>	M5×10 <i>l</i>	-9	-9	-19	-17.5	2.5	2.5	7
	65	M6×14 <i>l</i>	M6×12 <i>l</i>	-8	-8	—	-22	0	—	9

\* Use self-tapping screws as the mounting screws on the LM block side of the JSH15.

Note1) When desiring to use the dedicated bellows other than in horizontal mount (i.e., vertical, wall and inverted mount), or when desiring a heat-resistant type of bellows, contact THK.

Note2) For lubrication when using the dedicated bellows, contact THK.

Note3) When using the dedicated bellows, the LM block and LM rail need to be machined so that the bellows can be mounted. Be sure to indicate that the dedicated bellows is required when ordering the LM Guide.

#### Model number coding

### JSH35 - 60/420

Model number of bellows for SHS35      Dimensions of the bellows (length when compressed / length when extended)

Note) The length of the bellows is calculated as follow.

$$L_{min} = \frac{S}{(A-1)} \quad S: \text{Stroke length (mm)}$$

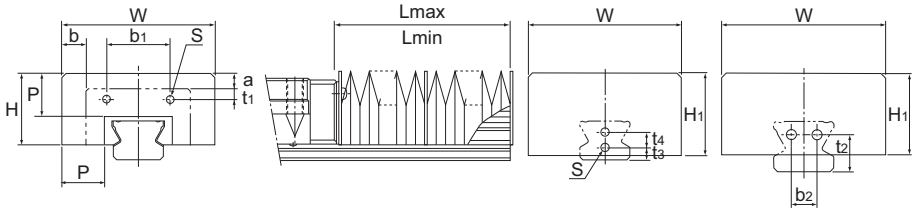
$$L_{max} = L_{min} \cdot A \quad A: \text{Extension rate}$$

## Options

## Dedicated Bellows

**[Dedicated Bellows JSSR-X for Model SSR]**

The table below shows the dimensions of dedicated bellows JSSR-X for model SSR. Specify the corresponding model number of the desired bellows from the table.



Models SSR15X to 25X    Models SSR30X and 35X

Unit: mm

Model No.	Main dimensions														Supported model numbers			
	W	H	H <sub>1</sub>	P	b <sub>1</sub>	t <sub>1</sub>	b <sub>2</sub>	t <sub>2</sub>	t <sub>3</sub>	t <sub>4</sub>	Mounting bolt S	a	b			A ( $\frac{L_{max}}{L_{min}}$ )		
													XW/XV	XTB				
JSSR	15X	51	24	26	15	20.5	4.7	—	—	8	—	M3×5ℓ	5	8.5	-0.5	5	SSR	15X
	20X	58	26	30	15	25	4.2	—	—	6	6	M3×5ℓ	4	8	-0.5	5		20X
	25X	71	33	38	20	29	5	—	—	6	7	M3×5ℓ	7	11.5	-1	7		25X
	30X	76	37.5	37.5	20	35	9	12	17	—	—	M4×6ℓ	3	8	—	7		30X
	35X	84	39	39	20	44	7	14	20	—	—	M5×10ℓ	2	7	—	7		35X

Note1) When desiring to use the dedicated bellows other than in horizontal mount (i.e., vertical, wall and inverted mount), or when desiring a heat-resistant type of bellows, contact THK.

Note2) For lubrication when using the dedicated bellows, contact THK.

Note3) When using the dedicated bellows, the LM block and LM rail need to be machined so that the bellows can be mounted. Be sure to indicate that the dedicated bellows is required when ordering the LM Guide.

**Model number coding****JSSR35X - 60/420**

Model number of bellows for SSR35X

Dimensions of the bellows (length when compressed / length when extended)

Note) The length of the bellows is calculated as follow.

$$L_{min} = \frac{S}{(A-1)} \quad S: \text{Stroke length (mm)}$$

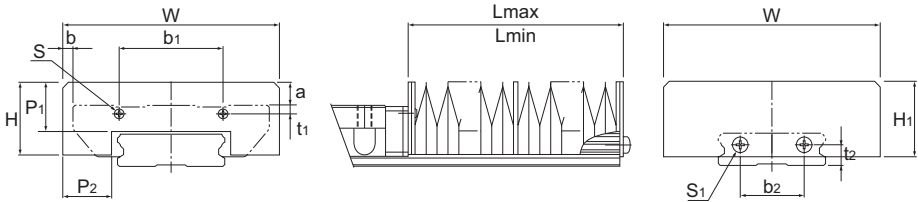
$$L_{max} = L_{min} \cdot A \quad A: \text{Extension rate}$$

**[Model JSV Dedicated Bellows for Models SVR/SVS/NR-X/NRS-X]**

For models SVR/SVS and NR/NRS-X, the model JSV simplified bellows is available. Contact THK for details.

### [Dedicated Bellows JSHW for Model SHW]

The table below shows the dimensions of dedicated bellows JSHW for model SHW. Specify the corresponding model number of the desired bellows from the table.



Unit: mm

Model No.	Main dimensions										Supported model numbers	
	W	H	H <sub>1</sub>	P <sub>1</sub>	P <sub>2</sub>	b <sub>1</sub>	t <sub>1</sub>	b <sub>2</sub>	t <sub>2</sub>			
JSHW	17	68	22	23	15	15.4	39	2.6	18	6	SHW	17
	21	75	25	26	17	17	35.8	2.9	22	7		21
	27	85	33.5	33.5	20	20	25	3.5	20	10		27
	35	120	35	35	20	20	75	7.5	40	13		35
	50	164	42	42	20	20	89.4	14	50	16		50

Unit: mm

Model No.	Other dimensions							A ( $\frac{L_{max}}{L_{min}}$ )
	Mounting bolt		a	b		Model CA	Model CR	
	*S	S <sub>1</sub>						
JSHW	17	M2×4ℓ	M3×6ℓ	8	4	9	5	
	21	M2×5ℓ	M3×6ℓ	8	3.5	10.5	6	
	27	M2.6×6ℓ	M3×6ℓ	10	2.5	11.5	7	
	35	M3×8ℓ	M3×6ℓ	6	0	10	7	
	50	M4×12ℓ	M4×8ℓ	—	1	17	7	

Note1) When desiring to use the dedicated bellows other than in horizontal mount (i.e., vertical, wall and inverted mount), or when desiring a heat-resistant type of bellows, contact THK.

Note2) For lubrication when using the dedicated bellows, contact THK.

Note3) For the mounting bolts marked with "\*", use tapping screws.

Note4) When using the dedicated bellows, the LM block and LM rail need to be machined so that the bellows can be mounted. Be sure to indicate that the dedicated bellows is required when ordering the LM Guide.

#### Model number coding

## JSHW21 - 60/360

Model number of bellows for SHW21      Dimensions of the bellows (length when compressed / length when extended)

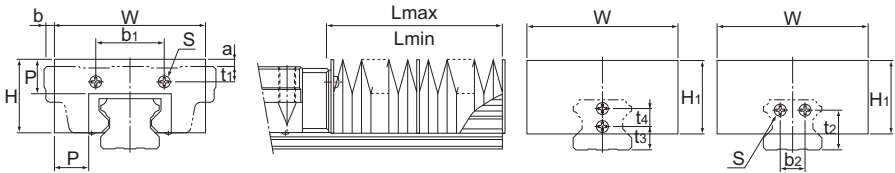
Note) The length of the bellows is calculated as follow.

$$L_{min} = \frac{S}{(A-1)} \quad S: \text{Stroke length (mm)}$$

$$L_{max} = L_{min} \cdot A \quad A: \text{Extension rate}$$

**[Dedicated Bellows JH for Model HSR]**

The table below shows the dimensions of dedicated bellows JH for model HSR. Specify the corresponding model number of the desired bellows from the table.



Models HSR15 to 30    Models HSR35 to 85

Unit: mm

Model No.	Main dimensions																Supported model numbers		
	W	H	H <sub>1</sub>	P	b <sub>1</sub>	t <sub>1</sub>		b <sub>2</sub>	t <sub>2</sub>	t <sub>3</sub>	t <sub>4</sub>	Mounting bolt S	a		b			A ( $\frac{L_{max}}{L_{min}}$ )	
						A/B/C	R						A/B/C	R					
JH	15	55	27	30	15	25	2.5	6.5	—	—	10	—	*M4×8ℓ	7.5	3.5	-4	-10.5	5	HSR
	20	66	32	35	17	34	5	5	—	—	6	8	M3×6ℓ	7	7	-1.5	-11	6	
	25	78	38	38	20	30	7	11	—	—	10	8	M3×6ℓ	8.5	4.5	-4	-15	7	
	30	84	42	42	20	40	8	11	—	—	11	10	M4×8ℓ	7	4	3	-12	7	
	35	88	43	43	20	40	9	16	14	23	—	—	M4×8ℓ	4	—	6	-9	7	
	45	100	51	51	20	58	10	20	20	29	—	—	M5×10ℓ	—	—	10	-7	7	
	55	108	54	54	20	66	11	21	26	35	—	—	M5×10ℓ	—	—	16	-4	7	
	65	132	68	68	20	80	19	19	32	42	—	—	M6×12ℓ	—	—	19	-3	7	
	85	170	88	88	30	105	23	23	44	50	—	—	M6×12ℓ	—	—	22.5	-7	10	

Note1) For model JH15's location marked with "\*", mounting bolts are used only on the LM rail side while the LM block side uses M2 x 5 (nominal) tapping screws.

Note2) When desiring to use the dedicated bellows other than in horizontal mount (i.e., vertical, wall and inverted mount), or when desiring a heat-resistant type of bellows, contact THK.

Note3) For lubrication when using the dedicated bellows, contact THK.

Note4) When using the dedicated bellows, the LM block and LM rail need to be machined so that the bellows can be mounted. Be sure to indicate that the dedicated bellows is required when ordering the LM Guide.

**Model number coding****JH25 - 60/420**

Model number of bellows for HSR25    Dimensions of the bellows (length when compressed / length when extended)

Note) The length of the bellows is calculated as follow.

$$L_{min} = \frac{S}{(A-1)} \quad S: \text{Stroke length (mm)}$$

$$L_{max} = L_{min} \cdot A \quad A: \text{Extension rate}$$

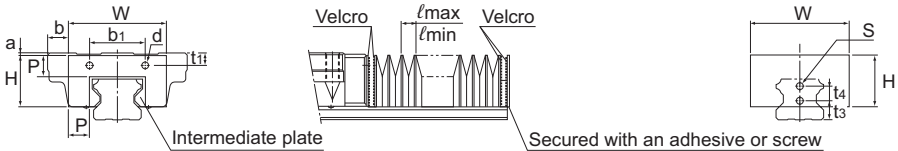
### [Dedicated Bellows DH for Model HSR]

For models HSR15, 20 and 25, bellows DH, which has the following features, is also available other than the dedicated bellows JH. Specify the corresponding model number of the desired bellows from the table.

#### ● Features

- (1) Has a width and height smaller than the conventional product so that any part of the bellows does not stick out of the top face of the LM block. The extension rate is equal to or greater than that of the conventional type.
- (2) Has an intermediate plate for each crest so that it will not easily lift and the bellows can be used with vertical mount, wall mount and slant mount.
- (3) Operable at high speed, at up to 120 m/min.
- (4) Since a Velcro tape can be used to install the bellows, a regular-size model can be cut to the desired length, or two or more regular-size bellows can be taped together.
- (5) Can be installed using screws just as bellows JH.

In this case, a plate (thickness: 1.6 mm) must be placed between the bellows and the LM block. Contact THK for details.



Unit: mm

Model No.	Main dimensions																			Supported model numbers	
	W	H	P	b <sub>1</sub>	t <sub>1</sub>		t <sub>3</sub>	t <sub>4</sub>	d	s	a		b		ℓ <sub>max</sub>	ℓ <sub>min</sub>	Extension rate		Factor k		
					A/B/C	R					A/B/C	R	A	E							
DH	15	35	19.5	8.5	25	2.5	6.5	10	—	φ2.5	φ5	0	4	6	-0.5	10	2.5	4	2	1.2	15
	20	45	25	10	34	5	5	6	8	φ4	φ4	0	0	9	-0.5	13	2.5	5	2	1.3	HSR 20
	25	52	29.5	12	30	7	11	10	8	φ3.5	φ3.5	0	4	9	-2	15	3	5	2	1.3	25

Note1) For lubrication when using the dedicated bellows, contact THK.

Note2) When using the dedicated bellows, the LM block and LM rail need to be machined so that the bellows can be mounted. Be sure to indicate that the dedicated bellows is required when ordering the LM Guide.

#### Model number coding

### DH20 - 50/250

Model number of bellows for HSR20      Dimensions of the bellows (length when compressed / length when extended)

Note) The maximum length of the bellows itself is calculated as follows.

$$L_{\max} (L_{\min}) = \ell_{\max} (\ell_{\min}) \times 200$$

Example of calculating bellows dimensions:

When the stroke of model HSR20 is:  $\ell_s=530\text{mm}$

$$L_{\min} = \frac{\ell_s}{(A-1)} = \frac{530}{4} = 132.5 \div 135$$

$$L_{\max} = A \cdot L_{\min} = 5 \times 135 = 675$$

Number of required crests n

$$n = \frac{L_{\max}}{P \cdot k} = \frac{675}{10 \times 1.3} = 51.9 \div 52 \text{ crests}$$

$$L_{\min} = n \cdot \ell_{\min} + E = 52 \times 2.5 + 2 = 132$$

(E indicates the plate thickness of 2)

Therefore, the model number of the required bellows is DH20-132/675.

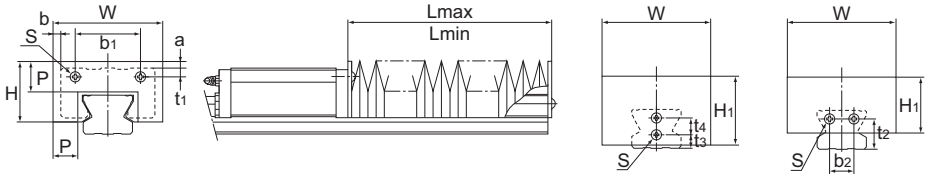


## Options

## Dedicated Bellows

**[Dedicated Bellows JS for Model SR]**

The table below shows the dimensions of dedicated bellows JS for model SR. Specify the corresponding model number of the desired bellows from the table.



Models SR15 to 25      Models SR30 to 70

Unit: mm

Model No.	Main dimensions														Supported model numbers			
	W	H	H <sub>1</sub>	P	b <sub>1</sub>	t <sub>1</sub>	b <sub>2</sub>	t <sub>2</sub>	t <sub>3</sub>	t <sub>4</sub>	Mounting bolt S	b				$\left(\frac{A}{L_{\max}}\right)$ $\left(\frac{L_{\max}}{L_{\min}}\right)$		
												a	W/V	TB/SB				
JS	15	51	24	26	15	22	3.4	—	—	8	—	M3×6ℓ	5	8.5	-0.5	5	SR	15
	20	58	26	30	15	25	4.2	—	—	6	6	M3×6ℓ	4	8	-0.5	5		20
	25	71	33	38	20	29	5	—	—	6	7	M3×6ℓ	7	11.5	-1	7		25
	30	76	37.5	37.5	20	42	5	12	17	—	—	M4×8ℓ	3	8	-7	7		30
	35	84	39	39	20	44	6.5	14	20	—	—	M5×10ℓ	1.5	7	-8	7		35
	45	95	47.5	47.5	20	60	8	22	27	—	—	M5×10ℓ	-1.5	5	-12.5	7		45
	55	108	55.5	55.5	25	70	10	24	28	—	—	M6×12ℓ	-0.5	4	-16	9		55
	70	144	67	67	30	90	13	34	35	—	—	M6×12ℓ	-3	9	—	10		70

Note1) When desiring to use the dedicated bellows other than in horizontal mount (i.e., vertical, wall and inverted mount), or when desiring a heat-resistant type of bellows, contact THK.

Note2) For lubrication when using the dedicated bellows, contact THK.

Note3) When using the dedicated bellows, the LM block and LM rail need to be machined so that the bellows can be mounted. Be sure to indicate that the dedicated bellows is required when ordering the LM Guide.

### Model number coding

## JS55 - 60/540

Model number of bellows for SR55

Dimensions of the bellows (length when compressed / length when extended)

Note) The length of the bellows is calculated as follow.

$$L_{\min} = \frac{S}{(A-1)} \quad S: \text{Stroke length (mm)}$$

$$L_{\max} = L_{\min} \cdot A \quad A: \text{Extension rate}$$

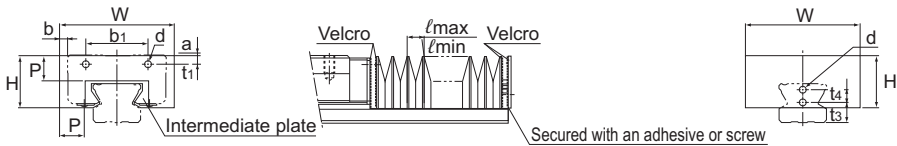
### [Dedicated Bellows DS for Model SR]

For models SR15, 20 and 25, bellows DS, which has the following features, is also available other than the dedicated bellows JS. Specify the corresponding model number of the desired bellows from the table.

#### ● Features

- (1) Has a width and height smaller than the conventional product so that any part of the bellows does not stick out of the top face of the LM block. The extension rate is equal to or greater than that of the conventional type.
- (2) Has an intermediate plate for each crest so that it will not easily lift and the bellows can be used with vertical mount, wall mount and slant mount.
- (3) Operable at high speed, at up to 120 m/min.
- (4) Since a Velcro tape can be used to install the bellows, a regular-size model can be cut to the desired length, or two or more regular-size bellows can be taped together.
- (5) Can be installed using screws just as the conventional type.

In this case, a plate (thickness: 1.6 mm) must be placed between the bellows and the LM block. Contact THK for details.



Unit: mm

Model No.	Main dimensions																Supported model numbers		
	W	H	P	b <sub>1</sub>	t <sub>1</sub>	t <sub>3</sub>	t <sub>4</sub>	d	a	b		l <sub>max</sub>	l <sub>min</sub>	Extension rate	A	E			Factor
										W/V	TB/SB								
DS	15	38	19	10	22	3.4	8	—	3.5	0	2	-7	13	2.5	5	2	1.3	SR	15
	20	49	22	10	25	4.2	6	6	4	0	3.5	-5	13	2.5	5	2	1.3		20
	25	56	26	12	29	5	6	7	4	0	4	-8.5	15	3	5	2	1.3		25

Note1) For lubrication when using the dedicated bellows, contact THK.

Note2) When using the dedicated bellows, the LM block and LM rail need to be machined so that the bellows can be mounted. Be sure to indicate that the dedicated bellows is required when ordering the LM Guide.

#### Model number coding

### DS20 - 50/250

Model number of bellows for SR20

Dimensions of the bellows (length when compressed / length when extended)

Note) The maximum length of the bellows itself is calculated as follows.

$$L_{\max} (L_{\min}) = l_{\max} (l_{\min}) \times 200$$

Example of calculating bellows dimensions:

When the stroke of model SR20 is:  $l_s=530$ mm

$$L_{\min} = \frac{l_s}{(A-1)} = \frac{530}{4} = 132.5 \div 135$$

$$L_{\max} = A \cdot L_{\min} = 5 \times 135 = 675$$

Number of required crests n

$$n = \frac{L_{\max}}{P \cdot k} = \frac{675}{10 \times 1.3} = 51.9 \div 52 \text{ crests}$$

$$L_{\min} = n \cdot l_{\min} + E = 52 \times 2.5 + 2 = 132$$

(E indicates the plate thickness of 2)

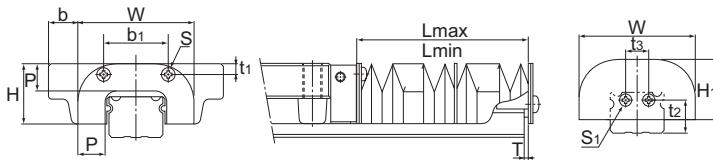
Therefore, the model number of the required bellows is DS20-132/675.

## Options

## Dedicated Bellows

## [Simplified Bellows JN Dedicated for Models NR/NRS]

For models NR/NRS, bellows are available. Fig.1 To gain a higher contamination protection effect, attach a telescopic cover outside the bellows after the bellows are mounted.



Models NR/NRS 75 to 100

Unit: mm

Model No.	Main dimensions											A ( $\frac{L_{max}}{L_{min}}$ )	Supported model numbers			
	W	H	H <sub>1</sub>	P	b <sub>1</sub>	t <sub>1</sub>	t <sub>2</sub>	t <sub>3</sub>	Mounting bolt		b A, LA B, LB			T		
									S	S <sub>1</sub>						
JN	75	145	64	64	30	80	10.5	34.2	26	M6×12ℓ	M6×5ℓ	25	3.2	20	NR/ NRS	75
	85	156	70.5	70.5	30	110	15.5	39.5	28	M6×12ℓ	M6×5ℓ	39.5	3.2	20		85
	100	200	82	82	30	140	15	40	34	M8×16ℓ	M6×5ℓ	30	3.2	20		100

Note1) When desiring to use the bellows other than in horizontal mount (i.e., vertical, wall and inverted mount), or when desiring a heat-resistant type of bellows, contact THK.

Note2) For lubrication when using the bellows, contact THK.

Note3) When using the bellows, the LM block and LM rail need to be machined so that the bellows can be mounted. Be sure to indicate that the bellows is required when ordering the LM Guide.

## Model number coding

## JN75 - 60/420

Model number of bellows for NR/NRS

Dimensions of the bellows (length when compressed / length when extended)

Note) The length of the bellows is calculated as follow.

$$L_{min} = \frac{S}{(A-1)} \quad S: \text{Stroke length (mm)}$$

$$L_{max} = L_{min} \cdot A \quad A: \text{Extension rate}$$

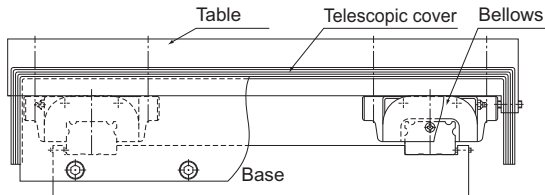
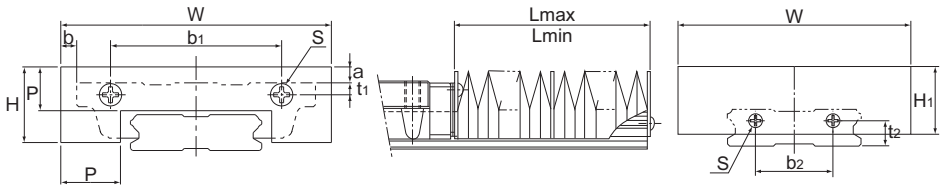


Fig.1 Example of Mounting the Bellows

### [Dedicated Bellows JHRW for Model HRW]

The table below shows the dimensions of dedicated bellows JHRW for model HRW. Specify the corresponding model number of the desired bellows from the table.



Unit: mm

Model No.	Main dimensions													Supported model numbers		
	W	H	H <sub>1</sub>	P	b <sub>1</sub>	t <sub>1</sub>	b <sub>2</sub>	t <sub>2</sub>	Mounting bolt S	a	b		$\left(\frac{A}{L_{\max}} \cdot L_{\min}\right)$			
											Model CA	Model CR				
JHRW	17	68	22	23	15	43	3	18	6	*M3×6ℓ	8	4	9	5	HRW	17
	21	75	25	26	17	48	3	22	7	M3×6ℓ	8	3.5	10.5	6		21
	27	85	33.5	33.5	20	48	3	20	10	M3×6ℓ	10	2.5	11.5	7		27
	35	120	35	35	20	75	3.5	40	13	M3×6ℓ	6	0	10	7		35
	50	164	42	42	20	100	9	50	16	M4×8ℓ	-3	1	17	7		50

Note1) For model JHRW17's location marked with "\*", mounting bolts are used only on the LM rail side while the LM block side uses M2.5 x 8 (nominal) tapping screws.

Note2) When desiring to use the dedicated bellows other than in horizontal mount (i.e., vertical, wall and inverted mount), or when desiring a heat-resistant type of bellows, contact THK.

Note3) For lubrication when using the dedicated bellows, contact THK.

Note4) When using the dedicated bellows, the LM block and LM rail need to be machined so that the bellows can be mounted. Be sure to indicate that the dedicated bellows is required when ordering the LM Guide.

#### Model number coding

### JHRW21 - 60/360

Model number of bellows for HRW21      Dimensions of the bellows (length when compressed / length when extended)

Note) The length of the bellows is calculated as follow.

$$L_{\min} = \frac{S}{(A-1)} \quad S: \text{Stroke length (mm)}$$

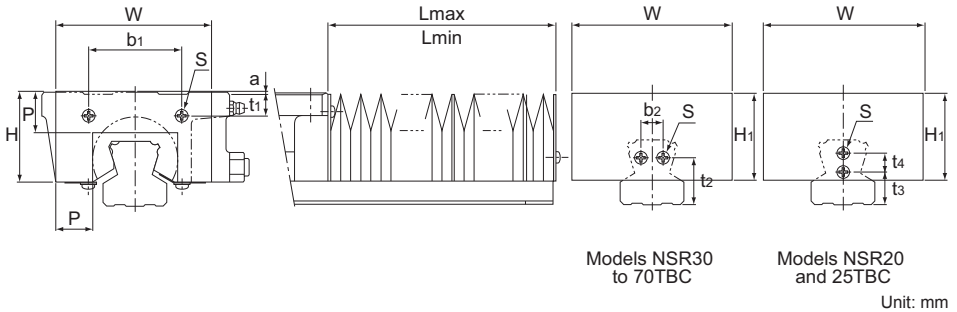
$$L_{\max} = L_{\min} \cdot A \quad A: \text{Extension rate}$$

## Options

## Dedicated Bellows

**[Dedicated Bellows J for Model NSR-TBC]**

The table below shows the dimensions of dedicated bellows J for model NSR-TBC. Specify the corresponding model number of the desired bellows from the table.



Model No.	Main dimensions												Supported model numbers			
	W	H	H <sub>1</sub>	P	b <sub>1</sub>	t <sub>1</sub>	b <sub>2</sub>	t <sub>2</sub>	t <sub>3</sub>	t <sub>4</sub>	Mounting bolt S	a		$\frac{A}{L_{max} - L_{min}}$		
J	20	65	39	43	20	26	8	—	—	9	8	M4×8ℓ	8	7	NSR	20TBC
	25	75	43	45	20	40	11	—	—	12	8	M4×8ℓ	3	7		25TBC
	30	85	46	46	20	50	12	12	25	—	—	M4×8ℓ	—	7		30TBC
	40	115	59	59	25	60	13	16	32	—	—	M5×10ℓ	—	9		40TBC
	50	115	66	66	25	75	11	20	32	—	—	M5×10ℓ	—	9		50TBC
	70	124	84	78	25	96	16	36	40	—	—	M6×12ℓ	—	9		70TBC

Note1) When desiring to use the dedicated bellows other than in horizontal mount (i.e., vertical, wall and inverted mount), or when desiring a heat-resistant type of bellows, contact THK.

Note2) For lubrication when using the dedicated bellows, contact THK.

Note3) When using the dedicated bellows, the LM block and LM rail need to be machined so that the bellows can be mounted. Be sure to indicate that the dedicated bellows is required when ordering the LM Guide.

## Model number coding

**J50 - 60/540**

Model number of bellows for NSR50TBC

Dimensions of the bellows (length when compressed / length when extended)

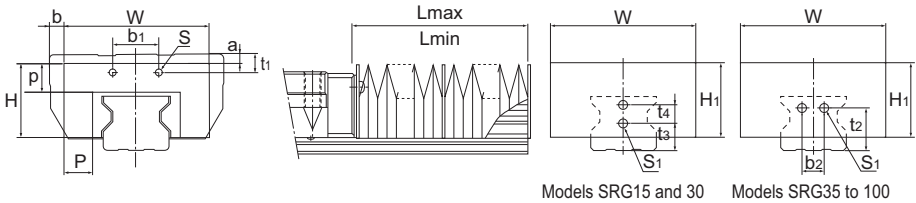
Note) The length of the bellows is calculated as follow.

$$L_{min} = \frac{S}{(A-1)} \quad S: \text{Stroke length (mm)}$$

$$L_{max} = L_{min} \cdot A \quad A: \text{Extension rate}$$

### [Dedicated Bellows JSRG for Model SRG]

The table below shows the dimensions of dedicated bellows JSRG for model SRG. Specify the corresponding model number of the desired bellows from the table.



Unit: mm

Model No.	Main dimensions																A ( $\frac{L_{max}}{L_{min}}$ )	Supported model numbers				
	W	H	H <sub>1</sub>	P	p	b <sub>1</sub>	t <sub>1</sub>		b <sub>2</sub>	t <sub>2</sub>	t <sub>3</sub>	t <sub>4</sub>	Screw size S	Mounting bolt S <sub>1</sub>	a				b			
							A/C	R/V							A/C	R/V			A/C	R/V		
JSRG	15	55	27	27	14.2	12.7	28	10.3	10.3	—	—	10.6	—	M2	M4	7	7	4	10.5	5	SRG	15
	20	66	32	32	17	15	38.5	9.6	9.6	—	—	7.4	8	M2	M3	6.6	6.6	1.5	11	6		20
	25	78	38	38	23	18	27.6	3.9	7.9	—	—	10	8	M2	M3×6ℓ	-6.5	-2.5	4	15	6		25
	30	84	42	42	22	19	37.4	10.4	13.4	—	—	11	10	M3	M4×8ℓ	-5	-2	3	12	7		30
	35	88	42	42	22	15	35	5	12	13	23	—	—	M3	M4×4ℓ	0	7	6	-9	5		35
	45	100	51	51	20	20	32	7	17	15	29	—	—	M3	M5×4ℓ	0	10	10	-7	7		45
	55	108	57	57	20	20	36	10	20	25	35	—	—	M3	M5×4ℓ	3	13	16	-4	7		55
	65	132	75.5	75.5	28.5	25	46	9	9	28	42	—	—	M4	M6×5ℓ	3	3	19	-3	9		65
	85	168	91	91	35.5	30	120	15	—	30	55	—	—	M6	M6×8ℓ	3	—	23.5	—	9		85
100	198	100	100	43	33	152	13.3	—	36	60	—	—	M6	M6×8ℓ	4	—	26	—	9	100		

Note1) When desiring to use the dedicated bellows other than in horizontal mount (i.e., vertical, wall and inverted mount), or when desiring a heat-resistant type of bellows, contact THK.

Note2) For lubrication when using the dedicated bellows, contact THK.

Note3) When using the dedicated bellows, the LM block and LM rail need to be machined so that the bellows can be mounted. Be sure to indicate that the dedicated bellows is required when ordering the LM Guide.

Note4) In case of oil lubrication, be sure to let THK know the mounting orientation and the exact position in each LM block where the piping joint should be attached.

For the mounting orientation and the lubrication, see **A1-12** and **A24-2**, respectively.

#### Model number coding

### JSRG35 - 60/420

Model number of bellows for SRG35      Dimensions of the bellows (length when compressed / length when extended)

Note) The length of the bellows is calculated as follow.

$$L_{min} = \frac{S}{(A-1)} \quad S: \text{Stroke length (mm)}$$

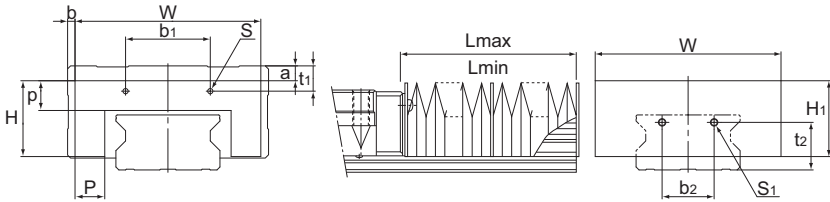
$$L_{max} = L_{min} \cdot A \quad A: \text{Extension rate}$$

## Options

## Dedicated Bellows

## [Dedicated Bellows JSRW for Model SRW]

The table below shows the dimensions of dedicated bellows JSRW for model SRW. Specify the corresponding model number of the desired bellows from the table.



Unit: mm

Model No.	Main dimensions											Screw size	Mounting bolt S <sub>1</sub>	a	b	A ( $\frac{L_{max}}{L_{min}}$ )	Supported model numbers
	W	H	H <sub>1</sub>	P	p	b <sub>1</sub>	t <sub>1</sub>	b <sub>2</sub>	t <sub>2</sub>	S							
JSRW	70	125	51	51	20	20	57	17	35	32	M3	M5×4L	10	5	7	SRW	70
	85	138	57	57	20	20	68	20	42	36	M3	M5×4L	13	13.5	7		85
	100	169	75.5	75.5	28.5	25	83	19	50	46	M4	M6×5L	13	15.5	9		100
	130	220	96	96	36.5	35	165	35	60	55	M6	M6×8L	18	20	9		130
	150	260	114	114	49	47	200	43.3	70	60	M6	M6×8L	20	20	9		150

Note1) For lubrication when using the dedicated bellows, contact THK.

Note2) When desiring to use the dedicated bellows other than in horizontal mount (i.e., vertical, wall and inverted mount), or when desiring a heat-resistant type of bellows, contact THK.

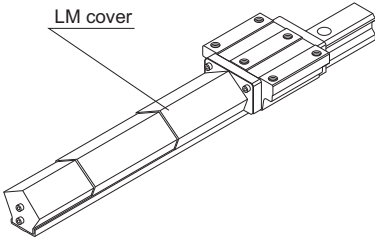
## Model number coding

**JSRW70 - 60/420**

Model number of bellows for SRW70      Dimensions of the bellows (length when compressed / length when extended)

## Dedicated LM Cover

- For the supported models, see the table of options by model number on [A1-478](#).
- For the dedicated LM cover dimensions, see [A1-533](#).

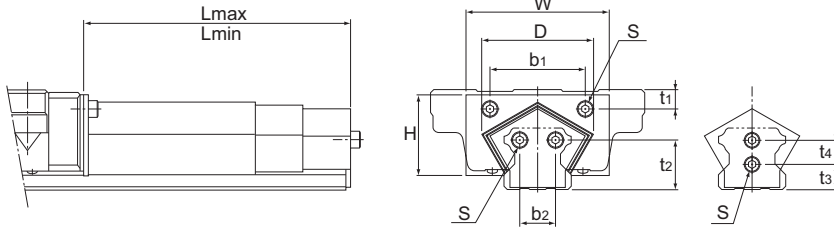
Item name	Schematic diagram / mounting location	Purpose/location of use
<p><b>Dedicated LM Cover</b></p>		<p>Used in locations exposed to dust or cutting chips Used in locations where high temperature foreign material such as flying spatter</p>



## LM Cover

### [Dedicated LM Cover TPH for Model HSR]

The tables below show the dimensions of dedicated LM cover TPH for model HSR. Specify the corresponding model number of the desired bellows from the table.



Models HSR25 and 30

Unit: mm

Model No.	Main dimensions											Supported model numbers	
	W	D (max)	H	b <sub>1</sub>	t <sub>1</sub>	b <sub>2</sub>	t <sub>2</sub>	t <sub>3</sub>	t <sub>4</sub>	Mounting bolt S			
TPH	25	55	42	28	30	7	—	—	10	8	M3×6ℓ	HSR	25
	30	60	48	34	40	8	—	—	11	10	M4×8ℓ		30
	35	70	55	38	40	9	14	23	—	—	M4×8ℓ		35
	45	90	75	48	58	10	20	29	—	—	M5×10ℓ		45
	55	100	88	55	66	11	26	35	—	—	M5×10ℓ		55

Unit: mm

Unit: mm

Model No.	Stage	L		Stroke	
		min	max		
TPH	25	3	200	530	330
		3	150	380	230
		3	100	230	130
	30	3	250	680	430
		3	200	530	330
		3	150	380	230
	35	3	300	830	530
		3	250	680	430
		3	200	530	330
3	150	380	230		

Model No.	Stage	L		Stroke	
		min	max		
TPH	45	3	350	980	630
		3	300	830	530
		3	250	680	430
	55	3	200	530	330
		4	400	1460	1060
		4	350	1330	980
	4	300	1060	760	
	4	250	860	610	

Note1) For lubrication when using the dedicated LM cover, contact THK.

Note2) When using the dedicated LM cover, the LM block and LM rail need to be machined so that the bellows can be mounted. Be sure to indicate that the dedicated bellows is required when ordering the LM Guide.

### Model number coding

## TPH55 - 400/1460

Model number of LM cover for HSR55      Lmax (cover length when extended)

Lmin (cover length when compressed)

# Dedicated Cap for LM Rail Mounting Holes

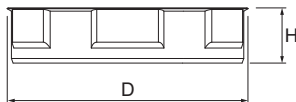
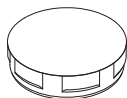
Using dedicated caps to cover the LM rail mounting holes helps prevent foreign material from entering the mounting holes and LM block.



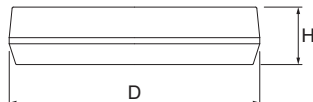
## ● Cap CV/Cap C

The caps are made of a special synthetic resin.

The CV cap is the successor to the C cap, and its new structure makes it easier to insert.



Cap CV



Cap C

Dimensions and Supported Model Numbers

Model No.	Bolt used	Main dimensions(mm)		Supported model number																
		D	H	SSR	SR	SVR SVS NR-X NRS-X	NR NRS	SHS HSR SCR CSR HCR	HMG	SHW HRW	SRG SRN	SRW	GSR	HR	SRS RSR	SRS-W RSR-W	RSX	RSX-W	NSR-TBC	
C3	M3	6.3	1.2	—	15	—	—	12	—	—	—	—	—	1123 1530	12 15	9	12 15	9	—	—
C4	M4	7.9	1.0	15Y	—	—	—	15	15	12*, 14, 17, 21, 27	15	—	15	—	—	14	—	—	—	—
CV5	M5	9.8	2.6	20 25	20 25	25	—	20	—	—	20	—	20	2042	20	—	—	—	—	20
CV6	M6	11.4	2.6	25Y 30	25Y 30	30	—	25	25	35	25	—	25	—	25	—	—	—	—	25 30
CV8	M8	14.4	3.3	35	35	35	—	30 35	35	50	30 35	—	30	2555 3065	—	—	—	—	—	40
CV10	M10	17.9	3.3	—	45	—	—	—	—	60	—	70	35	3575	—	—	—	—	—	50
CV12	M12	20.4	3.4	—	55	45	—	45	45	—	45	85	—	4085	—	—	—	—	—	70
CV14	M14	23.4	5.5	—	—	55	—	55	—	55	100	—	—	—	—	—	—	—	—	—
CV16	M16	26.4	5.6	—	70 85	65	—	65	65	—	65	130	—	50105	—	—	—	—	—	—
C20	M20	32.3	5.7	—	—	—	75	—	—	—	—	—	—	—	—	—	—	—	—	—
C22	M22	35.5	5.7	—	—	—	85	85	—	—	85	150	—	—	—	—	—	—	—	—
C24	M24	39.5	7.7	—	—	—	100	100	—	—	100	—	—	—	—	—	—	—	—	—

\*#12 applies to SHW only.

Note1) Contact THK if this product will be used in special environments such as in a vacuum, at very low or high temperatures, or with coolants or corrosive solvents.

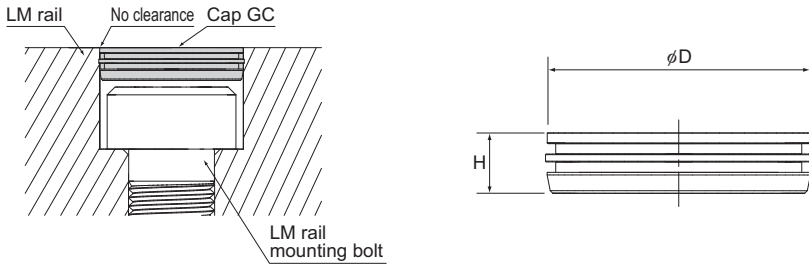
Note2) CV caps and C caps must be arranged separately from the LM Guide.

Note3) Contact THK if caps C5 to 16 are desired.

### ● Cap GC

GC caps are made of metal. (They are RoHS compliant.)

GC caps adhere closer to the counterbore than CV caps and C caps, so there is no clearance once they are inserted.



Dimensions and Supported Model Numbers

Model No.	Bolt used	Main dimensions(mm)		LM Guide model number												
		D	H	SSR	SR	SVR SVS NR-X NRS-X	NR NRS	SHS HSR HCR	SCR CSR	SHW HRW	SRG SRN	SRW	GSR	HR	NSR-TBC	
GC5	M5	9.86	2.5	20	20	25	—	20	20	—	20	—	20	2042	20	
GC6	M6	11.36	2.5	25Y 30	25Y 30	30	—	25	25	35	25	—	25	—	25 30	
GC8	M8	14.36	3.5	35	35	35	—	30 35	30 35	50	30 35	—	30	2555 3065	40	
GC10	M10	17.86	3.5	—	45	—	—	—	60	—	70	35	3575	50		
GC12	M12	20.36	4.6	—	55	45	—	45	45	—	45	85	—	4085	70	
GC14	M14	23.36	5.0	—	—	55	—	55	—	—	55	100	—	—	—	
GC16	M16	26.36	5.0	—	70 85	65	—	65	65	—	65	130	—	50105	—	
GC22	M22	35.36	5.0	—	—	—	85	85	—	—	85	150	—	—	—	
GC24	M24	39.36	5.0	—	120	—	100	100	—	—	100	—	—	—	—	

Note1) GC caps are only sold with LM Guides. They are not sold separately.  
The LM Guide model number code will have "GC" at the end when it is delivered.

(Example 1) Multiple axes: SVR45LR+1200L - II GC

GC caps attached

Symbol for No. of rails used on the same plane (2 axes)

(Example 2) One axis: SVR45LR+1200L GC

GC caps attached

Note2) GC caps cannot be used with LM rails that are made of stainless steel or rails that have undergone surface treatment.

Note3) LM rail mounting holes for GC caps are special. (The mouth is not chamfered.)

Note4) Be careful not to injure your hand when inserting GC caps.

Note5) Be sure to make the GC caps level with the upper surface of the LM rail and clean (wipe) that surface after insertion.

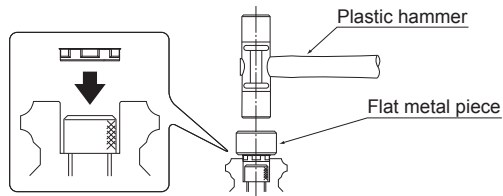
Note6) If this product will be used in special environments, such as in a vacuum or at very low or high temperatures, contact THK.

### ● Guidelines for use in extreme environments

Extreme environment		Cap C Cap CV	GC cap	Example of use
Foreign matter concentration: Low	Metal powder, sputtering	○	◎	Welding machines, robots
	Wood shavings, coolant (Environments that strip away oils)	○	◎	Woodworking machinery, washers
	Metal powder + coolant	○	◎	Lathes, machining centers
Foreign matter concentration: High	Metal powder, sputtering	△	◎	Welding machines, robots
	Wood shavings, coolant (Environments that strip away oils)	△	◎	Woodworking machinery, washers
	Metal powder + coolant	△	◎	Lathes, machining centers

◎: Particularly effective ○: Effective △: Not particularly effective

### ● Cap insertion method

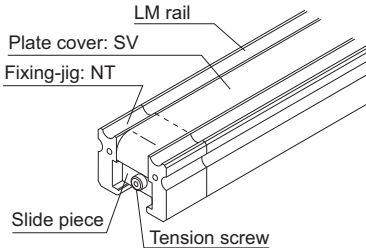
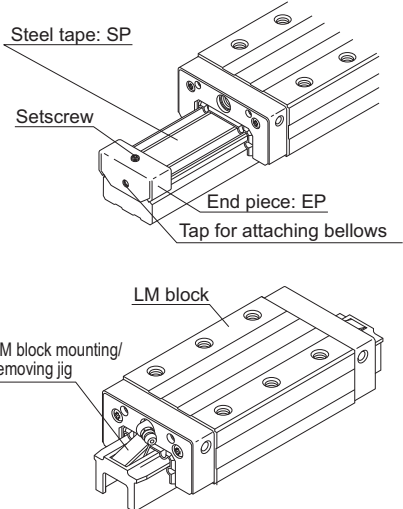


For best performance, caps must be inserted so that they are level with the rail surface. Have a flat aligning fitting and plastic hammer available.

- ① Set the cap on the LM rail mounting hole and place the alignment fitting on top.
- ② Use the plastic hammer to gradually drive the cap in until it is level with the upper surface of the LM rail.
- ③ As necessary, remove any slight burrs that appear.

# Plate Cover SV Steel Tape SP

● For the supported models, see the table of options by model number on **A1-478**.

Item name	Schematic diagram / mounting location	Purpose/location of use
<p>Plate Cover SV</p>		<p>For the LM Guide, steel tapes are available as a means of contamination protection for machine tools. By covering the LM rail mounting holes with an ultra-thin stainless steel (SUS304) plate, the plate cover SV drastically increases sealability, thus to prevent the penetration of a coolant or cutting chips from the top face of the LM rail.</p> <p>For the mounting method, see <b>A1-538</b>.</p> <p>Note) When mounting the plate cover, the LM rail needs to be machined. Indicate that the plate cover is required when ordering the LM Guide.</p>
<p>Steel Tape SP</p>		<p>For the LM Guide, steel tapes are available as a means of contamination protection for machine tools. By covering the LM rail mounting holes with an ultra-thin stainless steel (SUS304) plate, the steel tape SP drastically increases sealability, thus to prevent the penetration of a coolant or cutting chips from the top face of the LM rail. (When mounting the steel tape, end piece EP can be used as a means to secure the cover.)</p> <p>For the mounting method, see <b>A1-539</b>.</p> <p>Note) When mounting the steel tape, the LM rail needs to be machined. Indicate that the steel tape is required when ordering the LM Guide.</p>

### [Mounting Procedure for Plate Cover SV]

- (1) Attach slide pieces to the plate cover.

Place the slide pieces on the plate cover with their chamfered sides facing outward, hold the plate cover with the slide pieces and the securing plates, and then secure them with countersunk screws.

- (2) Use an LM block mounting/removing jig to remove the LM block from the LM rail, and then mount the fixing-jigs onto the LM rail.

- (3) Temporarily secure either slide piece.

Insert either slide piece into one of the fixing-jigs, then attach the slide piece to the LM rail's end face using the tension adjustment bolt and gently secure the bolt until the bolt head is inside the fixing-jig.

- (4) Temporarily secure the other slide piece.

Temporarily secure the other slide piece in the same manner as above.

- (5) Apply tension to the plate cover.

Apply tension to the plate cover by evenly securing the tension adjustment bolts on both ends of the LM rail. Make sure there is only a small difference between the H and H' dimensions in Fig.5. If the difference is too large, there may be no interference left on either end.

- (6) Mount the LM block on the LM rail.

Identify the reference surface of the LM rail and the LM block, then insert the LM rail into the LM block using the LM block mounting / removing jig.

Note1) When removing or the mounting the LM block, use much care not to let the balls fall off.

Note2) The plate cover is an ultra-thin stainless steel (SUS304) plate. When handling it, use much care not to bend it.

Note3) The plate cover is available for model NR/NRS 75.

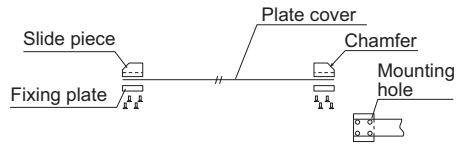


Fig.1



Fig.2

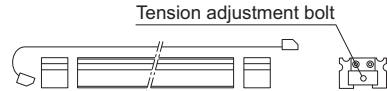


Fig.3

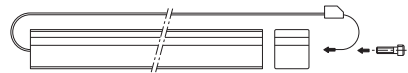


Fig.4



Fig.5

**[Mounting Procedure for Steel Tape SP]**

- (1) Use an LM block mounting/removing jig to remove the LM block from the LM rail.
- (2) Thoroughly degrease and clean the top face of the LM rail, to which the steel tape is to be adhered. For degreasing, use an adequately volatile detergent (e.g., industrial alcohol).
- (3) Carefully adhere the steel tape from the end with care not to let it bend or sag, while gradually peeling the release paper from the steel tape.
- (4) Have the steel tape settle on the rail by rubbing the tape. The adhesive strength increases with time. The adhering tape can be peeled off by pulling its end upward.
- (5) Mount the LM block onto the LM rail using the LM block mounting/removing jig.
- (6) Attach the end pieces on both ends of the LM rail and further secure the steel tape. When securing the end pieces, fasten only the setscrew on the top face of each end piece.

(The tap on the end face of the end piece is used for mounting bellows.)

Note1) The setscrew on the side face is used to lightly secure the bent steel tape. Be sure to stop fastening the screw as soon as it hits the end face, and do not force the screw further.

Note2) Since the steel tape is a thin steel plate, mishandling it may cause an accident such as cutting your finger. When handling it, take an effective safety measure such as wearing rubber gloves.

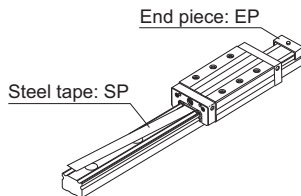


Fig.6



Fig.7

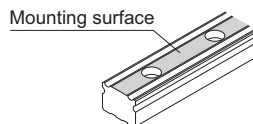


Fig.8

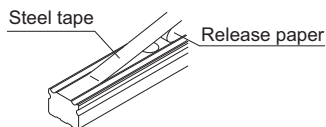


Fig.9

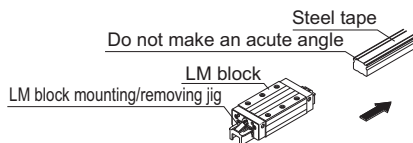


Fig.10

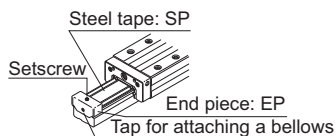


Fig.11

# Lubrication Adapter

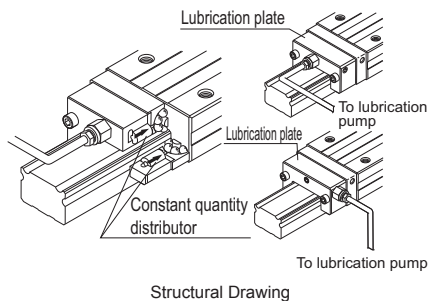
An oil lubricant-only lubrication adapter is available for models NR/NRS.

Even if the LM Guide is installed in an orientation where oil lubrication is difficult, such as wall mount and inversed mount, the adapter is capable of feeding a constant quantity of lubricant to the four raceways.

## [Features]

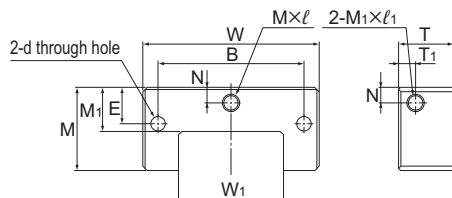
The dedicated lubrication adapter for models NR-NRS is built in with a constant quantity distributor. Therefore, the adapter can accurately feed a constant quantity of lubricant to each raceway regardless of the mounting orientation. The adapter is economical since it is capable of constantly feeding the optimum amount of lubricant and helping eliminate the supply of surplus lubricant.

To provide pipe arrangement, simply connect an intermittent lubrication pump widely used for ordinary machine tools to the greasing holes (M8) on the front and the side of the lubrication adapter.



## [Specifications]

Viscosity range of lubricant used	32 to 64 mm <sup>2</sup> /s recommended
Discharge	0.03×4, 0.06×4cc/1shot
Diameter of pipe connected	φ4, φ6
Material	Aluminum alloy



Dimension Table

Unit: mm

Model No.	Main dimensions												Quantity per shot (cc/shot)
	Width W	Height M	T	W <sub>1</sub>	M <sub>1</sub>	B	E	N	T <sub>1</sub>	d	M×ℓ	M <sub>1</sub> ×ℓ <sub>1</sub>	
A30N	56	29	25	29	14.5	46	14	5	5.3	3.5	M8×8	M8×8	0.03×4
A35N	66	33	25	35	17	54	16.5	6	5.3	4.5	M8×8	M8×8	
A45N	81	38	25	48	20	67	16.5	7	7.8	6.6	M8×8	M8×8	
A55N	94	45.5	25	56	22	76	20.5	7	7.8	6.6	M8×8	M8×8	0.06×4
A65N	119	55.5	25	67	26.3	92	25.5	11.5	7.8	9	M8×8	M8×8	
A85N	147	68.5	25	92	34	114	32	15.5	7.8	9	M8×8	M8×8	



## Removing/mounting Jig

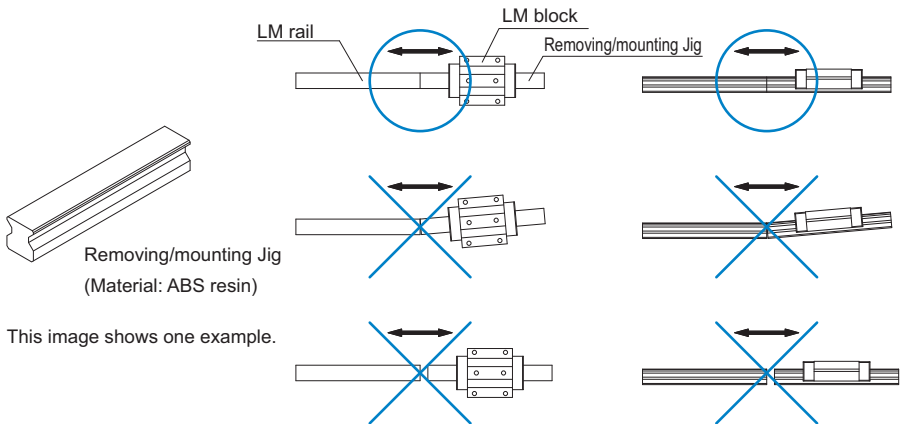
When assembling the guide, do not remove the LM block from the LM rail whenever possible. If it is inevitable to remove the LM block due to the plate cover type or the assembly procedure, be sure to use the removing/mounting jig.

Mounting the LM block without using the removing/mounting jig may cause rolling elements to fall from the LM block due to contamination by foreign material, damage to internal components or slight inclination. Mounting the LM block with some of the rolling elements missing may also cause damage to the LM block at an early stage.

When using the removing/mounting jig, do not incline the jig and match the ends of both LM rails. The removing/mounting jig may not be available, depending on model. If this is the case, use a spare LM rail. Contact THK for details.

If any of the rolling elements falls from the LM block, contact THK instead of using the product.

Note that the removing/mounting jig is not included in the LM Guide package as standard. When desiring to use it, contact THK.



## End Piece EP

For those models whose balls may fall if the LM rail is pulled out of the LM block, an end piece is attached to the product to prevent the LM block from being removed from the LM rail.

For models that can use the end piece, see the table below.

If removing the end piece when using the LM Guide, be sure that the LM block will not overshoot.

The end piece can also be used as a fixing jig for a steel tape, and is available also for the LM rail of models SSR, SR and HSR.

Table1 Dimension Table for End Piece EP for Models NR/NRS

Unit: mm

Model No.	A	B	C	T
NR/NRS 75	81.7	28	56	3.2
NR/NRS 85	91.4	22	68	3.2
NR/NRS 100	106.4	25	73	3.2

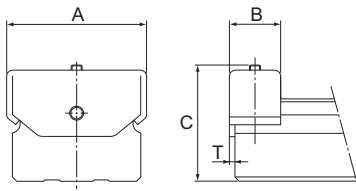


Fig.1 End Piece EP for Models NR/NRS

## Model Number Coding

Model number configurations differ depending on the model features. Refer to the corresponding sample model number configuration.

### [LM Guide]

- Models SHS, SSR, SVR/SVS, SHW, HSR, SR, NR/NRS-X, NR/NRS, HRW, JR, NSR-TBC, HSR-M1, SR-M1 and HSR-M2

SHS25	LC	2	QZ	KKHH	C0	F	S	+1200L	P	Z	T	F	S	-II
Model No.	Type of LM block	With QZ Lubricator	Contamination protection accessory symbol (*1)				LM rail length (in mm)			Symbol for LM rail jointed use			Symbol for No. of rails used on the same plane (*5)	
	No. of LM blocks used on the same rail	Radial clearance symbol (*2)	Normal (No symbol)			LM block special feature symbol Standard (No Symbol)/E/S			With steel tape			LM rail special feature symbol Standard (No Symbol)/E/S		
		Light preload (C1)	Medium preload (C0)		LM block with surface treatment (*3)		Accuracy symbol (*4)			LM rail with surface treatment (*3)				
							Normal grade (No Symbol)							
							Precision grade (P)							
							Super precision grade (SP)							
							Ultra precision grade (UP)							

(\*1) See contamination protection accessory on **A1-516**. (\*2) See **A1-71**.

(\*3) See **B0-20**. (\*4) See **A1-76**. (\*5) See **A1-13**.

Note1) This model number indicates that a single-rail unit constitutes one set. (i.e., required number of sets when 2 rails are used in parallel is 2 at a minimum.)

Those models equipped with QZ Lubricator cannot have a grease nipple. When desiring a grease nipple for a model attached with QZ, contact THK.

Note2) Contact THK for details about the special features of LM blocks and LM rails.

### ● Model EPF

EPF7M	16	+55L	P	M
Model No.	LM rail length (in mm)			Rail material: Stainless steel (standard)
	Guaranteed stroke (in mm)			Accuracy symbol (*1)

(\*1) See **A1-86**.

Note) This model number indicates that a single-rail unit constitutes one set.

### [Caged Roller LM Guide]

#### ● Models SRG, SRN, and SRW

SRG45	LC	2	QZ	TTHH	C0	F	S	+1200L	P	Z	T	F	S	- II
Model No.	Type of LM block	With QZ Lubricator	Contamination protection accessory symbol (*1)	LM rail length (in mm)	LM block special feature symbol	Standard (No Symbol)/E/S	LM rail length (in mm)	Accuracy symbol (*4)	Symbol for LM rail jointed use	With plate cover	Symbol for No. of rails used on the same plane (*5)	LM rail special feature symbol	Standard (No Symbol)/E/S	
No. of LM blocks used on the same rail	Radial clearance symbol (*2)	Normal (No symbol)	Light preload (C1)	Medium preload (C0)	LM block with surface treatment (*3)	High accuracy grade (H)	Precision grade (P)	Super precision grade (SP)	Ultra precision grade (UP)	LM rail with surface treatment (*3)				

(\*1) See contamination protection accessory on **A1-516**. (\*2) See **A1-71**.  
 (\*3) See **B0-20**. (\*4) See **A1-76**. (\*5) See **A1-13**.

Note1) Models SRG35 to 65 are available in high accuracy grade and above. Other models are only available in precision grade or above. (Normal grade is not available.)

Models SRN and SRW are available in precision grade or above. (Normal and H grade are not available.)

Note2) This model number indicates that a single-rail unit constitutes one set. (i.e., required number of sets when 2 rails are used in parallel is 2 at a minimum.)

Those models equipped with QZ Lubricator cannot have a grease nipple. When desiring a grease nipple for a model attached with QZ, contact THK.

Note3) Contact THK for details about the special features of LM blocks and LM rails.

### [Miniature Type LM Guide]

#### ● Models SRS, RSX, RSR, and RSR-M1

2	SRS20M	QZ	UU	C1	F	S	+220L	P	M	F	S	- II	
Model No.	With QZ Lubricator	Contamination protection accessory symbol (*2)	LM rail length (in mm)	Stainless steel LM rail	Symbol for No. of rails used on the same plane (*6)	LM rail special feature symbol	Standard (No Symbol)/E/S	Accuracy symbol (*5)	Normal grade (No Symbol) LM rail	High accuracy grade (H)	Precision grade (P)	LM rail with surface treatment (*4)	
No. of LM blocks used on the same rail (*1)	Radial clearance symbol (*3)	LM block with surface treatment (*4)	Normal (No symbol)	Light preload (C1)	LM block with surface treatment (*4)	Accuracy symbol (*5)	Normal grade (No Symbol) LM rail	High accuracy grade (H)	Precision grade (P)	LM rail with surface treatment (*4)			

(\*1) No symbol for 1 LM block. (\*2) See contamination protection accessories on **A1-516**.  
 (\*3) See **A1-71**. (\*4) See **B0-20**. (\*5) See **A1-76**. (\*6) See **A1-13**.

Note1) This model number indicates that a single-rail unit constitutes one set. (i.e., required number of sets when 2 rails are used in parallel is 2 at a minimum.)

Those models equipped with QZ Lubricator cannot have a grease nipple. When desiring a grease nipple for a model attached with QZ, contact THK.

Note2) Contact THK for details about the special features of LM blocks and LM rails.

### [Cross LM Guide]

#### ● Models SCR, CSR, and MX

4	SCR25	QZ	KKHH	C0	+1200/1000L	P
Model No.	Contamination protection accessory symbol (*1)	LM rail length on the X axis (in mm)	LM rail length on the Y axis (in mm)	Accuracy symbol (*3)		
Total No. of LM blocks	With QZ Lubricator	Radial clearance symbol (*2)	Normal (No symbol)/Light preload (C1)	Medium preload (C0)	Precision grade (P)/Super precision grade (SP)	Ultra precision grade (UP)

(\*1) See contamination protection accessory on **A1-516**. (\*2) See **A1-71**. (\*3) See **A1-76**.

Note) Those models equipped with QZ Lubricator cannot have a grease nipple. When desiring a grease nipple for a model attached with QZ, contact THK.

## [Separate LM Guides]

## ● Model HR

<b>2</b>	<b>HR2555</b>	<b>UU</b>	<b>M</b>	<b>+1000L</b>	<b>P</b>	<b>T</b>	<b>M</b>
Model No.	Contamination protection accessory symbol (*1)	LM rail length (in mm)	Symbol for LM rail jointed use	Stainless steel LM rail			
No. of LM blocks used on the same rail	Stainless steel LM block	Accuracy symbol (*2)	Normal grade (No Symbol)/High accuracy grade (H)/Precision grade (P) Super precision grade (SP)/Ultra precision grade (UP)				

(\*1) See contamination protection accessory on **A1-516**. (\*2) See **A1-76**.

Note) One set of model HR means a combination of two LM rails and an LM blocks used on the same plane.

## ● Model GSR

## ● LM block

<b>GSR25</b>	<b>T</b>	<b>UU</b>
Model number	Contamination protection accessory symbol (*1)	Type of LM block

## ● LM rail

<b>GSR25</b>	<b>-1060L</b>	<b>H</b>	<b>K</b>
Model number	LM rail length (in mm)	Accuracy symbol (*2)	Symbol for tapped-hole LM rail type
Normal grade (No Symbol)/High accuracy grade (H) Precision grade (P)			

(\*1) See contamination protection accessory on **A1-516**. (\*2) See **A1-76**.

## ● Combination of LM rail and LM block

<b>GSR25</b>	<b>T</b>	<b>2</b>	<b>UU</b>	<b>+1060L</b>	<b>H</b>	<b>T</b>	<b>K</b>
Model No.	Type of LM block	Contamination protection accessory symbol (*1)	LM rail length (in mm)	Symbol for LM rail jointed use	Symbol for tapped-hole LM rail type		
No. of LM blocks used on the same rail	Accuracy symbol (*2)			Normal grade (No Symbol)/High accuracy grade (H)/Precision grade (P)			

(\*1) See contamination protection accessory on **A1-516**. (\*2) See **A1-76**.

Note) One set of model GSR: This model number indicates that a single-rail unit constitutes one set.

## [R Guide]

## ● Model HCR

<b>HCR25A</b>	<b>2</b>	<b>UU</b>	<b>C1</b>	<b>+60 / 1000R</b>	<b>H</b>	<b>6</b>	<b>T</b>
Model No.	Contamination protection accessory symbol (*1)	R-Guide center angle	LM rail radius (in mm)	Symbol for LM rail jointed use (*5)	Number of LM rail joints used on one axis (*4)		
No. of LM blocks used on the same rail	Radial clearance symbol (*2)	Accuracy symbol (*3)	Normal grade (No Symbol)/High accuracy grade (H)				

(\*1) See **A1-516** (contamination protection accessories). (\*2) See **A1-71**. (\*3) See **A1-76**.

(\*4) Number of LM rails used on one arc. Contact THK for details.

(\*5) When using jointed LM rails, the dust prevention seal must be a low-resistance seal (dust prevention code: LL).

## [Straight-Curved Guide]

### ● Model HMG

							When 2 rails are used
<b>HMG15A</b>							<b>2 UU C1 +1000L T + 60/150R 6T + 60/300R 6T - II</b>
Model No.	Contamination protection accessory symbol (*1)	Overall linear LM rail length per rail	Center angle of one inner curved rail	No. of inner curved LM rails jointed	Radius of outer curved rail	Symbol for No. of rails used on the same plane (*2)	
No. of LM blocks used on the same rail	Radial clearance symbol Normal (No symbol)/Light preload (C1)	Symbol for linear LM rail joint	Radius of inner curved rail	Center angle of one outer curved rail	No. of outer curved LM rails jointed		

(\*1) See contamination protection accessory on **A1-516**. (\*2) See **A1-13**.

Note) This model number denotes one set consists of an LM block and LM rail. (i.e. If you are using 2 shafts, the required number of sets is 2.)

The standard Model HMG does not have a seal. To attach a seal, make sure to specify a straight-curved seal (code: UU).

## [LM Guide for Medium-to-Low Vacuum]

### ● Model HSR-M1VV

<b>HSR15M1R</b>				<b>1 VV C1 +400L P - II</b>
Model No.	Labyrinth seal symbol (*2)	Radial clearance symbol (*1)	Accuracy symbol (*3)	Symbol for No. of rails used on the same plane (*4)
No. of LM blocks used on one rail		LM rail length (in mm)		

(\*1) See **A1-71**. (\*2) See **A1-393**. (\*3) See **A1-76**. (\*4) See **A1-13**.

Note1) The radial clearance, maximum LM rail length and accuracy class are equal to that of model HSR.

Note2) With this model, a single-rail unit constitutes one set (i.e., the required number of sets when 2 rails are used in parallel is 2).

## [Oil-Free LM Guide for Special Environments]

### ● Model SR-MS

<b>SR15MSV</b>		<b>1 CS +340L P - II</b>
Model No.	Radial clearance symbol (*1)	Symbol for No. of rails used on the same plane (*3)
No. of LM blocks used on one rail	LM rail length (in mm)	Accuracy symbol (*2)

(\*1) See **A1-71**. (\*2) See **A1-76**. (\*3) See **A1-13**.

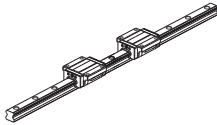
Note) With this model, a single-rail unit constitutes one set (i.e., the required number of sets when 2 rails are used in parallel is 2).

## Notes on Ordering

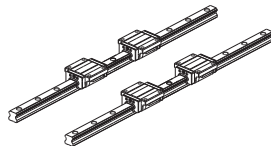
### [Order units]

Note that the number of items that constitute one set differs depending on the type of LM guide. Check the sample model number configurations and the accompanying notes.

#### ● Sample LM guide orders

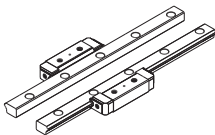


SHS25C2SSC1+640L 1 set



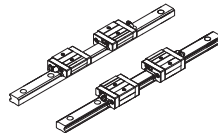
SHS25C2SSC1+640L-II 2 sets

#### ● Sample model HR orders



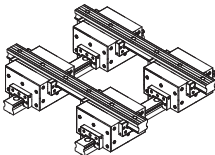
HR2555UU+600L 1 set

#### ● Sample model GSR and GSR-R orders



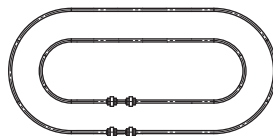
GSR25T2UU+1060L 2 sets

#### ● Sample cross LM guide orders (SCR, CSR and MX)



4SCR25UU+1200/1000LP 1 set

#### ● Sample model HMG orders



HMG15A.2 UU C1 + 1000L T + 60/150R 6T + 60/300R 6T - II 2 sets  
 Note) When ordering model HMG, attach a reference diagram clearly showing the positioning of the LM block and LM rail.

**[Mounted orientation and lubrication method]**

When placing an order, be sure to let THK know the mounting orientation and the exact position in each LM block where the grease nipple or the piping joint should be attached.

For the mounting orientation and the lubrication, see **A1-12** and **A24-2**, respectively.

**[Supported options]**

The supported options differ depending on the model number. Check the available options when ordering.

See **A1-478**.

**[Maximum manufactured lengths for LM rails]**

Where a high degree of precision is required, limits apply to the maximum manufactured lengths for LM rails. In such situations, contact THK.



## Precautions on Using the LM Guide

### [Handling]

- (1) Please use at least two people to move any product weighing 20 kg or more, or use a dolly or another conveyance. Doing so may cause injury or damage.
- (2) Do not disassemble the parts. This will result in loss of functionality.
- (3) Tilting an LM block or LM rail may cause them to fall by their own weight.
- (4) Take care not to drop or strike the LM Guide. Doing so may cause injury or damage. Giving an impact to it could also cause damage to its function even if the product looks intact.
- (5) Do not remove the LM block from the LM rail during setup.
- (6) Do not insert hands or fingers into the mounting holes on the LM rail, as they could get caught between the rail and the LM block, resulting in injury.
- (7) To ensure personal safety, wear gloves and protective footwear when handling this product.

### [Precautions on Use]

- (1) Prevent foreign material, such as cutting chips or coolant, from entering the product. Failure to do so may cause damage.
- (2) If the product is used in an environment where cutting chips, coolant, corrosive solvents, water, etc., may enter the product, use bellows, covers, etc., to prevent them from entering the product.
- (3) Do not use this product if the external temperature exceeds 80°C. Unless the unit is specially designed to be heat-resistant, exposure to such temperatures may deform or damage plastic and rubber parts.
- (4) If foreign material such as cutting chips adheres to the product, replenish the lubricant after cleaning the product.
- (5) Micro-strokes tend to obstruct oil film to form on the raceway in contact with the rolling element, and may lead to fretting corrosion. Take consideration using grease offering excellent fretting prevention. It is also recommended that a stroke movement corresponding to the length of the LM block be made on a regular basis to make sure oil film is formed between the raceway and rolling element.
- (6) Do not use undue force when fitting parts (pin, key, etc.) to the product. This may generate permanent deformation on the raceway, leading to loss of functionality.
- (7) If, for operational reasons, it becomes absolutely necessary to remove the LM block from the LM rail and reattach it, a special mounting jig must be used for this purpose. (The mounting jig is not included with standard versions of the product. To obtain one, please contact THK.)
- (8) Position the mounting jig so that one end abuts the end of the LM rail. When the rail and the jig are exactly aligned, the LM block can be loaded onto the rail.
- (9) Take care to keep the LM block straight. Loading the block at an angle can introduce foreign matter, damage internal components, or cause balls to fall out.
- (10) The LM block must contain all its internal rolling elements (balls) when mounted on the LM rail. Using a block with any balls removed may result in premature damage.
- (11) Please contact THK if any balls fall out of the LM block; do not use the block if any balls are missing.

- (12) If the LM Guide breaks due to an accident or other cause, the block may come off of the rail and fall. For the safe use of this product, take precautions such as adding a mechanism to prevent the block from falling.
- (13) Insufficient rigidity or accuracy of mounting members causes the bearing load to concentrate on one point and the bearing performance will drop significantly. Accordingly, give sufficient consideration to the rigidity/accuracy of the housing and base and strength of the fixing bolts.
- (14) When removing the LM block from the LM rail and then replacing the block, an LM block mounting/removing jig that facilitates such installation is available. Contact THK for details.

#### [Lubrication]

- (1) Thoroughly remove anti-rust oil and feed lubricant before using the product.
- (2) Do not mix different lubricants. Mixing greases using the same type of thickening agent may still cause adverse interaction between the two greases if they use different additives, etc.
- (3) When using the product in locations exposed to constant vibrations or in special environments such as clean rooms, vacuum and low/high temperature, use the grease appropriate for the specification/environment.
- (4) When lubricating the product having no grease nipple or oil hole, apply grease directly on the raceway and stroke the product several times to let the grease spread inside.
- (5) The consistency of grease changes according to the temperature. Take note that the slide resistance of the LM Guide also changes as the consistency of grease changes.
- (6) After lubrication, the slide resistance of the LM Guide may increase due to the agitation resistance of grease. Be sure to perform a break-in to let the grease spread fully, before operating the machine.
- (7) Excess grease may scatter immediately after lubrication, so wipe off scattered grease as necessary.
- (8) The properties of grease deteriorate and its lubrication performance drops over time, so grease must be checked and added properly according to the use frequency of the machine.
- (9) Although the lubrication interval may vary according to use conditions and the service environment, lubrication should be performed approximately every 100 km in travel distance (three to six months). Set the final lubrication interval/amount based on the actual machine.
- (10) If the mounting orientation is other than horizontal use, the lubricant may not reach the raceway completely. For the mounting orientation and the lubrication, see **B 1-28** and **B 24-2**, respectively.
- (11) When adopting oil lubrication, the lubricant may not be distributed throughout the LM block depending on the mounting orientation of the block. Contact THK in advance for details.

#### [Storage]

When storing the LM Guide, enclose it in a package designated by THK and store it in a room in a horizontal orientation while avoiding high temperature, low temperature and high humidity. After the product has been in storage for an extended period of time, lubricant inside may have deteriorated, so add new lubricant before use.

#### [Disposal]

Dispose of the product properly as industrial waste.

# Precautions on Handling the LM Guide for Special Environment

## LM Guide for Medium-to-Low Vacuum

### [Handling]

- (1) This product has been thoroughly cleaned and degreased and then sealed in moisture-proof packaging. If possible, open the package immediately prior to using the product.
- (2) Once the packaging has been opened, store the product inside a clean, dry receptacle accompanied by silica gel or another drying agent. Do not use anti-rust oil or corrosion- or tarnish-preventive paper or fluid with this product.
- (3) Wear protective rubber or vinyl gloves while handling this product and make sure the surrounding environment is relatively clean.

## Oil-Free LM Guide

### [Handling]

- (1) The Oil-Free LM Guide is suitable for use at high temperatures, under atmospheric pressure or in a high-vacuum environment of  $10^{-6}$  Pa, and is designed for ultra-low dust emission. It is not intended for use in locations requiring rigidity. Because a preload would affect the strength of its Dry Lubrication S-Compound Film, it does not support preloads.
- (2) The product can be used in temperatures ranging from  $-20$  to  $150^{\circ}\text{C}$ .
- (3) To ensure proper function of the Dry Lubrication S-Compound Film, use this product in an environment free from condensation, at a humidity level of 40% or less.
- (4) This product is not intended for joint use.
- (5) Great care must be taken in the installation of the Oil-Free LM Guide, which requires greater precision compared to standard LM Guides.
- (6) If the LM block is removed from the LM rail, balls may fall out, and the Dry Lubrication S-Compound Film can be damaged when the block is remounted. If it becomes necessary to remove the LM block from the LM rail, please contact THK.
- (7) This product should be stored in a horizontal position, in its original wrapping and package, in a controlled, stable environment free from abnormal high or low temperatures or high humidity. THK recommends storing it at room temperature ( $25\pm 5^{\circ}\text{C}$ ), with a humidity level of 40% RH or lower and an air-purity level of 10,000 or lower.
- (8) This product has been thoroughly cleaned and degreased and then sealed in moisture-proof packaging. If possible, open the package immediately prior to using the product.
- (9) Once the packaging has been opened, store the product inside a clean, dry receptacle accompanied by silica gel or another drying agent. Do not use anti-rust oil or corrosion- or tarnish-preventive paper or fluid with this product.
- (10) Wear protective rubber or vinyl gloves while handling this product and make sure the surrounding environment is relatively clean.

# Precautions on Using Options for the LM Guide

## QZ Lubricator for the LM Guide

For details regarding the QZ, see **A1-509**.

### [Precaution on Selection]

Secure a stroke longer than the overall LM block with QZ Lubricator attached.

### [Handling]

Take care not to drop or strike this product. This could cause injury or product damage.

Do not block the vent hole with grease or the like.

The QZ device supplies oil only to the raceway, so use it in combination with regular greasing/lubrication. If the product is used in an environment exposed to coolant, cutting chips or other foreign material, oil on the raceway is lost easily. Accordingly, be sure to also use covers, bellows, etc.

### [Service environment]

Be sure the service temperature of this product is between  $-10$  to  $50^{\circ}\text{C}$ , and do not clean the product by immersing it in an organic solvent or white kerosene, or leave it unpacked.

## Laminated Contact Scraper LaCS, Side Scraper for LM Guides

For details regarding the LaCS, see **A1-484**. For details regarding the side scraper, see **A1-486**.

### [Handling]

The lubricant impregnated into the scraper is used to increase its sliding capability. For lubrication of the LM Guide, attach QZ Lubricator, or the grease nipple on the side face of the end plate of the LM block, before providing a lubricant.

When using the product, be sure to attach the rail cap C or the plate cover.

### [Service environment]

Be sure the service temperature of this product is between  $-20$  to  $+80^{\circ}\text{C}$ , and do not clean the product by immersing it in an organic solvent or white kerosene, or leave it unpacked.

### [Notes on the Product Functions]

It is specifically designed to provide dust prevention capability to remove foreign material and liquid. To seal oil, an end seal is required.

---

## Light Contact Seal LiCS for LM Guides

---

For details regarding the LiCS, see **A1-489**.

### [Handling]

The lubricant impregnated into LiCS is used to increase its sliding capability. For lubrication of the LM Guide, attach the grease nipple on the end plate of the LM block before providing a lubricant.

### [Service environment]

Be sure the service temperature of this product is between  $-20$  to  $+80^{\circ}\text{C}$ , and do not clean the product by immersing it in an organic solvent or white kerosene, or leave it unpacked.

It contacts only with the LM rail raceway. Do not use it in harsh environments.

---

## High Chemical Resistance Fluorine Seal FS for the LM Guide

---

For details about the fluorine seal, see **A1-490**.

### [Handling]

Be careful not to twist the seal portion when attaching the fluorine seal to the LM Guide. Also, do not store the product in a way that may deform the seal, such as by stacking it. This may cause damage or reduce the seal's functionality.

### [Service environment]

The service temperature range is between  $-20^{\circ}\text{C}$  and  $80^{\circ}\text{C}$ . Avoid cleaning with organic solvents or kerosene, and do not store unwrapped for extended periods of time.

---

## Cap GC

---

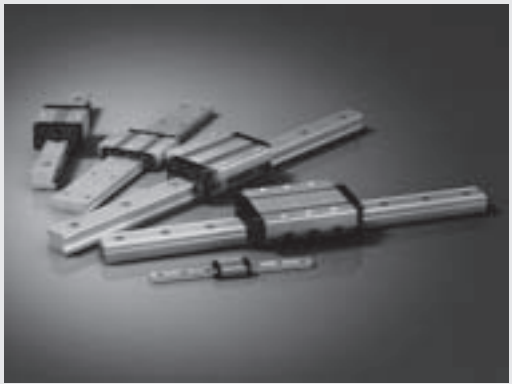
For details regarding the GC cap, see **A1-535**.

### [Handling]

If GC caps are specified for the product, the edges of the LM rail mounting hole openings will be sharp. Take great care not to injure your fingers or hands while working.

When fitting GC caps, use a flat aligning tool to gradually punch the cap into the hole until it is level with the upper surface of the LM rail. Then run an oil stone over the rail until the upper surface of the rail and the GC caps are completely flat.





# LM Guide®

THK General Catalog

# LM Guide

THK General Catalog

## B Support Book

<b>Features and Types</b> .....	B 1-8	• Methods for Measuring Accuracy after Installation ..	B 1-101
Features of the LM Guide .....	B 1-8	• Recommended Tightening Torque for LM Rails ..	B 1-101
• Large Permissible Load and High Rigidity ..	B 1-9		
• High Precision of Motion .....	B 1-11		
• Accuracy Averaging Effect by Absorbing Mounting Surface Error ..	B 1-14		
• Easy Maintenance .....	B 1-16		
• Substantial Energy Savings .....	B 1-17		
• Low Total Cost .....	B 1-18		
• Ideal Four Raceway, Circular-Arc Groove, Two-Point Contact Structure ..	B 1-19		
• Superb Error-Absorbing Capability with the DF Design ..	B 1-23		
Classification Table of the LM Guides ...	B 1-24		
<b>Point of Selection</b> .....	B 1-26		
Flowchart for Selecting an LM Guide ....	B 1-26		
Setting Conditions .....	B 1-28		
• Conditions of the LM Guide .....	B 1-28		
Selecting a Type .....	B 1-44		
• Types of LM Guides .....	B 1-44		
Calculating the Applied Load .....	B 1-56		
• Calculating an Applied Load .....	B 1-56		
• Example of calculation .....	B 1-59		
Calculating the Equivalent Load .....	B 1-66		
• Rated Load of an LM Guide in Each Direction ..	B 1-66		
Calculating the Static Safety Factor .....	B 1-68		
Calculating the Average Load .....	B 1-69		
• Example of Calculating the Average Load (1)			
- with Horizontal Mount and Acceleration/Deceleration Considered - ..	B 1-71		
• Example of Calculating the Average Load (2)			
- When the Rails are Movable .....	B 1-72		
Calculating the Nominal Life .....	B 1-73		
• Calculating the Nominal Life .....	B 1-73		
• Calculating the Modified Nominal Life .....	B 1-74		
• Nominal Life Equation for the Oil-Free LM Guide ..	B 1-74		
• Example of Calculating the Nominal Life (1)			
- with Horizontal Mount and High-speed Acceleration ..	B 1-77		
• Example of Calculating the Nominal Life (2)			
- with Vertical Mount .....	B 1-82		
Predicting the Rigidity .....	B 1-85		
• Selecting a Radial Clearance (Preload) ...	B 1-85		
• Service Life with a Preload Considered ...	B 1-86		
• Rigidity .....	B 1-86		
Determining the Accuracy .....	B 1-87		
• Accuracy Standards .....	B 1-87		
• Guidelines for Accuracy Grades by Machine Type ..	B 1-88		
<b>Mounting Procedure and Maintenance</b> ..	B 1-89		
Mounting the LM Guide .....	B 1-89		
• Marking on the Master LM Guide and Combined Use ..	B 1-89		
• Mounting Procedure .....	B 1-91		
<b>Options</b> .....	B 1-103		
Seal and Metal scraper .....	B 1-104		
Laminated Contact Scraper LaCS .....	B 1-106		
Side Scraper .....	B 1-108		
Protector .....	B 1-109		
Light-Resistance Contact Seal LiCS .....	B 1-110		
High Chemical Resistance Fluorine Seal FS ..	B 1-111		
Dedicated bellows .....	B 1-112		
Dedicated LM Cover .....	B 1-112		
Dedicated Cap for LM Rail Mounting Holes ..	B 1-113		
Plate Cover SV Steel Tape SP .....	B 1-115		
QZ Lubricator .....	B 1-118		
Lubrication Adapter .....	B 1-121		
Removing/mounting Jig .....	B 1-122		
End Piece EP .....	B 1-123		
<b>Model No.</b> .....	B 1-124		
• Model Number Coding .....	B 1-124		
• Notes on Ordering .....	B 1-128		
<b>Precautions on Use</b> .....	B 1-130		
Precautions on Using the LM Guide .....	B 1-130		
Precautions on Handling the LM Guide for Special Environment ..	B 1-132		
• LM Guide for Medium-to-Low Vacuum .....	B 1-132		
• Oil-Free LM Guide .....	B 1-132		
Precautions on Using Options for the LM Guide ..	B 1-133		
• QZ Lubricator for the LM Guide .....	B 1-133		
• Laminated Contact Scraper LaCS, Side Scraper for LM Guides ..	B 1-133		
• Light Contact Seal LiCS for LM Guides .....	B 1-134		
• High Chemical Resistance Fluorine Seal FS for the LM Guide ..	B 1-134		
• Cap GC .....	B 1-134		



## **A** Product Descriptions (Separate)

Classification Table of the LM Guides ... **A1-8**

**Point of Selection** ..... **A1-10**

Flowchart for Selecting an LM Guide .... **A1-10**

Setting Conditions ..... **A1-12**

- Conditions of the LM Guide ..... **A1-12**

Selecting a Type..... **A1-28**

- Types of LM Guides ..... **A1-28**

Calculating the Applied Load..... **A1-40**

- Calculating an Applied Load ..... **A1-40**

Calculating the Equivalent Load..... **A1-58**

- Rated Load of an LM Guide in Each Direction .. **A1-58**

Calculating the Static Safety Factor ..... **A1-62**

Calculating the Average Load..... **A1-63**

Calculating the Nominal Life..... **A1-65**

- Calculating the Nominal Life ..... **A1-65**

- Calculating the Modified Nominal Life ..... **A1-66**

Predicting the Rigidity..... **A1-69**

- Selecting a Radial Clearance (Preload)..... **A1-69**

- Service Life with a Preload Considered ... **A1-70**

- Rigidity ..... **A1-70**

- Radial Clearance Standard for Each Model .. **A1-71**

Determining the Accuracy..... **A1-74**

- Accuracy Standards ..... **A1-74**

- Guidelines for Accuracy Grades by Machine Type .. **A1-75**

- Accuracy Standard for Each Model..... **A1-76**

**Features and Dimensions of Each Model** .. **A1-87**

Structure and Features of the Caged Ball LM Guide .. **A1-88**

- Advantages of the Ball Cage Technology .. **A1-89**

**Caged Ball LM Guide Global Standard Size Model SHS** ... **A1-92**

- Structure and Features ..... **A1-93**

- Types and Features ..... **A1-94**

**Dimensional Drawing, Dimensional Table**

Models SHS-C, SHS-CM, SHS-LC and SHS-LCM .. **A1-96**

Models SHS-V, SHS-VM, SHS-LV and SHS-LVM .. **A1-98**

Models SHS-R, SHS-RM, SHS-LR and SHS-LRM .. **A1-100**

- Standard Length and Maximum Length of the LM Rail .. **A1-102**

- Tapped-hole LM Rail Type of Model SHS .. **A1-103**

**Caged Ball LM Guide Radial Type Model SSR** ... **A1-104**

- Structure and Features ..... **A1-105**

- Types and Features ..... **A1-106**

**Dimensional Drawing, Dimensional Table**

Models SSR-XW and SSR-XWM ..... **A1-108**

Models SSR-XV and SSR-XVM ..... **A1-110**

Model SSR-XTB ..... **A1-112**

Model SSR-XSB ..... **A1-114**

- Standard Length and Maximum Length of the LM Rail .. **A1-116**

- Tapped-hole LM Rail Type of Model SSR .. **A1-117**

**Caged Ball LM Guide Ultra-heavy Load Type for Machine Tools Model SVR/SVS** ... **A1-118**

- Structure and Features ..... **A1-119**

- Types and Features ..... **A1-121**

**Dimensional Drawing, Dimensional Table**

Models SVR-R and SVR-LR..... **A1-124**

Models SVS-R and SVS-LR..... **A1-126**

Models SVR-C and SVR-LC..... **A1-128**

Models SVS-C and SVS-LC..... **A1-130**

Models SVR-RH, SVR-LRH, SVS-RH and SVS-LRH ... **A1-132**

Models SVR-CH, SVR-LCH, SVS-CH and SVS-LCH ... **A1-134**

- Standard Length and Maximum Length of the LM Rail .. **A1-136**

**Caged Ball LM Guide Wide Rail Model SHW** ... **A1-138**

- Structure and Features ..... **A1-139**

- Types and Features ..... **A1-140**

**Dimensional Drawing, Dimensional Table**

Model SHW-CA ..... **A1-142**

Models SHW-CR and SHW-HR ..... **A1-144**

- Standard Length and Maximum Length of the LM Rail .. **A1-146**

- Greasing Hole ..... **A1-147**

**Caged Ball LM Guide Miniature Type Model SRS**... **A1-148**

- Structure and Features ..... **A1-149**

- Types and Features ..... **A1-150**

- Flatness of the LM Rail and the LM Block Mounting Surface .. **A1-153**

**Dimensional Drawing, Dimensional Table**

Models SRS-S, SRS-M and SRS-N ..... **A1-154**

Models SRS-WS, SRS-WM and SRS-WN... **A1-158**

- Standard Length and Maximum Length of the LM Rail .. **A1-162**

**Caged Ball LM Guide Cross LM Guide Model SCR** .. **A1-164**

- Structure and Features ..... **A1-165**

- Types and Features ..... **A1-166**

**Dimensional Drawing, Dimensional Table**

Model SCR ..... **A1-168**

- Standard Length and Maximum Length of the LM Rail .. **A1-170**

- Tapped-hole LM Rail Type of Model SCR.. **A1-171**

**Caged Ball LM Guide Finite stroke Model EPF** ... **A1-172**

- Structure and Features ..... **A1-173**

- Types and Features ..... [A1-174](#)
- Accuracy of the Mounting Surface ..... [A1-175](#)

### Dimensional Drawing, Dimensional Table

- Model EPF ..... [A1-176](#)
- Standard Length of the LM Rail ..... [A1-178](#)

### LM Guide Global Standard Size Model HSR ... [A1-180](#)

- Structure and Features ..... [A1-181](#)
- Types ..... [A1-182](#)

### Dimensional Drawing, Dimensional Table

Models HSR-C, HSR-CM, HSR-LC, HSR-LCM, HSR-XC and HSR-XLC .. [A1-186](#)

Model HSR-RM ..... [A1-188](#)

Models HSR-R, HSR-RM, HSR-LR, HSR-LRM, HSR-XR and HSR-XLR .. [A1-190](#)

Models HSR-A and HSR-AM, Models HSR-LA and HSR-LAM .. [A1-192](#)

Models HSR-B, HSR-BM, HSR-LB and HSR-LBM .. [A1-194](#)

Models HSR-YR, HSR-YRM and HSR-XYR .. [A1-196](#)

Models HSR-CA, HSR-CAM, HSR-HA, HSR-HAM, HSR-XCA and HSR-XHA.. [A1-198](#)

Models HSR-CB, HSR-CBM, HSR-HB, HSR-HBM, HSR-XCB and HSR-XHB.. [A1-200](#)

Models HSR-HA, HSR-HB and HSR-HR .. [A1-202](#)

- Standard Length and Maximum Length of the LM Rail .. [A1-204](#)
- Tapped-hole LM Rail Type of Model HSR .. [A1-205](#)
- Prevention of LM block from falling off of LM rail ... [A1-206](#)
- Greasing Hole ..... [A1-206](#)

### LM Guide Radial Type Model SR ..... [A1-210](#)

- Structure and Features ..... [A1-211](#)
- Types and Features ..... [A1-212](#)
- Characteristics of Model SR ..... [A1-214](#)

### Dimensional Drawing, Dimensional Table

Models SR-W, SR-WM, SR-V and SR-VM .. [A1-216](#)

Models SR-TB, SR-TBM, SR-SB and SR-SBM .. [A1-218](#)

- Standard Length and Maximum Length of the LM Rail .. [A1-220](#)
- Tapped-hole LM Rail Type of Model SR... [A1-221](#)

### LM Guide Ultra-heavy Load Type for Machine Tools Model NR/NRS-X .. [A1-222](#)

- Structure and Features ..... [A1-223](#)
- Types and Features ..... [A1-224](#)

### Dimensional Drawing, Dimensional Table

Models NR-RX, NR-LRX, NR-R and NR-LR .. [A1-228](#)

Models NRS-RX, NRS-LRX, NRS-R and NRS-LR.. [A1-230](#)

Models NR-CX and NR-LCX ..... [A1-232](#)

Models NRS-CX and NRS-LCX ..... [A1-234](#)

Models NR-A, NR-LA, NRS-A and NRS-LA .. [A1-236](#)

Models NR-B, NR-LB, NRS-B and NRS-LB .. [A1-238](#)

- Standard Length and Maximum Length of the LM Rail .. [A1-240](#)

### LM Guide Wide Rail Model HRW ..... [A1-242](#)

- Structure and Features ..... [A1-243](#)
- Types and Features ..... [A1-244](#)

### Dimensional Drawing, Dimensional Table

Models HRW-CA and HRW-CAM..... [A1-246](#)

Models HRW-CR, HRW-CRM and HRW-LRM .. [A1-248](#)

- Standard Length and Maximum Length of the LM Rail .. [A1-250](#)
- Prevention of LM block from falling off of LM rail ... [A1-250](#)

### LM Guide Miniature Type Model RSX .. [A1-252](#)

- Structure and Features ..... [A1-253](#)
- Types and Features ..... [A1-254](#)
- Flatness of the LM Rail and the LM Block Mounting Surface.. [A1-255](#)

### Dimensional Drawing, Dimensional Table

Model RSX-M ..... [A1-256](#)

Model RSX-WM..... [A1-258](#)

- Standard Length and Maximum Length of the LM Rail .. [A1-260](#)

### LM Guide Miniature Types Model RSR .. [A1-262](#)

- Structure and Features ..... [A1-263](#)
- Types and Features ..... [A1-264](#)
- Accuracy of the Mounting Surface ..... [A1-266](#)

### Dimensional Drawing, Dimensional Table

Models RSR-M, RSR-N, RSR-WM, RSR-WN and RSR-WVM .. [A1-268](#)

- Standard Length and Maximum Length of the LM Rail .. [A1-270](#)
- Prevention of LM block from falling off of LM rail ... [A1-270](#)

### LM Guide Separate Type (4-way Equal Load) Model HR ..... [A1-272](#)

- Structure and Features ..... [A1-273](#)
- Types and Features ..... [A1-274](#)
- Example of Clearance Adjustment..... [A1-275](#)
- Comparison of Model Numbers with Cross-roller Guides .. [A1-276](#)

### Dimensional Drawing, Dimensional Table

Models HR, HR-T, HR-M and HR-TM.... [A1-278](#)

- Standard Length and Maximum Length of the LM Rail .. [A1-282](#)
- Accessories ..... [A1-283](#)
- Greasing Hole ..... [A1-284](#)

### LM Guide Separate Type (Radial) Model GSR ... [A1-286](#)

- Structure and Features ..... [A1-287](#)
- Types and Features ..... [A1-288](#)
- Example of Clearance Adjustment..... [A1-289](#)

### Dimensional Drawing, Dimensional Table

Models GSR-T and GSR-V ..... [A1-290](#)

- Standard Length and Maximum Length of the LM Rail .. [A1-292](#)
- Tapped-hole LM Rail Type of Model GSR .. [A1-292](#)

#### **LM Guide Separate Type (Radial) Model GSR-R .. [A1-294](#)**

- Structure and Features .. [A1-295](#)
- Types and Features .. [A1-296](#)

#### **Dimensional Drawing, Dimensional Table**

- Model GSR-R .. [A1-298](#)**
- Standard Length of the LM Rail..... [A1-300](#)
  - Rack and Pinion .. [A1-301](#)
  - Rack and Pinion Dimensional Drawing..... [A1-304](#)

#### **LM Guide Cross LM Guide Model CSR .. [A1-306](#)**

- Structure and Features .. [A1-307](#)
- Types and Features .. [A1-308](#)

#### **Dimensional Drawing, Dimensional Table**

- Model CSR .. [A1-310](#)**
- Standard Length and Maximum Length of the LM Rail .. [A1-312](#)
  - Tapped-hole LM Rail Type of Model CSR .. [A1-313](#)

#### **LM Guide Miniature Cross Guide Model MX .. [A1-314](#)**

- Structure and Features .. [A1-315](#)
- Types and Features .. [A1-315](#)

#### **Dimensional Drawing, Dimensional Table**

- Model MX .. [A1-316](#)**
- Standard Length and Maximum Length of the LM Rail .. [A1-318](#)

#### **LM Guide Structural Member Rail Model JR .. [A1-320](#)**

- Structure and Features .. [A1-321](#)
- Second Moment of Inertia of the LM Rail .. [A1-321](#)
- Types and Features .. [A1-322](#)

#### **Dimensional Drawing, Dimensional Table**

- Models JR-A, JR-B and JR-R .. [A1-324](#)**
- Standard Length and Maximum Length of the LM Rail .. [A1-326](#)
  - Model JB frame for LM rail clamps..... [A1-327](#)
  - Model JT steel plate for LM rail clamps... [A1-327](#)

#### **LM Guide R Guide Model HCR .. [A1-328](#)**

- Structure and Features .. [A1-329](#)
- Types and Features .. [A1-330](#)

#### **Dimensional Drawing, Dimensional Table**

- R Guide Model HCR..... [A1-332](#)**

#### **LM Guide Straight-Curved Guide Model HMG... [A1-334](#)**

- Structure and Features .. [A1-335](#)
- Types and Features .. [A1-337](#)
- Examples of Table Mechanisms .. [A1-338](#)

#### **Dimensional Drawing, Dimensional Table**

- Model HMG .. [A1-340](#)**
- Jointed LM rail..... [A1-342](#)

#### **LM Guide Self-aligning Type Model NSR-TBC ... [A1-344](#)**

- Structure and Features .. [A1-345](#)
- Types and Features .. [A1-345](#)

#### **Dimensional Drawing, Dimensional Table**

- Model NSR-TBC..... [A1-346](#)**
- Standard Length and Maximum Length of the LM Rail .. [A1-348](#)

#### **LM Guide High Temperature Type Model HSR-M1 ... [A1-350](#)**

- Structure and Features .. [A1-351](#)
- Types and Features .. [A1-353](#)
- Service Life..... [A1-354](#)

#### **Dimensional Drawing, Dimensional Table**

- Models HSR-M1A and HSR-M1LA..... [A1-356](#)**
- Models HSR-M1B and HSR-M1LB..... [A1-358](#)**
- Models HSR-M1R and HSR-M1LR .. [A1-360](#)**
- Model HSR-M1YR .. [A1-362](#)**
- Standard Length and Maximum Length of the LM Rail .. [A1-364](#)

#### **LM Guide High Temperature Type Model SR-M1 ... [A1-366](#)**

- Structure and Features .. [A1-367](#)
- Thermal Characteristics of LM Rail and LM Block Materials .. [A1-367](#)
- Types and Features .. [A1-368](#)
- Service Life..... [A1-369](#)

#### **Dimensional Drawing, Dimensional Table**

- Models SR-M1W and SR-M1V..... [A1-370](#)**
- Models SR-M1TB and SR-M1SB .. [A1-372](#)**
- Standard Length and Maximum Length of the LM Rail .. [A1-374](#)

#### **LM Guide High Temperature Type Model RSR-M1 ... [A1-376](#)**

- Structure and Features .. [A1-377](#)
- Thermal Characteristics of LM Rail and LM Block Materials .. [A1-377](#)
- Types and Features .. [A1-378](#)
- Service Life..... [A1-379](#)

#### **Dimensional Drawing, Dimensional Table**

- Models RSR-M1K, RSR-M1V and RSR-M1N.. [A1-380](#)**
- Models RSR-M1WV and RSR-M1WN... [A1-382](#)**
- Standard Length and Maximum Length of the LM Rail .. [A1-384](#)

- Prevention of LM block from falling off of LM rail ... [A1-384](#)

#### LM Guide High Corrosion Resistance Type Model HSR-M2 ... [A1-386](#)

- Structure and Features ..... [A1-387](#)
- Types and Features ..... [A1-387](#)

#### Dimensional Drawing, Dimensional Table

##### Model HSR-M2A ..... [A1-388](#)

- Standard Length and Maximum Length of the LM Rail .. [A1-390](#)

#### LM Guide Medium-to-low Vacuum Type Model HSR-M1VV ... [A1-392](#)

- Structure and Features ..... [A1-393](#)
- Types and Features ..... [A1-394](#)
- Precautions on Design..... [A1-394](#)

#### Dimensional Drawing, Dimensional Table

##### Model HSR-M1VV ..... [A1-396](#)

- Standard Length and Maximum Length of the LM Rail .. [A1-398](#)

#### LM Guide Oil-Free for Special Environments Model SR-MS ... [A1-400](#)

- Structure and Features ..... [A1-401](#)
- Nominal Life Equation for the Oil-Free LM Guide ... [A1-403](#)
- Types and Features ..... [A1-403](#)

#### Dimensional Drawing, Dimensional Table

##### Models SR-MSV and SR-MSW ..... [A1-404](#)

- Standard Length and Maximum Length of the LM Rail .. [A1-406](#)

#### Structure and Features of the Caged Roller LM Guide ... [A1-408](#)

- Advantages of the Caged Roller Technology ... [A1-409](#)

#### Caged Roller LM Guide Ultra-high Rigidity Type Model SRG ... [A1-412](#)

- Structure and Features ..... [A1-413](#)
- Types and Features ..... [A1-414](#)
- Error Allowance of the Mounting Surface ... [A1-417](#)

#### Dimensional Drawing, Dimensional Table

##### Models SRG-A, SRG-LA, SRG-C and SRG-LC ... [A1-418](#)

##### Models SRG-C, SRG-LC and SRG-SLC ..... [A1-420](#)

##### Model SRG-LC ..... [A1-422](#)

##### Models SRG-V, SRG-LV, SRG-R and SRG-LR ... [A1-424](#)

##### Models SRG-V, SRG-LV, SRG-SLV, SRG-R, SRG-LR and SRG-SLR.. [A1-426](#)

- Standard Length and Maximum Length of the LM Rail .. [A1-428](#)
- Plate Cover ..... [A1-429](#)
- Greasing Hole ..... [A1-430](#)

#### Caged Roller LM Guide Ultra-high Rigidity Type (Low Center of Gravity) Model SRN ... [A1-432](#)

- Structure and Features ..... [A1-433](#)
- Types and Features ..... [A1-434](#)

- Error Allowance of the Mounting Surface .. [A1-436](#)

#### Dimensional Drawing, Dimensional Table

##### Models SRN-C, SRN-LC and SRN-SLC ... [A1-438](#)

##### Models SRN-R, SRN-LR and SRN-SLR .. [A1-440](#)

- Standard Length and Maximum Length of the LM Rail .. [A1-442](#)
- Plate Cover ..... [A1-443](#)
- Greasing Hole ..... [A1-444](#)

#### Caged Roller LM Guide Ultra-high Rigidity Type (Wide) Model SRW ... [A1-446](#)

- Structure and Features ..... [A1-447](#)
- Types and Features ..... [A1-448](#)
- Permissible Error of the Mounting Surface ... [A1-449](#)

#### Dimensional Drawing, Dimensional Table

##### Model SRW-LR ..... [A1-450](#)

- Standard Length and Maximum Length of the LM Rail .. [A1-452](#)
- Greasing Hole ..... [A1-453](#)

#### Point of Design ..... [A1-454](#)

##### Designing the Guide System ..... [A1-454](#)

- Examples of Arrangements of the Guide System .. [A1-455](#)
- Method for Securing an LM Guide to Meet the Conditions .. [A1-459](#)

##### Designing a Mounting Surface ..... [A1-461](#)

- Designing a Mounting Surface ..... [A1-461](#)
- Shoulder Height of the Mounting Base and the Corner Radius .. [A1-463](#)
- Permissible Error of the Mounting Surface ... [A1-470](#)
- Marking on the Master LM Guide and Combined Use .. [A1-475](#)

#### Options ..... [A1-477](#)

##### Table of Supported Options by Models .. [A1-478](#)

##### Seal and Metal scraper..... [A1-482](#)

##### Laminated Contact Scraper LaCS ..... [A1-484](#)

##### Side Scraper..... [A1-486](#)

##### Protector..... [A1-487](#)

##### Light-Resistance Contact Seal LiCS ..... [A1-489](#)

##### High Chemical Resistance Fluorine Seal FS .. [A1-490](#)

##### Dimensions of Each Model with an Option Attached .. [A1-491](#)

- The LM Block Dimension (Dimension L) with LaCS and Seals Attached .. [A1-491](#)
- Incremental Dimension with Grease Nipple (When LaCS is Attached) .. [A1-499](#)
- LM Block Dimension (Dimension L) with LiCS Attached .. [A1-501](#)
- Incremental Dimension with Grease Nipple (When LiCS is Attached) .. [A1-502](#)
- Overall block length with fluorine seals and other accessories attached .. [A1-503](#)
- Maximum Seal Resistance ..... [A1-504](#)
- Maximum resistance for LaCS ..... [A1-507](#)
- Maximum resistance for LiCS ..... [A1-508](#)
- Maximum seal resistance of FS ..... [A1-508](#)
- Maximum resistance for the side scraper .. [A1-508](#)

##### QZ Lubricator..... [A1-509](#)

• LM Block Dimension (Dimension L) with QZ Attached ..	A1-512
List of Parts Symbols .....	A1-516
Dedicated Bellows .....	A1-519
• Bellows .....	A1-520
Dedicated LM Cover .....	A1-532
• LM Cover .....	A1-533
Dedicated Cap for LM Rail Mounting Holes ..	A1-534
Plate Cover SV Steel Tape SP .....	A1-537
Lubrication Adapter .....	A1-540
Removing/mounting Jig .....	A1-541
End Piece EP .....	A1-542

<b>Model No.</b> .....	A1-543
• Model Number Coding .....	A1-543
• Notes on Ordering .....	A1-547

<b>Precautions on Use</b> .....	A1-549
Precautions on Using the LM Guide .....	A1-549
Precautions on Handling the LM Guide for Special Environment ..	A1-551
• LM Guide for Medium-to-Low Vacuum ....	A1-551
• Oil-Free LM Guide .....	A1-551
Precautions on Using Options for the LM Guide ..	A1-552
• QZ Lubricator for the LM Guide .....	A1-552
• Laminated Contact Scraper LaCS, Side Scraper for LM Guides ..	A1-552
• Light Contact Seal LiCS for LM Guides ...	A1-553
• High Chemical Resistance Fluorine Seal FS for the LM Guide ..	A1-553
• Cap GC .....	A1-553

## Features of the LM Guide

### Functions Required for Linear Guide Surface

Large permissible load  
 Highly rigid in all directions  
 High positioning repeatability  
 Running accuracy can be obtained easily  
 High accuracy can be maintained over a long period

Smooth motion with no clearance  
 Superbly high speed  
 Easy maintenance  
 Can be used in various environments

### Features of the LM Guide

#### Large permissible load and high rigidity

Accuracy averaging effect by absorbing mounting surface error

Ideal four raceway, circular-arc groove, two point contact structure

Superb error-absorbing capability with the DF design

#### Low friction coefficient

Wide array of options (QZ lubricator, Laminated contact scraper LaCS, etc.)

As a result, the following features are achieved.

#### Easy maintenance

Improved productivity of the machine

Substantial energy savings

Low total cost

Higher accuracy of the machine

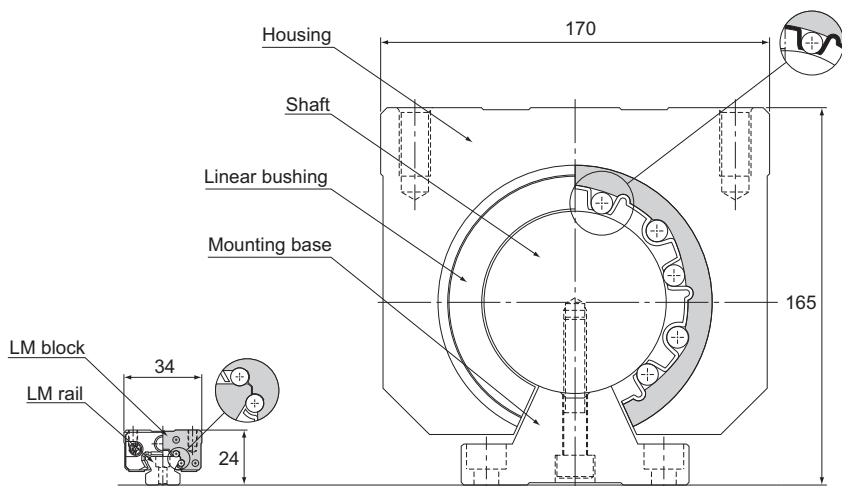
Higher efficiency in machine design

## Large Permissible Load and High Rigidity

### [Large Permissible Load]

The LM Guide has raceway grooves with a radius almost equal to the ball radius, which is significantly different from the linear bushing. As shown in Fig.1, which compares size between the LM Guide and the linear bushing with similar basic dynamic load ratings, the LM Guide is much smaller than the linear bushing, indicating that the LM Guide allows a significantly compact design.

The reason for this space saving is the greater difference in permissible load between the R-groove contact structure and the surface contact structure. The R-groove contact structure (radius: 52% of the ball radius) can bear a load per ball 13 times greater than the surface contact structure. Since service life is proportional to the cube of the permissible load, this increased ball-bearing load translates into a service life that is approximately 2,200 longer than the linear bushing.



**LM Guide model SSR15XW**  
Basic dynamic load rating: 14.7 kN

**Linear Bushing model LM80 OP**  
Basic dynamic load rating: 7.35 kN

Fig.1 Comparison between the LM Guide and the Linear Bushing

Table1 Load Capacity per Ball (P and P<sub>1</sub>)  
Permissible contact surface pressure: 4,200 MPa

	R-groove (P)	Flat surface (P <sub>1</sub> )	P/P <sub>1</sub>
φ 3.175 (1/8'')	0.90 kN	0.07 kN	13
φ 4.763 (3/16'')	2.03 kN	0.16 kN	13
φ 6.350 (1/4'')	3.61 kN	0.28 kN	13
φ 7.938 (5/16'')	5.64 kN	0.44 kN	13
φ 11.906 (15/32'')	12.68 kN	0.98 kN	13

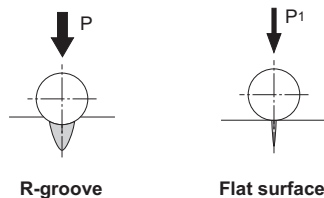


Fig.2 Load Capacity per Ball

### [High Rigidity]

The LM Guide is capable of bearing vertical and horizontal loads. Additionally, due to the circular-arc groove design, it is capable of carrying a preload as necessary to increase its rigidity.

When compared with a feed screw shaft system and a spindle in rigidity, the guide surface using an LM Guide has higher rigidity.

### ● Example of comparing static rigidity between the LM Guide, a feed screw shaft system and a spindle

(vertical machining center with the main shaft motor of 7.5 kW)

Table2 Comparison of Static Rigidity

Unit: N/ $\mu$ m

#### [Components]

LM Guide: SVR45LC/C0

(C0 clearance: preload = 11.11kN)

Ball Screw: BNFN4010-5/G0

(G0 clearance: preload = 2.64kN)

Spindle: general-purpose cutting spindle

Components	X-axis direction	Y-axis direction	Z-axis direction
LM Guide	—	2400	9400 (radial) 7400 (reverse radial)
Ball screw	330	—	—
Spindle	250	250	280

Note) The rigidity of the feed screw shaft system includes rigidity of the shaft end support bearing.

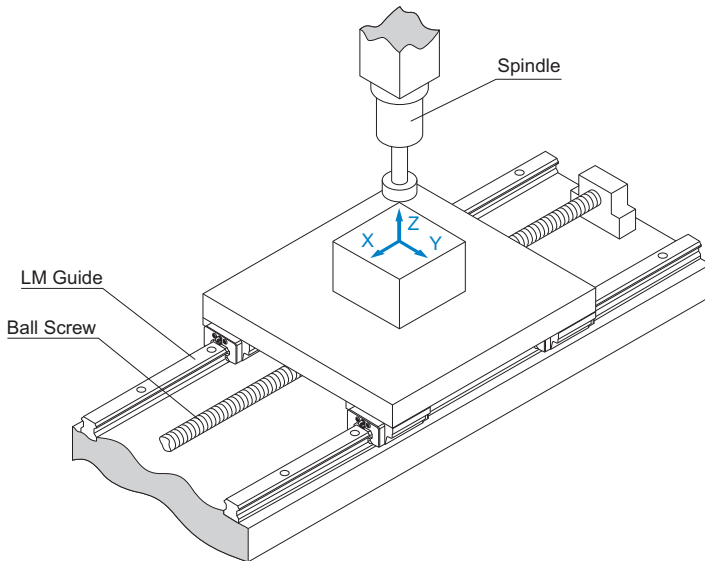


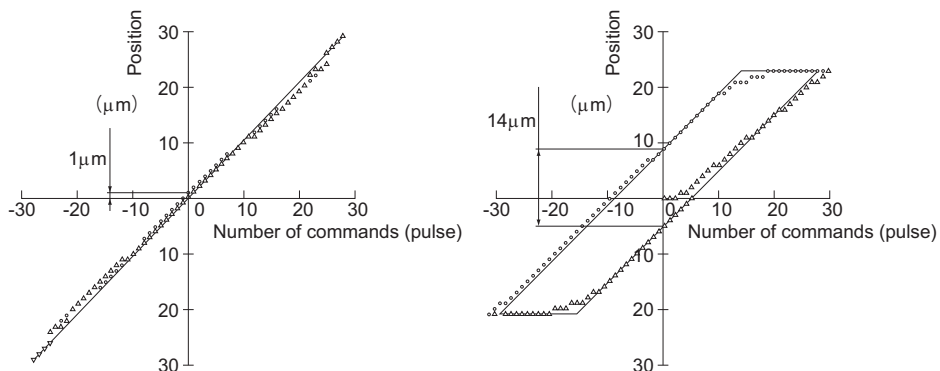
Fig.3



## High Precision of Motion

### [Small lost motion]

The LM Guide is provided with an ideal rolling mechanism. Therefore, the difference between dynamic and static friction is minimal and lost motion hardly occurs.



LM Guide model HSR45

Square slide + Turcite

(Measurements are taken with the single-axis table loaded with a 500-kg weight)

Fig.4 Comparison of Lost Motion between the LM Guide and a Slide Guide

Table3 Lost Motion Comparison

Unit:  $\mu\text{m}$

Type	Clearance	Test method			
		As per JIS B 6330			Based on minimum unit feeding
		10mm/min	500mm/min	4000mm/min	
LM Guide (HSR45)	C1 clearance (see table below)	2.3	5.3	3.9	0
	C0 clearance (see table below)	3.6	4.4	3.1	1
Square slide + turcite	0.02mm	10.7	15	14.1	14
	0.005mm	8.7	13.1	12.1	13

Radial clearance of the LM Guide

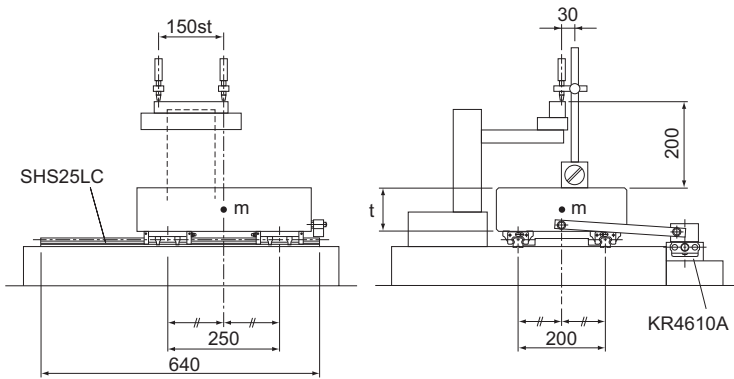
Unit:  $\mu\text{m}$

Symbol	C1	C0
Radial clearance	-25 to -10	-40 to -25

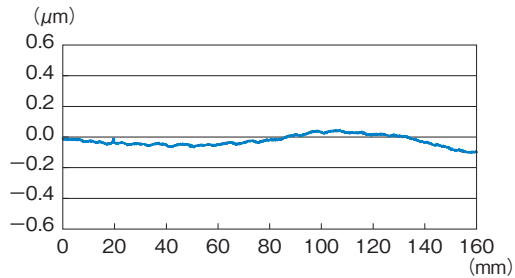
### [High running accuracy]

Use of the LM Guide allows you to achieve high running accuracy.

#### [Measurement method]



#### Pitching accuracy



#### Yawing accuracy

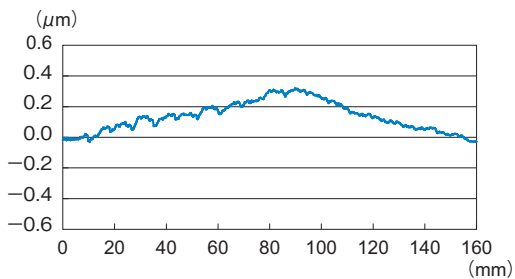


Fig.5 Dynamic Accuracy of a Single-axis Table

**[High accuracy maintained over a long period]**

As the LM Guide employs an ideal rolling mechanism, wear is negligible and high precision is maintained for long periods of time. As shown in Fig.6, when the LM Guide operates under both a preload and a normal load, more than 90% of the preload remains even after running 2,000 km.

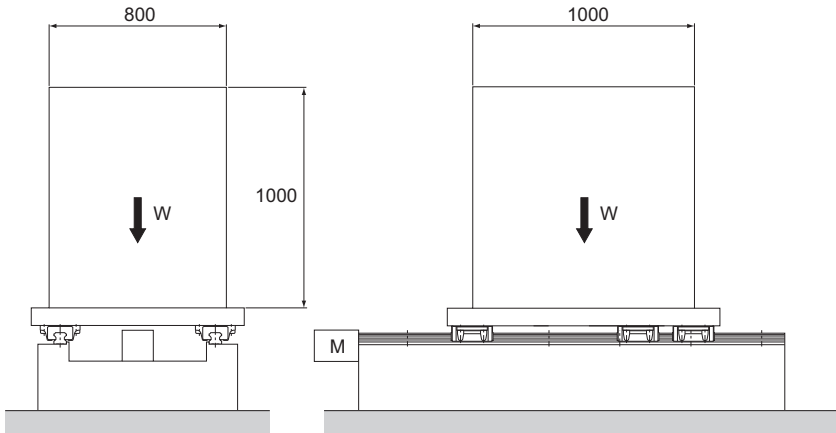


Fig.6 Condition

**[Conditions]**

Model No. : HSR65LA3SSC0 + 2565LP- II

Radial clearance

: C0 (preload: 15.7 kN)

Stroke : 1,050mm

Speed : 15 m/min (stops 5 sec at both ends)

Acceleration/deceleration time in rapid motion

: 300 ms (acceleration:  $\alpha = 0.833 \text{ m/s}^2$ )

Mass : 6000kg

Drive : Ball Screws

Lubrication : Lithium soap-based grease No. 2  
(greased every 100 km)

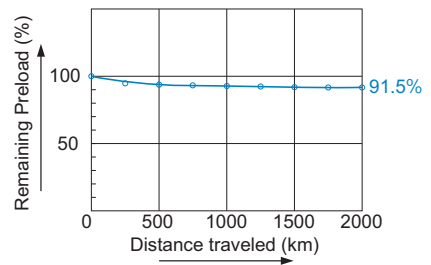


Fig.7 Distance Traveled and Remaining Preload

## Accuracy Averaging Effect by Absorbing Mounting Surface Error

The LM Guide contains highly spherical balls and has a constrained structure with no clearance. In addition, it uses LM rails in parallel on multiple axes to form a guide system with multiple-axis configuration. Thus, the LM Guide is capable of absorbing misalignment in straightness, flatness or parallelism that would occur in the machining of the base to which the LM Guide is to be mounted or in the installation of the LM Guide by averaging these errors.

The magnitude of the averaging effect varies according to the length or size of the misalignment, the preload applied on the LM Guide and the number of axes in the multiple-axis configuration. When misalignment is given to one of the LM rails of the table as shown in Fig.8, the magnitude of misalignment and the actual dynamic accuracy of the table (straightness in the horizontal direction) are as shown in Fig.9.

By applying such characteristics obtained with the averaging effect, you can easily establish a guide system with high precision of motion.

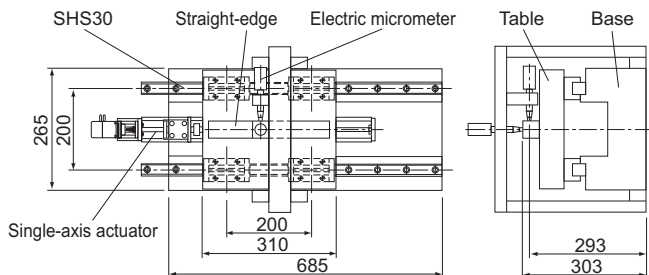


Fig.8

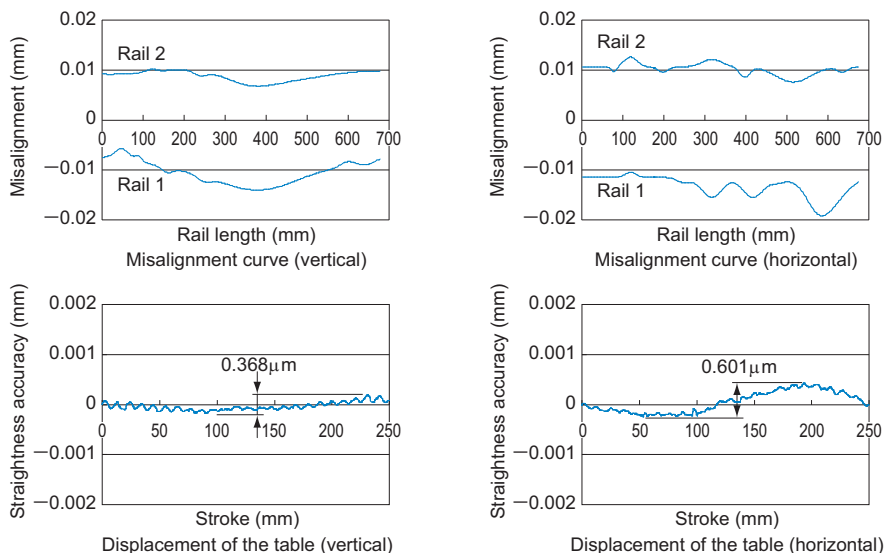


Fig.9

## Features and Types

### Features of the LM Guide

Even on a roughly milled mounting surface, the LM Guide drastically increases running accuracy of the top face of the table.

#### [Example of Installation]

When comparing the mounting surface accuracy (a) and the table running accuracy (b), the results are :

$$\begin{array}{l} \text{Vertical} \quad \boxed{92.5\mu\text{m}} \rightarrow \boxed{15\mu\text{m}} = \boxed{1/6} \\ \text{Horizontal} \quad \boxed{28\mu\text{m}} \rightarrow \boxed{4\mu\text{m}} = \boxed{1/7} \end{array}$$

Table4 Actual Measurement of Mounting-Surface Accuracy  
Unit:  $\mu\text{m}$

Direction	Mounting surface	Straightness	Average (a)
Vertical	Horizontal	A	80
		B	105
Bottom surface	Side surface	C	40
		D	16
			28

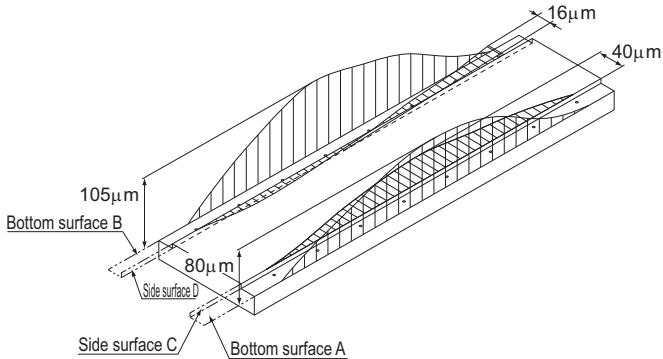


Fig.10 Surface Accuracy of the LM Guide Mounting Base (Milled Surface Only)

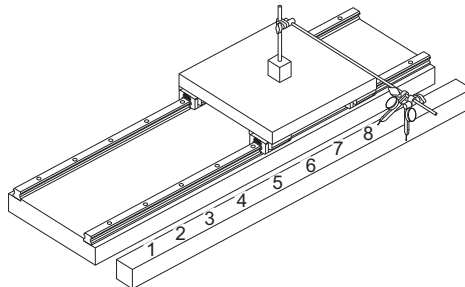


Fig.11 Running Accuracy After the LM Guide Is Mounted

Table5 Actual Measurement of Running Accuracy on the Table (Based on Measurement in Fig.10 and Fig.11)

Unit:  $\mu\text{m}$

Direction	Measurement point								Straightness (b)
	1	2	3	4	5	6	7	8	
Vertical	0	+2	+8	+13	+15	+9	+5	0	15
Horizontal	0	+1	+2	+3	+2	+2	-1	0	4

---

## Easy Maintenance

---

Unlike with sliding guides, the LM Guide does not incur abnormal wear. As a result, sliding surfaces do not need to be reconditioned, and precision needs not be altered. Regarding lubrication, sliding guides require forced circulation of a large amount of lubricant so as to maintain an oil film on the sliding surfaces, whereas the LM Guide only needs periodical replenishing of a small amount of grease or lubricant. Maintenance is that simple. This also helps keep the work environment clean.

## Substantial Energy Savings

As shown in Table6, the LM Guide has a substantial energy saving effect.

Table6 Comparative Data on Sliding and Rolling Characteristics

Machine Specifications		
Type of machine	Single-axis surface grinding machine (sliding guide)	Three-axis surface grinding machine (rolling guide)
Overall length × overall width	13m×3.2m	12.6m×2.6m
Total mass	17000kg	16000kg
Table mass	5000kg	5000kg
Grinding area	0.7m×5m	0.7m×5m
Table guide	Rolling through V-V guide	Rolling through LM Guide installation
No. of grinding stone axes	Single axis (5.5 kW)	Three axes (5.5 kW + 3.7 kW x 2) Grinding capacity: 3 times greater

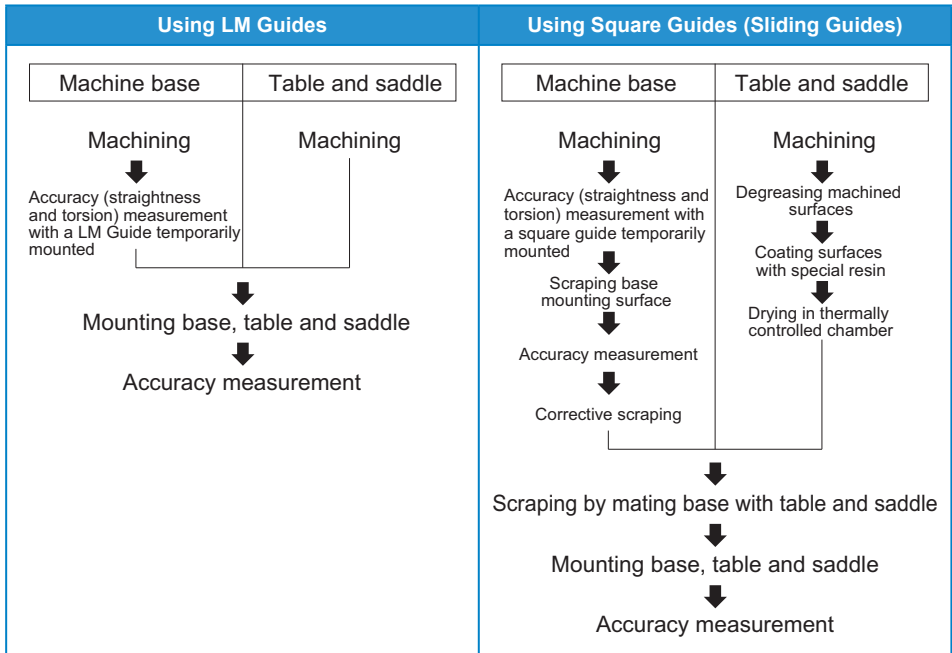
Table Drive Specifications			Ratio
Motor used	38.05kW	3.7kW	10.3
Drive hydraulic pressure	Bore diameter $\phi$ 160×1.2MPa	Bore diameter $\phi$ 65×0.7MPa	—
Thrust	23600N	2270N	10.4
Electric Power consumption	38kWH	3.7kWH	10.3
Drive hydraulic pressure oil consumption	400ℓ/year	250ℓ/year	1.6
Lubricant consumption	60 ℓ/year (oil)	3.6 ℓ/year (grease)	16.7

## Low Total Cost

Compared with a sliding guide, the LM Guide is easier to assemble and does not require highly skilled technicians to perform the adjustment work. Thus, the assembly man-hours for the LM Guide are reduced, and machines and systems incorporating the LM Guide can be produced at lower cost. The figure below shows an example of difference in the procedure of assembling a machining center between using sliding guides and using LM Guides.

Normally, with a sliding guide, the surface on which the guide is installed must be given a very smooth finish by grinding. However, the LM Guide can offer high precision even if the surface is milled or planed. Using the LM Guide thus cuts down on machining man-hours and lowers machining costs as a whole.

### [Assembly Procedure for a Machining Center]



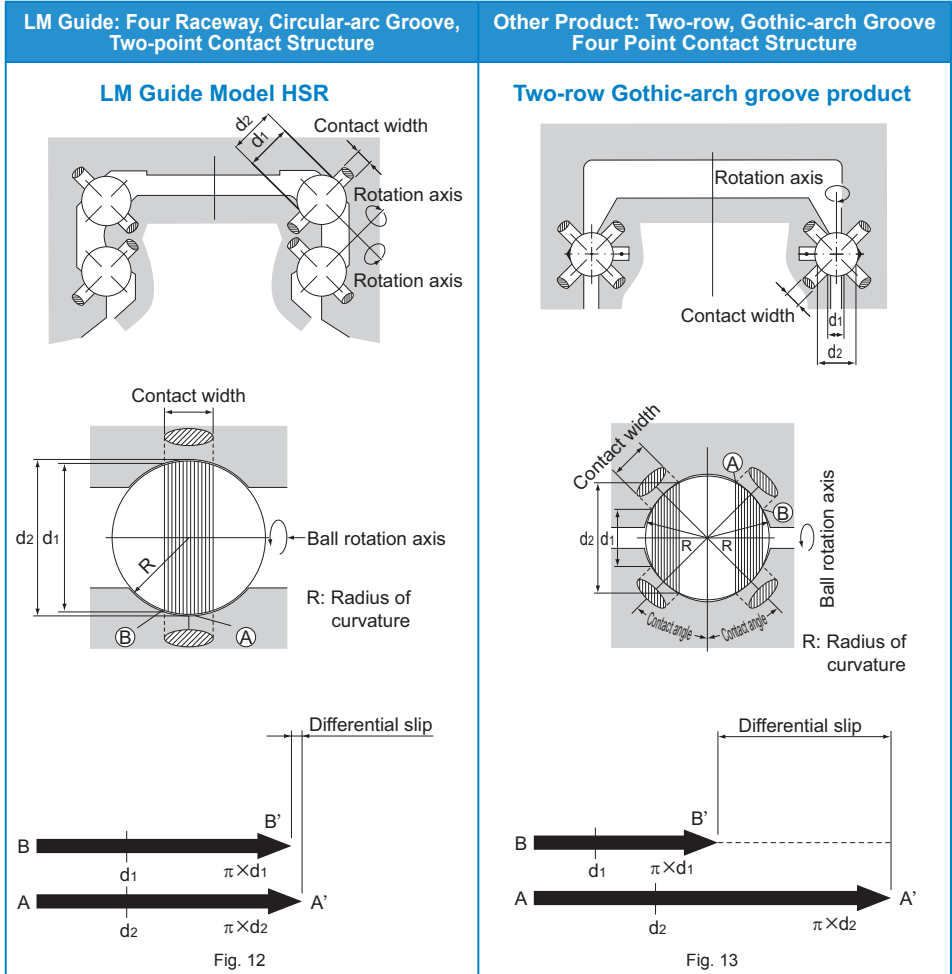
When extremely high precision is not required (e.g., running accuracy), the LM Guide can be attached to the steel plate even if the black scale on it is not removed.



## Ideal Four Raceway, Circular-Arc Groove, Two-Point Contact Structure

The LM Guide has a self-adjusting capability that competitors' products do not have. This feature is achieved with an ideal four raceway, circular-arc groove, two-point contact structure.

### [Comparison of Characteristics between the LM Guide and Similar Products]



As indicated in Fig. 12 and Fig. 13, when the ball rotates one revolution, the ball slips by the difference between the circumference of the diameter of inner surface ( $\pi d_1$ ) and that of the outer contact diameter ( $\pi d_2$ ). (This slip is called differential slip.) If the difference is large, the ball rotates while slipping, the friction coefficient increases more than 10 times and the friction resistance steeply increases.

Four Raceway, Circular-Arc Groove, Two-Point Contact Structure	Two-Row, Gothic-Arch Groove, Four Point Contact Structure
<b>Smooth Motion</b>	
<p>Since the balls contact the raceway at two points in the load direction as shown in Fig. 12 and Fig. 13 on <b>B1-19</b> whether under preload or normal load, the difference between <math>d_1</math> and <math>d_2</math> is small, as is the differential slip, allowing a smooth rolling motion.</p>	<p>The difference between <math>d_1</math> and <math>d_2</math> in the contact area is large as shown in Fig. 12 and Fig. 13 on <b>B1-19</b>. Therefore, if any of the following occurs, the ball will generate differential slip, causing friction almost as large as sliding resistance and shortening the service as a result of abnormal friction.</p> <ol style="list-style-type: none"> <li>(1) A preload is applied</li> <li>(2) A lateral load is applied.</li> <li>(3) If two or more rails are mounted and they are not properly aligned</li> <li>(4) If spinning occurs</li> </ol>
<b>Accuracy of the Mounting Surface</b>	
<p>In the ideal two-point contact structure, four rows of circular arc grooves are given appropriate contact angles. With this structure, a light distortion of the mounting surface would be absorbed within the LM block due to elastic deformation of the balls and moving of the contact points to allow unforced, smooth motion. This eliminates the need for a robust mounting base with high rigidity and accuracy for machinery such as a conveyance system.</p>	<p>With the Gothic-arch groove product, each ball contacts the groove at four points, preventing itself from being elastically deformed and the contact points from moving (i.e., no self-adjusting capability). Therefore, even a slight distortion of the mounting surface or an accuracy error of the rail bed cannot be absorbed and smooth motion cannot be achieved. Accordingly, it is necessary to machine a highly rigid mounting base with high precision and mount a high precision rail.</p>
<b>Rigidity</b>	
<p>With the two-point contact, even if a relatively large preload is applied, the rolling resistance does not abnormally increase and high rigidity is obtained.</p>	<p>Since differential slip occurs due to the four-point contact, a sufficient preload cannot be applied and high rigidity cannot be obtained.</p>
<b>Load Rating</b>	
<p>Since the curvature radius of the ball raceway is 51 to 52% of the ball diameter, a large rated load can be obtained.</p>	<p>Since the curvature radius of the Gothic-arch groove has to be 55 to 60% of the ball diameter, the rated load is reduced to approx. 50% of that of the circular arc groove.</p>
<b>Difference in Rigidity</b>	
<p>As shown in Fig.14, the rigidity widely varies according to the difference in curvature radius or difference in pre-load.</p>	
<p><b>Curvature radius and rigidity</b></p> <div style="display: flex; justify-content: space-around;"> <div data-bbox="193 1123 488 1385"> <p>Comparison of rigidity by curvature (per ball)</p> </div> <div data-bbox="549 1123 916 1377"> <p>Preload and deflection Displacement curve of HSR30</p> </div> </div> <p style="text-align: center;">Fig.14</p>	
<b>Difference in Service Life</b>	
<p>Since the load rating of the gothic arch groove is reduced to approx. 50% of that of the circular arc groove, the service life also decreases to 87.5%.</p>	

## [Accuracy Error of the Mounting Surface and Test Data on Rolling Resistance]

The difference between the contact structures translates into a rolling resistance.

In the gothic arch groove contact structure, each ball contacts at four points and differential slip or spinning occurs if a preload is applied to increase rigidity or an error in the mounting precision is large. This sharply increases the rolling resistance and causes abnormal wear in an early stage.

The following are test data obtained by comparing an LM Guide having the four raceway, circular-arc groove two-point contact structure and a product having the two-row, Gothic-arch, four-point contact structure.

### [Sample]

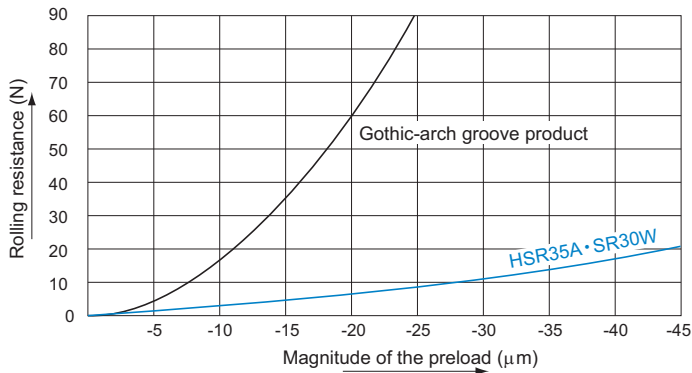
- |  |        |
|--|--------|
| (1) LM Guide                           |        |
| SR30W (radial type)                    | 2 sets |
| HSR35A (4-way equal-load type)         | 2 sets |
| (2) Two-row Gothic-arch groove product |        |
| Type with dimensions similar to HSR30  | 2 sets |

### [Conditions]

Radial clearance:  $\pm 0\mu\text{m}$   
 Without seal  
 Without lubrication  
 Load: table mass of 30 kg

### Data 1: Preload and rolling resistance

When a preload is applied, the rolling resistance of the Gothic-arch groove product steeply increases and differential slip occurs. Even under a preload, the rolling resistance of the LM Guide does not increase.



### Data 2: Error in parallelism between two axes and rolling resistance

As shown in the Fig.15, part of the rails mounted in parallel is parallelly displaced and the rolling resistance at that point is measured.

With the Gothic-arch groove product, the rolling resistance is 34 N when the parallelistic error is 0.03 mm and 62 N when the error is 0.04 mm. These resistances are equivalent to the slip friction coefficients, indicating that the balls are in sliding contact with the groove.

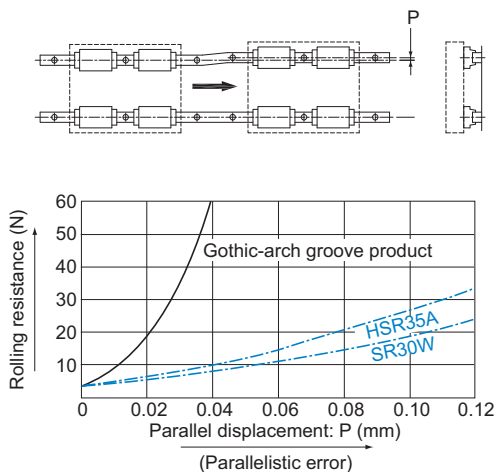
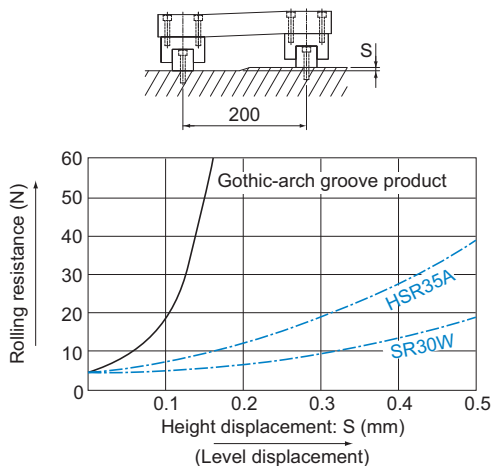


Fig.15

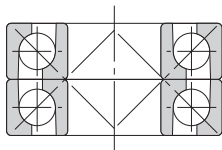
### Data 3: Difference between the levels of the top and bottom rails and rolling resistance

Displace the bottom of either rail vertically by  $S$  and create the height difference between the two axes. Then, measure the rolling resistance. If there is a height difference between the rails, moment will act on the LM block. If the LM Guide's groove is the Gothic-arc groove, this will cause spinning. The LM Guide with the circular-arc groove is capable of absorbing the error caused by the height difference between rails as great as 0.3/200 mm, where its rolling resistance will not increase significantly.

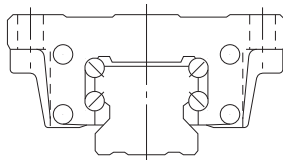


## Superb Error-Absorbing Capability with the DF Design

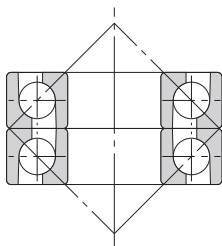
Since the LM Guide has a contact structure similar to the front-to-front mount of angular ball bearings, it has superb self-adjusting capability.



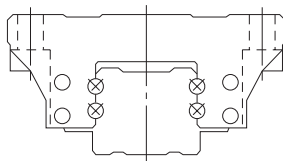
Angular Ball Bearings Mounted Front-to-Front (DF Type)  
As the distance  $l$  between the application points is small, the allowable tilt angle is large. (Highly self-adjustable)



DF Type Four-Row Angular Contact (LM Guide)  
An internal structure that will not be easily affected by inconsistencies on the mounting surface.



Angular Ball Bearings Mounted Back-to-Back (DB Type)  
As the distance between the application points is large, the allowable tilt angle is small.

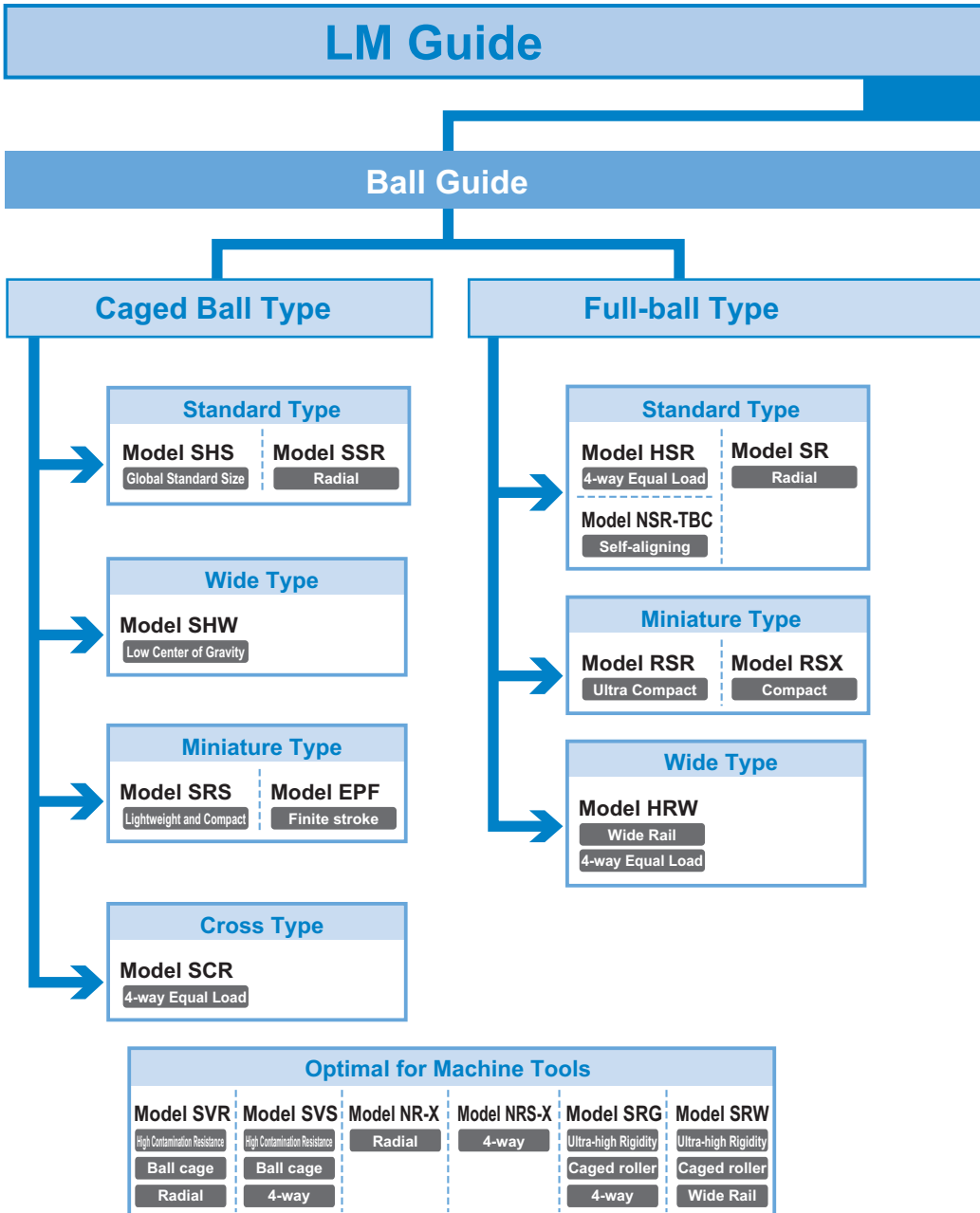


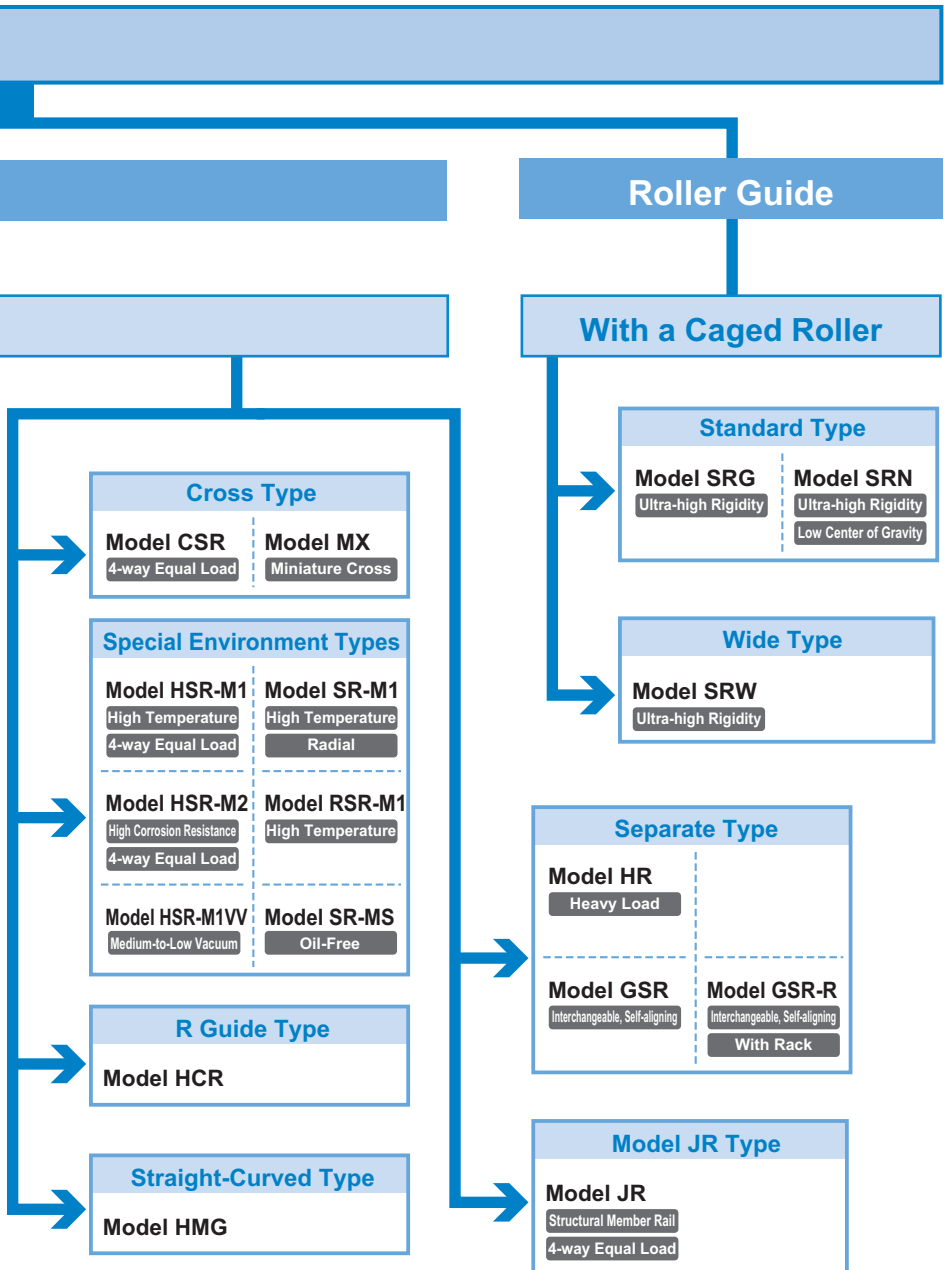
Four-Row Gothic-Arch Contact  
Requires a high mounting precision.

An LM ball guide mounted on a plane receives a moment ( $M$ ) due to an error in flatness or in level or a deflection of the table. Therefore, it is essential for the guide to have self-adjusting capability.

LM Guide Model HSR	Similar Product of a Competitor
<p>Since the distance between the application points of the bearings is small, the internal load generated from inconsistencies in the mounting surface is small, allowing movement to remain smooth.</p>	<p>Since the distance from the application point of the bearing is large, the internal load generated from a mounting error is large and the self-adjusting capability is small. With an LM ball guide having angular ball bearings mounted back-to-back, if there is an error in flatness or a deflection in the table, the internal load applied to the block is approx. 6 times greater than that of the front-to-front mount structure and the service life is much shorter. In addition, the fluctuation in sliding resistance is greater.</p>

# Classification Table of the LM Guides

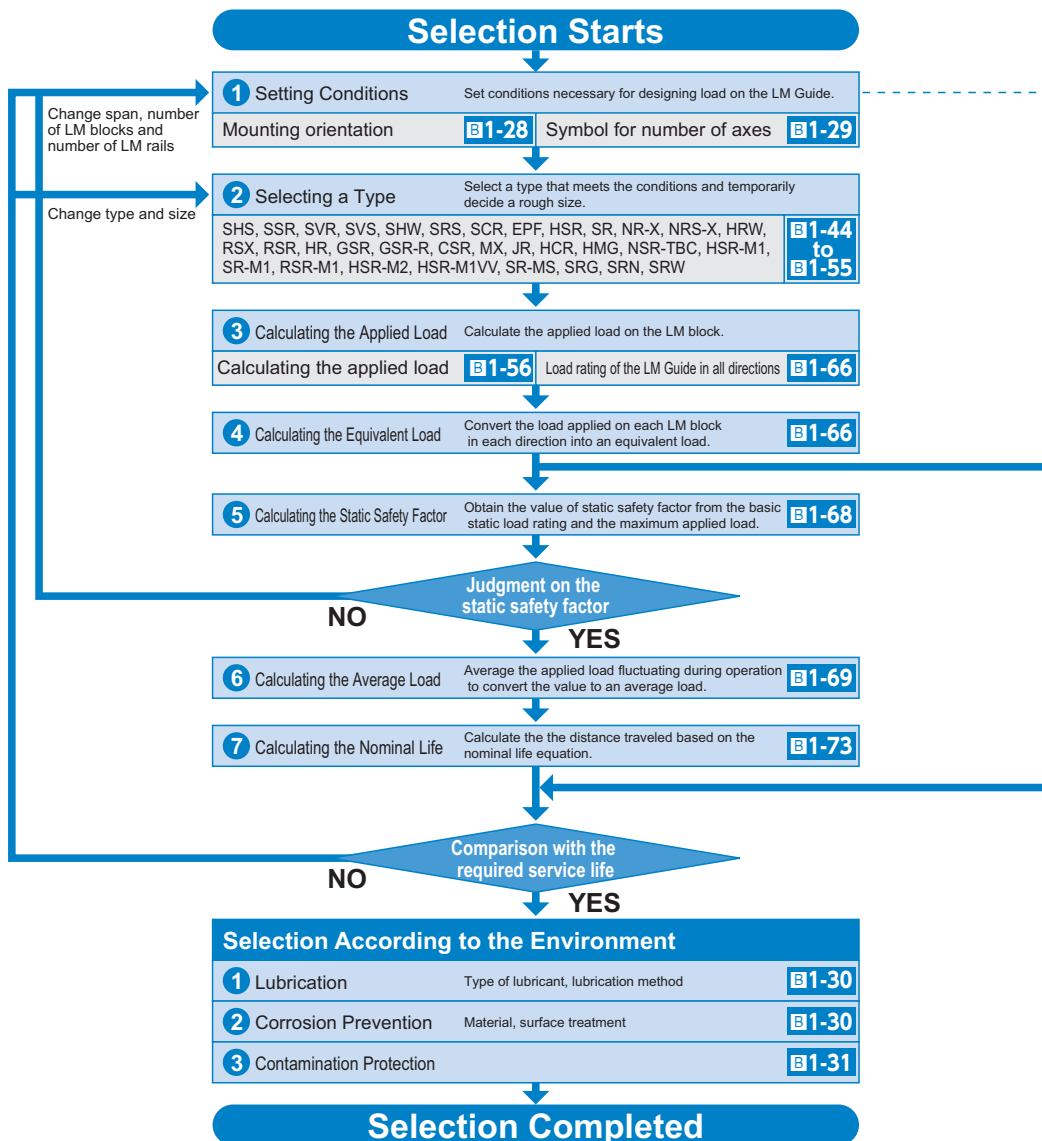




# Flowchart for Selecting an LM Guide

## [Steps for Selecting an LM Guide]

The following flowchart can be used as reference for selecting an LM Guide.





- Space in the guide section
- Dimensions (span, number of LM blocks, number of LM rails, thrust)
- Installation direction (horizontal, vertical, slant mount, wall mount, suspended)
- Magnitude, direction and position of the working load
- Operating frequency (duty cycle)
- Speed (acceleration)
- Stroke length
- Required service life
- Precision of motion
- Environment
- In a special environment (vacuum, clean room, high temperature, environment exposed to contaminated environment, etc.), it is necessary to take into account material, surface treatment, lubrication and contamination protection.

### Prediction the Rigidity

- |   |  |        |
|---|--|--------|
| 1 | Selecting a Radial Clearance (Preload)   | B1-85  |
| 2 | Service Life with a Preload Considered   | B1-86  |
| 3 | Rigidity                                 | B1-86  |
| 4 | Radial Clearance Standard for Each Model | A1-71  |
| 5 | Designing the Guide System               | A1-454 |

### Determining the Accuracy

- |   |  |        |
|---|--|--------|
| 1 | Accuracy Standards                             | B1-87  |
| 2 | Guidelines for Accuracy Grades by Machine Type | B1-88  |
| 3 | Accuracy Standard for Each Model               | A1-76~ |

# Setting Conditions

## Conditions of the LM Guide

### [Mounting Orientation]

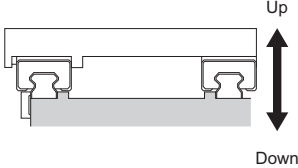
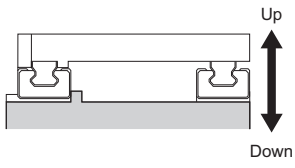
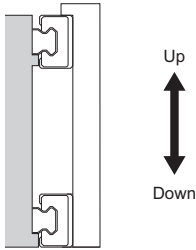
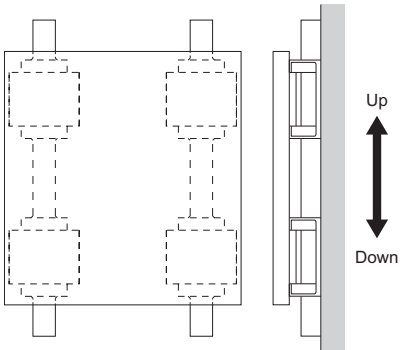
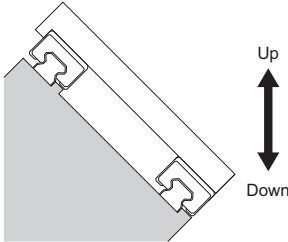
The LM Guide can be mounted in the following five orientations.

If the mounting orientation is other than horizontal use, the lubricant may not reach the raceway completely.

Be sure to let THK know the installation direction and the exact position in each LM block where the grease nipple or the piping joint should be attached.

For the lubrication, see **A24-2**.

### [Mounting Orientation]

Horizontal (symbol: H)	Inverted (symbol: R)	Wall mount (symbol: K)
		
Vertical (symbol: V)		Slant mount (symbol: T)
		

**[Symbol for Number of Axes]**

If two or more units of the LM Guide are parallelly used in combination on the same plane, specify the number of the LM rails (symbol for number of axes) used in combination in advance.

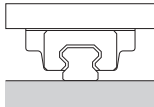
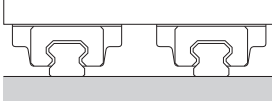
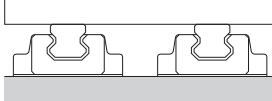
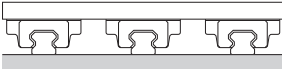
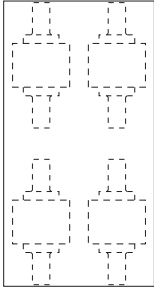
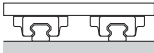
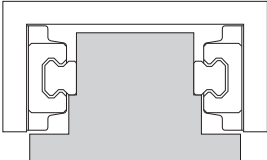
(For accuracy standards and radial clearance standards, see **A1-76** and **A1-71**, respectively.)

**Model number coding****SHS25C2SSCO+1000LP - II**

Model number (details are given on the corresponding page of the model)

Symbol for number of axes  
("II" indicates 2 axes. No symbol for a single axis)

**[Symbol for Number of Axes]**

Symbol for number of axes: none	Symbol for number of axes: II	Symbol for number of axes: II
<b>Required number of axes: 1</b> 	<b>Required number of axes: 2</b>  Note: When placing an order, specify the number in multiple of 2 axes.	<b>Required number of axes: 2</b>  Note: When placing an order, specify the number in multiple of 2 axes.
Symbol for number of axes: III	Symbol for number of axes: IV	Other
<b>Required number of axes: 3</b>  Note: When placing an order, specify the number in multiple of 3 axes.	<b>Required number of axes: 4</b>   Note: When placing an order, specify the number in multiple of 4 axes.	<b>Required number of axes: 2</b>  Using 2 axes opposed to each other

## [Service environment]

### ● Lubrication

When using an LM system, it is necessary to provide effective lubrication. Without lubrication, the rolling elements or the raceway may be worn faster and the service life may be shortened.

A lubricant has effects such as the following.

- (1) Minimizes friction in moving elements to prevent seizure and reduce wear.
- (2) Forms an oil film on the raceway to decrease stress acting on the surface and extend rolling fatigue life.
- (3) Covers the metal surface to prevent rust formation.

To fully bring out the LM Guide's functions, it is necessary to provide lubrication according to the conditions.

If the mounting orientation is other than horizontal use, the lubricant may not reach the raceway completely.

Be sure to let THK know the mounting orientation and the exact position in each LM block where the grease nipple or the piping joint should be attached. For the mounting orientation and the lubrication, see **B1-28** and **B24-2**, respectively.

Even with an LM Guide with seals, the internal lubricant gradually seeps out during operation. Therefore, the system needs to be lubricated at an appropriate interval according to the conditions.

### ● Corrosion Prevention

#### ■Determining a Material

Any LM system requires a material that meets the environments. For use in environments where corrosion resistance is required, some LM system models can use martensite stainless steel.

(Martensite stainless steel can be used for LM Guide models SHS, SSR, SHW, SRS, HSR, SR, HRW, RSX, RSR and HR.)

The HSR series includes HSR-M2, a highly corrosion resistant LM Guide using austenite stainless steel, which has high anti-corrosive effect. For details, see **A1-386**.

#### ■Surface Treatment

The surfaces of the rails and shafts of LM systems can be treated for anti-corrosive or aesthetic purposes.

THK offers THK-AP treatment, which is the optimum surface treatment for LM systems.

There are roughly three types of THK-AP treatment: AP-HC, AP-C and AP-CF. (See **B0-20**.)

### ● Contamination Protection

When foreign material enters an LM system, it will cause abnormal wear or shorten the service life, and it is necessary to prevent foreign material from entering the system. When entrance of foreign material is predicted, it is important to select an effective sealing device or dust-control device that meets the environment conditions.

THK offers contamination protection accessories for LM Guides by model number, such as end seals made of special synthetic rubber with high wear resistance, and side seals and inner seals for further increasing dust-prevention effect.

In addition, for locations with adverse environment, Laminated Contact Scraper LaCS and dedicated bellows are available by model number. Also, THK offers dedicated caps for LM rail mounting holes, designed to prevent cutting chips from entering the LM rail mounting holes.

When it is required to provide contamination protection for a Ball Screw in an environment exposed to cutting chips and moisture, we recommend using a telescopic cover that protects the whole system or a large bellows.

For the options, see **B1-103**.

[Special environments]

## Clean Room

In a clean environment generation of dust from the LM system has to be reduced and anti-rust oil cannot be used. Therefore, it is necessary to increase the corrosion resistance of the LM system. In addition, depending on the level of cleanliness, a dust collector is required.

### Dust Generation from the LM System

#### ■ Measure to Prevent Dust Generation Resulting from Flying Grease

##### THK AFE-CA and AFF Grease

Use environmentally clean grease that produces little dust.

#### ■ Measure to Reduce Dust Generation Resulting from Metallic Abrasion Dust

##### Caged Ball LM Guide

Use the Caged Ball LM Guide, which has no friction between balls and generates little metallic abrasion dust, to allow generation of dust to be minimized.

### Corrosion Prevention

#### ■ Material-based Measure

##### Stainless Steel LM Guide

This LM Guide uses martensite stainless steel, which has corrosion resistant effect.

##### Highly Corrosion Resistant LM Guide

It uses austenite stainless steel, which has a high corrosion resistant effect, in its LM rail.

#### ■ Measure Through Surface Treatment

##### THK AP-HC, AP-C and AP-CF Treatment

The LM system is surface treated to increase corrosion resistance.

### Caged Ball LM Guide

Supported models

SHS SSR SVR/SVS  
SHW SRS SCR EPF

### Caged Roller LM Guide

Supported models

SRG SRN SRW

### Stainless Steel LM Guide

Supported models

SHS SSR SHW SRS HSR  
SR HRW HR RSX RSR

### LM Guides for Special Environment

Supported models

High Corrosion Resistance HSR-M2  
Oil-Free SR-MS

### Surface Treatment

### Grease

SHS  A1-92	SSR  A1-104	SVR/SVS  A1-118	SHW  A1-138	
SRS  A1-148	SCR  A1-164	EPF  A1-172		
SRG  A1-412	SRN  A1-432	SRW  A1-446		
SHS  A1-92	SSR  A1-104	SHW  A1-138	SRS  A1-148	HSR  A1-180
SR  A1-210	HRW  A1-242	HR  A1-272	RSX  A1-252	RSR  A1-262
HSR-M2  A1-386	SR-MS  A1-400			
THK AP-HC Treatment  B0-20				
THK AFE-CA Grease  A24-13	THK AFF Grease  A24-15	L100 Grease  A24-25		

## Vacuum

In a vacuum environment, measures are required to prevent gas from being emitted from a resin and the scattering of grease. Anti-rust oil cannot be used, therefore, it is necessary to select a product with high corrosion resistance.

### ■ Measure to Prevent Emission of Gas from Resin

#### Stainless Steel LM Guide

The endplate (ball circulation path normally made of resin) of the LM block is made of stainless steel to reduce emission of gas.

### ■ Measure to Prevent Grease from Evaporating

#### Vacuum Grease

If a general-purpose grease is used in a vacuum environment, oil contained in the grease evaporates and the grease loses lubricity. Therefore, use a vacuum grease that uses fluorine based oil, whose vapor pressure is low, as the base oil.

### ■ Corrosion Prevention

#### Stainless Steel LM Guide

In a vacuum environment, use a stainless steel LM Guide, which is highly corrosion resistant.

#### High Temperature LM Guide

If high temperature is predicted due to baking, use a High Temperature LM Guide, which is highly resistant to heat and corrosion.

### ■ Highly Corrosion Resistant LM Guide

This LM Guide uses austenite stainless steel, which has a high anti-corrosion effect, in the LM rail.

## Oil-Free

In environments susceptible to liquid lubricants, a lubrication method other than grease or oil is required.

### ■ Dry Lubricant

#### Dry Lubrication S-Compound Film

Dry Lubrication S-Compound Film is a fully dry lubricant developed for use under atmospheric to high-vacuum environments. It has superior characteristics in load carrying capacity, wear resistance and sealability to other lubrication systems.

### High Temperature LM Guide



HSR-M1 SR-M1  
RSR-M1

### LM Guides for Special Environment



For Medium-to-Low Vacuum HSR-M1VV  
Oil-Free SR-MS

### Highly Corrosion Resistant LM Guide

### Stainless Steel LM Guide



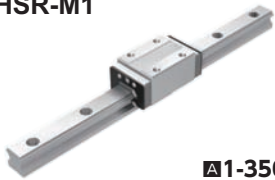
HSR SR HRW HR  
RSX RSR

### Vacuum Grease

### Oil-Free LM Guide



HSR-M1



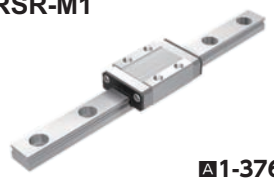
A1-350

SR-M1



A1-366

RSR-M1



A1-376

HSR-M1VV



A1-392

SR-MS



A1-400

HSR-M2



A1-386

HSR



A1-180

SR



A1-210

HRW



A1-242

HR



A1-272

RSX



A1-252

RSR



A1-262

SR-MS



A1-400

# Corrosion Prevention

As with clean room applications, it is necessary to increase corrosion resistance through material selection and surface treatment.

## ■ Material-based Measure

### Stainless Steel LM Guide

This LM Guide uses martensite stainless steel, which has an anti-corrosion effect.

### Highly Corrosion Resistant LM Guide

It uses austenite stainless steel, which has a high anti-corrosion effect, in its LM rail.

## ■ Measure Through Surface Treatment

### THK AP-HC, AP-C and AP-CF Treatment

The LM system is surface treated to increase corrosion resistance.




## Stainless Steel LM Guide



SHS SSR SHW SRS HSR  
SR HRW HR RSX RSR

## Highly Corrosion Resistant LM Guide

## Surface Treatment

<p><b>SHS</b></p>  <p><b>A1-92</b></p>	<p><b>SSR</b></p>  <p><b>A1-104</b></p>	<p><b>SHW</b></p>  <p><b>A1-138</b></p>	<p><b>SRS</b></p>  <p><b>A1-148</b></p>
<p><b>HSR</b></p>  <p><b>A1-180</b></p>	<p><b>SR</b></p>  <p><b>A1-210</b></p>	<p><b>HRW</b></p>  <p><b>A1-242</b></p>	<p><b>HR</b></p>  <p><b>A1-272</b></p>
<p><b>RSX</b></p>  <p><b>A1-252</b></p>	<p><b>RSR</b></p>  <p><b>A1-262</b></p>		
<p><b>HSR-M2</b></p>  <p><b>A1-386</b></p>			
<p><b>THK AP-HC Treatment</b></p>  <p><b>B0-20</b></p>			
<p><b>THK AP-C Treatment</b></p>  <p><b>B0-20</b></p>			
<p><b>THK AP-CF Treatment</b></p>  <p><b>B0-20</b></p>			

# High Speed

In a high speed environment, it is necessary to apply an optimum lubrication method that reduces heat generation during high speed operation and increases grease retention.

## ■ Measures to Reduce Heat Generation

### Caged Ball LM Guide

Use of a ball cage eliminates friction between balls to reduce heat generation. In addition, grease retention is increased, thus to achieve long service life and high speed operation.

### THK AFA Grease, AFJ Grease

It reduces heat generation in high speed operation and has superb lubricity.

## ■ Measure to Improve Lubrication

### QZ Lubricator

Continuous oil lubrication ensures that the lubrication and maintenance interval can significantly be extended. It also applies the right amount of oil to the raceway, making itself an eco-friendly lubrication system that does not contaminate the surrounding area.

## Caged Ball LM Guide

Supported models

SHS SSR SVR/SVS  
SHW SRS SCR EPF

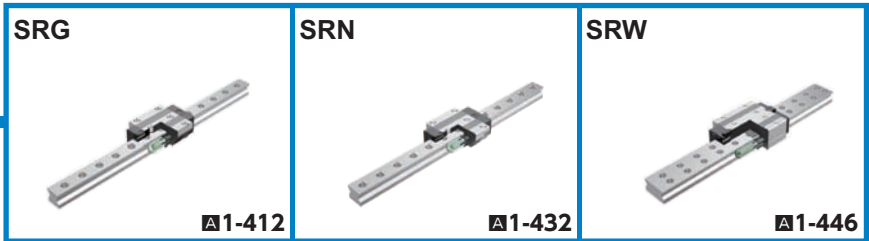
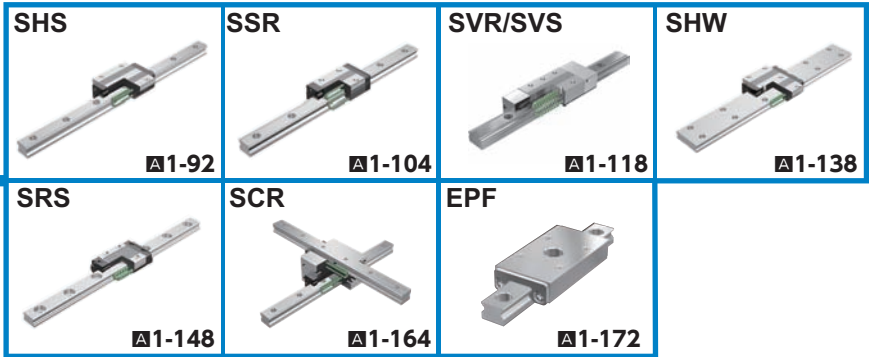
## Caged Roller LM Guide

Supported models

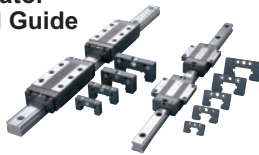
SRG SRN SRW

## QZ Lubricator

## Grease



**QZ Lubricator  
for the LM Guide**



**A1-509**

**THK AFA Grease**



**A24-7**

**THK AFJ Grease**



**A24-21**

## High Temperature

In a high temperature environment, dimensional alterations caused by heat is problematic. Use a High Temperature LM Guide, which is heat resistant and has minimal dimensional alterations after being heated. Also, use a high temperature grease.

### Heat Resistance

#### High Temperature LM Guide

A special heat treatment to maintain dimensional stability minimizes dimensional variations due to heating and cooling.

### Grease

#### High Temperature Grease

Use a high temperature grease with which the rolling resistance of the LM system is consistent even at high temperature.

## High Temperature LM Guide



HSR-M1 SR-M1 RSR-M1  
HSR-M1VV

## High Temperature Grease

## Low Temperature

In a low temperature environment, use an LM system with a minimal amount of resin components and a grease that minimize fluctuations in rolling resistance, even at low temperature.

### Impact of Low Temperature on Resin Components

#### Stainless Steel LM Guide

The endplate (ball circulation path normally made of resin) of the LM block is made of stainless steel.

### Corrosion Prevention

Provide surface treatment to the LM system to increase its corrosion resistance.

### Grease

Use THK AFC Grease, with which the rolling resistance of the system little is consistent even at low temperature.

## Stainless Steel LM Guide



SHS SSR SHW SRS HSR  
SR HRW HR RSX RSR

## Surface Treatment

## Low Temperature Grease

## Micro Motion

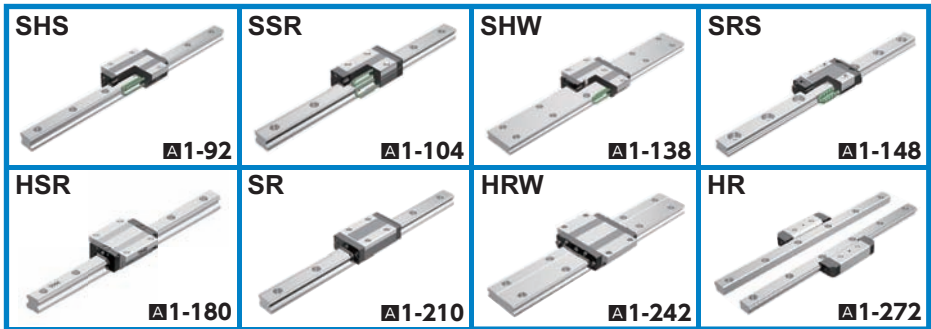
Micro strokes cause the oil film to break, resulting in poor lubrication and early wear. In such cases, select a grease with which the oil film strength is high and an oil film can easily be formed.

### Grease

#### THK AFC Grease

AFC Grease is a urea-based grease that excels in oil film strength and wear resistance.

## Grease



## Foreign Matter

If foreign matter enters the LM system, it will cause abnormal wear and shorten the service life. Therefore, it is necessary to prevent such entrance of foreign matter.

Especially in an environment containing small foreign matter or a water-soluble coolant that a telescopic cover or a bellows cannot remove, it is necessary to attach a contamination protection accessory capable of efficiently removing foreign matter.

### ■ Metal Scraper

It is used to remove relatively large foreign objects such as cutting chips, spatter and sand or hard foreign matter that adhere to the LM rail.

### ■ Laminated Contact Scraper LaCS

Unlike a metal scraper, it removes foreign matter while it is in contact with the LM rail. Therefore, it demonstrates a high contamination protection effect against small foreign matter, which has been difficult to remove with conventional metal scrapers.

### ■ QZ Lubricator

QZ Lubricator is a lubrication system that feeds the right amount of lubricant by closely contacting its highly oil-impregnated fiber net to the ball raceway.

### ■ Metal Cap Dedicated for LM Rail Mounting Holes GC Cap

GC cap is a metallic cap that plugs the LM rail mounting hole (article compliant with the RoHS Directives). It prevents the entrance of foreign material and coolant from the LM rail top face (mounting hole) under harsh environments, and significantly increases the dust control performance of the LM Guide if used with a dust control seal.

### ■ Protector

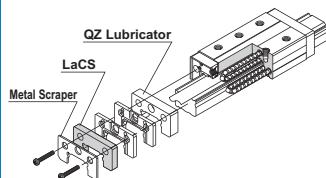
The protector minimizes the entrance of foreign material even in harsh environments where foreign material such as fine particles and liquids are present.

## LM Guide

+Metal scraper

+Contact scraper LaCS

+Cap GC, etc.



B 1-103

Supported models

**Caged Ball LM Guide**

SHS SSR SVR/SVS SHW SRS

**Full Ball LM Guide**

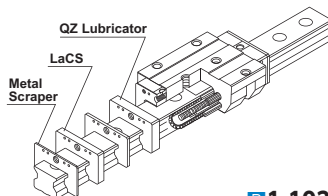
HSR NR/NRS-X

## Caged Roller LM Guide

+Metal scraper

+Contact scraper LaCS

+Cap GC, etc.



B 1-103

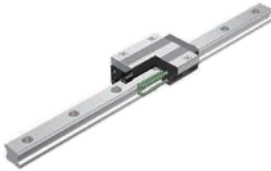
Supported models

**SRG**



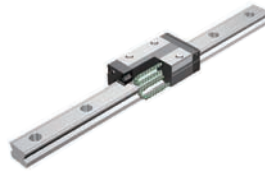
## Caged Ball LM Guide

SHS



A1-92

SSR



A1-104

SHW



A1-138

SRS



A1-148

SVR/SVS



Featuring the protector A1-118

## Full ball LM Guide

HSR



A1-180

NR/NRS-X



A1-222

## Caged Roller LM Guide

SRG



Featuring the protector

A1-412

# Selecting a Type

## Types of LM Guides

THK offers a wide array of types and dimensions with LM Guides as standard so that you can select the optimal product for any application. With the unit structure of each model, you can easily obtain high running accuracy with no clearance simply by mounting the product on a plane surface with bolts. We have a proven track record and know-how in extensive applications with LM Guides.

Classification		Type		Specification Table*	Load capacity diagram	Basic load rating (kN)	
						Basic dynamic load rating	Basic static load rating
Radial type	Caged Ball LM Guide		SSR-XW	▶ <a href="#">1-108</a>		14.7 to 64.6	16.5 to 71.6
			SSR-XV	▶ <a href="#">1-110</a>		9.1 to 48.3	9.7 to 46.7
			SSR-XTB	▶ <a href="#">1-112</a>		14.7 to 64.6	16.5 to 71.6
			SSR-XSB	▶ <a href="#">1-114</a>		9.1 to 48.3	9.7 to 46.7
	Full-Complement Ball LM Guides		SR-W	▶ <a href="#">1-216</a>		13.8 to 411	20.5 to 537
			SR-M1W	▶ <a href="#">1-370</a>		13.8 to 60.4	20.5 to 81.8
			SR-V	▶ <a href="#">1-216</a>		9.1 to 40.9	11.7 to 46.7
			SR-M1V	▶ <a href="#">1-370</a>		9.1 to 40.9	11.7 to 46.7
			SR-TB	▶ <a href="#">1-218</a>		13.8 to 136	20.5 to 179
			SR-M1TB	▶ <a href="#">1-372</a>		13.8 to 60.4	20.5 to 81.8
			SR-SB	▶ <a href="#">1-218</a>	9.1 to 40.9	11.7 to 46.7	
			SR-M1SB	▶ <a href="#">1-372</a>	9.1 to 40.9	11.7 to 46.7	
	Oil-Free LM Guides for Special Environments		SR-MSV	▶ <a href="#">1-404</a>	—	—	
			SR-MSW	▶ <a href="#">1-404</a>	—	—	
	Caged Ball LM Guides for Machine Tools high-rigidity model for ultra-heavy loads		SVR-C	▶ <a href="#">1-128</a>		48 to 260	68 to 328
			SVR-LC	▶ <a href="#">1-128</a>		57 to 340	86 to 481
			SVR-R	▶ <a href="#">1-124</a>		48 to 260	68 to 328
			SVR-LR	▶ <a href="#">1-124</a>		57 to 340	86 to 481
			SVR-CH	▶ <a href="#">1-134</a>		90 to 177	115 to 238
			SVR-LCH	▶ <a href="#">1-134</a>		108 to 214	159 to 312
		SVR-RH	▶ <a href="#">1-132</a>	90 to 177		115 to 238	
		SVR-LRH	▶ <a href="#">1-132</a>	108 to 214		159 to 312	

\* For specification tables for each model, please see "▶ Product Descriptions."

## Point of Selection


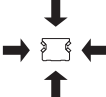
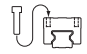
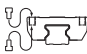



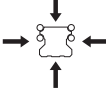

## Selecting a Type

	External dimensions (mm)		Features	Major application
	Height	Width		
	24 to 48	34 to 70	<ul style="list-style-type: none"> <li>Long service life, long-term maintenance-free operation</li> <li>Low dust generation, low noise, acceptable running sound</li> <li>Superbly high speed</li> <li>Smooth motion in all mounting orientations</li> <li>Thin, compact design, large radial load capacity</li> <li>Superb in planar running accuracy</li> <li>Superb capability of absorbing mounting error</li> <li>Stainless steel type also available as standard</li> </ul>	<ul style="list-style-type: none"> <li>Surface grinder table</li> <li>Tool grinder table</li> <li>Electric discharge machine</li> <li>Printed circuit board drilling machine</li> <li>Chip mounter</li> <li>High-speed transfer equipment</li> <li>Traveling unit of robots</li> <li>Machining center</li> <li>NC lathe</li> <li>Five axis milling machine</li> <li>Conveyance system</li> <li>Mold guide of pressing machines</li> <li>Inspection equipment</li> <li>Testing machine</li> <li>Food-related machine</li> <li>Medical equipment</li> <li>3D measuring instrument</li> <li>Packaging machine</li> <li>Injection molding machine</li> <li>Woodworking machine</li> <li>Ultra precision table</li> <li>Semiconductor/liquid crystal manufacturing equipment</li> </ul>
	24 to 48	34 to 70		
	24 to 48	52 to 100		
	24 to 48	52 to 100		
	24 to 135	34 to 250	<ul style="list-style-type: none"> <li>Thin, compact design, large radial load capacity</li> <li>Superb in planar running accuracy</li> <li>Superb capability of absorbing mounting error</li> <li>Stainless steel type also available as standard</li> <li>Type M1, achieving max service temperature of 150°C, also available</li> </ul>	<ul style="list-style-type: none"> <li>Photolithography machine</li> <li>Organic EL display manufacturing machine</li> <li>Ion implantation equipment</li> </ul>
	24 to 48	34 to 70		
	24 to 48	34 to 70		
	24 to 48	34 to 70		
	24 to 68	52 to 140		
	24 to 48	52 to 100		
	24 to 48	52 to 100		
	24 to 48	52 to 100		
	24 to 28	34 to 42		
	24 to 28	34 to 42		
	31 to 75	72 to 170	<ul style="list-style-type: none"> <li>Long service life, long-term maintenance-free operation</li> <li>Low dust generation, low noise, acceptable running sound</li> <li>Superbly high speed</li> <li>Smooth motion in all mounting orientations</li> <li>Ultra-heavy load capacity optimal for machine tools</li> <li>Thin, compact design, large radial load capacity</li> <li>High vibration resistance and impact resistance due to improved damping characteristics</li> <li>Superb in planar running accuracy</li> </ul>	<ul style="list-style-type: none"> <li>Machining center</li> <li>NC lathe</li> <li>Grinding machine</li> <li>Five axis milling machine</li> <li>Jig borer</li> <li>Drilling machine</li> <li>NC milling machine</li> <li>Horizontal milling machine</li> <li>Mold processing machine</li> <li>Graphite working machine</li> <li>Electric discharge machine</li> <li>Wire-cut electric discharge machine</li> </ul>
	31 to 75	72 to 170		
	31 to 75	50 to 126		
	31 to 75	50 to 126		
	48 to 70	100 to 140	<ul style="list-style-type: none"> <li>Long service life, long-term maintenance-free operation</li> <li>Low dust generation, low noise, acceptable running sound</li> <li>Superbly high speed</li> <li>Smooth motion in all mounting orientations</li> <li>Ultra-heavy load capacity optimal for machine tools</li> <li>Large radial load capacity</li> <li>High vibration resistance and impact resistance due to improved damping characteristics</li> <li>Superb in planar running accuracy</li> <li>Has dimensions almost the same as that of the full-ball type LM Guide model HSR, which is practically a global standard size</li> </ul>	<ul style="list-style-type: none"> <li>Horizontal milling machine</li> <li>Mold processing machine</li> <li>Graphite working machine</li> <li>Electric discharge machine</li> <li>Wire-cut electric discharge machine</li> </ul>
	48 to 70	100 to 140		
	55 to 80	70 to 100		
	55 to 80	70 to 100		

Classification		Type		Specification Table*	Load capacity diagram	Basic load rating (kN)	
						Basic dynamic load rating	Basic static load rating
Radial type	Full-Complement Ball LM Guides for Machine Tools high-rigidity model for ultra-heavy loads		NR-RX	▶ <a href="#">A1-228</a>		37.1 to 208.7	68.1 to 351.7
			NR-LRX	▶ <a href="#">A1-228</a>		45.4 to 268.9	90.8 to 505.5
			NR-CX	▶ <a href="#">A1-232</a>		37.1 to 208.7	68.1 to 351.7
			NR-LCX	▶ <a href="#">A1-232</a>		45.4 to 268.9	90.8 to 505.5
			NR-R	▶ <a href="#">A1-228</a>		271 to 479	610 to 1040
			NR-LR	▶ <a href="#">A1-228</a>		355 to 599	800 to 1300
			NR-A	▶ <a href="#">A1-236</a>		271 to 479	610 to 1040
			NR-LA	▶ <a href="#">A1-236</a>		355 to 599	800 to 1300
	NR-B	▶ <a href="#">A1-238</a>	271 to 479	610 to 1040			
NR-LB	▶ <a href="#">A1-238</a>	355 to 599	800 to 1300				
4-way type	LM Guides for Machine Tools high-rigidity model for ultra-heavy loads		SVS-R	▶ <a href="#">A1-126</a>		37 to 199	52 to 251
			SVS-LR	▶ <a href="#">A1-126</a>		44 to 261	66 to 368
			SVS-C	▶ <a href="#">A1-130</a>		37 to 199	52 to 251
			SVS-LC	▶ <a href="#">A1-130</a>		44 to 261	66 to 368
			SVS-RH	▶ <a href="#">A1-132</a>		69 to 136	88 to 182
			SVS-LRH	▶ <a href="#">A1-132</a>		83 to 164	122 to 239
		SVS-CH	▶ <a href="#">A1-134</a>	69 to 136		88 to 182	
		SVS-LCH	▶ <a href="#">A1-134</a>	83 to 164		122 to 239	
	Full-Complement Ball LM Guides for Machine Tools high-rigidity model for ultra-heavy loads		NRS-CX	▶ <a href="#">A1-234</a>		28.4 to 159.8	52.2 to 269.4
			NRS-LCX	▶ <a href="#">A1-234</a>		34.7 to 206	69.6 to 387.2
			NRS-RX	▶ <a href="#">A1-230</a>		28.4 to 159.8	52.2 to 269.4
			NRS-LRX	▶ <a href="#">A1-230</a>		34.7 to 206	69.6 to 387.2
4-way equal load type	Full-Complement Ball LM Guides for Machine Tools high-rigidity model for ultra-heavy loads		NRS-A	▶ <a href="#">A1-236</a>		212 to 376	431 to 737
			NRS-LA	▶ <a href="#">A1-236</a>		278 to 470	566 to 920
			NRS-B	▶ <a href="#">A1-238</a>		212 to 376	431 to 737
			NRS-LB	▶ <a href="#">A1-238</a>		278 to 470	566 to 920
			NRS-R	▶ <a href="#">A1-230</a>		212 to 376	431 to 737
			NRS-LR	▶ <a href="#">A1-230</a>		278 to 470	566 to 920

\* For specification tables for each model, please see "A Product Descriptions."

External dimensions (mm)		Features	Major application
Height	Width		
31 to 75	50 to 126	<ul style="list-style-type: none"> <li>• Low dust generation, low noise, acceptable running sound</li> <li>• Superbly high speed</li> <li>• Smooth motion in all mounting orientations</li> <li>• Ultra-heavy load capacity optimal for machine tools</li> <li>• Thin, compact design, large radial load capacity</li> <li>• High vibration resistance and impact resistance due to improved damping characteristics</li> <li>• Superb in planar running accuracy</li> </ul>	<ul style="list-style-type: none"> <li>• Machining center</li> <li>• NC lathe</li> <li>• Grinding machine</li> <li>• Five axis milling machine</li> <li>• Jig borer</li> <li>• Drilling machine</li> <li>• NC milling machine</li> <li>• Horizontal milling machine</li> <li>• Mold processing machine</li> <li>• Graphite working machine</li> <li>• Electric discharge machine</li> <li>• Wire-cut electric discharge machine</li> </ul>
31 to 75	50 to 126		
31 to 75	72 to 170		
31 to 75	72 to 170		
83 to 105	145 to 200	<ul style="list-style-type: none"> <li>• Ultra-heavy load capacity optimal for machine tools</li> <li>• High vibration resistance and impact resistance due to improved damping characteristics</li> <li>• Thin, compact design, large radial load capacity</li> <li>• Superb in planar running accuracy</li> </ul>	
83 to 105	145 to 200		
83 to 105	195 to 260		
83 to 105	195 to 260		
83 to 105	195 to 260		
83 to 105	195 to 260		
31 to 75	50 to 126	<ul style="list-style-type: none"> <li>• Long service life, long-term maintenance-free operation</li> <li>• Low dust generation, low noise, acceptable running sound</li> <li>• Superbly high speed</li> <li>• Smooth motion in all mounting orientations</li> <li>• Ultra-heavy load capacity optimal for machine tools</li> <li>• Low profile, compact 4-way type</li> <li>• High vibration resistance and impact resistance due to improved damping characteristics</li> </ul>	
31 to 75	50 to 126		
31 to 75	72 to 170		
31 to 75	72 to 170		
55 to 80	70 to 100	<ul style="list-style-type: none"> <li>• Long service life, long-term maintenance-free operation</li> <li>• Low dust generation, low noise, acceptable running sound</li> <li>• Superbly high speed</li> <li>• Smooth motion in all mounting orientations</li> <li>• Ultra-heavy load capacity optimal for machine tools</li> <li>• 4-way type</li> <li>• High vibration resistance and impact resistance due to improved damping characteristics</li> <li>• Has dimensions almost the same as that of the full-ball type LM Guide model HSR, which is practically a global standard size</li> </ul>	
55 to 80	70 to 100		
48 to 70	100 to 140		
48 to 70	100 to 140		
31 to 75	72 to 170	<ul style="list-style-type: none"> <li>• Low dust generation, low noise, acceptable running sound</li> <li>• Superbly high speed</li> <li>• Smooth motion in all mounting orientations</li> <li>• Ultra-heavy load capacity optimal for machine tools</li> <li>• Low profile, compact 4-way type</li> <li>• High vibration resistance and impact resistance due to improved damping characteristics</li> </ul>	
31 to 75	72 to 170		
31 to 75	50 to 126		
31 to 75	50 to 126		
83 to 105	195 to 260	<ul style="list-style-type: none"> <li>• Ultra-heavy load capacity optimal for machine tools</li> <li>• High vibration resistance and impact resistance due to improved damping characteristics</li> <li>• Low-Profile compact design, 4-way equal load</li> </ul>	
83 to 105	195 to 260		
83 to 105	195 to 260		
83 to 105	195 to 260		
83 to 105	145 to 200		
83 to 105	145 to 200		


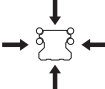
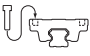




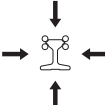


Classification		Type		Specification Table*	Load capacity diagram	Basic load rating (kN)	
						Basic dynamic load rating	Basic static load rating
4-way equal load type	Caged Roller LM Guide - super ultra-heavy-load, high rigidity types		SRG-A, C	▶ <a href="#">1-418</a>		11.3 to 131	25.8 to 266
			SRG-LA, LC	▶ <a href="#">1-418</a>		26.7 to 278	63.8 to 599
			SRG-R, V	▶ <a href="#">1-424</a>		11.3 to 131	25.8 to 266
			SRG-LR, LV	▶ <a href="#">1-424</a>		26.7 to 601	63.8 to 1170
			SRN-C	▶ <a href="#">1-438</a>		59.1 to 219	119 to 441
			SRN-LC	▶ <a href="#">1-438</a>		76 to 278	165 to 599
			SRN-SLC	▶ <a href="#">1-438</a>		87.9 to 352	199 to 811
			SRN-R	▶ <a href="#">1-440</a>		59.1 to 219	119 to 441
			SRN-LR	▶ <a href="#">1-440</a>		76 to 278	165 to 599
			SRN-SLR	▶ <a href="#">1-440</a>		87.9 to 352	199 to 811
			SRW-LR	▶ <a href="#">1-450</a>		115 to 601	256 to 1170
		Caged Ball LM Guide - heavy-load, high rigidity types		SHS-C		▶ <a href="#">1-96</a>	
	SHS-LC			▶ <a href="#">1-96</a>	17.2 to 253	31.9 to 408	
			SHS-V	▶ <a href="#">1-98</a>	14.2 to 205	24.2 to 320	
			SHS-LV	▶ <a href="#">1-98</a>	17.2 to 253	31.9 to 408	
			SHS-R	▶ <a href="#">1-100</a>	14.2 to 128	24.2 to 197	
			SHS-LR	▶ <a href="#">1-100</a>	36.8 to 161	64.7 to 259	

\* For specification tables for each model, please see "Product Descriptions."

## Point of Selection

## Selecting a Type

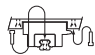
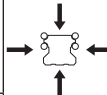
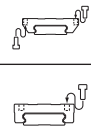
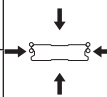
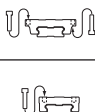

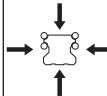

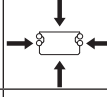
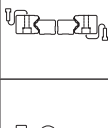
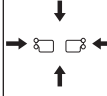
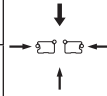
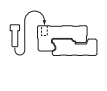
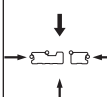
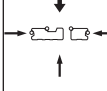
External dimensions (mm)		Features	Major application
Height	Width		
24 to 70	47 to 140	<ul style="list-style-type: none"> <li>• Long service life, long-term maintenance-free operation</li> <li>• Low noise, acceptable running sound</li> <li>• Superbly high speed</li> <li>• Smooth motion due to prevention of rollers from skewing</li> <li>• Ultra-heavy load capacity optimal for machine tools</li> </ul>	<ul style="list-style-type: none"> <li>• Machining center</li> <li>• NC lathe</li> <li>• Grinding machine</li> <li>• Five axis milling machine</li> <li>• Jig borer</li> <li>• Drilling machine</li> <li>• NC milling machine</li> <li>• Horizontal milling machine</li> <li>• Mold processing machine</li> <li>• Graphite working machine</li> <li>• Electric discharge machine</li> <li>• Wire-cut electric discharge machine</li> </ul>
30 to 120	63 to 250		
24 to 80	34 to 100		
30 to 90	44 to 126		
44 to 75	100 to 170	<ul style="list-style-type: none"> <li>• Long service life, long-term maintenance-free operation</li> <li>• Low noise, acceptable running sound</li> <li>• Superbly high speed</li> <li>• Smooth motion due to prevention of rollers from skewing</li> <li>• Ultra-heavy load capacity optimal for machine tools</li> <li>• Low center of gravity, ultra-high rigidity</li> </ul>	
44 to 75	100 to 170		
44 to 75	100 to 170		
44 to 75	70 to 126		
44 to 75	70 to 126		
44 to 75	70 to 126		
44 to 75	70 to 126		
70 to 150	135 to 300	<ul style="list-style-type: none"> <li>• Long service life, long-term maintenance-free operation</li> <li>• Low dust generation, low noise, acceptable running sound</li> <li>• Superbly high speed</li> <li>• Smooth motion in all mounting orientations</li> <li>• Heavy load, high rigidity</li> <li>• Has dimensions almost the same as that of the full-ball type LM Guide model HSR, which is practically a global standard size</li> <li>• Superb capability of absorbing mounting error</li> </ul>	<ul style="list-style-type: none"> <li>• Machining center</li> <li>• NC lathe</li> <li>• XYZ axes of heavy cutting machine tools</li> <li>• Grinding head feeding axis of grinding machines</li> <li>• Components requiring a heavy moment and high accuracy</li> <li>• NC milling machine</li> <li>• Horizontal milling machine</li> <li>• Gantry five axis milling machine</li> <li>• Z axis of electric discharge machines</li> <li>• Wire-cut electric discharge machine</li> <li>• Car elevator</li> <li>• Food-related machine</li> <li>• Testing machine</li> <li>• Vehicle doors</li> <li>• Printed circuit board drilling machine</li> <li>• ATC</li> <li>• Construction equipment</li> <li>• Shield machine</li> <li>• Semiconductor/liquid crystal manufacturing equipment</li> </ul>
24 to 90	47 to 170		
24 to 90	47 to 170		
24 to 90	34 to 126		
24 to 90	34 to 126		
28 to 80	34 to 100		
28 to 80	34 to 100		

Classification		Type		Specification Table*	Load capacity diagram	Basic load rating (kN)			
						Basic dynamic load rating	Basic static load rating		
4-way equal load type	Full-Complement Ball LM Guide - heavy-load, high rigidity types		HSR-C/XC	▶ <a href="#">■1-186</a>		10.9 to 195	15.7 to 228		
			HSR-LC/XLC	▶ <a href="#">■1-186</a>		14.2 to 249	22.9 to 323		
			HSR-A	▶ <a href="#">■1-192</a>		10.9 to 304	15.7 to 355		
			HSR-M1A	▶ <a href="#">■1-356</a>		10.9 to 53.9	15.7 to 70.2		
			HSR-LA	▶ <a href="#">■1-192</a>		23.9 to 367	35.8 to 464		
			HSR-M1LA	▶ <a href="#">■1-356</a>		23.9 to 65	35.8 to 91.7		
			HSR-CA/XCA	▶ <a href="#">■1-198</a>		19.8 to 304	27.4 to 355		
			HSR-HA/XHA	▶ <a href="#">■1-198</a>		23.9 to 518	35.8 to 728		
			HSR-B	▶ <a href="#">■1-194</a>		10.9 to 304	15.7 to 355		
			HSR-M1B	▶ <a href="#">■1-358</a>		10.9 to 53.9	15.7 to 70.2		
			HSR-LB	▶ <a href="#">■1-194</a>		23.9 to 367	35.8 to 464		
			HSR-M1LB	▶ <a href="#">■1-358</a>		23.9 to 65	35.8 to 91.7		
			HSR-CB/XCB	▶ <a href="#">■1-200</a>		19.8 to 304	27.4 to 355		
			HSR-HB/XHB	▶ <a href="#">■1-200</a>		23.9 to 518	35.8 to 728		
			HSR-R/XR	▶ <a href="#">■1-190</a>		1.08 to 304	2.16 to 355		
			HSR-M1R	▶ <a href="#">■1-360</a>		10.9 to 53.9	15.7 to 70.2		
			HSR-LR/XLR	▶ <a href="#">■1-190</a>		23.9 to 367	35.8 to 464		
			HSR-M1LR	▶ <a href="#">■1-360</a>		23.9 to 65	35.8 to 91.7		
			HSR-HR	▶ <a href="#">■1-202</a>		441 to 518	540 to 728		
		LM Guide for Medium-to-Low Vacuum		HSR-M1VV		▶ <a href="#">■1-396</a>		10.9	15.7
		Full-ball LM Guide - side mount types		HSR-YR/XYR		▶ <a href="#">■1-196</a>	10.9 to 195	15.7 to 228	
	HSR-M1YR			▶ <a href="#">■1-362</a>	10.9 to 53.9	15.7 to 70.2			
	Full-Complement LM Guides - special LM rail types		JR-A	▶ <a href="#">■1-324</a>		27.6 to 121	36.4 to 146		
			JR-B	▶ <a href="#">■1-324</a>		27.6 to 121	36.4 to 146		
			JR-R	▶ <a href="#">■1-324</a>		27.6 to 121	36.4 to 146		

\* For specification tables for each model, please see "■ Product Descriptions."



External dimensions (mm)		Features	Major application
Height	Width		
24 to 90	47 to 170	<ul style="list-style-type: none"> <li>• Heavy load, high rigidity</li> <li>• Practically a global standard size</li> <li>• Superb capability of absorbing mounting error</li> <li>• Stainless steel type also available as standard</li> <li>• Type M1, achieving max service temperature of 150°C, also available</li> <li>• Type M2, with high corrosion resistance, also available (Basic dynamic load rating: 2.33 to 5.57 kN) (Basic static load rating: 2.03 to 5.16 kN)</li> </ul>	<ul style="list-style-type: none"> <li>• Machining center</li> <li>• NC lathe</li> <li>• XYZ axes of heavy cutting machine tools</li> <li>• Grinding head feeding axis of grinding machines</li> <li>• Components requiring a heavy moment and high accuracy</li> <li>• NC milling machine</li> <li>• Horizontal milling machine</li> <li>• Gantry five axis milling machine</li> <li>• Z axis of electric discharge machines</li> <li>• Wire-cut electric discharge machine</li> <li>• Car elevator</li> <li>• Food-related machine</li> <li>• Testing machine</li> <li>• Vehicle doors</li> <li>• Printed circuit board drilling machine</li> <li>• ATC</li> <li>• Construction equipment</li> <li>• Shield machine</li> <li>• Semiconductor/liquid crystal manufacturing equipment</li> </ul>
24 to 90	47 to 170		
24 to 110	47 to 215		
24 to 48	47 to 100		
30 to 110	63 to 215		
30 to 48	63 to 100		
30 to 110	63 to 215		
30 to 145	63 to 350		
24 to 110	47 to 215		
24 to 48	47 to 100		
30 to 110	63 to 215		
30 to 48	63 to 100		
30 to 110	63 to 215		
30 to 145	63 to 350		
11 to 110	16 to 156		
28 to 55	34 to 70		
30 to 110	44 to 156		
30 to 55	44 to 70		
120 to 145	250 to 266		
28	34	<ul style="list-style-type: none"> <li>• Can be used in various environments at atmospheric pressure to vacuum (<math>10^{-3}</math> [Pa])</li> <li>• Allows baking temperature of 200°C* at a maximum</li> <li>* If the baking temperature exceeds 100°C, multiply the basic load rating with the temperature coefficient.</li> </ul>	<ul style="list-style-type: none"> <li>• Medical equipment</li> <li>• Semiconductor/liquid crystal manufacturing equipment</li> </ul>
28 to 90	33.5 to 124.5	<ul style="list-style-type: none"> <li>• Easy mounting and reduced mounting height when using 2 units opposed to each other since the side faces of the LM block have mounting holes</li> <li>• Heavy load, high rigidity</li> <li>• Superb capability of absorbing mounting error</li> <li>• Stainless steel type also available as standard</li> <li>• Type M1, achieving max service temperature of 150°C, also available</li> </ul>	<ul style="list-style-type: none"> <li>• Cross rails of gantry machine tools</li> <li>• Z axis of woodworking machines</li> <li>• Z axis of measuring instruments</li> <li>• Components opposed to each other</li> </ul>
28 to 55	33.5 to 69.5		
61 to 114	70 to 140	<ul style="list-style-type: none"> <li>• Since the central part of the LM rail is thinly structured, the LM Guide is capable of absorbing an error and achieving smooth motion if the parallelism between the two axes is poor</li> <li>• Since the LM rail has a highly rigid sectional shape, it can be used as a structural member</li> </ul>	<ul style="list-style-type: none"> <li>• Automated warehouse</li> <li>• Garage</li> <li>• Gantry robot</li> <li>• FMS traveling rail</li> <li>• Lift</li> <li>• Conveyance system</li> <li>• Welding machine</li> <li>• Lifter</li> <li>• Crane</li> <li>• Forklift</li> <li>• Coating machine</li> <li>• Shield machine</li> <li>• Stage setting</li> </ul>
61 to 114	70 to 140		
65 to 124	48 to 100		

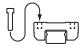
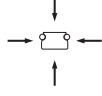
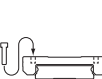

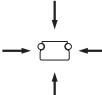
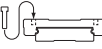
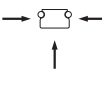
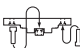
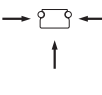

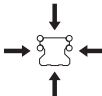

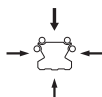
Classification		Type		Specification Table*	Load capacity diagram	Basic load rating (kN)		
						Basic dynamic load rating	Basic static load rating	
4-way equal load type	Caged Ball Cross LM Guide		SCR	▶ <a href="#">1-168</a>		36.8 to 253	64.7 to 408	
	Full-Complement LM Guide orthogonal type		CSR	▶ <a href="#">1-310</a>		10.9 to 100	15.7 to 135	
	Caged Ball LM Guide - wide, low center of gravity types		SHW-CA	▶ <a href="#">1-142</a>		4.31 to 70.2	5.66 to 91.4	
			SHW-CR, HR	▶ <a href="#">1-144</a>		4.31 to 70.2	5.66 to 91.4	
	Full-Complement Ball LM Guide - wide, low center of gravity types		HRW-CA	▶ <a href="#">1-246</a>		5.53 to 80.3	9.1 to 109	
			HRW-CR, LRM	▶ <a href="#">1-248</a>		3.29 to 62.4	7.16 to 86.3	
	Full-ball Straight - Curved Guide		HMG	▶ <a href="#">1-340</a>		2.56 to 66.2	Straight section 4.23 to 66.7 Curved section 0.44 to 36.2	
	Caged Ball LM Guides Finite stroke		EPF	▶ <a href="#">1-176</a>		0.90 to 3.71	1.60 to 5.88	
	Interchangeable designs	Full-Complement Ball LM Guide - separate types		HR, HR-T	▶ <a href="#">1-278</a>		2.82 to 226	3.48 to 232
				GSR-T	▶ <a href="#">1-290</a>		8.42 to 37	9.77 to 39.1
Full-Complement Ball LM Guides - LM rail-rack intergrated type			GSR-V	▶ <a href="#">1-290</a>		6.51 to 15.5	6.77 to 15.2	
			GSR-R	▶ <a href="#">1-298</a>		15.5 to 37	15.2 to 39.1	

\* For specification tables for each model, please see "▶ Product Descriptions."

## Point of Selection

## Selecting a Type

External dimensions (mm)		Features	Major application	
Height	Width			
70 to 180	88 to 226	<ul style="list-style-type: none"> <li>• A compact XY structure is allowed due to an XY orthogonal, single-piece LM block</li> <li>• Since a saddle-less structure is allowed, the machine can be lightweighted and compactly designed</li> <li>• Long service life, long-term maintenance-free operation</li> <li>• Low dust generation, low noise, acceptable running sound</li> <li>• Superbly high speed</li> </ul>	<ul style="list-style-type: none"> <li>• Low center of gravity, precision XY table</li> <li>• NC lathe</li> <li>• Optical measuring instrument</li> <li>• Automatic lathe</li> <li>• Inspection equipment</li> <li>• Cartesian coordinate robot</li> <li>• Bonding machine</li> </ul>	<ul style="list-style-type: none"> <li>• Wire-cut electric discharge machine</li> <li>• Hollow table</li> <li>• Printed circuit board assembler</li> <li>• Machine tool table</li> <li>• Electric discharge machine</li> <li>• XY axes of horizontal machining center</li> </ul>
47 to 118	38.8 to 129.8	<ul style="list-style-type: none"> <li>• A compact XY structure is allowed due to an XY orthogonal, single-piece LM block</li> <li>• Since a saddle-less structure is allowed, the machine can be lightweighted and compactly designed</li> </ul>		
12 to 50	40 to 162	<ul style="list-style-type: none"> <li>• Long service life, long-term maintenance-free operation</li> <li>• Low dust generation, low noise, acceptable running sound</li> <li>• Superbly high speed</li> <li>• Smooth motion in all mounting orientations</li> <li>• Wide, low center of gravity, space saving structure</li> <li>• Stainless steel type also available as standard</li> </ul>	<ul style="list-style-type: none"> <li>• Z axis of IC printed circuit board drilling machine</li> <li>• Z axis of small electric discharge machine</li> <li>• Loader</li> <li>• Machining center</li> <li>• NC lathe</li> <li>• Robot</li> <li>• Wire-cut electric discharge machine</li> </ul>	<ul style="list-style-type: none"> <li>• APC</li> <li>• Semiconductor/liquid crystal manufacturing equipment</li> <li>• Measuring instrument</li> <li>• Wafer transfer equipment</li> <li>• Construction equipment</li> <li>• Railroad vehicle</li> </ul>
12 to 50	30 to 130			
17 to 60	60 to 200	<ul style="list-style-type: none"> <li>• 4-way equal load, thin and highly rigid</li> <li>• Wide, low center of gravity, space saving structure</li> <li>• Stainless steel type also available as standard</li> </ul>		
12 to 50	30 to 130			
24 to 90	47 to 170	<ul style="list-style-type: none"> <li>• Freedom of design</li> <li>• Cost reduction through simplified structure</li> </ul>	<ul style="list-style-type: none"> <li>• Large swivel base</li> <li>• Pendulum vehicle for railroad</li> <li>• Pantagraph</li> <li>• Control unit</li> <li>• Optical measuring machine</li> <li>• Tool grinder</li> <li>• X-Ray machine</li> </ul>	<ul style="list-style-type: none"> <li>• CT scanner</li> <li>• Medical equipment</li> <li>• Stage setting</li> <li>• Car elevator</li> <li>• Amusement machine</li> <li>• Turntable</li> <li>• Tool changer</li> </ul>
8 to 16	17 to 32	<ul style="list-style-type: none"> <li>• Caged ball effect using a cage</li> <li>• Smooth movement with minimal rolling variation</li> <li>• 4-groove construction in a compact body</li> </ul>	<ul style="list-style-type: none"> <li>• Semiconductor manufacturing equipment</li> <li>• Medical equipment</li> <li>• Inspection equipment</li> <li>• Industrial machinery</li> </ul>	
8.5 to 60	18 to 125	<ul style="list-style-type: none"> <li>• Low-Profile high rigidity, space saving structure</li> <li>• Interchangeable with Cross-Roller Guide</li> <li>• Preload can be adjusted</li> <li>• Stainless steel type also available as standard</li> </ul>	<ul style="list-style-type: none"> <li>• XYZ axes of electric discharge machine</li> <li>• Precision table</li> <li>• XZ axes of NC lathe</li> <li>• Assembly robot</li> <li>• Conveyance system</li> </ul>	<ul style="list-style-type: none"> <li>• Machining center</li> <li>• Wire-cut electric discharge machine</li> <li>• Tool changer</li> <li>• Woodworking machine</li> </ul>
20 to 38	32 to 68	<ul style="list-style-type: none"> <li>• LM block and LM rail are both interchangeable</li> <li>• Preload can be adjusted</li> <li>• Capable of absorbing vertical level error and horizontal tolerance for parallelism</li> </ul>		
20 to 30	32 to 50		<ul style="list-style-type: none"> <li>• Industrial robot</li> <li>• Various conveyance systems</li> <li>• Automated warehouse</li> <li>• Palette changer</li> <li>• ATC</li> <li>• Door closing device</li> </ul>	<ul style="list-style-type: none"> <li>• Guide using an aluminum mold base</li> <li>• Welding machine</li> <li>• Coating machine</li> <li>• Car washing machine</li> </ul>
30 to 38	59.91 to 80.18	<ul style="list-style-type: none"> <li>• LM rail-rack integrated design eliminates assembly and adjustment work</li> <li>• LM rail-rack integrated design enables a space-saving structure to be achieved</li> <li>• Capable of supporting long strokes</li> </ul>		

Classification		Type		Specification Table*	Load capacity diagram	Basic load rating (kN)	
						Basic dynamic load rating	Basic static load rating
Miniature types	Caged Ball LM Guides		SRS-S	▶ <b>■1-154</b>		1.09 to 4.5	0.964 to 3.39
			SRS-M			0.439 to 16.5	0.468 to 20.2
			SRS-N			0.515 to 9.71	0.586 to 8.55
			SRS-WS	▶ <b>■1-158</b>		1.38 to 6.64	1.35 to 5.94
			SRS-WM			0.584 to 9.12	0.703 to 8.55
			SRS-WN			0.746 to 12.4	0.996 to 12.1
	Full-Complement Ball LM Guides		RSX-M	▶ <b>■1-256</b>		1.16 to 5.59	1.54 to 6.78
			RSX-WM	▶ <b>■1-258</b>		1.63 to 7.43	2.51 to 10.18
			RSR-M	▶ <b>■1-268</b>		0.18 to 8.82	0.27 to 12.7
			RSR-M1V	▶ <b>■1-380</b>		1.47 to 8.82	2.25 to 12.7
			RSR-N	▶ <b>■1-268</b>		0.3 to 14.2	0.44 to 20.6
			RSR-M1N	▶ <b>■1-380</b>		2.6 to 14.2	3.96 to 20.6
	Full-Complement Ball LM Guide - wide types		RSR-WM/WV	▶ <b>■1-268</b>		0.25 to 6.66	0.47 to 9.8
			RSR-M1WV	▶ <b>■1-382</b>		2.45 to 6.66	3.92 to 9.8
			RSR-WN	▶ <b>■1-268</b>		0.39 to 9.91	0.75 to 14.9
			RSR-M1WN	▶ <b>■1-382</b>		3.52 to 9.91	5.37 to 14.9
	Full Complement Ball LM Guide - orthogonal type		MX	▶ <b>■1-316</b>		0.59 to 2.04	1.1 to 3.21
	Circular arc types	Full-Complement Ball LM Guides		HCR	▶ <b>■1-332</b>		4.7 to 141
Self-aligning types	Full-Complement Ball LM Guides		NSR-TBC	▶ <b>■1-346</b>		9.41 to 90.8	18.6 to 152

\* For specification tables for each model, please see "■ Product Descriptions."

External dimensions (mm)		Features	Major application
Height	Width		
8 to 16	17 to 32	<ul style="list-style-type: none"> <li>• Long service life, long-term maintenance-free operation</li> <li>• Low dust generation, low noise, acceptable running sound</li> <li>• Superbly high speed</li> <li>• Smooth motion in all mounting orientations</li> <li>• Stainless steel type also available as standard</li> <li>• Lightweight and compact</li> </ul>	<ul style="list-style-type: none"> <li>• IC/LSI manufacturing machine</li> <li>• Hard disc drive</li> <li>• Slide unit of OA equipment</li> <li>• Wafer transfer equipment</li> <li>• Printed circuit board assembly table</li> <li>• Medical equipment</li> <li>• Electronic components of electron microscope</li> <li>• Optical stage</li> <li>• Stepper</li> <li>• Plotting machine</li> <li>• Feed mechanism of IC bonding machine</li> <li>• Inspection equipment</li> </ul>
6 to 25	17 to 48		
6 to 16	12 to 32		
9 to 16	25 to 60		
6.5 to 16	17 to 60		
8 to 16	17 to 32	<ul style="list-style-type: none"> <li>• Lightweight and compact</li> <li>• Smooth motion in all mounting orientations</li> <li>• Stainless steel type also available as standard</li> </ul>	<ul style="list-style-type: none"> <li>• IC/LSI manufacturing machine</li> <li>• Hard disc drive</li> <li>• Slide unit of OA equipment</li> <li>• Wafer transfer equipment</li> <li>• Printed circuit board assembly table</li> <li>• Medical equipment</li> <li>• Electronic components of electron microscope</li> <li>• Optical stage</li> <li>• Stepper</li> <li>• Plotting machine</li> <li>• Feed mechanism of IC bonding machine</li> <li>• Inspection equipment</li> </ul>
9 to 16	25 to 60		
4 to 25	8 to 46	<ul style="list-style-type: none"> <li>• Ultra-compact</li> <li>• Stainless steel type also available as standard</li> <li>• Long type with increased load capacity also offered as standard</li> <li>• Type M1, achieving max service temperature of 150°C, also available</li> </ul>	
10 to 25	20 to 46		
4 to 25	8 to 46		
10 to 25	20 to 46		
4.5 to 16	12 to 60	<ul style="list-style-type: none"> <li>• Stainless steel type also available as standard</li> <li>• Long type with increased load capacity also offered as standard</li> <li>• Type M1, achieving max service temperature of 150°C, also available</li> </ul>	
12 to 16	30 to 60		
4.5 to 16	12 to 60		
12 to 16	30 to 60		
10 to 14.5	15.2 to 30.2	<ul style="list-style-type: none"> <li>• A compact XY structure is allowed due to an XY orthogonal, single-piece LM block</li> <li>• Stainless steel type also available as standard</li> </ul>	<ul style="list-style-type: none"> <li>• IC/LSI manufacturing machine</li> <li>• Inspection equipment</li> <li>• Slide unit of OA equipment</li> <li>• Wafer transfer equipment</li> <li>• Feed mechanism of IC bonding machine</li> <li>• Printed circuit board assembly table</li> <li>• Medical equipment</li> <li>• Electronic components of electron microscope</li> <li>• Optical stage</li> </ul>
18 to 90	39 to 170	<ul style="list-style-type: none"> <li>• Circular motion guide in a 4-way equal load design</li> <li>• Highly accurate circular motion without play</li> <li>• Allows an efficient design with the LM block placed in the loading point</li> <li>• Large circular motion easily achieved</li> </ul>	<ul style="list-style-type: none"> <li>• Large swivel base</li> <li>• Pendulum vehicle for railroad</li> <li>• Pantagraph</li> <li>• Control unit</li> <li>• Optical measuring machine</li> <li>• Tool grinder</li> <li>• X-Ray machine</li> <li>• CT scanner</li> <li>• Medical equipment</li> <li>• Stage setting</li> <li>• Car elevator</li> <li>• Amusement machine</li> <li>• Turntable</li> <li>• Tool changer</li> </ul>
40 to 105	70 to 175	<ul style="list-style-type: none"> <li>• Can be used in rough mount due to self-aligning on the fit surface of the case</li> <li>• Preload can be adjusted</li> <li>• Can be mounted on a black steel sheet</li> </ul>	<ul style="list-style-type: none"> <li>• XY axes of ordinary industrial machinery</li> <li>• Various conveyance systems</li> <li>• Automated warehouse</li> <li>• Palette changer</li> <li>• Automatic coating machine</li> <li>• Various welding machines</li> </ul>

## Calculating the Applied Load

The LM Guide is capable of receiving loads and moments in all directions that are generated due to the mounting orientation, alignment, gravity center position of a traveling object, thrust position and cutting resistance.

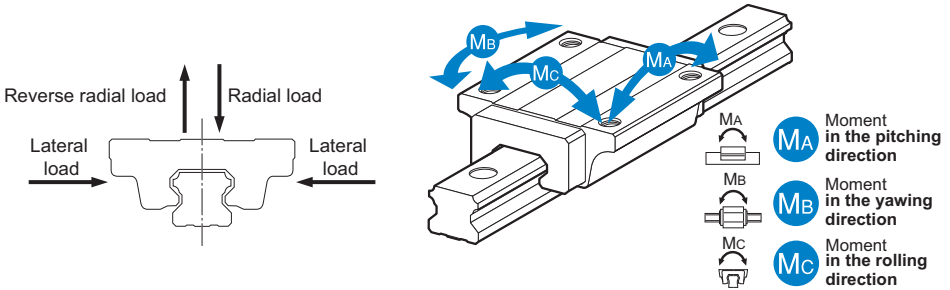


Fig.1 Directions of the Loads Applied on the LM Guide

## Calculating an Applied Load

### [Single-Axis Use]

#### ● Moment Equivalence

When the installation space for the LM Guide is limited, you may have to use only one LM block, or double LM blocks closely contacting with each other. In such a setting, the load distribution is not uniform and, as a result, an excessive load is applied in localized areas (i.e., both ends) as shown in Fig.2. Continued use under such conditions may result in flaking in those areas, consequently shortening the service life. In such a case, calculate the actual load by multiplying the moment value by any one of the equivalent-moment factors specified in Table1 to Table6 **A1-43**.

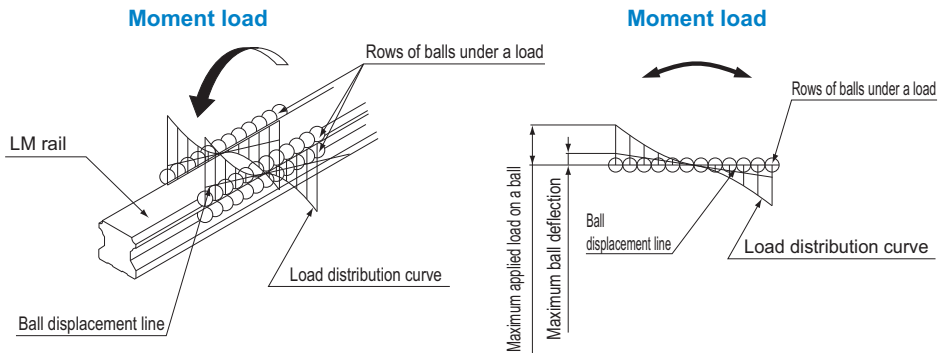


Fig.2 Ball Load when a Moment is Applied

An equivalent-load equation applicable when a moment acts on an LM Guide is shown below.

$$P = K \cdot M$$

P : Equivalent load per LM Guide (N)

K : Equivalent moment factor

M : Applied moment (N·mm)

### ● Equivalent Factor

Since the rated load is equivalent to the permissible moment, the equivalent factor to be multiplied when equalizing the  $M_A$ ,  $M_B$  and  $M_C$  moments to the applied load per block is obtained by dividing the rated loads in the corresponding directions.

With those models other than 4-way equal load types, however, the load ratings in the 4 directions differ from each other. Therefore, the equivalent factor values for the  $M_A$  and  $M_C$  moments also differ depending on whether the direction is radial or reverse radial.

### ■ Equivalent Factors for the $M_A$ Moment

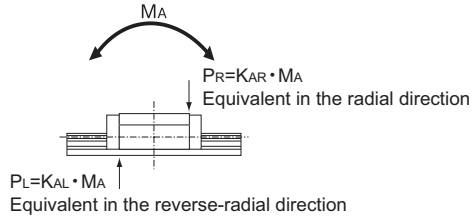


Fig.3 Equivalent Factors for the  $M_A$  Moment

Equivalent factors for the  $M_A$  Moment

<div style="border-left: 1px solid black; border-right: 1px solid black; height: 20px; margin: 0 auto; width: 10px;"></div>	Equivalent factor in the radial direction	$K_{AR} = \frac{C_0}{M_A}$
	Equivalent factor in the reverse radial direction	$K_{AL} = \frac{C_{0L}}{M_A}$

$$\frac{C_0}{K_{AR} \cdot M_A} = \frac{C_{0L}}{K_{AL} \cdot M_A} = 1$$

### ■ Equivalent Factors for the $M_B$ Moment

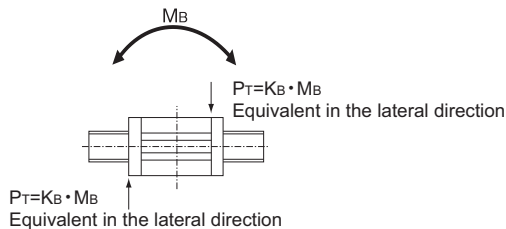


Fig.4 Equivalent Factors for the  $M_B$  Moment

Equivalent factors for the  $M_B$  Moment

<div style="border-left: 1px solid black; border-right: 1px solid black; height: 20px; margin: 0 auto; width: 10px;"></div>	Equivalent factor in the lateral directions	$K_B = \frac{C_{0T}}{M_B}$
---	---	----------------------------

$$\frac{C_{0T}}{K_B \cdot M_B} = 1$$

## ■ Equivalent Factors for the $M_c$ Moment

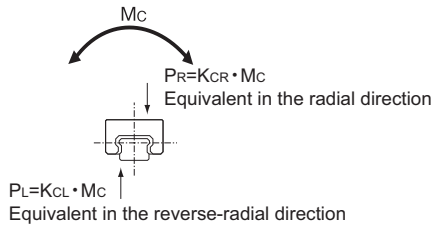


Fig.5 Equivalent Factors for the  $M_c$  Moment

Equivalent factors for the  $M_c$  Moment

Equivalent factor in the radial direction	$K_{CR} = \frac{C_0}{M_c}$
Equivalent factor in the reverse radial direction	$K_{CL} = \frac{C_{0L}}{M_c}$

$$\frac{C_0}{K_{CR} \cdot M_c} = \frac{C_{0L}}{K_{CL} \cdot M_c} = 1$$

$C_0$	: Basic static load rating (radial direction)	(N)
$C_{0L}$	: Basic static load rating (reverse radial direction)	(N)
$C_{0T}$	: Basic static load rating (lateral direction)	(N)
$P_R$	: Calculated load (radial direction)	(N)
$P_L$	: Calculated load (reverse radial direction)	(N)
$P_T$	: Calculated load (lateral direction)	(N)



## Example of calculation

### When one LM block is used

Model No.: SSR20XV1

Gravitational acceleration  $g=9.8$  (m/s<sup>2</sup>)

Mass  $m=10$  (kg)

$l_1=200$  (mm)

$l_2=100$  (mm)

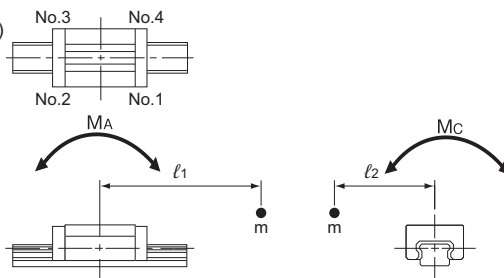


Fig.6 When One LM Block is Used

$$\text{No.1 } P_1 = mg + K_{AR1} \cdot mg \cdot l_1 + K_{CR} \cdot mg \cdot l_2 = 98 + 0.275 \times 98 \times 200 + 0.129 \times 98 \times 100 = 6752 \text{ (N)}$$

$$\text{No.2 } P_2 = mg - K_{AL1} \cdot mg \cdot l_1 + K_{CR} \cdot mg \cdot l_2 = 98 - 0.137 \times 98 \times 200 + 0.129 \times 98 \times 100 = -1323 \text{ (N)}$$

$$\text{No.3 } P_3 = mg - K_{AL1} \cdot mg \cdot l_1 - K_{CL} \cdot mg \cdot l_2 = 98 - 0.137 \times 98 \times 200 - 0.0644 \times 98 \times 100 = -3218 \text{ (N)}$$

$$\text{No.4 } P_4 = mg + K_{AR1} \cdot mg \cdot l_1 - K_{CL} \cdot mg \cdot l_2 = 98 + 0.275 \times 98 \times 200 - 0.0644 \times 98 \times 100 = 4857 \text{ (N)}$$

### When two LM blocks are used in close contact with each other

Model No.: SVS25R2

Gravitational acceleration  $g=9.8$  (m/s<sup>2</sup>)

Mass  $m=5$  (kg)

$l_1=200$  (mm)

$l_2=150$  (mm)

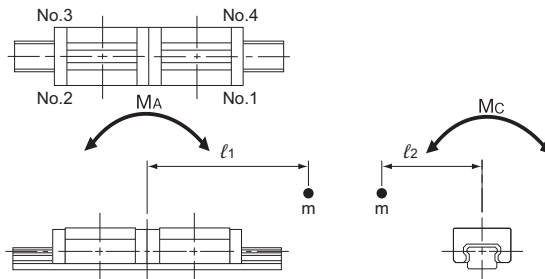


Fig.7 When Two LM Blocks are Used in Close Contact with Each Other

$$\text{No.1 } P_1 = \frac{mg}{2} + K_{AR2} \cdot mg \cdot l_1 + K_{CR} \cdot \frac{mg \cdot l_2}{2} = \frac{49}{2} + 0.0217 \times 49 \times 200 + 0.0995 \times \frac{49 \times 150}{2} = 602.9 \text{ (N)}$$

$$\text{No.2 } P_2 = \frac{mg}{2} - K_{AL2} \cdot mg \cdot l_1 + K_{CR} \cdot \frac{mg \cdot l_2}{2} = \frac{49}{2} - 0.0182 \times 49 \times 200 + 0.0995 \times \frac{49 \times 150}{2} = 211.9 \text{ (N)}$$

$$\text{No.3 } P_3 = \frac{mg}{2} - K_{AL2} \cdot mg \cdot l_1 - K_{CL} \cdot \frac{mg \cdot l_2}{2} = \frac{49}{2} - 0.0182 \times 49 \times 200 - 0.0835 \times \frac{49 \times 150}{2} = -460.7 \text{ (N)}$$

$$\text{No.4 } P_4 = \frac{mg}{2} + K_{AR2} \cdot mg \cdot l_1 - K_{CL} \cdot \frac{mg \cdot l_2}{2} = \frac{49}{2} + 0.0217 \times 49 \times 200 - 0.0835 \times \frac{49 \times 150}{2} = -69.7 \text{ (N)}$$

Note1) Since an LM Guide used in vertical installation receives only a moment load, there is no need to apply a load force (mg).

### [Double-axis Use]

#### ● Setting Conditions

Set the conditions needed to calculate the LM system's applied load and service life in hours.

The conditions consist of the following items.

- (1) Mass:  $m$  (kg)
- (2) Direction of the working load
- (3) Position of the working point (e.g., center of gravity):  $l_2, l_3, h_1$ (mm)
- (4) Thrust position:  $l_4, h_2$ (mm)
- (5) LM system arrangement:  $l_0, l_1$ (mm)  
(No. of units and axes)
- (6) Velocity diagram  
Speed:  $V$  (mm/s)  
Time constant:  $t_n$  (s)  
Acceleration:  $\alpha_n$ (mm/s<sup>2</sup>)

$$\left( \alpha_n = \frac{V}{t_n} \right)$$

- (7) Duty cycle  
Number of reciprocations per minute:  $N_i$ (min<sup>-1</sup>)
- (8) Stroke length:  $l_s$ (mm)
- (9) Average speed:  $V_m$ (m/s)
- (10) Required service life in hours:  $L_h$ (h)

Gravitational acceleration  $g=9.8$  (m/s<sup>2</sup>)

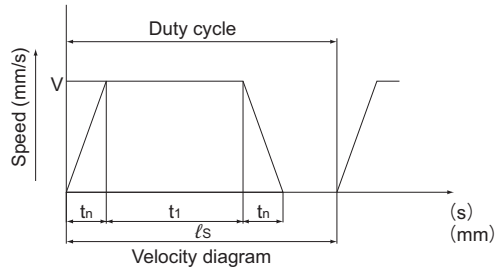
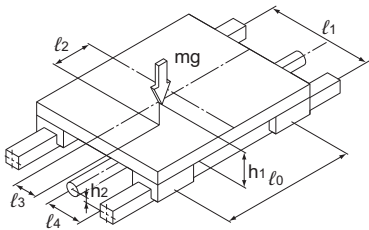


Fig.8 Condition

### ● Applied Load Equation

The load applied to the LM Guide varies with the external force, such as the position of the gravity center of an object, thrust position, inertia generated from acceleration/deceleration during start or stop, and cutting force.

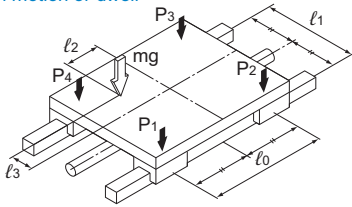
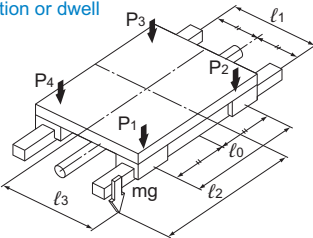
In selecting an LM Guide, it is necessary to obtain the value of the applied load while taking into account these conditions.

Calculate the load applied to the LM Guide in each of the examples 1 to 10 shown below.

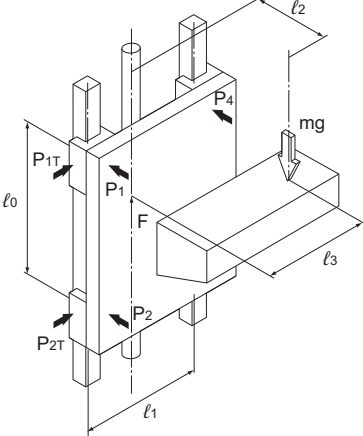
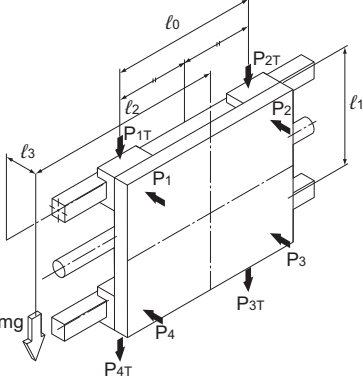
$m$	: Mass	(kg)
$l_n$	: Distance	(mm)
$F_n$	: External force	(N)
$P_n$	: Applied load (radial/reverse radial direction)	(N)
$P_{nT}$	: Applied load (lateral directions)	(N)
$g$	: Gravitational acceleration	(m/s <sup>2</sup> )
	( $g = 9.8\text{m/s}^2$ )	
$V$	: Speed	(m/s)
$t_n$	: Time constant	(s)
$\alpha_n$	: Acceleration	(m/s <sup>2</sup> )

$$(\alpha_n = \frac{V}{t_n})$$

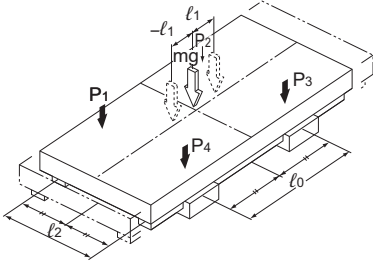
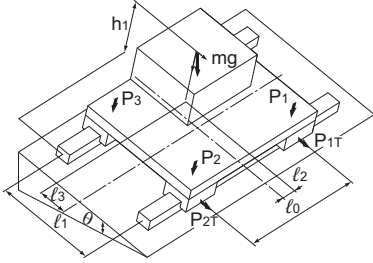
### [Example]

	Condition	Applied Load Equation
1	Horizontal mount (with the block traveling) Uniform motion or dwell 	$P_1 = \frac{mg}{4} + \frac{mg \cdot l_2}{2 \cdot l_0} - \frac{mg \cdot l_3}{2 \cdot l_1}$ $P_2 = \frac{mg}{4} - \frac{mg \cdot l_2}{2 \cdot l_0} - \frac{mg \cdot l_3}{2 \cdot l_1}$ $P_3 = \frac{mg}{4} - \frac{mg \cdot l_2}{2 \cdot l_0} + \frac{mg \cdot l_3}{2 \cdot l_1}$ $P_4 = \frac{mg}{4} + \frac{mg \cdot l_2}{2 \cdot l_0} + \frac{mg \cdot l_3}{2 \cdot l_1}$
2	Horizontal mount, overhung (with the block traveling) Uniform motion or dwell 	$P_1 = \frac{mg}{4} + \frac{mg \cdot l_2}{2 \cdot l_0} + \frac{mg \cdot l_3}{2 \cdot l_1}$ $P_2 = \frac{mg}{4} - \frac{mg \cdot l_2}{2 \cdot l_0} + \frac{mg \cdot l_3}{2 \cdot l_1}$ $P_3 = \frac{mg}{4} - \frac{mg \cdot l_2}{2 \cdot l_0} - \frac{mg \cdot l_3}{2 \cdot l_1}$ $P_4 = \frac{mg}{4} + \frac{mg \cdot l_2}{2 \cdot l_0} - \frac{mg \cdot l_3}{2 \cdot l_1}$

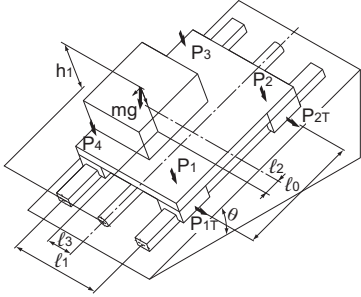
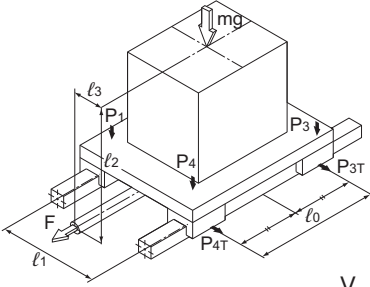
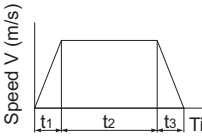
Note) Load is positive in the direction of the arrow.

	Condition	Applied Load Equation
3	<p><b>Vertical mount</b> <b>Uniform motion or dwell</b></p>  <p>E.g.: Vertical axis of industrial robot, automatic coating machine, lifter</p>	$P_1 = P_4 = - \frac{mg \cdot l_2}{2 \cdot l_0}$ $P_2 = P_3 = \frac{mg \cdot l_2}{2 \cdot l_0}$ $P_{1T} = P_{4T} = \frac{mg \cdot l_3}{2 \cdot l_0}$ $P_{2T} = P_{3T} = - \frac{mg \cdot l_3}{2 \cdot l_0}$
4	<p><b>Wall mount</b> <b>Uniform motion or dwell</b></p>  <p>E.g.: Travel axis of cross-rail loader</p>	$P_1 = P_2 = - \frac{mg \cdot l_3}{2 \cdot l_1}$ $P_3 = P_4 = \frac{mg \cdot l_3}{2 \cdot l_1}$ $P_{1T} = P_{4T} = \frac{mg}{4} + \frac{mg \cdot l_2}{2 \cdot l_0}$ $P_{2T} = P_{3T} = \frac{mg}{4} - \frac{mg \cdot l_2}{2 \cdot l_0}$

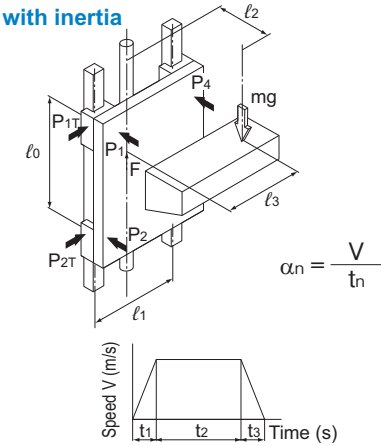
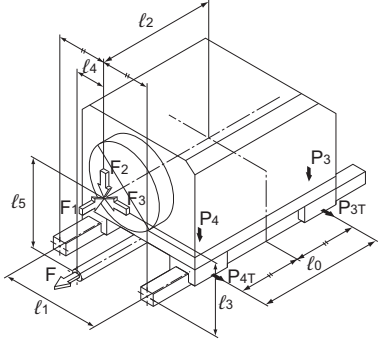
Note) Load is positive in the direction of the arrow.

	Condition	Applied Load Equation
5	<p><b>With the LM rails movable</b> <b>Horizontal mount</b></p>  <p>E.g.: XY table sliding fork</p>	$P_1 \text{ to } P_4 (\text{max}) = \frac{mg}{4} + \frac{mg \cdot l_1}{2 \cdot l_0}$ $P_1 \text{ to } P_4 (\text{min}) = \frac{mg}{4} - \frac{mg \cdot l_1}{2 \cdot l_0}$
6	<p><b>Laterally tilt mount</b></p>  <p>E.g.: NC lathe Carriage</p>	$P_1 = + \frac{mg \cdot \cos \theta}{4} + \frac{mg \cdot \cos \theta \cdot l_2}{2 \cdot l_0}$ $- \frac{mg \cdot \cos \theta \cdot l_3}{2 \cdot l_1} + \frac{mg \cdot \sin \theta \cdot h_1}{2 \cdot l_1}$ $P_{1T} = \frac{mg \cdot \sin \theta}{4} + \frac{mg \cdot \sin \theta \cdot l_2}{2 \cdot l_0}$ $P_2 = + \frac{mg \cdot \cos \theta}{4} - \frac{mg \cdot \cos \theta \cdot l_2}{2 \cdot l_0}$ $- \frac{mg \cdot \cos \theta \cdot l_3}{2 \cdot l_1} + \frac{mg \cdot \sin \theta \cdot h_1}{2 \cdot l_1}$ $P_{2T} = \frac{mg \cdot \sin \theta}{4} - \frac{mg \cdot \sin \theta \cdot l_2}{2 \cdot l_0}$ $P_3 = + \frac{mg \cdot \cos \theta}{4} - \frac{mg \cdot \cos \theta \cdot l_2}{2 \cdot l_0}$ $+ \frac{mg \cdot \cos \theta \cdot l_3}{2 \cdot l_1} - \frac{mg \cdot \sin \theta \cdot h_1}{2 \cdot l_1}$ $P_{3T} = \frac{mg \cdot \sin \theta}{4} - \frac{mg \cdot \sin \theta \cdot l_2}{2 \cdot l_0}$ $P_4 = + \frac{mg \cdot \cos \theta}{4} + \frac{mg \cdot \cos \theta \cdot l_2}{2 \cdot l_0}$ $+ \frac{mg \cdot \cos \theta \cdot l_3}{2 \cdot l_1} - \frac{mg \cdot \sin \theta \cdot h_1}{2 \cdot l_1}$ $P_{4T} = \frac{mg \cdot \sin \theta}{4} + \frac{mg \cdot \sin \theta \cdot l_2}{2 \cdot l_0}$

Note) Load is positive in the direction of the arrow.

	Condition	Applied Load Equation
7	<p><b>Longitudinally tilt mount</b></p>  <p>E.g.: NC lathe Tool rest</p>	$P_1 = + \frac{mg \cdot \cos\theta}{4} + \frac{mg \cdot \cos\theta \cdot \ell_2}{2 \cdot \ell_0}$ $- \frac{mg \cdot \cos\theta \cdot \ell_3}{2 \cdot \ell_1} + \frac{mg \cdot \sin\theta \cdot h_1}{2 \cdot \ell_0}$ $P_{1T} = + \frac{mg \cdot \sin\theta \cdot \ell_3}{2 \cdot \ell_0}$ $P_2 = + \frac{mg \cdot \cos\theta}{4} - \frac{mg \cdot \cos\theta \cdot \ell_2}{2 \cdot \ell_0}$ $- \frac{mg \cdot \cos\theta \cdot \ell_3}{2 \cdot \ell_1} - \frac{mg \cdot \sin\theta \cdot h_1}{2 \cdot \ell_0}$ $P_{2T} = - \frac{mg \cdot \sin\theta \cdot \ell_3}{2 \cdot \ell_0}$ $P_3 = + \frac{mg \cdot \cos\theta}{4} - \frac{mg \cdot \cos\theta \cdot \ell_2}{2 \cdot \ell_0}$ $+ \frac{mg \cdot \cos\theta \cdot \ell_3}{2 \cdot \ell_1} - \frac{mg \cdot \sin\theta \cdot h_1}{2 \cdot \ell_0}$ $P_{3T} = - \frac{mg \cdot \sin\theta \cdot \ell_3}{2 \cdot \ell_0}$ $P_4 = + \frac{mg \cdot \cos\theta}{4} + \frac{mg \cdot \cos\theta \cdot \ell_2}{2 \cdot \ell_0}$ $+ \frac{mg \cdot \cos\theta \cdot \ell_3}{2 \cdot \ell_1} + \frac{mg \cdot \sin\theta \cdot h_1}{2 \cdot \ell_0}$ $P_{4T} = + \frac{mg \cdot \sin\theta \cdot \ell_3}{2 \cdot \ell_0}$
8	<p><b>Horizontal mount with inertia</b></p>  <p>E.g.: Conveyance truck</p> <p>Speed V (m/s)</p>  <p>Time (s)</p> $\alpha_n = \frac{V}{t_n}$	<p>During acceleration</p> $P_1 = P_4 = \frac{mg}{4} - \frac{m \cdot \alpha_1 \cdot \ell_2}{2 \cdot \ell_0}$ $P_2 = P_3 = \frac{mg}{4} + \frac{m \cdot \alpha_1 \cdot \ell_2}{2 \cdot \ell_0}$ $P_{1T} = P_{4T} = \frac{m \cdot \alpha_1 \cdot \ell_3}{2 \cdot \ell_0}$ $P_{2T} = P_{3T} = - \frac{m \cdot \alpha_1 \cdot \ell_3}{2 \cdot \ell_0}$ <p>During uniform motion</p> $P_1 \text{ to } P_4 = \frac{mg}{4}$ <p>During deceleration</p> $P_1 = P_4 = \frac{mg}{4} + \frac{m \cdot \alpha_3 \cdot \ell_2}{2 \cdot \ell_0}$ $P_2 = P_3 = \frac{mg}{4} - \frac{m \cdot \alpha_3 \cdot \ell_2}{2 \cdot \ell_0}$ $P_{1T} = P_{4T} = - \frac{m \cdot \alpha_3 \cdot \ell_3}{2 \cdot \ell_0}$ $P_{2T} = P_{3T} = \frac{m \cdot \alpha_3 \cdot \ell_3}{2 \cdot \ell_0}$

Note) Load is positive in the direction of the arrow.

	Condition	Applied Load Equation
9	<p><b>Vertical mount with inertia</b></p>  <p style="text-align: center;"><math>\alpha_n = \frac{V}{t_n}</math></p> <p style="text-align: center;">Velocity diagram E.g.: Conveyance lift</p>	<p>During acceleration</p> $P_1 = P_4 = - \frac{m(g + \alpha_1) l_2}{2 \cdot l_0}$ $P_2 = P_3 = \frac{m(g + \alpha_1) l_2}{2 \cdot l_0}$ $P_{1T} = P_{4T} = \frac{m(g + \alpha_1) l_3}{2 \cdot l_0}$ $P_{2T} = P_{3T} = - \frac{m(g + \alpha_1) l_3}{2 \cdot l_0}$ <p>During uniform motion</p> $P_1 = P_4 = - \frac{mg \cdot l_2}{2 \cdot l_0}$ $P_2 = P_3 = \frac{mg \cdot l_2}{2 \cdot l_0}$ $P_{1T} = P_{4T} = \frac{mg \cdot l_3}{2 \cdot l_0}$ $P_{2T} = P_{3T} = - \frac{mg \cdot l_3}{2 \cdot l_0}$ <p>During deceleration</p> $P_1 = P_4 = - \frac{m(g - \alpha_3) l_2}{2 \cdot l_0}$ $P_2 = P_3 = \frac{m(g - \alpha_3) l_2}{2 \cdot l_0}$ $P_{1T} = P_{4T} = \frac{m(g - \alpha_3) l_3}{2 \cdot l_0}$ $P_{2T} = P_{3T} = - \frac{m(g - \alpha_3) l_3}{2 \cdot l_0}$
10	<p><b>Horizontal mount with external force</b></p>  <p style="text-align: center;">E.g.: Drill unit, Milling machine, Lathe, Machining center and other cutting machine</p>	<p>Under force <math>F_1</math></p> $P_1 = P_4 = - \frac{F_1 \cdot l_5}{2 \cdot l_0}$ $P_2 = P_3 = \frac{F_1 \cdot l_5}{2 \cdot l_0}$ $P_{1T} = P_{4T} = \frac{F_1 \cdot l_4}{2 \cdot l_0}$ $P_{2T} = P_{3T} = - \frac{F_1 \cdot l_4}{2 \cdot l_0}$ <p>Under force <math>F_2</math></p> $P_1 = P_4 = \frac{F_2}{4} + \frac{F_2 \cdot l_2}{2 \cdot l_0}$ $P_2 = P_3 = \frac{F_2}{4} - \frac{F_2 \cdot l_2}{2 \cdot l_0}$ <p>Under force <math>F_3</math></p> $P_1 = P_2 = \frac{F_3 \cdot l_3}{2 \cdot l_1}$ $P_3 = P_4 = - \frac{F_3 \cdot l_3}{2 \cdot l_1}$ $P_{1T} = P_{4T} = - \frac{F_3}{4} - \frac{F_3 \cdot l_2}{2 \cdot l_0}$ $P_{2T} = P_{3T} = - \frac{F_3}{4} + \frac{F_3 \cdot l_2}{2 \cdot l_0}$

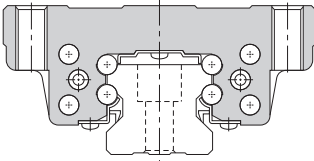
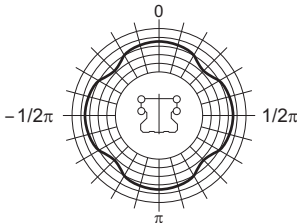
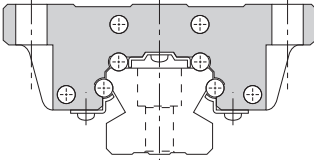
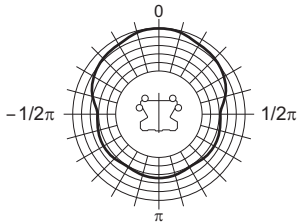
Note) Load is positive in the direction of the arrow.

# Calculating the Equivalent Load

## Rated Load of an LM Guide in Each Direction

The LM Guide is categorized into roughly two types: the 4-way equal load type, which has the same rated load in the radial, reverse radial and lateral directions, and the radial type, which has a large rated load in the radial direction. With the radial type LM Guide, the rated load in the radial direction is different from that in the reverse-radial and lateral directions. The basic load rating in the radial direction is indicated in the specification table. The values in the reverse-radial and lateral directions are obtained from Table7 on **A1-59**.

### [Rated Loads in All Directions]

Type	Load Distribution Curve
<p><b>4-way Equal Load Type</b></p> 	
<p><b>Radial Type</b></p> 	

### [Equivalent Load $P_e$ ]

The LM Guide can bear loads and moments in all directions, including a radial load (PR), reverse radial load (PL) and lateral loads (PT), simultaneously.

When two or more loads (e.g., radial load and lateral load) are simultaneously applied to the LM Guide, the service life and the static safety factor are calculated using equivalent load values obtained by converting all the loads into radial load or reverse-radial load.



**[Equivalent Load Equation]**

When the LM block of the LM Guide receives loads simultaneously in the radial and lateral directions, or the reverse radial and lateral directions, the equivalent load is obtained from the equation below.

$$P_E = X \cdot P_{R(L)} + Y \cdot P_T$$

- $P_E$  : Equivalent load (N)  
 ·Radial direction  
 ·Reverse radial direction  
 $P_L$  : Reverse radial load (N)  
 $P_T$  : Lateral load (N)  
 $X, Y$  : Equivalent factor  
 (see Table8 on **A1-61**)

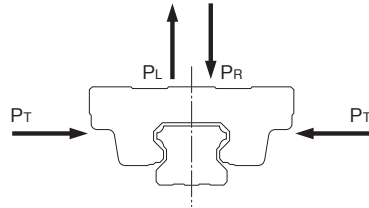


Fig.9 Equivalent of Load of the LM Guide

## Calculating the Static Safety Factor

To calculate a load applied to the LM Guide, the average load required for calculating the service life and the maximum load needed for calculating the static safety factor must be obtained first. In a system subject to frequent starts and stops, placed under cutting forces or under a large moment caused by an overhang load, an excessively large load may apply to the LM Guide. When selecting a model number, make sure that the desired model is capable of receiving the required maximum load (whether stationary or in motion). Table1 shows reference values for the static safety factor.

Table1 Reference Values for the Static Safety Factor ( $f_s$ )

Machine using the LM Guide	Load conditions	Lower limit of $f_s$
General industrial machinery	Without vibration or impact	1.0 to 3.5
	With vibration or impact	2.0 to 5.0
Machine tool	Without vibration or impact	1.0 to 4.0
	With vibration or impact	2.5 to 7.0

When the radial load is large	$\frac{f_H \cdot f_T \cdot f_C \cdot C_0}{P_R} \geq f_s$
When the reverse radial load is large	$\frac{f_H \cdot f_T \cdot f_C \cdot C_{OL}}{P_L} \geq f_s$
When the lateral loads are large	$\frac{f_H \cdot f_T \cdot f_C \cdot C_{OT}}{P_T} \geq f_s$

- $f_s$  : Static safety factor  
 $C_0$  : Basic static load rating (radial direction) (N)  
 $C_{OL}$  : Basic static load rating (reverse-radial direction) (N)  
 $C_{OT}$  : Basic static load rating (lateral direction) (N)  
 $P_R$  : Calculated load (radial direction) (N)  
 $P_L$  : Calculated load (reverse-radial direction) (N)  
 $P_T$  : Calculated load (lateral direction) (N)  
 $f_H$  : Hardness factor (see Fig.10 on **B1-75**)  
 $f_T$  : Temperature factor (see Fig.11 on **B1-75**)  
 $f_C$  : Contact factor (see Table2 on **B1-75**)

## Calculating the Average Load

In cases where the load applied to each LM block fluctuates under different conditions, such as an industrial robot holding a work with its arm as it advances and receding with its arm empty, and a machine tool handling various workpieces, it is necessary to calculate the service life of the LM Block while taking into account such fluctuating loading conditions.

The average load ( $P_m$ ) is the load under which the service life of the LM Guide is equivalent to that under varying loads applied to the LM blocks.

$$P_m = \sqrt[i]{\frac{1}{L} \cdot \sum_{n=1}^n (P_n^i \cdot L_n)}$$

$P_m$  : Average Load (N)

$P_n$  : Varying load (N)

$L$  : Total travel distance (mm)

$L_n$  : Distance traveled under load  $P_n$  (mm)

$i$  : Constant determined by rolling element

Note) The above equation or the equation (1) below applies when the rolling elements are balls.

(1) When the load fluctuates stepwise

LM Guide Using Balls ( $i=3$ )

$$P_m = \sqrt[3]{\frac{1}{L} (P_1^3 \cdot L_1 + P_2^3 \cdot L_2 \cdots + P_n^3 \cdot L_n)} \cdots \cdots (1)$$

$P_m$  : Average load (N)

$P_n$  : Varying load (N)

$L$  : Total travel distance (mm)

$L_n$  : Distance traveled under  $P_n$  (mm)

LM Guide Using Rollers ( $i = \frac{10}{3}$ )

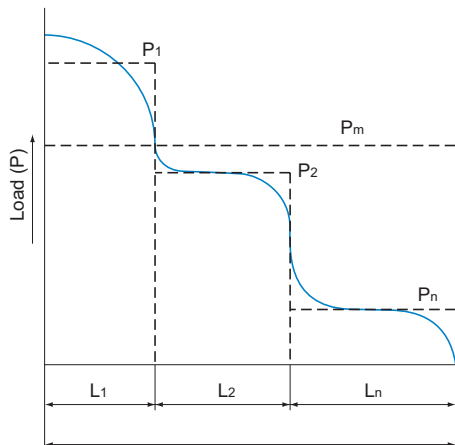
$$P_m = \sqrt[\frac{10}{3}]{\frac{1}{L} (P_1^{\frac{10}{3}} \cdot L_1 + P_2^{\frac{10}{3}} \cdot L_2 \cdots + P_n^{\frac{10}{3}} \cdot L_n)} \cdots \cdots (2)$$

$P_m$  : Average Load (N)

$P_n$  : Varying load (N)

$L$  : Total travel distance (mm)

$L_n$  : Distance traveled under  $P_n$  (mm)



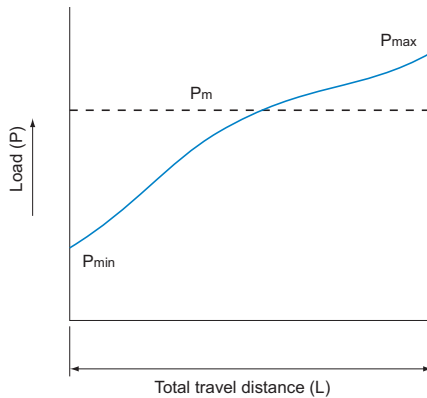
Total travel distance (L)

(2) When the load fluctuates monotonically

$$P_m \doteq \frac{1}{3} (P_{\min} + 2 \cdot P_{\max}) \dots\dots\dots(3)$$

$P_{\min}$  : Minimum load (N)

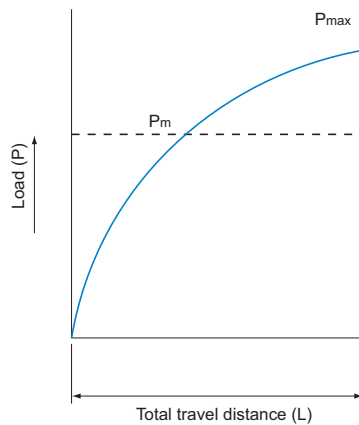
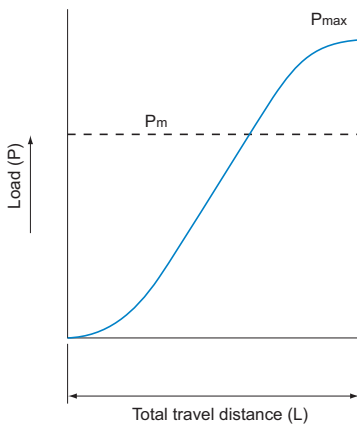
$P_{\max}$  : Maximum load (N)



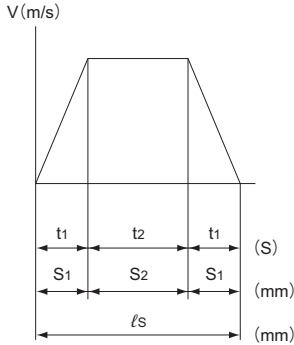
(3) When the load fluctuates sinusoidally

(a)  $P_m \doteq 0.65P_{\max} \dots\dots\dots(4)$

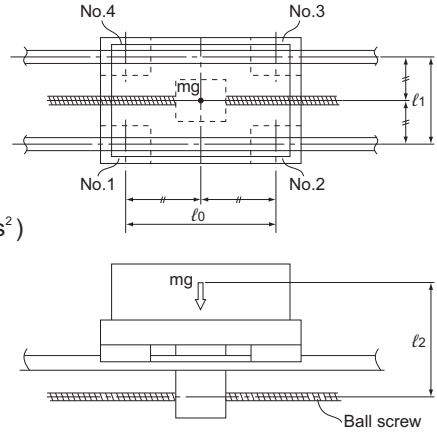
(b)  $P_m \doteq 0.75P_{\max} \dots\dots\dots(5)$



## Example of Calculating the Average Load (1) - with Horizontal Mount and Acceleration/Deceleration Considered -

**[Conditions]**

$$\alpha_1 = \frac{v}{t_1} \quad (\text{m/s}^2)$$

**[Load Applied to the LM Block]****● During uniform motion**

$$P_1 = + \frac{mg}{4}$$

$$P_2 = + \frac{mg}{4}$$

$$P_3 = + \frac{mg}{4}$$

$$P_4 = + \frac{mg}{4}$$

**● During acceleration**

$$Pa_1 = P_1 + \frac{m \cdot \alpha_1 \cdot l_2}{2 \cdot l_0}$$

$$Pa_2 = P_2 - \frac{m \cdot \alpha_1 \cdot l_2}{2 \cdot l_0}$$

$$Pa_3 = P_3 - \frac{m \cdot \alpha_1 \cdot l_2}{2 \cdot l_0}$$

$$Pa_4 = P_4 + \frac{m \cdot \alpha_1 \cdot l_2}{2 \cdot l_0}$$

**● During deceleration**

$$Pd_1 = P_1 - \frac{m \cdot \alpha_1 \cdot l_2}{2 \cdot l_0}$$

$$Pd_2 = P_2 + \frac{m \cdot \alpha_1 \cdot l_2}{2 \cdot l_0}$$

$$Pd_3 = P_3 + \frac{m \cdot \alpha_1 \cdot l_2}{2 \cdot l_0}$$

$$Pd_4 = P_4 - \frac{m \cdot \alpha_1 \cdot l_2}{2 \cdot l_0}$$

**[Average load]**

$$P_{m1} = \sqrt[3]{\frac{1}{l_s} (Pa_1^3 \cdot s_1 + P_1^3 \cdot s_2 + Pd_1^3 \cdot s_3)}$$

$$P_{m2} = \sqrt[3]{\frac{1}{l_s} (Pa_2^3 \cdot s_1 + P_2^3 \cdot s_2 + Pd_2^3 \cdot s_3)}$$

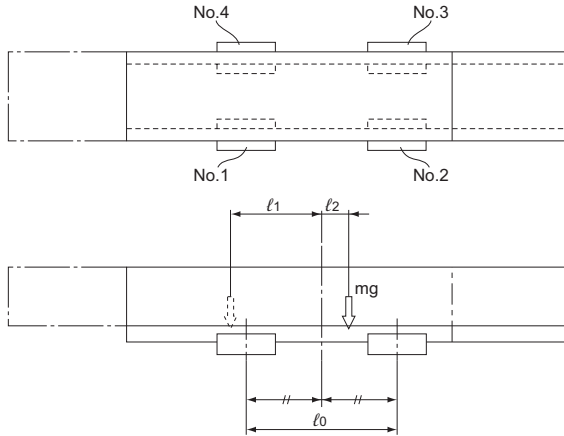
$$P_{m3} = \sqrt[3]{\frac{1}{l_s} (Pa_3^3 \cdot s_1 + P_3^3 \cdot s_2 + Pd_3^3 \cdot s_3)}$$

$$P_{m4} = \sqrt[3]{\frac{1}{l_s} (Pa_4^3 \cdot s_1 + P_4^3 \cdot s_2 + Pd_4^3 \cdot s_3)}$$

(Note)  $Pa_n$  and  $Pd_n$  represent loads applied to each LM block. The suffix "n" indicates the block number in the diagram above.

## Example of Calculating the Average Load (2) - When the Rails are Movable

[Conditions]



[Load Applied to the LM Block]

●At the left of the arm

$$P_{l1} = + \frac{mg}{4} + \frac{mg \cdot l_1}{2 \cdot l_0}$$

$$P_{l2} = + \frac{mg}{4} - \frac{mg \cdot l_1}{2 \cdot l_0}$$

$$P_{l3} = + \frac{mg}{4} - \frac{mg \cdot l_1}{2 \cdot l_0}$$

$$P_{l4} = + \frac{mg}{4} + \frac{mg \cdot l_1}{2 \cdot l_0}$$

●At the right of the arm

$$P_{r1} = + \frac{mg}{4} - \frac{mg \cdot l_2}{2 \cdot l_0}$$

$$P_{r2} = + \frac{mg}{4} + \frac{mg \cdot l_2}{2 \cdot l_0}$$

$$P_{r3} = + \frac{mg}{4} + \frac{mg \cdot l_2}{2 \cdot l_0}$$

$$P_{r4} = + \frac{mg}{4} - \frac{mg \cdot l_2}{2 \cdot l_0}$$

[Average load]

$$P_{m1} = \frac{1}{3} (2 \cdot |P_{l1}| + |P_{r1}|)$$

$$P_{m2} = \frac{1}{3} (2 \cdot |P_{l2}| + |P_{r2}|)$$

$$P_{m3} = \frac{1}{3} (2 \cdot |P_{l3}| + |P_{r3}|)$$

$$P_{m4} = \frac{1}{3} (2 \cdot |P_{l4}| + |P_{r4}|)$$

Note)  $P_{ln}$  and  $P_{rn}$  represent loads applied to each LM block. The suffix "n" indicates the block number in the diagram above.

## Calculating the Nominal Life

The service life of an LM Guide is subject to variations even under the same operational conditions. Therefore, it is necessary to use the nominal life defined below as a reference value for obtaining the service life of the LM Guide. The nominal life means the total travel distance that 90% of a group of units of the same LM Guide model can achieve without flaking (scale-like pieces on the metal surface) after individually running under the same conditions.

### Calculating the Nominal Life

The nominal life ( $L_{10}$ ) of an LM Guide is obtained from the following formula using the basic dynamic load rating ( $C$ ), which is based on a reference distance of 50 km for an LM Guide with balls and 100 km for an LM Guide with rollers, and the calculated load acting on the LM Guide ( $P_c$ ).

- LM Guide with balls (Using a basic dynamic load rating based on a nominal life of 50 km)

$$L_{10} = \left( \frac{C}{P_c} \right)^3 \times 50 \dots\dots\dots (1)$$

$L_{10}$	: Nominal life	(km)
$C$	: Basic dynamic load rating	(N)
$P_c$	: Calculated load	(N)

- LM Guide with rollers (Using a basic dynamic load rating based on a nominal life of 100 km)

$$L_{10} = \left( \frac{C}{P_c} \right)^{\frac{10}{3}} \times 100 \dots\dots\dots (2)$$

\* These nominal life formulas may not apply if the length of the stroke is less than or equal to twice the length of the LM block.

When comparing the nominal life ( $L_{10}$ ), you must take into account whether the basic dynamic load rating was defined based on 50 km or 100 km. Convert the basic dynamic load rating based on ISO 14728-1 as necessary.

ISO-regulated basic dynamic load rating conversion formulas:

- LM Guide with balls

$$C_{100} = \frac{C_{50}}{1.26}$$

$C_{50}$  : Basic dynamic load rating based on a nominal life of 50 km

$C_{100}$  : Basic dynamic load rating based on a nominal life of 100 km

- LM Guide with rollers

$$C_{100} = \frac{C_{50}}{1.23}$$

## Calculating the Modified Nominal Life

During use, an LM Guide may be subjected to vibrations and shocks as well as fluctuating loads, which are difficult to detect. In addition, the surface hardness of the raceways, the operating temperature, and having LM blocks arranged directly behind one another will have a decisive impact on the service life. Taking these factors into account, the modified nominal life ( $L_{10m}$ ) can be calculated according to the following formulas (3) and (4).

- Modified factor  $\alpha$

$$\alpha = \frac{f_H \cdot f_T \cdot f_C}{f_W}$$

$\alpha$	: Modified factor	
$f_H$	: Hardness factor	(see Fig.10 on <b>B1-75</b> )
$f_T$	: Temperature factor	(see Fig.11 on <b>B1-75</b> )
$f_C$	: Contact factor	(see Table2 on <b>B1-75</b> )
$f_W$	: Load factor	(see Table3 on <b>B1-76</b> )

- Modified nominal life  $L_{10m}$

- LM Guide with balls

$$L_{10m} = \left( \alpha \times \frac{C}{P_C} \right)^3 \times 50 \dots\dots\dots(3)$$

$L_{10m}$	: Modified nominal life	(km)
$C$	: Basic dynamic load rating	(N)
$P_C$	: Calculated load	(N)

- LM Guide with rollers

$$L_{10m} = \left( \alpha \times \frac{C}{P_C} \right)^{\frac{10}{3}} \times 100 \dots\dots\dots(4)$$

Once the nominal life ( $L_{10}$ ) has been obtained, the service life time can be obtained using the following equation if the stroke length and the number reciprocations are constant.

$$L_h = \frac{L_{10} \times 10^6}{2 \times l_s \times n_1 \times 60}$$

$L_h$	: Service life time	(h)
$l_s$	: Stroke length	(mm)
$n_1$	: Number of reciprocations per minute	( $\text{min}^{-1}$ )

## Nominal Life Equation for the Oil-Free LM Guide

$$L_{10m} = \left( \frac{F_0}{\alpha \cdot P_C} \right)^{1.57} \times 50$$

$L_{10m}$	: Nominal life	(km)
$F_0$	: Permissible load	(N)
$P_C$	: Calculated load	(N)
$\alpha$	: Modified factor	

Note) The life here means the service life of the S film based on wear.

Since the service life of the S film may vary according to the environment or the operating conditions, customers are encouraged to evaluate and validate the life under the service environment and operating conditions at their facilities.

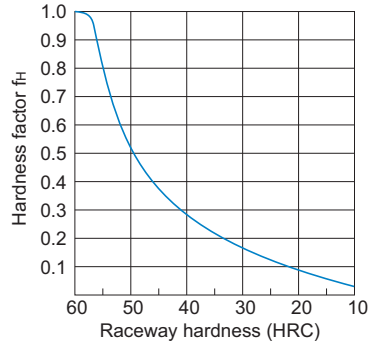


**[f<sub>H</sub>: Hardness Factor]**

To ensure the achievement of the optimum load capacity of the LM Guide, the raceway hardness must be between 58 and 64 HRC.

If the hardness is lower than this range, the basic dynamic load rating and the basic static load rating decrease. Therefore, it is necessary to multiply each rating by the respective hardness factor ( $f_H$ ).

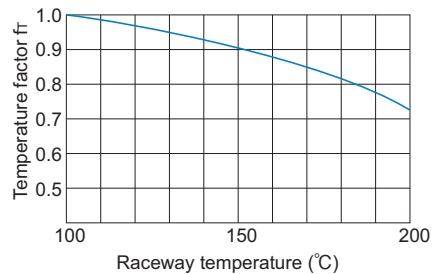
Since the LM Guide has sufficient hardness, the  $f_H$  value for the LM Guide is normally 1.0 unless otherwise specified.

Fig.10 Hardness Factor ( $f_H$ )**[f<sub>T</sub>: Temperature Factor]**

If the temperature of the environment surrounding the operating LM Guide exceeds 100°C, take into account the adverse effect of the high temperature and multiply the basic load ratings by the temperature factor indicated in Fig.11.

In addition, the selected LM Guide must also be of a high temperature type.

Note) LM guides not designed to withstand high temperatures should be used at 80°C or less. Please contact THK if application requirements exceed 80°C.

Fig.11 Temperature Factor ( $f_T$ )**[f<sub>c</sub>: Contact Factor]**

When multiple LM blocks are used in close contact with each other, it is difficult to achieve uniform load distribution due to moment loads and mounting-surface accuracy. When using multiple blocks in close contact with each other, multiply the basic load rating ( $C$  or  $C_0$ ) by the corresponding contact factor indicated in Table2.

Note) If uneven load distribution is expected in a large machine, take into account the respective contact factor indicated in Table2.

Table2 Contact Factor ( $f_c$ )

Number of blocks used in close contact	Contact factor $f_c$
2	0.81
3	0.72
4	0.66
5	0.61
6 or greater	0.6
Normal use	1

**[f<sub>w</sub>: Load Factor]**

In general, reciprocating machines tend to involve vibrations or impact during operation. It is extremely difficult to accurately determine vibrations generated during high-speed operation and impact during frequent start and stop. Therefore, where the effects of speed and vibration are estimated to be significant, divide the basic dynamic load rating (C) by a load factor selected from Table3, which contains empirically obtained data.

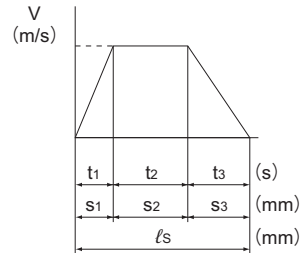
Table3 Load Factor (f<sub>w</sub>)

Vibrations/ impact	Speed (V)	f <sub>w</sub>
Faint	Very low $V \leq 0.25\text{m/s}$	1 to 1.2
Weak	Slow $0.25 < V \leq 1\text{m/s}$	1.2 to 1.5
Medium	Medium $1 < V \leq 2\text{m/s}$	1.5 to 2
Strong	High $V > 2\text{m/s}$	2 to 3.5

## Example of Calculating the Nominal Life (1) - with Horizontal Mount and High-speed Acceleration

[Conditions]

Model No.	: HSR35LA2SS+2500LP-II	
	(basic dynamic load rating: $C = 65.0$ kN)	
	(basic static load rating: $C_0 = 91.7$ kN)	
Mass	: $m_1 = 800$ kg	Distance: $l_0 = 600$ mm
	$m_2 = 500$ kg	$l_1 = 400$ mm
Speed	: $V = 0.5$ m/s	$l_2 = 120$ mm
Time	: $t_1 = 0.05$ s	$l_3 = 50$ mm
	$t_2 = 2.8$ s	$l_4 = 200$ mm
	$t_3 = 0.15$ s	$l_5 = 350$ mm
Acceleration	: $\alpha_1 = 10$ m/s <sup>2</sup>	
	$\alpha_3 = 3.333$ m/s <sup>2</sup>	
Stroke	: $l_s = 1450$ mm	



Gravitational acceleration  $g = 9.8$  (m/s<sup>2</sup>)

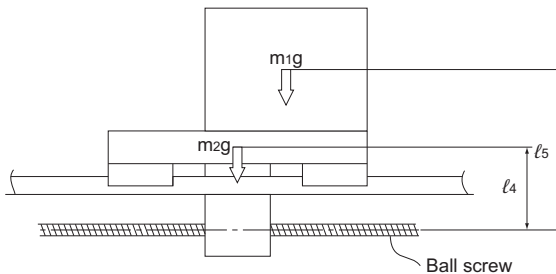
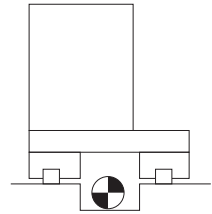
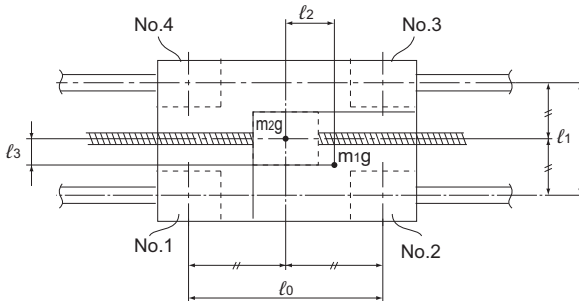


Fig.12 Condition

### [Load Applied to the LM Block]

Calculate the load applied to each LM block.

#### ● During uniform motion

##### ■ Applied load in the radial direction $P_n$

$$P_1 = + \frac{m_1 \cdot g}{4} - \frac{m_1 \cdot g \cdot \ell_2}{2 \cdot \ell_0} + \frac{m_1 \cdot g \cdot \ell_3}{2 \cdot \ell_1} + \frac{m_2 \cdot g}{4} = +2891 \text{ N}$$

$$P_2 = + \frac{m_1 \cdot g}{4} + \frac{m_1 \cdot g \cdot \ell_2}{2 \cdot \ell_0} + \frac{m_1 \cdot g \cdot \ell_3}{2 \cdot \ell_1} + \frac{m_2 \cdot g}{4} = +4459 \text{ N}$$

$$P_3 = + \frac{m_1 \cdot g}{4} + \frac{m_1 \cdot g \cdot \ell_2}{2 \cdot \ell_0} - \frac{m_1 \cdot g \cdot \ell_3}{2 \cdot \ell_1} + \frac{m_2 \cdot g}{4} = +3479 \text{ N}$$

$$P_4 = + \frac{m_1 \cdot g}{4} - \frac{m_1 \cdot g \cdot \ell_2}{2 \cdot \ell_0} - \frac{m_1 \cdot g \cdot \ell_3}{2 \cdot \ell_1} + \frac{m_2 \cdot g}{4} = +1911 \text{ N}$$

#### ● During leftward acceleration

##### ■ Applied load in the radial direction $P'l_{a_n}$

$$P'l_{a1} = P_1 - \frac{m_1 \cdot \alpha_1 \cdot \ell_5}{2 \cdot \ell_0} - \frac{m_2 \cdot \alpha_1 \cdot \ell_4}{2 \cdot \ell_0} = - 275.6 \text{ N}$$

$$P'l_{a2} = P_2 + \frac{m_1 \cdot \alpha_1 \cdot \ell_5}{2 \cdot \ell_0} + \frac{m_2 \cdot \alpha_1 \cdot \ell_4}{2 \cdot \ell_0} = + 7625.6 \text{ N}$$

$$P'l_{a3} = P_3 + \frac{m_1 \cdot \alpha_1 \cdot \ell_5}{2 \cdot \ell_0} + \frac{m_2 \cdot \alpha_1 \cdot \ell_4}{2 \cdot \ell_0} = + 6645.6 \text{ N}$$

$$P'l_{a4} = P_4 - \frac{m_1 \cdot \alpha_1 \cdot \ell_5}{2 \cdot \ell_0} - \frac{m_2 \cdot \alpha_1 \cdot \ell_4}{2 \cdot \ell_0} = - 1255.6 \text{ N}$$

##### ■ Applied load in the lateral direction $Pt'l_{a_n}$

$$Pt'l_{a1} = - \frac{m_1 \cdot \alpha_1 \cdot \ell_3}{2 \cdot \ell_0} = - 333.3 \text{ N}$$

$$Pt'l_{a2} = + \frac{m_1 \cdot \alpha_1 \cdot \ell_3}{2 \cdot \ell_0} = + 333.3 \text{ N}$$

$$Pt'l_{a3} = + \frac{m_1 \cdot \alpha_1 \cdot \ell_3}{2 \cdot \ell_0} = + 333.3 \text{ N}$$

$$Pt'l_{a4} = - \frac{m_1 \cdot \alpha_1 \cdot \ell_3}{2 \cdot \ell_0} = - 333.3 \text{ N}$$

#### ● During leftward deceleration

##### ■ Applied load in the radial direction $P'l_{d_n}$

$$P'l_{d1} = P_1 + \frac{m_1 \cdot \alpha_3 \cdot \ell_5}{2 \cdot \ell_0} + \frac{m_2 \cdot \alpha_3 \cdot \ell_4}{2 \cdot \ell_0} = + 3946.6 \text{ N}$$

$$P'l_{d2} = P_2 - \frac{m_1 \cdot \alpha_3 \cdot \ell_5}{2 \cdot \ell_0} - \frac{m_2 \cdot \alpha_3 \cdot \ell_4}{2 \cdot \ell_0} = + 3403.4 \text{ N}$$

$$P'l_{d3} = P_3 - \frac{m_1 \cdot \alpha_3 \cdot \ell_5}{2 \cdot \ell_0} - \frac{m_2 \cdot \alpha_3 \cdot \ell_4}{2 \cdot \ell_0} = + 2423.4 \text{ N}$$

$$P'l_{d4} = P_4 + \frac{m_1 \cdot \alpha_3 \cdot \ell_5}{2 \cdot \ell_0} + \frac{m_2 \cdot \alpha_3 \cdot \ell_4}{2 \cdot \ell_0} = + 2966.6 \text{ N}$$

### ■ Applied load in the lateral direction $P_{tld_n}$

$$P_{tld_1} = + \frac{m_1 \cdot \alpha_3 \cdot l_3}{2 \cdot l_0} = + 111.1 \text{ N}$$

$$P_{tld_2} = - \frac{m_1 \cdot \alpha_3 \cdot l_3}{2 \cdot l_0} = - 111.1 \text{ N}$$

$$P_{tld_3} = - \frac{m_1 \cdot \alpha_3 \cdot l_3}{2 \cdot l_0} = - 111.1 \text{ N}$$

$$P_{tld_4} = + \frac{m_1 \cdot \alpha_3 \cdot l_3}{2 \cdot l_0} = + 111.1 \text{ N}$$

### ● During rightward acceleration

#### ■ Applied load in the radial direction $P_{ra_n}$

$$P_{ra_1} = P_1 + \frac{m_1 \cdot \alpha_1 \cdot l_5}{2 \cdot l_0} + \frac{m_2 \cdot \alpha_1 \cdot l_4}{2 \cdot l_0} = + 6057.6 \text{ N}$$

$$P_{ra_2} = P_2 - \frac{m_1 \cdot \alpha_1 \cdot l_5}{2 \cdot l_0} - \frac{m_2 \cdot \alpha_1 \cdot l_4}{2 \cdot l_0} = + 1292.4 \text{ N}$$

$$P_{ra_3} = P_3 - \frac{m_1 \cdot \alpha_1 \cdot l_5}{2 \cdot l_0} - \frac{m_2 \cdot \alpha_1 \cdot l_4}{2 \cdot l_0} = + 312.4 \text{ N}$$

$$P_{ra_4} = P_4 + \frac{m_1 \cdot \alpha_1 \cdot l_5}{2 \cdot l_0} + \frac{m_2 \cdot \alpha_1 \cdot l_4}{2 \cdot l_0} = + 5077.6 \text{ N}$$

#### ■ Applied load in the lateral direction $P_{tra_n}$

$$P_{tra_1} = + \frac{m_1 \cdot \alpha_1 \cdot l_3}{2 \cdot l_0} = + 333.3 \text{ N}$$

$$P_{tra_2} = - \frac{m_1 \cdot \alpha_1 \cdot l_3}{2 \cdot l_0} = - 333.3 \text{ N}$$

$$P_{tra_3} = - \frac{m_1 \cdot \alpha_1 \cdot l_3}{2 \cdot l_0} = - 333.3 \text{ N}$$

$$P_{tra_4} = + \frac{m_1 \cdot \alpha_1 \cdot l_3}{2 \cdot l_0} = + 333.3 \text{ N}$$

### ● During rightward deceleration

#### ■ Applied load in the radial direction $P_{rd_n}$

$$P_{rd_1} = P_1 - \frac{m_1 \cdot \alpha_3 \cdot l_5}{2 \cdot l_0} - \frac{m_2 \cdot \alpha_3 \cdot l_4}{2 \cdot l_0} = + 1835.4 \text{ N}$$

$$P_{rd_2} = P_2 + \frac{m_1 \cdot \alpha_3 \cdot l_5}{2 \cdot l_0} + \frac{m_2 \cdot \alpha_3 \cdot l_4}{2 \cdot l_0} = + 5514.6 \text{ N}$$

$$P_{rd_3} = P_3 + \frac{m_1 \cdot \alpha_3 \cdot l_5}{2 \cdot l_0} + \frac{m_2 \cdot \alpha_3 \cdot l_4}{2 \cdot l_0} = + 4534.6 \text{ N}$$

$$P_{rd_4} = P_4 - \frac{m_1 \cdot \alpha_3 \cdot l_5}{2 \cdot l_0} - \frac{m_2 \cdot \alpha_3 \cdot l_4}{2 \cdot l_0} = + 855.4 \text{ N}$$

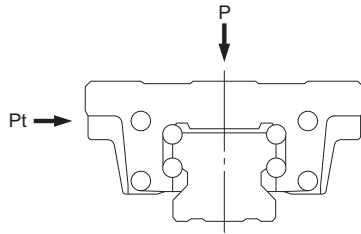
### ■ Applied load in the lateral direction Ptrd.

$$\text{Ptrd}_1 = - \frac{m_1 \cdot \alpha_3 \cdot \ell_3}{2 \cdot \ell_0} = -111.1 \text{ N}$$

$$\text{Ptrd}_2 = + \frac{m_1 \cdot \alpha_3 \cdot \ell_3}{2 \cdot \ell_0} = +111.1 \text{ N}$$

$$\text{Ptrd}_3 = + \frac{m_1 \cdot \alpha_3 \cdot \ell_3}{2 \cdot \ell_0} = +111.1 \text{ N}$$

$$\text{Ptrd}_4 = + \frac{m_1 \cdot \alpha_3 \cdot \ell_3}{2 \cdot \ell_0} = -111.1 \text{ N}$$



### [Combined Radial And Thrust Load]

The combined radial and thrust load is calculated for each block only on the groove where the load is greatest.

Under these operating conditions, for each block, the groove for which the load is greatest is groove 1.\*1 Because groove 1 bears  $P^{*2}>0$  and  $Pt>0$  loads, it is 0 N when  $P<0$  and  $Pt<0$  loads are applied.

When calculating for the groove that will bear  $P<0$  and  $Pt<0$  loads, use the absolute value of the load.

\*1 The reason that groove 1 has the greatest load is that mass  $m_1$  is applied unevenly to the table and is not distributed equally to all grooves in the block.

\*2  $P$  refers to the radial load that each groove bears.

#### ● During uniform motion

$$P_{E1} = P_1 = 2891 \text{ N}$$

$$P_{E2} = P_2 = 4459 \text{ N}$$

$$P_{E3} = P_3 = 3479 \text{ N}$$

$$P_{E4} = P_4 = 1911 \text{ N}$$

#### ● During leftward acceleration

$$P_{E\ell a_1} = |P\ell a_1| + |Pt\ell a_1| = 608.9 \text{ N}$$

$$P_{E\ell a_2} = |P\ell a_2| + |Pt\ell a_2| = 7958.9 \text{ N}$$

$$P_{E\ell a_3} = |P\ell a_3| + |Pt\ell a_3| = 6978.9 \text{ N}$$

$$P_{E\ell a_4} = |P\ell a_4| + |Pt\ell a_4| = 1588.9 \text{ N}$$

$$P\ell a_1, Pt\ell a_1, P\ell a_4, \text{ and } Pt\ell a_4 = 0 \text{ N}$$

#### ● During leftward deceleration

$$P_{E\ell d_1} = |P\ell d_1| + |Pt\ell d_1| = 4057.7 \text{ N}$$

$$P_{E\ell d_2} = |P\ell d_2| + |Pt\ell d_2| = 3514.5 \text{ N}$$

$$P_{E\ell d_3} = |P\ell d_3| + |Pt\ell d_3| = 2534.5 \text{ N}$$

$$P_{E\ell d_4} = |P\ell d_4| + |Pt\ell d_4| = 3077.7 \text{ N}$$

$$Pt\ell d_2 \text{ and } Pt\ell d_3 = 0 \text{ N}$$

#### ● During rightward acceleration

$$P_{Er a_1} = |P r a_1| + |P t r a_1| = 6390.9 \text{ N}$$

$$P_{Er a_2} = |P r a_2| + |P t r a_2| = 1625.7 \text{ N}$$

$$P_{Er a_3} = |P r a_3| + |P t r a_3| = 645.7 \text{ N}$$

$$P_{Er a_4} = |P r a_4| + |P t r a_4| = 5410.9 \text{ N}$$

$$P t r a_2 \text{ and } P t r a_3 = 0 \text{ N}$$

#### ● During rightward deceleration

$$P_{Er d_1} = |P r d_1| + |P t r d_1| = 1946.5 \text{ N}$$

$$P_{Er d_2} = |P r d_2| + |P t r d_2| = 5625.7 \text{ N}$$

$$P_{Er d_3} = |P r d_3| + |P t r d_3| = 4645.7 \text{ N}$$

$$P_{Er d_4} = |P r d_4| + |P t r d_4| = 966.5 \text{ N}$$

$$P t r a_1 \text{ and } P t r a_4 = 0 \text{ N}$$

### [Static Safety Factor]

As indicated above, the maximum load is applied to the LM Guide during the leftward acceleration of the second LM block. Therefore, the static safety factor ( $f_s$ ) is obtained in the following equation.

$$f_s = \frac{C_0}{P_{E\ell a_2}} = \frac{91.7 \times 10^3}{7958.9} = 11.5$$

**[Average Load  $P_{m1}$ ]**

Obtain the average load applied to each LM block.

$$\begin{aligned}
 P_{m1} &= \sqrt[3]{\frac{1}{2 \cdot \ell_s} (P_{E\ell} a_1^3 \cdot S_1 + P_{E1}^3 \cdot S_2 + P_{E\ell} d_1^3 \cdot S_3 + P_{E1} a_1^3 \cdot S_1 + P_{E1}^3 \cdot S_2 + P_{E1} d_1^3 \cdot S_3)} \\
 &= \sqrt[3]{\frac{1}{2 \times 1450} (608.9^3 \times 12.5 + 2891^3 \times 1400 + 4057.7^3 \times 37.5 + 6390.9^3 \times 12.5 + 2891^3 \times 1400 + 1946.5^3 \times 37.5)} \\
 &= 2940.1\text{N}
 \end{aligned}$$

$$\begin{aligned}
 P_{m2} &= \sqrt[3]{\frac{1}{2 \cdot \ell_s} (P_{E\ell} a_2^3 \cdot S_1 + P_{E2}^3 \cdot S_2 + P_{E\ell} d_2^3 \cdot S_3 + P_{E2} a_2^3 \cdot S_1 + P_{E2}^3 \cdot S_2 + P_{E2} d_2^3 \cdot S_3)} \\
 &= \sqrt[3]{\frac{1}{2 \times 1450} (7958.9^3 \times 12.5 + 4459^3 \times 1400 + 3514.5^3 \times 37.5 + 1625.7^3 \times 12.5 + 4459^3 \times 1400 + 5625.7^3 \times 37.5)} \\
 &= 4492.2\text{N}
 \end{aligned}$$

$$\begin{aligned}
 P_{m3} &= \sqrt[3]{\frac{1}{2 \cdot \ell_s} (P_{E\ell} a_3^3 \cdot S_1 + P_{E3}^3 \cdot S_2 + P_{E\ell} d_3^3 \cdot S_3 + P_{E3} a_3^3 \cdot S_1 + P_{E3}^3 \cdot S_2 + P_{E3} d_3^3 \cdot S_3)} \\
 &= \sqrt[3]{\frac{1}{2 \times 1450} (6978.9^3 \times 12.5 + 3479^3 \times 1400 + 2534.5^3 \times 37.5 + 645.7^3 \times 12.5 + 3479^3 \times 1400 + 4645.7^3 \times 37.5)} \\
 &= 3520.4\text{N}
 \end{aligned}$$

$$\begin{aligned}
 P_{m4} &= \sqrt[3]{\frac{1}{2 \cdot \ell_s} (P_{E\ell} a_4^3 \cdot S_1 + P_{E4}^3 \cdot S_2 + P_{E\ell} d_4^3 \cdot S_3 + P_{E4} a_4^3 \cdot S_1 + P_{E4}^3 \cdot S_2 + P_{E4} d_4^3 \cdot S_3)} \\
 &= \sqrt[3]{\frac{1}{2 \times 1450} (1588.9^3 \times 12.5 + 1911^3 \times 1400 + 3077.7^3 \times 37.5 + 5410.9^3 \times 12.5 + 1911^3 \times 1400 + 966.5^3 \times 37.5)} \\
 &= 1985.5\text{N}
 \end{aligned}$$

**[Nominal Life  $L_{10mn}$ ]**

The nominal life of the four LM blocks is obtained from the corresponding nominal life equations shown below.

$$L_{10m1} = \left( \alpha \times \frac{C}{P_{m1}} \right)^3 \times 50 = 160000 \text{ km}$$

$$L_{10m2} = \left( \alpha \times \frac{C}{P_{m2}} \right)^3 \times 50 = 44800 \text{ km}$$

$$L_{10m3} = \left( \alpha \times \frac{C}{P_{m3}} \right)^3 \times 50 = 93200 \text{ km}$$

$$L_{10m4} = \left( \alpha \times \frac{C}{P_{m4}} \right)^3 \times 50 = 519700 \text{ km}$$

$$\alpha = \frac{1}{f_w} \text{ (where } f_w = 1.5)$$

Therefore, the service life of the LM Guide used in a machine or equipment under the conditions stated above is equivalent to the nominal life of the second LM block, which is 44,800 km.

## Example of Calculating the Nominal Life (2) - with Vertical Mount

[Conditions]

Model No. : HSR25CA2SS+1500L- II  
 (basic dynamic load rating:  $C = 27.6 \text{ kN}$ )  
 (basic static load rating:  $C_0 = 36.4 \text{ kN}$ )

Mass	: $m_0 = 100 \text{ kg}$	Distance	: $l_0 = 300 \text{ mm}$
	$m_1 = 200 \text{ kg}$		$l_1 = 80 \text{ mm}$
	$m_2 = 100 \text{ kg}$		$l_2 = 50 \text{ mm}$
Stroke	: $l_s = 1000 \text{ mm}$		$l_3 = 280 \text{ mm}$
			$l_4 = 150 \text{ mm}$
			$l_5 = 250 \text{ mm}$

The mass ( $m_0$ ) is loaded only during ascent; it is removed during descent.

Gravitational acceleration  $g = 9.8 \text{ (m/s}^2\text{)}$

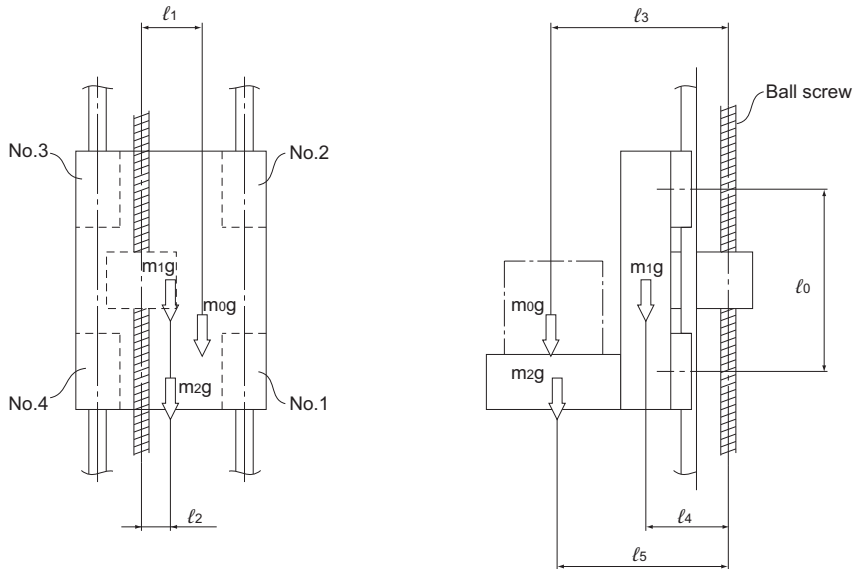


Fig.13 Condition



**[Load Applied to the LM Block]****● During Ascent****■ Load applied to each LM block in the radial direction  $Pu_n$  during ascent**

$$Pu_1 = + \frac{m_1 g \cdot l_4}{2 \cdot l_0} + \frac{m_2 g \cdot l_5}{2 \cdot l_0} + \frac{m_0 g \cdot l_3}{2 \cdot l_0} = + 1355.6 \text{ N}$$

$$Pu_2 = - \frac{m_1 g \cdot l_4}{2 \cdot l_0} - \frac{m_2 g \cdot l_5}{2 \cdot l_0} - \frac{m_0 g \cdot l_3}{2 \cdot l_0} = - 1355.6 \text{ N}$$

$$Pu_3 = - \frac{m_1 g \cdot l_4}{2 \cdot l_0} - \frac{m_2 g \cdot l_5}{2 \cdot l_0} - \frac{m_0 g \cdot l_3}{2 \cdot l_0} = - 1355.6 \text{ N}$$

$$Pu_4 = + \frac{m_1 g \cdot l_4}{2 \cdot l_0} + \frac{m_2 g \cdot l_5}{2 \cdot l_0} + \frac{m_0 g \cdot l_3}{2 \cdot l_0} = + 1355.6 \text{ N}$$

**■ Load applied to each LM block in the lateral direction  $Ptu_n$  during ascent**

$$Ptu_1 = + \frac{m_1 g \cdot l_2}{2 \cdot l_0} + \frac{m_2 g \cdot l_2}{2 \cdot l_0} + \frac{m_0 g \cdot l_1}{2 \cdot l_0} = + 375.7 \text{ N}$$

$$Ptu_2 = - \frac{m_1 g \cdot l_2}{2 \cdot l_0} - \frac{m_2 g \cdot l_2}{2 \cdot l_0} - \frac{m_0 g \cdot l_1}{2 \cdot l_0} = - 375.7 \text{ N}$$

$$Ptu_3 = - \frac{m_1 g \cdot l_2}{2 \cdot l_0} - \frac{m_2 g \cdot l_2}{2 \cdot l_0} - \frac{m_0 g \cdot l_1}{2 \cdot l_0} = - 375.7 \text{ N}$$

$$Ptu_4 = + \frac{m_1 g \cdot l_2}{2 \cdot l_0} + \frac{m_2 g \cdot l_2}{2 \cdot l_0} + \frac{m_0 g \cdot l_1}{2 \cdot l_0} = + 375.7 \text{ N}$$

**● During Descent****■ Load applied to each LM block in the radial direction  $Pd_n$  during descent**

$$Pd_1 = + \frac{m_1 g \cdot l_4}{2 \cdot l_0} + \frac{m_2 g \cdot l_5}{2 \cdot l_0} = + 898.3 \text{ N}$$

$$Pd_2 = - \frac{m_1 g \cdot l_4}{2 \cdot l_0} - \frac{m_2 g \cdot l_5}{2 \cdot l_0} = - 898.3 \text{ N}$$

$$Pd_3 = - \frac{m_1 g \cdot l_4}{2 \cdot l_0} - \frac{m_2 g \cdot l_5}{2 \cdot l_0} = - 898.3 \text{ N}$$

$$Pd_4 = + \frac{m_1 g \cdot l_4}{2 \cdot l_0} + \frac{m_2 g \cdot l_5}{2 \cdot l_0} = + 898.3 \text{ N}$$

**■ Load applied to each LM block in the lateral direction  $Ptd_n$  during descent**

$$Ptd_1 = + \frac{m_1 g \cdot l_2}{2 \cdot l_0} + \frac{m_2 g \cdot l_2}{2 \cdot l_0} = + 245 \text{ N}$$

$$Ptd_2 = - \frac{m_1 g \cdot l_2}{2 \cdot l_0} - \frac{m_2 g \cdot l_2}{2 \cdot l_0} = - 245 \text{ N}$$

$$Ptd_3 = - \frac{m_1 g \cdot l_2}{2 \cdot l_0} - \frac{m_2 g \cdot l_2}{2 \cdot l_0} = - 245 \text{ N}$$

$$Ptd_4 = + \frac{m_1 g \cdot l_2}{2 \cdot l_0} + \frac{m_2 g \cdot l_2}{2 \cdot l_0} = + 245 \text{ N}$$

### [Combined Radial And Thrust Load]

#### ● During Ascent

$$P_{Eu1} = |P_{u1}| + |P_{t_{u1}}| = 1731.3 \text{ N}$$

$$P_{Eu2} = |P_{u2}| + |P_{t_{u2}}| = 1731.3 \text{ N}$$

$$P_{Eu3} = |P_{u3}| + |P_{t_{u3}}| = 1731.3 \text{ N}$$

$$P_{Eu4} = |P_{u4}| + |P_{t_{u4}}| = 1731.3 \text{ N}$$

#### ● During Descent

$$P_{Ed1} = |P_{d1}| + |P_{t_{d1}}| = 1143.3 \text{ N}$$

$$P_{Ed2} = |P_{d2}| + |P_{t_{d2}}| = 1143.3 \text{ N}$$

$$P_{Ed3} = |P_{d3}| + |P_{t_{d3}}| = 1143.3 \text{ N}$$

$$P_{Ed4} = |P_{d4}| + |P_{t_{d4}}| = 1143.3 \text{ N}$$

### [Static Safety Factor]

The static safety factor ( $f_s$ ) of the LM Guide used in a machine or equipment under the conditions stated above is obtained as follows.

$$f_s = \frac{C_0}{P_{Eu2}} = \frac{36.4 \times 10^3}{1731.3} = 21.0$$

### [Average Load $P_{mn}$ ]

Obtain the average load applied to each LM block.

$$P_{m1} = \sqrt[3]{\frac{1}{2 \cdot \ell_s} (P_{Eu1}^3 \cdot \ell_s + P_{Ed1}^3 \cdot \ell_s)} = 1495.1 \text{ N}$$

$$P_{m2} = \sqrt[3]{\frac{1}{2 \cdot \ell_s} (P_{Eu2}^3 \cdot \ell_s + P_{Ed2}^3 \cdot \ell_s)} = 1495.1 \text{ N}$$

$$P_{m3} = \sqrt[3]{\frac{1}{2 \cdot \ell_s} (P_{Eu3}^3 \cdot \ell_s + P_{Ed3}^3 \cdot \ell_s)} = 1495.1 \text{ N}$$

$$P_{m4} = \sqrt[3]{\frac{1}{2 \cdot \ell_s} (P_{Eu4}^3 \cdot \ell_s + P_{Ed4}^3 \cdot \ell_s)} = 1495.1 \text{ N}$$

### [Nominal Life $L_{10mn}$ ]

The nominal life of the four LM blocks is obtained from the corresponding nominal life equations shown below.

$$L_{10m1} = \left( \alpha \times \frac{C}{P_{m1}} \right)^3 \times 50 = 182000 \text{ km}$$

$$L_{10m2} = \left( \alpha \times \frac{C}{P_{m2}} \right)^3 \times 50 = 182000 \text{ km}$$

$$L_{10m3} = \left( \alpha \times \frac{C}{P_{m3}} \right)^3 \times 50 = 182000 \text{ km}$$

$$L_{10m4} = \left( \alpha \times \frac{C}{P_{m4}} \right)^3 \times 50 = 182000 \text{ km}$$

$$\alpha = \frac{1}{f_w} \quad (\text{where } f_w = 1.2)$$

Therefore, the service life of the LM Guide used in a machine or equipment under the conditions stated above is 182,000 km.

# Predicting the Rigidity

## Selecting a Radial Clearance (Preload)

Since the radial clearance of an LM Guide greatly affects the running accuracy, load carrying capacity and rigidity of the LM Guide, it is important to select an appropriate clearance according to the application. In general, selecting a negative clearance (i.e., a preload\* is applied) while taking into account possible vibrations and impact generated from reciprocating motion favorably affects the service life and the accuracy.

For specific radial clearances, contact THK. We will help you select the optimal clearance according to the conditions.

The clearances of all LM Guide models (except model HR, GSR and GSR-R, which are separate types) are adjusted as specified before shipment, and therefore they do not need further preload adjustment.

\*Preload is an internal load applied to the rolling elements (balls, rollers, etc.) of an LM block in advance in order to increase its rigidity.

Table4 Types of Radial Clearance

	Normal Clearance	Clearance C1 (Light Preload)	Clearance C0 (Medium Preload)
Condition	<ul style="list-style-type: none"> <li>The loading direction is fixed, impact and vibrations are minimal and 2 rails are installed in parallel.</li> <li>Very high precision is not required, and the sliding resistance must be as low as possible.</li> </ul>	<ul style="list-style-type: none"> <li>An overhang load or moment load is applied.</li> <li>LM Guide is used in a single-rail configuration.</li> <li>Light load and high accuracy are required.</li> </ul>	<ul style="list-style-type: none"> <li>High rigidity is required and vibrations and impact are applied.</li> <li>Heavy-cutting machine tool</li> </ul>
Examples of applications	<ul style="list-style-type: none"> <li>Beam-welding machine</li> <li>Book-binding machine</li> <li>Automatic packaging machine</li> <li>XY axes of general industrial machinery</li> <li>Automatic sash-manufacturing machine</li> <li>Welding machine</li> <li>Flame cutting machine</li> <li>Tool changer</li> <li>Various kinds of material feeder</li> </ul>	<ul style="list-style-type: none"> <li>Grinding machine table feed axis</li> <li>Automatic coating machine</li> <li>Industrial robot</li> <li>various kinds of material high speed feeder</li> <li>NC drilling machine</li> <li>Vertical axis of general industrial machinery</li> <li>Printed circuit board drilling machine</li> <li>Electric discharge machine</li> <li>Measuring instrument</li> <li>Precision XY table</li> </ul>	<ul style="list-style-type: none"> <li>Machining center</li> <li>NC lathe</li> <li>Grinding stone feed axis of grinding machine</li> <li>Milling machine</li> <li>Vertical/horizontal boring machine</li> <li>Tool rest guide</li> <li>Vertical axis of machine tool</li> </ul>

## Service Life with a Preload Considered

When using an LM Guide under a medium preload (clearance C0), it is necessary to calculate the service life while taking into account the magnitude of the preload.

To identify the appropriate preload for any selected LM Guide model, contact THK.

## Rigidity

When a load is applied to an LM Guide, the bearings and LM block will elastically deform within the allowable load range. The ratio of displacement to applied load is referred to as "rigidity." The radial internal clearance (preload) for the LM Guide can be specified in order to reduce displacement.

By using balls larger than the width of the race, they will naturally deform elastically as they roll, allowing the load to be maintained for longer while limiting displacement in the LM Guide.

The effect of the preload can be up to 2.8 times greater than the size of the preload itself. If that level is exceeded, the preload is released and the effect of the preload is lost.

When a preloaded LM Guide takes an external load, the displacement will be linear. The level of displacement will be approximately half that of an LM Guide with no preload.

The preload, in addition to reducing displacement, helps prevent premature failure due to vibration and impact/shock.

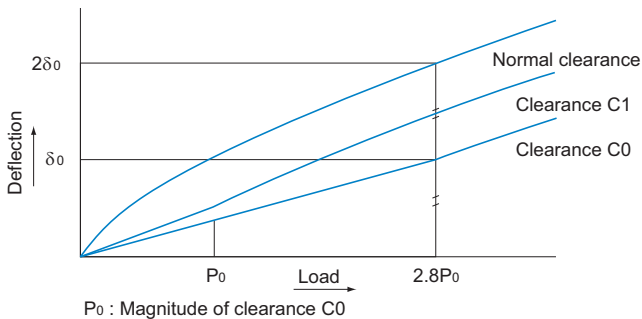


Fig.14 Rigidity Data

$$K = \frac{P}{\delta}$$

K	: Rigidity value	(N/ $\mu$ m)
$\delta$	: Deflection	( $\mu$ m)
P	: Calculated load	(N)

# Determining the Accuracy

## Accuracy Standards

Accuracy of the LM Guide is specified in terms of running parallelism, dimensional tolerance for height and width, and height and width difference between a pair when 2 or more LM blocks are used on one rail or when 2 or more rails are mounted on the same plane.

For details, see “Accuracy Standard for Each Model” on **A1-76** to **A1-86**.

### [Running of Parallelism]

It refers to the tolerance for parallelism between the LM block and the LM rail reference surface when the LM block travels the whole length of the LM rail with the LM rail secured on the reference surface using bolts.

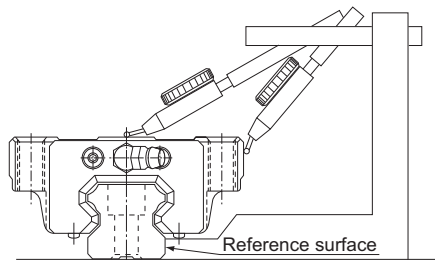


Fig.15 Running of Parallelism

### [Difference in Height M]

Indicates a difference between the minimum and maximum values of height (M) of each of the LM blocks used on the same plane in combination.

### [Difference in Width $W_2$ ]

Indicates a difference between the minimum and maximum values of the width ( $W_2$ ) between each of the LM blocks, mounted on one LM rail in combination, and the LM rail.

Note 1) When two or more rails are used on the same plane in parallel, only the width ( $W_2$ ) variation and dimensional tolerance of the master rail apply. Master LM rails will have a serial number ending with “KB” printed on them. However, this is not the case for standard grade products.

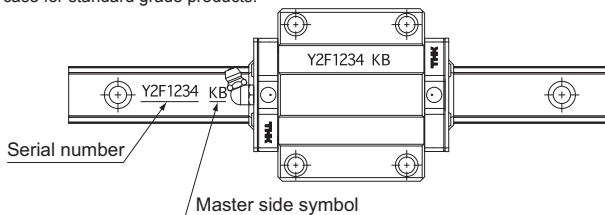


Fig.16 Master LM Rail (E.g. Model HSR-A)

Note 2) Accuracy measurements each represent the average value of the central point or the central area of the LM block.

Note 3) If it is mounted on a less rigid base such as an aluminum base, the curve of the rail will affect the accuracy of the machine. Therefore, it is necessary to define straightness of the rail in advance.

## Guidelines for Accuracy Grades by Machine Type

Table5 shows guidelines for selecting an accuracy grade of the LM Guide according to the machine type.

Table5 Guideline for Accuracy Grades by Machine Type

Type of machine		Accuracy grades				
		Normal	H	P	SP	UP
Machine tool	Machining center			●	●	
	Lathe			●	●	
	Milling machine			●	●	
	Boring machine			●	●	
	Jig borer				●	●
	Grinding machine				●	●
	Electric discharge machine			●	●	●
	Punching press		●	●		
	Laser beam machine		●	●	●	
	Woodworking machine	●	●	●		
	NC drilling machine		●	●		
	Tapping center		●	●		
	Palette changer	●				
	ATC	●				
	Wire cutting machine			●	●	
Dressing machine				●	●	
Industrial robot	Cartesian coordinate	●	●	●		
	Cylindrical coordinate	●	●			
Semiconductor manufacturing equipment	Wire bonding machine			●	●	
	Prober				●	●
	Electronic component inserter		●	●		
	Printed circuit board drilling machine		●	●	●	
Other equipment	Injection molding machine	●	●			
	3D measuring instrument				●	●
	Office equipment	●	●			
	Conveyance system	●	●			
	XY table		●	●	●	
	Coating machine	●	●			
	Welding machine	●	●			
	Medical equipment	●	●			
	Digitizer		●	●	●	
Inspection equipment			●	●	●	

Normal : Normal grade  
 H : High accuracy grade  
 P : Precision grade

SP : Super precision grade  
 UP : Ultra precision grade

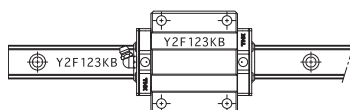
## Mounting the LM Guide

### Marking on the Master LM Guide and Combined Use

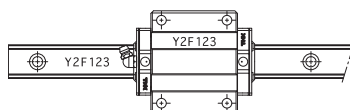
#### [Marking on the Master LM Guide]

All LM rails mounted on the same plane are marked with the same serial number. The LM rail marked with "KB" after the serial number is the master LM rail. The LM block on the master LM rail has its reference surface finished to a designated precision, allowing it to serve as the positioning reference for tables. (See Fig.1)

Normal grade LM Guides are not marked with "KB." Therefore, any one of the LM rails having the same serial number can be used as the master LM rail.



Master LM Guide



Subsidiary LM Guide

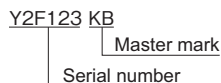
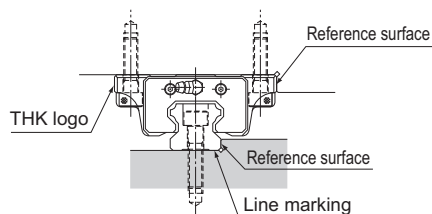


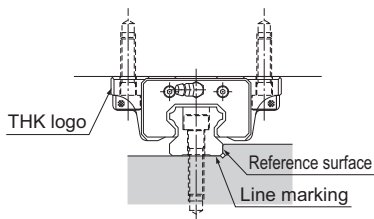
Fig.1 Master and Subsidiary LM Guides (E.g. Model HSR-B)

#### [Markings on the Reference Surface]

In the LM Guide, the reference surface of the LM block is opposite the surface marked with the THK logo, and that of the LM rail is on the surface marked with a line (see Fig.2). If it is necessary to reverse the reference surface of the LM rail and block, or if the grease nipple must be oriented in the opposite direction, specify it.



Master LM Guide



Subsidiary LM Guide

Fig.2 Markings on the Reference Surface

### [Serial Number Marking and Combined Use of an LM Rail and LM Blocks]

An LM rail and LM block(s) used in combination must have the same serial number. When removing an LM block from the LM rail and reinstalling the LM block, make sure that they have the same serial number and the numbers are oriented in the same direction. (Fig.3)

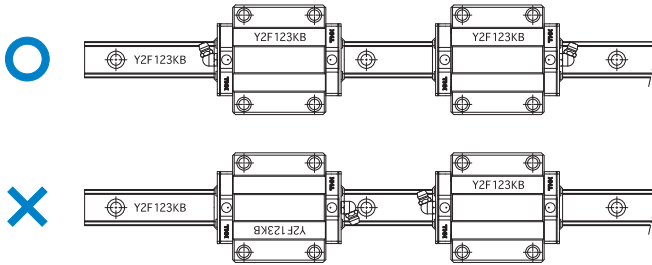


Fig.3 Serial Number Marking and Combined Use of an LM Rail and LM Blocks (E.g. Model HSR-A)

### [Use of Jointed Rails]

When a long LM rail is ordered, two or more rails will be jointed together to the desired length. When jointing rails, make sure that the joint match marks shown in Fig.4 are correctly positioned.

When two LM Guides with connected rails are to be arranged in parallel to each other, the two LM Guides will be manufactured so that the two LM Guides are axisymmetrically aligned.

If a large load is applied near the LM rail joint, the LM rail may deflect and cause misalignment. Therefore, we recommend securely fastening the joint section by pressing the LM rail against the datum plane using a set screw or the like and keeping the L dimension as short as possible (Fig.4). For details, contact THK.

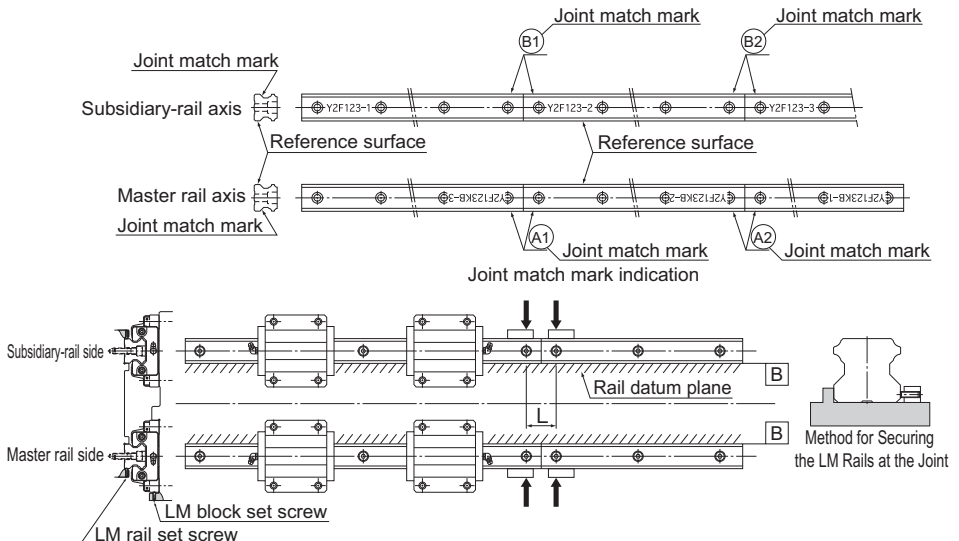


Fig.4 Use of Jointed Rails



## Mounting Procedure

[Example of Mounting the LM Guide When an Impact Load is Applied to the Machine and therefore Rigidity and High Accuracy are Required]

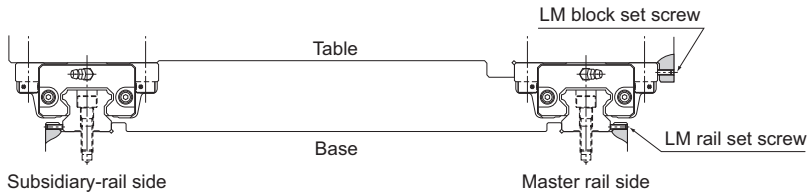


Fig.5 When an Impact Load is Applied to the Machine

### ● Mounting the LM Rail(s)

- (1) Be sure to remove burr, dent and dust from the mounting surface of the machine to which the LM Guide is to be mounted before installing the LM Guide. (Fig.6)

Note) Since the LM Guide is coated with anti-rust oil, remove it from the reference surface by wiping the surface with washing oil before using the guide. Once the anti-rust oil has been removed, the reference surface is prone to getting rusted. We recommend applying low-viscosity spindle oil.

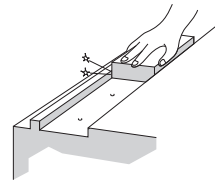


Fig.6 Checking the Mounting Surface

- (2) Gently place the LM rail onto the base, and temporarily secure the bolts to the extent that the LM rail lightly contacts the mounting surface (align the line-marked side of the LM rail with the side reference-surface of the base). (Fig.7)

Note) The bolts for securing the LM Guide must be clean. When placing the bolts into the mounting holes of the LM rail, check if the bolt holes are displaced. (Fig.8) Forcibly tightening the bolt into a displaced hole may deteriorate the accuracy.

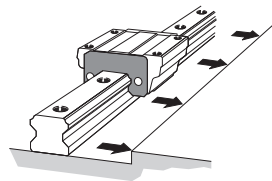


Fig.7 Aligning the LM Rail with the Reference-Surface

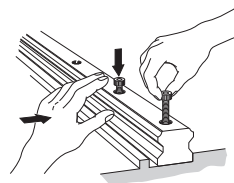


Fig.8 Checking with the Bolt for an Allowance

- (3) Secure the set screws for the LM rail in order with a tightening force just enough to have the rail closely contact the side mounting surface. (Fig.9)

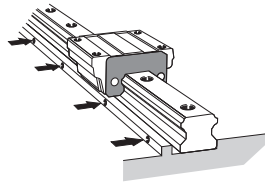


Fig.9 Tightening the Set screws

- (4) Tighten the mounting bolts at the designated torque using a torque wrench. (See Fig.10, and Table1 and Table2 on **B1-101**.)

Note) To achieve stable accuracy when tightening the LM rail mounting bolts, tighten them in order from the center to the rail ends.

- (5) Mount the other rail in the same manner to complete the installation of the LM rails.

- (6) Hammer in caps into the bolt holes on the top face of each LM rail until the top of the cap is on the same level as the top face of the rail.

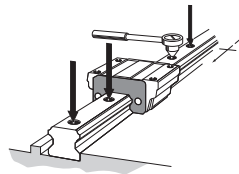


Fig.10 Fully Fastening the Mounting Bolts

### ● Mounting the LM Blocks

- (1) Gently place the table on the LM blocks and temporarily fasten the mounting bolts.

- (2) Press the master side LM blocks to the side reference surface of the table using set screws and position the table. (See Fig.5 on **B1-91**.)

- (3) Fully fasten the mounting bolts on the master side and the subsidiary side to complete the installation.

Note) To evenly secure the table, tighten the mounting bolts in diagonal order as shown in Fig.11.

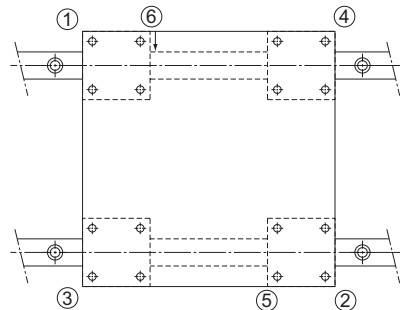


Fig.11 Sequence of Tightening the LM Blocks

This method saves time in establishing straightness of the LM rail and eliminates the need to machine securing dowel pins, thus to drastically shorten the installation man-hours.

[Example of Mounting the LM Guide When the Master LM Rail is not Provided with Set screws]

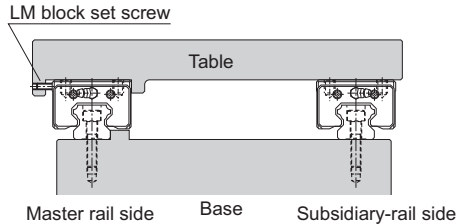


Fig.12 When the Master LM Rail is not Provided with Set screws

● **Mounting the Master LM Rail**

After temporarily fastening the mounting bolts, firmly press the LM rail to the side reference surface at the position of each mounting bolt using a small vice and fully fasten the bolt. Perform this in order from either rail end to the other. (Fig.13)

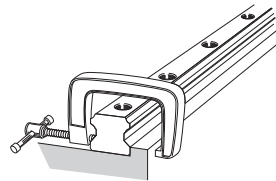


Fig.13

● **Mounting the Subsidiary LM Rail**

To mount the subsidiary LM rail in parallel with the master LM rail, which has been correctly installed, we recommend adopting the methods below.

■ **Using a Straight-edge**

Place straight-edges between the two rails, and arrange the straight-edges in parallel with the side reference surface of the master LM rail using a dial gauge. Then, secure the mounting bolts in order while achieving straightness of the subsidiary rail with the straight edge as the reference by using the dial gauge. (Fig.14)

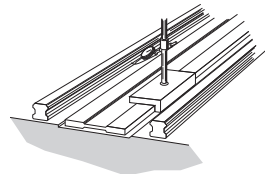


Fig.14

### ■Using Parallelism of the Table

Secure the two LM blocks on the master LM rail with the table (or a temporary table for measurement), and temporarily fasten the LM rail and the LM block on the subsidiary LM rail with the table. Place a dial gauge to the side face of the LM block on the subsidiary rail from the dial stand fixed on the table top, then fasten the bolts in order while achieving parallelism of the subsidiary LM rail by moving the table from the rail end. (Fig.15)

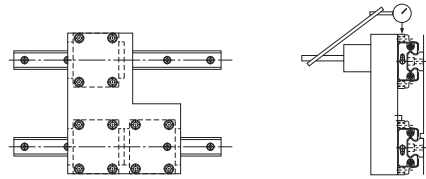


Fig.15

### ■Having the Subsidiary LM Rail Follow the Master LM Rail

Place the table on the blocks of the correctly mounted master LM rail and the temporarily fastened subsidiary LM rail, and fully fasten the two LM blocks on the master rail and one of the two LM blocks on the subsidiary rail with bolts. Fully tighten the mounting bolts on the subsidiary LM rail in order while temporarily fastening the remaining LM block on the subsidiary LM rail. (Fig.16)

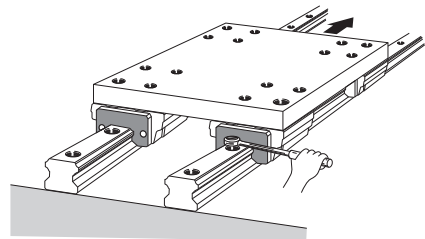


Fig.16

### ■Using a Jig

Use a jig like the one shown in Fig.17 to achieve parallelism of the reference surface on the subsidiary side against the side reference surface of the master side from one end of the rail by the mounting pitch, and at the same time, fully fasten the mounting bolts in order. (Fig.17)

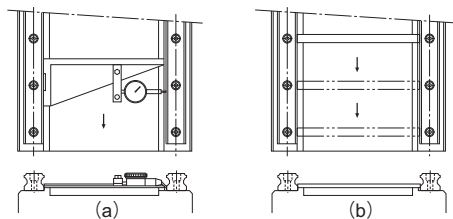


Fig.17

## Mounting Procedure and Maintenance

### Mounting the LM Guide

[Example of Mounting the LM Guide When the Master LM Rail Does not Have a Reference Surface]

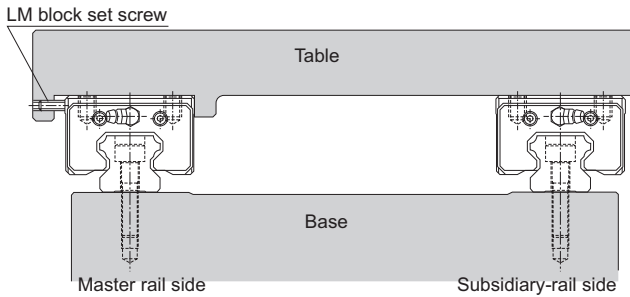


Fig.18

#### ● Mounting the Master LM Rail

##### ■ Using a Temporary Reference Surface

You can temporarily set a reference surface near the LM rail mounting position on the base to achieve straightness of the LM rail from the rail end. In this method, two LM blocks must be joined together and attached to a measurement plate, as shown in Fig.19.

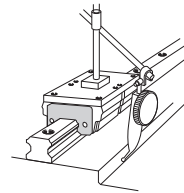


Fig.19

##### ■ Using a Straight-edge

After temporarily fastening the mounting bolts, use a dial gauge to check the straightness of the side reference surface of the LM rail from the rail end, and at the same time, fully fasten the mounting bolts. (Fig.20)

To mount the subsidiary LM rail, follow the procedure described on [B1-93](#).

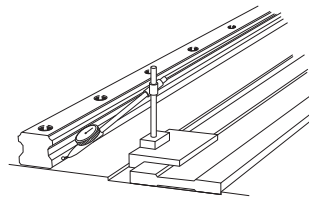


Fig.20

### [Procedure for Assembling Model HR]

The following procedure is recommended for assembling model HR.

- (1) Remove burr or knots from the LM rail mounting surface of the base using an oil-stone. (Fig.21)
- (2) Use a small vice to press the two LM rails to the base so that they closely contact the reference surface, then tighten the mounting bolts to the recommended torque (see **B1-101**). (Fig.22)
  - a. Check if any of the bolts has a sinking.
  - b. Use a torque wrench to tighten the bolts in order from the center to both ends.
- (3) Mount the LM blocks on the table, then install them onto the LM rails. Be sure the mounting bolts for the LM blocks are temporarily fastened.

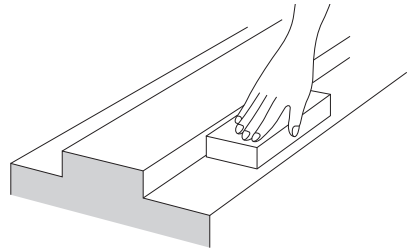


Fig.21

- (4) Tighten the clearance adjustment bolt alternately to adjust the clearance.

If a relatively large preload is applied in order to achieve high rigidity, control the tightening torque or the rolling resistance.

- a. It is preferable to use three clearance adjustment bolts for each LM block as shown in Fig.23.
  - b. To obtain a favorable result of the clearance adjustment, set the tightening torque of the two outside screws at approx. 90% of that of the center screw.
- (5) Secure each LM block by gradually tightening the two LM block mounting bolts, which have temporarily been fastened, while sliding the table. (Fig.24)

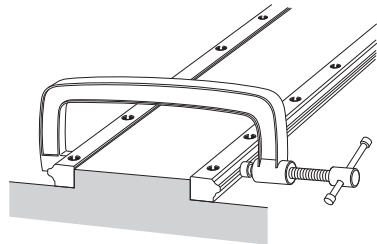


Fig.22

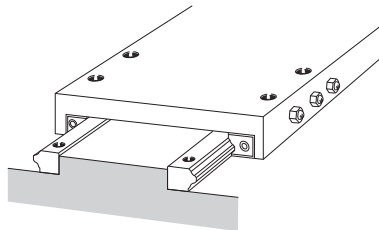


Fig.23

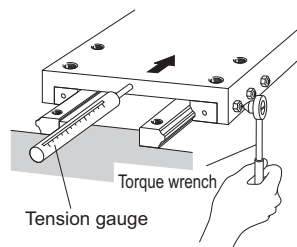


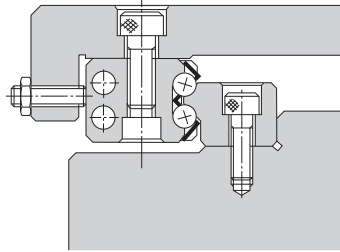
Fig.24

### ● Example of Clearance Adjustment

Design the clearance adjustment bolt so that it presses the center of the side face of the LM block.

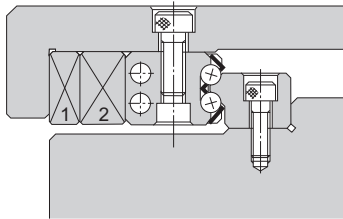
#### a. Using an adjustment screw

Normally, an adjustment screw is used to press the LM block.



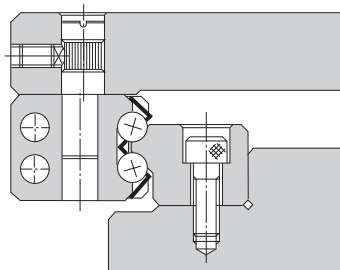
#### b. Using tapered gibs

When high accuracy and high rigidity are required, use tapered gibs 1) and 2).



#### c. Using an eccentric pin

A type using an eccentric pin to adjust the clearance is also available.



### [Procedure for Assembling Model GSR]

The procedure for assembling model GSR is as follows:

- (1) Align the table with the reference-surface of each LM block and fully fasten the mounting bolts to secure the blocks.  
Both ends of the table must have a datum surface. (Fig.25)
- (2) Place LM rail A onto the base and align the rail with a straight-edge.  
Fully fasten the mounting bolts using a torque wrench. (Fig.26)
- (3) Temporarily secure LM rail B onto the base, then mount the blocks on the rail by sliding the blocks.  
Temporarily fasten LM rail B while pressing it toward the LM blocks. (Fig.27)
- (4) Slide the table a few strokes to fit the LM blocks to LM rail B, then fully fasten LM rail B using a torque wrench. (Fig.28)

If there are more GSR units to be assembled, we recommend producing a jig like the one shown in Fig.29 first. You can easily mount LM rails while achieving parallelism of the LM rails using the jig.

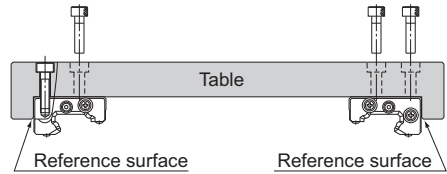


Fig.25

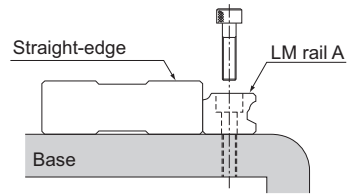


Fig.26

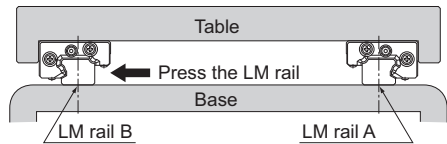


Fig.27

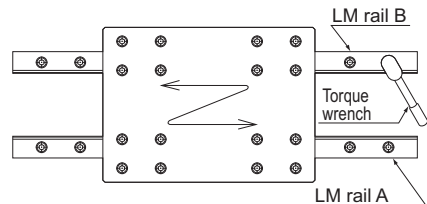


Fig.28

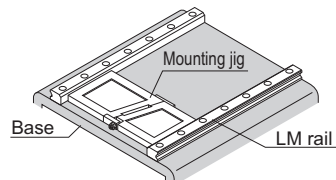


Fig.29



### [Procedure for Assembling Model JR]

#### ● Mounting the LM Rails

When two LM rails are to be used in parallel as shown in Fig.30, first secure one LM rail on the base, and place a dial gauge on the LM block. Then, place the pointer of the dial gauge on the side face and top face of the other LM rail to simultaneously adjust the parallelism and the level, thus to complete mounting the LM rails.

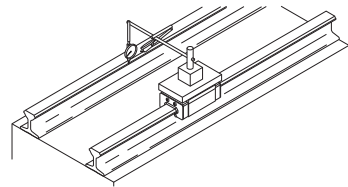


Fig.30

#### ● Jointing LM Rails

When two or more LM rails are to be jointed, a special metal fitting as shown in Fig.31 is available. For such applications, specify this fitting when ordering the LM Guide (the rail will be tapped for attaching a joint fitting).

##### Installation Procedure

- (1) Temporarily fasten the rail presser bolt.
- (2) Secure rail A and the joint fitting with bolts C and D.
- (3) Apply a dial gauge to side G of the joint between rails A and B. Adjust the left and right level differences using bolt E and set screw F on rail B.
  - If bolt E is tightened, rail B will move toward b side.
  - If set screw F is tightened, rail B will move toward a side.
- (4) When the adjustment using set screw F is finished, secure set screw F with the nut.
- (5) Adjust and secure the vertical direction using the rail presser.

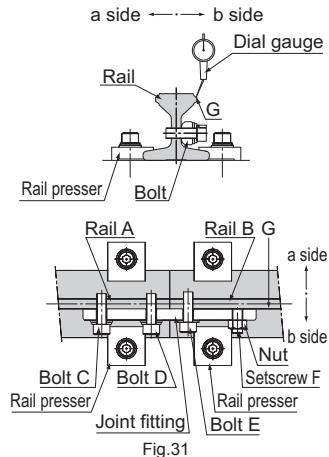


Fig.31

### ● Welding the LM Rail

When welding the LM rail, it is best to weld the LM rail while clamping it at the welding point with a small vice or the like as shown in Fig.32. For effective welding, we recommend the following welding conditions. (During welding the LM rail, take care to prevent spatter from contacting the LM rail raceway.)

[Welding conditions]

Preheating temperature: 200°C

Postheating temperature: 350°C

Note) If the temperature exceeds 750°C, the LM rail may be hardened again.

[For shielded metal arc welding]

Welding rod: LB-52 (Kobelco)

[For carbon dioxide arc welding]

Wire: YGW12

Electric current: 200A

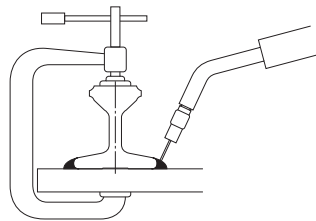


Fig.32

### [Procedure for Assembling Model HCR]

To install the LM rails of R Guide model HCR, we recommend having any form of datum point (such as a pin) on the reference side (inside) of the LM rail, and pressing the LM rail to the datum point then stopping the LM rail with a presser plate from the counter-reference surface.

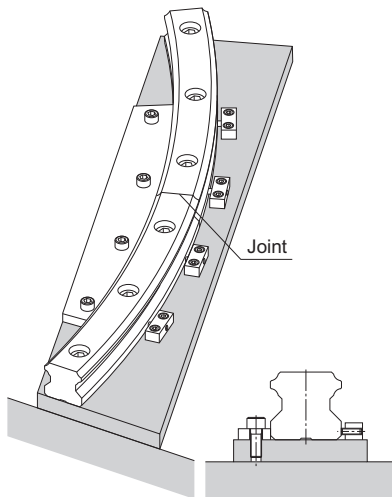


Fig.33 Method for Securing the LM Rails at the Joint

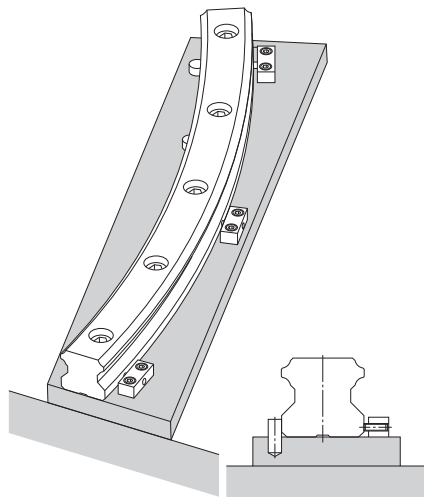


Fig.34 Method for Securing the LM Rail Using a Pin as a Datum Point

## Methods for Measuring Accuracy after Installation

### [When Measuring Running Accuracy for Single Rail Application]

When measuring running accuracy of the LM block, stable accuracy can be obtained by securing two LM blocks on an inspection plate, as shown in Fig.35. When using a dial gauge, we recommend placing the straight-edge as close as possible to the LM block in order to perform accurate measurement.

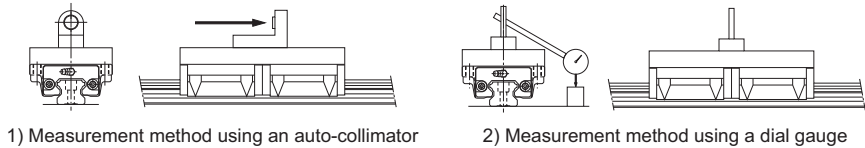


Fig.35 Methods for Measuring Accuracy after Installation

## Recommended Tightening Torque for LM Rails

With high-precision LM rails for the LM Guide, their raceways are ground and accuracy is inspected with the rails tightened with bolts. When mounting a high-precision LM rail on a machine, we recommend using the corresponding tightening torque indicated in Table1 or Table2

Table1 Tightening Torques when Pan Head Screws are Used  
Unit: N·cm

Screw model No.	Tightening torque	
	Not hardened	Hardened
M 2	17.6	21.6
M 2.3	29.4	35.3
M 2.6	44.1	52.9

Table2 Tightening Torques when Hexagonal-Socket-Head Type Bolts are Used  
Unit: N·cm

Screw model No.	Tightening torque		
	Steel	Cast Iron	Aluminum
M 2	58.8	39.2	29.4
M 2.3	78.4	53.9	39.2
M 2.6	118	78.4	58.8
M 3	196	127	98
M 4	412	274	206
M 5	882	588	441
M 6	1370	921	686
M 8	3040	2010	1470
M 10	6760	4510	3330
M 12	11800	7840	5880
M 14	15700	10500	7840
M 16	19600	13100	9800
M 20	38200	25500	19100
M 22	51900	34800	26000
M 24	65700	44100	32800
M 30	130000	87200	65200

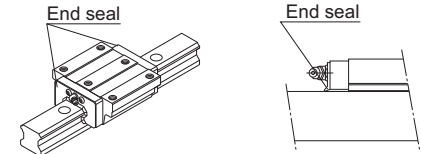
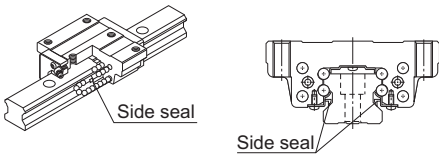
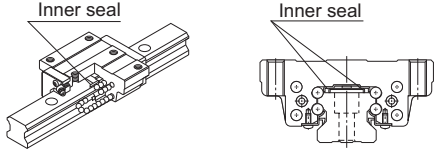
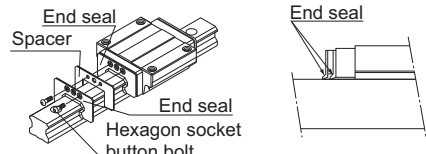
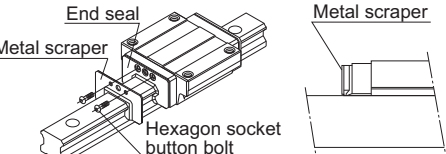


## LM Guide Options

<b>Options</b> .....	B 1-103
Seal and Metal scraper.....	B 1-104
Laminated Contact Scraper LaCS.....	B 1-106
Side Scraper.....	B 1-108
Protector .....	B 1-109
Light-Resistance Contact Seal LiCS .....	B 1-110
High Chemical Resistance Fluorine Seal FS..	B 1-111
Dedicated bellows .....	B 1-112
Dedicated LM Cover.....	B 1-112
Dedicated Cap for LM Rail Mounting Holes..	B 1-113
Plate Cover SV Steel Tape SP .....	B 1-115
QZ Lubricator.....	B 1-118
Lubrication Adapter.....	B 1-121
Removing/mounting Jig .....	B 1-122
End Piece EP .....	B 1-123
<b>Model No.</b> .....	B 1-124
• Model Number Coding.....	B 1-124
• Notes on Ordering.....	B 1-128
<b>Precautions on Use</b> .....	B 1-130
Precautions on Using the LM Guide.....	B 1-130
Precautions on Handling the LM Guide for Special Environment ..	B 1-132
• LM Guide for Medium-to-Low Vacuum .....	B 1-132
• Oil-Free LM Guide .....	B 1-132
Precautions on Using Options for the LM Guide ..	B 1-133
• QZ Lubricator for the LM Guide.....	B 1-133
• Laminated Contact Scraper LaCS, Side Scraper for LM Guides ..	B 1-133
• Light Contact Seal LiCS for LM Guides .....	B 1-134
• High Chemical Resistance Fluorine Seal FS for the LM Guide..	B 1-134
• Cap GC .....	B 1-134

# Seal and Metal scraper

- For the supported models, see the table of options by model number on [A1-478](#).
- For the LM block dimension (dimension L) with seal attached, see [A1-491](#) to [A1-498](#).
- For the maximum seal resistance, see [A1-504](#) to [A1-506](#).

Item name	Schematic diagram / mounting location	Purpose/location of use
End Seal		Used in locations exposed to dust
Side Seal		Used in locations where dust may enter the LM block from the side or bottom surface, such as vertical, horizontal and inverted mounts
Inner Seal		Used in locations severely exposed to dust or cutting chips
Double Seals		Used in locations exposed to much dust or many cutting chips
Metal Scraper (Non-contact)		Used in locations where welding spatter may adhere to the LM rail

## Options

## Seal and Metal scraper

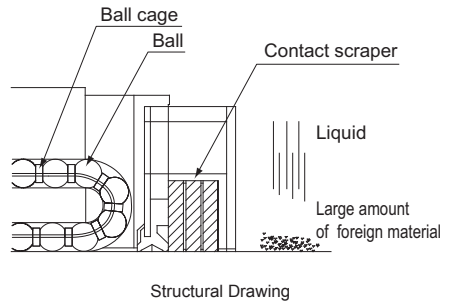
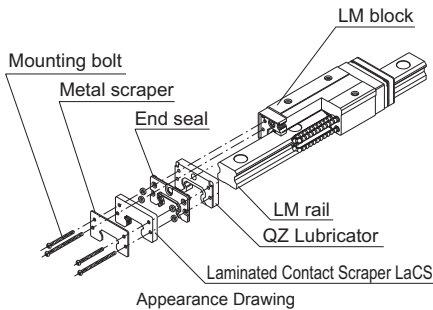
Symbol	Contamination Protection Accessories
UU	With end seal
SS	With end seal + side seal + inner seal*
DD	With double seals + side seal + inner seal*
ZZ	With end seal + side seal + inner seal* + metal scraper
KK	With double seals + side seal + inner seal* + metal scraper

\* Some models are not equipped with inner seals.(See **A1-478**)

# Laminated Contact Scraper LaCS

- For the supported models, see the table of options by model number on [A1-478](#).
- For the LM block dimension (dimension L) with LaCS attached, see [A1-491](#) to [A1-498](#).
- For the resistance of LaCS, see [A1-507](#).
- For notes regarding how to handle the LaCS, see [B1-133](#).

For locations with adverse environment, Laminated Contact Scraper LaCS is available. LaCS removes minute foreign material adhering to the LM rail in multiple stages and prevents it from entering the LM block with laminated contact structure (3-layer scraper).



## [Features]

- Since the 3 layers of scrapers fully contact the LM rail, LaCS is highly capable of removing minute foreign material.
- Since it uses oil-impregnated, foam synthetic rubber with a self-lubricating function, low friction resistance is achieved.

Symbol	Contamination Protection Accessories
SSHH	With end seal + side seal + inner seal* <sup>1</sup> + LaCS
DDHH	With double seals + side seal + inner seal * <sup>1</sup> + LaCS
ZZHH	With end seal + side seal + inner seal * <sup>1</sup> + metal scraper + LaCS
KKHH	With double seals + side seal + inner seal * <sup>1</sup> + metal scraper + LaCS
JJHH* <sup>2</sup>	With end seal + side seal + inner seal* <sup>1</sup> + LaCS + protector (serving also as metal scraper)
TTHH* <sup>2</sup>	With double seals + side seal + inner seal* <sup>1</sup> + LaCS + protector (serving also as metal scraper)

\*<sup>1</sup> Some models are not equipped with inner seals.(See [A1-478](#))

\*<sup>2</sup> JJHH and TTHH are only available for models SVR/SVS, NR/NRS-X and SRG.

Note) HH type (with LaCS) for models SVR/SVS, NR/NRS-X, and SRG comes with a protector (see [B1-109](#)). Contact THK if you want to use the Protector with other options.

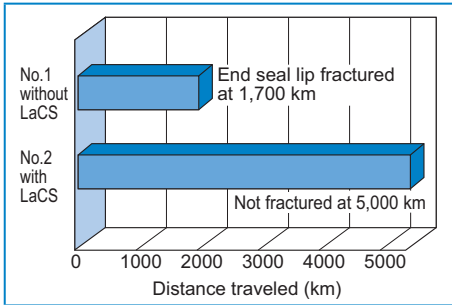


### ● Test under an Environment with a Water-soluble Coolant

[Test conditions] Test environment: water-soluble coolant

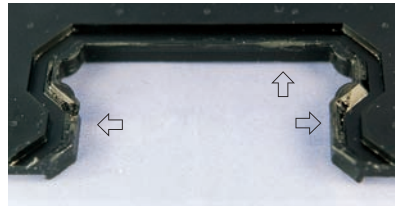
Item	Description	
Tested model	No.1	SHS45R1SS+3000L (end seal only)
	No.2	SHS45R1SSH+3000L (end seal and LaCS)
Maximum speed	200m/min	
Environmental conditions	Coolant sprayed: 5 time per day	

[Test result]



Magnified view of the end seal lip

No. 1: without LaCS - lip fractured at 1,700 km



↔ Areas marked with arrow are fractured

No. 2: with LaCS - no anomaly observed after traveling 5,000 km



Lip has not been fractured

### ● Test under an Environment with Minute Foreign Matter

[Test conditions] Test environment: minute foreign material

Item	Description	
Tested model	No.1	Caged Ball LM Guide #45R (DD+600L) double seals only
	No.2	Caged Ball LM Guide #45R (HH+600L) LaCS only
Max speed/acceleration	60m/min, 1G	
External load	9.6kN	
Foreign material conditions	Type: FCD450#115 (particle diameter: 125 μm or less)	
	Sprayed amount: 1g/1hour (total sprayed amount: 120 g)	

[Test result] Amount of foreign material entering the raceway

Seal configuration		Amount of foreign material entering the raceway g
Double-seal configuration (2 end seals superposed with each other)	Tested model 1	0.3
	Tested model 2	0.3
	Tested model 3	0.3
LaCS	Tested model 1	0
	Tested model 2	0
	Tested model 3	0

No. 1 Traveled 100 km (double-seal configuration)



Large amount of foreign matter has entered the raceway

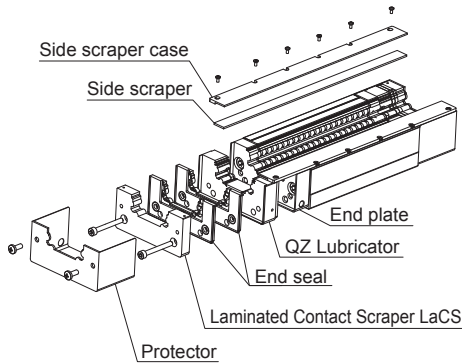
No. 2 Traveled 100 km (LaCS only)



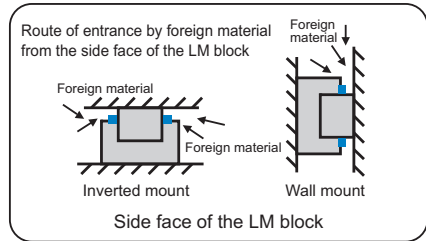
No foreign matter entering the raceway observed

# Side Scraper

- For the supported models: models SVR/SVS, NR/NRS-X and SRG
- For the resistance of side scraper, see [A1-508](#).
- For the LM block dimension (dimension L) with side scraper attached, see [A1-491](#).
- For notes regarding how to handle the side scraper, see [B1-133](#).



Outline view  
(Ex: in case of QZTTHYY type)



## [Features]

- Minimizes foreign material entering from the side of the LM Guide in a harsh environment.
- Demonstrates a dust protection effect in inverted or wall mount.

## Model number coding

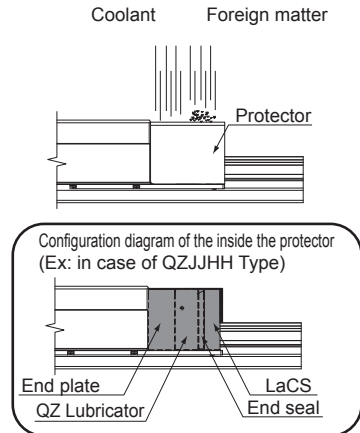
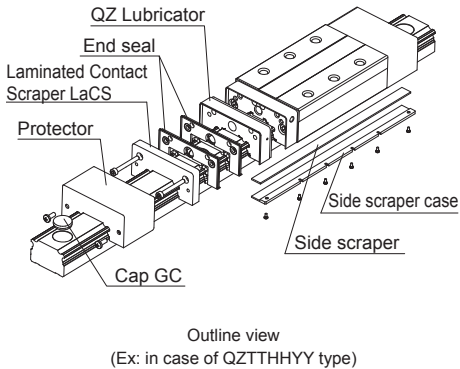
SVR45 LR 1 QZ JJHH YY C1 +1200L

With side scraper\*

\* The side scraper can accommodate various options of dust control accessories and lubrication accessories. For details, contact THK.

# Protector

- Applicable models: models SVR/SVS, NR/NRS-X and SRG
- HH type (with LaCS) for models SVR/SVS, NR/NRS-X and SRG is provided with the protector.
- For the LM block dimension (dimension L) with protector attached, see [A1-491](#).



## [Features]

- The protector minimizes the entrance of foreign material even in harsh environments where foreign material such as fine particles and liquids are present.

Note1) Those models equipped with QZ Lubricator cannot have a grease nipple. When desiring a grease nipple for a model attached with QZ, contact THK.

Note2) Contact THK if you want to use the protector with other options.

# Light-Resistance Contact Seal LiCS

- For the supported models, see the table of options by model number on [A1-478](#).
- For the LM block dimension (dimension L) with LiCS attached, see [A1-501](#).
- For the resistance of LiCS, see [A1-508](#).
- For notes regarding how to handle the LiCS, see [B1-134](#).

LiCS is a light sliding resistance contact seal. It is effective in removing dust on the raceway and retaining a lubricant such as grease. It achieves extremely low drag and smooth, stable motion.

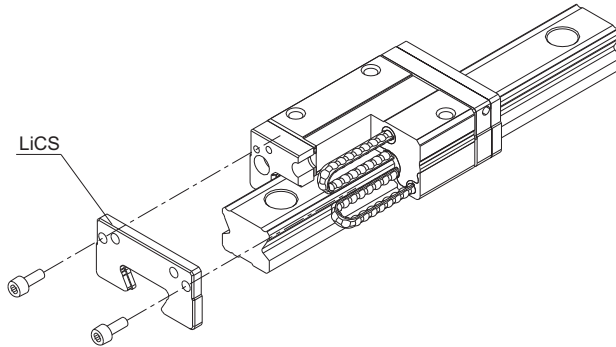


Fig.1 Structural Drawing of SSR + LiCS

## [Features]

Light-Resistance Contact Seal LiCS is a seal that uses a light-resistance material in its sealing element and contacts the LM rail raceway to achieve low drag resistance. It is optimal for applications where low drag resistance is required, such as semiconductor-related devices, inspection devices and OA equipment all of which are used in favorable environments.

- Since the sealing element contacts the LM rail raceway, it is effective in removing dust on the raceway.
- Use of oil-impregnated, expanded synthetic rubber, which has excellent self-lubricating property, achieves low drag resistance.

## Model number coding

<b>SSR20</b>	<b>XW</b>	<b>2</b>	<b>GG</b>	<b>C1</b>	<b>+600L</b>	<b>P</b>	<b>-II</b>
LM Guide model number	Type of LM block	No. of LM blocks used on the same rail	With LiCS seal on both ends	Radial clearance symbol Normal (No symbol) Light preload (C1) Medium preload (C0)	LM rail length (in mm)	Symbol for No. of rails used on the same plane	Accuracy symbol Normal grade (No Symbol) / High accuracy grade (H) Precision grade (P) / Super precision grade (SP) Ultra precision grade (UP)

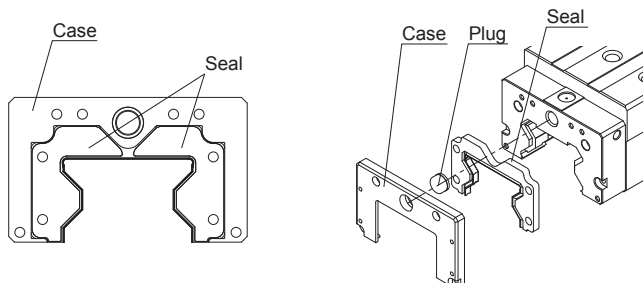
Symbol	Contamination Protection Accessories
GG	LiCS
PP	With LiCS + side seal + inner seal*

\* Some models are not equipped with inner seals. (See [A1-478](#))

# High Chemical Resistance Fluorine Seal FS

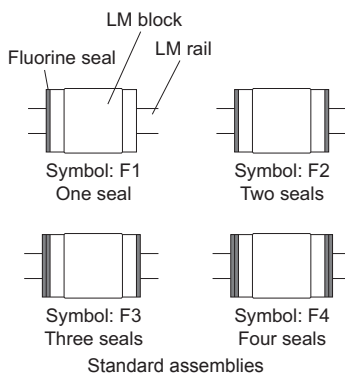
- Applicable models: models SRG35, SRG45, SRG55 and SRG65
- For the LM block dimension (L dimension) with a fluorine seal attached, see [■1-503](#).
- For the resistance value of the fluorine seal, see [■1-508](#).
- For precautions on using the fluorine seal, see [■1-134](#).

The fluorine seal is made of fluororubber and has excellent chemical resistance.  
The fluorine seal can be inserted from the upper surface of the LM rail and is easy to install.



Components/Structure

Symbol	Contamination Protection Accessories
F2	Fluorine seals + side seals + inner seals
FZ2	Fluorine seals + side seals + inner seals + metal scrapers
FJ2	Fluorine seals + side seals + inner seals + protectors
F4	Fluorine seals (double) + side seals + inner seals
FZ4	Fluorine seals (double) + side seals + inner seals + metal scrapers
FJ4	Fluorine seals (double) + side seals + inner seals + protectors
QZF2	Fluorine seals + side seals + inner seals + QZ
QZFZ2	Fluorine seals + side seals + inner seals + metal scrapers + QZ
QZPJ2	Fluorine seals + side seals + inner seals + QZ + protectors
QZP4	Fluorine seals (double) + side seals + inner seals + QZ
QZPZ4	Fluorine seals (double) + side seals + inner seals + metal scrapers + QZ
QZPJ4	Fluorine seals (double) + side seals + inner seals + QZ + protectors



## Model number coding

<When purchasing in a set with an LM Guide>

(Example) SRG45LR2QZ F2 C0 + 1200LZ-II

Fluorine seal symbol (see the standard assemblies diagram)

\*Contact THK if you require seals on individual blocks in configurations that differ from those in the standard assemblies diagram.

<When purchasing fluorine seals individually>

(Example) SRG45-F1-Z

Fluorine seal symbol (F1 only for individual purchase)

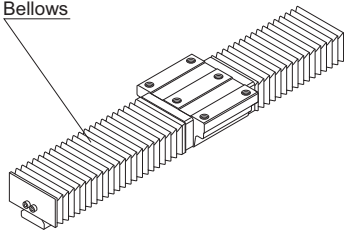
\*Individual purchases come in a set with the fluorine seal, a case, and a plug.

Note1) If this product will be used in special environments, such as in a vacuum or at very low or high temperatures, contact THK.

Note2) This seal cannot be used in combination with an end seal or a Laminated Contact Scraper (LaCS).

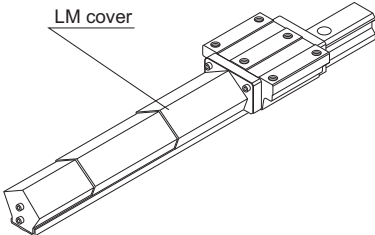
## Dedicated bellows

- For the supported models, see the table of options by model number on [A1-478](#).
- For the dedicated bellows dimensions, see [A1-520](#) to [A1-531](#).

Item name	Schematic diagram / mounting location	Purpose/location of use
<b>Dedicated Bellows</b>		<p>Used in locations exposed to dust or cutting chips</p>

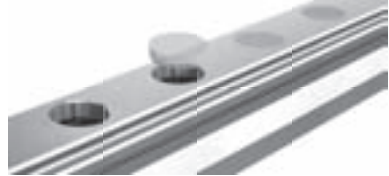
## Dedicated LM Cover

- For the supported models, see the table of options by model number on [A1-478](#).
- For the dedicated LM cover dimensions, see [A1-533](#).

Item name	Schematic diagram / mounting location	Purpose/location of use
<b>Dedicated LM Cover</b>		<p>Used in locations exposed to dust or cutting chips Used in locations where high temperature foreign material such as flying spatter</p>

# Dedicated Cap for LM Rail Mounting Holes

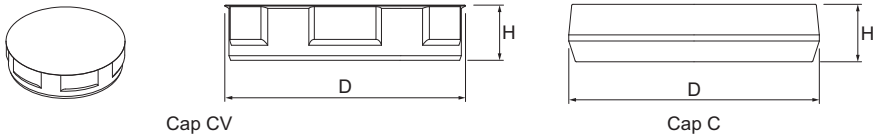
Using dedicated caps to cover the LM rail mounting holes helps prevent foreign material from entering the mounting holes and LM block.



## ● Cap CV/Cap C

The caps are made of a special synthetic resin.

The CV cap is the successor to the C cap, and its new structure makes it easier to insert.



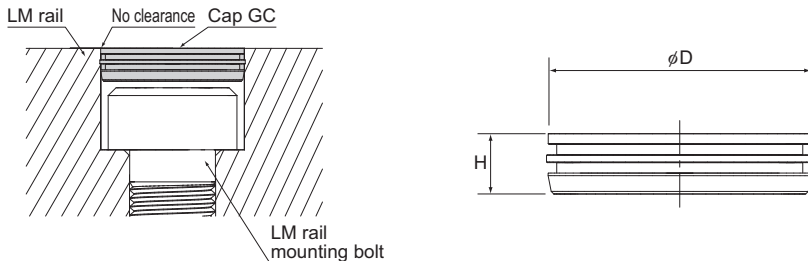
Note1) Contact THK if this product will be used in special environments such as in a vacuum, at very low or high temperatures, or with coolants or corrosive solvents.

Note2) CV caps and C caps must be arranged separately from the LM Guide.

## ● Cap GC

GC caps are made of metal. (They are RoHS compliant.)

GC caps adhere closer to the counterbore than CV caps and C caps, so there is no clearance once they are inserted.



Note1) GC caps are only sold with LM Guides. They are not sold separately.  
The LM Guide model number code will have "GC" at the end when it is delivered.

(Example 1) Multiple axes: SVR45LR+1200L - II GC

GC caps attached

Symbol for No. of rails used on the same plane (2 axes)

(Example 2) One axis: SVR45LR+1200L GC

GC caps attached

Note2) GC caps cannot be used with LM rails that are made of stainless steel or rails that have undergone surface treatment.

Note3) LM rail mounting holes for GC caps are special. (The mouth is not chamfered.)

Note4) Be careful not to injure your hand when inserting GC caps.

Note5) Be sure to make the GC caps level with the upper surface of the LM rail and clean (wipe) that surface after insertion.

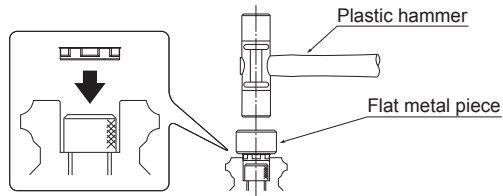
Note6) If this product will be used in special environments, such as in a vacuum or at very low or high temperatures, contact THK.

### ● Guidelines for use in extreme environments

Extreme environment		Cap C Cap CV	GC cap	Example of use
Foreign matter concentration: Low	Metal powder, sputtering	○	◎	Welding machines, robots
	Wood shavings, coolant (Environments that strip away oils)	○	◎	Woodworking machinery, washers
	Metal powder + coolant	○	◎	Lathes, machining centers
Foreign matter concentration: High	Metal powder, sputtering	△	◎	Welding machines, robots
	Wood shavings, coolant (Environments that strip away oils)	△	◎	Woodworking machinery, washers
	Metal powder + coolant	△	◎	Lathes, machining centers

◎: Particularly effective ○: Effective △: Not particularly effective

### ● Cap insertion method



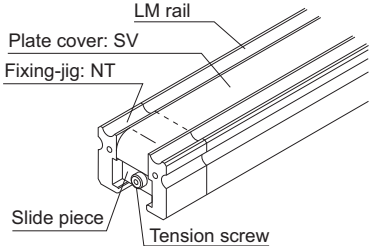
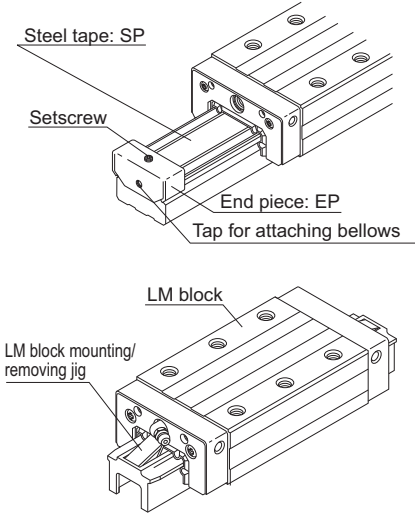
For best performance, caps must be inserted so that they are level with the rail surface. Have a flat aligning fitting and plastic hammer available.

- ① Set the cap on the LM rail mounting hole and place the alignment fitting on top.
- ② Use the plastic hammer to gradually drive the cap in until it is level with the upper surface of the LM rail.
- ③ As necessary, remove any slight burrs that appear.



# Plate Cover SV Steel Tape SP

● For the supported models, see the table of options by model number on [B1-478](#).

Item name	Schematic diagram / mounting location	Purpose/location of use
Plate Cover SV		<p>For the LM Guide, steel tapes are available as a means of contamination protection for machine tools. By covering the LM rail mounting holes with an ultra-thin stainless steel (SUS304) plate, the plate cover SV drastically increases sealability, thus to prevent the penetration of a coolant or cutting chips from the top face of the LM rail.</p> <p>For the mounting method, see <a href="#">B1-116</a>.</p> <p>Note) When mounting the plate cover, the LM rail needs to be machined. Indicate that the plate cover is required when ordering the LM Guide.</p>
Steel Tape SP		<p>For the LM Guide, steel tapes are available as a means of contamination protection for machine tools. By covering the LM rail mounting holes with an ultra-thin stainless steel (SUS304) plate, the steel tape SP drastically increases sealability, thus to prevent the penetration of a coolant or cutting chips from the top face of the LM rail. (When mounting the steel tape, end piece EP can be used as a means to secure the cover.)</p> <p>For the mounting method, see <a href="#">B1-117</a>.</p> <p>Note) When mounting the steel tape, the LM rail needs to be machined. Indicate that the steel tape is required when ordering the LM Guide.</p>

### [Mounting Procedure for Plate Cover SV]

- (1) Attach slide pieces to the plate cover.

Place the slide pieces on the plate cover with their chamfered sides facing outward, hold the plate cover with the slide pieces and the securing plates, and then secure them with countersunk screws.

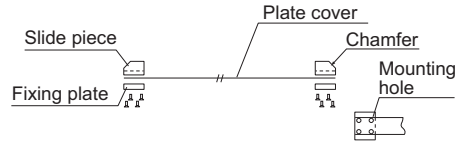


Fig.1

- (2) Use an LM block mounting/removing jig to remove the LM block from the LM rail, and then mount the fixing-jigs onto the LM rail.

- (3) Temporarily secure either slide piece.

Insert either slide piece into one of the fixing-jigs, then attach the slide piece to the LM rail's end face using the tension adjustment bolt and gently secure the bolt until the bolt head is inside the fixing-jig.



Fig.2

- (4) Temporarily secure the other slide piece.

Temporarily secure the other slide piece in the same manner as above.

- (5) Apply tension to the plate cover.

Apply tension to the plate cover by evenly securing the tension adjustment bolts on both ends of the LM rail. Make sure there is only a small difference between the H and H' dimensions in Fig.5. If the difference is too large, there may be no interference left on either end.

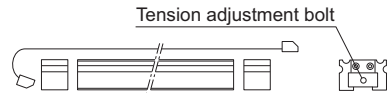


Fig.3

- (6) Mount the LM block on the LM rail.

Identify the reference surface of the LM rail and the LM block, then insert the LM rail into the LM block using the LM block mounting / removing jig.



Fig.4

Note1) When removing or the mounting the LM block, use much care not to let the balls fall off.

Note2) The plate cover is an ultra-thin stainless steel (SUS304) plate. When handling it, use much care not to bend it.

Note3) The plate cover is available for model NR/NRS 75.



Fig.5

**[Mounting Procedure for Steel Tape SP]**

- (1) Use an LM block mounting/removing jig to remove the LM block from the LM rail.
- (2) Thoroughly degrease and clean the top face of the LM rail, to which the steel tape is to be adhered. For degreasing, use an adequately volatile detergent (e.g., industrial alcohol).
- (3) Carefully adhere the steel tape from the end with care not to let it bend or sag, while gradually peeling the release paper from the steel tape.
- (4) Have the steel tape settle on the rail by rubbing the tape. The adhesive strength increases with time. The adhering tape can be peeled off by pulling its end upward.
- (5) Mount the LM block onto the LM rail using the LM block mounting/removing jig.
- (6) Attach the end pieces on both ends of the LM rail and further secure the steel tape. When securing the end pieces, fasten only the setscrew on the top face of each end piece.

(The tap on the end face of the end piece is used for mounting bellows.)

Note1) The setscrew on the side face is used to lightly secure the bent steel tape. Be sure to stop fastening the screw as soon as it hits the end face, and do not force the screw further.

Note2) Since the steel tape is a thin steel plate, mishandling it may cause an accident such as cutting your finger. When handling it, take an effective safety measure such as wearing rubber gloves.

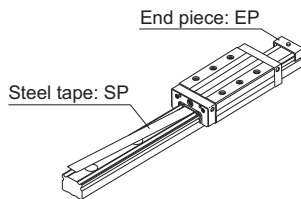


Fig. 6

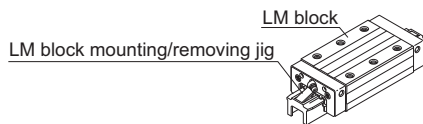


Fig. 7

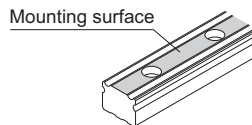


Fig. 8

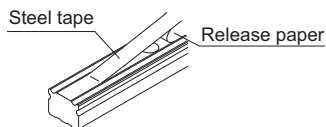


Fig. 9

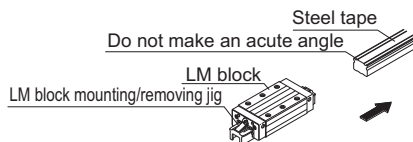


Fig. 10

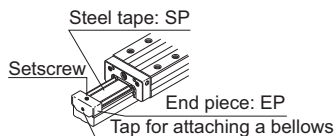


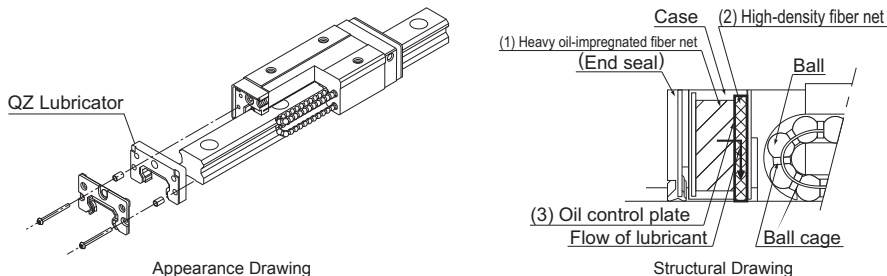
Fig. 11

# QZ Lubricator

- For the supported models, see the table of options by model number on [A1-478](#).
- For the LM block dimension with QZ attached, see [A1-512](#) to [A1-515](#).
- For notes regarding how to handle the QZ, see [B1-133](#).

QZ Lubricator feeds the right amount of lubricant to the raceway on the LM rail. This allows an oil film to continuously be formed between the rolling element and the raceway, and drastically extends the lubrication and maintenance intervals.

The structure of QZ Lubricator consists of three major components: (1) a heavy oil-impregnated fiber net (function to store lubricant), (2) a high-density fiber net (function to apply lubricant to the raceway) and (3) an oil-control plate (function to adjust oil flow). The lubricant contained in QZ Lubricator is fed by the capillary phenomenon, which is used also in felt pens and many other products, as the fundamental principle.



## [Features]

- Since it supplements an oil loss, the lubrication maintenance interval can be significantly extended.
- Eco-friendly lubrication system that does not contaminate the surrounding area since it feeds the right amount of lubricant to the ball raceway.

Symbol	Contamination Protection Accessories
QZUU	With end seal + QZ
QZSS	With end seal + side seal + inner seal* <sup>1</sup> + QZ
QZDD	With double seals + side seal + inner seal* <sup>1</sup> + QZ
QZZZ	With end seal + side seal + inner seal* <sup>1</sup> + metal scraper + QZ
QZKK	With double seals + side seal + inner seal* <sup>1</sup> + metal scraper + QZ
QZGG	With LiCS + QZ
QZPP	With LiCS + side seal + inner seal* <sup>1</sup> + QZ
QZSSH	With end seal + side seal + inner seal* <sup>1</sup> + LaCS + QZ
QZDDH	With double seals + side seal + inner seal* <sup>1</sup> + LaCS + QZ
QZZZH	With end seal + side seal + inner seal* <sup>1</sup> + metal scraper + LaCS + QZ
QZKHH	With double seals + side seal + inner seal* <sup>1</sup> + metal scraper + LaCS + QZ
QZJHH* <sup>2</sup>	With end seal + side seal + inner seal* <sup>1</sup> + LaCS + QZ + protector (serving also as metal scraper)
QZTTHH* <sup>2</sup>	With double seals + side seal + inner seal* <sup>1</sup> + LaCS + QZ + protector (serving also as metal scraper)

\*1 Some models are not equipped with inner seals. (See [A1-478](#))

\*2 QZJHH and QZTTHH are available only for models SVR/SVS, NR/NRS-X and SRG.

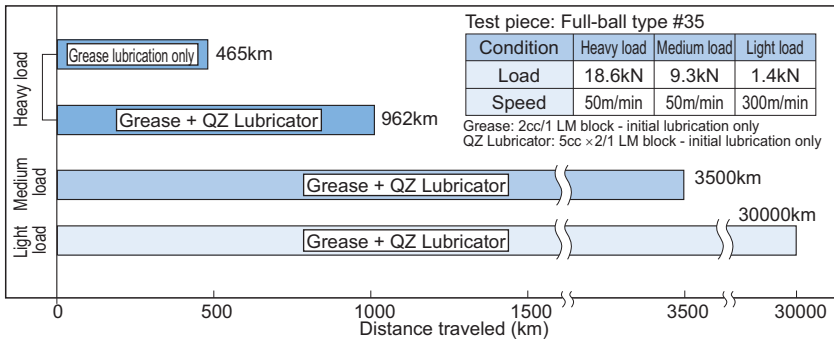
Note1) HH type (with LaCS) for models SVR/SVS, NR/NRS-X, and SRG comes with a protector (see [B1-109](#)).

Contact THK if you want to use the Protector with other options.

Note2) Those models equipped with QZ Lubricator cannot have a grease nipple. When desiring a grease nipple for a model attached with QZ, contact THK.

### ● Significantly Extended Maintenance Interval

Attaching QZ Lubricator helps extend the maintenance interval throughout the whole load range from the light load area to the heavy load area.

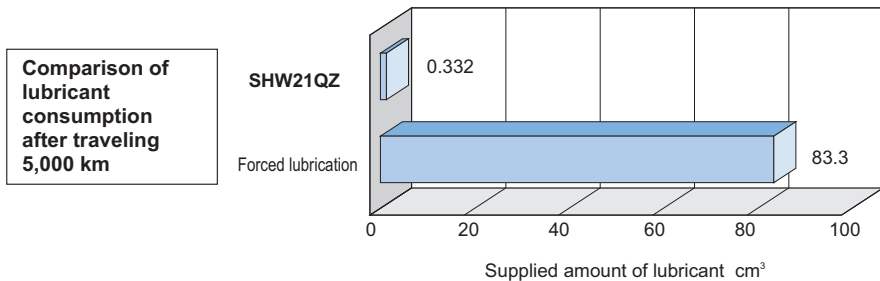


LM Guide Running Test without Replenishment of Lubricant

### ● Effective Use of Lubricant

Since the lubricator feeds the right amount of lubricant to the ball raceway, lubricant can be used efficiently.

[Test conditions] speed: 300 m/min



Amount of oil contained in QZ Lubricator  
0.166cm<sup>3</sup>/ 2 units  
(attached to both ends of the LM block)  
=0.332cm<sup>3</sup>



Forced lubrication  
0.03cm<sup>3</sup>/6min × 16667min  
=83.3cm<sup>3</sup>

Lubricant consumption is 1/250 less than forced lubrication.

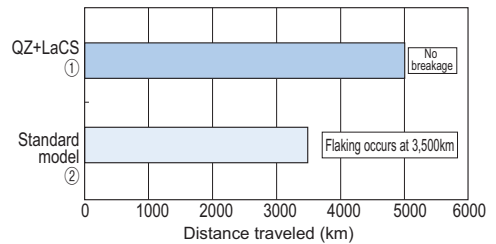
### ● Effective in Helping Lubrication under Severe Environments

A 5,000 km durability test was conducted under severe environments (containing coolant and contaminated environment).

[Test conditions]

Model No.	① Caged Ball LM Guide #45	② Full-ball type #45
Load	8kN	6kN
Speed	60m/min	
Coolant	Immersed 48 hrs, dried 96 hrs	
Foreign material	Foundry dust (125 μm or less)	
Lubrication	AFA Grease + QZ	Super Multi 68 Oiling cycle: 0.1cc/shot Periodically lubricated every 16 min

[Test result]



\* When using the LM system under severe environment, use QZ Lubricator and Laminated Contact Scraper LaCS (see "Laminated Contact Scraper LaCS" on [B1-106](#)) in combination.

# Lubrication Adapter

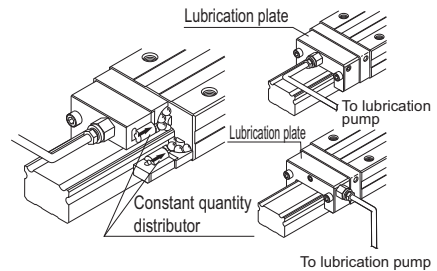
An oil lubricant-only lubrication adapter is available for models NR/NRS.

Even if the LM Guide is installed in an orientation where oil lubrication is difficult, such as wall mount and inversed mount, the adapter is capable of feeding a constant quantity of lubricant to the four raceways.

## [Features]

The dedicated lubrication adapter for models NR-NRS is built in with a constant quantity distributor. Therefore, the adapter can accurately feed a constant quantity of lubricant to each raceway regardless of the mounting orientation. The adapter is economical since it is capable of constantly feeding the optimum amount of lubricant and helping eliminate the supply of surplus lubricant.

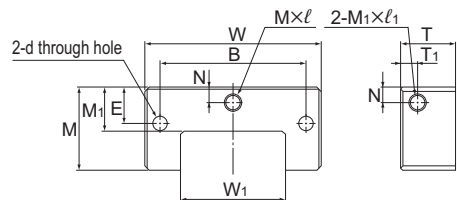
To provide pipe arrangement, simply connect an intermittent lubrication pump widely used for ordinary machine tools to the greasing holes (M8) on the front and the side of the lubrication adapter.



Structural Drawing

## [Specifications]

Viscosity range of lubricant used	32 to 64 mm <sup>2</sup> /s recommended
Discharge	0.03 × 4, 0.06 × 4cc/1 shot
Diameter of pipe connected	φ4, φ6
Material	Aluminum alloy



## Removing/mounting Jig

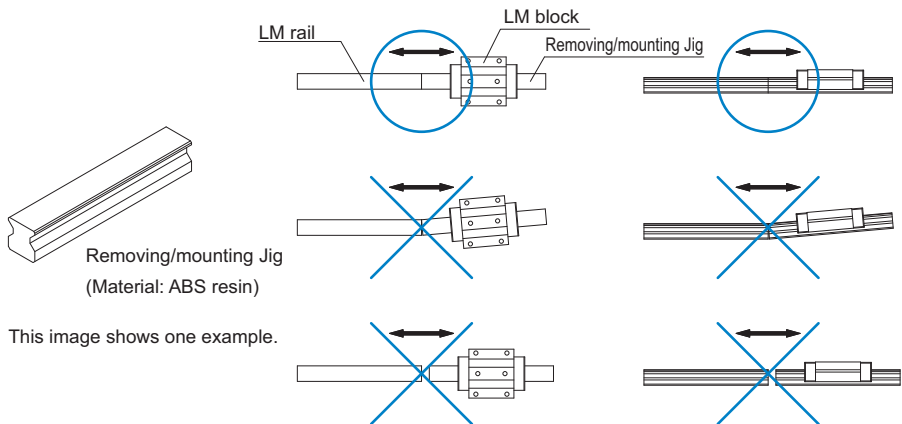
When assembling the guide, do not remove the LM block from the LM rail whenever possible. If it is inevitable to remove the LM block due to the plate cover type or the assembly procedure, be sure to use the removing/mounting jig.

Mounting the LM block without using the removing/mounting jig may cause rolling elements to fall from the LM block due to contamination by foreign material, damage to internal components or slight inclination. Mounting the LM block with some of the rolling elements missing may also cause damage to the LM block at an early stage.

When using the removing/mounting jig, do not incline the jig and match the ends of both LM rails.

If any of the rolling elements falls from the LM block, contact THK instead of using the product.

Note that the removing/mounting jig is not included in the LM Guide package as standard. When desiring to use it, contact THK.





# End Piece EP

For those models whose balls may fall if the LM rail is pulled out of the LM block, an end piece is attached to the product to prevent the LM block from being removed from the LM rail.

For models that can use the end piece, see the table below.

If removing the end piece when using the LM Guide, be sure that the LM block will not overshoot.

The end piece can also be used as a fixing jig for a steel tape, and is available also for the LM rail of models SSR, SR and HSR.

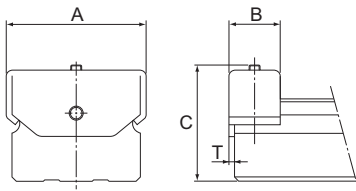


Fig.1 End Piece EP for Models NR/NRS

## Model Number Coding

Model number configurations differ depending on the model features. Refer to the corresponding sample model number configuration.

### [LM Guide]

- Models SHS, SSR, SVR/SVS, SHW, HSR, SR, NR/NRS-X, NR/NRS, HRW, JR, NSR-TBC, HSR-M1, SR-M1 and HSR-M2

SHS25	LC	2	QZ	KKHH	C0	F	S	+1200L	P	Z	T	F	S	-II
Model No.	Type of LM block	With QZ Lubricator	Contamination protection accessory symbol (*1)				LM rail length (in mm)			Symbol for LM rail jointed use			Symbol for No. of rails used on the same plane (*5)	
	No. of LM blocks used on the same rail	Radial clearance symbol (*2)	Normal (No symbol)			LM block special feature symbol	Standard (No Symbol)/E/S			With steel tape			LM rail special feature symbol	
		Light preload (C1)	Medium preload (C0)		LM block with surface treatment (*3)		Accuracy symbol (*4)					LM rail with surface treatment (*3)		
							Normal grade (No Symbol)							
							High accuracy grade (H)							
							Precision grade (P)							
							Super precision grade (SP)							
							Ultra precision grade (UP)							

(\*1) See contamination protection accessory on **A1-516**. (\*2) See **A1-71**.

(\*3) See **B0-20**. (\*4) See **A1-76**. (\*5) See **A1-13**.

Note1) This model number indicates that a single-rail unit constitutes one set. (i.e., required number of sets when 2 rails are used in parallel is 2 at a minimum.)

Those models equipped with QZ Lubricator cannot have a grease nipple. When desiring a grease nipple for a model attached with QZ, contact THK.

Note2) Contact THK for details about the special features of LM blocks and LM rails.

### ● Model EPF

EPF7M	16	+55L	P	M
Model No.	LM rail length (in mm)		Rail material: Stainless steel (standard)	
	Guaranteed stroke (in mm)		Accuracy symbol (*1)	

(\*1) See **A1-86**.

Note) This model number indicates that a single-rail unit constitutes one set.

## [Caged Roller LM Guide]

## ● Models SRG, SRN, and SRW

SRG45	LC	2	QZ	TTHH	C0	F	S	+1200L	P	Z	T	F	S	-II
Model No.	Type of LM block		With QZ Lubricator	Contamination protection accessory symbol (*1)				LM rail length (in mm)				Symbol for LM rail jointed use		Symbol for No. of rails used on the same plane (*5)
No. of LM blocks used on the same rail			Radial clearance symbol (*2) Normal (No symbol) Light preload (C1) Medium preload (C0)				LM block special feature symbol Standard (No Symbol)/E/S				With plate cover		LM rail special feature symbol Standard (No Symbol)/E/S	
						LM block with surface treatment (*3)		Accuracy symbol (*4) High accuracy grade (H) Precision grade (P) Super precision grade (SP) Ultra precision grade (UP)					LM rail with surface treatment (*3)	

(\*1) See contamination protection accessory on **A1-516**. (\*2) See **A1-71**.  
(\*3) See **B0-20**. (\*4) See **A1-76**. (\*5) See **A1-13**.

Note1) Models SRG35 to 65 are available in high accuracy grade and above. Other models are only available in precision grade or above. (Normal grade is not available.)

Models SRN and SRW are available in precision grade or above. (Normal and H grade are not available.)

Note2) This model number indicates that a single-rail unit constitutes one set. (i.e., required number of sets when 2 rails are used in parallel is 2 at a minimum.)

Those models equipped with QZ Lubricator cannot have a grease nipple. When desiring a grease nipple for a model attached with QZ, contact THK.

Note3) Contact THK for details about the special features of LM blocks and LM rails.

## [Miniature Type LM Guide]

## ● Models SRS, RSX, RSR, and RSR-M1

2	SRS20M	QZ	UU	C1	F	S	+220L	P	M	F	S	-II
Model No.		With QZ Lubricator	Contamination protection accessory symbol (*2)				LM rail length (in mm)		Stainless steel LM rail			Symbol for No. of rails used on the same plane (*6)
No. of LM blocks used on the same rail (*1)			Radial clearance symbol (*3) Normal (No symbol) Light preload (C1)			LM block with surface treatment (*4)		Accuracy symbol (*5) Normal grade (No Symbol) High accuracy grade (H) Precision grade (P)			LM rail with surface treatment (*4)	LM rail special feature symbol Standard (No Symbol)/E/S

(\*1) No symbol for 1 LM block. (\*2) See contamination protection accessories on **A1-516**.  
(\*3) See **A1-71**. (\*4) See **B0-20**. (\*5) See **A1-76**. (\*6) See **A1-13**.

Note1) This model number indicates that a single-rail unit constitutes one set. (i.e., required number of sets when 2 rails are used in parallel is 2 at a minimum.)

Those models equipped with QZ Lubricator cannot have a grease nipple. When desiring a grease nipple for a model attached with QZ, contact THK.

Note2) Contact THK for details about the special features of LM blocks and LM rails.

## [Cross LM Guide]

## ● Models SCR, CSR, and MX

4	SCR25	QZ	KKHH	C0	+1200/1000L	P
Model No.						
Total No. of LM blocks	With QZ Lubricator		Radial clearance symbol (*2) Normal (No symbol)/Light preload (C1) Medium preload (C0)		LM rail length on the X axis (in mm)	LM rail length on the Y axis (in mm)
						Accuracy symbol (*3) Precision grade (P)/Super precision grade (SP) Ultra precision grade (UP)

(\*1) See contamination protection accessory on **A1-516**. (\*2) See **A1-71**. (\*3) See **A1-76**.

Note) Those models equipped with QZ Lubricator cannot have a grease nipple. When desiring a grease nipple for a model attached with QZ, contact THK.

## [Separate LM Guides]

### ● Model HR

**2 HR2555 UU M +1000L P T M**

2	HR2555	UU	M	+1000L	P	T	M
Model No.	Contamination protection accessory symbol (*1)	LM rail length (in mm)	Symbol for LM rail jointed use	Stainless steel LM rail			
No. of LM blocks used on the same rail	Stainless steel LM block	Accuracy symbol (*2)	Normal grade (No Symbol)/High accuracy grade (H)/Precision grade (P) Super precision grade (SP)/Ultra precision grade (UP)				

(\*1) See contamination protection accessory on **A1-516**. (\*2) See **A1-76**.

Note) One set of model HR means a combination of two LM rails and an LM blocks used on the same plane.

### ● Model GSR

#### ● LM block

**GSR25 T UU**

GSR25	T	UU
Model number	Contamination protection accessory symbol (*1)	Type of LM block

#### ● LM rail

**GSR25 -1060L H K**

GSR25	-1060L	H	K
Model number	LM rail length (in mm)	Accuracy symbol (*2)	Symbol for tapped-hole LM rail type
		Normal grade (No Symbol) High accuracy grade (H) Precision grade (P)	

(\*1) See contamination protection accessory on **A1-516**. (\*2) See **A1-76**.

#### ● Combination of LM rail and LM block

**GSR25 T 2 UU +1060L H T K**

GSR25	T	2	UU	+1060L	H	T	K
Model No.	Type of LM block	Contamination protection accessory symbol (*1)	LM rail length (in mm)	Symbol for LM rail jointed use	Symbol for tapped-hole LM rail type		
No. of LM blocks used on the same rail		Accuracy symbol (*2)	Normal grade (No Symbol)/High accuracy grade (H)/Precision grade (P)				

(\*1) See contamination protection accessory on **A1-516**. (\*2) See **A1-76**.

Note) One set of model GSR: This model number indicates that a single-rail unit constitutes one set.

## [R Guide]

### ● Model HCR

**HCR25A 2 UU C1 +60 / 1000R H 6 T**

HCR25A	2	UU	C1	+60 / 1000R	H	6	T
Model No.	Contamination protection accessory symbol (*1)	R-Guide center angle	LM rail radius (in mm)	Symbol for LM rail jointed use (*5)			
No. of LM blocks used on the same rail	Radial clearance symbol (*2)	Accuracy symbol (*3)	Number of LM rail joints used on one axis (*4)				
	Normal (No symbol)/Light preload (C1)	Normal grade (No Symbol)/High accuracy grade (H)					

(\*1) See **A1-516** (contamination protection accessories). (\*2) See **A1-71**. (\*3) See **A1-76**.

(\*4) Number of LM rails used on one arc. Contact THK for details.

(\*5) When using joined LM rails, the dust prevention seal must be a low-resistance seal (dust prevention code: LL).

## [Straight-Curved Guide]

## ● Model HMG

							When 2 rails are used
<b>HMG15A</b>							<b>2 UU C1 +1000L T + 60/150R 6T + 60/300R 6T - II</b>
Model No.	Contamination protection accessory symbol (*1)	Overall linear LM rail length per rail	Center angle of one inner curved rail	No. of inner curved LM rails jointed	Radius of outer curved rail	Symbol for No. of rails used on the same plane (*2)	
No. of LM blocks used on the same rail	Radial clearance symbol Normal (No symbol)/Light preload (C1)	Symbol for linear LM rail joint	Radius of inner curved rail	Center angle of one outer curved rail	No. of outer curved LM rails jointed		

(\*1) See contamination protection accessory on **A1-516**. (\*2) See **A1-13**.

Note) This model number denotes one set consists of an LM block and LM rail. (i.e. If you are using 2 shafts, the required number of sets is 2.)

The standard Model HMG does not have a seal. To attach a seal, make sure to specify a straight-curved seal (code: UU).

## [LM Guide for Medium-to-Low Vacuum]

## ● Model HSR-M1VV

<b>HSR15M1R 1 VV C1 +400L P - II</b>			
Model No.	Radial clearance symbol (*1)	Symbol for No. of rails used on the same plane (*4)	
No. of LM blocks used on one rail	Labyrinth seal symbol (*2)	Accuracy symbol (*3)	
		LM rail length (in mm)	

(\*1) See **A1-71**. (\*2) See **A1-393**. (\*3) See **A1-76**. (\*4) See **A1-13**.

Note1) The radial clearance, maximum LM rail length and accuracy class are equal to that of model HSR.

Note2) With this model, a single-rail unit constitutes one set (i.e., the required number of sets when 2 rails are used in parallel is 2).

## [Oil-Free LM Guide for Special Environments]

## ● Model SR-MS

<b>SR15MSV 1 CS +340L P - II</b>			
Model No.	Radial clearance symbol (*1)	Symbol for No. of rails used on the same plane (*3)	
No. of LM blocks used on one rail		Accuracy symbol (*2)	
		LM rail length (in mm)	

(\*1) See **A1-71**. (\*2) See **A1-76**. (\*3) See **A1-13**.

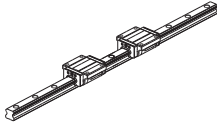
Note) With this model, a single-rail unit constitutes one set (i.e., the required number of sets when 2 rails are used in parallel is 2).

## Notes on Ordering

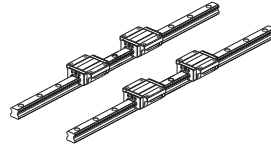
### [Order units]

Note that the number of items that constitute one set differs depending on the type of LM guide. Check the sample model number configurations and the accompanying notes.

#### ● Sample LM guide orders

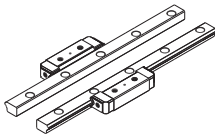


SHS25C2SSC1+640L 1 set



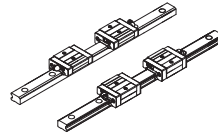
SHS25C2SSC1+640L-II 2 sets

#### ● Sample model HR orders



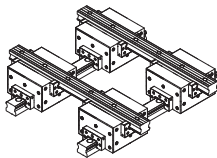
HR2555UU+600L 1 set

#### ● Sample model GSR and GSR-R orders



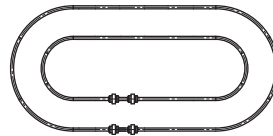
GSR25T2UU+1060L 2 sets

#### ● Sample cross LM guide orders (SCR, CSR and MX)



4SCR25UU+1200/1000LP 1 set

#### ● Sample model HMG orders



HMG15A 2 UU C1+1000L T + 60/150R 6T + 60/300R 6T - II 2 sets  
 Note) When ordering model HMG, attach a reference diagram clearly showing the positioning of the LM block and LM rail.

**[Mounted orientation and lubrication method]**

When placing an order, be sure to let THK know the mounting orientation and the exact position in each LM block where the grease nipple or the piping joint should be attached.

For the mounting orientation and the lubrication, see **B1-28** and **B24-2**, respectively.

**[Supported options]**

The supported options differ depending on the model number. Check the available options when ordering.

See **A1-478**.

**[Maximum manufactured lengths for LM rails]**

Where a high degree of precision is required, limits apply to the maximum manufactured lengths for LM rails. In such situations, contact THK.

## Precautions on Using the LM Guide

### [Handling]

- (1) Please use at least two people to move any product weighing 20 kg or more, or use a dolly or another conveyance. Doing so may cause injury or damage.
- (2) Do not disassemble the parts. This will result in loss of functionality.
- (3) Tilting an LM block or LM rail may cause them to fall by their own weight.
- (4) Take care not to drop or strike the LM Guide. Doing so may cause injury or damage. Giving an impact to it could also cause damage to its function even if the product looks intact.
- (5) Do not remove the LM block from the LM rail during setup.
- (6) Do not insert hands or fingers into the mounting holes on the LM rail, as they could get caught between the rail and the LM block, resulting in injury.
- (7) To ensure personal safety, wear gloves and protective footwear when handling this product.

### [Precautions on Use]

- (1) Prevent foreign material, such as cutting chips or coolant, from entering the product. Failure to do so may cause damage.
- (2) If the product is used in an environment where cutting chips, coolant, corrosive solvents, water, etc., may enter the product, use bellows, covers, etc., to prevent them from entering the product.
- (3) Do not use this product if the external temperature exceeds 80°C. Unless the unit is specially designed to be heat-resistant, exposure to such temperatures may deform or damage plastic and rubber parts.
- (4) If foreign material such as cutting chips adheres to the product, replenish the lubricant after cleaning the product.
- (5) Micro-strokes tend to obstruct oil film to form on the raceway in contact with the rolling element, and may lead to fretting corrosion. Take consideration using grease offering excellent fretting prevention. It is also recommended that a stroke movement corresponding to the length of the LM block be made on a regular basis to make sure oil film is formed between the raceway and rolling element.
- (6) Do not use undue force when fitting parts (pin, key, etc.) to the product. This may generate permanent deformation on the raceway, leading to loss of functionality.
- (7) If, for operational reasons, it becomes absolutely necessary to remove the LM block from the LM rail and reattach it, a special mounting jig must be used for this purpose. (The mounting jig is not included with standard versions of the product. To obtain one, please contact THK.)
- (8) Position the mounting jig so that one end abuts the end of the LM rail. When the rail and the jig are exactly aligned, the LM block can be loaded onto the rail.
- (9) Take care to keep the LM block straight. Loading the block at an angle can introduce foreign matter, damage internal components, or cause balls to fall out.
- (10) The LM block must contain all its internal rolling elements (balls) when mounted on the LM rail. Using a block with any balls removed may result in premature damage.
- (11) Please contact THK if any balls fall out of the LM block; do not use the block if any balls are missing.



## Precautions on Use

### Precautions on Using the LM Guide

- (12) If the LM Guide breaks due to an accident or other cause, the block may come off of the rail and fall. For the safe use of this product, take precautions such as adding a mechanism to prevent the block from falling.
- (13) Insufficient rigidity or accuracy of mounting members causes the bearing load to concentrate on one point and the bearing performance will drop significantly. Accordingly, give sufficient consideration to the rigidity/accuracy of the housing and base and strength of the fixing bolts.
- (14) When removing the LM block from the LM rail and then replacing the block, an LM block mounting/removing jig that facilitates such installation is available. Contact THK for details.

### [Lubrication]

- (1) Thoroughly remove anti-rust oil and feed lubricant before using the product.
- (2) Do not mix different lubricants. Mixing greases using the same type of thickening agent may still cause adverse interaction between the two greases if they use different additives, etc.
- (3) When using the product in locations exposed to constant vibrations or in special environments such as clean rooms, vacuum and low/high temperature, use the grease appropriate for the specification/environment.
- (4) When lubricating the product having no grease nipple or oil hole, apply grease directly on the raceway and stroke the product several times to let the grease spread inside.
- (5) The consistency of grease changes according to the temperature. Take note that the slide resistance of the LM Guide also changes as the consistency of grease changes.
- (6) After lubrication, the slide resistance of the LM Guide may increase due to the agitation resistance of grease. Be sure to perform a break-in to let the grease spread fully, before operating the machine.
- (7) Excess grease may scatter immediately after lubrication, so wipe off scattered grease as necessary.
- (8) The properties of grease deteriorate and its lubrication performance drops over time, so grease must be checked and added properly according to the use frequency of the machine.
- (9) Although the lubrication interval may vary according to use conditions and the service environment, lubrication should be performed approximately every 100 km in travel distance (three to six months). Set the final lubrication interval/amount based on the actual machine.
- (10) If the mounting orientation is other than horizontal use, the lubricant may not reach the raceway completely. For the mounting orientation and the lubrication, see **B 1-28** and **B 24-2**, respectively.
- (11) When adopting oil lubrication, the lubricant may not be distributed throughout the LM block depending on the mounting orientation of the block. Contact THK in advance for details.

### [Storage]

When storing the LM Guide, enclose it in a package designated by THK and store it in a room in a horizontal orientation while avoiding high temperature, low temperature and high humidity. After the product has been in storage for an extended period of time, lubricant inside may have deteriorated, so add new lubricant before use.

### [Disposal]

Dispose of the product properly as industrial waste.

# Precautions on Handling the LM Guide for Special Environment

---

## LM Guide for Medium-to-Low Vacuum

---

### [Handling]

- (1) This product has been thoroughly cleaned and degreased and then sealed in moisture-proof packaging. If possible, open the package immediately prior to using the product.
- (2) Once the packaging has been opened, store the product inside a clean, dry receptacle accompanied by silica gel or another drying agent. Do not use anti-rust oil or corrosion- or tarnish-preventive paper or fluid with this product.
- (3) Wear protective rubber or vinyl gloves while handling this product and make sure the surrounding environment is relatively clean.

---

## Oil-Free LM Guide

---

### [Handling]

- (1) The Oil-Free LM Guide is suitable for use at high temperatures, under atmospheric pressure or in a high-vacuum environment of  $10^{-6}$  Pa, and is designed for ultra-low dust emission. It is not intended for use in locations requiring rigidity. Because a preload would affect the strength of its Dry Lubrication S-Compound Film, it does not support preloads.
- (2) The product can be used in temperatures ranging from  $-20$  to  $150^{\circ}\text{C}$ .
- (3) To ensure proper function of the Dry Lubrication S-Compound Film, use this product in an environment free from condensation, at a humidity level of 40% or less.
- (4) This product is not intended for joint use.
- (5) Great care must be taken in the installation of the Oil-Free LM Guide, which requires greater precision compared to standard LM Guides.
- (6) If the LM block is removed from the LM rail, balls may fall out, and the Dry Lubrication S-Compound Film can be damaged when the block is remounted. If it becomes necessary to remove the LM block from the LM rail, please contact THK.
- (7) This product should be stored in a horizontal position, in its original wrapping and package, in a controlled, stable environment free from abnormal high or low temperatures or high humidity. THK recommends storing it at room temperature ( $25\pm 5^{\circ}\text{C}$ ), with a humidity level of 40% RH or lower and an air-purity level of 10,000 or lower.
- (8) This product has been thoroughly cleaned and degreased and then sealed in moisture-proof packaging. If possible, open the package immediately prior to using the product.
- (9) Once the packaging has been opened, store the product inside a clean, dry receptacle accompanied by silica gel or another drying agent. Do not use anti-rust oil or corrosion- or tarnish-preventive paper or fluid with this product.
- (10) Wear protective rubber or vinyl gloves while handling this product and make sure the surrounding environment is relatively clean.

# Precautions on Using Options for the LM Guide

## QZ Lubricator for the LM Guide

For details regarding the QZ, see **B1-118**.

### [Precaution on Selection]

Secure a stroke longer than the overall LM block with QZ Lubricator attached.

### [Handling]

Take care not to drop or strike this product. This could cause injury or product damage.

Do not block the vent hole with grease or the like.

The QZ device supplies oil only to the raceway, so use it in combination with regular greasing/lubrication. If the product is used in an environment exposed to coolant, cutting chips or other foreign material, oil on the raceway is lost easily. Accordingly, be sure to also use covers, bellows, etc.

### [Service environment]

Be sure the service temperature of this product is between  $-10$  to  $50^{\circ}\text{C}$ , and do not clean the product by immersing it in an organic solvent or white kerosene, or leave it unpacked.

## Laminated Contact Scraper LaCS, Side Scraper for LM Guides

For details regarding the LaCS, see **B1-106**. For details regarding the side scraper, see **B1-108**.

### [Handling]

The lubricant impregnated into the scraper is used to increase its sliding capability. For lubrication of the LM Guide, attach QZ Lubricator, or the grease nipple on the side face of the end plate of the LM block, before providing a lubricant.

When using the product, be sure to attach the rail cap C or the plate cover.

### [Service environment]

Be sure the service temperature of this product is between  $-20$  to  $+80^{\circ}\text{C}$ , and do not clean the product by immersing it in an organic solvent or white kerosene, or leave it unpacked.

### [Notes on the Product Functions]

It is specifically designed to provide dust prevention capability to remove foreign material and liquid. To seal oil, an end seal is required.

---

## Light Contact Seal LiCS for LM Guides

---

For details regarding the LiCS, see **B1-110**.

### [Handling]

The lubricant impregnated into LiCS is used to increase its sliding capability. For lubrication of the LM Guide, attach the grease nipple on the end plate of the LM block before providing a lubricant.

### [Service environment]

Be sure the service temperature of this product is between -20 to +80°C, and do not clean the product by immersing it in an organic solvent or white kerosene, or leave it unpacked.

It contacts only with the LM rail raceway. Do not use it in harsh environments.

---

## High Chemical Resistance Fluorine Seal FS for the LM Guide

---

For details about the fluorine seal, see **B1-111**.

### [Handling]

Be careful not to twist the seal portion when attaching the fluorine seal to the LM Guide. Also, do not store the product in a way that may deform the seal, such as by stacking it. This may cause damage or reduce the seal's functionality.

### [Service environment]

The service temperature range is between -20°C and 80°C. Avoid cleaning with organic solvents or kerosene, and do not store unwrapped for extended periods of time.

---

## Cap GC

---

For details regarding the GC cap, see **B1-113**.

### [Handling]

If GC caps are specified for the product, the edges of the LM rail mounting hole openings will be sharp. Take great care not to injure your fingers or hands while working.

When fitting GC caps, use a flat aligning tool to gradually punch the cap into the hole until it is level with the upper surface of the LM rail. Then run an oil stone over the rail until the upper surface of the rail and the GC caps are completely flat.