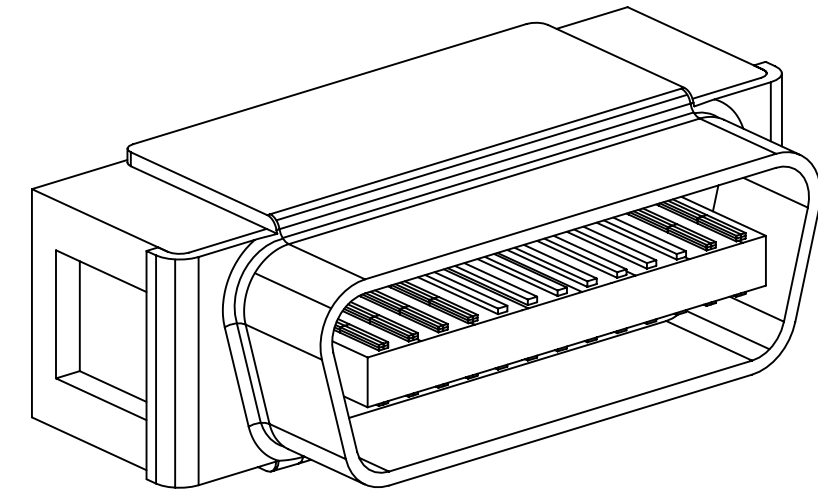


3M™ MINI D RIBBON (MDR) CONNECTORS, 101 SERIES  
 .050" STRADDLEMOUNT PLUG - SHIELDED



101XX-900APX  
 PLUG

2 PHYSICAL :

INSULATION MATERIAL :  
 BODY: GLASS REINFORCED POLYESTER (PCT)  
 INSERT MOLD: GLASS REINFORCED POLYESTER (LCP)  
 FLAMMABILITY: UL94V-0  
 COLOR: BLACK  
 CONTACT MATERIAL: COPPER ALLOY  
 PLATING:  
 UNDER PLATING: 80µ" ( 2.0µm ) NICKEL-OVERALL  
 WIPING AREA: SEE ORDERING INFORMATION  
 SOLDER TAILS: GOLD FLASH OVER NICKEL (RIA E1 & C1 APPLY)  
 BODY MATERIAL: ZINC ALLOY  
 PLATING: NICKEL  
 SHROUD MATERIAL: STEEL  
 PLATING: NICKEL  
 MARKINGS: 3M LOGO AND PART NUMBER

2 ELECTRICAL :

CURRENT RATING: 1A  
 INSULATION RESISTANCE: >5 X 10<sup>9</sup>Ω AT 500 V<sub>DC</sub>  
 WITHSTANDING VOLTAGE: 500V<sub>RMS</sub> FOR 1 MINUTE

2 ENVIRONMENTAL :

TEMPERATURE RATING: -20°C TO 85°C

- NOTES
- REGULATORY INFORMATION:  
 VISIT 3M.com/regs
  - IN THE EVENT OF CONFLICT BETWEEN THIS DATA AND THAT CONTAINED IN THE PRODUCT SPECIFICATION, THE PRODUCT SPECIFICATION TAKES PRECEDENT.
  - THERE ARE TWO SLOTS IN THE PLUG THAT ARE A STOP FOR THE PCB BOARD TO KEEP IT FROM ENTERING FURTHER INTO THE PLUG.

ORDERING INFORMATION

101XX-900APX

CONTACT QTY:   
 (SEE TABLE 1)  
 NOTE: AO=100

WIPING CONTACT PLATING:  
 L = 8µ" [ 0.2µm ] MIN. GOLD (RIA E1 & C1 APPLY)  
 C = 30µ" [ 0.76µm ] MIN. GOLD (RIA E1 & C1 APPLY)

COMPATIBLE BOARD THICKNESS:  
 A = 1.0MM STANDARD  
 O = 1.6MM SPECIAL ORDER

DIMENSIONS: INCHES [ MM ]  
 [ MM ] IS REF. ONLY

3M ELECTRONICS MATERIALS SOLUTIONS DIVISION  
 INTERCONNECT SOLUTIONS  
<http://www.3M.com/interconnect>

3M IS A TRADEMARK OF 3M COMPANY.  
 FOR TECHNICAL, SALES OR ORDERING  
 INFORMATION CALL 800-225-5373

**3M**  
 UL FILE NO: E68080

REV	ECO	ISSUE DATE AND DESCRIPTION	DRFT	CHKD
E	95427	FEB 11, 2021 REVISE 68P DIM C	JNC	FJR
D	28356	FEB 20, 2017 2-20-17 ADD 3M NOTE TO SHT2 7-7-15 REVISED & REDRAWN, 7-15-16 REVISED PCB LAYOUT	JNC	DC

DESIGN REFERENCE	NEXT ASSEMBLY	REV	ECO	ISSUE DATE AND DESCRIPTION	DRFT	CHKD

DO NOT SCALE DRAWING	SCALE	TOLERANCES EXCEPT AS NOTED
	4 1	

INCHES	MILLIMETERS
.0	± .1
.00	± .01
.000	± .005
.0000	± .0002

INTERPRET PER ASME Y14.5 - 2018	MILLIMETERS
	0 ± 2
	.0 ± .3
	.00 ± .13
	.000 ± .005

TITLE	CAGE NUMBER	SIZE	DRAWING NO.	REV.
MINI D RIBBON (MDR) CONNECTOR, .050" STRADDLEMOUNT PLUG	D		78-5100-0698-0	E

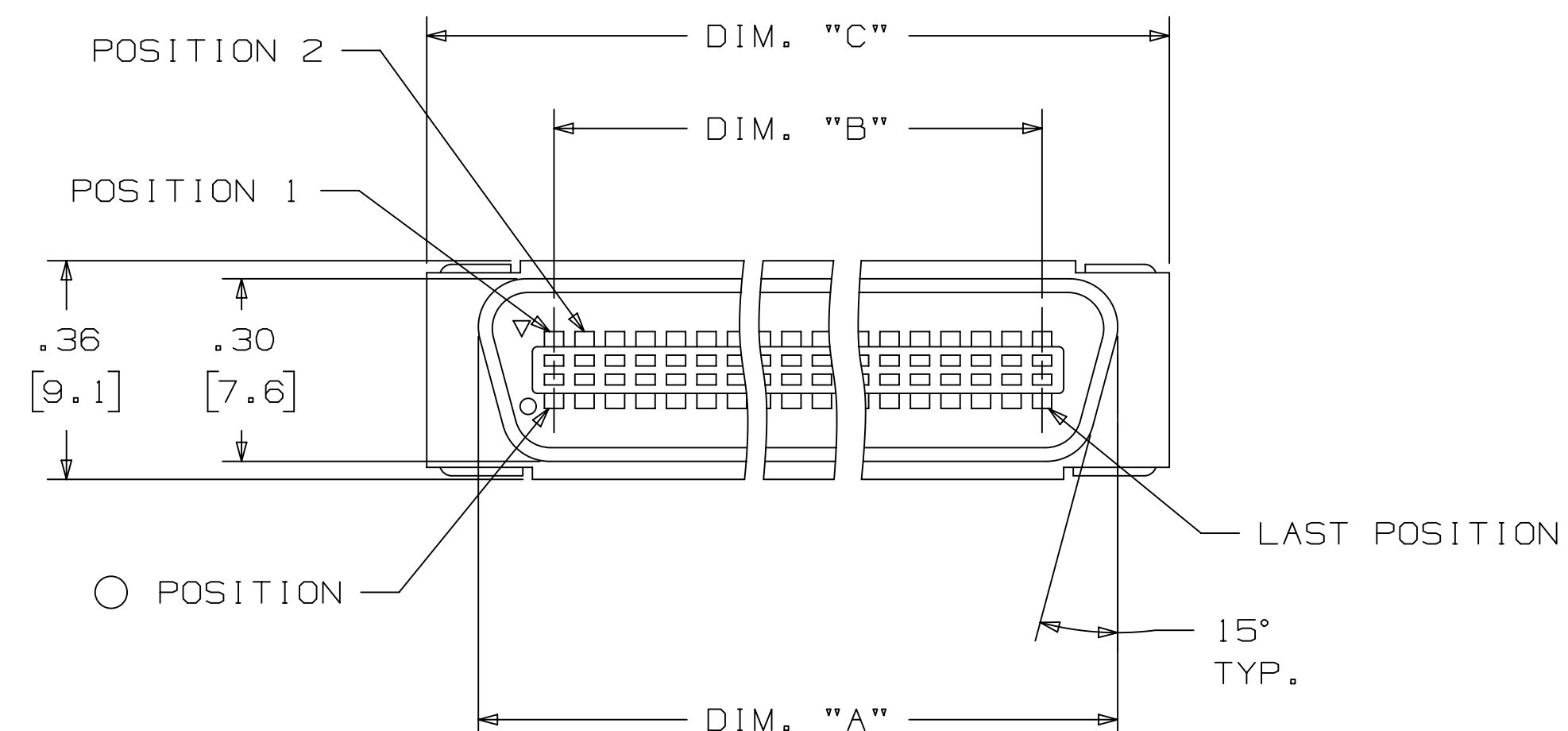
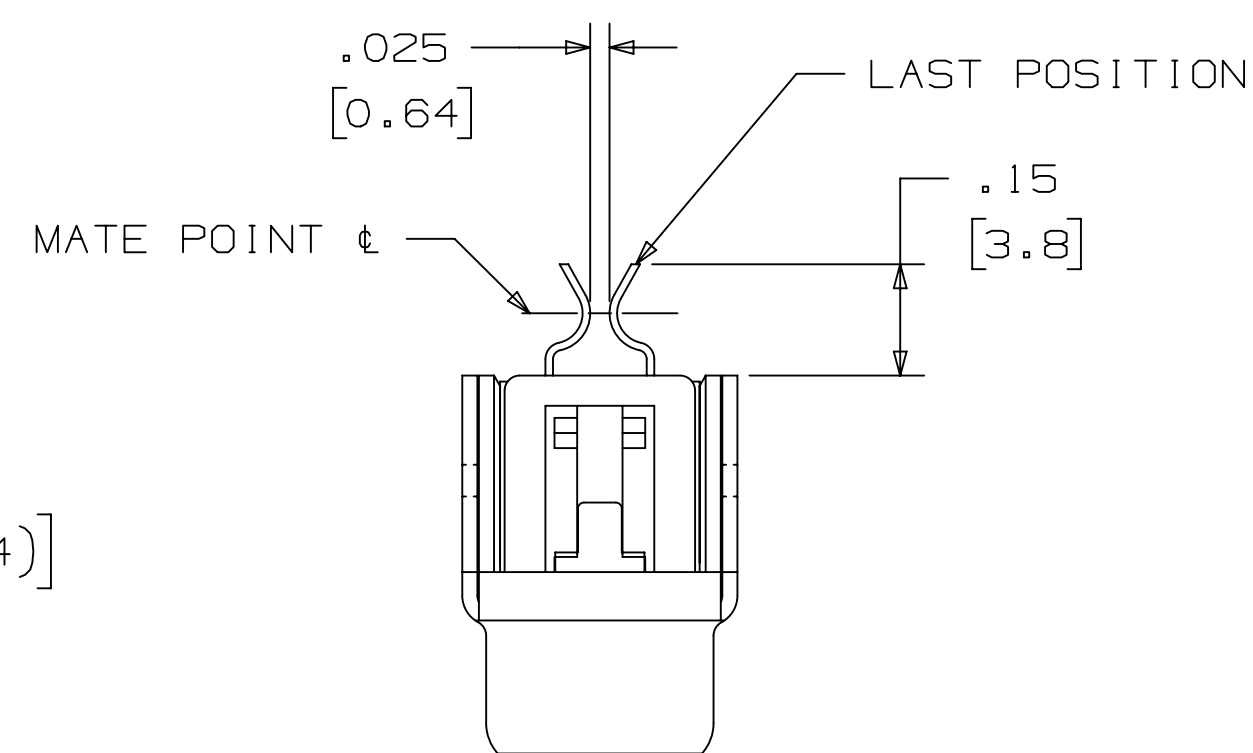
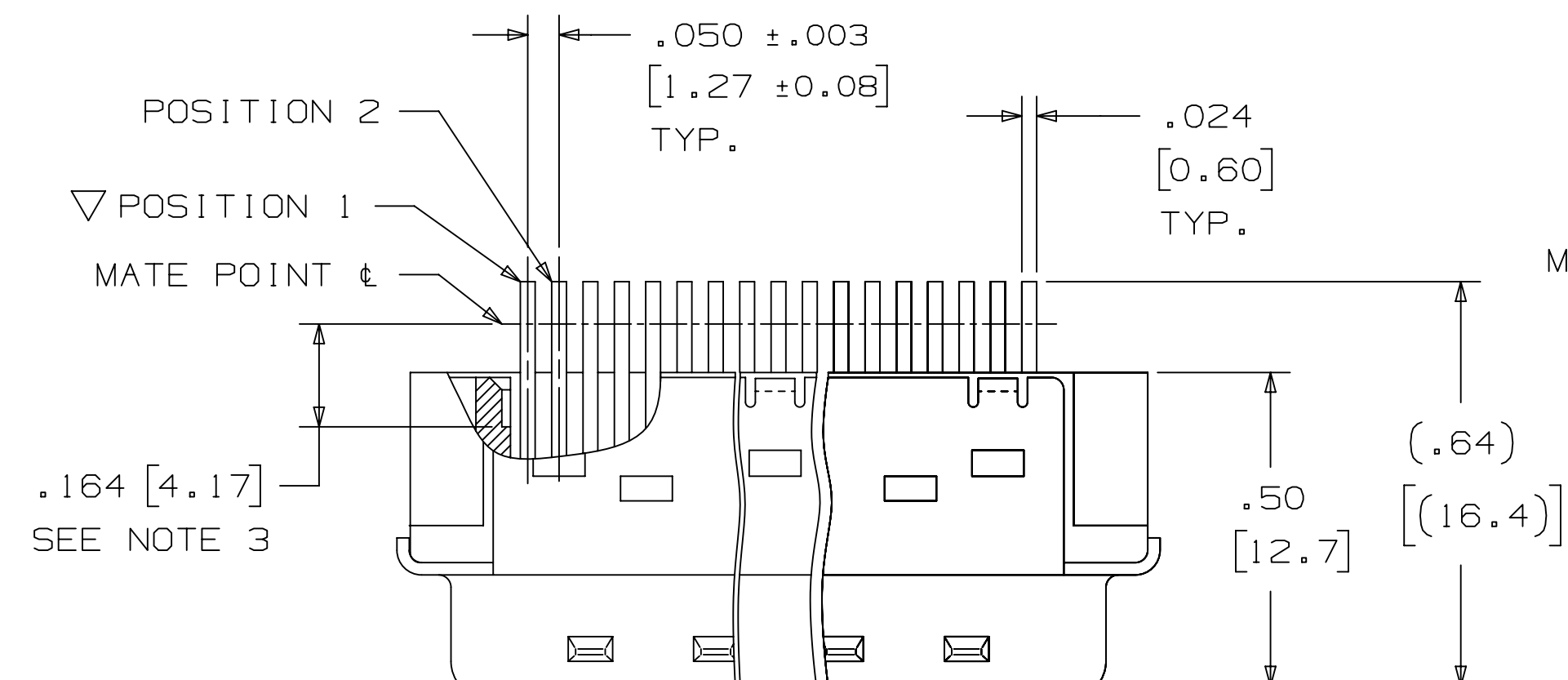
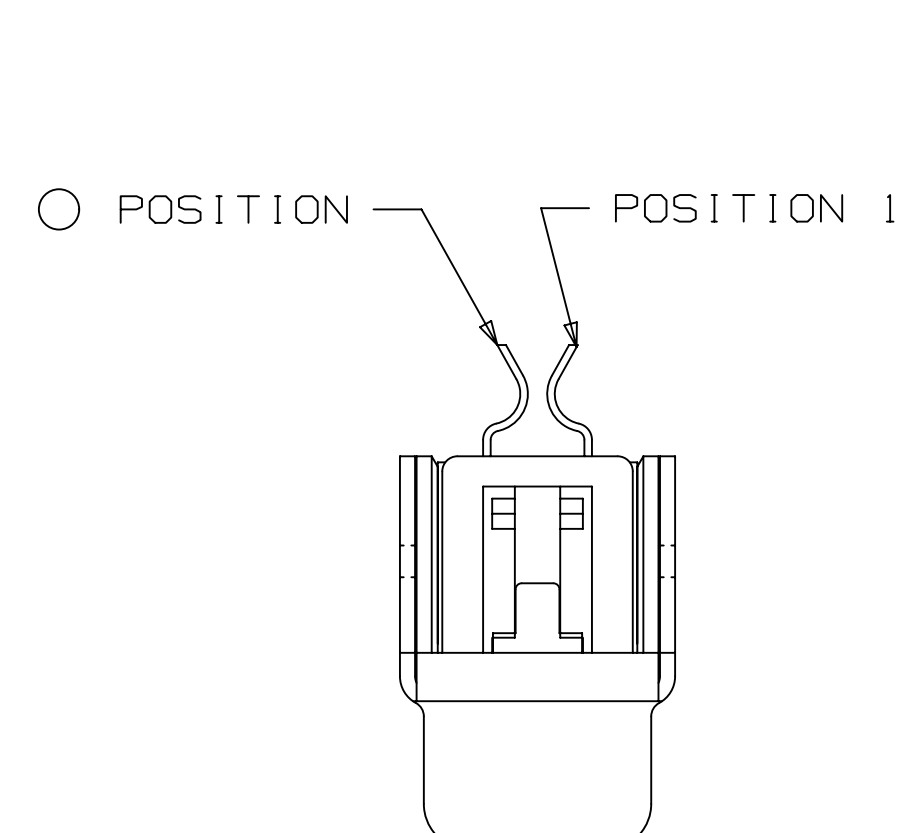
  

MODEL	101XX	DET	1515	YES	NO	SHT	1 OF 3

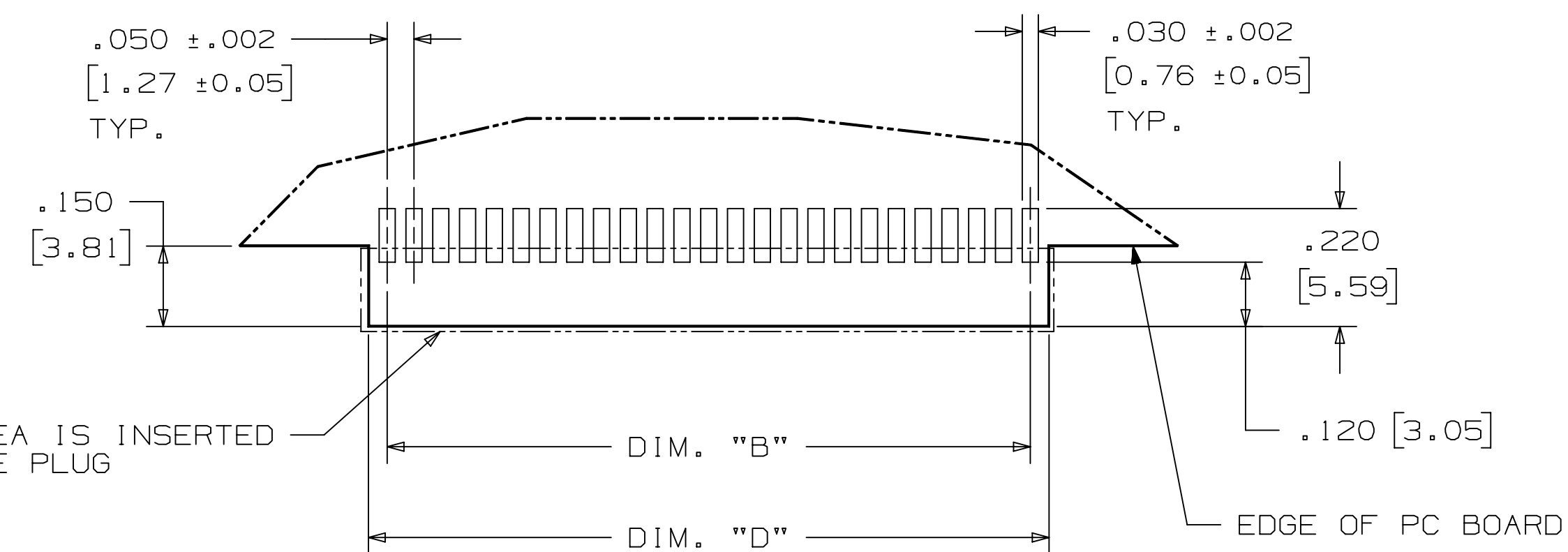
78-5100-0698-0  
 DRAWING NUMBER

# 3M™ MINI D RIBBON (MDR) CONNECTORS, 101 SERIES

.050" STRADDLEMOUNT PLUG - SHIELDED



POSITIONS	DIM. "A"	DIM. "B"	DIM. "C"	DIM. "D"
26	.84 [21.4]	.60 [15.2]	1.02 [25.8]	.68 [17.2]
50	1.44 [36.6]	1.20 [30.5]	1.62 [41.1]	1.27 [32.3]
68	1.89 [48.1]	1.65 [41.9]	2.07 [52.5]	1.72 [43.7]
100	2.66 [67.5]	2.45 [62.2]	2.87 [72.8]	2.52 [64.0]



RECOMMENDED PAD LAYOUT  
(SOLDER PAD PATTERN REPEATED ON BOTH SIDES OF BOARD)

3M ELECTRONICS MATERIALS SOLUTIONS DIVISION  
INTERCONNECT SOLUTIONS  
<http://www.3M.com/interconnect>

3M IS A TRADEMARK OF 3M COMPANY.  
FOR TECHNICAL, SALES OR ORDERING  
INFORMATION CALL 800-225-5373

DESIGN REFERENCE	NEXT ASSEMBLY	REV	ECO	ISSUE DATE AND DESCRIPTION	DRFT	CHKD
		DRFT	CASTIGLIONE	DATE JUL 07, 2015	MFG	DATE
		CHKD		DATE JUL 07, 2015	APPV	DATE JUL 07, 2015
					DR	CRONCH
DIVISION		DIVISION CODE				
DO NOT SCALE DRAWING	SCALE 4/1	TOLERANCES EXCEPT AS NOTED				
THIRD ANGLE PROJECTION		INCHES 0 ±.1 .00 ±.01 .000 ±.005 .0000 ±.0002				
INTERPRET PER ASME Y14.5 - 2018		MILLIMETERS 0 ±.3 .00 ±.13 .000 ±.005				
MAX SURFACE ROUGHNESS		CAGE NUMBER				
MARKED ONLY		D 78-5100-0698-0				
		MODEL 101XX				
		REV. E				
		SHT 2 OF 3				

E	95427	FEB 11, 2021	JNC	FJR
D	28356	FEB 20, 2017	JNC	DC
2-20-17 ADD 3M NOTE TO SHT2				
7-7-15 REVISED & REDRAWN, 7-15-16 REVISED PCB LAYOUT				

© 3M COPYRIGHT 2021  
This document and the information it contains are 3M property and may not be reproduced or further distributed without 3M permission, or used or disclosed other than for 3M authorized purposes. All rights reserved.

3M Center  
St. Paul, MN 55144

TITLE  
MINI D RIBBON (MDR) CONNECTOR, .050" STRADDLEMOUNT PLUG

# 3M™ MINI D RIBBON (MDR) CONNECTORS, 101 SERIES

.050" STRADDLEMOUNT PLUG - SHIELDED

**Regulatory:** For regulatory information about this product, visit [3M.com/regs](http://3M.com/regs) or contact your 3M representative.

**Technical Information:** The technical information, recommendations and other statements contained in this document are based upon tests or experience that 3M believes are reliable, but the accuracy or completeness of such information is not guaranteed.

**Product Use:** Many factors beyond 3M's control and uniquely within user's control can affect the use and performance of a 3M product in a particular application. Given the variety of factors that can affect the use and performance of a 3M product, user is solely responsible for evaluating the 3M product and determining whether it is fit for a particular purpose and suitable for user's method of application.

**Warranty, Limited Remedy, and Disclaimer:** Unless an additional warranty is specifically stated on the applicable 3M product packaging or product literature, 3M warrants that each 3M product meets the applicable 3M product specification at the time 3M ships the product. 3M MAKES NO OTHER WARRANTIES OR CONDITIONS, EXPRESS OR IMPLIED, INCLUDING, BUT NOT LIMITED TO, ANY IMPLIED WARRANTY OR CONDITION OF MERCHANTABILITY OR FITNESS FOR A PARTICULAR PURPOSE OR ANY IMPLIED WARRANTY OR CONDITION ARISING OUT OF A COURSE OF DEALING, CUSTOM OR USAGE OR TRADE. If the 3M product does not conform to this warranty, then the sole and exclusive remedy is, at 3M's option, replacement of the 3M product or refund of the purchase price.

**Limitation of Liability:** Except where prohibited by law, 3M will not be liable for any loss or damage arising from the 3M product, whether direct, indirect, special, incidental or consequential, regardless of the legal theory asserted, including warranty, contract, negligence or strict liability.

3M Company  
 Electronics Materials Solutions Division  
 13011 McCallen Pass, Bldg. C  
 Austin, TX 78753-5380  
 1-800-225-5373  
[www.3M.com/interconnect](http://www.3M.com/interconnect)

3M ELECTRONICS MATERIALS SOLUTIONS DIVISION  
 INTERCONNECT SOLUTIONS  
<http://www.3M.com/interconnect>

3M IS A TRADEMARK OF 3M COMPANY.  
 FOR TECHNICAL, SALES OR ORDERING  
 INFORMATION CALL 800-225-5373

DESIGN REFERENCE	NEXT ASSEMBLY	REV	ECO	ISSUE DATE AND DESCRIPTION	DRFT	CHKD
DCODES		DRFT	CASTIGLIONE	DATE	JUL 07, 2015	MFG
		CHKD		DATE		
DIVISION	DIVISION CODE	APPRV	D. CRONCH	DATE	JUL 07, 2015	
DO NOT SCALE DRAWING	SCALE 1	3M Center St. Paul, MN 55144		© 3M COPYRIGHT 2021 This document and the information it contains are 3M property and may not be reproduced or further distributed without 3M permission, or used or disclosed other than for 3M authorized purposes. All rights reserved.		
THIRD ANGLE PROJECTION		TOLERANCES EXCEPT AS NOTED INCHES .0 ± .1 .00 ± .01 .000 ± .005 .0000 ± .0002		TITLE MINI D RIBBON (MDR) CONNECTOR, .050" STRADDLEMOUNT PLUG		
INTERPRET PER ASME Y14.5 - 2018		MILLIMETERS 0 ± 2 .0 ± .3 .00 ± .13 .000 ± .005		CAGE NUMBER	SIZE	DRAWING NO.
MAX SURFACE ROUGHNESS		ANGLES ±		D	78-5100-0698-0	E
<input checked="" type="checkbox"/> ALL SURFACES <input type="checkbox"/> MARKED ONLY		MODEL	101XX	DET	ISTS	YES <input type="checkbox"/> NO <input checked="" type="checkbox"/>
						SHT 3 OF 3

78-5100-0698-0 DRAWING NUMBER

# Mouser Electronics

Authorized Distributor

Click to View Pricing, Inventory, Delivery & Lifecycle Information:

[3M:](#)

[10126-900APL](#) [10150-900APL](#) [101A0-900APC](#) [10168-900APL](#)