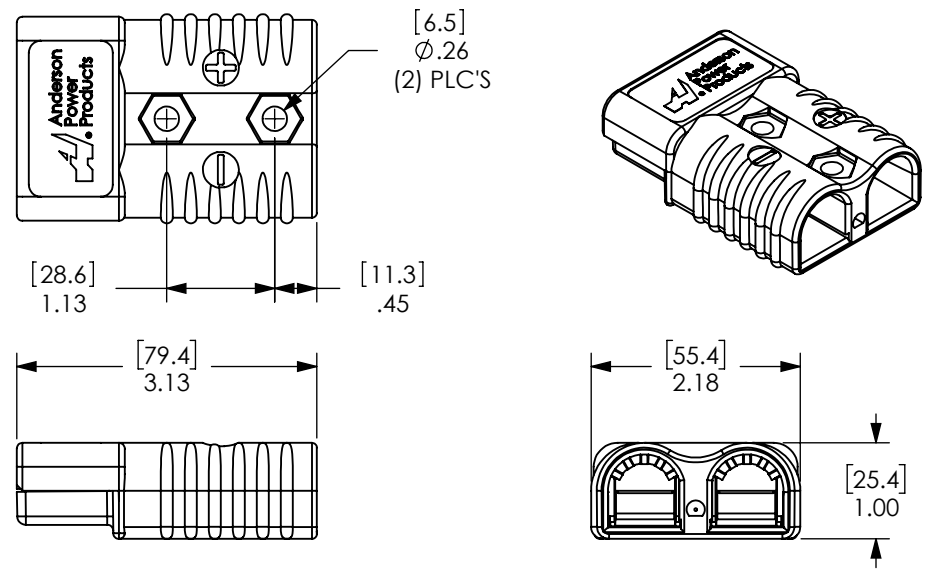


THE INFORMATION CONTAINED IN THIS DRAWING IS THE SOLE PROPERTY OF ANDERSON POWER PRODUCTS. ANY REPRODUCTION IN PART OR WHOLE WITHOUT THE WRITTEN PERMISSION OF ANDERSON POWER PRODUCTS IS PROHIBITED.

Copyright 2016

ANDERSON POWER PRODUCTS RESERVES THE RIGHT TO ALTER PRODUCT TYPES, THEIR TECHNICAL DATA, DIMENSION, STYLE AND ACCESSORIES WITHOUT PRIOR NOTIFICATION.



COLOR	P/N SEE NOTE 6	MATERIAL
GRAY	940	PC
	P940	PC/PBT
BLUE	941	PC
	P941	PC/PBT
ORANGE	942	PC
	P942	PC/PBT
YELLOW	943	PC
	P943	PC/PBT
RED	949	PC
	P949	PC/PBT
**BLACK "KEYLESS"	2-7252G11	PC
	P2-7252G11	PC/PBT
BROWN	950	PC
	P950	PC/PBT

- NOTES:
1. SPRING/HOUSING ASSEMBLIES ARE UL RECOGNIZED PER FILE E26226, CSA CERTIFIED PER LR25154
 2. HOUSINGS ARE KEYPED TO ONLY ALLOW MATING WITH THE SAME COLOR HOUSING.
 3. FOR ASSEMBLY INSTRUCTIONS SEE DOCUMENT 1S1030A
 4. HOUSING ASSEMBLIES ACCOMODATE ANDERSON CONTACTS FOR WIRE RANGE FROM #10 AWG TO 1/0.
 5. **BLACK "KEYLESS" CONNECTOR WILL MATE WITH ALL VOLTAGE KEYS AND COLORS
 6. "P" PREFIX AND LOGO INDICATE CHEMICAL RESISTANT HOUSINGS. "P" LOGO PRESENT ON CHEMICAL RESISTANT HOUSINGS ONLY.
 7. MANUFACTURING AND AGENCY MARKINGS SHOWN ON THIS SURFACE. [7]

MATED PAIR

REV.	DESCRIPTION	APPRV	DATE
7	ECN 2016-0112 - CHANGED NOTE 7, ADDED REF. TO DIM.	CPD	12/9/2016
6	ECN 2016-0085	CPD	10/20/2016
5	ECRN-15512 UPDATE DRAWING	TWE	11/14/2013
4	ECRN 15246 ADDED NOTE 6	NTS	10/1/2012
3	ECRN 14661: "PC/PBT" WAS "PBT"	CMS	7/7/10
2	ECRN 14391- REDRAW UPDATE BORDER ADD TABLE	AMS	3/3/09

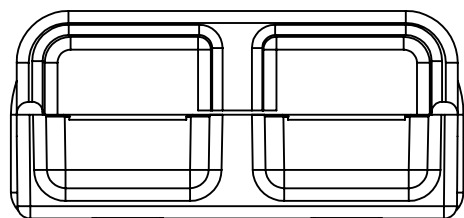
DIMENSIONS ARE IN:	INCH [MM]	APPROVALS		<p>ANDERSON POWER PRODUCTS</p> <p>TITLE</p> <p>175A DUAL POLE SPRING & HOUSING</p>			
UNLESS OTHERWISE STATED		DRAWN	CMS 3/18/1999				
TOLERANCES:		CHECKED	DJD 3/19/1999				
DECIMALS (INCH) .XX ±.02		PM APPRV	CHB 4/19/1999				
DECIMALS (MM) .X ±.5		QC APPRV	DJM 4/20/1999				
ANGLES ±2°		ENG APPRV	UFN 4/20/1999				
SURFACE FINISH:		SIZE	A	DWG NO.	114131S1	REV.	7
MACHINED 128µin [3.2µ]		SCALE	NONE	CADFILE	01001	SHEET	1 OF 2
MOLDED 64µin [1.6µ]		-CAD GENERATED DRAWING- DO NOT MANUALLY UPDATE DO NOT SCALE					
MATERIAL:SPRINGS - STAINLESS STEEL HOUSINGS - SEE TABLE							
FINISH:							

THE INFORMATION CONTAINED IN THIS DRAWING IS THE SOLE PROPERTY OF ANDERSON POWER PRODUCTS. ANY REPRODUCTION IN PART OR WHOLE WITHOUT THE WRITTEN PERMISSION OF ANDERSON POWER PRODUCTS IS PROHIBITED.

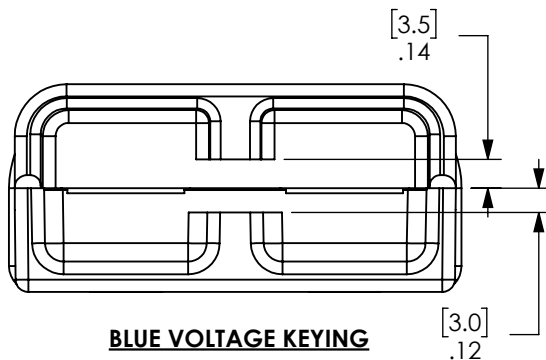
Copyright 2016

ANDERSON POWER PRODUCTS RESERVES THE RIGHT TO ALTER PRODUCT TYPES, THEIR TECHNICAL DATA, DIMENSION, STYLE AND ACCESSORIES WITHOUT PRIOR NOTIFICATION.

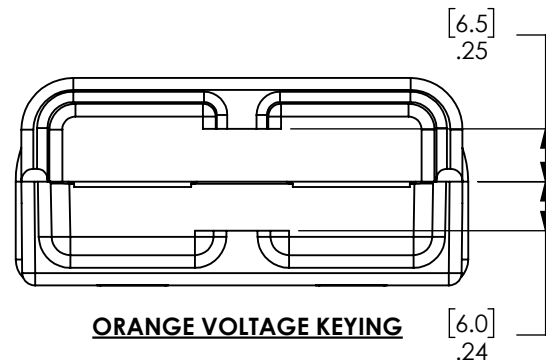
D



GRAY VOLTAGE KEYING

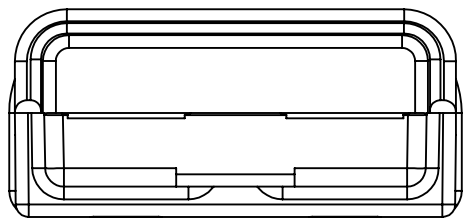


BLUE VOLTAGE KEYING

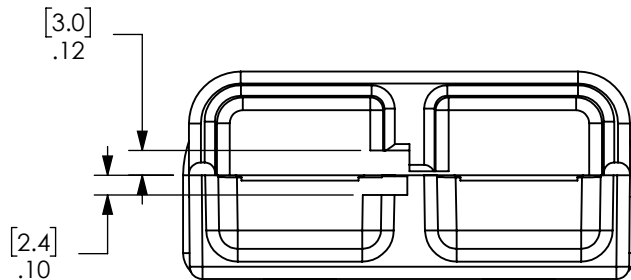


ORANGE VOLTAGE KEYING

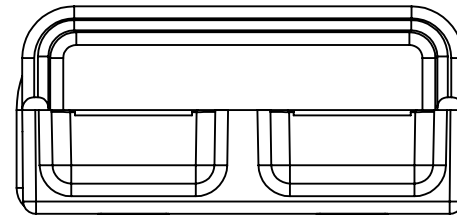
C



YELLOW VOLTAGE KEYING

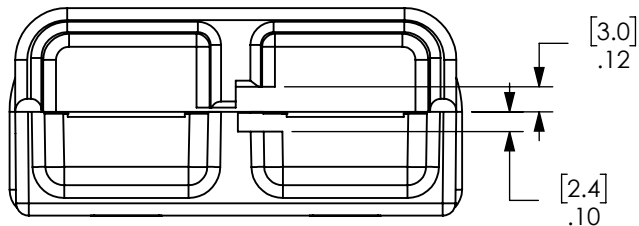


RED VOLTAGE KEYING



BLACK "KEYLESS" VOLTAGE KEYING

B



BROWN VOLTAGE KEYING

A

DIMENSIONS ARE IN:		INCH [MM]		<i>APPROVALS</i>		ANDERSON POWER PRODUCTS		
UNLESS OTHERWISE STATED				DRAWN	CMS	3/18/1999	TITLE 175A DUAL POLE SPRING & HOUSING	
TOLERANCES:				CHECKED	DJD	3/19/1999		
DECIMALS (INCH)	DECIMALS (MM)	ANGLES		PM APPRV	CHB	4/19/1999		
.XX ± .02	.X ± .5	±2°		QC APPRV	DJM	4/20/1999		
SURFACE FINISH:				ENG APPRV	UFN	4/20/1999	SIZE A	
MACHINED 128µin [3.2µ]							DWG NO. 114131S1	
MOLDED 64µin [1.6µ]							REV. 7	
MATERIAL: SPRINGS - STAINLESS STEEL				-CAD GENERATED DRAWING- DO NOT MANUALLY UPDATE DO NOT SCALE				SCALE NONE
HOUSINGS - SEE TABLE								CADFILE 01001
FINISH:								SHEET 2 OF 2

-	See Sheet1	-	-
REV.	DESCRIPTION	APPRV	DATE
REVISIONS			