

MATERIALS AND FINISHES

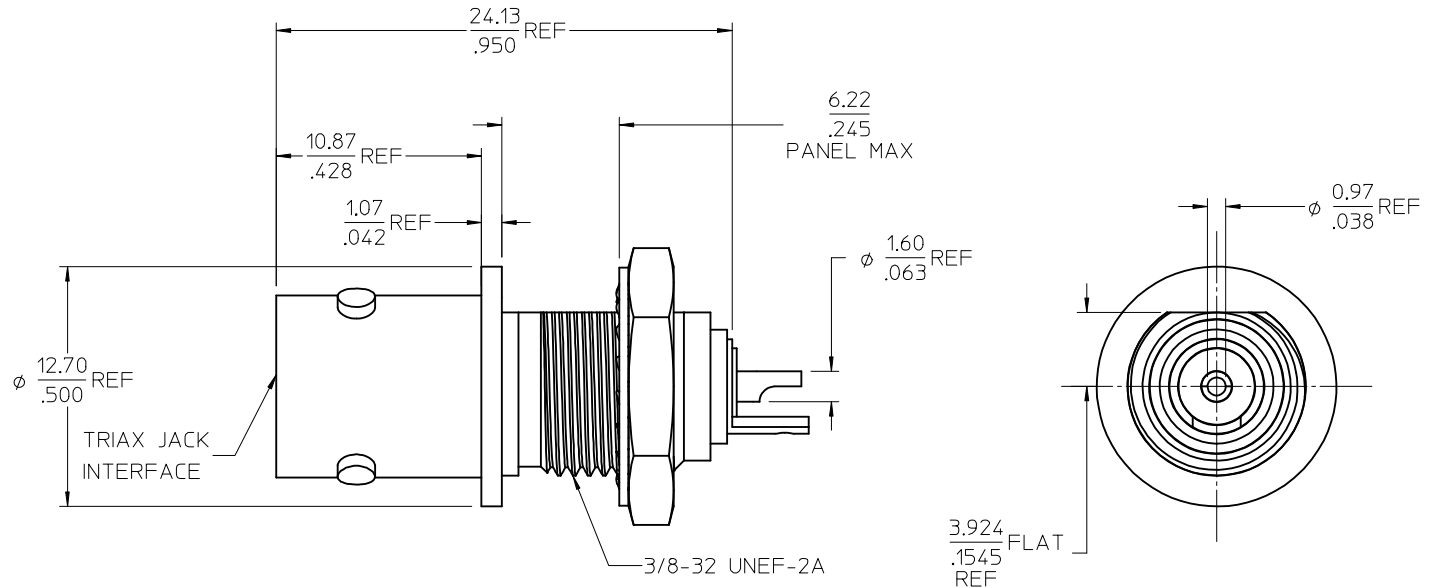
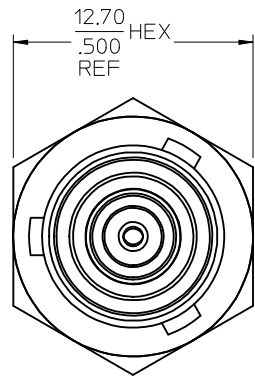
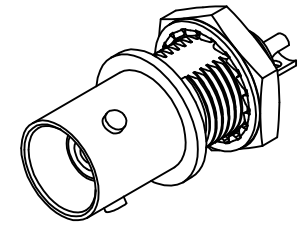
BODY, JAM NUT BRASS  
PLATED NICKEL

CENTER CONTACT BERYLLIUM COPPER  
PLATED GOLD

INTERMEDIATE CONTACT BRASS  
PLATED GOLD

LOCKWASHER PHOSPHOR BRONZE  
PLATED NICKEL

INSULATOR TEFLON



PART # 73415-1780

MIL-STD-348A, FIG. 201.2	INTERFACE
SPECIFICATION	DESCRIPTION

CHG: REDREW TO SHOW RE-ORIENTED FLAT	EC NO: URF2006-0529	DESCRIPTION
	DRWN: FLAHERTY 2006/05/25	CHKD: SHAH 2006/05/25
	APPR: WIENER 2006/05/25	

QUALITY SYMBOLS	GENERAL TOLERANCES (UNLESS SPECIFIED)
▽=0	mm INCH
▽=0	4 PLACES ± --- ± ---
	3 PLACES ± --- ± ---
	2 PLACES ± --- ± ---
	1 PLACE ± --- ± ---
	ANGULAR ± 2 °
	DRAFT WHERE APPLICABLE MUST REMAIN WITHIN DIMENSIONS

DRAWN BY	DATE
TEF	2004/09/03
CHECKED BY	DATE
SSS	2004/09/03
APPROVED BY	DATE
JDW	2004/09/03
MATERIAL NO.	DOCUMENT NO.
734151780	SD-73415-178

DIMENSION STYLE	SCALE	DESIGN UNITS	THIRD ANGLE PROJECTION
MM/IN		METRIC	☉

TITLE		SHEET NO.	
TRIAx JACK, BLKHD, 3 LUG WITH SOLDER POT TRIAX-JC		1 OF 1	
MOLEX INCORPORATED			
THIS DRAWING CONTAINS INFORMATION THAT IS PROPRIETARY TO MOLEX INCORPORATED AND SHOULD NOT BE USED WITHOUT WRITTEN PERMISSION			

# Mouser Electronics

Authorized Distributor

Click to View Pricing, Inventory, Delivery & Lifecycle Information:

[Molex:](#)

[73415-1780](#)