

# SPECIFICATION

Model Number: FBULS1612A-T-25

Product : Ultrasonic sensor

Document Number:      Revision:

\_\_\_\_\_  
Approval Signature      Date

\_\_\_\_\_  
Title      Company Name

Customer Approval \_\_\_\_\_  
Signature      Date

\_\_\_\_\_  
Title      Company Name

NINGBO BEST GROUP CO., Ltd.

<http://www.fbele.com> [sales@fbele.com](mailto:sales@fbele.com)

# SPECIFICATIONS

Model No.

FBULS1612A-T-25

Page

1/4

## 1. SCOPE

This specification applies Ultrasonic sensor FBULS1612A-T-25

## 2.Characteristics

- 1.1) Open structure and separate use
- 1.2) Compact and light weight. High reliability
- 1.3) High sensitivity and sound pressure
- 1.4) Less power consumption
- 1.5) RoHS compliance

## 3. Technical terms

No.	Item	Unit	Specification
1	structure		Open
2	Using method		Transmitter
3	Nominal Frequency	Hz	25K
4	S P L for transmitter	dB	Type 115(30V/30cm/sine wave)
5	Directivity		80deg
6	Capacitance	pF	2300±20%@1KHz
7	Storage Temperature	°C	-30....+85
8	Operating Temperature	°C	-30....+85
9	Housing material		AL
10	Diameter	mm	16

		2014-2-13			
Issue No	Description	Date	Issue	Check	Approval

# SPECIFICATIONS

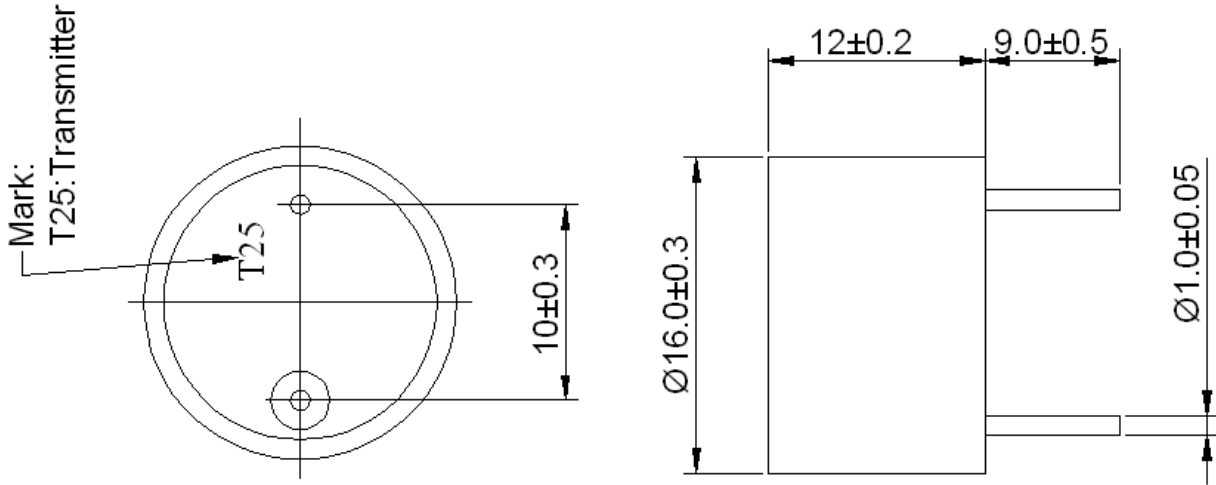
Model No.

FBULS1612A-T-25

Page

2/4

## 4. Drawing



Tolerance general unless otherwise specified:  $\pm 0.3$ mm

unit: mm

		2014-2-13			
Issue No	Description	Date	Issue	Check	Approval

# SPECIFICATIONS

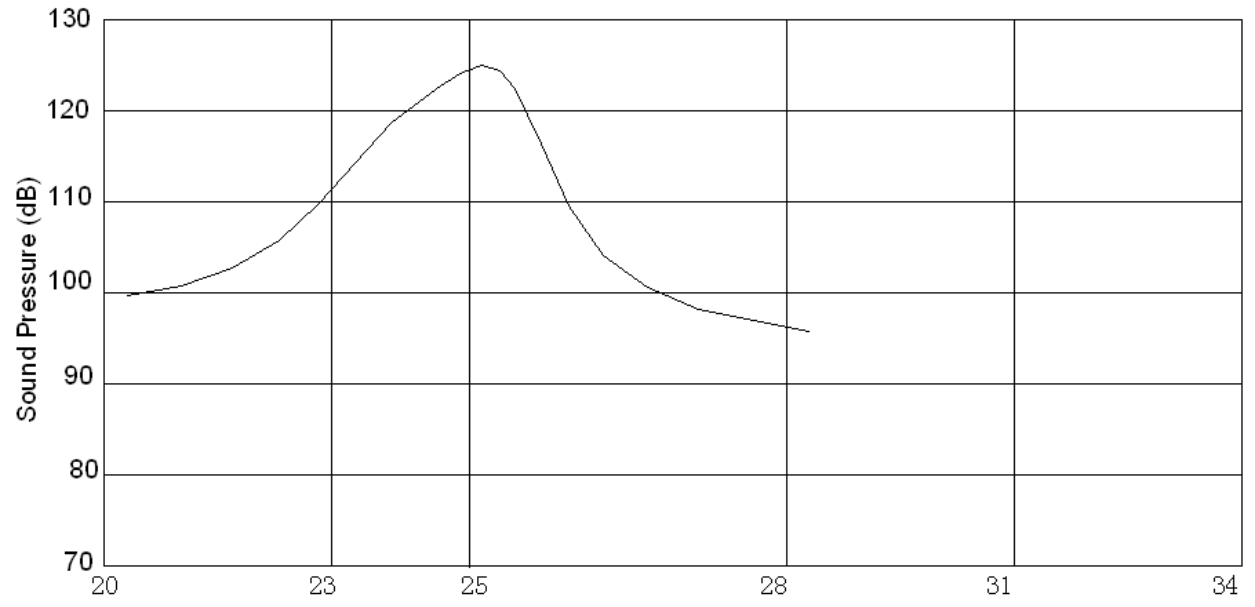
Model No.

FBULS1612A-T-25

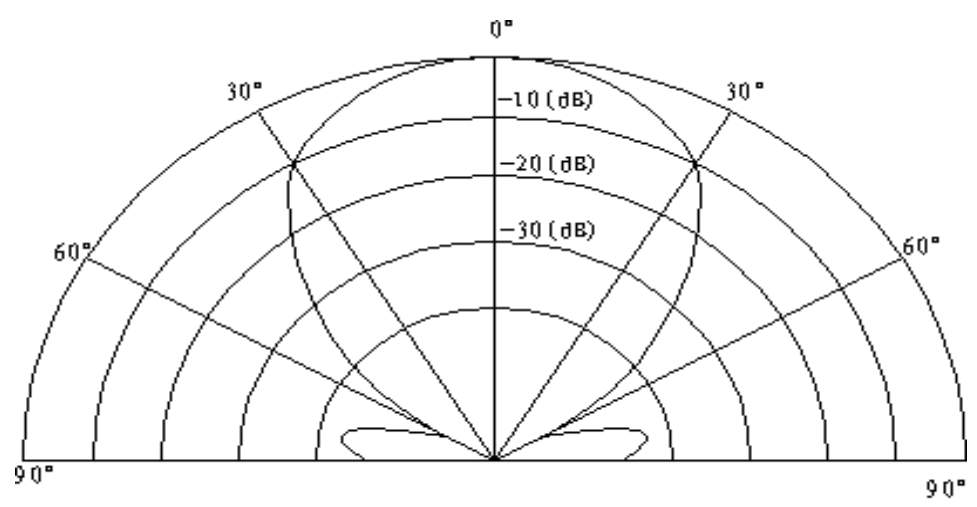
Page

3/4

## 5. Beam Pattern



SPL-Freq.Characteristics(transmitter)



Directivity in Overall Sensitivity

		2014-2-13			
Issue No	Description	Date	Issue	Check	Approval

# SPECIFICATIONS

Model No.

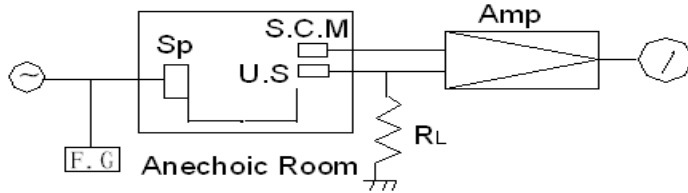
FBULS1612A-T-25

Page

4/4

## 6. Test Circuit

Receiver



RL:  $3.9K\Omega$

U.S : Ultrasonic Sensor

S.C.M: Standard Cappable Microphone

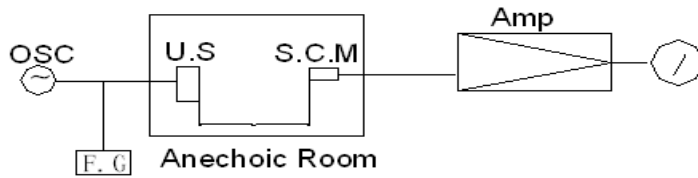
Amp. : Amplifier

OSC. : Oscillator

Sp : Tweeter

F.C : Frequency Counter

Transmitter



U.S : Ultrasonic Sensor

S.C.M: Standard Cappable Microphone

Amp. : Amplifier

Input voltage: 10Vrms

F.C : Frequency Counter

Issue No	Description	Date	Issue	Check	Approval