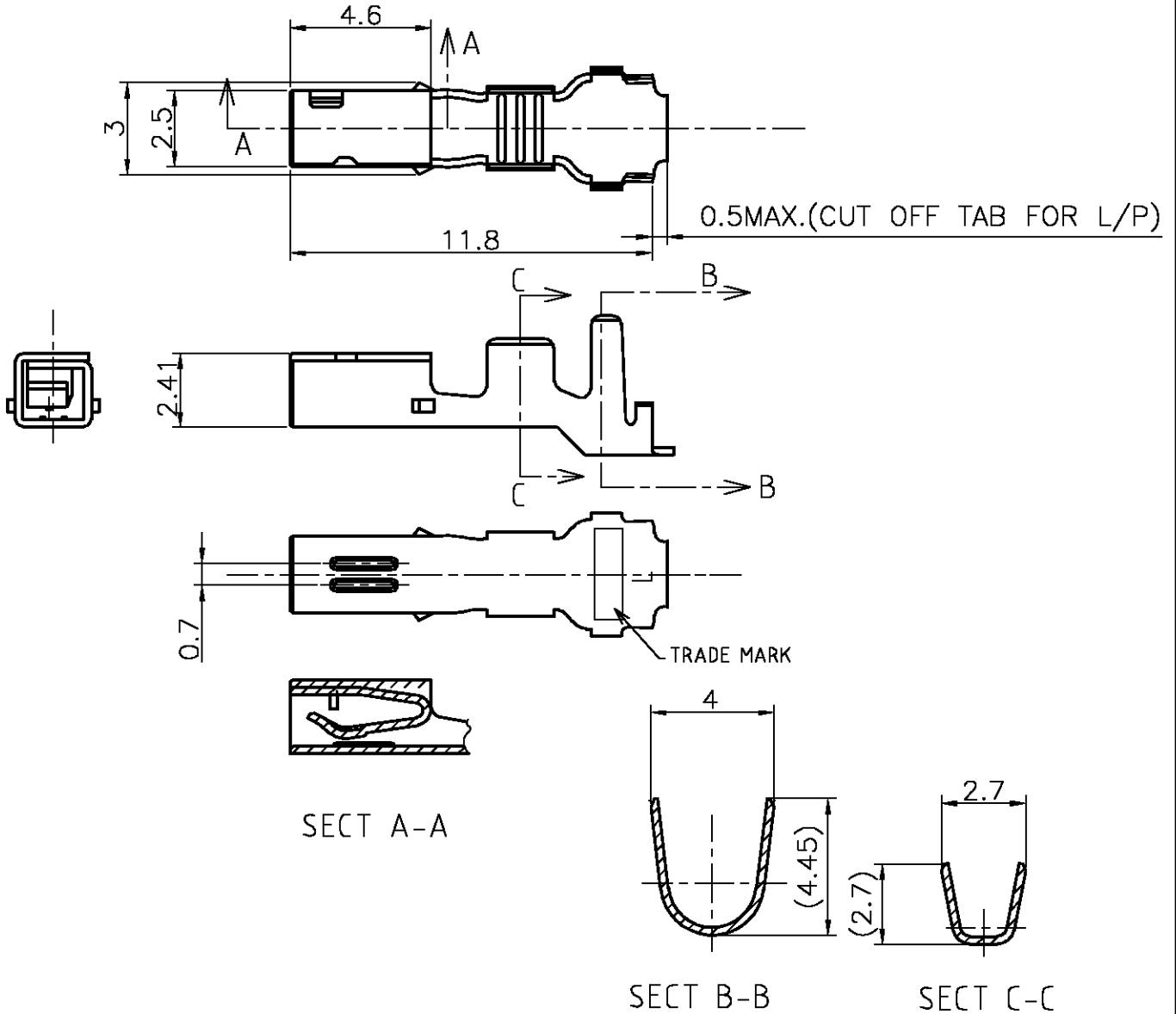


LOC J	DIST —	REVISIONS					
		P	LTR	DESCRIPTION	DATE	DWN	APVD
		B		REVISED ECR-08-019044	30JUL'08	J.S	S.M



RELEASED FOR PUBLICATION

ALL RIGHTS RESERVED.

BY TYCO ELECTRONICS CORPORATION.

THIS DRAWING IS UNPUBLISHED.



AWG#20-#16 {0.5-1.25mm sq}		INSULATION DIA 2.0-3.1		1376347-1	
DIMENSIONS: 単位: 耗 mm		DWN A.OISHI 31AUG'00	MATERIAL 材料 PRE-TIN COPPER ALLOY	FINISH 仕上 —	
TOLERANCES UNLESS OTHERWISE SPECIFIED: 一般公差		CHK Y.KASHIWA 31AUG'00	Tyco Electronics Corporation Kawasaki, Japan		
0 PLC ± 0.25	PRODUCT SPEC 製品規格 108-5699	APVD Y.KASHIWA 31AUG'00	NAME 名称 5.0 POWER KEY CONNECTOR REC CONTACT (L)		
1 PLC ±	APPLICATION SPEC 取付適用規格 114-5292	SIZE A4	CAGE CODE 00779	DRAWING NO 番号 C-1376347	RESTRICTED TO —
2 PLC ±	WEIGHT —	CUSTOMER DRAWING		SCALE 尺度 10:1	SHEET 1 OF 1
3 PLC ±				REV B	
4 PLC ±					
ANGLES ± 2°					

