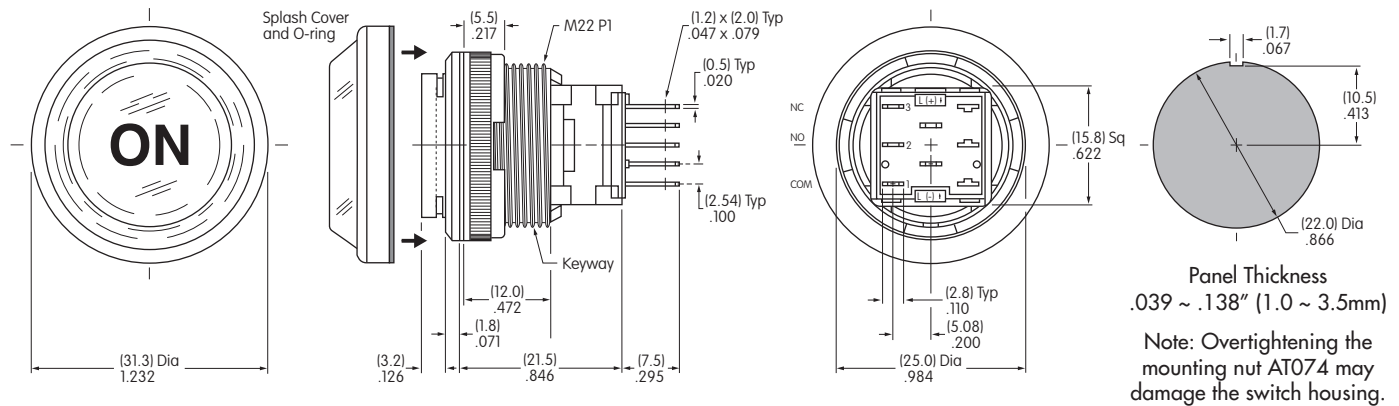


## LB16VA001

Bushing Mount • Solder Lug/Quick Connect

Dimensions in mm/inch



### BASE SWITCH

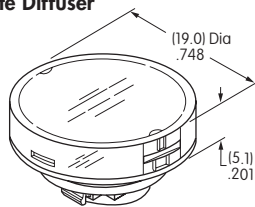
### CAP FOR SUPER BRIGHT LED

### LEGEND SPECIFICATIONS

Part Number  
LB16WKW01/CUL

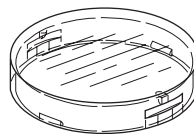
AT4131JB Cap

Clear Lens  
White Diffuser

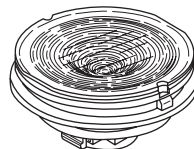


Material:  
Polycarbonate

Finish:  
Glossy



Transparent  
Clear Lens



Transparent  
White Diffuser



AT631B  
White Super Bright  
Single Element LED

Legend	ON
Type Style	Helvetica Bold
Type Size	21 Point
Legend Color	Black
Print Method	Laser Etch on Inside of Lens

Legend shown is illustrative only.  
Actual art may vary.

### Round Splash Cover for Panel Seal

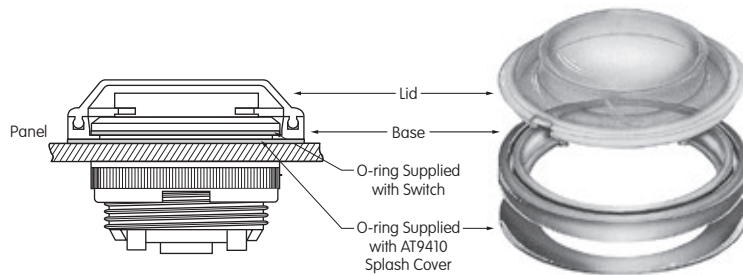
AT9410  
Splash Cover

**Materials:**

Lid: PVC (loses pliability below 0°C/32°F)

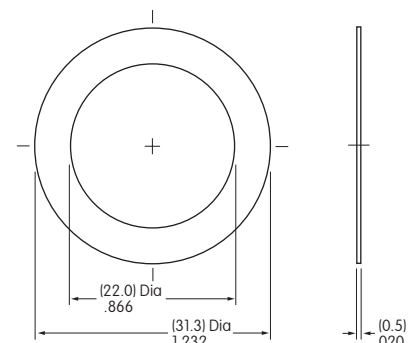
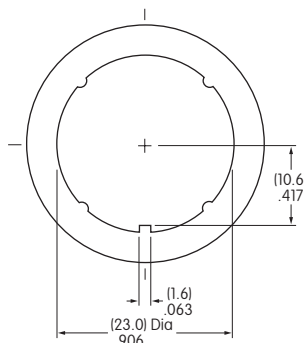
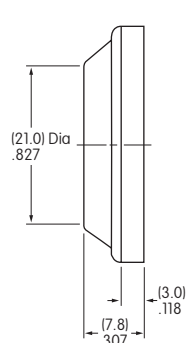
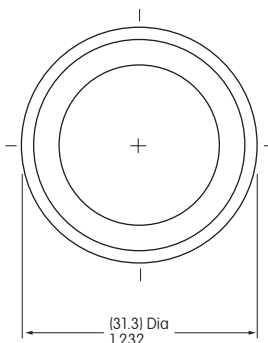
Base: Polyethylene

O-ring: NBR



### Splash Cover

### O-ring



# Base Switch Specifications

## Electrical Capacity (Resistive Load)

Power Level: 3A @ 125V AC or 3A @ 250V AC or 3A @ 30V DC


## Other Ratings

<b>Contact Resistance:</b>	50 milliohms maximum
<b>Insulation Resistance:</b>	200 megohms minimum @ 500V DC
<b>Dielectric Strength:</b>	1,000V AC minimum between contacts for 1 minute minimum; 1,500V AC minimum between contacts & case for 1 minute minimum
<b>Mechanical Life:</b>	200,000 operations minimum
<b>Electrical Life:</b>	100,000 operations minimum
<b>Nominal Operating Force:</b>	5.39N
<b>Contact Timing:</b>	Nonshorting (break-before-make)
<b>Travel:</b>	Pretravel .059" (1.5mm); Overtravel .059" (1.5mm); Total Travel .118" (3.0mm)

## Materials & Finishes

<b>Housing:</b>	Glass fiber reinforced polyamide (UL94V-0)
<b>O-ring:</b>	Nitrile butadiene rubber
<b>Inner Seal:</b>	Silicone rubber
<b>Movable Contact:</b>	Silver alloy
<b>Stationary Contacts:</b>	Silver alloy
<b>Base:</b>	Liquid crystal polymer (UL94V-0)
<b>Switch Terminals:</b>	Phosphor bronze with silver plating
<b>Lamp Terminals:</b>	Brass with silver plating

## Environmental Data

<b>Operating Temperature Range:</b>	-25°C ~ +50°C (-13°F ~ +122°F). With polyvinyl chloride splash cover, the lowest limit is 0°C (32°F).
<b>Humidity:</b>	90 ~ 95% humidity for 96 hours @ 40°C (104°F)
<b>Vibration:</b>	10 ~ 55Hz with peak-to-peak amplitude of 1.5mm traversing the frequency range & returning in 1 minute; 3 right angled directions for 2 hours
<b>Shock:</b>	50G (490m/s <sup>2</sup> ) acceleration (tested in 6 right angled directions, with 5 shocks in each direction)
<b>Sealing:</b>	IP65 of IEC 60529 standard (similar to NEMA 4 & 13)
<b>RoHS Compliant:</b>	


## Installation

<b>Mounting Torque:</b>	1.96Nm (17.35 lb•in) maximum
<b>Cap Installation Force:</b>	3.92N maximum downward force on cap
<b>Quick Connect Force:</b>	52.95N maximum downward force on connector
<b>Soldering Time &amp; Temperature:</b>	Manual Soldering: 390°C for 4 seconds, 2 cycles



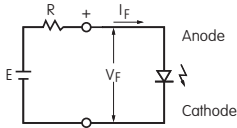
## Standards & Certifications

Flammability Standards: UL94V-0 housing & base

### POLES & CIRCUITS

Pole	Model	Plunger Position		Connected Terminals		Throw & Switch/Lamp Schematics
		Normal	Down	Normal	Down	
SP	LB16	ON	ON	1-3	1-2	Notes: Switch is marked with NC, NO, COM, L+, L-. Lamp circuit is isolated and requires an external power source. 

### ELECTRICAL SPECIFICATIONS FOR LED

 <p><b>AT631B</b> White Super Bright Single Element LED</p>  <p>T-1 Bi-pin</p>	Color	White	The electrical specifications shown are determined at a basic temperature of 25°C. For best results and safe use of LEDs, the supply voltage should be more than the LED forward voltage. Also, an appropriately valued ballast resistor should be used, or the LED will be damaged or destroyed. The resistor value can be calculated by using the formula shown here.  $R = \frac{E - V_F}{I_F}$ Where: R = Resistor Value (Ohms) E = Source Voltage (V) V <sub>F</sub> = Forward Voltage (V) I <sub>F</sub> = Forward Current (A)	
	Maximum Forward Current	I <sub>FM</sub>		30mA
	Typical Forward Current	I <sub>F</sub>		20mA
	Forward Voltage	V <sub>F</sub>		3.3V
	Maximum Reverse Voltage	V <sub>RM</sub>		7V
	Current Reduction Rate Above 25°C	ΔI <sub>F</sub>		0.40mA/°C
	Ambient Temperature Range			-25°C ~ +50°C