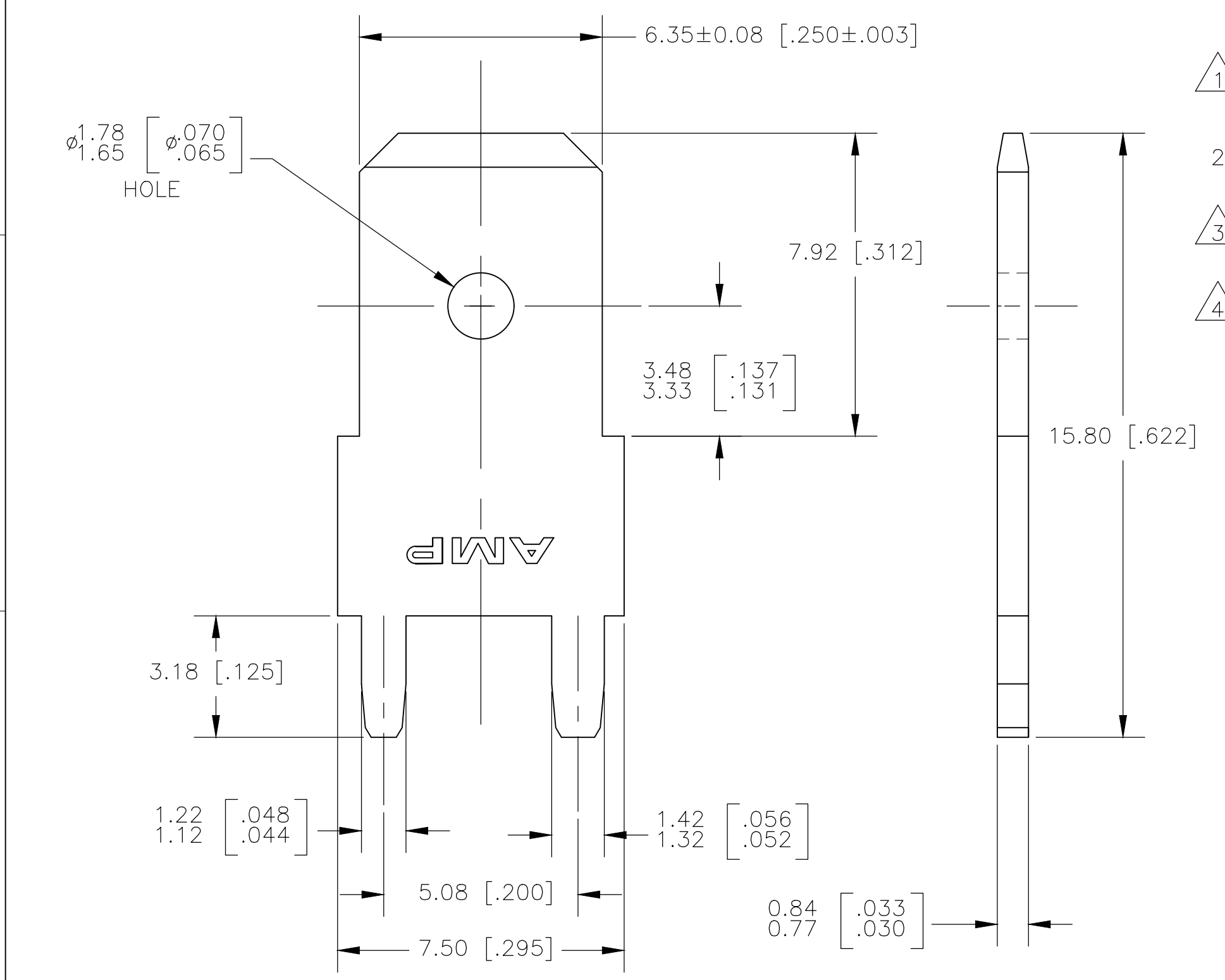
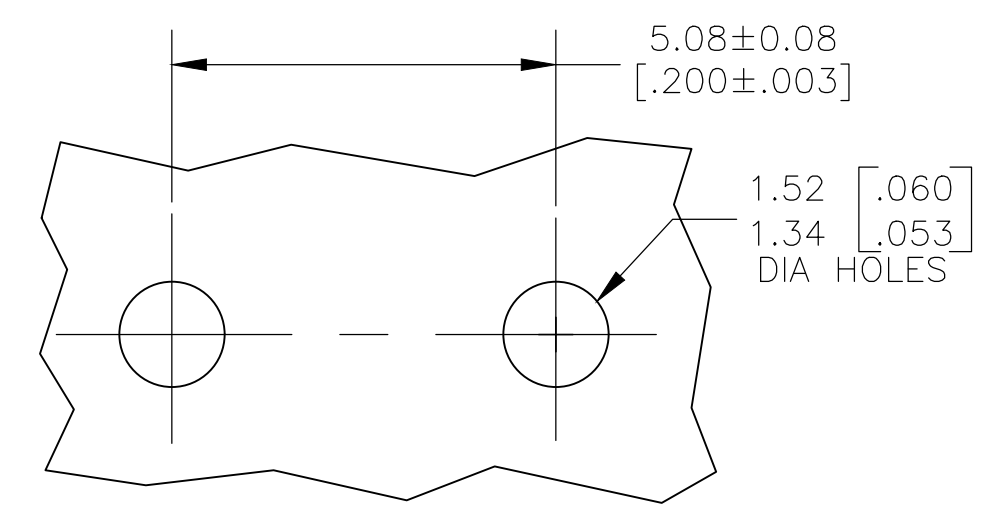


THIS DRAWING IS UNPUBLISHED. RELEASED FOR PUBLICATION
 © COPYRIGHT - By - ALL RIGHTS RESERVED.

REVISIONS					
P	LTR	DESCRIPTION	DATE	DWN	APVD
E3		REVISED PER ECR-19-019184	10DEC2019	BH	E.W

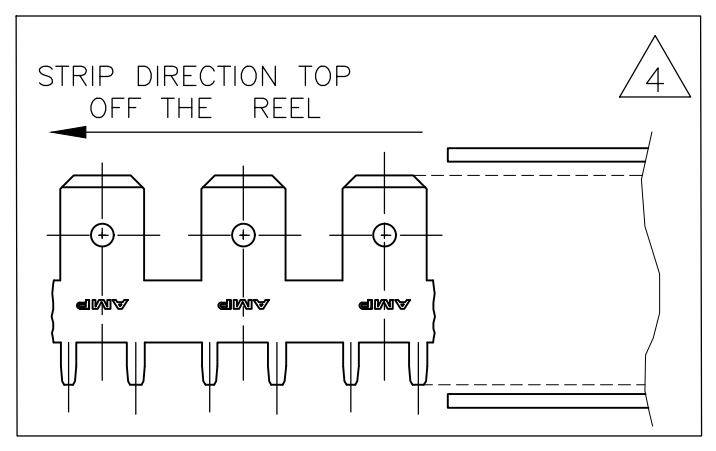


- 1 0.00381 [.000150] MIN TIN OVER
0.00254 [.000100] MIN THK COPPER.
- 2 CONTACT PITCH 10.67[.420] FOR STRIP
VERSION 1-1217056-0
- 3 MAX 3 SPLICES PER REEL ALLOWED FOR
STRIP VERSION 1-1217056-0.
- 4 PACKAGING: N. 6000 PCS IN STRIP MUST BE
PLACED ON REEL P/N 999449-3.
N.3 REELS PER BOX P/N 995536-1.
TOTAL: 18000 PCS/BOX.



P.C. BOARD HOLES
SCALE 10:1

3 4	STRIP	1-1217056-0
	LOOSE PIECE	1217056-1
	SUPPLYING CONDITION	PART NUMBER



THIS DRAWING IS A CONTROLLED DOCUMENT.		DWN JR RUTH 20MAR01	TE Connectivity NAME TAB, FASTON, PC BOARD, 6.35 [.250] SERIES				
DIMENSIONS: INCHES		CHK MS FEHER 20MAR01				PRODUCT SPEC	RESTRICTED TO
TOLERANCES UNLESS OTHERWISE SPECIFIED:		APVD N DEIBERT 20MAR01				APPLICATION SPEC	SIZE
MATERIAL BRASS		FINISH 1				WEIGHT 0.000000	CAGE CODE A300779
			DRAWING NO C-1217056	SCALE 8:1			
			CUSTOMER DRAWING	SHEET 1 OF 1			
				REV E3			

Mouser Electronics

Authorized Distributor

Click to View Pricing, Inventory, Delivery & Lifecycle Information:

[TE Connectivity:](#)

[1217056-1](#)