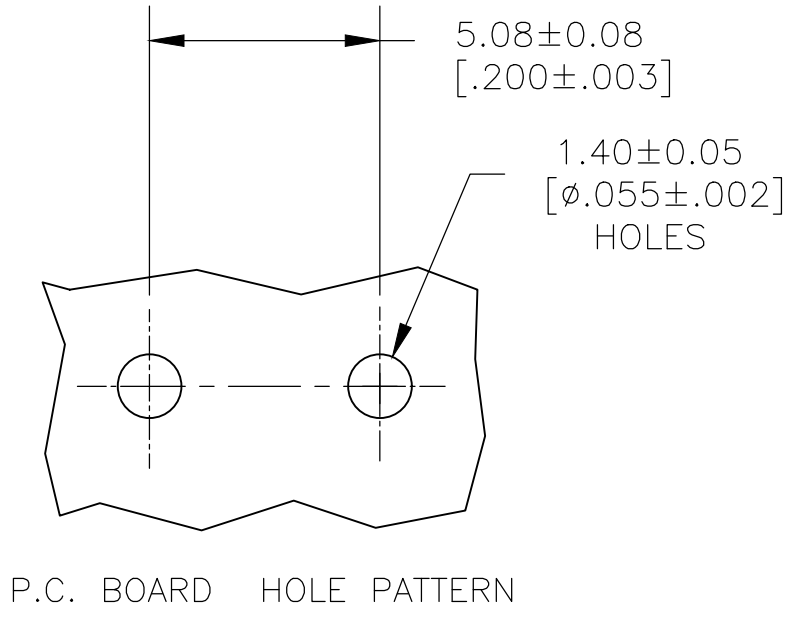
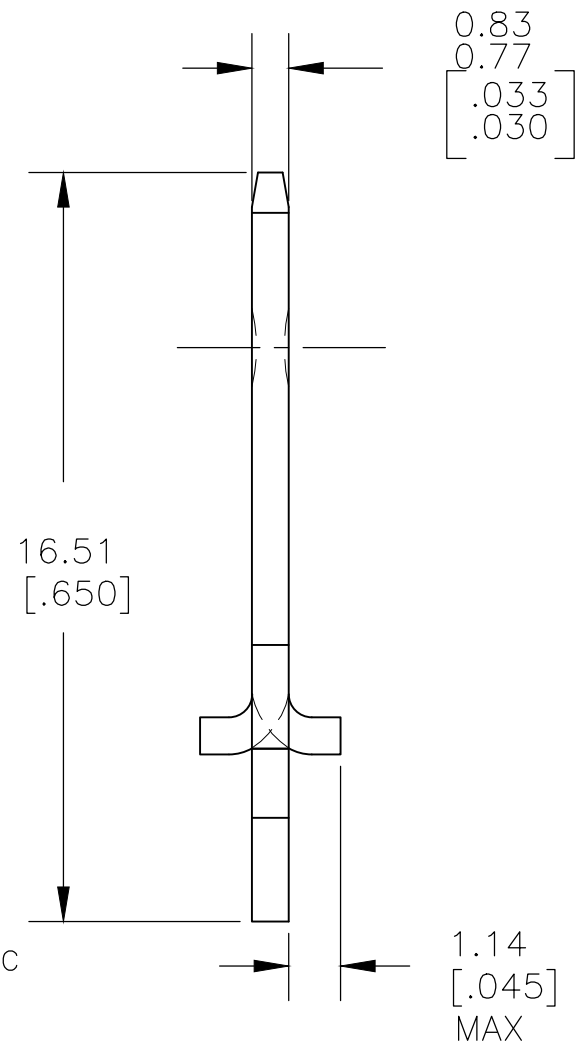
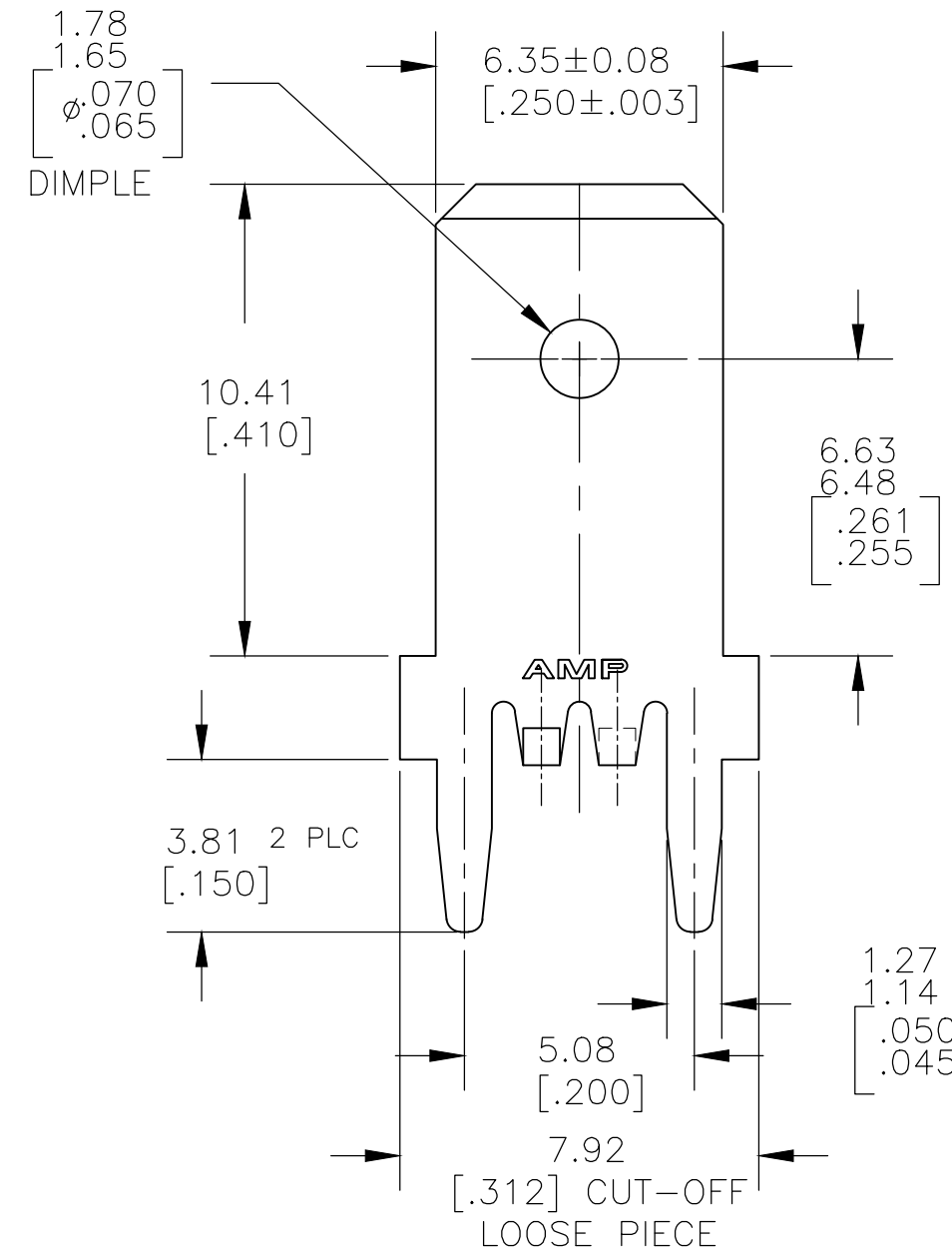


THIS DRAWING IS UNPUBLISHED. RELEASED FOR PUBLICATION
 © COPYRIGHT - By - ALL RIGHTS RESERVED.

REVISIONS					
P	LTR	DESCRIPTION	DATE	DWN	APVD
	E3	REVISED PER ECR-18-017165	16NOV2018	BDA	LB

- 1 CONTINUOUS STRIP ON REELS.
- 2 TIN PLATE 0.00381 [.000150] MIN OVER 0.00254 [.000100] MIN THK COPPER OR TIN PLATE 0.00381 [.000150] MIN OVER 0.00127 [.000050] MIN THK NICKEL.
- 3 LOOSE PIECE.
- 4 BRASS
- 5 BRASS, SPECIAL HARD



1	5	1217126-4
3	4	1217126-2
1	4	1217126-1
PART FORM	MATERIAL	PART NO.

THIS DRAWING IS A CONTROLLED DOCUMENT.		DWN JR RUTH 28MAR01	TE Connectivity				
DIMENSIONS: INCHES		CHK MS FEHER 28MAR01				NAME TAB, FASTON, P.C.BOARD 6.35 [.250]	
TOLERANCES UNLESS OTHERWISE SPECIFIED:		APVD N DEIBERT 28MAR01	PRODUCT SPEC				
0 PLC ± - 1 PLC ± - 2 PLC ± 0.25 [.010] 3 PLC ± - 4 PLC ± - ANGLES ± -		APPLICATION SPEC 114-2115	SIZE A3	CAGE CODE 00779	DRAWING NO C-1217126	RESTRICTED TO -	
MATERIAL SEE TABLE		FINISH 2	WEIGHT CUSTOMER DRAWING		SCALE 6:1	SHEET 1 OF 1	REV E3

Mouser Electronics

Authorized Distributor

Click to View Pricing, Inventory, Delivery & Lifecycle Information:

[TE Connectivity:](#)

[1217126-1](#)