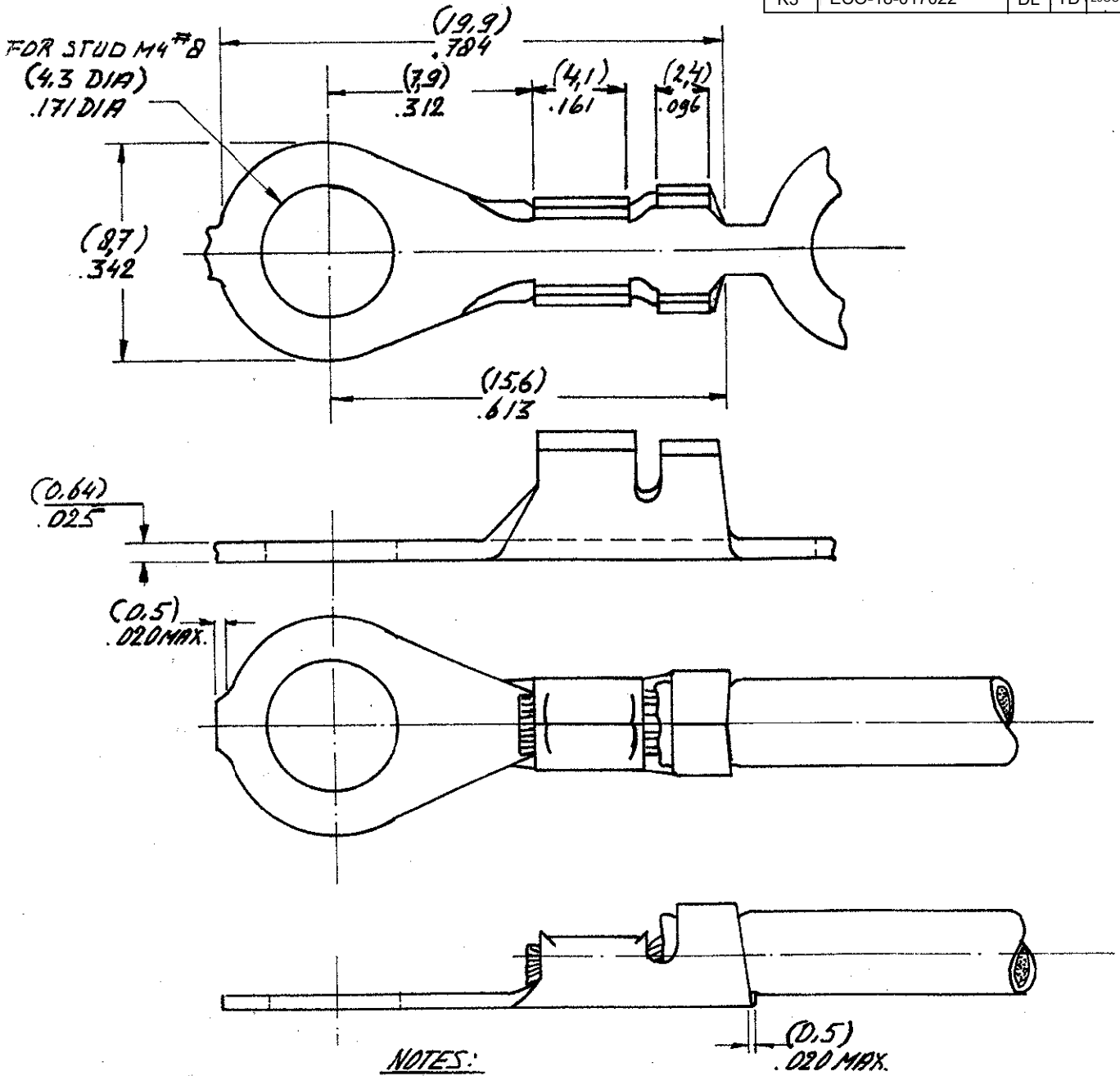


DRAWING MADE IN AMERICAN PROJECTION

LTR	REVISION RECORD	DWN	CHK	DATE
K3	ECO-18-017022	DL	TD	29OCT2018

C-160101



**NOTES:**

- ⚠ OBSOLETE PARTS: OBSOLETE CIS STREAMLINING PER D.RENAUD/D.SINISI
- 1 FOR USE ON MINIATURE APPLICATORS (LEFT-RIGHT FEED) AMP/D.I.ATOR APPLICATION
- 2 FOR USE ON STANDARD AND MINIATURE APPLICATORS.
- 3 REELED WITH PAPER COVER.

**CUSTOMER COPY FOR REFERENCE ONLY**



160101-9	STEEL	NICKELPLATED
160101-8	PHOSPH. BRONZE	---
160101-7	BRASS	---
160101-6	STEEL	NICKELPLATED
160101-4	BRASS	---
160101-3	PHOSPH. BRONZE	---
160101-2	BRASS	TIN PLATED
160101-1	BRASS	---

WIRE-RANGE	INSUL.-RANGE	FIRST USED
20-16 AWG 0.5-1.5mm <sup>2</sup>	080-120 DIA (20-30)	

ORDER NO.	MATERIAL	PLATING	SCALE	SIZE	NO	REV
DR U. SUSTEREN 25/11.00			N.T.S.	A	C-160101	K3
CHK 29/11.00			NAME	RING TONGUE WITH INS. SUPPORT		

DIMENSIONS IN (MM) DO NOT SCALE PRINT

# Mouser Electronics

Authorized Distributor

Click to View Pricing, Inventory, Delivery & Lifecycle Information:

[TE Connectivity:](#)

[160101-2](#)