

DO NOT SCALE

DIMENSIONS IN mm

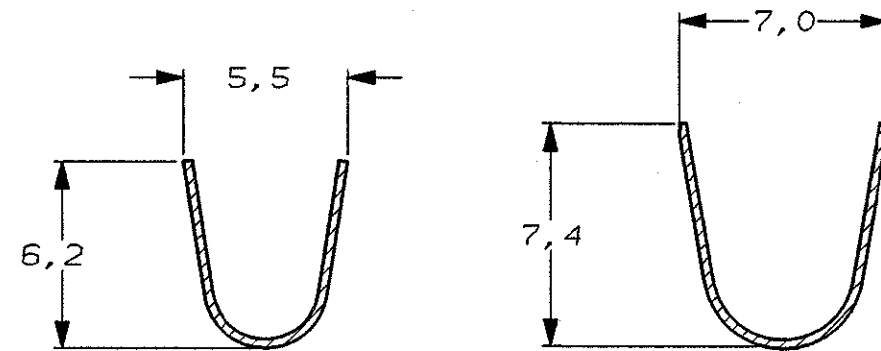
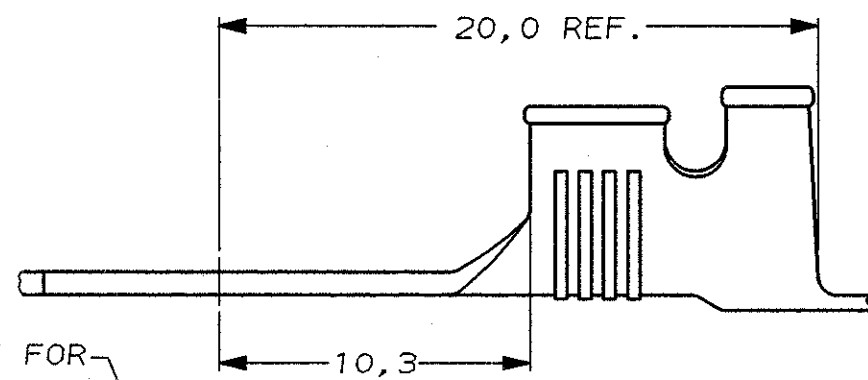
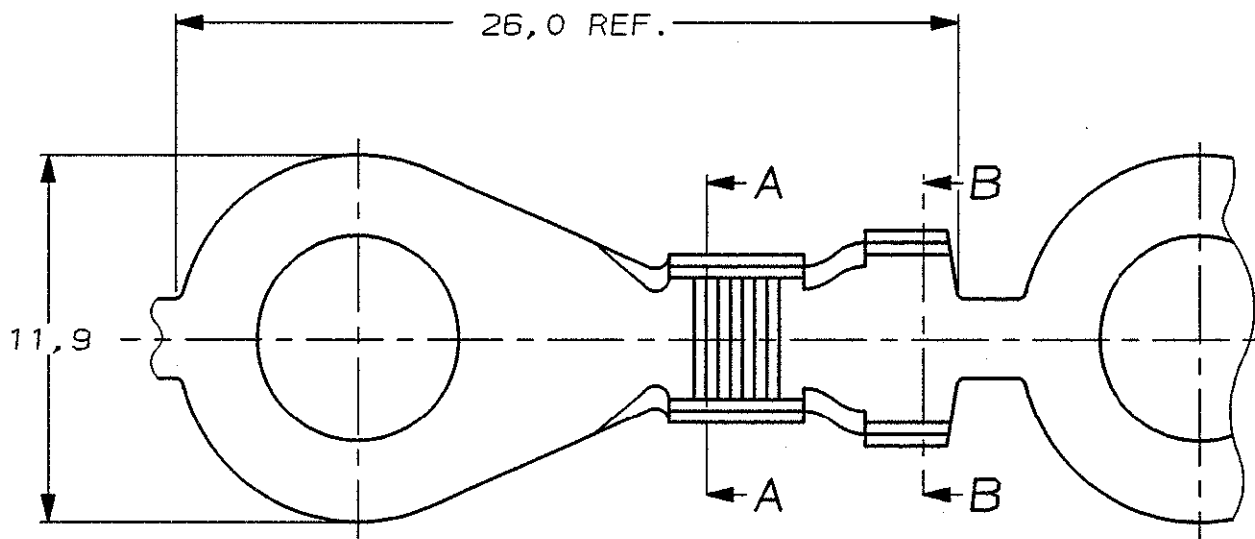
METRIC

THIRD ANGLE  
PROJECTION



NOTES:

- ① FOR USE ON STANDARD AND MINIATURE APPLICATORS.
- ② FOR USE ON MINIATURE APPLICATORS. (AMP-O-MATOR APPLICATION)
- ③ REELED WITH PAPER COVER.
- ④ REELED WITH PAPER AND WITH PAPERCOVER
- ⑤ OBSOLETE PARTS: OBSOLETE CIS STREAMLINING PER D.RENAUD/D.SINISI



SECTION A-A

SECTION B-B

6,7 DIA. HOLE FOR  
STUD M6.

0,5 MAX.

0,76

WIRE RANGE :  
3,1-5,3 mm<sup>2</sup>

INSULATION RANGE :  
3,8-5,3 DIA.

⑤ OBSOLETE	①	TINPLATED	PHOSPHOR BRONZE	<del>160181-7</del>
OBSOLETE	③ ①	UNPLATED	PHOSPHOR BRONZE	<del>160181-6</del>
	④ ①	UNPLATED	BRASS	160181-5
⑤ OBSOLETE	② ①	UNPLATED	BRASS	<del>160181-4</del>
	①	UNPLATED	PHOSPHOR BRONZE	<del>160181-3</del>
	② ①	TINPLATED	BRASS	160181-2
⑤ OBSOLETE	①	UNPLATED	BRASS	<del>160181-1</del>

NOTES	FINISH	MATERIAL	PARTNUMBER
<b>CUSTOMER DRAWING</b> FOR REFERENCE ONLY WILL NOT BE UPDATED			
© COPYRIGHT 19- BY TE HOLLAND B.V. ALL INTERNATIONAL RIGHTS RESERVED. TE PRODUCTS MAY BE COVERED BY U.S. AND FOREIGN AND/OR PATENTS PENDING.			
THIS DRAWING IS UNPUBLISHED RELEASED FOR PUBLICATION , 19			
C2	ECR-10-022530	KK HMR	02FEB11
C1	<b>ECO-09-026346</b>	KK AEG	25NOV09
C	EH-0334-94	HVD AB	20.06.94
B	H-9701	JvdH AB	14-04-92
LTR.	REVISION RECORD	DR.	CHK. DATE
DR.:	J.V.D.HEIJDEN.	CHK.:	A.BIJNEN.
DATE:	20-04-83	DATE:	28-04-83
APP.:	L.V.SOEST.	DATE:	28-04-83
DWG. No.		C-160181	REV. LTR.
			C2
SHEET		1 OF 1	A3



RING TONGUE.

# Mouser Electronics

Authorized Distributor

Click to View Pricing, Inventory, Delivery & Lifecycle Information:

[TE Connectivity:](#)

[160181-2](#)