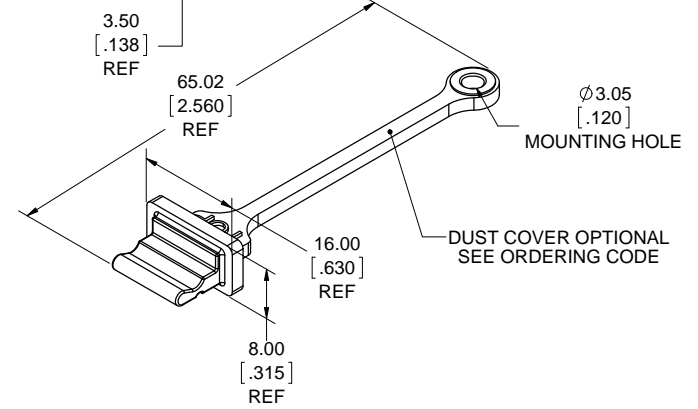
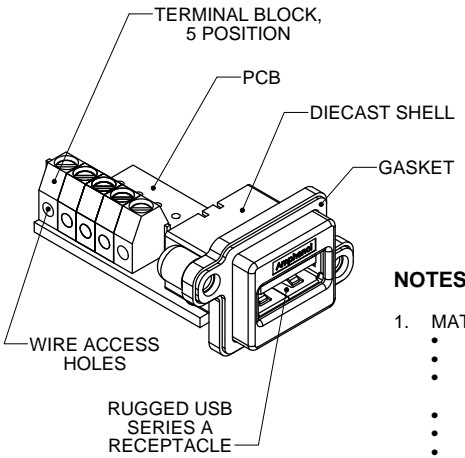
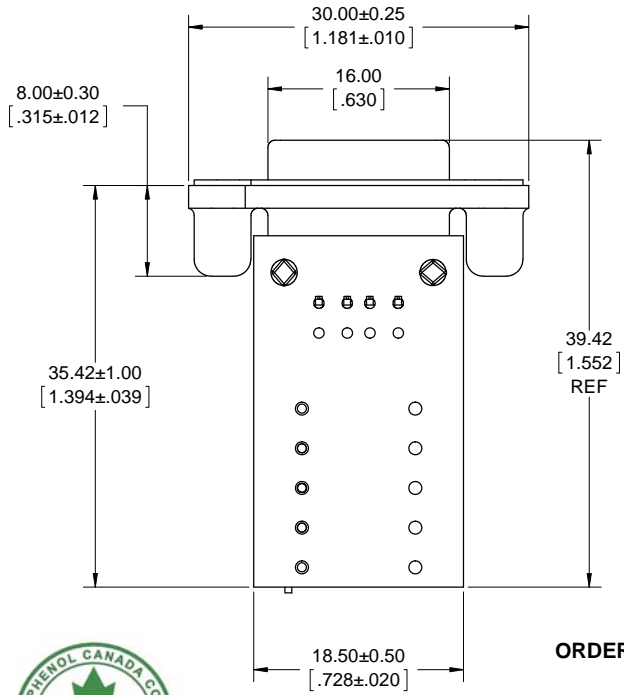
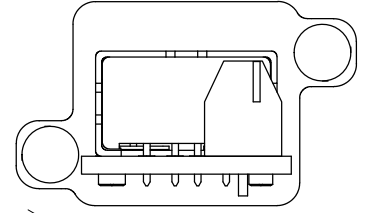
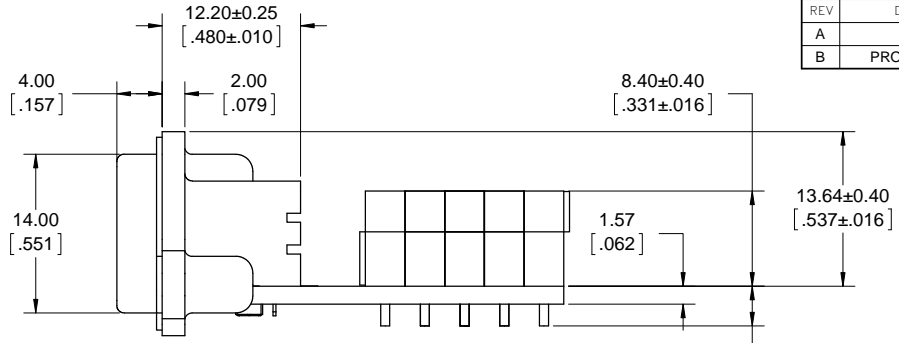
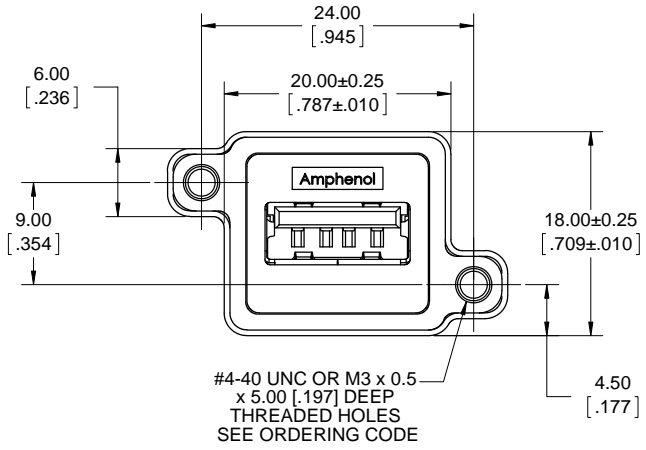


REVISIONS			
REV	DESCRIPTION, ECN, EAR NO.	DATE	APP'D
A	PRODUCT DRAWING	JUN22/07	A.G.
B	PRODUCT DRAWING (EAR 14291)	AUG06/14	K.L.



**NOTES:**

- MATERIAL:**
  - ALL MATERIALS ARE RoHS COMPLIANT PER EU DIRECTIVE 2011/65/EU AND AMENDMENTS.
  - OUTER SHELL - DIECAST ZINC ALLOY, NICKEL PLATED.
  - CONTACTS - PHOSPHOR BRONZE, PLATED WITH 0.76 µm (30 µ") MIN. GOLD OVER 1.27 µm (50 µ") MIN. NICKEL ON THE MATING AREA WITH TIN OVER NICKEL ON THE TAILS.
  - USB HOUSING - ENGINEERING THERMOPLASTIC, FLAMMABILITY RATING UL94V-0, BLACK.
  - USB SHIELD - STAINLESS STEEL, PASSIVATED.
  - USB BACK COVER - COPPER ALLOY, NICKEL PLATED.
  - GASKET - SILICONE RUBBER, BLACK.
  - PCB - FR-4 FIBERGLASS, LEAD FREE.
  - TERMINAL BLOCKS - ENGINEERING THERMOPLASTIC HOUSING (UL94V-0, BLACK) WITH COPPER ALLOY, TIN PLATED METAL HOUSING AND TERMINAL, STAINLESS STEEL WIRE GUARD AND ZINC PLATED STEEL M2 SCREW.
  - DUST COVER - SILICONE RUBBER WITH NICKEL PLATED BRASS BUSHING. SEE ORDERING CODE FOR DUST COVER OPTIONS.
- ENVIRONMENTAL PERFORMANCE PER IEC 60529 CODE IP67 FOR SEAL BETWEEN MATING AREA AND PCB SIDE OF CONNECTOR. GASKET PROVIDES SEAL TO INSIDE FACE OF ENCLOSURE PANEL. AVAILABLE DUST COVER PROVIDES ADDED PROTECTION.
- CURRENT RATING: 1.5 AMPERES
- CONTACT RESISTANCE: 80 MILLIOHMS MAXIMUM (SUBJECT TO VERIFICATION)
- OPERATING TEMPERATURE: -40 °C to +105 °C
- DUST COVERS MAY BE ORDERED SEPARATELY, SPECIFY
  - MUSB-2A111-014BP FOR GREY DUST COVER
  - MUSB-2A111-024BP FOR BLACK DUST COVER
 SEE SHEET 2 FOR APPLICATION VIEW

**ORDERING CODE: MUSB - A 4 1 1 - X X**

SERIES RUGGED USB  
 USB SERIES 'A' RECEPTACLE,  
 RIGHT ANGLE ON PCB WITH TERMINAL BLOCK  
 THREAD OPTION  
 3 = #4-40 UNC THREAD  
 M = M3 x 0.5 THREAD  
 DUST COVER OPTION  
 0 = NO DUST COVER SUPPLIED  
 1 = WITH GREY DUST COVER SUPPLIED  
 5 = WITH BLACK DUST COVER SUPPLIED



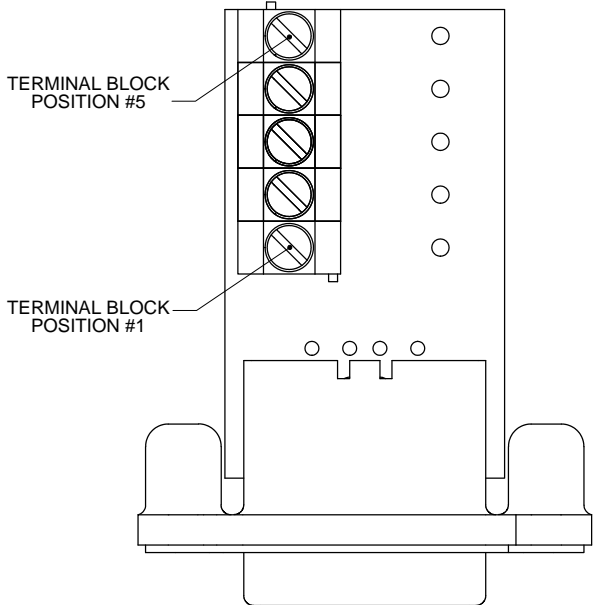
**SPECIAL CONNECTORS**  
 MANY UNIQUE FEATURES ARE READILY AVAILABLE TO SUIT CUSTOMER REQUIREMENTS. CONSULT WITH AMPHENOL CANADA FOR DETAILS.

UNLESS SPECIFIED OTHERWISE	DRAWN	L. KIM	JUN22/07
PRIMARY UNITS MILLIMETERS	CHECKED		
SECONDARY UNITS INCHES	M.E. APP'D		
REFERENCE IN PARENTHESES	Q.A. APP'D		
GENERAL TOLERANCES	DWG APPR.	A.GREEN	JUN22/07
1 DECIMAL PLACE	ENG. REL. NO.		
2 DECIMAL PLACES ±0.15	REF.		
3 DECIMAL PLACES	THIRD ANGLE PROJECTION		
ANGULAR DEGREES	DO NOT SCALE DRAWING		

**Amphenol Canada Corp.**  
**MUSB RUGGED SERIES 'A' USB RECEPTACLE, RIGHT ANGLE, ON PCB WITH TERMINAL BLOCK, THREAD AND DUST COVER OPTIONS, RoHS COMPLIANT**

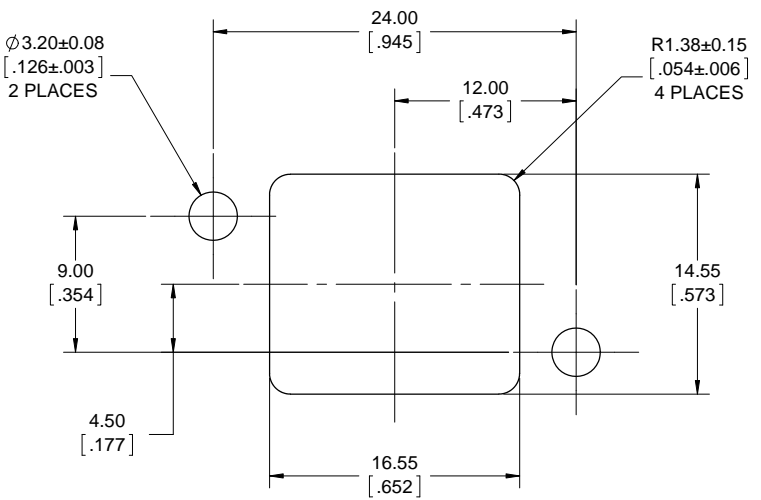
DWG. NO.	<b>P-MUSB-A411-XX</b>	REV	<b>B</b>
CODE ID NO. 03554	DWG SIZE: X	SCALE: 3:1	SHEET 1 OF 2

REVISIONS			
REV	DESCRIPTION, ECN, EAR NO.	DATE	APP'D
A	PRODUCT DRAWING	JUN22/07	A.G.
B	PRODUCT DRAWING (EAR 14291)	AUG06/14	K.L.

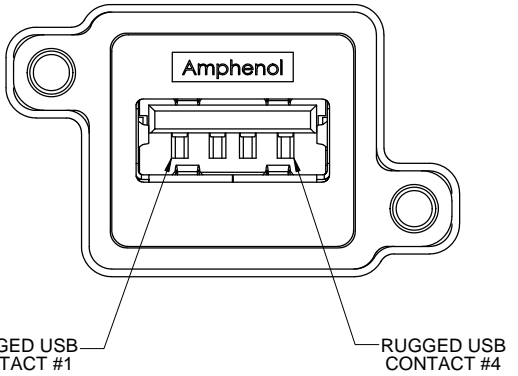


**MUSB TO TERMINAL BLOCK CONNECTION CHART**

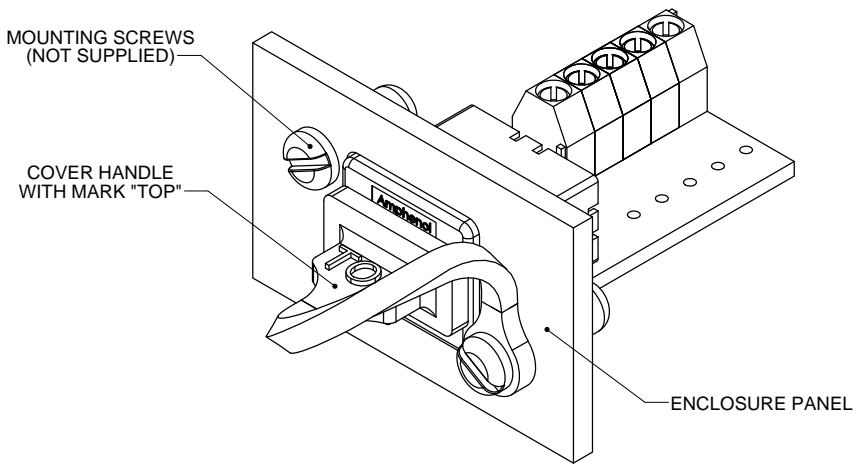
MUSB SERIES A RECEPTACLE	TERMINAL BLOCK
SHELL/GROUND	5
1	1
2	2
3	3
4	4



RECOMMENDED PANEL CUTOUT  
OUTSIDE VIEW OF PANEL



MUSB CONTACT ASSIGNMENT



DUST COVER APPLICATION



UNLESS SPECIFIED OTHERWISE	DRAWN	L. KIM	JUN22/07
PRIMARY UNITS MILLIMETERS	CHECKED		
SECONDARY INCHES	M.E. APP'D		
REFERENCE IN PARENTHESES	Q.A. APP'D		
GENERAL TOLERANCES	DWG APPR.	A.GREEN	JUN22/07
1 DECIMAL PLACE	ENG. REL. NO.		
2 DECIMAL PLACES ±0.15	REF.		
3 DECIMAL PLACES	THIRD ANGLE PROJECTION		
ANGULAR DEGREES	DO NOT SCALE DRAWING		

**Amphenol Canada Corp.**  
**MUSB RUGGED SERIES 'A' USB RECEPTACLE, RIGHT ANGLE, ON PCB WITH TERMINAL BLOCK, THREAD AND DUST COVER OPTIONS, RoHS COMPLIANT**

DWG. NO. **P-MUSB-A411-XX** REV **B**

CODE ID NO. 03554 DWG SIZE: X SCALE: 4:1 SHEET 2 OF 2