

LMC6024 Low Power CMOS Quad Operational Amplifier

Check for Samples: [LMC6024](#)

FEATURES

- Specified for 100 k Ω and 5 k Ω Loads
- High Voltage Gain 120 dB
- Low Offset Voltage Drift 2.5 $\mu\text{V}/^\circ\text{C}$
- Ultra Low Input Bias Current 40 fA
- Input Common-mode Range Includes V^-
- Operating Range from +5V to +15V Supply
- Low Distortion 0.01% at 1 kHz
- Slew Rate 0.11 V/ μs
- Micropower Operation 1 mW

APPLICATIONS

- High-impedance Buffer or Preamplifier
- Current-to-voltage Converter
- Long-term Integrator
- Sample-and-hold Circuit
- Peak Detector
- Medical Instrumentation
- Industrial Controls

Connection Diagram

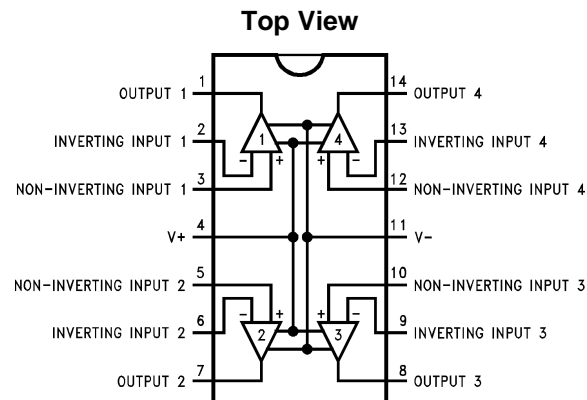


Figure 1. 14-Pin DIP and SOIC Package
See Package Number D0014A



These devices have limited built-in ESD protection. The leads should be shorted together or the device placed in conductive foam during storage or handling to prevent electrostatic damage to the MOS gates.



Please be aware that an important notice concerning availability, standard warranty, and use in critical applications of Texas Instruments semiconductor products and disclaimers thereto appears at the end of this data sheet.

All trademarks are the property of their respective owners.

Absolute Maximum Ratings ⁽¹⁾⁽²⁾

| | | |
|---|--------------------|--|
| Differential Input Voltage | | ±Supply Voltage |
| Supply Voltage (V ⁺ - V ⁻) | | 16V |
| Lead Temperature | Soldering, 10 sec. | 260°C |
| Storage Temperature Range | | -65°C to +150°C |
| Voltage at Output/Input Pin | | (V ⁺) + 0.3V, (V ⁻) - 0.3V |
| Current at Input Pin | | ±5 mA |
| Current at Output Pin | | ±18 mA |
| Current at Power Supply Pin | | 35 mA |
| Output Short Circuit to V ⁺ | | See ⁽³⁾ |
| Output Short Circuit to V ⁻ | | See ⁽⁴⁾ |
| Junction Temperature | | 150°C |
| ESD Tolerance ⁽⁵⁾ | | 1000V |
| Power Dissipation | | See ⁽⁶⁾ |

- (1) Absolute Maximum Ratings indicate limits beyond which damage to the component may occur. Operating Ratings indicate conditions for which the device is intended to be functional, but do not guarantee specific performance limits. For guaranteed specifications and test conditions, see the Electrical Characteristics. The guaranteed specifications apply only for the test conditions listed.
- (2) If Military/Aerospace specified devices are required, please contact the Texas Instruments Sales Office/ Distributors for availability and specifications.
- (3) Do not connect output to V⁺ when V⁺ is greater than 13V or reliability may be adversely affected.
- (4) Applies to both single-supply and split-supply operation. Continuous short circuit operation at elevated ambient temperature and/or multiple Op Amp shorts can result in exceeding the maximum allowed junction temperature of 150°C. Output currents in excess of ±30 mA over long term may adversely affect reliability.
- (5) Human body model, 100 pF discharge through a 1.5 kΩ resistor.
- (6) The maximum power dissipation is a function of T_{J(max)}, θ_{JA}, and T_A. The maximum allowable power dissipation at any ambient temperature is $P_D = (T_{J(max)} - T_A)/\theta_{JA}$.

Operating Ratings

| | | |
|--|-------------|--------------------------------|
| Temperature Range | | -40°C ≤ T _J ≤ +85°C |
| Supply Voltage Range | | 4.75V to 15.5V |
| Power Dissipation | | See ⁽¹⁾ |
| Thermal Resistance (θ _{JA}) ⁽²⁾ | 14-Pin DIP | 85°C/W |
| | 14-Pin SOIC | 115°C/W |

- (1) For operating at elevated temperatures the device must be derated based on the thermal resistance θ_{JA} with $P_D = (T_J - T_A)/\theta_{JA}$.
- (2) All numbers apply for packages soldered directly into a PC board.

DC Electrical Characteristics

The following specifications apply for $V^+ = 5V$, $V^- = 0V$, $V_{CM} = 1.5V$, $V_O = 2.5V$, and $R_L = 1M$ unless otherwise noted.

Boldface limits apply at the temperature extremes; all other limits $T_J = 25^\circ C$.

| Parameter | | Test Conditions | | Typical ⁽¹⁾ | LMC6024I Limit ⁽²⁾ | Units | | |
|---|---------------------------------------|---|--------------|--|-------------------------------|------------------|-------------|----------|
| V_{OS} | Input Offset Voltage | | | 1 | 9 | mV | | |
| | | | | | 11 | Max | | |
| $\Delta V_{OS}/\Delta T$ | Input Offset Voltage Average Drift | | | 2.5 | | $\mu V/^\circ C$ | | |
| I_B | Input Bias Current | | | 0.04 | | pA | | |
| | | | | | 200 | Max | | |
| I_{OS} | Input Offset Current | | | 0.01 | 100 | pA Max | | |
| R_{IN} | Input Resistance | | | >1 | | Tera Ω | | |
| CMRR | Common Mode Rejection Ratio | $0V \leq V_{CM} \leq 12V$ | | 83 | 63 | dB Min | | |
| | | $V^+ = 15V$ | | | 61 | | | |
| +PSRR | Positive Power Supply Rejection Ratio | $5V \leq V^+ \leq 15V$ | | 83 | 63 | dB Min | | |
| | | | | | 61 | | | |
| -PSRR | Negative Power Supply Rejection Ratio | $0V \leq V^- \leq -10V$ | | 94 | 74 | dB Min | | |
| | | | | | 73 | | | |
| V_{CM} | Input Common-Mode Voltage Range | $V^+ = 5V$ and $15V$ For CMRR ≥ 50 DB | | -0.4 | -0.1 | V Max | | |
| | | | | | 0 | | | |
| | | | | $V^+ - 1.9$ | $V^+ - 2.3$ | V Min | | |
| | | | | | $V^+ - 2.5$ | | | |
| A_V | Large Signal Voltage Gain | $R_L = 100\text{ k}\Omega^{(3)}$ | Sourcing | 1000 | 200 | V/mV Min | | |
| | | | | | 100 | | | |
| | | | Sinking | 500 | 90 | V/mV Min | | |
| | | | | | 40 | | | |
| | | $R_L = 5\text{ k}\Omega^{(3)}$ | Sourcing | 1000 | 100 | V/mV Min | | |
| | | | | | 75 | | | |
| | | | Sinking | 250 | 50 | V/mV Min | | |
| | | | | | 20 | | | |
| V_O | Output Voltage Swing | $V^+ = 5V$ $R_L = 100\text{ k}\Omega$ to $2.5V$ | | 4.987 | 4.40 | V Min | | |
| | | | | | 4.43 | | | |
| | | | | 0.004 | 0.06 | V Max | | |
| | | | | | 0.09 | | | |
| | | | | $V^+ = 5V$ $R_L = 5\text{ k}\Omega$ to $2.5V$ | | 4.940 | 4.20 | V Min |
| | | | | | | | 4.00 | |
| | | 0.040 | 0.25 | | | V Max | | |
| | | | 0.35 | | | | | |
| | | $V^+ = 15V$ $R_L = 100\text{ k}\Omega$ to $7.5V$ | | 14.970 | 14.00 | V Min | | |
| | | | | | 13.90 | | | |
| | | | | 0.007 | 0.06 | V Max | | |
| | | | | | 0.09 | | | |
| $V^+ = 15V$ $R_L = 5\text{ k}\Omega$ to $7.5V$ | | 14.840 | 13.70 | V Min | | | | |
| | | | 13.50 | | | | | |
| | | 0.110 | 0.32 | V Max | | | | |
| | | | 0.40 | | | | | |

(1) Typical values represent the most likely parametric norm.

(2) All limits are guaranteed by testing or correlation.

(3) $V^+ = 15V$, $V_{CM} = 7.5V$, and R_L connected to $7.5V$. For Sourcing tests, $7.5V \leq V_O \leq 11.5V$. For Sinking tests, $2.5V \leq V_O \leq 7.5V$.

DC Electrical Characteristics (continued)

The following specifications apply for $V^+ = 5V$, $V^- = 0V$, $V_{CM} = 1.5V$, $V_O = 2.5V$, and $R_L = 1M$ unless otherwise noted.

Boldface limits apply at the temperature extremes; all other limits $T_J = 25^\circ C$.

| Parameter | | Test Conditions | Typical ⁽¹⁾ | LMC6024I Limit ⁽²⁾ | Units |
|-----------|----------------|--|------------------------|----------------------------------|----------------|
| I_O | Output Current | $V^+ = 5V$ Sourcing, $V_O = 0V$ Sinking $V_O = 5V$ ⁽⁴⁾ | 22 | 13 | mA Min |
| | | | | 9 | |
| | | | 21 | 13 | mA Min |
| | | | | 9 | |
| | | $V^+ = 15V$ Sourcing, $V_O = 0V$ Sinking, $V_O = 13V$ ⁽⁵⁾ | 40 | 23 | mA Min |
| | | | | 15 | |
| | | 39 | 23 | mA Min | |
| | | | 15 | | |
| I_S | Supply Current | All Four Amplifiers $V_O = 1.5V$ | 160 | 240 | μA Max |
| | | | | 280 | |

(4) Applies to both single-supply and split-supply operation. Continuous short circuit operation at elevated ambient temperature and/or multiple Op Amp shorts can result in exceeding the maximum allowed junction temperature of $150^\circ C$. Output currents in excess of ± 30 mA over long term may adversely affect reliability.

(5) Do not connect output to V^+ when V^+ is greater than 13V or reliability may be adversely affected.

AC Electrical Characteristics

The following specifications apply for $V^+ = 5V$, $V^- = 0V$, $V_{CM} = 1.5V$, $V_O = 2.5V$, and $R_L = 1M$ unless otherwise noted.

Boldface limits apply at the temperature extremes; all other limits $T_J = 25^\circ C$.

| Parameter | | Test Conditions | Typical ⁽¹⁾ | LMC6024I Limit ⁽²⁾ | Units |
|------------|------------------------------|--------------------|------------------------|----------------------------------|-------------------|
| SR | Slew Rate | See ⁽³⁾ | 0.11 | 0.05 | V/ μs Min |
| | | | | 0.03 | |
| GBW | Gain-Bandwidth Product | | 0.35 | | MHz |
| θ_M | Phase Margin | | 50 | | Deg |
| G_M | Gain Margin | | 17 | | dB |
| | Amp-to-Amp Isolation | See ⁽⁴⁾ | 130 | | dB |
| e_n | Input-Referred Voltage Noise | $F = 1$ kHz | 42 | | nV/ \sqrt{Hz} |
| i_n | Input-Referred Current Noise | $F = 1$ kHz | 0.0002 | | pA/ \sqrt{Hz} |

(1) Typical values represent the most likely parametric norm.

(2) All limits are guaranteed by testing or correlation.

(3) $V^+ = 15V$. Connected as Voltage Follower with 10V step input. Number specified is the slower of the positive and negative slew rates.

(4) Input referred, $V^+ = 15V$ and $R_L = 100$ k Ω connected to 7.5V. Each amp excited in turn with 1 kHz to produce $V_O = 13$ V_{PP}.

Typical Performance Characteristics

$V_S = \pm 7.5V$, $T_A = 25^\circ C$ unless otherwise specified

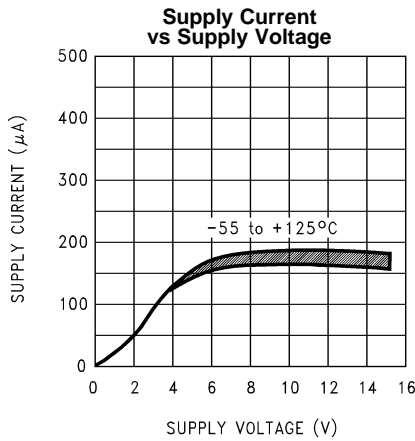


Figure 2.

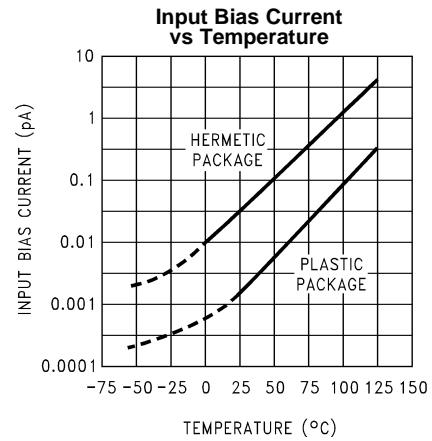


Figure 3.

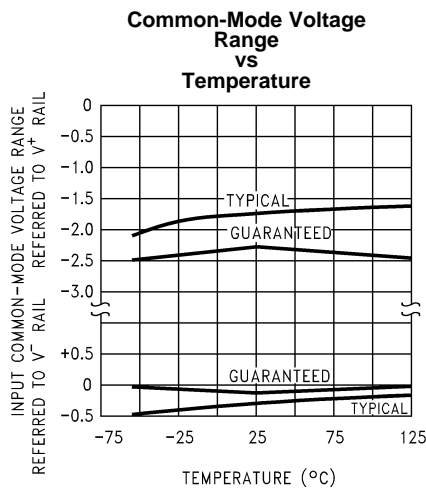


Figure 4.

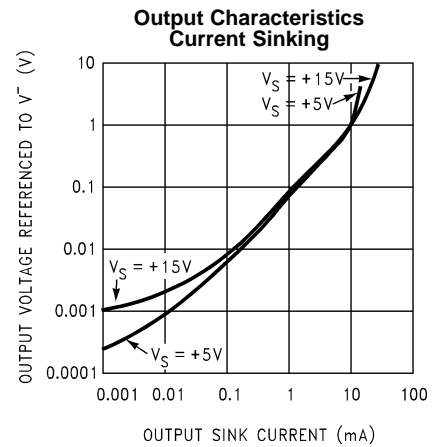


Figure 5.

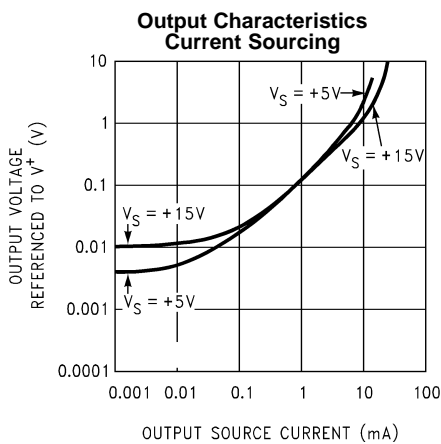


Figure 6.

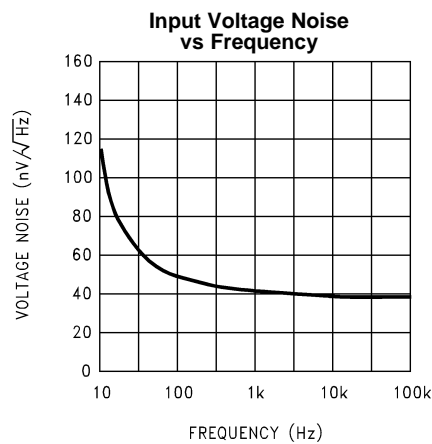


Figure 7.

Typical Performance Characteristics (continued)

$V_S = \pm 7.5V$, $T_A = 25^\circ C$ unless otherwise specified

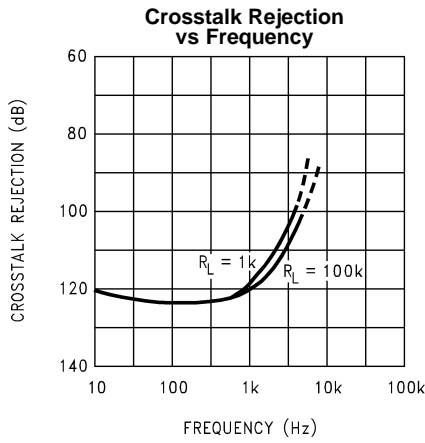


Figure 8.

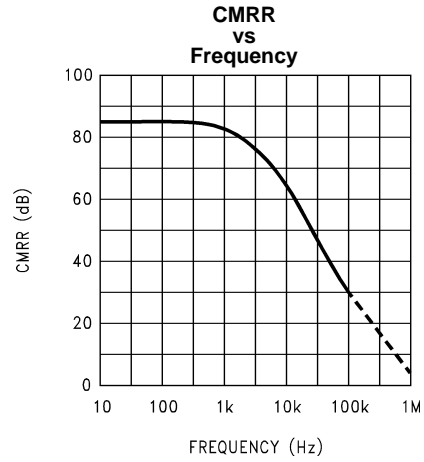


Figure 9.

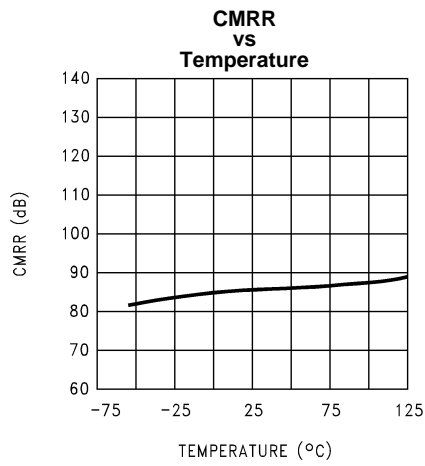


Figure 10.

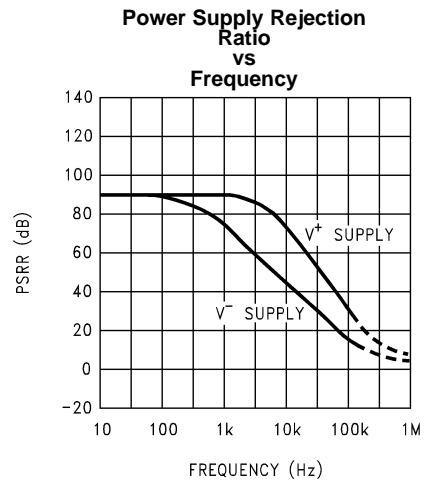


Figure 11.

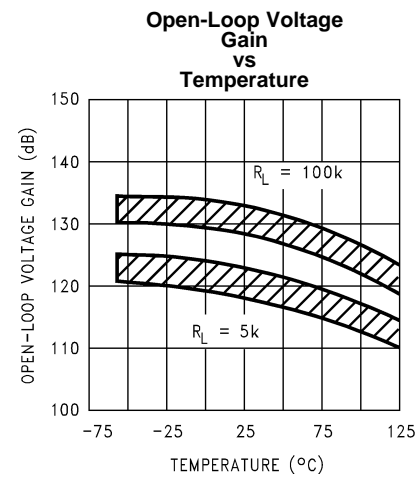


Figure 12.

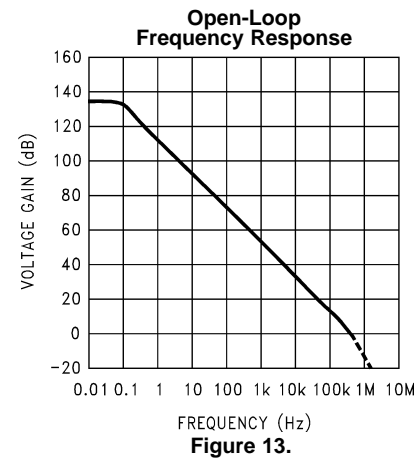


Figure 13.

Typical Performance Characteristics (continued)

$V_S = \pm 7.5V$, $T_A = 25^\circ C$ unless otherwise specified

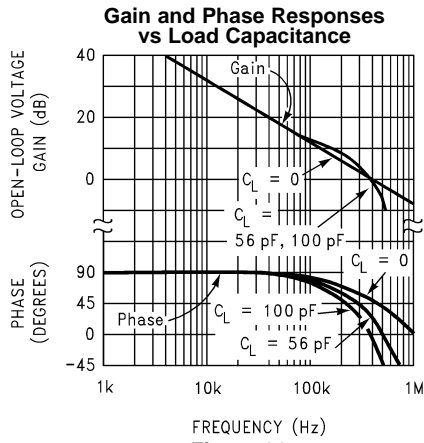


Figure 14.

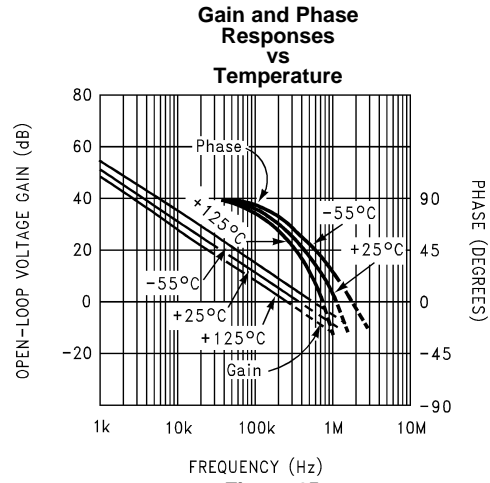


Figure 15.

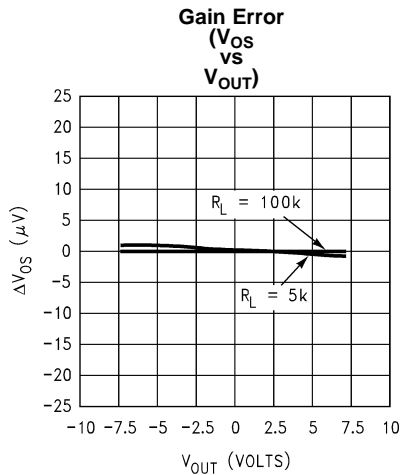


Figure 16.

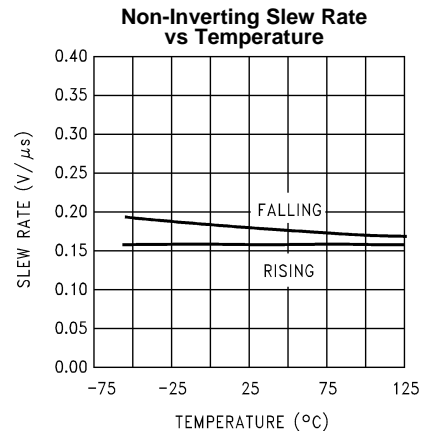


Figure 17.

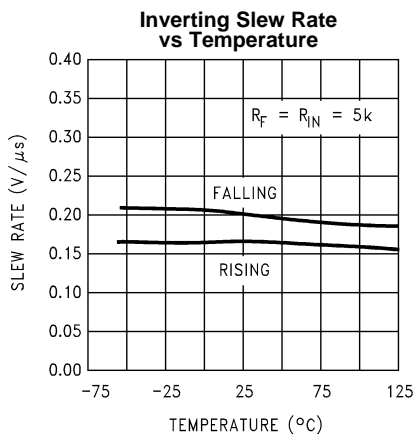


Figure 18.

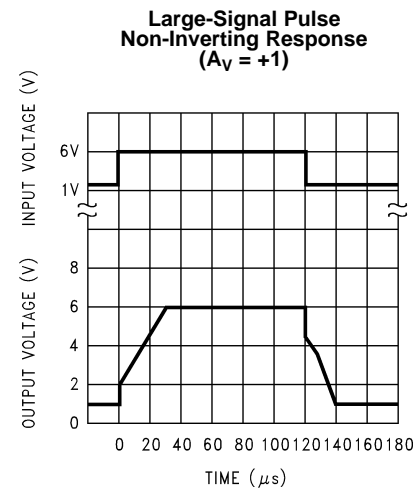


Figure 19.

Typical Performance Characteristics (continued)

$V_S = \pm 7.5V$, $T_A = 25^\circ C$ unless otherwise specified

Non-Inverting Small Signal Pulse Response ($A_V = +1$)

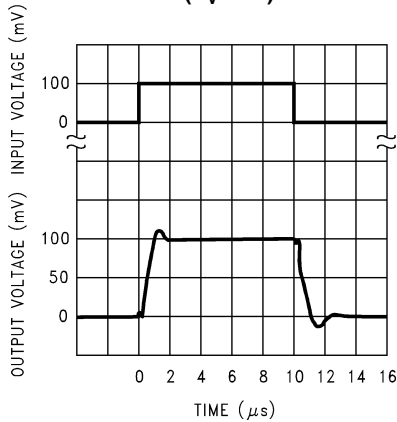


Figure 20.

Inverting Large-Signal Pulse Response

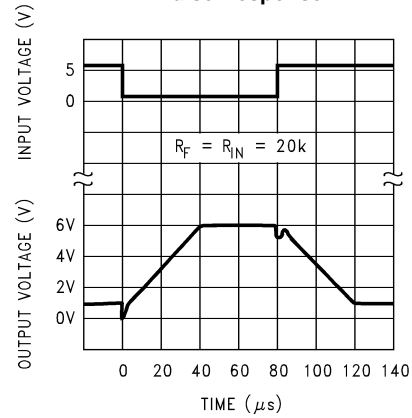


Figure 21.

Inverting Small-Signal Pulse Response

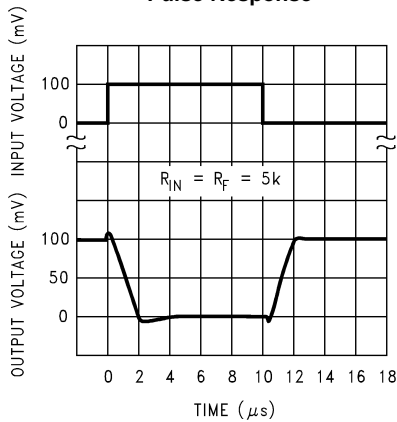
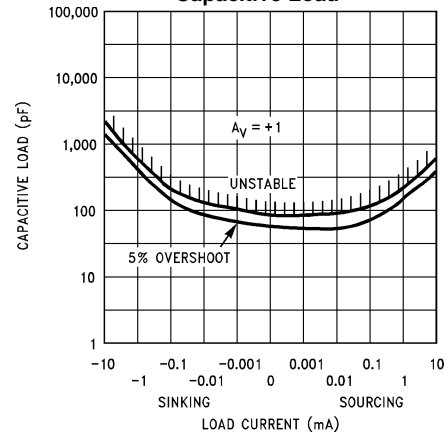


Figure 22.

Stability vs Capacitive Load



Avoid resistive loads of less than 500Ω, as they may cause instability.

Figure 23.

Stability vs Capacitive Load

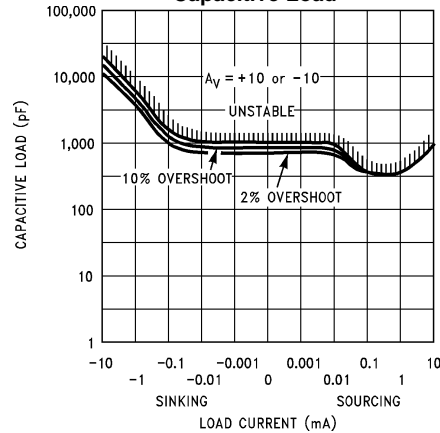


Figure 24.

APPLICATION HINTS

AMPLIFIER TOPOLOGY

The topology chosen for the LMC6024 is unconventional (compared to general-purpose op amps) in that the traditional unity-gain buffer output stage is not used; instead, the output is taken directly from the output of the integrator, to allow rail-to-rail output swing. Since the buffer traditionally delivers the power to the load, while maintaining high op amp gain and stability, and must withstand shorts to either rail, these tasks now fall to the integrator.

As a result of these demands, the integrator is a compound affair with an embedded gain stage that is doubly fed forward (via C_f and C_{ff}) by a dedicated unity-gain compensation driver. In addition, the output portion of the integrator is a push-pull configuration for delivering heavy loads. While sinking current the whole amplifier path consists of three gain stages with one stage fed forward, whereas while sourcing the path contains four gain stages with two fed forward.

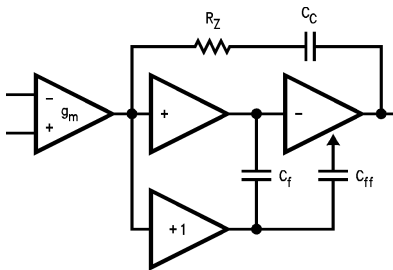


Figure 25. LMC6024 Circuit Topology (Each Amplifier)

The large signal voltage gain while sourcing is comparable to traditional bipolar op amps, for load resistance of at least 5 k Ω . The gain while sinking is higher than most CMOS op amps, due to the additional gain stage; however, when driving load resistance of 5 k Ω or less, the gain will be reduced as indicated in the Electrical Characteristics. The op amp can drive load resistance as low as 500 Ω without instability.

COMPENSATING INPUT CAPACITANCE

Refer to the LMC660 or LMC662 datasheets to determine whether or not a feedback capacitor will be necessary for compensation and what the value of that capacitor would be.

CAPACITIVE LOAD TOLERANCE

Like many other op amps, the LMC6024 may oscillate when its applied load appears capacitive. The threshold of oscillation varies both with load and circuit gain. The configuration most sensitive to oscillation is a unity-gain follower. See the [Typical Performance Characteristics](#).

The load capacitance interacts with the op amp's output resistance to create an additional pole. If this pole frequency is sufficiently low, it will degrade the op amp's phase margin so that the amplifier is no longer stable at low gains. The addition of a small resistor (50 Ω to 100 Ω) in series with the op amp's output, and a capacitor (5 pF to 10 pF) from inverting input to output pins, returns the phase margin to a safe value without interfering with lower-frequency circuit operation. Thus, larger values of capacitance can be tolerated without oscillation. Note that in all cases, the output will ring heavily when the load capacitance is near the threshold for oscillation.

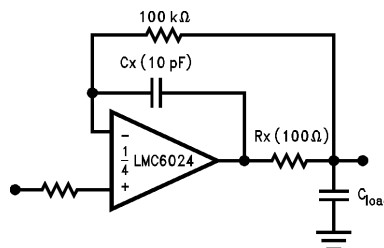


Figure 26. Rx, Cx Improve Capacitive Load Tolerance

Capacitive load driving capability is enhanced by using a pull up resistor to V^+ (Figure 27). Typically a pull up resistor conducting $50\ \mu\text{A}$ or more will significantly improve capacitive load responses. The value of the pull up resistor must be determined based on the current sinking capability of the amplifier with respect to the desired output swing. Open loop gain of the amplifier can also be affected by the pull up resistor (see [DC Electrical Characteristics](#)).

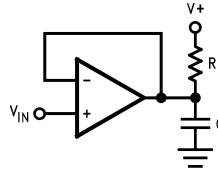


Figure 27. Compensating for Large Capacitive Loads with a Pull Up Resistor

PRINTED-CIRCUIT-BOARD LAYOUT FOR HIGH-IMPEDANCE WORK

It is generally recognized that any circuit which must operate with less than $1000\ \text{pA}$ of leakage current requires special layout of the PC board. When one wishes to take advantage of the ultra-low bias current of the LMC6024, typically less than $0.04\ \text{pA}$, it is essential to have an excellent layout. Fortunately, the techniques for obtaining low leakages are quite simple. First, the user must not ignore the surface leakage of the PC board, even though it may sometimes appear acceptably low, because under conditions of high humidity or dust or contamination, the surface leakage will be appreciable.

To minimize the effect of any surface leakage, lay out a ring of foil completely surrounding the LMC6024's inputs and the terminals of capacitors, diodes, conductors, resistors, relay terminals, etc. connected to the op-amp's inputs. See Figure 28. To have a significant effect, guard rings should be placed on both the top and bottom of the PC board. This PC foil must then be connected to a voltage which is at the same voltage as the amplifier inputs, since no leakage current can flow between two points at the same potential. For example, a PC board trace-to-pad resistance of 10^{12} ohms, which is normally considered a very large resistance, could leak $5\ \text{pA}$ if the trace were a 5V bus adjacent to the pad of an input. This would cause a 100 times degradation from the LMC6024's actual performance. However, if a guard ring is held within $5\ \text{mV}$ of the inputs, then even a resistance of 10^{11} ohms would cause only $0.05\ \text{pA}$ of leakage current, or perhaps a minor (2:1) degradation of the amplifier's performance. See Figure 28, Figure 30, and Figure 31 for typical connections of guard rings for standard op-amp configurations. If both inputs are active and at high impedance, the guard can be tied to ground and still provide some protection; see Figure 32.

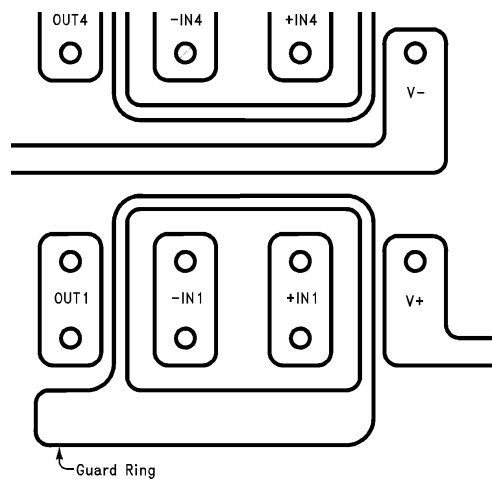


Figure 28. Example of Guard Ring in P.C. Board Layout (Using the LMC6024)

Guard Ring Connections

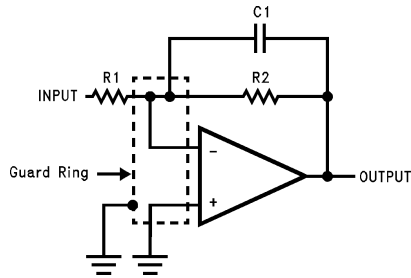


Figure 29. Inverting Amplifier Guard Ring Connections

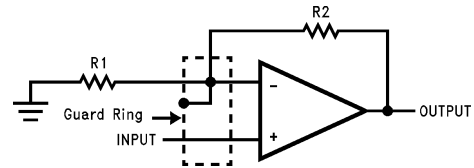


Figure 30. Non-Inverting Amplifier Guard Ring Connections

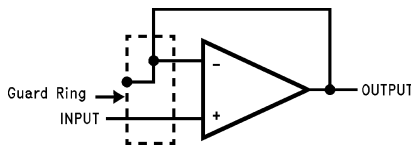


Figure 31. Follower Guard Ring Connections

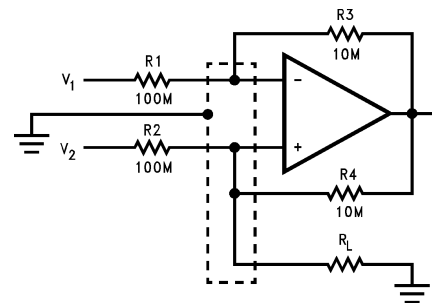
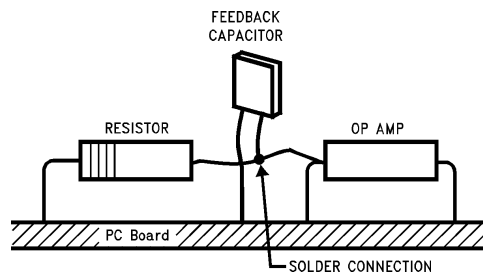


Figure 32. Howland Current Pump Guard Ring Connections

The designer should be aware that when it is inappropriate to lay out a PC board for the sake of just a few circuits, there is another technique which is even better than a guard ring on a PC board: Don't insert the amplifier's input pin into the board at all, but bend it up in the air and use only air as an insulator. Air is an excellent insulator. In this case you may have to forego some of the advantages of PC board construction, but the advantages are sometimes well worth the effort of using point-to-point up-in-the-air wiring. See [Figure 33](#).



(Input pins are lifted out of PC board and soldered directly to components. All other pins connected to PC board.)

Figure 33. Air Wiring

BIAS CURRENT TESTING

The test method of [Figure 34](#) is appropriate for bench-testing bias current with reasonable accuracy. To understand its operation, first close switch S2 momentarily. When S2 is opened, then

$$I^- = \frac{dV_{OUT}}{dt} \times C2. \quad (1)$$

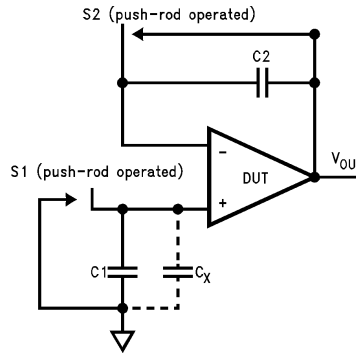


Figure 34. Simple Input Bias Current Test Circuit

A suitable capacitor for C2 would be a 5 pF or 10 pF silver mica, NPO ceramic, or air-dielectric. When determining the magnitude of I^- , the leakage of the capacitor and socket must be taken into account. Switch S2 should be left shorted most of the time, or else the dielectric absorption of the capacitor C2 could cause errors.

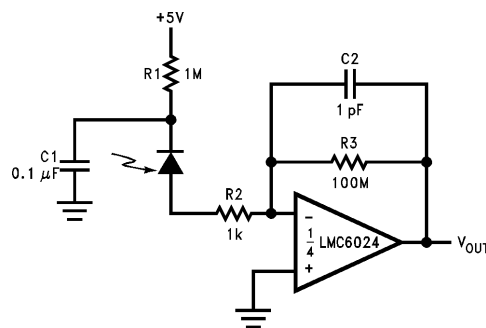
Similarly, if S1 is shorted momentarily (while leaving S2 shorted)

$$I^+ = \frac{dV_{OUT}}{dt} \times (C1 + C_x) \quad (2)$$

where C_x is the stray capacitance at the +input.

Typical Single-Supply Applications

($V^+ = 5.0 V_{DC}$)

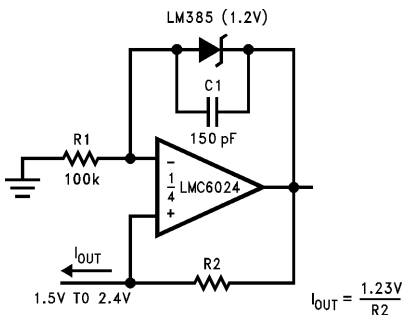


A 5V bias on the photodiode can cut its capacitance by a factor of 2 or 3, leading to improved response and lower noise. However, this bias on the photodiode will cause photodiode leakage (also known as its dark current).

Figure 35. Photodiode Current-to-Voltage Converter

($V^+ = 5.0 V_{DC}$)

Figure 36.



(Upper limit of output range dictated by input common-mode range; lower limit dictated by minimum current requirement of LM385.)

Figure 37. Micropower Current Source

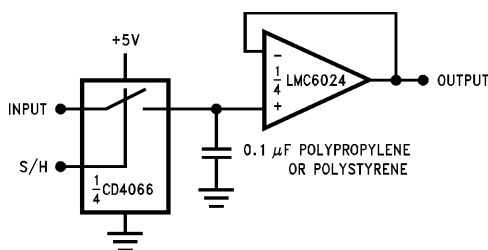
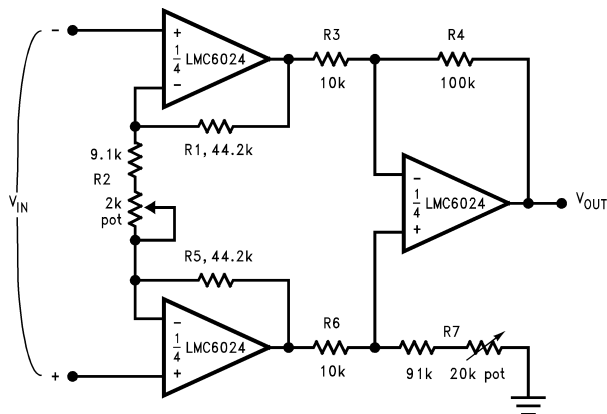


Figure 38. Low-Leakage Sample-and-Hold



If $R1 = R5$, $R3 = R6$, and $R4 = R7$;

Then

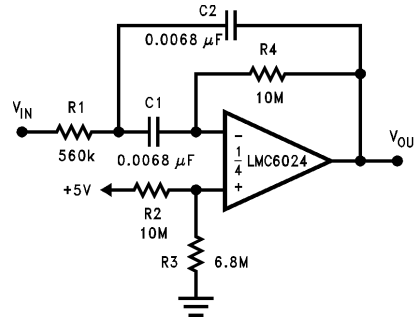
$$\frac{V_{OUT}}{V_{IN}} = \frac{R2 + 2R1}{R2} \times \frac{R4}{R3}$$

$\therefore A_v \approx 100$ for circuit shown.

For good CMRR over temperature, low drift resistors should be used. Matching of $R3$ to $R6$ and $R4$ to $R7$ affects CMRR. Gain may be adjusted through $R2$. CMRR may be adjusted through $R7$.

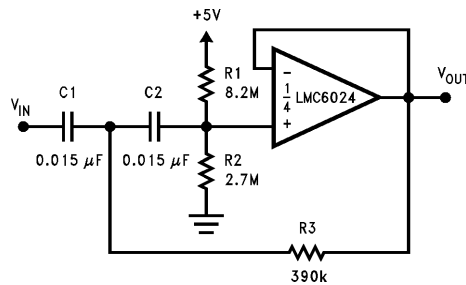
Figure 39. Instrumentation Amplifier

($V^+ = 5.0 V_{DC}$)



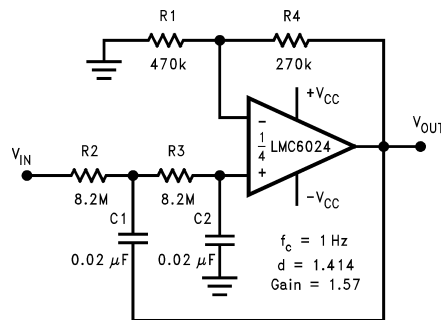
$f_0 = 10 \text{ Hz}$
 $Q = 2.1$
 Gain = -8.8

Figure 40. 10 Hz Bandpass Filter



$f_c = 10 \text{ Hz}$
 $d = 0.895$
 Gain = 1

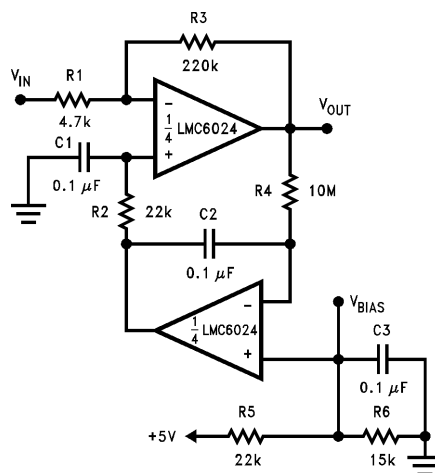
Figure 41. 10 Hz High-Pass Filter (2 dB Dip)



$f_c = 1 \text{ Hz}$
 $d = 1.414$
 Gain = 1.57

Figure 42. 1 Hz Low-Pass Filter (Maximally Flat, Dual Supply Only)

($V^+ = 5.0 V_{DC}$)



Gain = -46.8

Output offset voltage reduced to the level of the input offset voltage of the bottom amplifier (typically 1 mV), referred to V_{BIAS} .

Figure 43. High Gain Amplifier with Offset Voltage Reduction

REVISION HISTORY

| Changes from Revision C (March 2013) to Revision D | Page |
|--|--------------------|
| • Changed layout of National Data Sheet to TI format | 15 |

PACKAGING INFORMATION

| Orderable Device | Status (1) | Package Type | Package Drawing | Pins | Package Qty | Eco Plan (2) | Lead/Ball Finish (6) | MSL Peak Temp (3) | Op Temp (°C) | Device Marking (4/5) | Samples |
|------------------|---------------|--------------|-----------------|------|-------------|-------------------------|-------------------------|----------------------|--------------|-------------------------|-------------------------|
| LMC6024IM/NOPB | ACTIVE | SOIC | D | 14 | 55 | Green (RoHS & no Sb/Br) | CU SN | Level-1-260C-UNLIM | -40 to 85 | LMC6024IM | Samples |
| LMC6024IMX/NOPB | ACTIVE | SOIC | D | 14 | 2500 | Green (RoHS & no Sb/Br) | CU SN | Level-1-260C-UNLIM | -40 to 85 | LMC6024IM | Samples |

(1) The marketing status values are defined as follows:

ACTIVE: Product device recommended for new designs.

LIFEBUY: TI has announced that the device will be discontinued, and a lifetime-buy period is in effect.

NRND: Not recommended for new designs. Device is in production to support existing customers, but TI does not recommend using this part in a new design.

PREVIEW: Device has been announced but is not in production. Samples may or may not be available.

OBsolete: TI has discontinued the production of the device.

(2) Eco Plan - The planned eco-friendly classification: Pb-Free (RoHS), Pb-Free (RoHS Exempt), or Green (RoHS & no Sb/Br) - please check <http://www.ti.com/productcontent> for the latest availability information and additional product content details.

TBD: The Pb-Free/Green conversion plan has not been defined.

Pb-Free (RoHS): TI's terms "Lead-Free" or "Pb-Free" mean semiconductor products that are compatible with the current RoHS requirements for all 6 substances, including the requirement that lead not exceed 0.1% by weight in homogeneous materials. Where designed to be soldered at high temperatures, TI Pb-Free products are suitable for use in specified lead-free processes.

Pb-Free (RoHS Exempt): This component has a RoHS exemption for either 1) lead-based flip-chip solder bumps used between the die and package, or 2) lead-based die adhesive used between the die and leadframe. The component is otherwise considered Pb-Free (RoHS compatible) as defined above.

Green (RoHS & no Sb/Br): TI defines "Green" to mean Pb-Free (RoHS compatible), and free of Bromine (Br) and Antimony (Sb) based flame retardants (Br or Sb do not exceed 0.1% by weight in homogeneous material)

(3) MSL, Peak Temp. - The Moisture Sensitivity Level rating according to the JEDEC industry standard classifications, and peak solder temperature.

(4) There may be additional marking, which relates to the logo, the lot trace code information, or the environmental category on the device.

(5) Multiple Device Markings will be inside parentheses. Only one Device Marking contained in parentheses and separated by a "~" will appear on a device. If a line is indented then it is a continuation of the previous line and the two combined represent the entire Device Marking for that device.

(6) Lead/Ball Finish - Orderable Devices may have multiple material finish options. Finish options are separated by a vertical ruled line. Lead/Ball Finish values may wrap to two lines if the finish value exceeds the maximum column width.

Important Information and Disclaimer: The information provided on this page represents TI's knowledge and belief as of the date that it is provided. TI bases its knowledge and belief on information provided by third parties, and makes no representation or warranty as to the accuracy of such information. Efforts are underway to better integrate information from third parties. TI has taken and continues to take reasonable steps to provide representative and accurate information but may not have conducted destructive testing or chemical analysis on incoming materials and chemicals. TI and TI suppliers consider certain information to be proprietary, and thus CAS numbers and other limited information may not be available for release.

In no event shall TI's liability arising out of such information exceed the total purchase price of the TI part(s) at issue in this document sold by TI to Customer on an annual basis.

TAPE AND REEL INFORMATION



QUADRANT ASSIGNMENTS FOR PIN 1 ORIENTATION IN TAPE



*All dimensions are nominal

| Device | Package Type | Package Drawing | Pins | SPQ | Reel Diameter (mm) | Reel Width W1 (mm) | A0 (mm) | B0 (mm) | K0 (mm) | P1 (mm) | W (mm) | Pin1 Quadrant |
|-----------------|--------------|-----------------|------|------|--------------------|--------------------|---------|---------|---------|---------|--------|---------------|
| LMC6024IMX/NOPB | SOIC | D | 14 | 2500 | 330.0 | 16.4 | 6.5 | 9.35 | 2.3 | 8.0 | 16.0 | Q1 |

TAPE AND REEL BOX DIMENSIONS



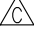

*All dimensions are nominal

| Device | Package Type | Package Drawing | Pins | SPQ | Length (mm) | Width (mm) | Height (mm) |
|-----------------|--------------|-----------------|------|------|-------------|------------|-------------|
| LMC6024IMX/NOPB | SOIC | D | 14 | 2500 | 367.0 | 367.0 | 35.0 |

D (R-PDSO-G14)

PLASTIC SMALL OUTLINE



- NOTES:
- A. All linear dimensions are in inches (millimeters).
 - B. This drawing is subject to change without notice.
 -  Body length does not include mold flash, protrusions, or gate burrs. Mold flash, protrusions, or gate burrs shall not exceed 0.006 (0,15) each side.
 -  Body width does not include interlead flash. Interlead flash shall not exceed 0.017 (0,43) each side.
 - E. Reference JEDEC MS-012 variation AB.

D (R-PDSO-G14)

PLASTIC SMALL OUTLINE



4211283-3/E 08/12

- NOTES:
- All linear dimensions are in millimeters.
 - This drawing is subject to change without notice.
 - Publication IPC-7351 is recommended for alternate designs.
 - Laser cutting apertures with trapezoidal walls and also rounding corners will offer better paste release. Customers should contact their board assembly site for stencil design recommendations. Refer to IPC-7525 for other stencil recommendations.
 - Customers should contact their board fabrication site for solder mask tolerances between and around signal pads.

IMPORTANT NOTICE AND DISCLAIMER

TI PROVIDES TECHNICAL AND RELIABILITY DATA (INCLUDING DATASHEETS), DESIGN RESOURCES (INCLUDING REFERENCE DESIGNS), APPLICATION OR OTHER DESIGN ADVICE, WEB TOOLS, SAFETY INFORMATION, AND OTHER RESOURCES "AS IS" AND WITH ALL FAULTS, AND DISCLAIMS ALL WARRANTIES, EXPRESS AND IMPLIED, INCLUDING WITHOUT LIMITATION ANY IMPLIED WARRANTIES OF MERCHANTABILITY, FITNESS FOR A PARTICULAR PURPOSE OR NON-INFRINGEMENT OF THIRD PARTY INTELLECTUAL PROPERTY RIGHTS.

These resources are intended for skilled developers designing with TI products. You are solely responsible for (1) selecting the appropriate TI products for your application, (2) designing, validating and testing your application, and (3) ensuring your application meets applicable standards, and any other safety, security, or other requirements. These resources are subject to change without notice. TI grants you permission to use these resources only for development of an application that uses the TI products described in the resource. Other reproduction and display of these resources is prohibited. No license is granted to any other TI intellectual property right or to any third party intellectual property right. TI disclaims responsibility for, and you will fully indemnify TI and its representatives against, any claims, damages, costs, losses, and liabilities arising out of your use of these resources.

TI's products are provided subject to TI's Terms of Sale (www.ti.com/legal/termsofsale.html) or other applicable terms available either on ti.com or provided in conjunction with such TI products. TI's provision of these resources does not expand or otherwise alter TI's applicable warranties or warranty disclaimers for TI products.

Mailing Address: Texas Instruments, Post Office Box 655303, Dallas, Texas 75265
Copyright © 2019, Texas Instruments Incorporated