



- TACT SWITCH
- PUSH BUTTON SWITCH
- LED TOUCH SENSOR SWITCH
- 5 DIRECTION NAVIGATION SWITCH WITH LED
- MEMBRANE SWITCH
- LED LIGHT BAR
- SLIDE SWITCH
- ROTARY SWITCH
- ROCKER SWITCH
- DETECT SWITCH
- ENCODER
- INTERRUPTER
- MINIATURE MICRO SWITCH
- TELEPHONE HOOK SWITCH
- DOOR SWITCH
- MINI SIZE SOCKET
- KNOB
- CAP SYMBOL

**Feature :**

- Water proof IP67 sealed
- Capacitive touch key, panel mount
- Wire assembly service
- Full color LED illuminated available
- Recommend operating voltage 1.8~5.5VDC

**Application :**

- Water purifiers
- Kitchen appliances
- Vending machines and switches
- Used in the polluted environment

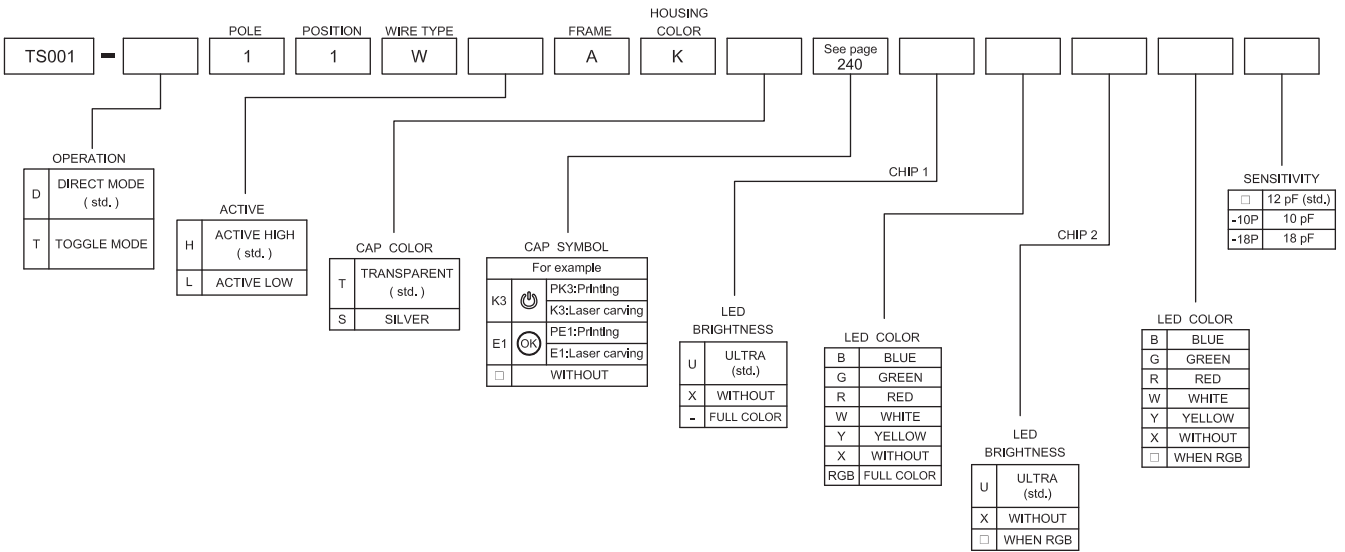


SWITCH SPECIFICATIONS						
POLE - POSITION	One-Channel					
CIRCUIT FEATURE	Capacitive digital signal					
OPERATING TEMPERATURE RANGE	-20°C ~ 70°C					
SEALING	IP67					
ELECTRICAL CHARACTERISTICS						
Symbol	Parameter	Conditions	MIN.	TYP.	MAX.	Units
V <sub>DD</sub>	Operating voltage		1.8	3	5.5	V
F	System oscillator	V <sub>DD</sub> = 3V	25		600	KHz
F <sub>SEN</sub>	Sensor oscillator	V <sub>DD</sub> =3V, Output no load		800		KHz
I <sub>OP</sub>	Operating current	V <sub>CC</sub> =3V, Output no load		1.5	2.7	uA
V <sub>IL</sub>	Input ports	Input low voltage	0		0.2	V <sub>DD</sub>
V <sub>HI</sub>	Input ports	Input high voltage	0.8		1.0	V <sub>DD</sub>
I <sub>OL</sub>	Output port sink current	V <sub>DD</sub> =3V, V <sub>OL</sub> =0.6V		8		mA
I <sub>OH</sub>	Output port source current	V <sub>DD</sub> =3V, V <sub>OH</sub> =2.4V		-4		mA
T <sub>R</sub>	Output response time	V <sub>DD</sub> =3V			150	mS

LED SPECIFICATIONS								
ATTENTION LEDs are Electrostatic Sensitive devices (+) (-)	Unit	Value / LED Color						
		Blue	Pure Green	Red	Yellow	Orange	Green	White
LUMINOUS INTENSITY@20mA I <sub>v</sub>	mcd	60	450	220	150	253	50	160
Dominant Wavelength λ <sub>D</sub>	nm	465	525	630	590	601	570	/
FORWARD VOLTAGE@20mA V <sub>f</sub>	V	3.3	3.3	1.95	2	2.1	2.1	3.3

■ A single bin cannot be ordered, please contact us in advance if you need a particular bin sorting before placing your order to clarify the lead time, MOQ and pricing

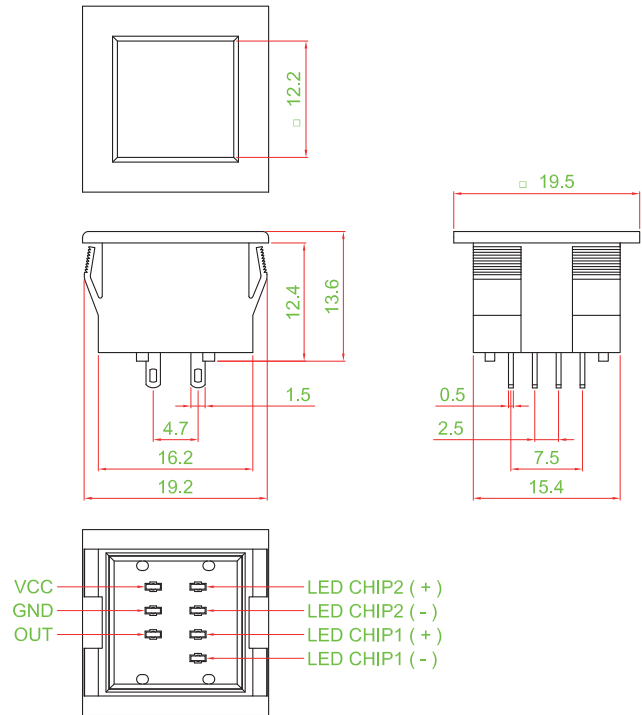
**▶ HOW TO ORDER**





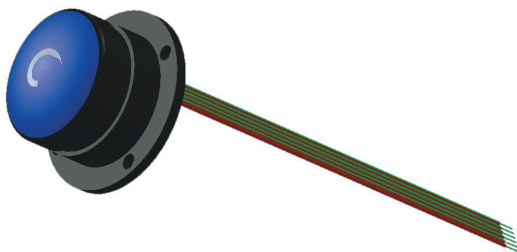
## ► DIMENSION

TS001 - D11WHAKT□□□□



## ► PANEL CUT OUT

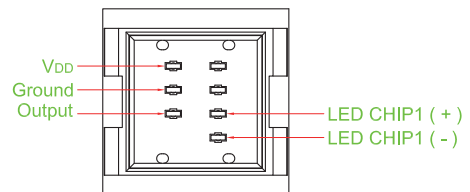
	PANEL THICK	W
	0.75 ~ 1.25	17.6 ~ 17.8
1.25 ~ 2.0	17.8 ~ 18.0	
2.0 ~ 3.0	18.0 ~ 18.2	



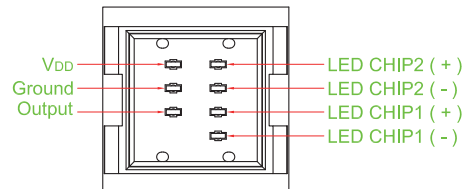
CUSTOM-MADE STYLE AVAILABLE

## ► CIRCUIT

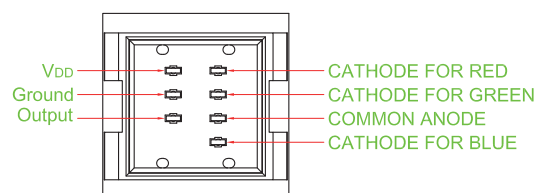
SINGLE COLOR



TWO COLOR



FULL COLOR



TACT SWITCH

PUSH BUTTON SWITCH

LED TOUCH SENSOR SWITCH

5 DIRECTION NAVIGATION SWITCH WITH LED

MEMBRANE SWITCH

LED LIGHT BAR

SLIDE SWITCH

ROTARY SWITCH

ROCKER SWITCH

DETECT SWITCH

ENCODER

INTERRUPTER

MINIATURE MICRO SWITCH

TELEPHONE HOOK SWITCH

DOOR SWITCH

MINI SIZE SOCKET

KNOB

CAP SYMBOL

# Mouser Electronics

Authorized Distributor

Click to View Pricing, Inventory, Delivery & Lifecycle Information:

[Well Buying:](#)

[TS001-D11WHAKTUGXX](#) [TS001-D11WHAKTUWXX](#) [TS001-D11WHAKTUYXX](#) [TS001-T11WHAKT-RGB](#)