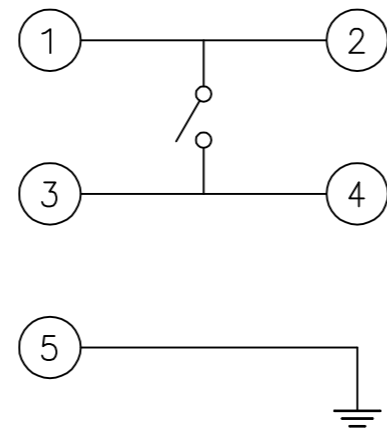
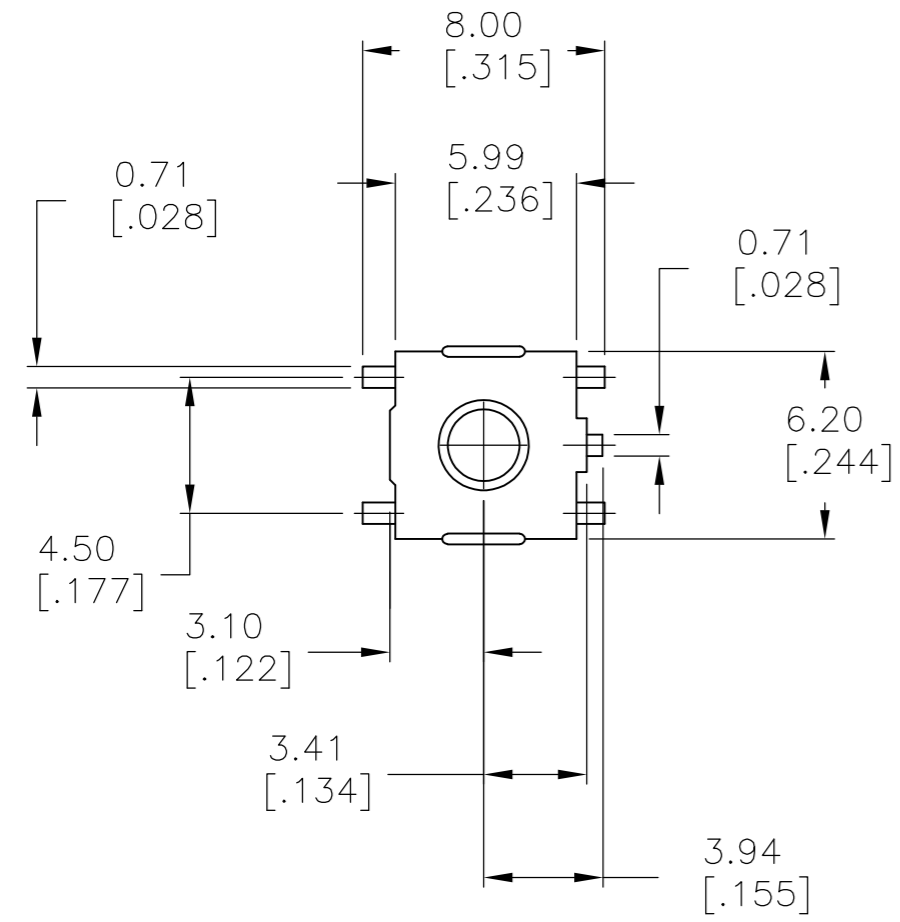
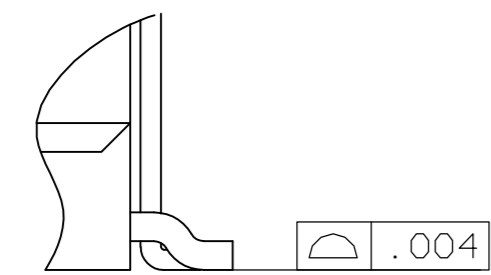
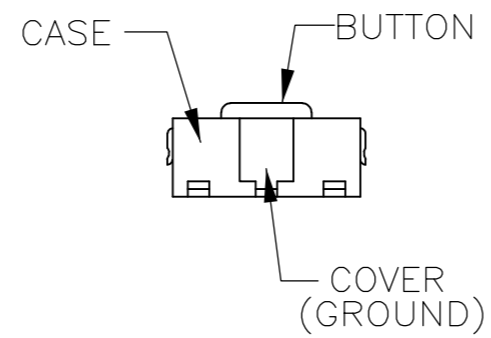
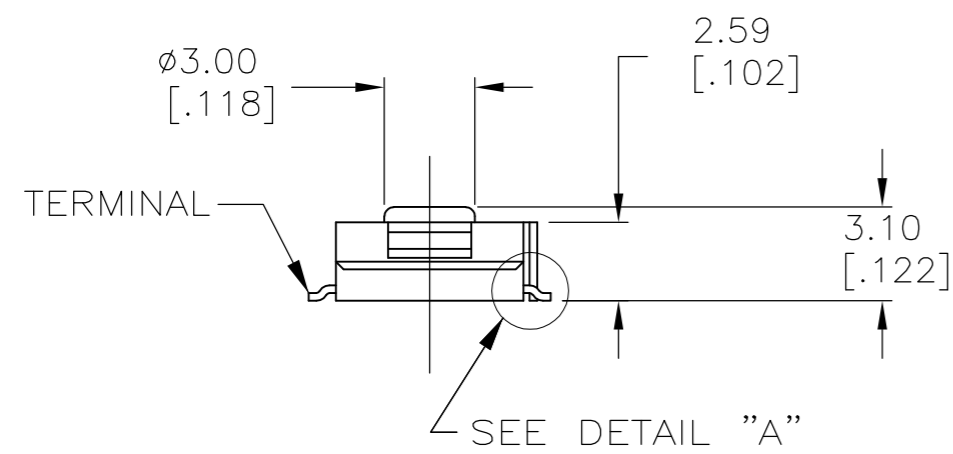


THIS DRAWING IS UNPUBLISHED. RELEASED FOR PUBLICATION
 © COPYRIGHT - By - ALL RIGHTS RESERVED.

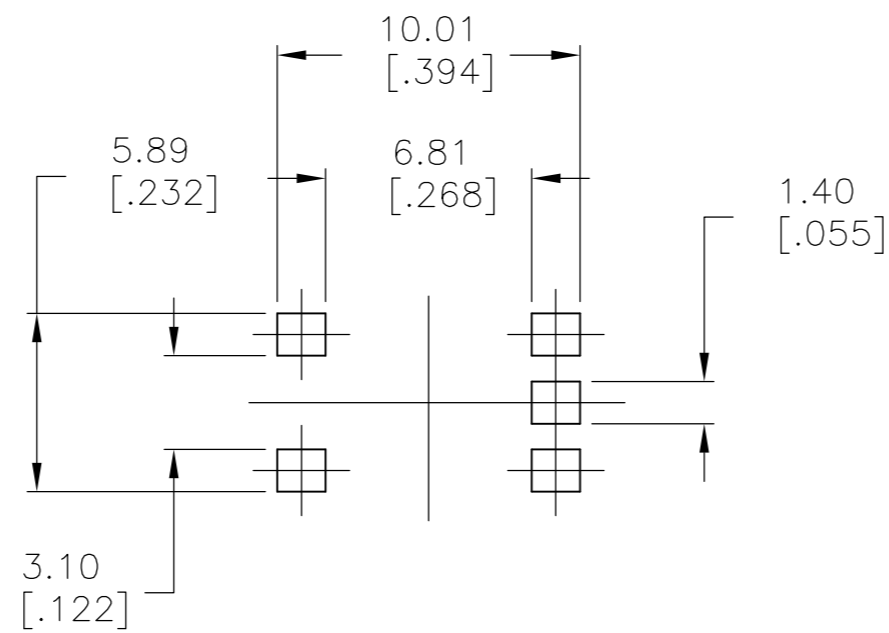
LOC		DIST		REVISIONS			
P	LTR	DESCRIPTION		DATE	DWN	APVD	
AD	00	D3	REVISED PER ECO-14-014370	23SEP2014	NK	RH	



CIRCUIT DIAGRAM



DETAIL "A"
SCALE 15:1



P.C.B. FOOTPRINT

SPECIFICATIONS:

CASE: PPS, 94V0, BLACK.
 COVER: COPPER ALLOY-TIN PLATE.
 ACTUATOR BUTTON: SEE TABLE, COLOR: SEE TABLE.
 MOVING CONTACT: COPPER ALLOY, SILVER FINISH.
 FIXED CONTACT/TERMINAL: COPPER ALLOY, SILVER FINISH.

ELECTRICAL:
 MAX CONTACT RATING: 50MILLIAMPS@24V DC
 MIN CONTACT RATING: 10MICROAMPS@1V DC
 CONTACT RESISTANCE: 100 MILLIOHMS MAX.
 INSULATION RESISTANCE: 100 MEGOHMS MIN. @ 100 VDC.
 DIELECTRIC STRENGTH: 500 VAC 50/60 HZ FOR 1 MINUTE
 LIFE EXPECTANCY: 100,000 CYCLES.

MECHANICAL:
 ACTUATION FORCE: SEE CHART.
 ACTUATION TRAVEL: 0.25 +0.20/-0.10 [.010 +.008/-0.004]

ENVIRONMENTAL:
 OPERATING TEMPERATURE: -35°C TO +85°C
 STORAGE TEMPERATURE: -35°C TO +85°C
 SOLDER HEAT RESISTANCE PER 109-201, COND B.

SOLDERABILITY:
 SPECIFICATION EIA-364-52, CLASS 1, CATEGORY 2

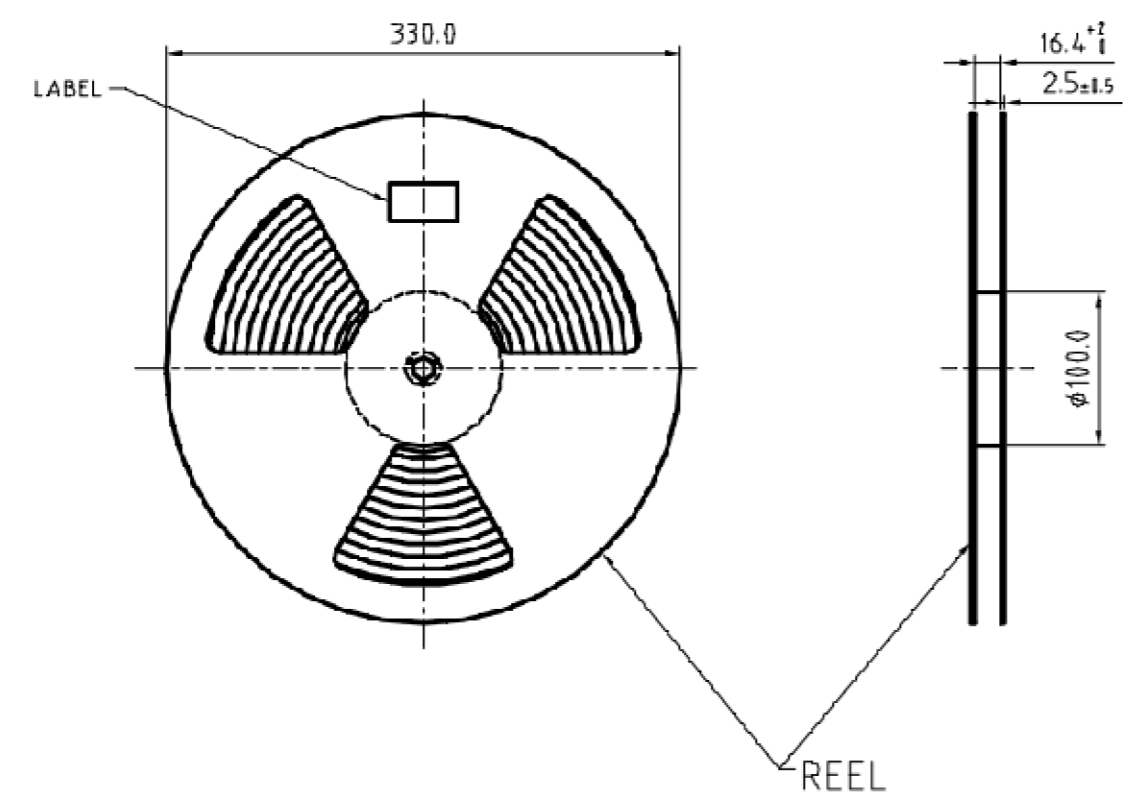
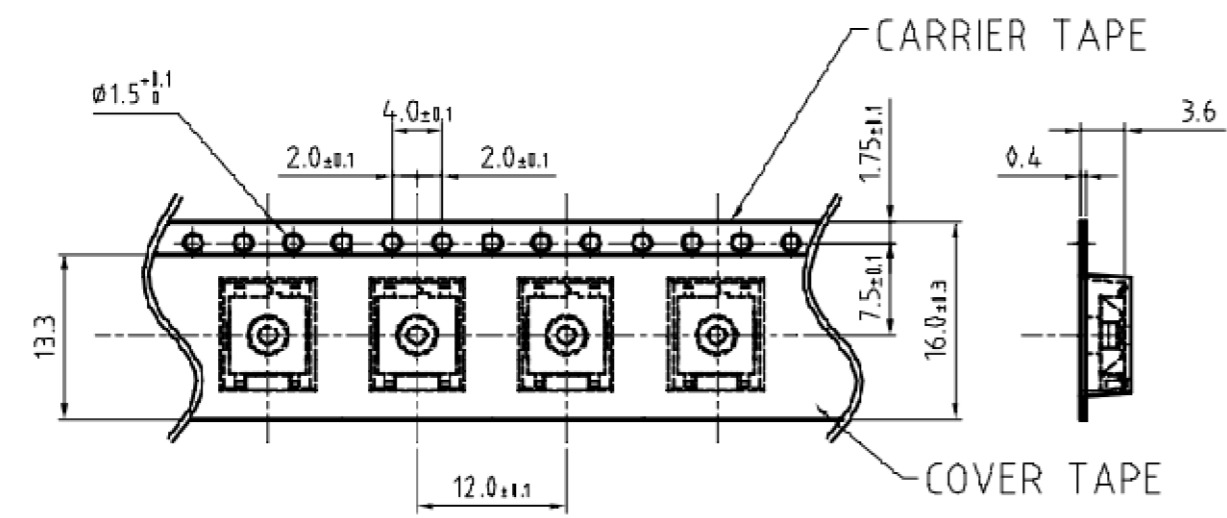
- ALL MATERIALS AND FINISHES SHALL COMPLY WITH EU DIRECTIVE 2002/95/EC OF 27JAN2003 (ROHS)
- TAPE AND REEL PACKAGING PER EIA-481

PART NUMBER	PART NUMBER	ACTUATOR MATERIAL	ACTUATOR BUTTON COLOR	ACTUATION FORCE	PACKAGING
1-1437565-6	FSM1LP	PPA UL94HB	BLACK	160 ±50 gm.	BULK
1-1437565-9	FSM1LPTR	PPA UL94HB	BLACK	160 ±50 gm.	TAPE & REEL
1-1437565-7	FSM1LPA	PPS UL94V-0	BROWN	260 ±50 gm.	BULK
1-1437565-8	FSM1LPATR	PPS UL94V-0	BROWN	260 ±50 gm.	TAPE & REEL

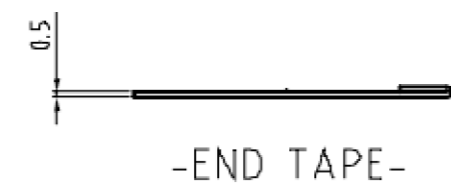
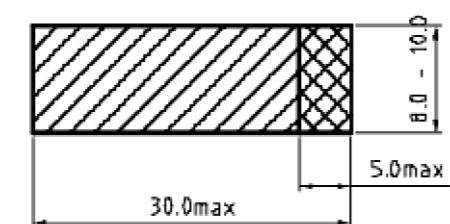
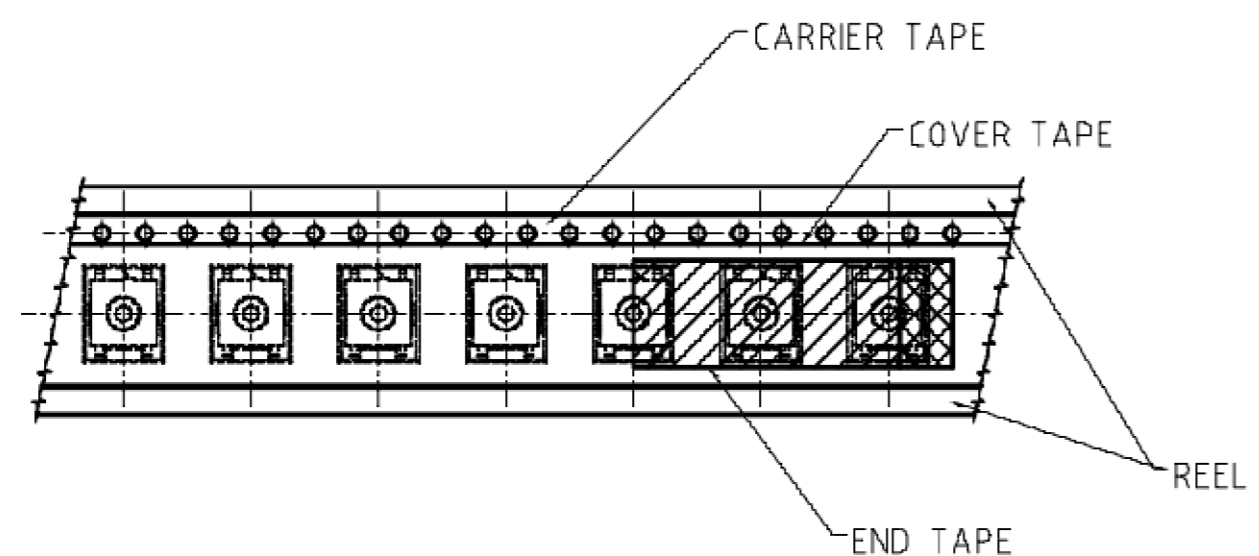
THIS DRAWING IS A CONTROLLED DOCUMENT.		DWN	13MAR2007		
DIMENSIONS: mm [INCHES]		CHK	20MAR2007		
TOLERANCES UNLESS OTHERWISE SPECIFIED:		M.SARVER		TE Connectivity	
0 PLC ± -		APVD		NAME	
1 PLC ± -		M.SARVER		TACTILE SWITCH	
2 PLC ± 0.30[.012]		PRODUCT SPEC		FSM1LP	
3 PLC ± -		APPLICATION SPEC		SIZE	CAGE CODE
4 PLC ± -		FINISH		DRAWING NO	RESTRICTED TO
ANGLES ± -		WEIGHT		A2	00779
MATERIAL		CUSTOMER DRAWING		C=1-1437565-8	
SCALE		SHEET		REV	
4:1		1 of 2		D3	

THIS DRAWING IS UNPUBLISHED. RELEASED FOR PUBLICATION
 © COPYRIGHT - By - ALL RIGHTS RESERVED.

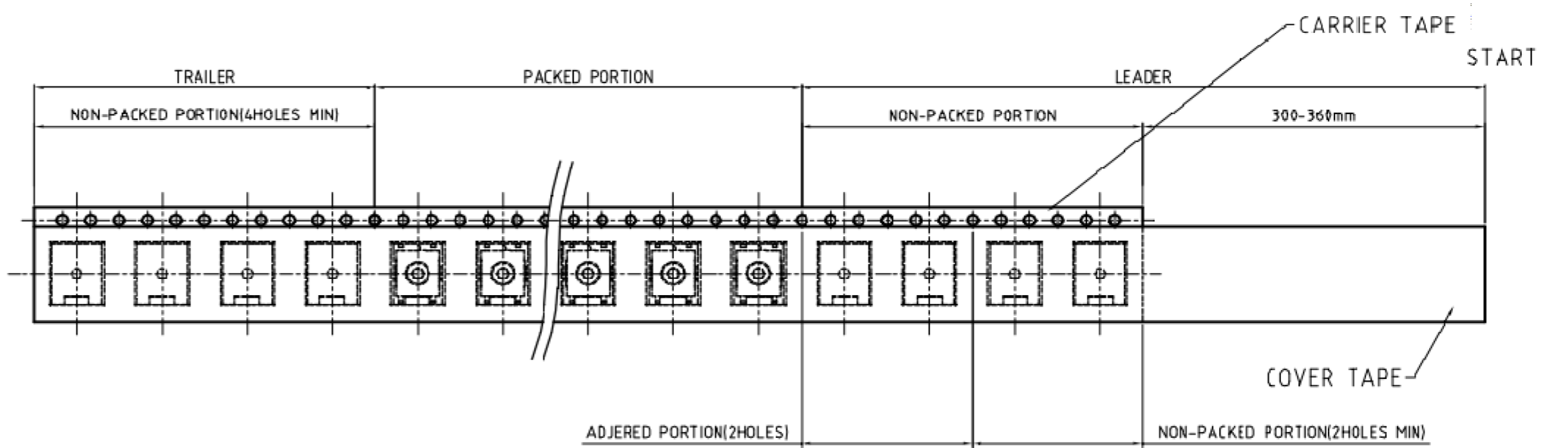
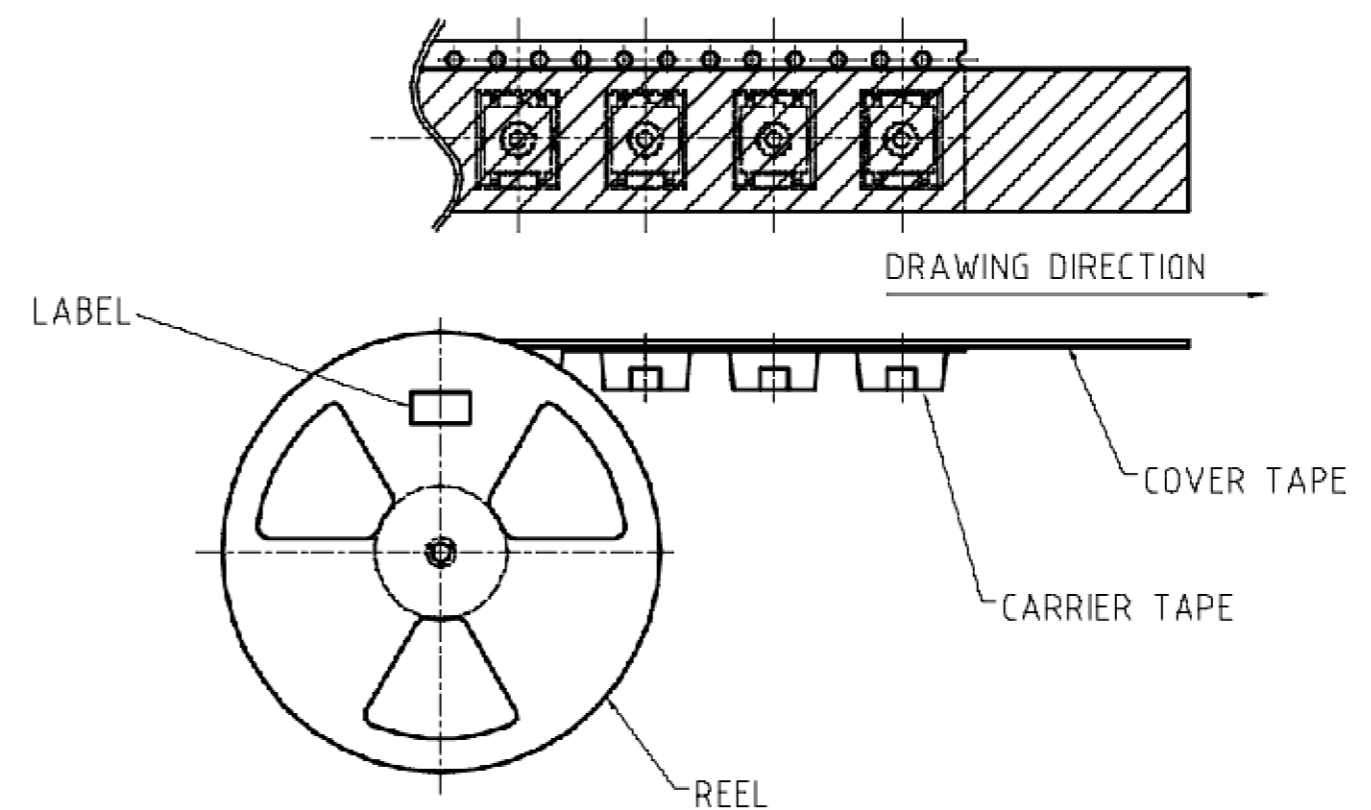
LOC		DIST		REVISIONS			
P	LTR	DESCRIPTION	DATE	DWN	APVD		
AD	00	SEE SHEET 1	-	-	-		



-THE DIMENSION OF CARRIER TAPE, COVER TAPE AND REEL-



-END TAPE-



THIS DRAWING IS A CONTROLLED DOCUMENT.		DWN	13MAR2007	STE TE Connectivity	
DIMENSIONS: mm [INCHES]		CHK	20MAR2007		
TOLERANCES UNLESS OTHERWISE SPECIFIED:		APVD	20MAR2007	NAME	
0 PLC	± -	M.SARVER		TACTILE SWITCH	
1 PLC	± -	M.SARVER		FSM1LP	
2 PLC	± 0.30[.012]	PRODUCT SPEC		SIZE	CAGE CODE
3 PLC	± -	APPLICATION SPEC		A2	00779
4 PLC	± -	MATERIAL		DRAWING NO	
ANGLES	± -	FINISH		C=1-1437565-8	
MATERIAL		WEIGHT		RESTRICTED TO	
-		-		-	
CUSTOMER DRAWING				SCALE	SHEET
-				4:1	2 of 2
				REV	D3