

# rotronic

Datenblatt - Fiche technique - Data sheet

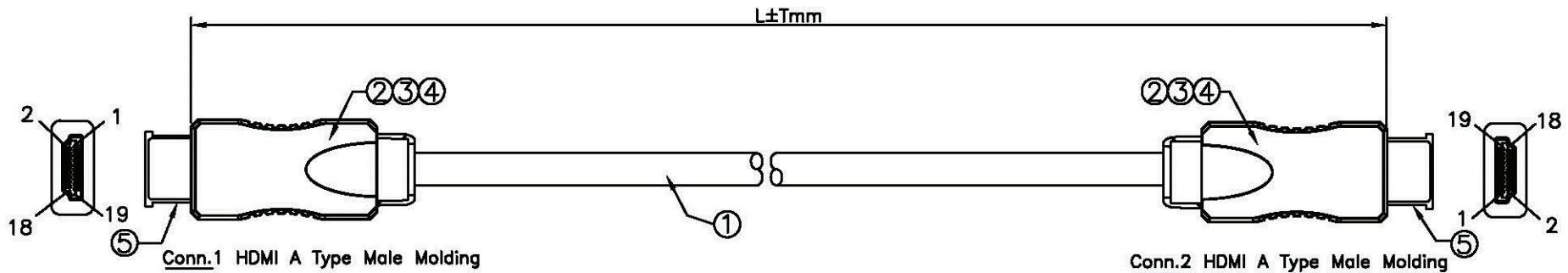
11.04.5683



**ROLINE HDMI Ultra HD Kabel mit Ethernet, ST/ST, 5,0m**

**ROLINE Câble HDMI Ultra HD avec Ethernet, M/M, 5,0m**

**ROLINE HDMI Ultra HD Cable with Ethernet, M/M, 5 m**



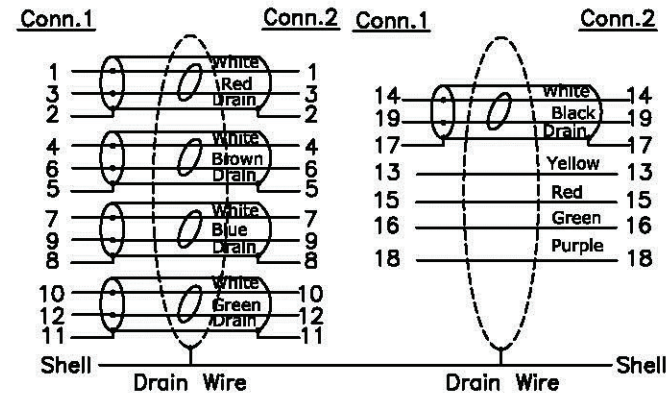
**Electrical Test:**

1. 100%Test(Open, short ,miss wire)
2. Contact Resistance: 10 ohm max.
3. Insulation Resistance: 5M ohm min.
4. Hi-pot:300V DC/10ms

**Table:**

Item#	Length	Resistance
11.04.5680	1000±30mm	2 ohm
11.04.5681	2000±30mm	2 ohm
11.04.5682	3000±50mm	2 ohm
11.04.5683	5000±50mm	2 ohm

**Pin Assignment**



NO.	DESCRIPTION	Q'TY	UNIT
⑤	HDMI Transparent Dust Cover	2	pcs
④	Shell: Gun metallic	2	set
③	Inside Molding: PE	8	g
②	HDMI 19P Male, Shell Gold Plated 3u", Insulation: Black	2	pcs
①	UL20276 [26AWG(1/0.41BC)*1PR+EAM]*5P+26AWG(1/0.41BC)*4C+AEB(85%TCCS) +Jacket Color: Transparent Black PVC OD:9.5±0.2mm	L	M

REV.	DATE	CONTENTS OF CHANGE	DESIGNER	TOL ±								APPROVAL	CHECK	DRAWING	DESIGN	DATE	ITEM NO.	
				RANGE	Pld	Met	Ina	Por	Cab	Pac	Gas							DIS
△				0~8	0.1	0.1	0.1	0.2	0.5	1	0.5	0.2					2013-10-23	11.04.5680 / 11.04.5681 / 11.04.5682 / 11.04.5683
△				8~30	0.1	0.1	.15	.25	1	1	0.5	.25					ROLINE Ultra HD HDMI Cable, with Ethernet A M / A M, black color	
△				30~80	0.1	.15	0.2	0.3	2	1.5	1	0.3						
△				80~180	.15	.15	.25	0.3	2	2	1	.45						
△				180~315	.15	0.2	0.3	0.4	2.5	2	1	0.6						
△				315~800	0.2	0.3	0.4	0.5	3	3	2	1.1						

**rotronic**



SCALE 1:1 UNIT MM