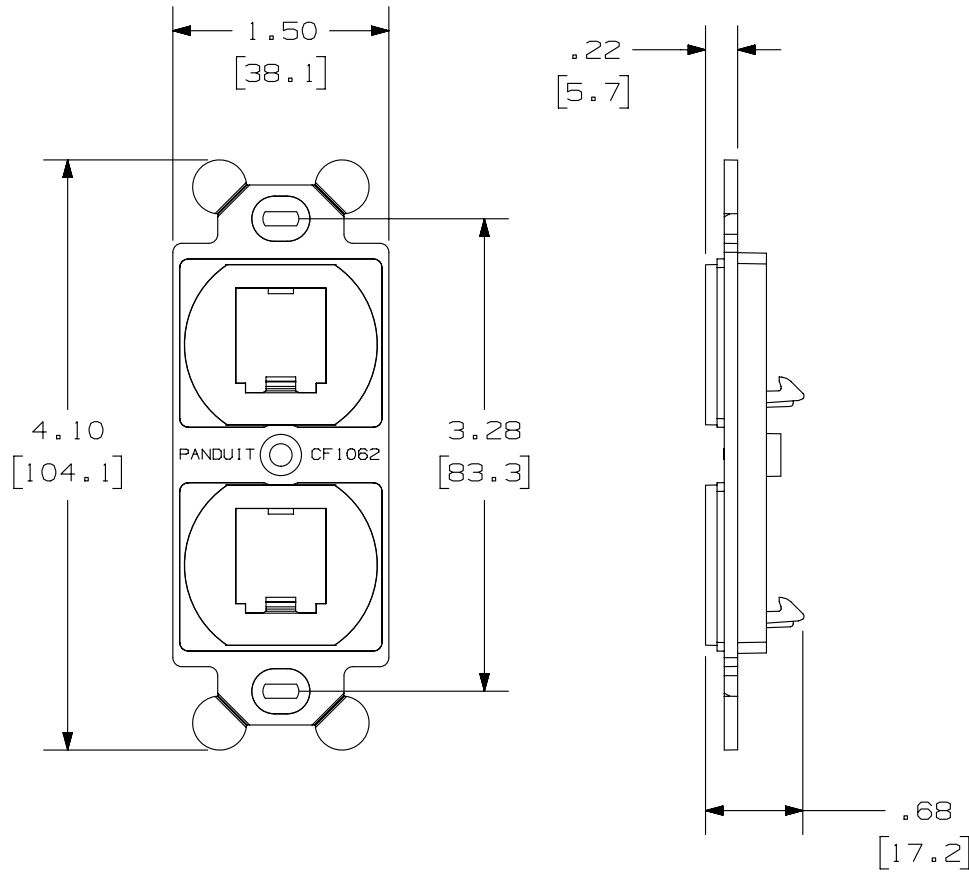


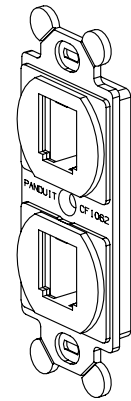
THIS COPY IS PROVIDED ON A RESTRICTED BASIS AND IS NOT TO BE USED IN ANY WAY DETRIMENTAL TO THE INTERESTS OF PANDUIT CORP.



PANDUIT P/N	WEIGHT
CF1062**Y	.25 LB/10 PCS (115.7 g/10 PCS)

NOTES:

- SEE CURRENT CATALOG FOR ADDITIONAL PART NUMBER SUFFIXES TO INDICATE COLOR AND OR PACKAGE QUANTITY.
- SEE CATALOG FOR COMPLETE LIST OF PARTS APPLICABLE FOR USE WITH THIS PART.
- DIMENSIONS IN [] ARE IN METRIC.
- PART INCLUDES:
 - 1- 106 FRAME
 - 2- MOUNTING SCREW



PART NUMBER		CF1062**Y	
TITLE			
MINI-COM 2 POSITION "106" SERIES FRAME			
CUSTOMER DRAWING			
ITEM REVISION NAME		M02479GR/02	
DATASET FILE NAME		M02479GR_DC176/00B	
UNLESS OTHERWISE SPECIFIED, DIMENSIONAL TOLERANCES ARE: IN [mm]		MATERIAL:	
.x ± .1 [2.54] .xxx ± .005 [.127]		ABS	
.xx ± .01 [.25] ANGLES ± 5 °		DRAWING NUMBER:	
THIRD ANGLE PROJECTION		02479-176	
DRAWN BY	DATE	CHK	SCALE
JSP	4-18-06	MJD	NONE
SHT 1 OF 1			SIZE
			A

REV	DATE	BY	CHK	APR	DESCRIPTION	ECN
1	3/11/4	JSP	REFR	MMR	A. REVISED DRAWING TITLE BLOCK.	02479-176
R	4-18-06	JSP	MJD	MJD	RELEASED TO PRODUCTION	02479-176

D10100DA/14

Mouser Electronics

Authorized Distributor

Click to View Pricing, Inventory, Delivery & Lifecycle Information:

[Panduit:](#)

[CF1062IWY](#) [CF1062EIY](#) [CF1062BLY](#) [CF1062WHY](#) [CF1064BL](#)