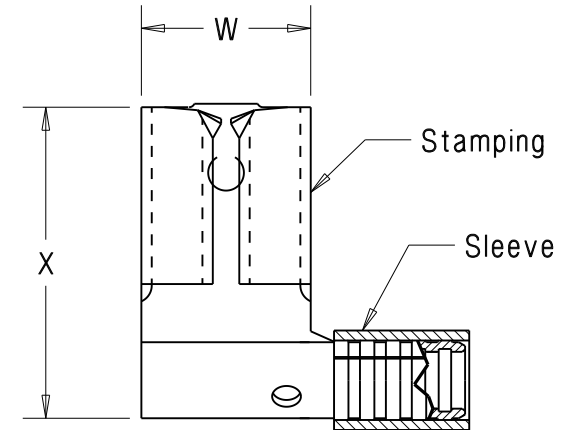
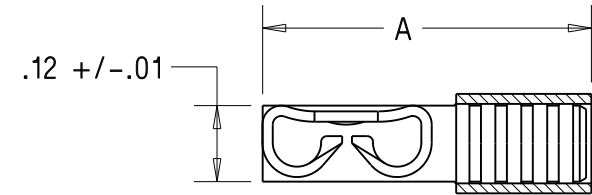


Part number	Tab size	Wire range AWG	Dimensions (inches)		
			X <sup>+/-02</sup>	W <sup>+/-01</sup>	A <sup>+/-03</sup>
DR18-250	.250 X .032 (6.3 X 0.8)	22-18	.54 (13.7)	.30 (7.6)	.57 (14.5)
* DR14-250	.250 X .032 (6.3 X 0.8)	16-14	.55 (14.0)	.30 (7.6)	.57 (14.5)
DR10-250	.250 X .032 (6.3 X 0.8)	12-10	.57 (14.5)	.30 (7.6)	.61 (15.5)



Notes:

- Used for:
  - 302° F (150° C) maximum temperature rating
  - Stranded copper wire only
  - 10A. max (DR14-250 only)
- Material:
  - Stamping: .018" (0.46) thick tin plated brass
  - Sleeve : Tin plated brass
- SEE [www.panduit.com](http://www.panduit.com)  
FOR PART NUMBER SUFFIX DESIGNATION  
FOR PACKAGE SIZE
- First insertion force: 12 Lb (53 N) maximum  
First withdrawal force: 12 Lb (53 N) maximum  
6 Lb (27 N) minimum
- Dimensions in brackets are in millimeters or mm<sup>2</sup>
- INSTALLATION TOOLS:
  - UL LISTED & CSA CERTIFIED: CT-100, CT-100A, CT-200, CT-570, CT-600-A, CT-1570, CT-1701 (DR10-250 ONLY), CT-2500
  - PANDUIT APPROVED: CT-160, CT-260
- Wire Strip Length:  $9/32^{+1/32}_0$  (7.1<sup>+8</sup><sub>-0</sub>)



LISTED  
20H3  
E78522



CERTIFIED  
LR31212



RECOGNIZED  
E78522

**PANDUIT** CORP.

TINLEY PARK, ILLINOIS

Non-insulated, sleeved right angle  
female disconnect, .250 series

REV	DATE	BY	DESCRIPTION
10	8-11	SHOR	ADDED INSTALLATION TOOLS
9	7-11	SB	Added Note #3

DRAWN BY DAW	CHK'D	SCALE None	DRAWING NO. A41331
-----------------	-------	---------------	-----------------------

# Mouser Electronics

Authorized Distributor

Click to View Pricing, Inventory, Delivery & Lifecycle Information:

[Panduit:](#)

[DR14-250-C](#) [DR14-250-M](#) [DR18-250-C](#)