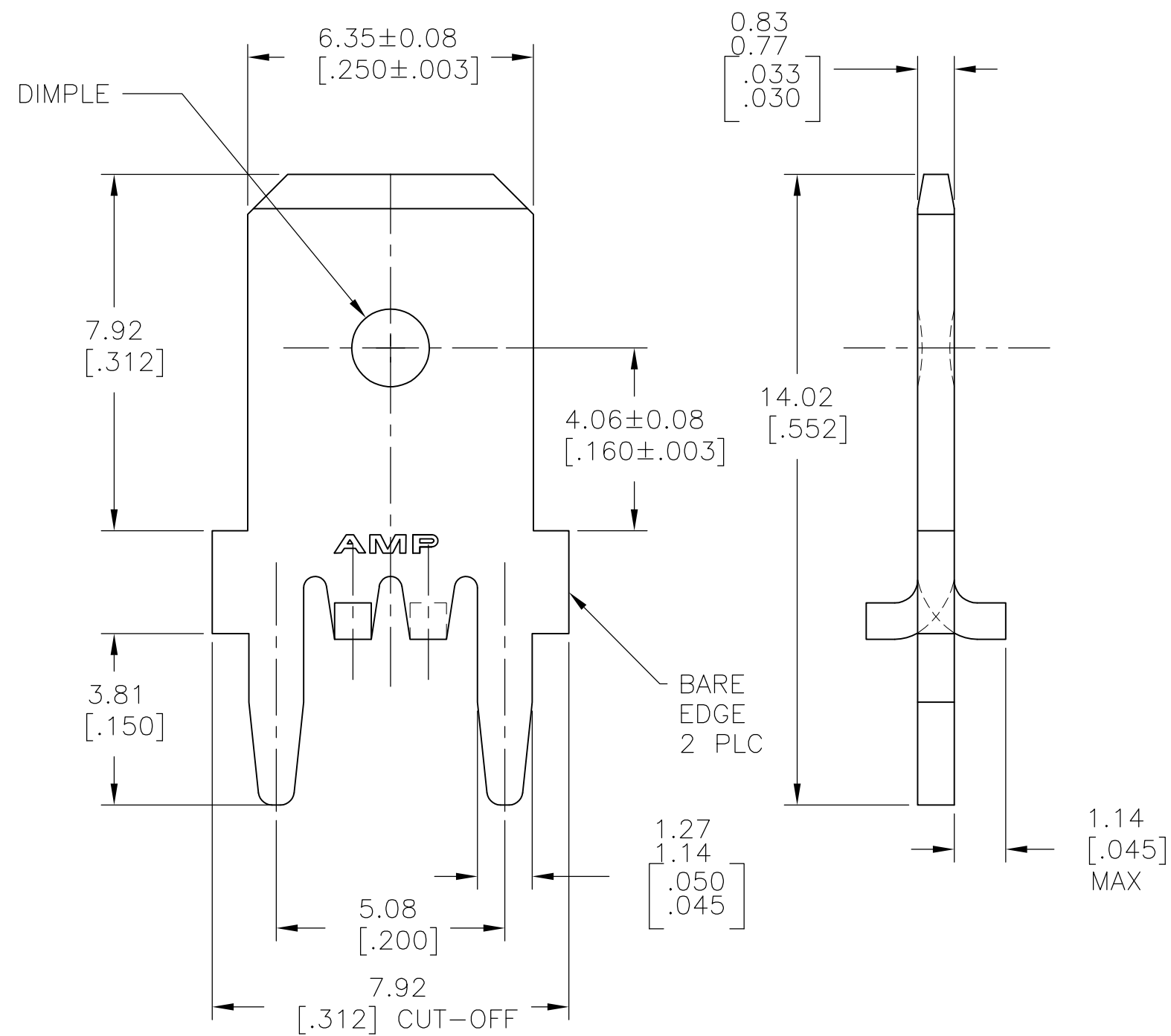
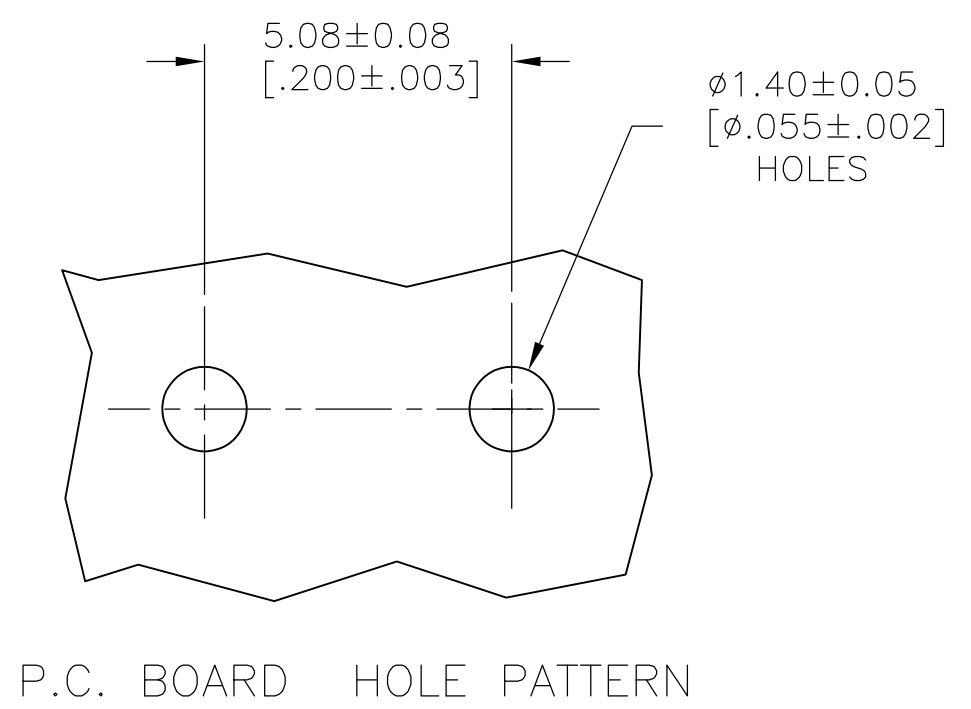


THIS DRAWING IS UNPUBLISHED. RELEASED FOR PUBLICATION  
 © COPYRIGHT - By - ALL RIGHTS RESERVED.

LOC	DIST	REVISIONS					
AF	50	P	LTR	DESCRIPTION	DATE	DWN	APVD
		C		REVISED PER ECR-13-001204	03JUL13	KH	PD



- 1 SUPPLIED IN LOOSE PIECE AFTER PLATING
- 2 TIN PLATE 0.00381 [.000150] MIN OVER 0.00254 [.000100] MIN THK COPPER.



1742188-1  
 PART NO.

THIS DRAWING IS A CONTROLLED DOCUMENT.		DWN	JR RUTH	04OCT04	<b>STE</b> TE Connectivity							
DIMENSIONS: mm [INCHES]		CHK	KRISTY YI	04OCT04								
TOLERANCES UNLESS OTHERWISE SPECIFIED:		APVD	KRISTY YI	04OCT04								
0 PLC ± - 1 PLC ± - 2 PLC ± 0.25 [.010] 3 PLC ± - 4 PLC ± - ANGLES ± -		PRODUCT SPEC	NAME			TAB, FASTON, P.C.BOARD 6.35 [.250] SERIES LOOSE PIECE						
MATERIAL	BRASS	FINISH	114-2115		SIZE	A3	CAGE CODE	00779	DRAWING NO	C-1742188	RESTRICTED TO	-
		CUSTOMER DRAWING		SCALE	8:1	SHEET	1 OF 1	REV	C			

# Mouser Electronics

Authorized Distributor

Click to View Pricing, Inventory, Delivery & Lifecycle Information:

[TE Connectivity:](#)

[1742188-1](#)