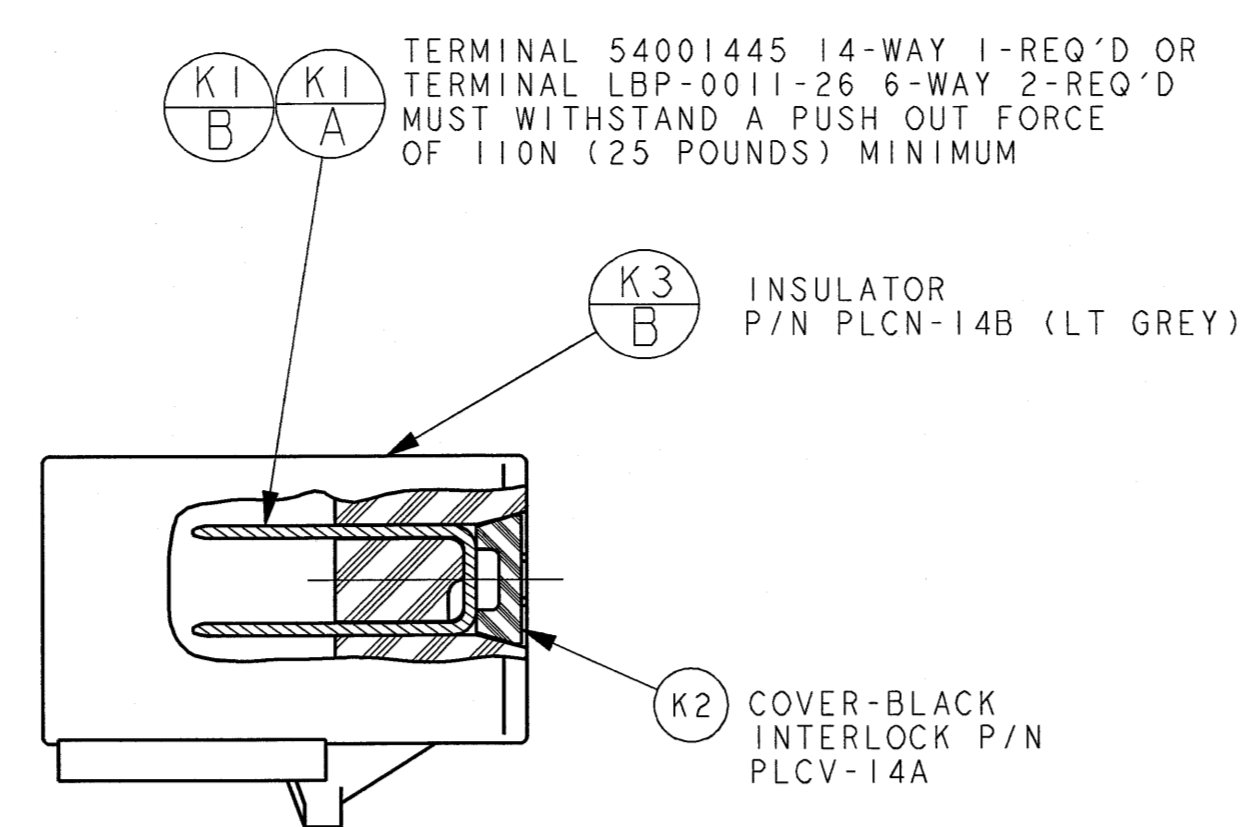
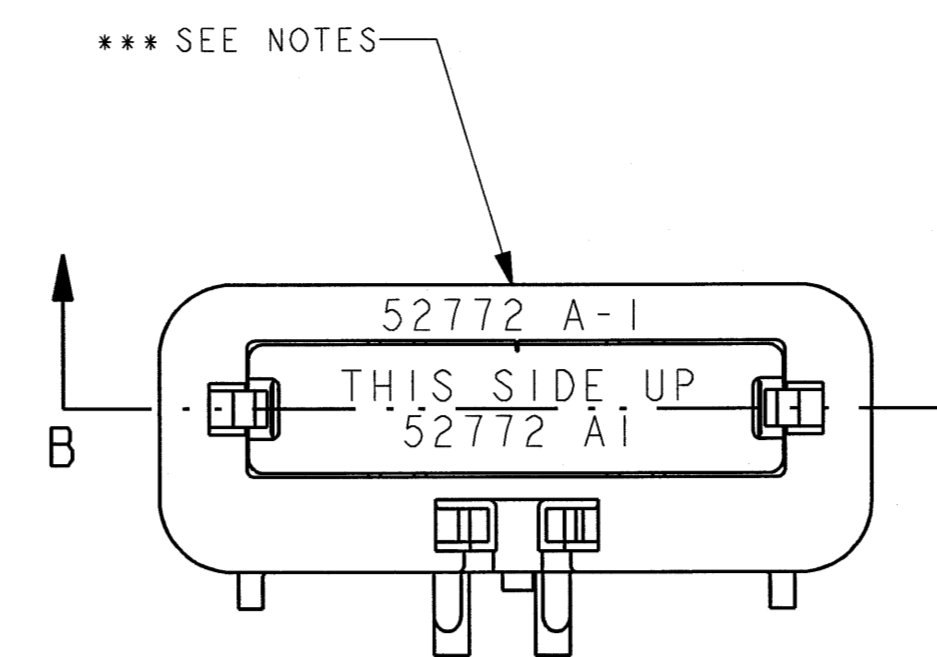


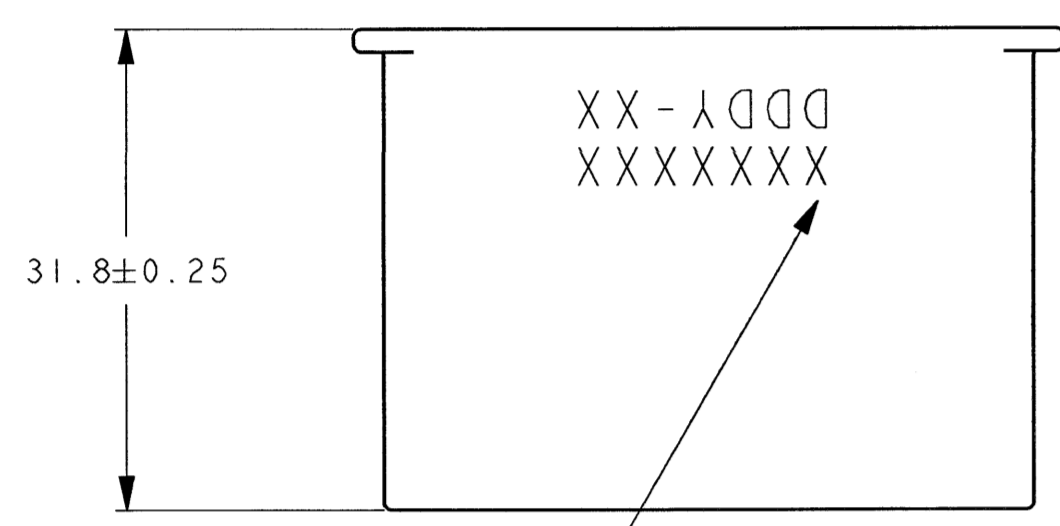
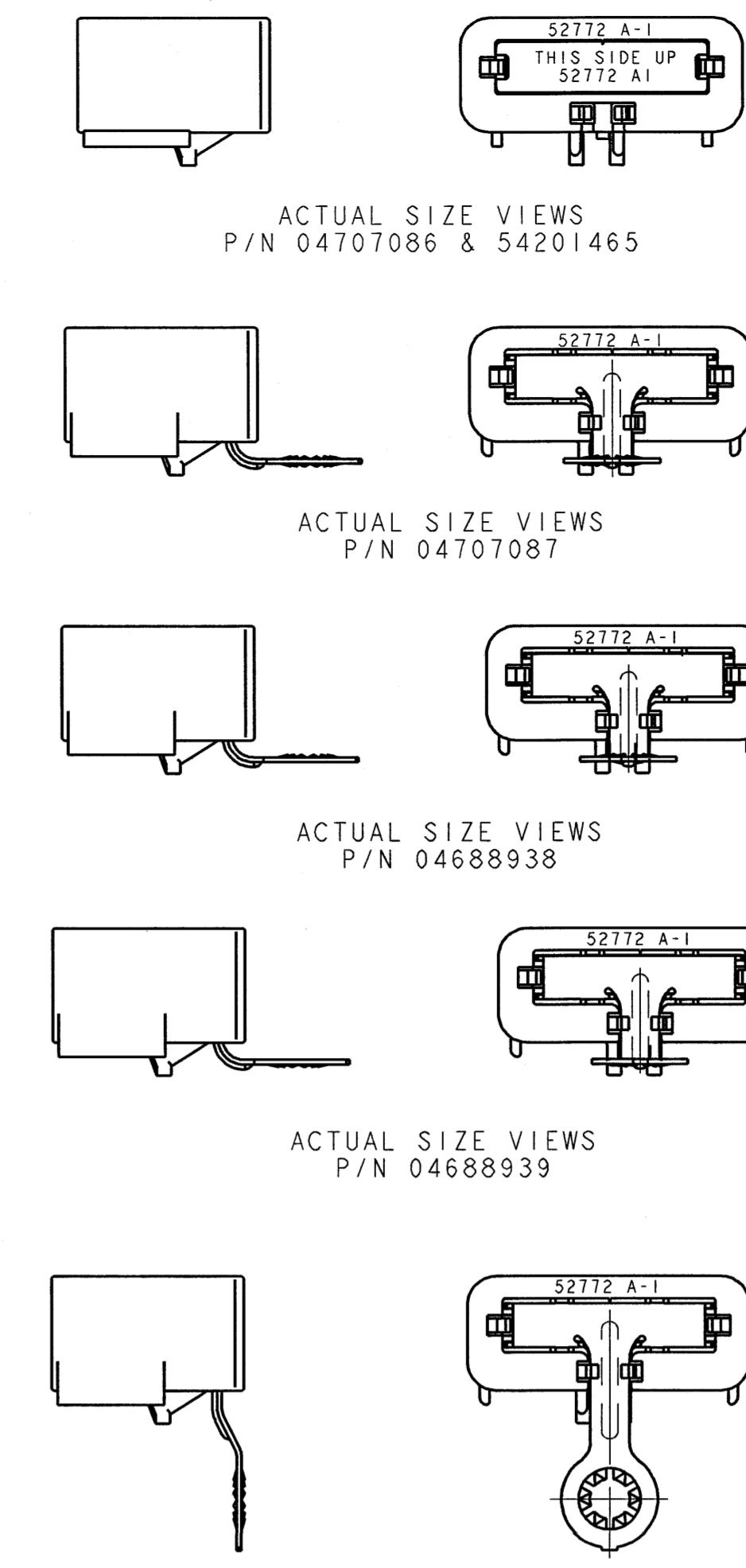
ASSY POWER BUSS
P/N 04707086 & 54201465 SHOWN
14-WAY MALE OPT "B" (LT. GREY)



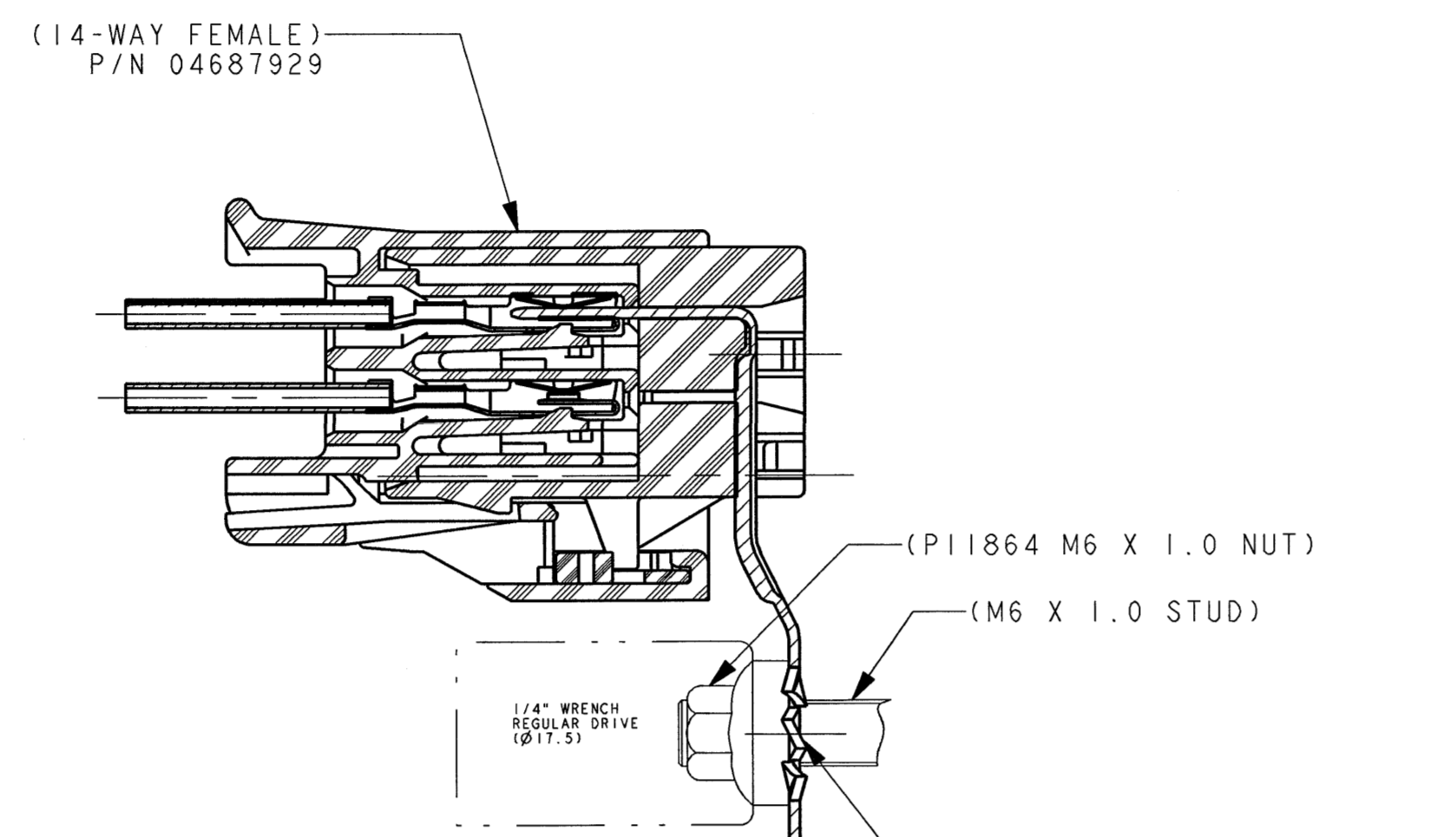
SECTION A-A



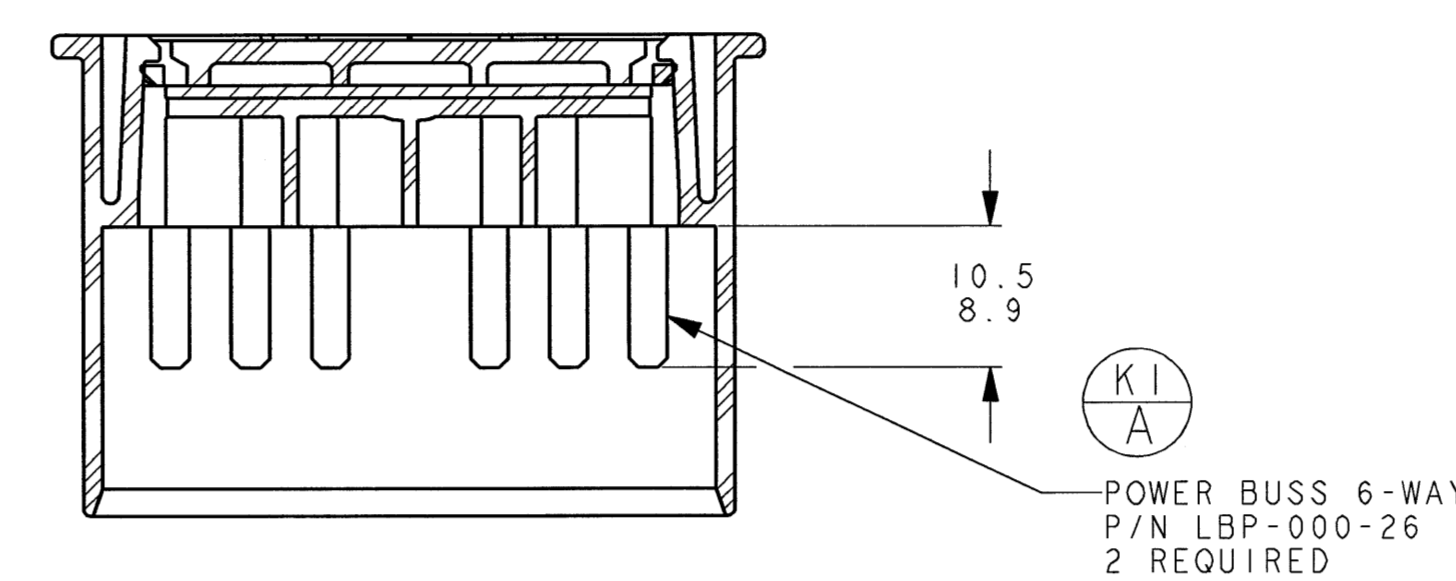
ASSY POWER BUSS
P/N 04707086 & 54201465



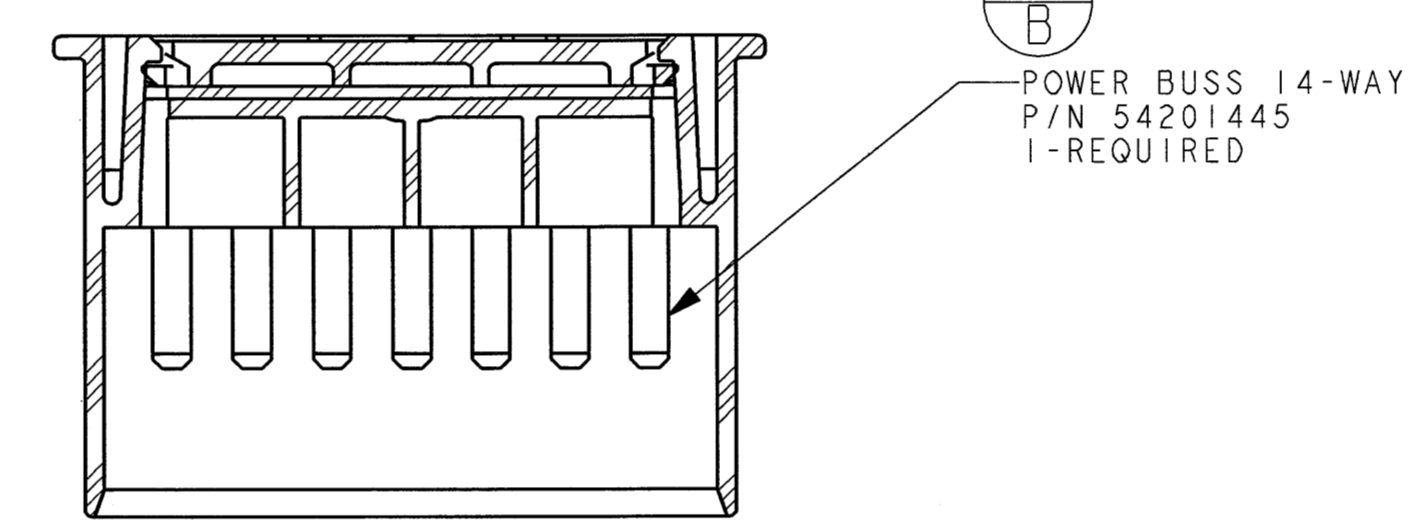
LAST 5 DIGITS OF 8 DIGITS P/N & PART CHANGE LEVEL (PCL) OR
LAST 6 DIGITS OF 10 DIGIT P/N & PART CHANGE LEVEL (PCL)
MFG. DAILY DATE CODE & ASSY MACHINE NO. LETTERING MUST BE LEGIBLE
OPTIONAL:



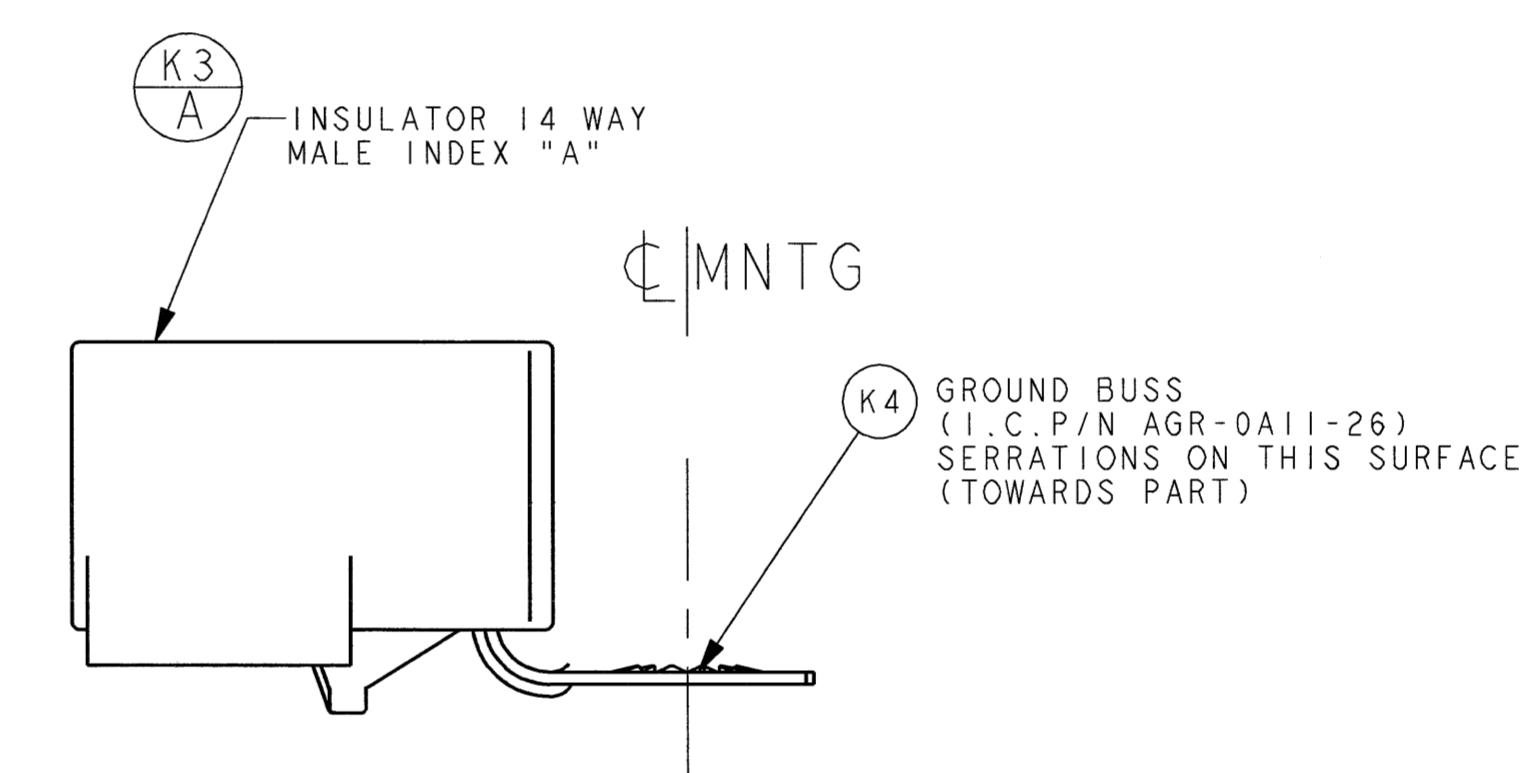
SECTION A-A
ASSY VIEW FOR REF
P/N 04707084 & 04687929



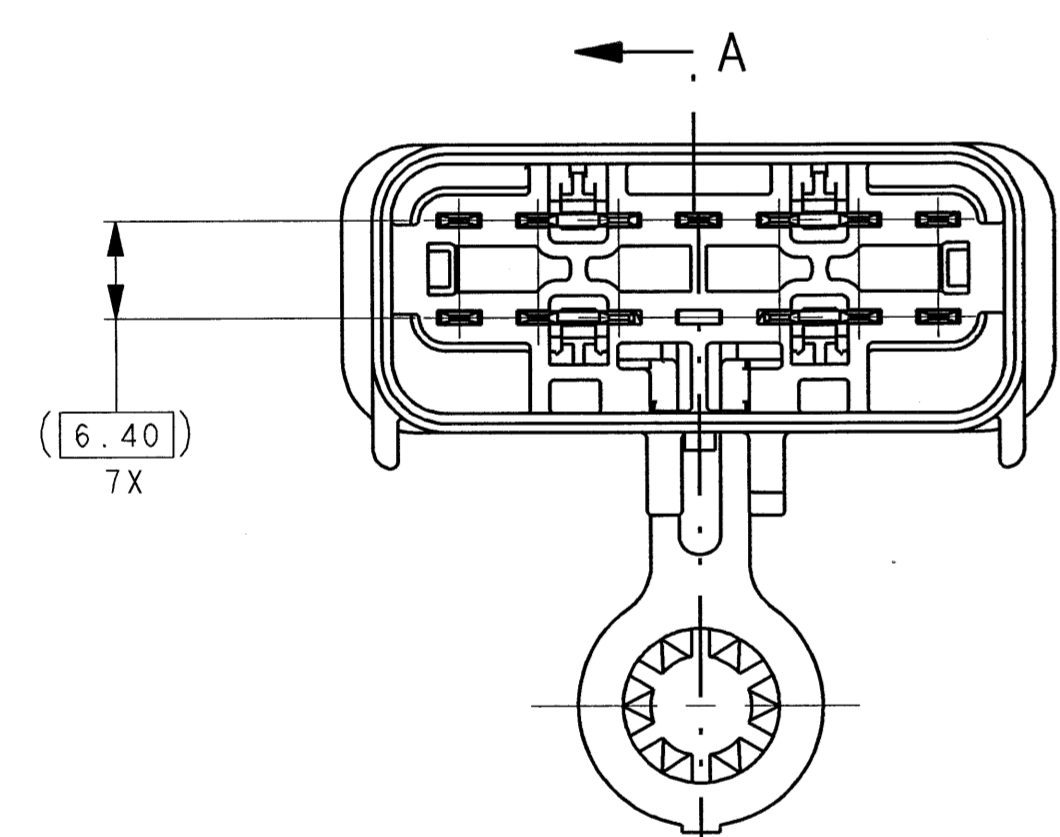
SECTION B-B
SCALE 2:1
ASSY POWER BUSS
P/N 04707086



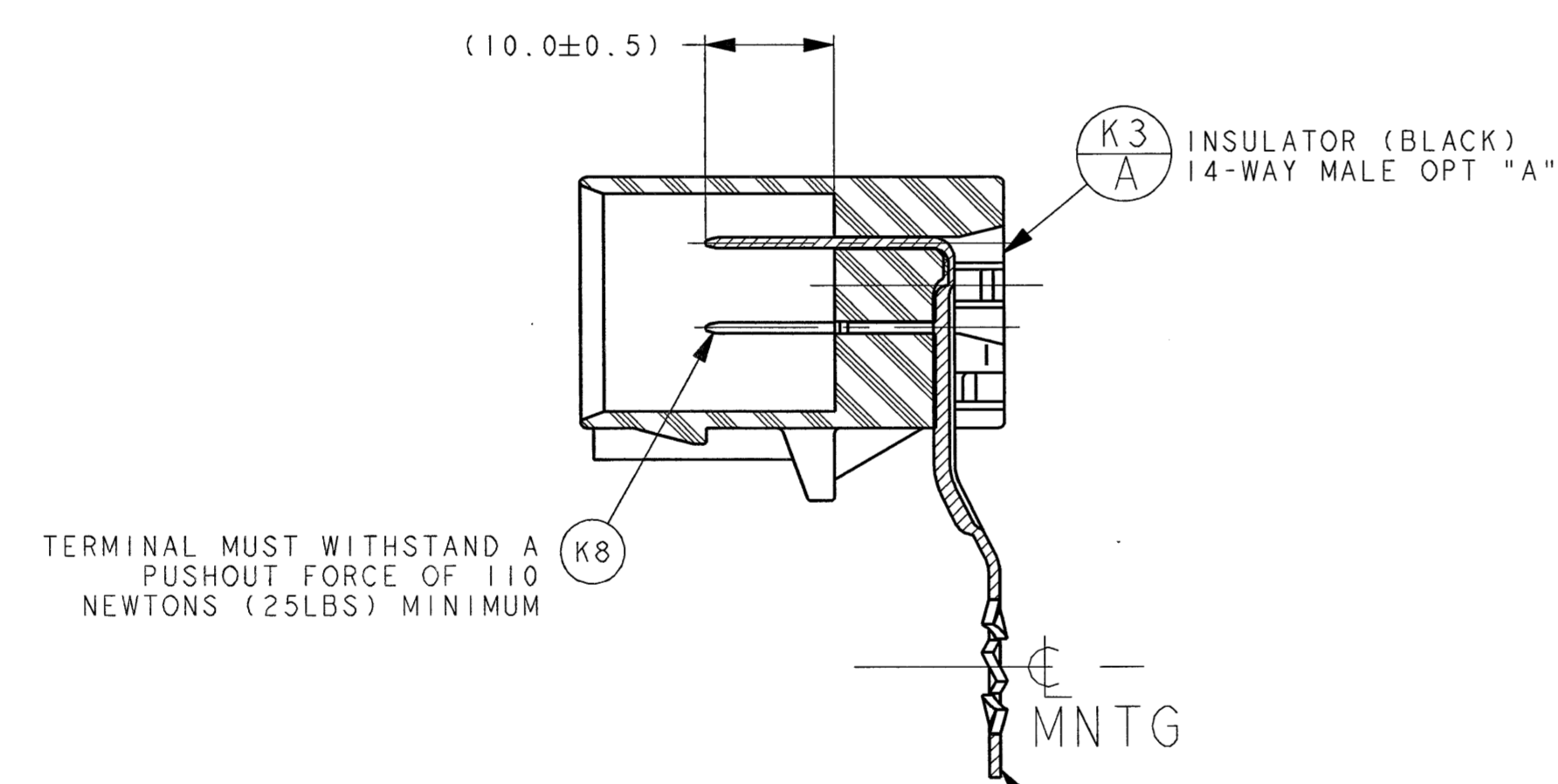
SECTION B-B
ASSY POWER BUSS
P/N 54201465



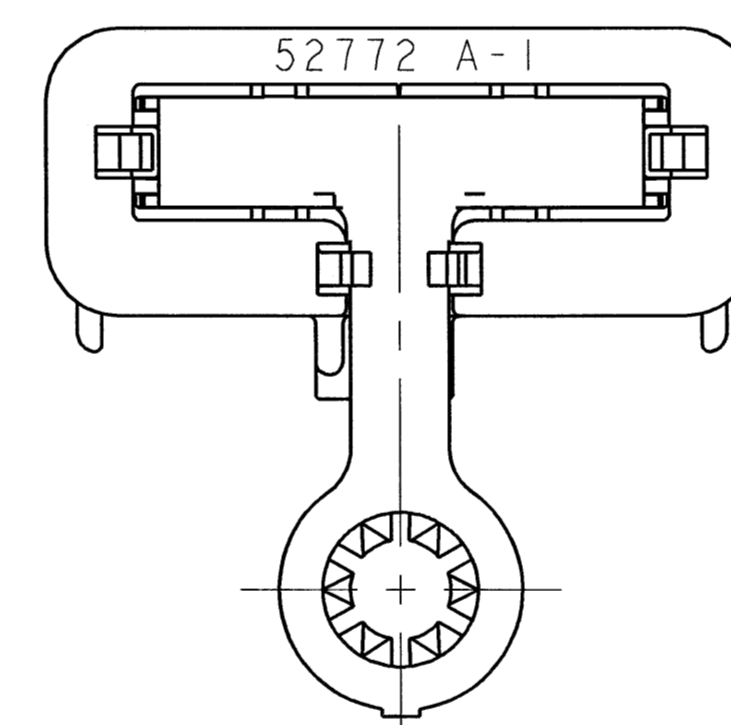
ASSY GROUND BUSS 180°
P/N 04688938



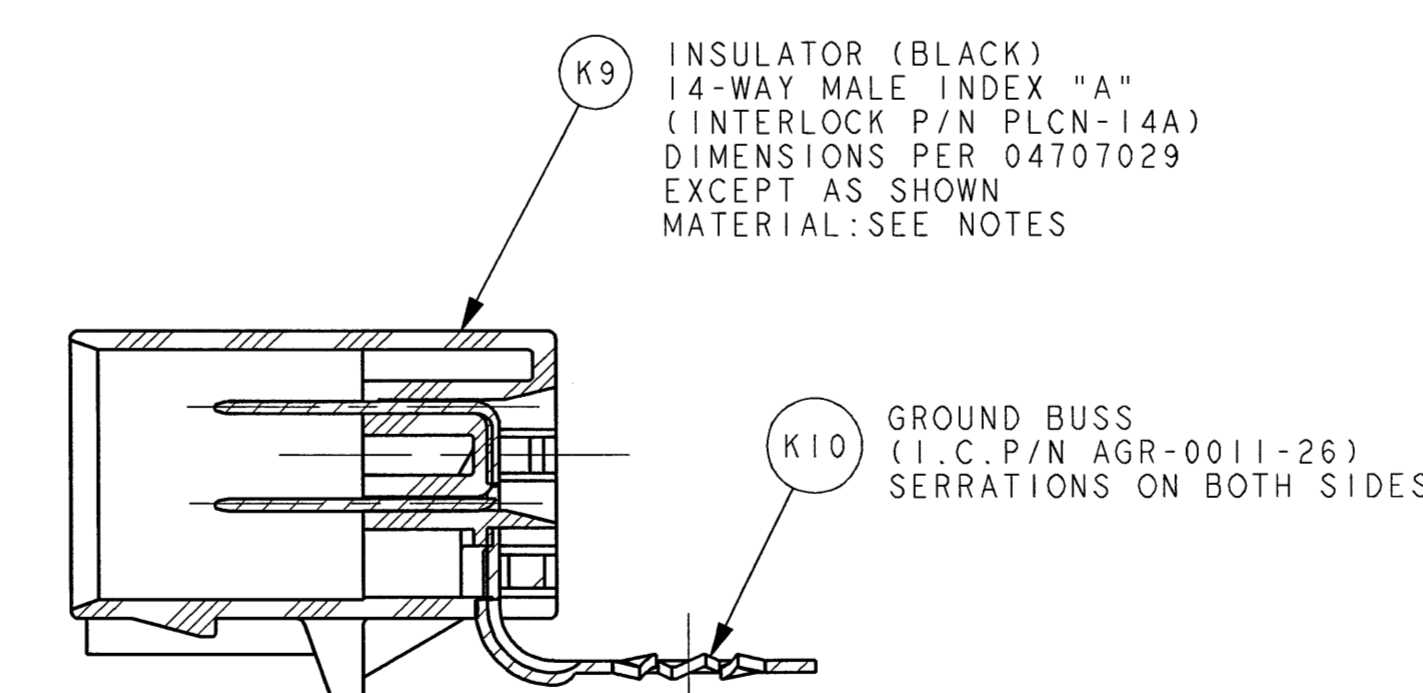
ASSY GROUND BUSS 90°
P/N 04707084



SECTION A-A
ASSY GROUND BUSS 90°
P/N 04707084



ASSY GROUND BUSS 90°
P/N 04707084



ASSY GROUND BUSS 180°
P/N 04707087

QUALITY ASSURANCE REQUIREMENTS PER DCA-7300:1

ENGINEERING APPROVAL OF SAMPLES FROM SUPPLIER IS REQUIRED PRIOR TO AUTHORIZATION OF PART PRODUCTION CHANGES IN DESIGN COMPOSITION OR PROCESSING FROM THE PART PREVIOUSLY APPROVED FOR PART PRODUCTION REQUIRES ENGINEERING APPROVAL

WIRING FABRICATORS MUST PURCHASE FROM SOURCES SHOWN DIMENSIONS FOR REFERENCE ONLY

(K) INDICATES IN-PROCESS INSPECTION FOR MANUFACTURING DIMENSION(S) OR SPECIFICATIONS: 1:1

MATERIAL: INSULATOR & COVER MS-DB41 (SAE PA66) 35% GLASS FILLED NYLON 6/6 HEAT STABILIZED & LUBRICATED BASF ULTRAMID A367, CPN 2224 COLOR: SEE CHART

TERMINAL: GRD & PWR BUSS C 19700 EXTRA HARD TIN PLATE PER PS-39

*** SUPPLIER, MOLD & CAVITY I.D. SIGNIFIES TOOL OWNERSHIP, FOR REFERENCE

ANNUAL QUALITY REQUIREMENTS: IT IS PERMISSIBLE TO PERFORM CONTINUOUS CONFORMANCE PER FCI SPECIFICATION AGA-001 INSTEAD OF ANNUAL LAYOUT & ANNUAL PV REQUIREMENTS OF QS-9000 SECTION 2 & PF-9600

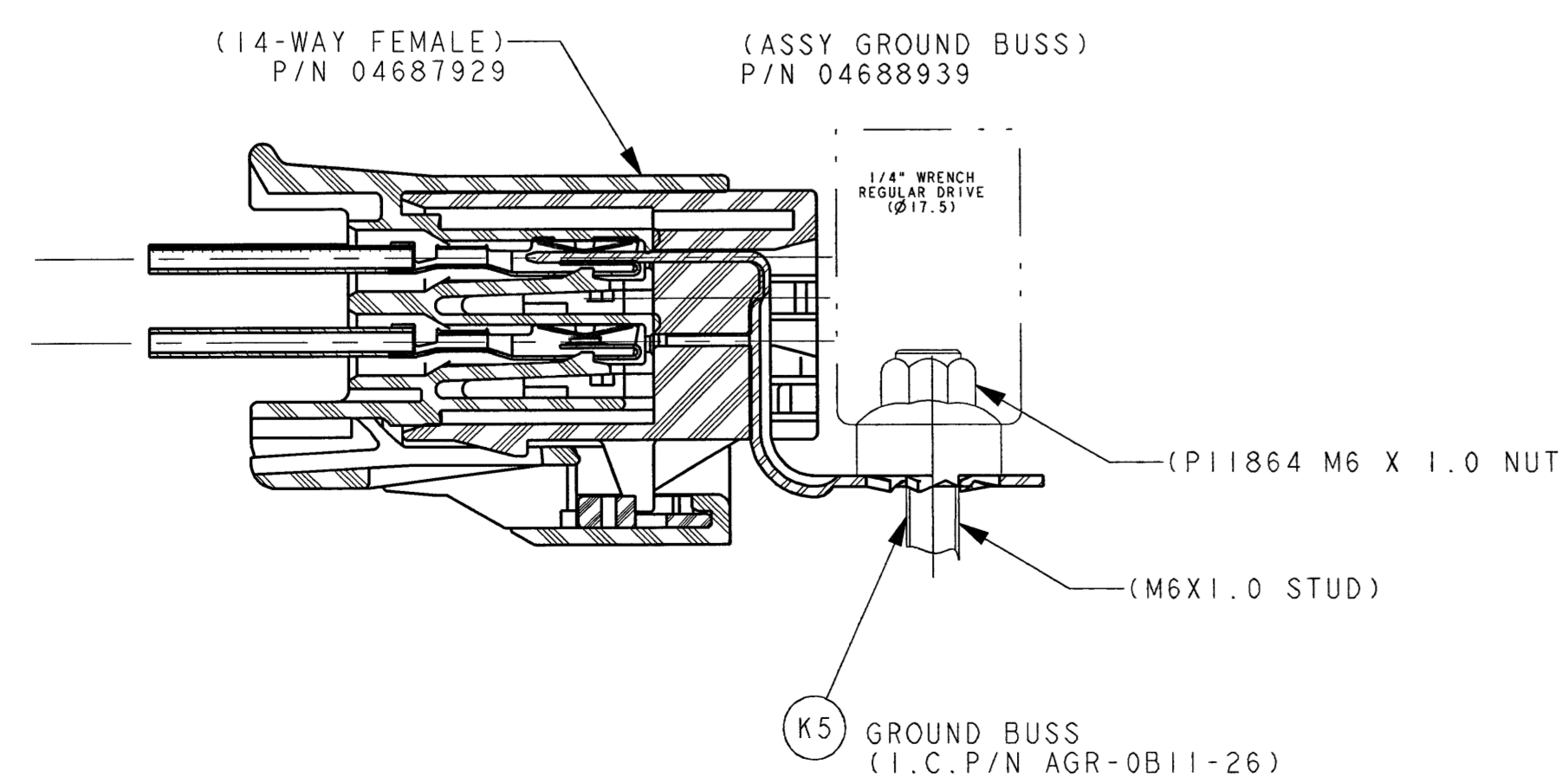
ALL NON-REFERENCE DIMENSIONS ARE REQUIRED

-CURRENT PRODUCTION TOOLING

-POINT OF LAST RUN

SERVICE TOOLING GUIDE INFORMATION PER APEX TRAINING MANUAL

MUST CONFORM TO THE FOLLOWING DCA STANDARDS (1) PS-7300 (2) DS-108 (3) PS-4480 (4) PS-9065 (5) SAE/USCAR-2 REV 4



ASSY VIEW FOR REF
P/N 04688939 & 04687929

VENDOR (CODE)	MATING PART NO.	COLOR	INDEX TYPE	INSULATOR (INTERLOCK) P/N	PART NO.	PART NAME	FCI (INTERLOCK) COVER P/N	PART CHANGE LEVEL	
	04687929	54201400	BLACK	A (PLCN-14A)	04688939	54201409	GROUND BUSS 180° SERRATIONS AWAY FROM PART	NO COVER	J
	04687929	54201400	BLACK	A (PLCN-14A)	04688938	54201408	GROUND BUSS 180° SERRATIONS TOWARD PART	NO COVER	K
	04687929	54201400	BLACK	A (PLCN-14A)	04707087	54201407	GROUND BUSS 180° SERRATIONS ON BOTH SIDES	NO COVER	K
	04687930	54201401	LT GREY	B (PLCN-14B)	N/A	54201465	POWER BUSS-14 WAY	54201471 (PLCV-14A)	R
	04687929	54201400	BLACK	A (PLCN-14A)	04707086	54201410	POWER BUSS 2-6 WAYS		R
	04687929	54201400	BLACK	A (PLCN-14A)	04707084	54201406	GROUND BUSS 90° SERRATIONS ON BOTH SIDES	NO COVER	K
	DCA	FCI							

PART NUMBER F.C.I.	PART NUMBER	REV DATE	REV	DRAWING NUMBER

DRAWING NO. K09001		REVISION R1					
D6	8765	R1	RE-RELEASED WITH CORRECTED VIEWS OF TYPE "B" UPDATES	8-18-06	5	5	5
D6	8603	R	POLARIZATION TYPE "B" INSULATOR MODIFIED TO INSULATE BARE BUSS	07-19-06	5	5	5
DRAWING NO. K09001				REVISION R1			
E1	8550	P	FCI X-REFERENCE PART NUMBERS ADDED AGAINST DCA PART NUMBERS	06-07-06	5	5	5
ALL	7888	N	REVISED & REDRAWN IN PRO-E ON FCI TITLE BLOCK	08-08-05	5	5	5
ALL	7888	N	REPLACED DCA DRW #04707150 REV "M" DATED 02-28-01				
ALL	7888	N	PART NOS. 54001445 POWER BUSS TERMINAL & 54201465 ASSEMBLY ADDED				
ZONE	ECN	LET	REVISION RECORD	DATE	D	W	C
LAST INSP CODE	FCI		FRAMATOME CONNECTORS INTERNATIONAL Automotive Group		THIRD ANGLE PROJECTION		
LAST TOOL CODE	Framatome Connectors Interlock, Inc. 1770 Marie Street Westland, Michigan 48185-3233						
LAST SEC	UNLESS OTHERWISE SPECIFIED						
LAST DATUM	DIMENSIONS IN IN	1 PLACE DIM ± 0.25	2 PLACE DIM ± 0.10	ANGULAR DIM ± 2°	CHECK ENGR. SIGN. DATE	DATE	DATE
C	mm				APPR. SIGN. DATE	DATE	DATE
MATERIAL:	SEE NOTES						
REFERENCE:	04707150						
THIS IS A COMPUTER AIDED DESIGN DRAWING SYSTEM: PRO/E CAD ID. NO.: K09001 FILE NAME: K09001							
NAME: CHART-ASSY 14WAY				DRAWING NO. REF: R1			
MALE GROUND & POWER BUSS				K09001			
[2.80 MM IN-LINE APEX CONN. SYS.]				SHEET 1 OF 1			
TOOL NO.: 4044, A045, A 4046							

Mouser Electronics

Authorized Distributor

Click to View Pricing, Inventory, Delivery & Lifecycle Information:

[Aptiv:](#)

[54201465](#) [54201465-B](#)