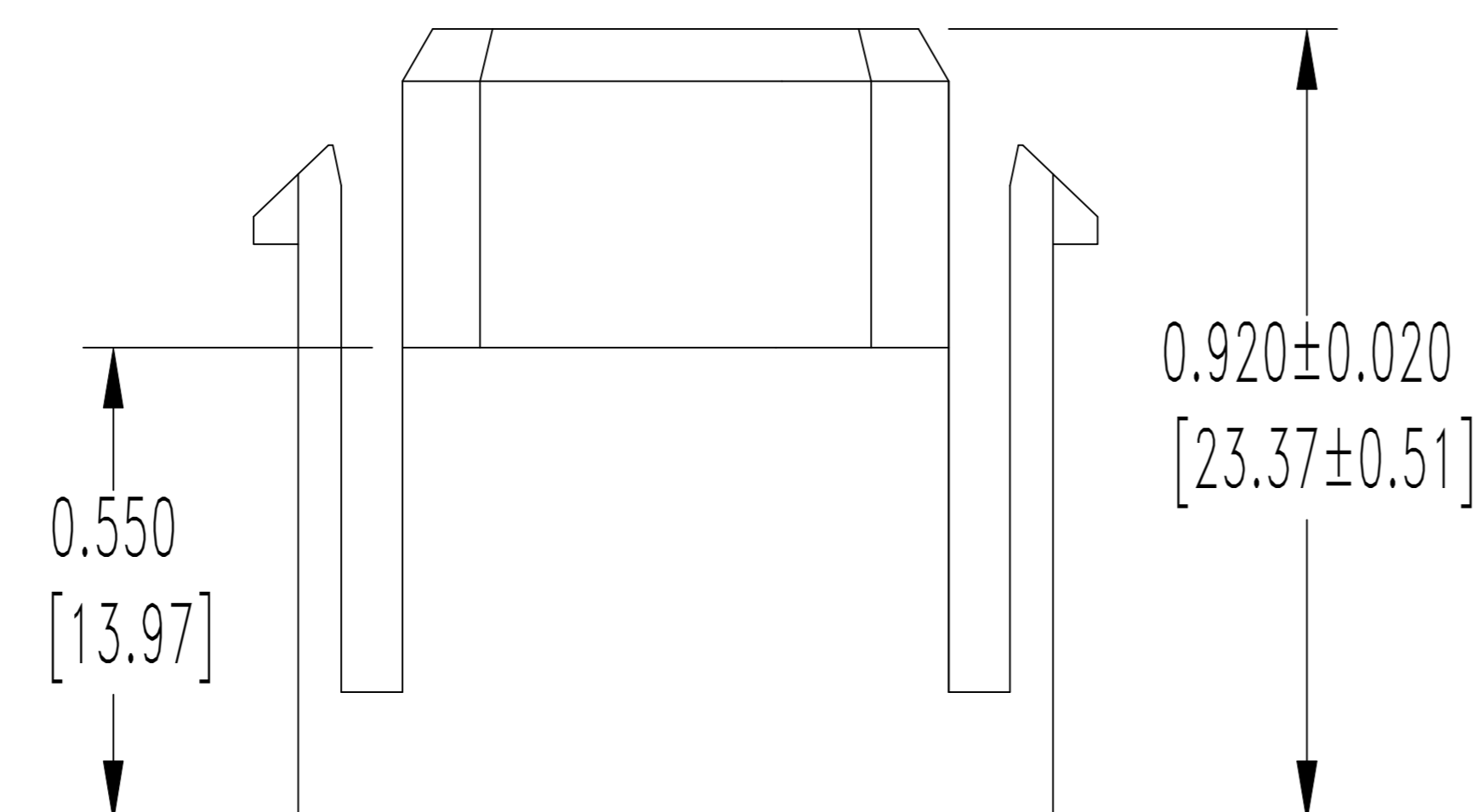
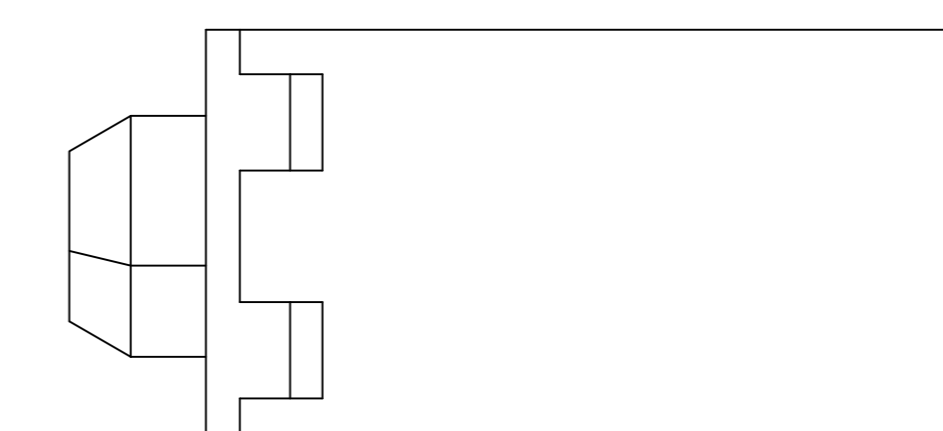
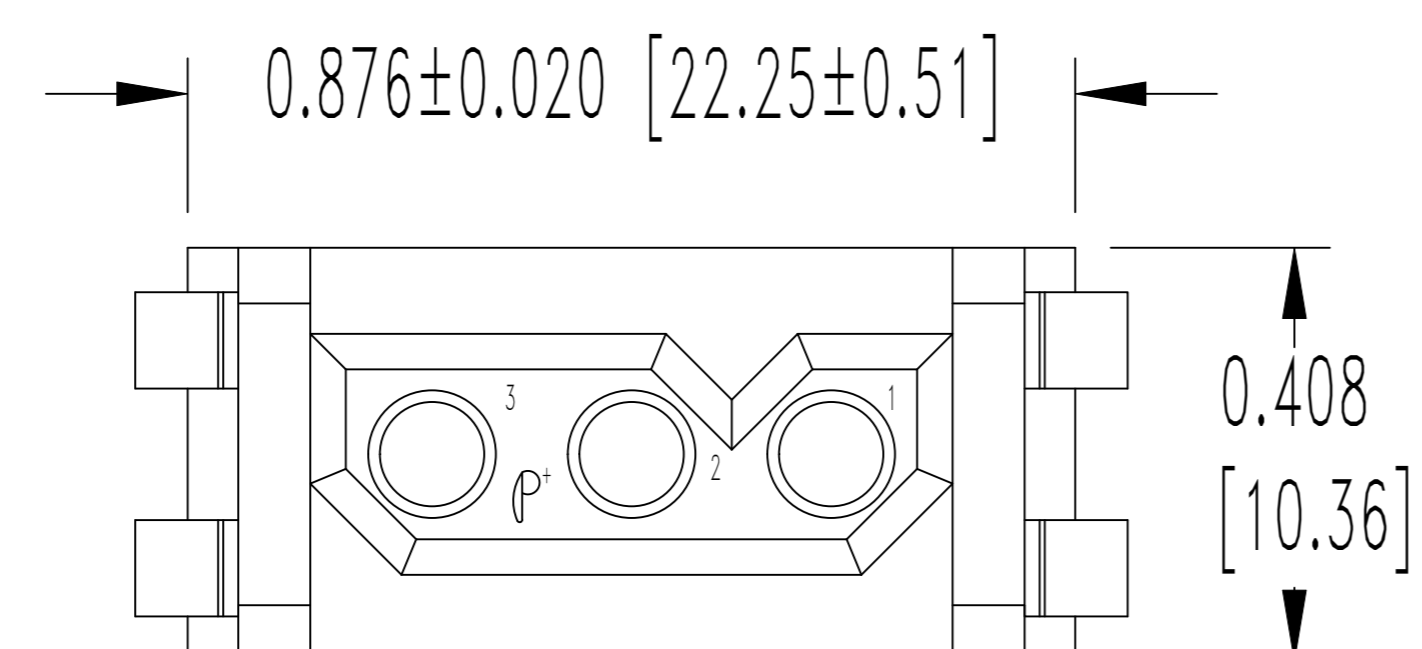


SK6756

THIS DRAWING CONTAINS INFORMATION PROPRIETARY TO POSITRONIC AND ITS SUBSIDIARIES. POSITRONIC BELIEVES THE DATA ON THIS DRAWING TO BE RELIABLE, SINCE THE TECHNICAL INFORMATION IS GIVEN FREE OF CHARGE, THE USER EMPLOYS SUCH INFORMATION AT HIS OWN DISCRETION AND RISK. POSITRONIC ASSUMES NO RESPONSIBILITY FOR RESULTS OBTAINED OR DAMAGES INCURRED FROM USE OF SUCH INFORMATION IN WHOLE OR IN PART.

DATE	REV	REVISION RECORD	APP	DR	CK
11-29-05	NC	ECO 25113	RW	YK	COLE
3-5-12	A	ECO 35322	COLE	MP	COLE



NOTES:

- MATERIALS AND FINISHES:
INSULATOR: GLASS FILLED POLYESTER, UL 94V-0, COLOR BLUE.
- DETAILED PRODUCT, MECHANICAL, AND ELECTRICAL INFORMATION IS AVAILABLE IN THE LATEST POWER CONNECTION SYSTEMS PRODUCT PUBLICATION. VISIT CONNECTPOSITRONIC.COM/PRODUCTS/20/POWERCONNECTIONSYSTEMS OR CONNECTPOSITRONIC.COM.
- CONNECTORS ARE ROHS COMPLIANT PER ROHS DIRECTIVE 2002/95/EC OF 27 JAN 2003.
- DIMENSIONS ARE IN INCHES [MILLIMETERS].

	POSITRONIC INDUSTRIES INC. SPRINGFIELD, MISSOURI 65801	
	PCS SERIES	SCALE N.T.S.
DECIMAL TOL. ± 0.015 [0.38]	DRAWN BY YK APPROVED BY R. WILLIAMS	
TITLE PLA03F0000/AA	DATE 11-29-05	DRAWING NUMBER SK6756
ANGULAR TOL. $\pm 5^\circ$	REV. A	