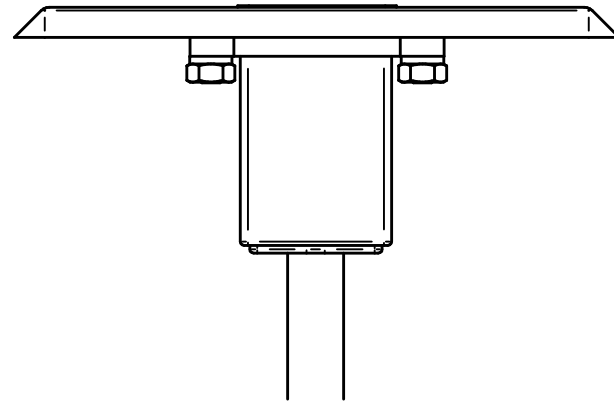


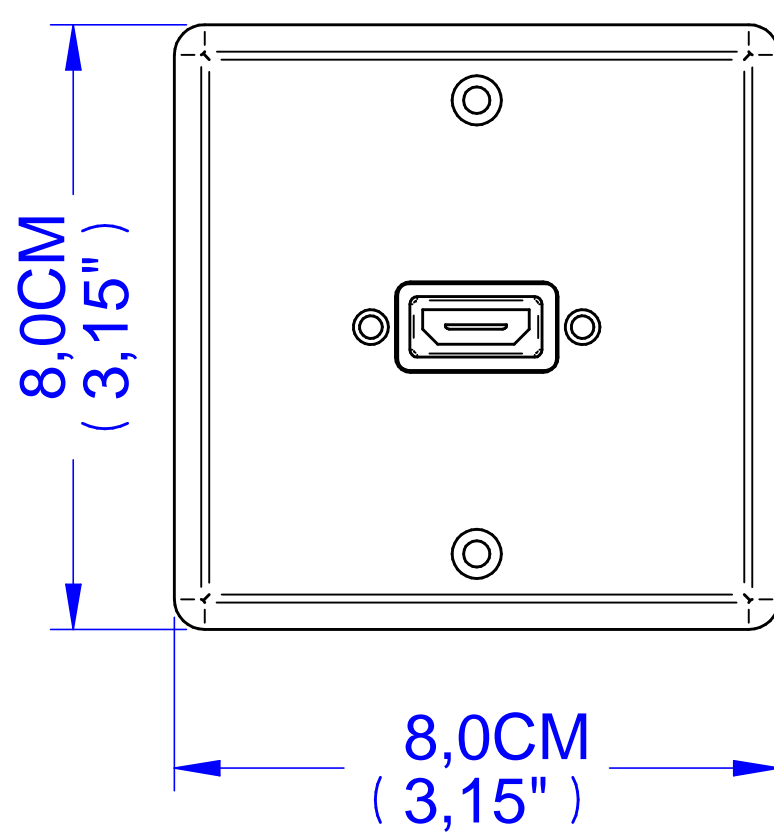
# WP-H1M

REVISION HISTORY

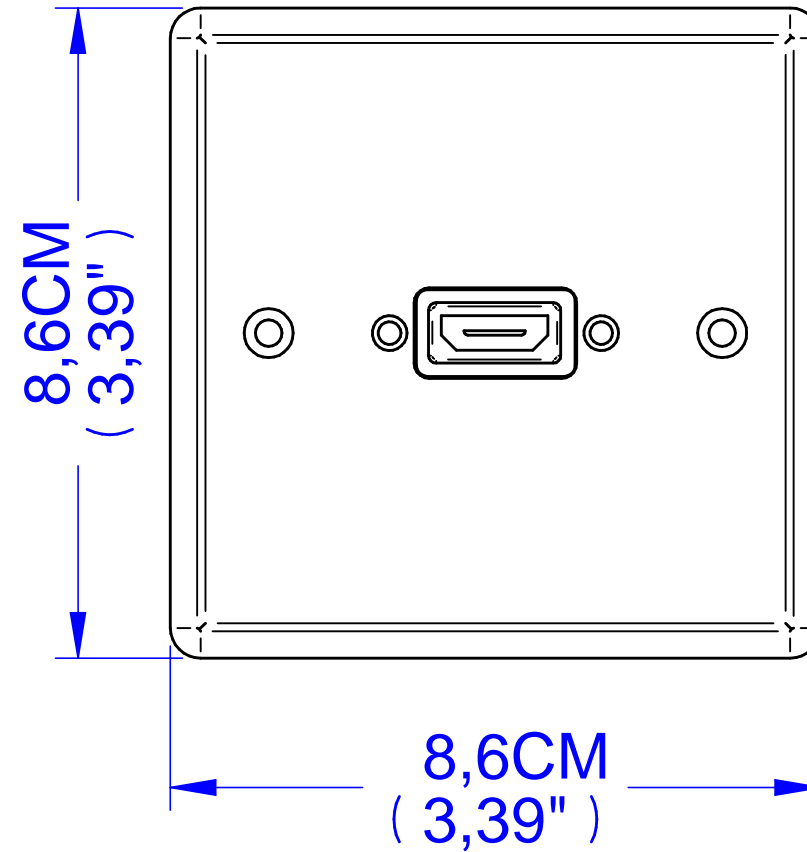
REV	DESCRIPTION	ECO NO.	DATE	APPROVED
1	PRELIMINARY		DD. MM. YY	



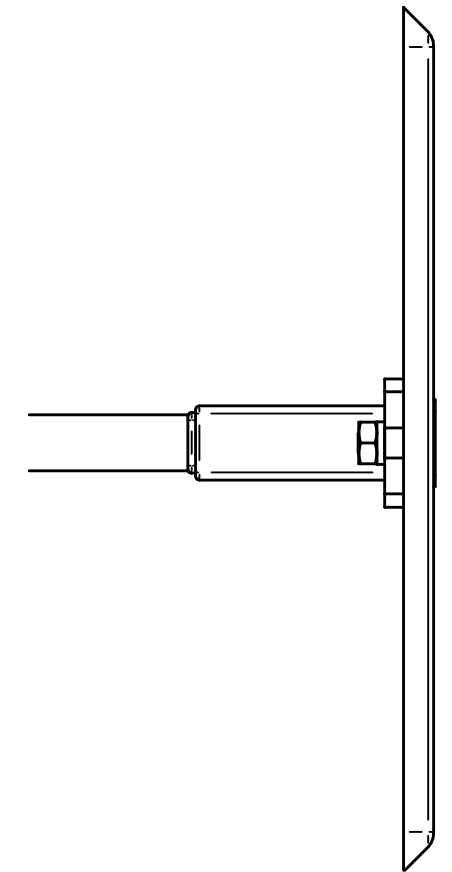
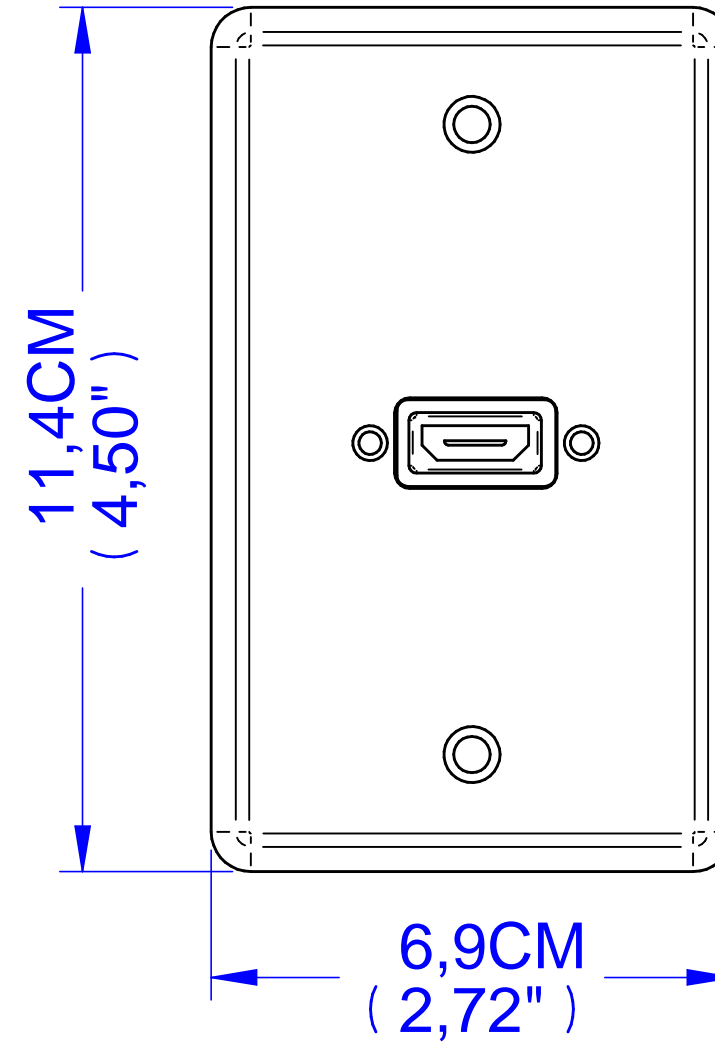
US



BE-DE



EU-GB



	NAME	DATE	General Tolerances According to ISO 2768 From To (INCD) LINEAR 0 30 ±0.1 30 400 ±0.2 400+ ±0.3 ANGLES 0 45 ±1° 45 120 ±0.5° 120 400 ±0.25° HOLES : ±0.2	125/	KRAMER ELECTRONICS LTD. JERUSALEM, ISRAEL
DESIGNED	ihassidim	10/09/14			
DRAWN	ihassidim	10/09/14			
CHECKED					
APPROVED	RADU N.			WEIGHT	
UNLESS OTHERWISE SPECIFIED DIMENSIONS ARE IN MILLIMETERS				THIS DRAWINGS CONTAINS PROPRIETARY INFORMATION AND IS NOT TO BE USED OR REPRODUCED WITHOUT THE PERMISSION OF: KRAMER ELECTRONICS LTD.	PART: WP-H1M-OUTLINE KRAMER DRW.: WP-H1M-OUTLINE KRAMER P.N.: WP-H1M-OUTLINE
Project :	WP-H1M			SIZE	A3
				REV.	1
				File Name:	WP-H1M-OUTLINE .dft
				SHEET	1 OF 1