

ROHS Compliant

Code: SF24LJ

**Performance:**

Meets C6 EIA/TIA 568B Standard.

**Materials:**

Panel : Cold rolled steel (SPCC)

Jack : 8P8C 50 $\mu$ "/1.27 $\mu$ m gold plated

PCB : FR-4 / UL-94V0

IDC Body : Fireproof ABS UL-94V0

IDC Pin : Bronze & Tinned

Lock Bar : Cold rolled steel (SPCC)

Key : Cold rolled steel (SPCC) and PVC moulding

IDC Description : For 22-26 AWG / 0.65 - 0.40mm  
For 110 or Krone punch-down Tool

**Electrical Specifications:**

Insulation Resistance : 500 M $\Omega$  (min.)

Contact Resistance : 20 m $\Omega$  (max.)

Current Rating : 1.5 Amps .

DC Resistance : 0.1 ohms (max.)

Withstanding Voltage : 1000 VAC RMS @ 60Hz / 1 min.

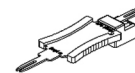
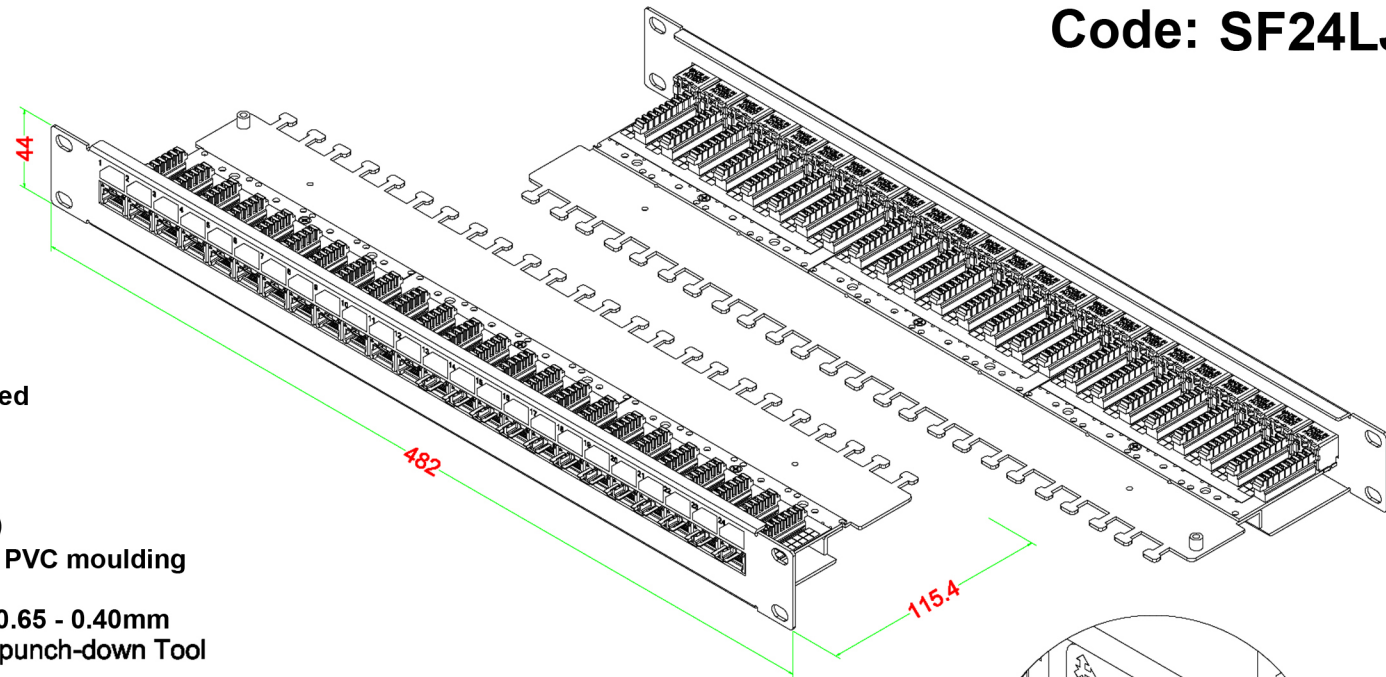
**Mechanical Specifications:**

IDC Punch Down Cycle : Over 250 Cycles (min.)

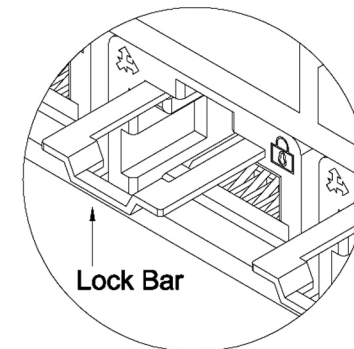
Jack Insertion Cycle : Over 2000 Cycles (min.)

Lock Bar Tension : 15 kgs (min.)

Operation Temperature : -40  $^{\circ}$ C ~ +70  $^{\circ}$ C



Unlock Key (Optional)



TOLERANCE: X  $\pm$  1 · X  $\pm$  0.2 · XX  $\pm$  0.15