

General Specifications

Motor Protection: Auto Restart / Polarity Protection
 Insulation Resistance: 10M Ohm or over with a DC500V Megger
 Dielectric Withstand Voltage: AC 700V 1st
 Allowable Ambient Temperature Range:
 -10 degree C ~ +70 degree C (Operating)
 -40 degree C ~ +70 degree C (Storage)
 (non-condensing environment)

Material

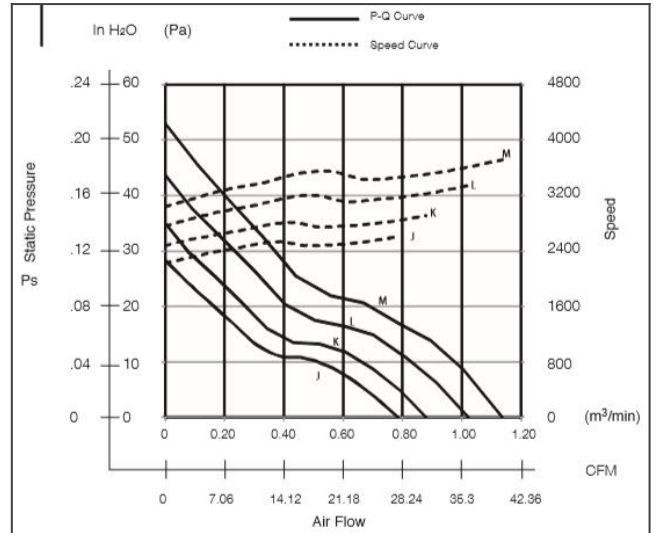
Casing: Plastic (Black) UL94V-0
 Impeller: Plastic (Black) UL94V-0
 Lead Wire: UL3385, AWG26, +Red, -Black

order part 08020SA-24J-EA-00 Ball Bearing Fan DC Fans

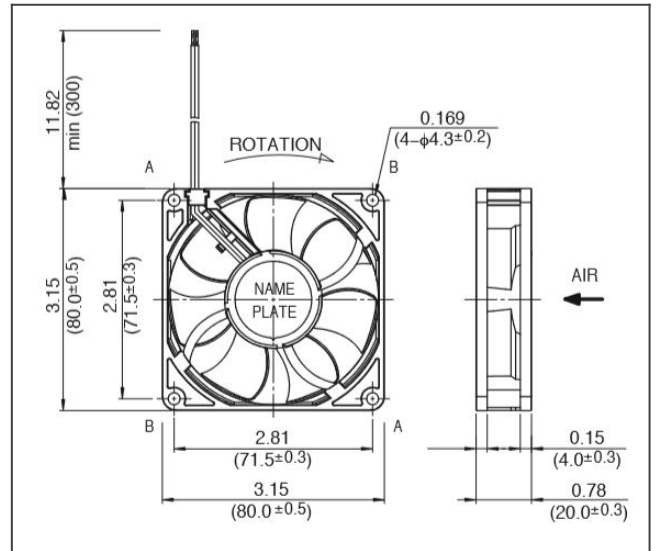


DC Fans

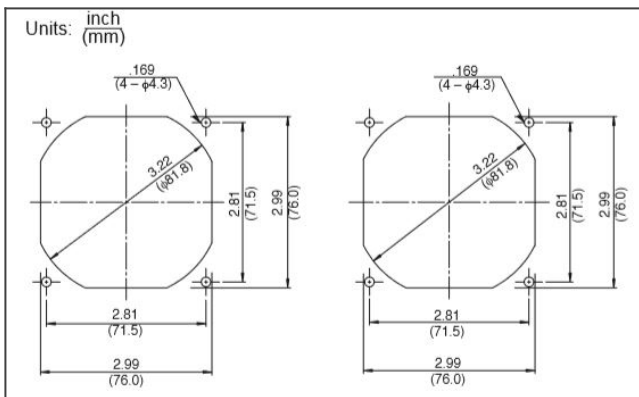
08020SA characteristic curve



08020SA product drawing



08020SA panel cut out



Detailed Specifications

DC Fans

Expected Life:	60 degree C 40,000 Hours (L10)
DC Fan:	Ball Bearing Fan
Nominal Voltage:	24[V]
Operating Voltage Lower:	9[V]
Operating Voltage Upper:	27.6[V]
Current:	0.05[A]
Input Power:	1.2[W]
Speed:	2600[rpm]
Max. Air Flow:	0.77[m ³ /min]
Max. Air Flow:	27.5[CFM]
Max. Static Pressure:	22.4[Pa]
Max. Static Pressure:	0.09[In H ₂ O]
Noise:	27[dB]
Mass:	79.83[g]
Fan Size:	80[mm]
Fan Width:	20[mm]
Life Expectancy L10:	60 degree C 40,000 Hours (L10)
Series:	08020SA