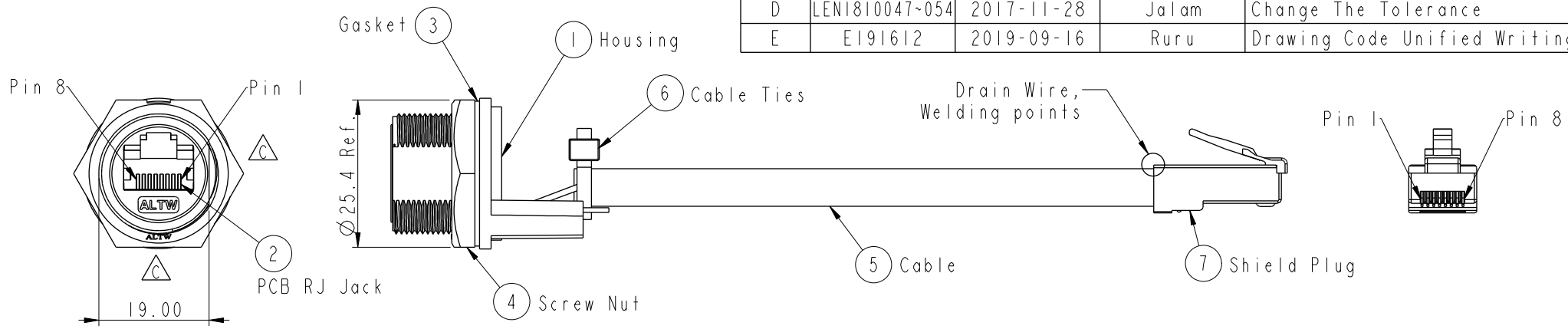


THIS DOCUMENT IS SUBJECT TO CHANGE WITHOUT NOTICE. IT IS CONFIDENTIAL AND A PROPERTY OF Amphenol LTW. DISCLOSURE TO THIRD PARTY HAS TO BE AUTHORIZED BY Amphenol LTW.

REV.	ECN NO.	DATE	SIGN	DESCRIPTION
C	LEN1440110	2014-04-10	Tom_gu	Change H Cut To D Cut
D	LEN1810047~054	2017-11-28	Jalam	Change The Tolerance
E	E191612	2019-09-16	Ruru	Drawing Code Unified Writing



ALTW
 CONFIDENTIAL
 2019-09-16
 R&D DEPT.



Cable length	Tolerance
0.0~100 mm	±10 mm
101~300 mm	±15 mm
301~1000 mm	±20 mm

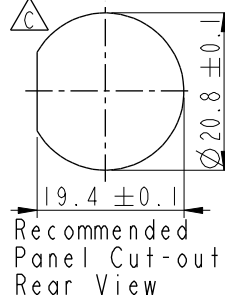
- Note:
- * \varnothing Important Dimension
 - * Waterproof Rate : IP67 Unmated
 - * Housing : Nylon+GF,UL 94V-0,BLACK
 - * Screw Nut : Nylon+GF,BLACK
 - * Gasket : Silicone,UL 94V-0,Gray.
 - * PCB: FR-4
 - * Jack : PBT Polyester UL 94V-0
 - * Use without Waterproof cap or Dust cap
For Panel Thickness Max: 4.2mm
 - * Use with Waterproof cap or Dust cap
For Panel Thickness Max: 3.0mm
 - * Screw torsion value range: 8~12kgf-cm

RCP-5SPFFP-SCU7BXX \triangle

10: 100mm
 15: 150mm
 20: 200mm
 }
 A0: 1000mm

Cable Pitch Unit=50mm
 Cable Length(L):100~1000mm

Shield	Drain Wire	接地線	Shield	
8	Brown	棕	8	Twist
7	White/Brown	白/棕	7	
6	Green	綠	6	Twist
5	White/Blue	白/藍	5	
4	Blue	藍	4	Twist
3	White/Green	白/綠	3	
2	Orange	橘	2	Twist
1	White/Orange	白/橘	1	
Jack	Wire Color	Pin Out	Plug	



UNIT: mm

TOLERANCE	
.X	±0.25
.XX	±0.1
.XXX	±0.05
ANGLES	±1°

TITLE			
RJ45,C SIZE,UNMATED WATERPROOF			
SCALE	1:1	SIZE	A4
REV.	E	WC-REV.	B.5
		\varnothing : Inspection item	

Amphenol LTW
 安費諾亮泰企業股份有限公司

ITEM NO	DRAWN BY	DATE
	Ruru	2019-09-16
DWG NO	CHECKED BY	DATE
RCP-5SPFFP-SCU7BXX	Rita	2019-09-16
CUSTOMER	APPROVED BY	DATE
ALTW	Max	2019-09-16