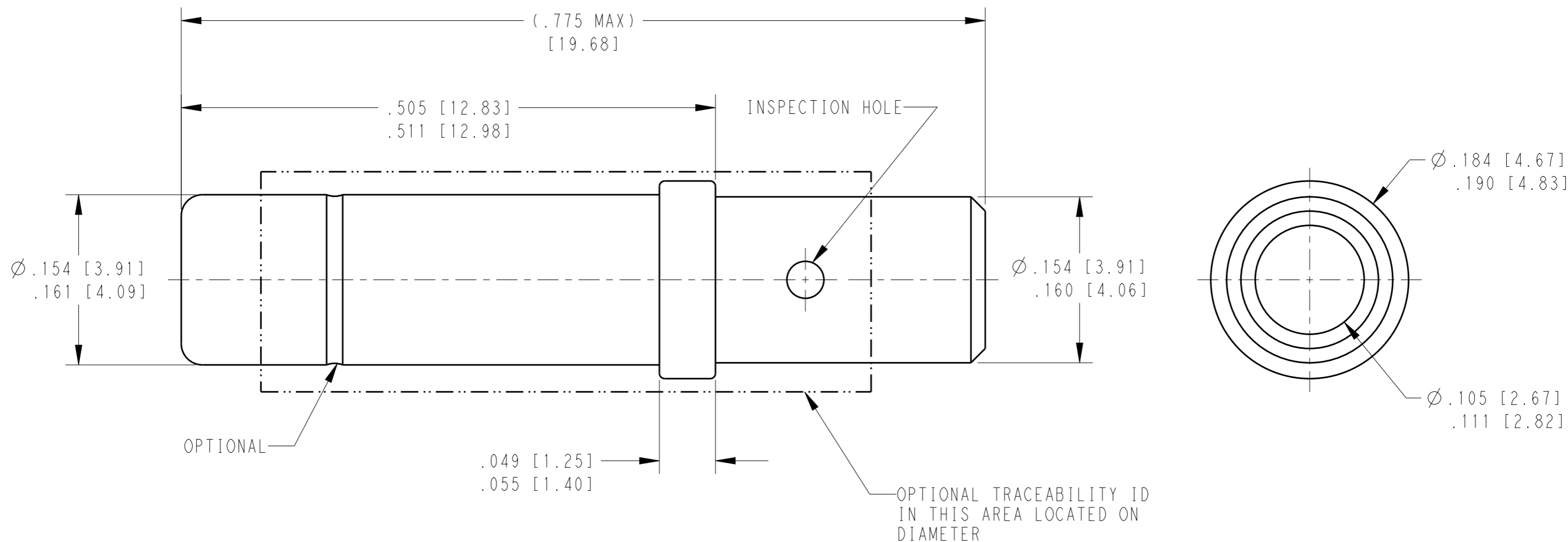


THIS DRAWING IS UNPUBLISHED  
 RELEASED FOR PUBLICATION 2018  
 © COPYRIGHT 2009 BY TE CONNECTIVITY ALL RIGHTS RESERVED.

LOC	DIST	REVISIONS			
P	LTR	DESCRIPTION	DATE	DWN	APVD
	NC	NEW RELEASE PER E.O 1399	13APR1984	JA	DM
	A	REVISED AND REDRAWN PER EO P20205	02JUN2009	JA	RDR
	B	REVISED PER PCN E-18-001206	24JAN2018	JA	DM
	B1	REVISED PER PCN E-19-018080	19NOV2019	MK	DM



TE INTERNAL PN	DEUTSCH PN	PLATING
0462-210-1231	0462-210-1231	GOLD

THIS DRAWING IS A CONTROLLED DOCUMENT.		DWN	29JUN2009												
DIMENSIONS: INCHES [mm]		CHK	29JUN2009												
TOLERANCES UNLESS OTHERWISE SPECIFIED:		APVD	29JUN2009												
<table border="0"> <tr><td>0 PLC</td><td>±</td></tr> <tr><td>1 PLC</td><td>±</td></tr> <tr><td>2 PLC</td><td>±</td></tr> <tr><td>3 PLC</td><td>±</td></tr> <tr><td>4 PLC</td><td>±</td></tr> <tr><td>ANGLES</td><td>±</td></tr> </table>		0 PLC	±			1 PLC	±	2 PLC	±	3 PLC	±	4 PLC	±	ANGLES	±
0 PLC	±														
1 PLC	±														
2 PLC	±														
3 PLC	±														
4 PLC	±														
ANGLES	±														
MATERIAL		FINISH		NAME	CONTACT SOCKET SIZE 12										
		WEIGHT	1.31g	SIZE	A3										
		CUSTOMER DRAWING		CAGE CODE	4AFU8										
				DRAWING NO	0462-210-1231										
				RESTRICTED TO											
				SCALE	10:1										
				SHEET	1 OF 1										
				REV	B1										

(B1) 1. SEE APPLICATION SPECIFICATION 114-151004 FOR CRIMP TOOLS AND WIRE RANGE

NOTES:

# Mouser Electronics

Authorized Distributor

Click to View Pricing, Inventory, Delivery & Lifecycle Information:

[TE Connectivity:](#)

[0462-210-1231](#)