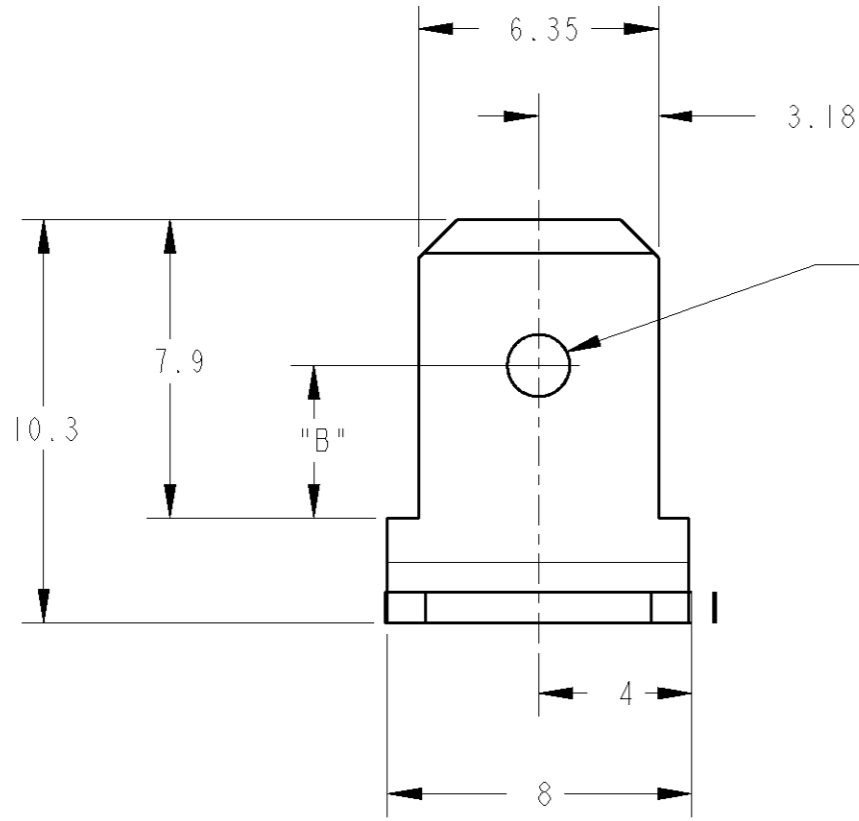


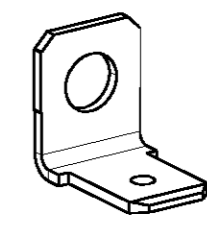
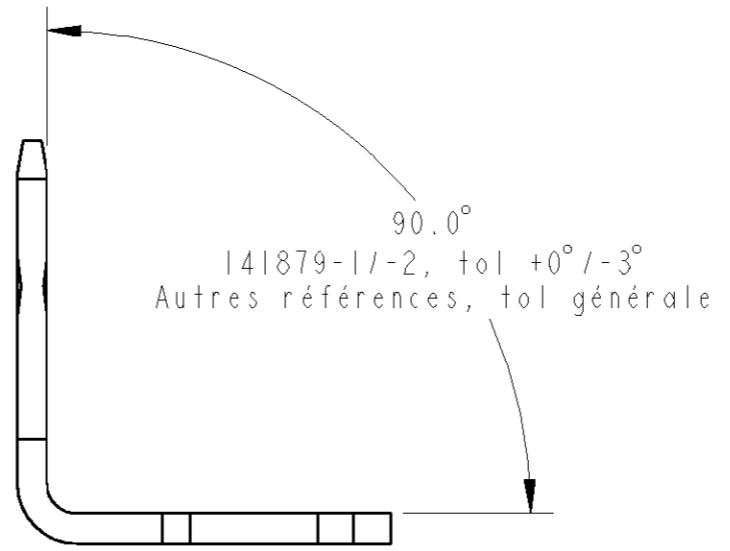
THIS DRAWING IS UNPUBLISHED.  
 DIFFUSION RESTREINTE AMP  
 © COPYRIGHT BY

RELEASED FOR PUBLICATION  
 LIBRE A LA DIFFUSION  
 20  
 ALL RIGHTS RESERVED.  
 TOUS DROITS RESERVES

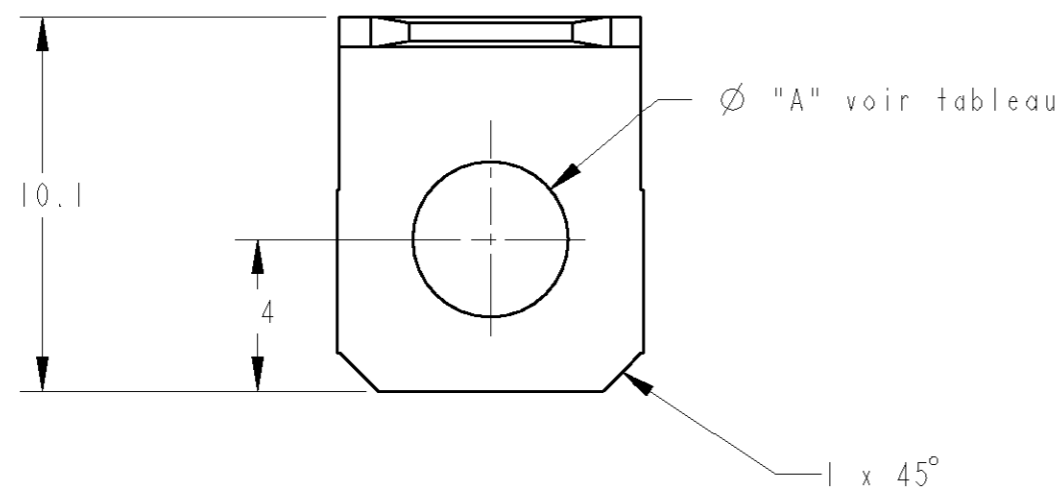
LOC		DIST		REVISIONS			
P	LTR REV	DESCRIPTION MODIFICATIONS		DATE	DWN DESS.	APVD APP.	
F	7	J1	REVISED PER ECO-11-005150	28APR11	RK	HMR	



Bossage  $\varnothing$  1.7  
 ou  
 Trou  $\varnothing$  2  
 ITEM "C" (voir tableau)



ECHELLE 2:1



142612-2	etame	3	3.4	trou
142612-1	brut	3	3.4	trou
141879-2	etame	4.1	3.4	trou
141879-1	brut	4.1	3.4	trou
140793-2	etame	4.1	3.4	trou
140793-1	brut	4.1	3.4	trou
140732-2	etame	3.1	4	bossage
140732-1	brut	3.1	4	bossage
140600-0	etame	3.7	4	bossage
140599-0	brut	3.7	4	bossage
140594-0	etame	4.1	4	bossage
140593-0	brut	4.1	4	bossage
Numero	Finition	"A"	"B"	"C"

DIMENSIONS: mm		TOLERANCES UNLESS OTHERWISE SPECIFIED: TOLERANCES NON SPECIFIEES (SUIV NB DE DECIMALES): 0 PLC/DEC: $\pm$ 0.2 1 PLC/DEC: $\pm$ 0.2 2 PLC/DEC: $\pm$ 0.2 3 PLC/DEC: $\pm$ 0.2 4 PLC/DEC: $\pm$ 0.2 ANGLES $\pm$ 30'	
MATERIAL/MATIERE LAITON Epaisseur : 0.8mm		FINISH/FINITION VOIR TABLE	

**TE** TE Connectivity

NAME/TITRE: FASTON TABS BENT 90 .250 series  
 LANGUETTE POUR CLIPS

**NOT the LATEST REVISION**

SIZE FORMAT	CAGE CODE	DRAWING NO No PLAN	RESTRICTED TO RESERVE A
A3	00779	C=140593	-

CUSTOMER DRAWING /PLAN CLIENT UNTOQUEMENT POUR REFERENCE SCALE ECHELLE 5:1 SHEET FEUILLE OF DE REV J1

# Mouser Electronics

Authorized Distributor

Click to View Pricing, Inventory, Delivery & Lifecycle Information:

[TE Connectivity:](#)

[141879-2](#)