

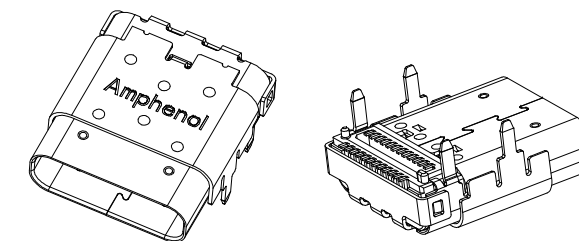
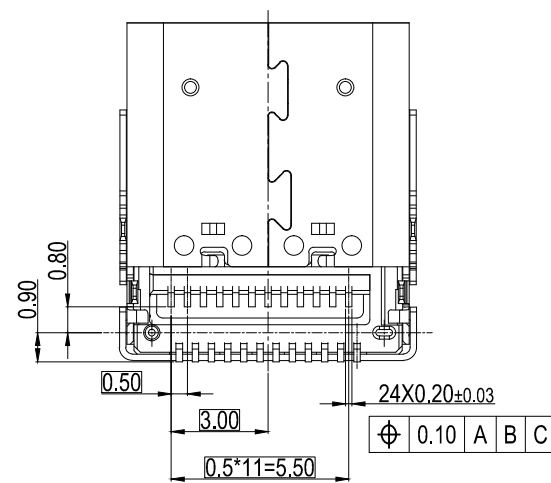
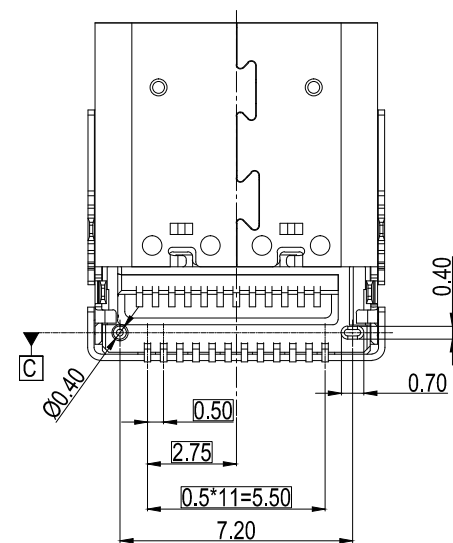
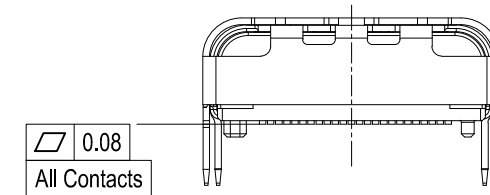
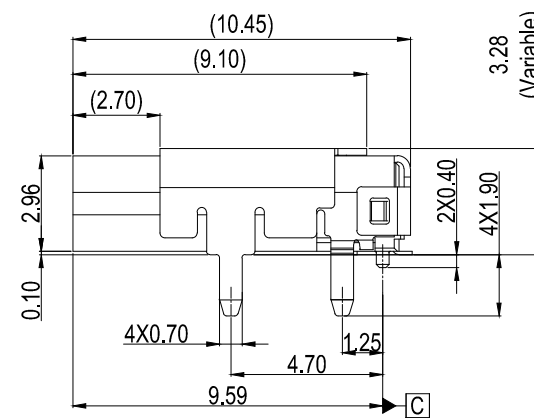
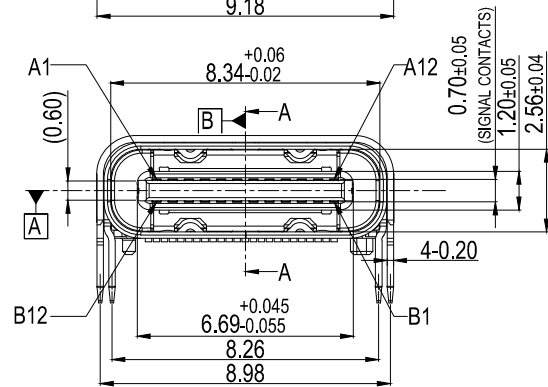
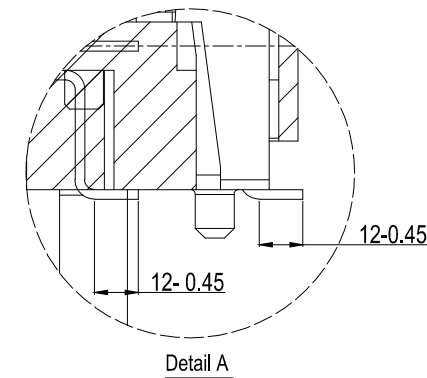
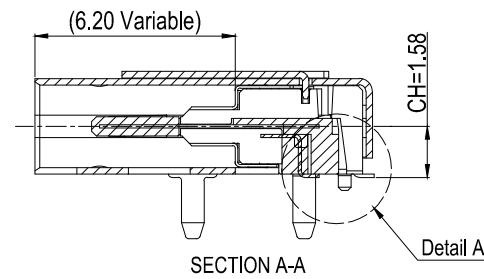
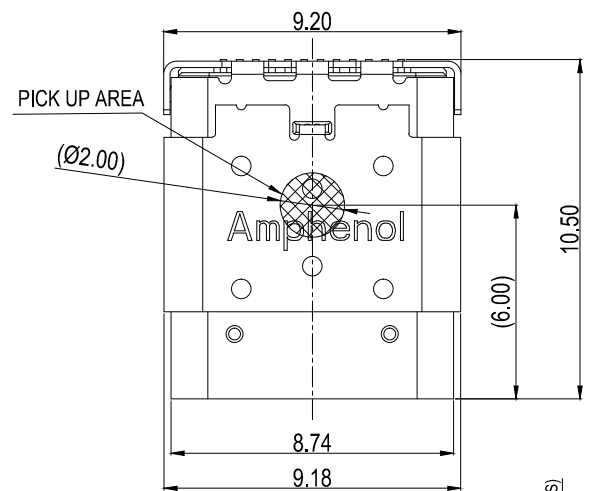
This document is the property of Amphenol Corporation and is delivered on the express condition that it is not to be disclosed, reproduced or used, in whole or in part, for manufacture or sale by anyone other than Amphenol Corporation without its prior consent, & that no right is granted to disclose or to use any information in this document.



CUSTOMER DRAWING

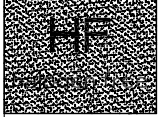
REVISIONS				
SYM	ECN	DESCRIPTION	DATE	APPROVED
1	20200001	NEW RELEASE	2020/01/07	Tom.Tang
2	2020XXX	Add more dimension by customer requirement	2020/02/18	Tom.Tang

Pin No	Signal Name	Mating Sequence	Pin No	Signal Name	Mating Sequence
A1	GND	First	B12	GND	First
A2	TX1+	Second	B11	RX1+	Second
A3	TX1-	Second	B10	RX1-	Second
A4	Vbus	First	B9	Vbus	First
A5	CC1	Second	B8	SBU2	Second
A6	D+	Second	B7	D-	Second
A7	D-	Second	B6	D+	Second
A8	SBU1	Second	B5	CC2	Second
A9	Vbus	First	B4	Vbus	First
A10	RX2-	Second	B3	TX2-	Second
A11	RX2+	Second	B2	TX2+	Second
A12	GND	First	B1	GND	First
SHELL	GND		SHELL	GND	



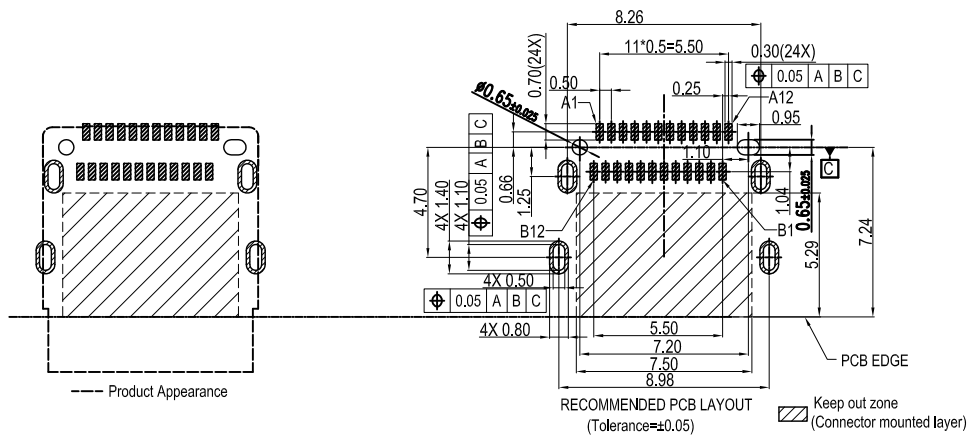
UNLESS OTHERWISE SPECIFIED TOLERANCES U.S. METRIC .X +/- 0.50 .XX +/- 0.15 .XXX +/- 0.10 FRACTIONS +/- 3" ANGLES +/- FOR MATERIALS AND FINISHES SEE NOTES REMOVE SHARP EDGES DIMENSIONS U.S. INCHES (METRIC) (MM)	APPROVAL DRAWN Fai.Wu CHECKED Weison.Lu CHECKED	DATE 02/18/20 02/18/20	Amphenol Amphenol East Asia Limited TITLE USB 3.1 GEN2, Type C connector, R/A, Top mount, Double SMT type, CH=1.58mm SIZE DRAWING NO. A3 C 12401826 SCALE NONE SHEET 1 OF 2
	DRAWING FILE : R:\DCI\Engineering data\RD\工程图客户图		
	ANGLE OF PROJECTION		
	REV. 2		

This document is the property of Amphenol Corporation and is delivered on the express condition that it is not to be disclosed, reproduced or used, in whole or in part, for manufacture or sale by anyone other than Amphenol Corporation without its prior consent, & that no right is granted to disclose or to use any information in this document.



CUSTOMER DRAWING

REVISIONS				
SYM	ECN	DESCRIPTION	DATE	APPROVED



NOTES/注释:

- MATERIAL/材料: **SEE TABLE/见下表**
- GENERAL SPECIFICATION/通用特性:
 - COPLANARITY/共面度: **0.10 Max.**
 - CURRENT RATING: 5A / 额定电流: 5安培
 - CONTACT RESISTANCE: 40mΩ MAX (INITIAL).
INSULATION RESISTANCE: 100MΩ **Min**
接触电阻: 40毫欧最大(初始值) / 绝缘电阻: 100MΩ Min
 - DIELECTRIC WITHSTANDING VOLTAGE: 100 VAC
耐电压: 100伏交流
 - MECHANICAL CHARACTERISTICS:
INSERTION FORCE: 5~20N EXTRACTION FORCE: 8~20N
AFTER DURABILITY EXTRACTION FORCE: 6~20N
力学特性: 初始插入力: **5~20N** 拔出力: **8~20N**
耐久后拔出力: **6~20N**
 - DURABILITY: 10000 CYCLES / 耐久性: 10000次**
 - PACKAGING TYPE: CARRIER TAPE./ 包装类型: 载带包装**
- DIMENSIONING SHALL BE INTERPRETED PER ASME Y14.5M 1994.
尺寸标注基于ASME Y14.5M 1994标准规范
- MATERIAL SHOULD BE FULFILLED AMPHENOL SPEC.# S-SN-002, FOR HALOGEN FREE PRODUCTS, ALSO NEED TO MEET S-SN-004.
产品材料环保标准为Amphenol SSN#002,如果是无卤产品需满足标准SSN#004
- ORDER P/N SYSTEM/产品料号编码系统: 12401826XX12A

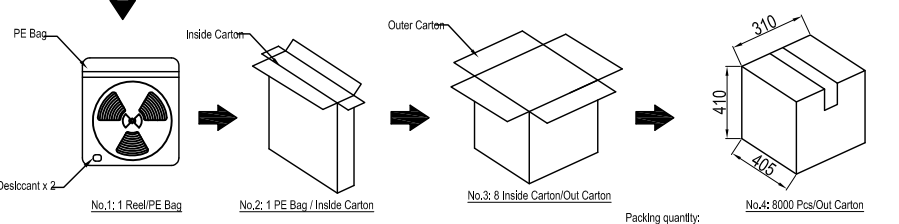
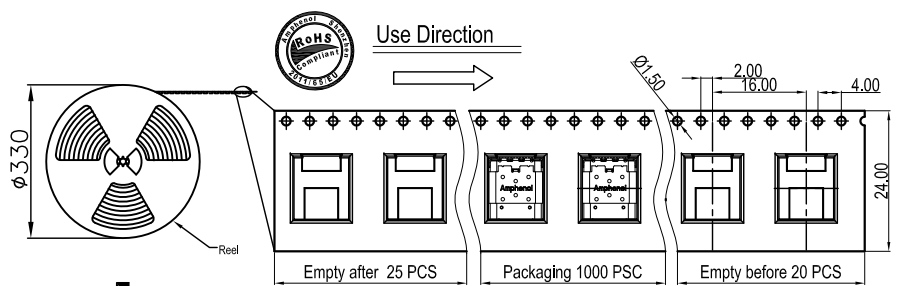
Plating Spec:

E2: Mating Area: Gold flash
Solder Area: 100u" Min Matte Tin
50u"Min Nickel Under Plating Over All

E3: Mating Area: Au 15u" Min
Solder Area: 100u" Min Matte Tin
50u"Min Nickel Under Plating Over All

E4: Mating Area: Au 30u" Min
Solder Area: 100u" Min Matte Tin
50u"Min Nickel Under Plating Over All

A:HF
Package Spec.
2:Reel
Date Code Description
0:Without D/C
1:With D/C



ITEM	DESCRIPTION	Q'TY	MATERIAL	
7	EMC	2	STAINLESS STEEL	NICKEL: 50U" MIN
6	MID PLATE	1	STAINLESS STEEL	NICKEL: 50U" MIN
5	OUT SHELL	1	STAINLESS STEEL	NICKEL: 50U" MIN
4	MAIN SHELL	1	STAINLESS STEEL	SOLDER NICKEL: 50U" MIN
3	BOTTOM TERMINAL	1	COPPER ALLOY	SEE NOTES
2	TOP TERMINAL	1	COPPER ALLOY	SEE NOTES
1	MOLDING HOUSING	1	HIGH TEMPERATURE PLASTIC	BLACK

BILL OF MATERIAL

UNLESS OTHERWISE SPECIFIED TOLERANCES		APPROVAL		DATE
DRAWN	Fat.Wu	02/18/20		
CHECKED	Welson.Liu	02/18/20		
CHECKED				
DRAWING FILE : R0DC:Engineering data/RD.L:程图/陈/李		TITLE		
FOR MATERIALS AND FINISHES SEE NOTES		USB 3,1 GEN2, Type C connector, R/A, Top mount, Double SMT type, CH=1.58mm		
REMOVE SHARP EDGES		ANGLE OF PROJECTION		SIZE
DIMENSIONS		DRAWING NO.		REV.
U.S.	INCHES	C 12401826		2
(METRIC)	(MM)	SCALE	NONE	SHEET 2 OF 2

