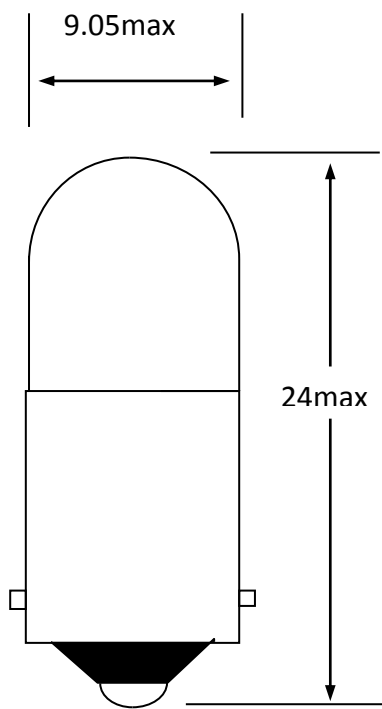


# PRODUCT DATA SHEET

Part Number: 00000249

Type	Size	Rating	Description
Incandescent	T9	24V 4W	Single Contact Bayonet Lamp



Dimensions in millimetres

TEST VOLTS	Current (mA) @			LIGHT OUTPUT (Lm) @			LIFE Hours
	Min.	Nom.	Max.	Min.	Nom.	Max.	
28	-	170	-	-	30	-	-

Notes:

- 1 **Base Type** BA9s Nickel plated brass
- 2 **Filament Shape** C-2V
- 3 **Lamp Marking** 24V 4W with E marking
- 4 **Environmental** RoHS & REACH SVHC compliant