

RF / Coaxial Connector

MMCX Coaxial, Right Angle Plug

multicomp PRO



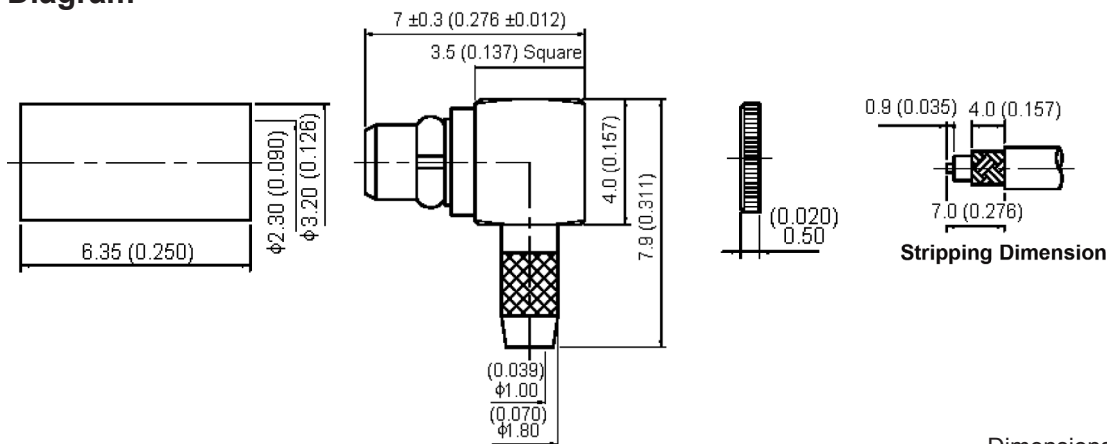
Specifications

Bodies : Brass per JIS-C3604.
 Centre Contact : Beryllium copper per ASTM B196 UNS C17300.
 Insulation : PTFE per ASTM D1457 and ASTM D1710.
 Crimp Ferrule : Brass per JIS-C2700.
 Connector interface per BS EN 122340.
 Part to be clean and free of burrs.

Specification Table

No.	Description	Material	Finish
1	Crimp Ferrule	Brass	Gold
2	Washer	Beryllium copper	Gold 3µ" Min.
3	Insulation	PTFE	None
4	Centre Contact	Brass	Gold 30µ" Min.
5	Body I		Gold 3µ" Min.
6	Body II		
7	Cap		

Diagram



Dimensions : Millimetres (Inches)

Part Number Table

Description	Part Number
RF / Coaxial Connector, MMCX Coaxial, Right Angle Plug, Crimp, 50Ω	37-02M-5-TGG

Important Notice : This data sheet and its contents (the "Information") belong to the members of the AVNET group of companies (the "Group") or are licensed to it. No licence is granted for the use of it other than for information purposes in connection with the products to which it relates. No licence of any intellectual property rights is granted. The Information is subject to change without notice and replaces all data sheets previously supplied. The Information supplied is believed to be accurate but the Group assumes no responsibility for its accuracy or completeness, any error in or omission from it or for any use made of it. Users of this data sheet should check for themselves the Information and the suitability of the products for their purpose and not make any assumptions based on information included or omitted. Liability for loss or damage resulting from any reliance on the Information or use of it (including liability resulting from negligence or where the Group was aware of the possibility of such loss or damage arising) is excluded. This will not operate to limit or restrict the Group's liability for death or personal injury resulting from its negligence. Multicomp Pro is the registered trademark of Premier Farnell Limited 2019.

Newark.com/multicomp-pro
 Farnell.com/multicomp-pro
 Element14.com/multicomp-pro

multicomp PRO