

+/-50G V OUT 1 AXIS ACCELEROMETER ✓ ACTIVE

MEAS | MEAS 805

TE Part # 805M1-0050-01

TE Internal #: 805M1-0050-01

TO-5 3-WIRE VOLTAGE OUTPUT ACCELEROMETER

[View on TE.com >](#)



Sensors > Vibration Sensors > Embedded Accelerometers > TO-5 3-WIRE VOLTAGE OUTPUT ACCELEROMETER



Acceleration Range (\pm): 50 g

Frequency Response: 1 to 8000 Hz

Accelerometer Type: 3-Wire Voltage

Number of Axes: 1

Sensitivity: 40 mV/g

[All TO-5 3-WIRE VOLTAGE OUTPUT ACCELEROMETER \(6\)](#)

Features

Product Type Features

Accelerometer Type	3-Wire Voltage
Sensor Type	AC Response Embedded Accelerometers

Electrical Characteristics

Excitation Voltage	3 – 5.5 VDC
Full Scale Output Voltage	± 2 VDC

Signal Characteristics

Frequency Response	1 to 8000 Hz
--------------------	--------------

Body Features

Material	Stainless Steel
Weight	5 g [.17 oz]
Number of Axes	1

Mechanical Attachment

Mounting Type	Screw Mount
---------------	-------------

Usage Conditions

Operating Temperature Range	-40 – 100 °C [-40 – 212 °F]
-----------------------------	-----------------------------

Other



Nonlinearity	±1 %FSO
Acceleration Range (±)	50 g
Sensitivity	40 mV/g

Product Compliance

[For compliance documentation, visit the product page on TE.com>](#)

EU RoHS Directive 2011/65/EU	Not Yet Reviewed
EU ELV Directive 2000/53/EC	Not Yet Reviewed
China RoHS 2 Directive MIIT Order No 32, 2016	Not reviewed for China RoHS compliance
EU REACH Regulation (EC) No. 1907/2006	Current ECHA Candidate List: JAN 2019 (197) Not Yet Reviewed
Halogen Content	Not Yet Reviewed for halogen content
Solder Process Capability	Not reviewed for solder process capability

Product Compliance Disclaimer

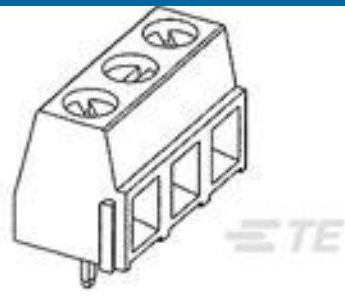
This information is provided based on reasonable inquiry of our suppliers and represents our current actual knowledge based on the information they provided. This information is subject to change. The part numbers that TE has identified as EU RoHS compliant have a maximum concentration of 0.1% by weight in homogenous materials for lead, hexavalent chromium, mercury, PBB, PBDE, DBP, BBP, DEHP, DIBP, and 0.01% for cadmium, or qualify for an exemption to these limits as defined in the Annexes of Directive 2011/65/EU (RoHS2). Finished electrical and electronic equipment products will be CE marked as required by Directive 2011/65/EU. Components may not be CE marked. Additionally, the part numbers that TE has identified as EU ELV compliant have a maximum concentration of 0.1% by weight in homogenous materials for lead, hexavalent chromium, and mercury, and 0.01% for cadmium, or qualify for an exemption to these limits as defined in the Annexes of Directive 2000/53/EC (ELV). Regarding the REACH Regulations, TE's information on SVHC in articles for this part number is still based on the European Chemical Agency (ECHA) 'Guidance on requirements for substances in articles' (Version: 2, April 2011), applying the 0.1% weight on weight concentration threshold at the finished product level. TE is aware of the European Court of Justice ruling of September 10th, 2015 also known as O5A (Once An Article Always An Article) stating that, in case of 'complex object', the threshold for a SVHC must be applied to both the product as a whole and simultaneously to each of the articles forming part of its composition. TE has evaluated this ruling based on the new ECHA "Guidance on requirements for substances in articles" (June 2017, version 4.0) and will be updating its statements accordingly.

Also in the Series | MEAS 805



Embedded Accelerometers (15)

Customers Also Bought



TE Part #282838-2
TERMI-BLOK PCB
MOUNT 90 2P.



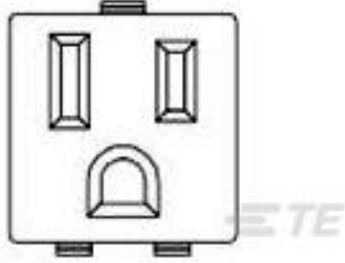
TE Part #1-1734328-2
Mini USB AB R/A,Rcpt,
SMT,T&R, 0.6mm



TE Part #1-2301994-2
RJ45 JACK INT.MAG. 1GB
LED 1X1



TE Part #3-1971793-1
NEW GI CONN2.5 PLUG
HSG 3P NC



TE Part #1-208979-2
CONV OUTLET
ASSEMBLY (ORANGE)



TE Part #4-2176326-3
CRGP 0603 33K 1%

Documents

[Datasheets & Catalog Pages](#)

[805M1_Accelerometer](#)

English

Mouser Electronics

Authorized Distributor

Click to View Pricing, Inventory, Delivery & Lifecycle Information:

[TE Connectivity:](#)

[805M1-0050-01](#)