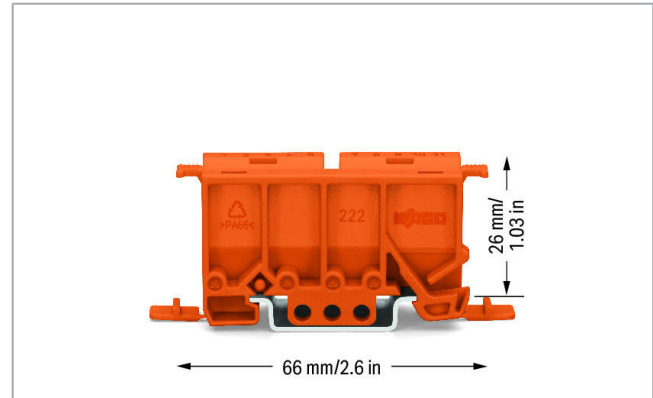


Data sheet | Item number: 222-500

Mounting carrier; 222 Series; for DIN-35 rail mounting/screw mounting;  
orange



[www.wago.com/222-500](http://www.wago.com/222-500)



RoHS  
Compliant ✓

[BOMcheck.net](https://www.bomcheck.net)

Color: ■



Data

Physical data

Width	22 mm / 0.866 inch
Height from upper-edge of DIN-rail	26 mm / 1.024 inch
Depth	66 mm / 2.598 inch

Subject to changes. Please also observe the further product documentation!

WAGO Kontakttechnik GmbH & Co. KG  
Hansastr. 27  
32423 Minden  
Phone: +49571 887-0 | Fax: +49571 887-169  
Email: [info.de@wago.com](mailto:info.de@wago.com) | Web: [www.wago.com](http://www.wago.com)

Do you have any questions about our products?  
We are always happy to take your call at +49 (571) 887-44222.

## Mechanical data

Mounting type	DIN-35 rail Screw mount
Suitable	für 2-, 3-, 5-Leiter-Ex-Verbindungsklemmen (6 mm <sup>2</sup> ) der Serie 221

## Material data

Color	orange
Fire load	0.326 MJ
Weight	10.9 g

## Commercial data

Product Group	7 (Push Wire Conn.)
Packaging type	BOX
Country of origin	CN
GTIN	4045454714765
Customs tariff number	39269097900

## Compatible products

### Marking accessories



**Item no.: 210-834**  
Marking strips; on reel; 5 mm wide; plain; Self-adhesive; white

[www.wago.com/210-834](http://www.wago.com/210-834)

### Mounting adapter



**Item no.: 222-505**  
Strain relief plate; for mounting carrier; 221 or 222 Series, can be snapped

[www.wago.com/222-505](http://www.wago.com/222-505)



**Item no.: 222-510**  
Angled DIN-rail adapter; in combination with mounting carrier; 221-500 or 222-500; for DIN-35 rail mounting; gray

[www.wago.com/222-510](http://www.wago.com/222-510)

## Downloads

### Documentation

#### Bid Text

222-500 doc - Datei	2017-05-19	doc 24.1 kB	Download
222-500 X81 - Datei	2019-02-19	xml 2.8 kB	Download

Subject to changes. Please also observe the further product documentation!

## CAD/CAE-Data

### CAD data

2D/3D Models 222-500	<a href="#">URL</a>	<a href="#">Download</a>
----------------------	---------------------	--------------------------

### CAE data

EPLAN Data Portal 222-500	<a href="#">URL</a>	<a href="#">Download</a>
---------------------------	---------------------	--------------------------

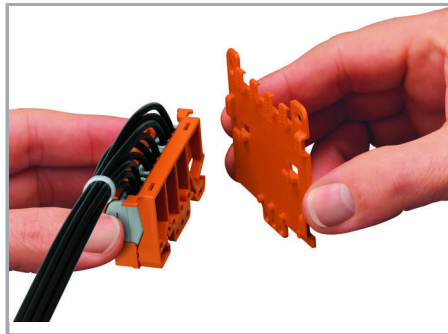
WSCAD Universe 222-500	<a href="#">URL</a>	<a href="#">Download</a>
------------------------	---------------------	--------------------------

ZUKEN Portal 222-500	<a href="#">URL</a>	<a href="#">Download</a>
----------------------	---------------------	--------------------------

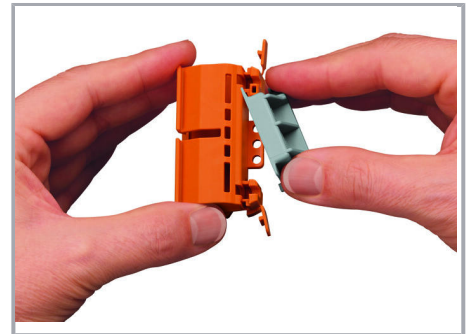
## Installation Notes



Snapping the lateral connector safety lock onto the mounting carrier.

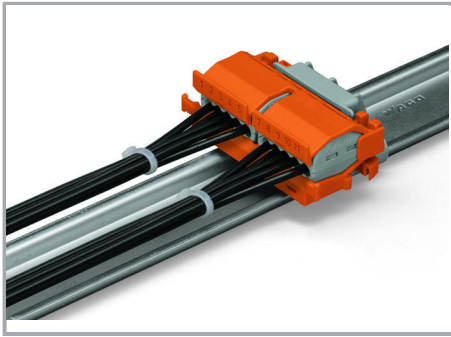


Securing a strain relief plate (222-505) to the mounting carrier.

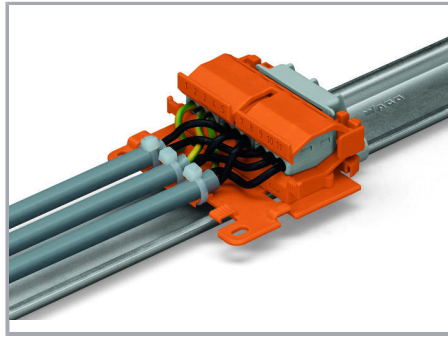


Snapping the angled DIN-rail adapter (222-510) onto the mounting carrier.

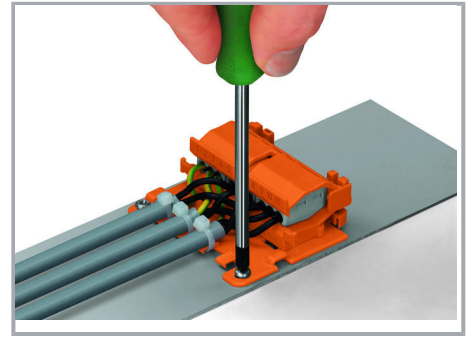
Subject to changes. Please also observe the further product documentation!



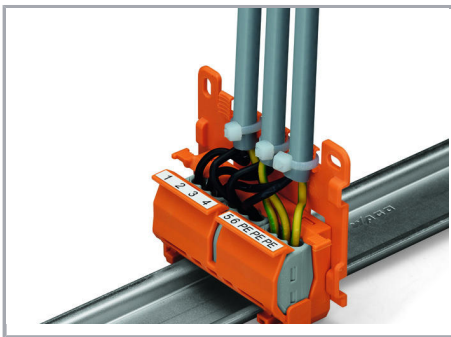
Horizontal mounting on DIN-35 rail using an angled DIN-rail adapter.



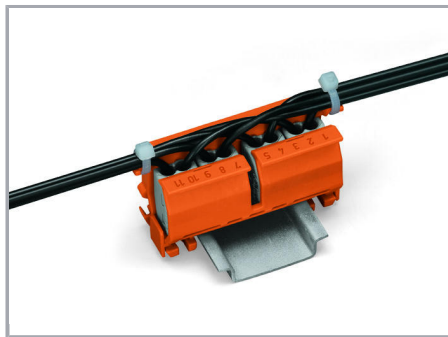
Horizontal mounting on DIN-35 rail using an angled DIN-rail adapter



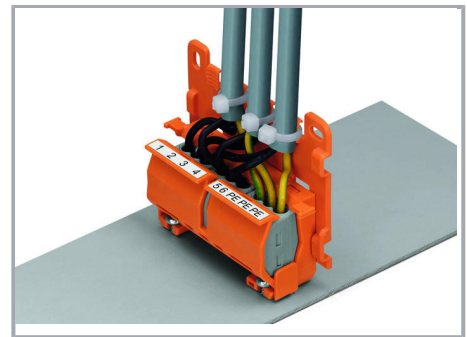
Horizontal screw mounting with strain relief plate on a flat surface



Vertical mounting with strain relief plate on DIN-35 rail;  
Marking clamping units via marking strips.



Strain relief via cable ties on the mounting carrier (transverse to the connectors' wiring direction);  
Molded marking clamping units



Mounting carrier with strain relief plate mounted vertically on a plate;  
Round cable secured via strain relief lug.

Subject to changes. Please also observe the further product documentation!