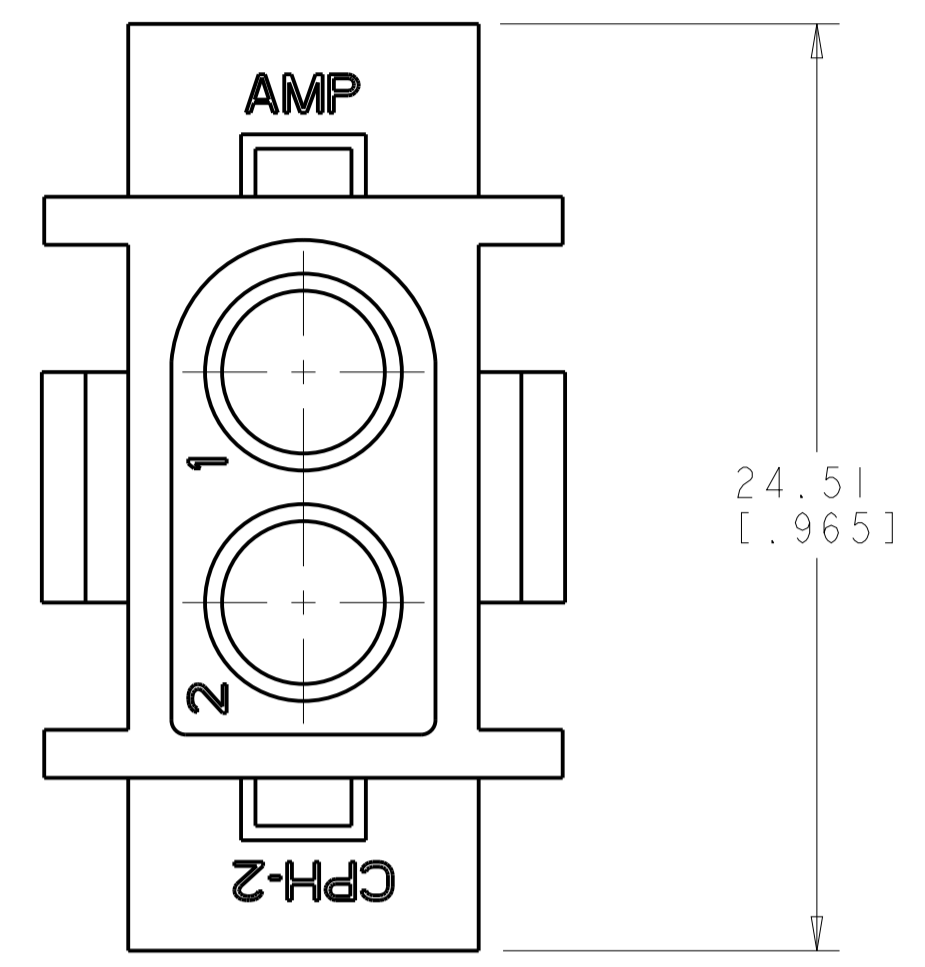
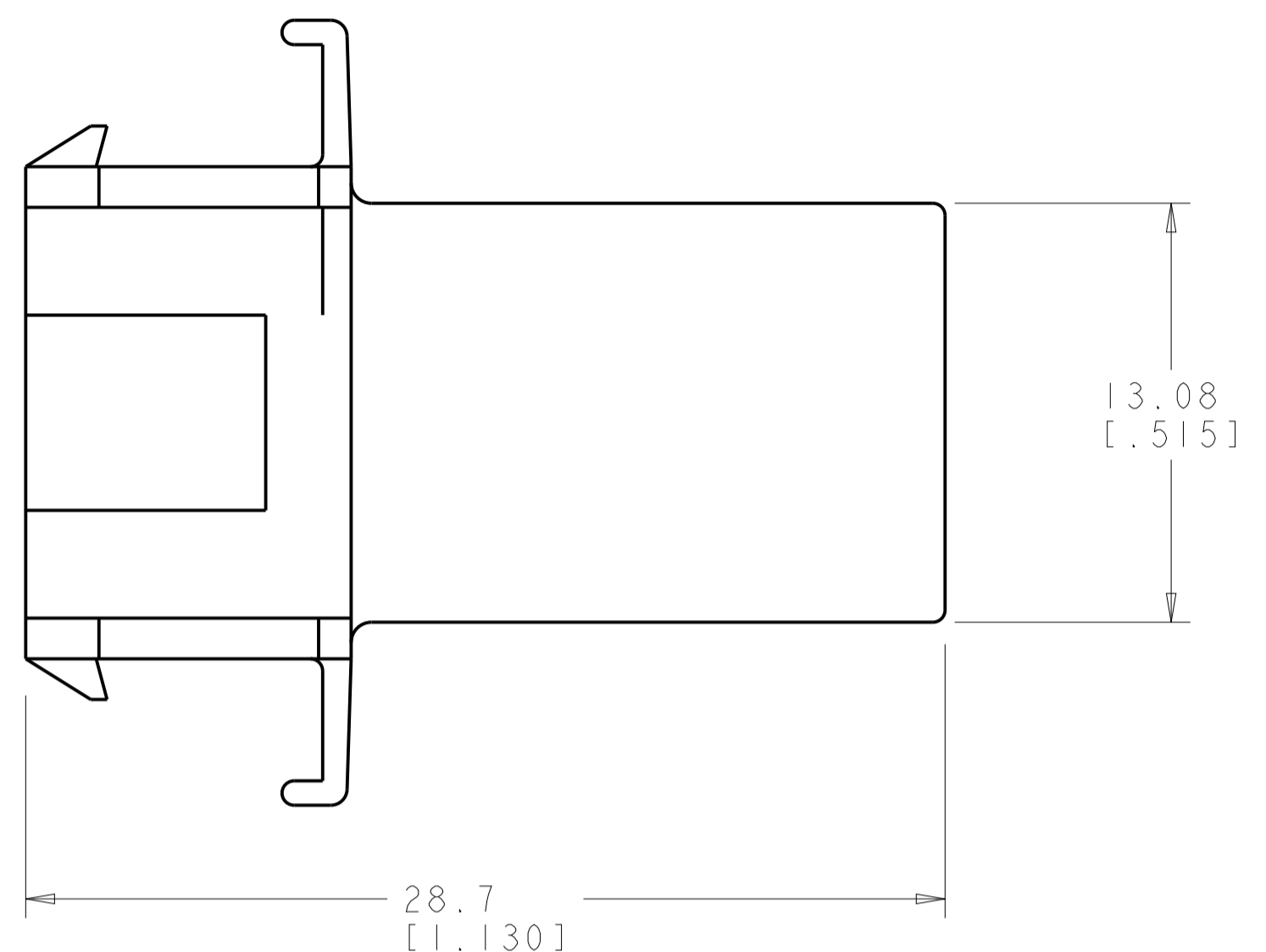
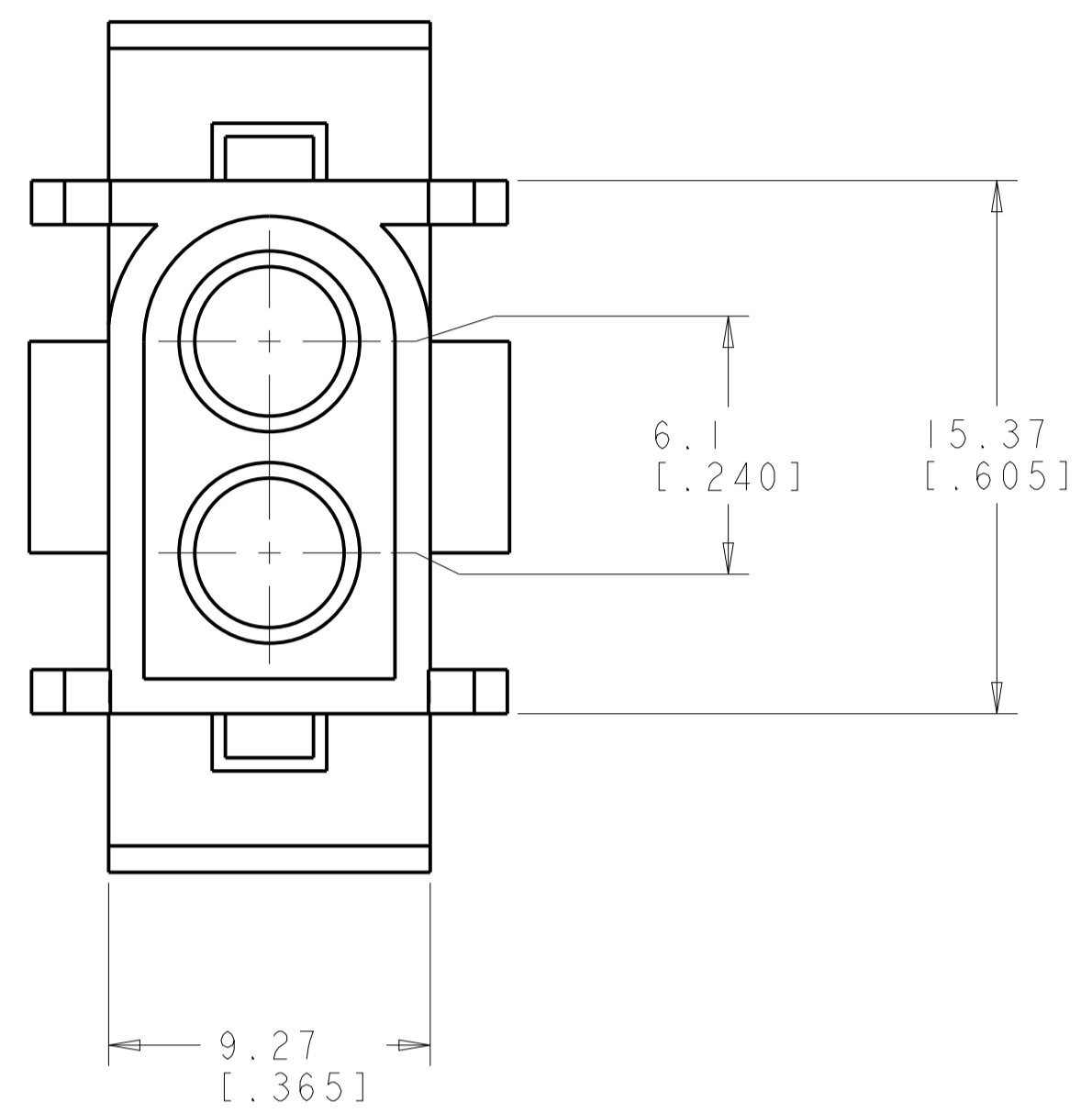
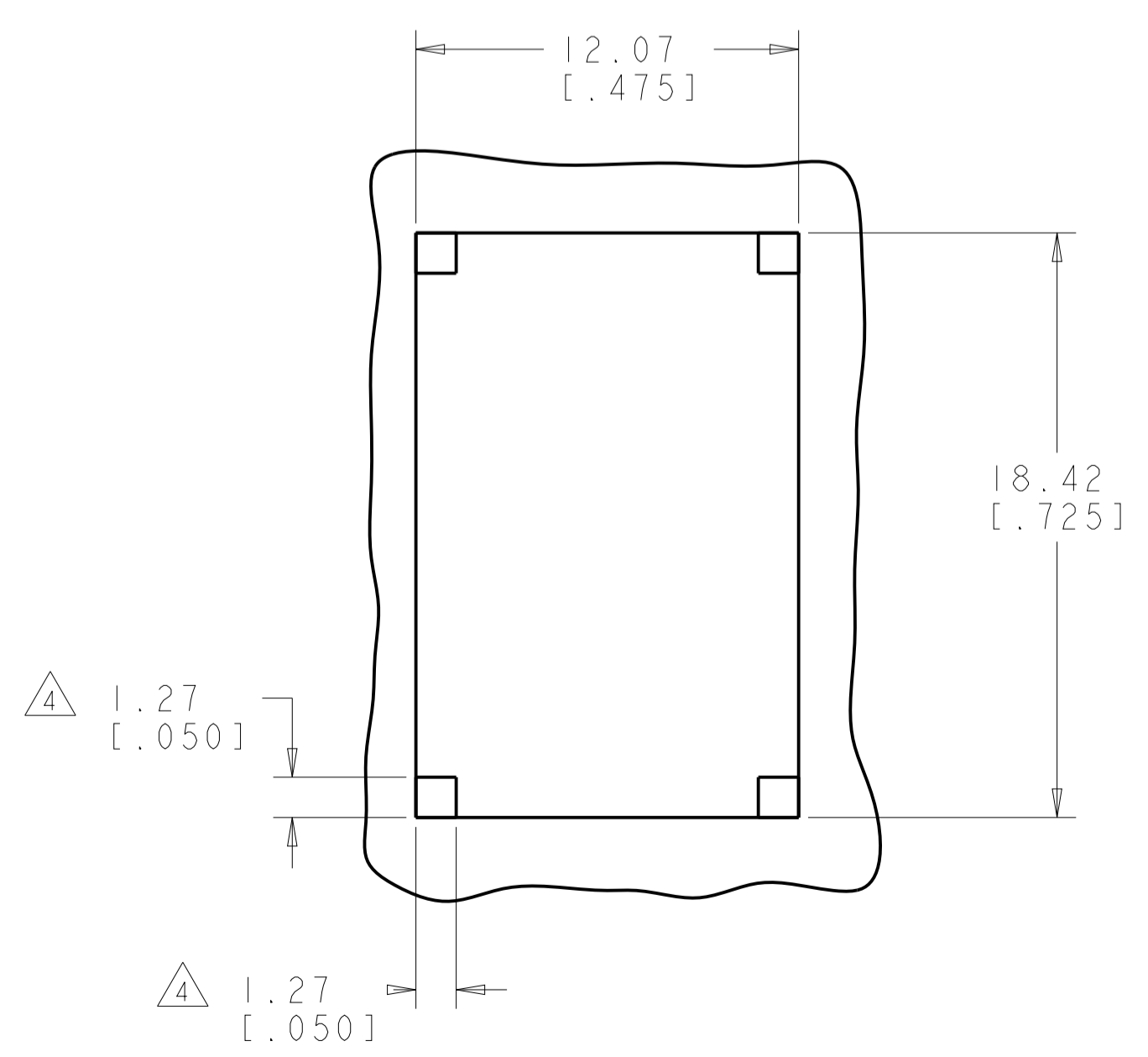
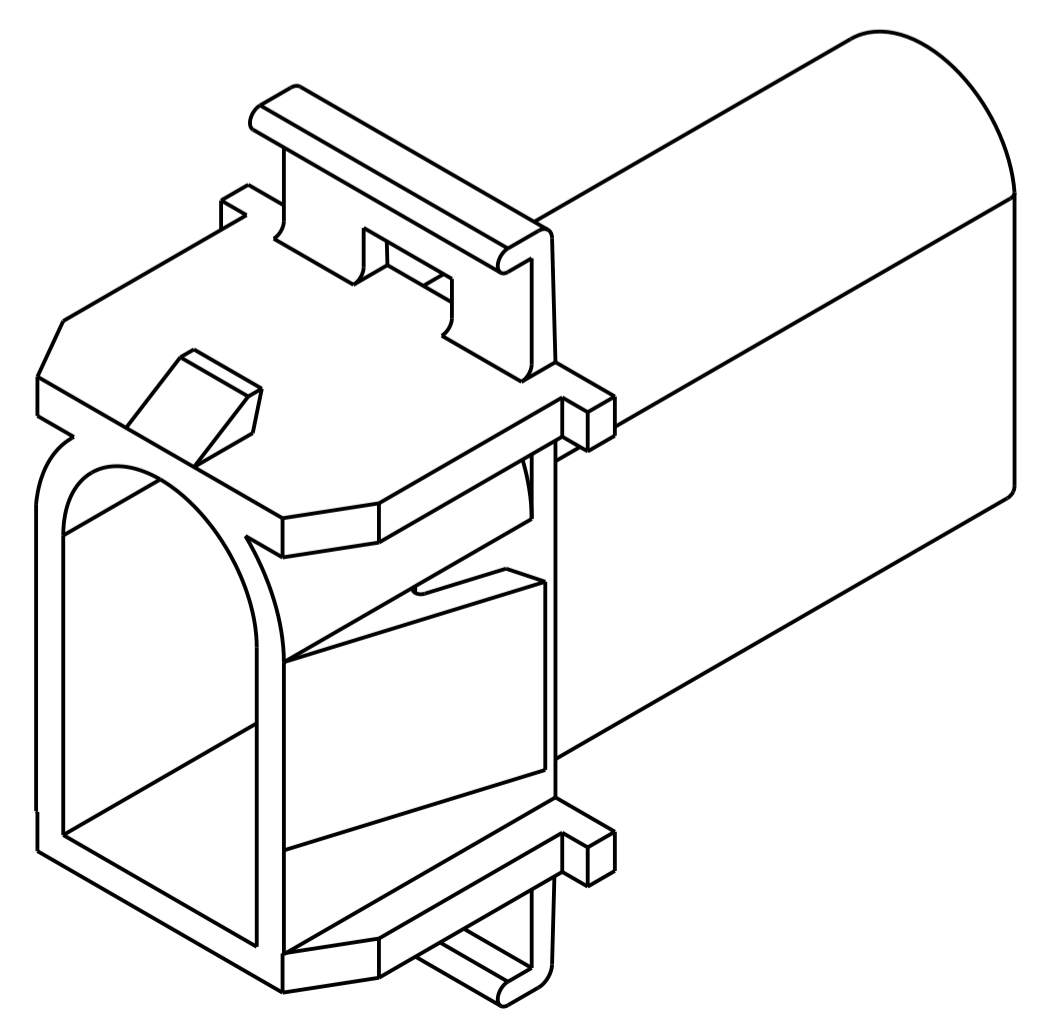
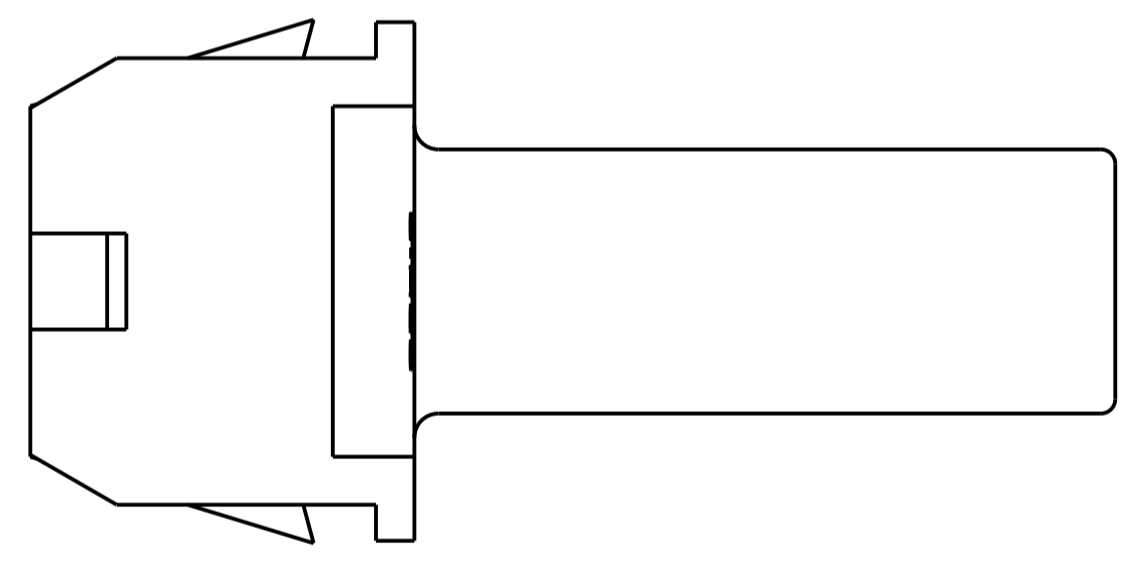


LOC	DIST	REVISIONS					
CM	00	P	LTH	DESCRIPTION	DATE	DWN	APVD
		E1		REVISED PER ECO-11-005027	16MAR2011	RK	HMR
		E2		REVISED PER ECR-21-101087	29APR2021	PJ	VS



1. NOTE DELETED.
 2. ACCEPTS .140 SERIES PINS.
 3. MATES WITH PLUG 350344.
- ⚠ 1.27 x 1.27 [.050 x .050] TABS IN CORNERS OF CUT-OUT ARE OPTIONAL TO REDUCE FLOAT IN PANEL.



RECOMMENDED PANEL CUT-OUT,
PANEL THICKNESS 0.76-1.65 [.030-.065]

OBSOLETE	0.098 IN ³	GRAY	1-350345-0
	0.098 IN ³	NATURAL	1-350345-0
	VOLUME	COLOR	PART NUMBER



THIS DRAWING IS A CONTROLLED DOCUMENT.		DWN R. WHITAKER 18APR2007	TE Connectivity	
DIMENSIONS: mm [INCHES]		CHK C. CASH 18APR2007	CAP, 2 CIRCUIT, .140 MATE-N-LOK(TM)	
TOLERANCES UNLESS OTHERWISE SPECIFIED:		APVD C. CASH 18APR2007	SIZE A100779C=350345	
0 PLC ±	1 PLC ±	PRODUCT SPEC	RESTRICTED TO	
2 PLC ±0.13 [.005]	3 PLC ±	APPLICATION SPEC	SCALE 5:1 SHEET 1 OF 1 REV E2	
4 PLC ±	ANGLES ±40°30'	WEIGHT	CUSTOMER DRAWING	
MATERIAL NYLON	FINISH			

Mouser Electronics

Authorized Distributor

Click to View Pricing, Inventory, Delivery & Lifecycle Information:

[TE Connectivity:](#)

[1-350345-0](#)