

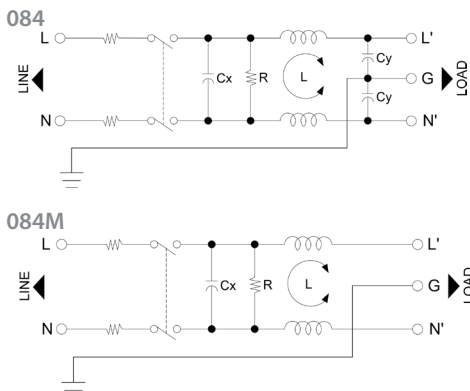
084(M)

FILTERED POWER ENTRY MODULES WITH DOUBLE FUSE HOLDER AND SWITCH (GENERAL PURPOSE & MEDICAL)

FEATURES

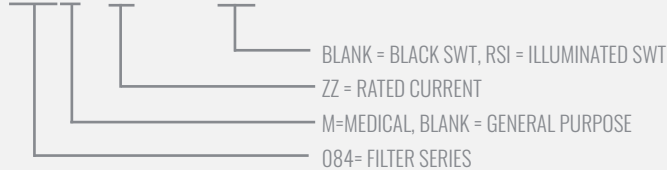
- » Rated currents include **1A, 3A, 6A, and 10A**
- » Single Stage
- » Available with quick disconnect tabs and wire leads options
- » General Purpose & Low Leakage (M)edical options
- » Compact integrated power entry module with two safety fuses (on line and neutral) and on/off switch
- » Easy to use and install
- » Agency Approved to *UL and EN 60939, CSA C22.2*
- » Y-cap value can be adjusted

ELECTRICAL SCHEMATIC



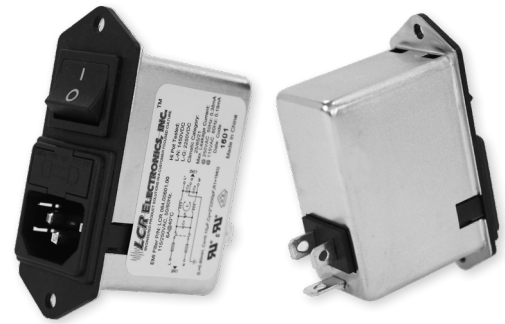
HOW TO ORDER

084M.0ZZ01.00-RS1



NOTE: USE ANY COMBINATOR OF **M, ZZ** AND **T**

E.G. **084.00601.00-RS1** (6A GENERAL PURPOSE VERSION WITH ILLUMINATED SWITCH) | **084M.01001.00** (10A LOW LEAKAGE MEDICAL VERSION)



SPECIFICATIONS

| | |
|------------------------|-----------------------------|
| OPERATING FREQUENCY | 50/60Hz |
| IEC INLET | C14 |
| MAX. OPERATING VOLTAGE | 250VAC +10% |
| CLIMATIC CATEGORY | 25/85/21 |
| TERMINALS (-T) | 0.25" TABS W: WIRE LEADS |
| TYP. WEIGHT, LBS (KG) | 0.19 (0.08) |

TYPICAL LEAKAGE CURRENT 080

| | |
|-----------------|------------------|
| @ 250 VAC 50 Hz | 0 - 0.42 mA Max. |
| @ 115 VAC 60 Hz | 0 - 0.23 mA Max. |

TYPICAL LEAKAGE CURRENT 080M

| | |
|-----------------|---------------|
| @ 250 VAC 50 Hz | 0 - 10uA Max. |
| @ 115 VAC 60 Hz | 0 - 5uA Max. |

HIPOT RATINGS

| | |
|----------------|----------|
| LINE TO LINE | 1450 VDC |
| LINE TO GROUND | 2250 VDC |

TYPICAL APPLICATIONS

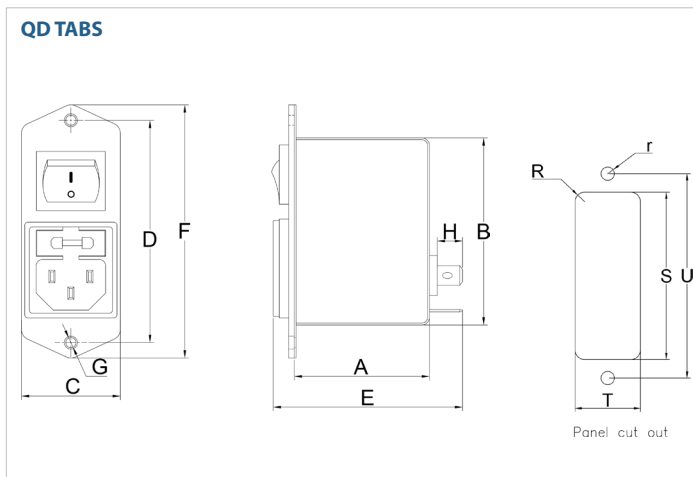
- ✓ Household appliances and equipment
- ✓ Small medical equipment
- ✓ Portable electrical and electronic equipment
- ✓ Test and measurement/lab equipment
- ✓ Rack mounted equipment

084(M)

FILTERED POWER ENTRY MODULES WITH DOUBLE FUSE HOLDER AND SWITCH (GENERAL PURPOSE & MEDICAL)

| MODEL NO. | RATED CURRENT, A @ 40° C | TERMINAL OPTIONS | APPLICATION PURPOSE | | MAX. DIMENSIONS" (MM) | | |
|-------------------|--------------------------|------------------|---------------------|---------|-----------------------|-----------|-----------|
| | | (QD) OUTPUT | GENERAL | MEDICAL | WIDTH | (LENGTH) | HEIGHT |
| 084.00101.00 | 1 | ✓ | ✓ | | 2.39"(61) | 1.72"(44) | 1.26"(32) |
| 084.00101.00-RSI | 1 | ✓ | ✓ | | 2.39"(61) | 1.72"(44) | 1.26"(32) |
| 084.00301.00 | 3 | ✓ | ✓ | | 2.39"(61) | 1.72"(44) | 1.26"(32) |
| 084.00301.00-RSI | 3 | ✓ | ✓ | | 2.39"(61) | 1.72"(44) | 1.26"(32) |
| 084.00601.00 | 6 | ✓ | ✓ | | 2.39"(61) | 1.72"(44) | 1.26"(32) |
| 084.00601.00-RSI | 6 | ✓ | ✓ | | 2.39"(61) | 1.72"(44) | 1.26"(32) |
| 084.01001.00 | 10 | ✓ | ✓ | | 2.39"(61) | 1.72"(44) | 1.26"(32) |
| 084.01001.00-RSI | 10 | ✓ | ✓ | | 2.39"(61) | 1.72"(44) | 1.26"(32) |
| 084M.00101.00 | 1 | ✓ | | ✓ | 2.39"(61) | 1.72"(44) | 1.26"(32) |
| 084M.00101.00-RSI | 1 | ✓ | | ✓ | 2.39"(61) | 1.72"(44) | 1.26"(32) |
| 084M.00301.00 | 3 | ✓ | | ✓ | 2.39"(61) | 1.72"(44) | 1.26"(32) |
| 084M.00301.00-RSI | 3 | ✓ | | ✓ | 2.39"(61) | 1.72"(44) | 1.26"(32) |
| 084M.00601.00 | 6 | ✓ | | ✓ | 2.39"(61) | 1.72"(44) | 1.26"(32) |
| 084M.00601.00-RSI | 6 | ✓ | | ✓ | 2.39"(61) | 1.72"(44) | 1.26"(32) |
| 084M.01001.00 | 10 | ✓ | | ✓ | 2.39"(61) | 1.72"(44) | 1.26"(32) |
| 084M.01001.00-RSI | 10 | ✓ | | ✓ | 2.39"(61) | 1.72"(44) | 1.26"(32) |

084(M) MECHANICAL OUTLINES (MM)



| SERIES | (A) | B | C | D | E | F | G | H | U | S | T | R | r |
|--------------------|---------------|---------------|---------------|---------------|---------------|---------------|-------|--------------|---------------|---------------|---------------|--------------|--------------|
| QD TABS (A) | 1.72" (44) | 2.39" (61) | 1.26" (32) | 2.83" (72) | 2.40" (61) | 3.23" (82) | 2*4.0 | 0.35" (9) | 2.83" (72) | 2.40" (61) | 1.18" (30) | 0.10" (3) | 0.17" (4) |

TYPICAL TOLERANCE: +/-0.02" (0.50MM)

084(M)

FILTERED POWER ENTRY MODULES WITH DOUBLE FUSE HOLDER AND SWITCH
(GENERAL PURPOSE & MEDICAL)

TYPICAL INSERTION LOSS, dB (50/50 Ohm)

084 INSERTION LOSS

| Amps | Freq (MHz) | 0.15 | 0.5 | 1 | 10 | 30 |
|------|------------|------|------|------|------|------|
| 1 | CM (dB) | 41.0 | 53.0 | 56.0 | 55.0 | 50.0 |
| | DM (dB) | 18.0 | 28.0 | 32.0 | 50.0 | 50.0 |
| 3 | CM (dB) | 37.0 | 49.0 | 51.0 | 50.0 | 50.0 |
| | DM (dB) | 18.0 | 28.0 | 32.0 | 50.0 | 50.0 |
| 6 | CM (dB) | 25.0 | 35.0 | 38.0 | 48.0 | 45.0 |
| | DM (dB) | 18.0 | 28.0 | 32.0 | 50.0 | 50.0 |
| 10 | CM (dB) | 18.0 | 26.0 | 28.0 | 42.0 | 40.0 |
| | DM (dB) | 18.0 | 28.0 | 32.0 | 50.0 | 50.0 |

084M INSERTION LOSS

| Amps | Freq (MHz) | 0.15 | 0.5 | 1 | 10 | 30 |
|------|------------|------|------|------|------|------|
| 1 | CM (dB) | 41.0 | 49.0 | 51.0 | 27.0 | 17.0 |
| | DM (dB) | 18.0 | 28.0 | 32.0 | 50.0 | 50.0 |
| 3 | CM (dB) | 37.0 | 45.0 | 43.0 | 23.0 | 15.0 |
| | DM (dB) | 18.0 | 28.0 | 32.0 | 50.0 | 50.0 |
| 6 | CM (dB) | 25.0 | 31.0 | 33.0 | 23.0 | 15.0 |
| | DM (dB) | 18.0 | 28.0 | 32.0 | 50.0 | 50.0 |
| 10 | CM (dB) | 18.0 | 24.0 | 26.0 | 10.0 | 8.0 |
| | DM (dB) | 18.0 | 28.0 | 32.0 | 50.0 | 50.0 |

Mouser Electronics

Authorized Distributor

Click to View Pricing, Inventory, Delivery & Lifecycle Information:

Astrodyne TDI:

[084.00101.00](#) [084.01001.00](#) [084.00301.00](#) [084.00601.00](#) [084M.00101.00](#) [084M.01001.00](#) [084M.00301.00](#)
[084M.00601.00](#)